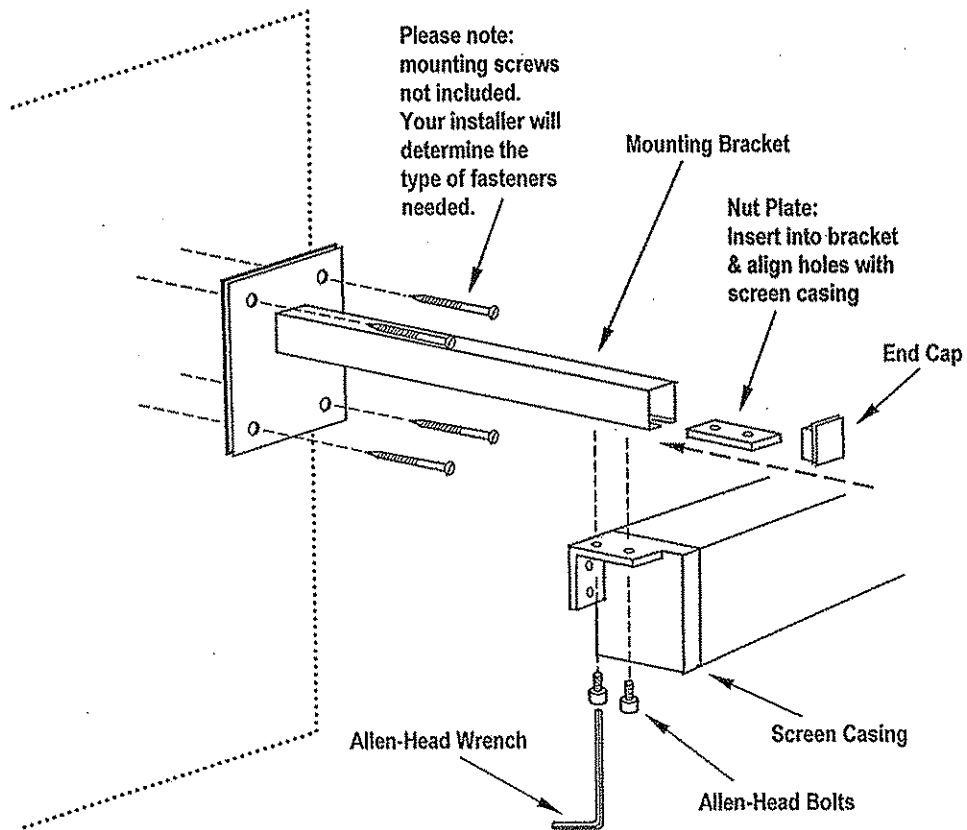


Installation & Operation Instructions

Electric Wall Projection Screens: 7088M 7000M 7022M

- Thank you for choosing a Bretford Screen.
- Bretford Screens with Matte White fabric are designed to give you a bright, sharp image from a wide variety of projectors.
- For your new electric screen, Bretford provides the appropriate wall brackets to attach your screen to the wall. If your screen is to be hung by any other method than indicated in these instructions, it must be adequately fixed, using suitable hardware.
- Hardware / fixings for attaching your screen to the wall or the ceiling are not included. Your installer has the responsibility to use the correct hardware.
- Protect your new Screen by keeping it rolled into the protective case when not in use. Always examine the surface for dust & dirt before retracting the fabric into the case. Carefully wipe clean with a soft cloth or duster.



Installation

- Locate your screen where the audience can best see it and where other furnishings in the room permit.
- Mount the screen so that the bottom of the fabric, when fully extended, is above the heads of the audience.
- Follow the installation instructions illustrated above.
- Bretford recommends using a qualified professional installer



BRET福德 11000 Seymour Avenue Franklin Park, IL 60131 P 800.521.9614 F 800.343.1779

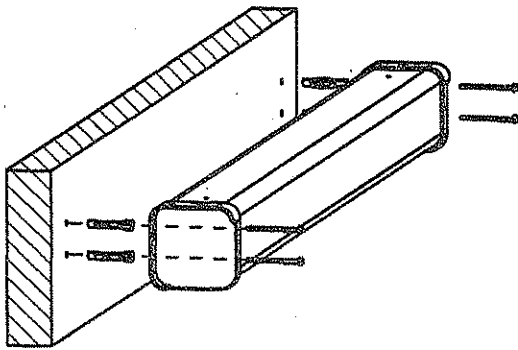
www.bretford.com

#031-7074

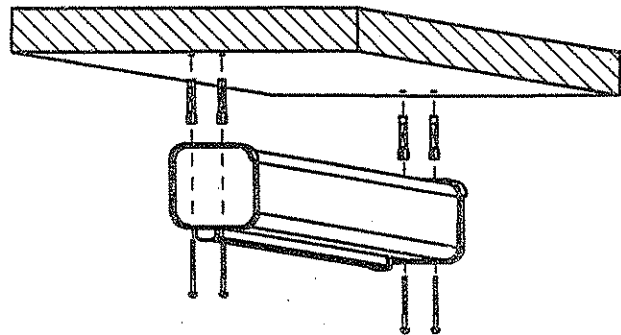
fisher 09/08

INSTALLATION INSTRUCTION

- Unpack the screen carefully, be sure the screen is in good condition, check all the accessories are packed inside the carton.
- Check the voltage and frequency marked on the screen is in accordance with the local power supply. It is suggested only to use the screens indoor under normal temperature and humidity.
- Refer the fig below to fix the screen to the wall or to the ceiling.



FIX THE SCREEN TO THE WALL



FIX THE SCREEN TO THE CEILING

VOLTAGE AND FREQUENCY

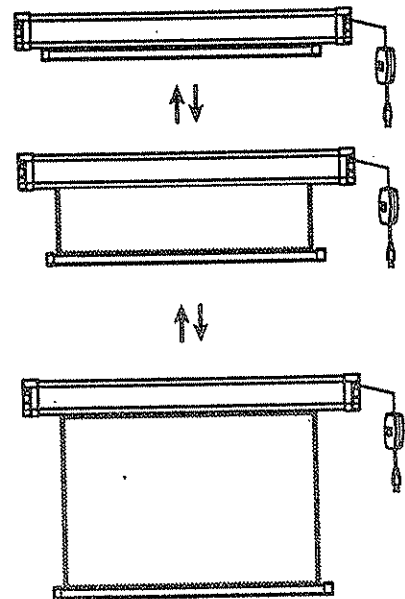
Choose the voltage according to the local requirement: 110V/60Hz or 220V/50Hz.

INSTALLATION NOTE

- Must be installed from direct sunlight.
- Proper ventilation place.
- Proper dampness.
- Clear place.
- Avoid violent jarring.
- Avoid the direct air current from air-condition, heater etc. Do not expose the screen in the High or Low temperature condition.

OPERATION INSTRUCTION

- Plug in the power supply. Press the down button of the switch box or the hand set, the screen will go down smoothly. Press the stop button when the screen goes down to the expected position, otherwise the screen will stop at the lower limited position automatically.
- Screen stop, but the screen size do not meet the right black borders, pull down the middle part of the slat bar smoothly and slowly.
- Press the up button of the switch or the hand set, the screen will go up smoothly. Press the stop button when the screen goes up to the expected position, otherwise the screen will roll back to the housing.



THE ATTENTION

- It's no good for over-operating screen which will break the useful life of screen.
- Do not pull the control wires which avoid disconnection and dangers.
- Keep the good connection of plug and power.
- Cut off the power supply when the screen won't be used for long time.

TROUBLE SHOOT

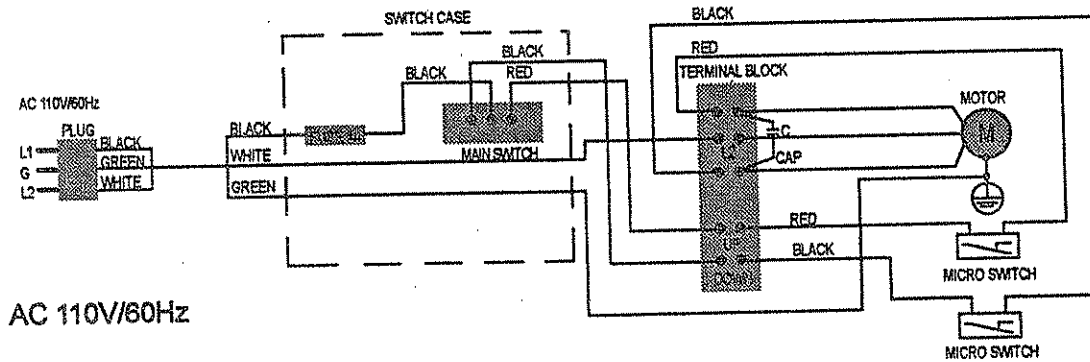
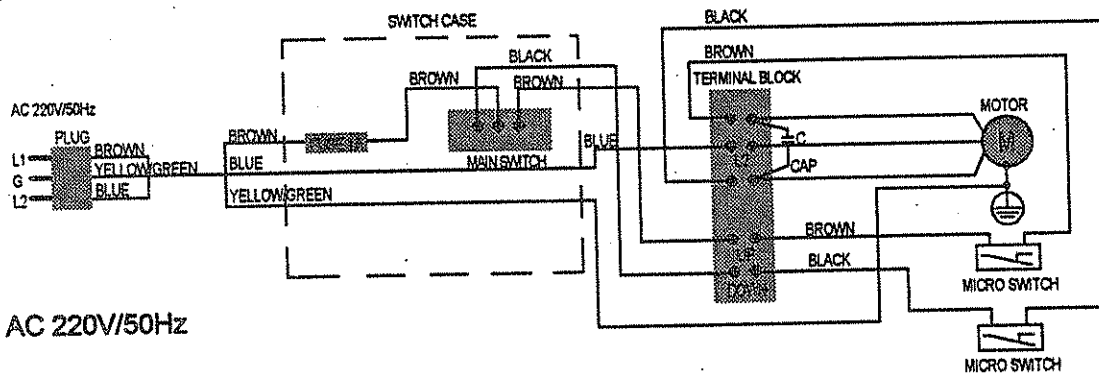
Always call qualified engineer for maintenance to avoid dangers. Always unplug the power supply first before disassemble the screen.

- Check power whether or not is provided.
- Check the fuse whether or not is broken.
- Check wire connection

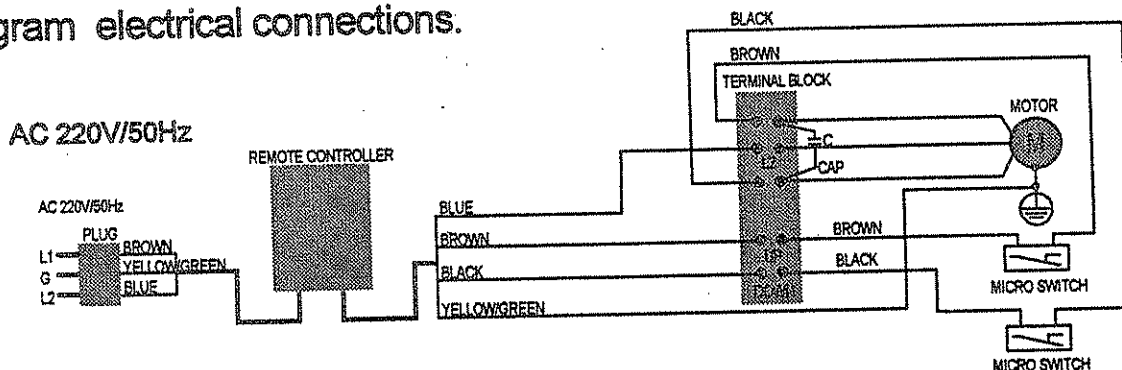
■ If remote control does not work well, please check the battery and replace new one.

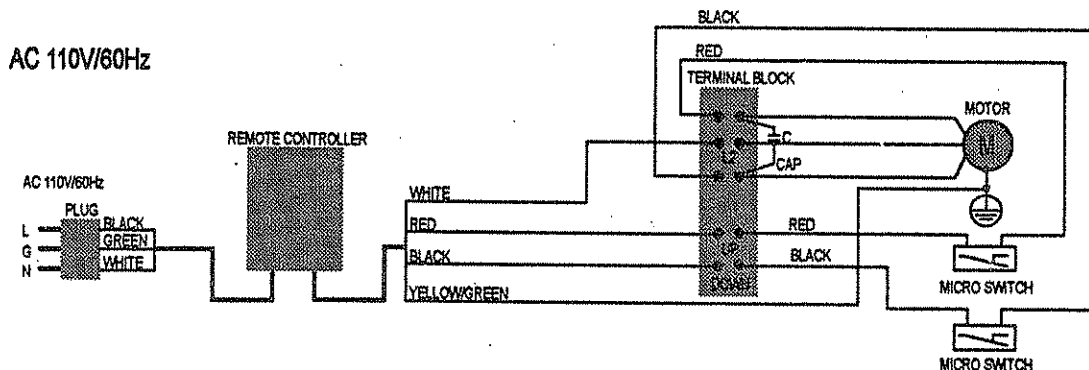
ELECTRIC CONNECTION

If your motorized screen with switch control, please refer the below diagram electrical connections.



If your motorized screen with remote control, please refer the below diagram electrical connections.





THE REMOTE CONTROLLER

TECHNICAL DATA

- Input: 230VAC±10% (50Hz) or 110VAC±10% (60Hz);
- Output current to motor :≤1A (230VAC or 110VAC);
- Code error rate: ≤ 1/1000000;
- Remote control distance:≤ 20m;
- Maximum effective handset for one screen:≤5pic
- Control signal: RF 433.92MHz; IR 38KHz
- Maximum effective time of one press button: 120's±2%
- Minimum effective time of one press button: 0.3's

OPERATION

- When screen plug in the power , LED indicator on remote control box will be lighted.
- Press Up button,you will hear "du". Screen will go up until to the maximum effective time .
- Press Down button ,you will hear"du". Screen will go down until to the maximum effective time.
- Press Stop button ,screen will stop.
- When screen is going up ,press Down button, screen will stop, press Down button again,Screen will go down, When screen is going down ,press up button , screen will stop. Press Up button again, screen will go up .
- If run time of motor is longer then the maximum effective time , controller will cut off the Power of motor.

SETTING

- Press the SETUP hole of remote control box for more than 6 seconds, after hearing "du du du". This remote control box is reset.
- Press the SETUP hole again, after hearing "du du" remote control box is in set up status.

≡≡≡ HANDEST LOCK

- ≡≡≡ In set up status, press Stop button of handset, after hearing "du du" the Up and Down buttons of handset will be locked.
- ≡≡≡ Press Stop button of handset again or screen plug in the power again, the Up and Down buttons of handset will be released.

≡≡≡ REMOTE CONTROL BOX LOCK

- ≡≡≡ In set up status, press Stop button of remote control box, after hearing "du du" the Up and Down buttons of remote control box will be locked.
- ≡≡≡ Press Stop button of remote control box again or screen plug in the power again, the Up and Down buttons of remote control box will be released.

≡≡≡ MATCHING

- ≡≡≡ In set up status, press up button of remote control box or an effective handset after hearing "du du" remote control box is matching status.
- ≡≡≡ Press any button of any handset that you want to match with this remote control box, after hearing "du—" this handset is matched with this remote control box. Then the remote control box is out of set up status; if no operation 8 seconds, then the remote control box is out of set up status.
- ≡≡≡ Maximum 5 handsets could be matched with one remote control box. Reenter the set up status and repeat the matching steps.

EXCHANGING THE UP AND DOWN BUTTON

- In set up status ,press Down button of remote control box or an effective handset , after hearing "du--du--"the Up and Down button function of handset and remote control box are exchanged.

MEMORY FUNCTION

SETTING

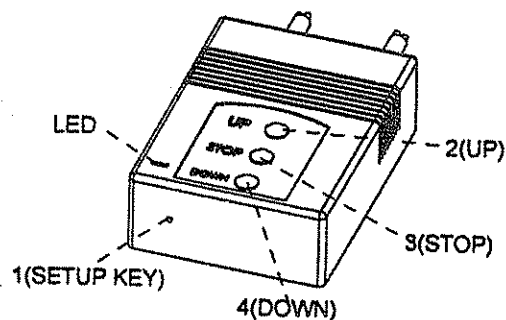
- Press Down button, screen will go down . when reaching to your required position , press Stop and Down button at the same time . screen will remember this position . later screen will stop at this position automatically.

CLEAR

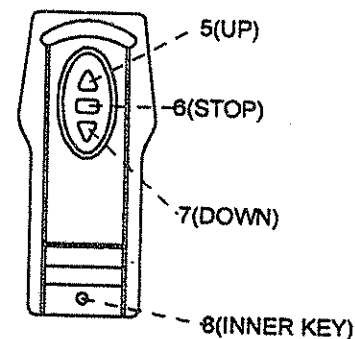
- Press Up and Down button at the same time clear the memory . screen will stop at the bottom position.

PROBLEM AND SOLUTION

- Remote control box not workable, LED indicator not light, check power supply , check fuse in the remote control box .
- Remote control box working well ,handset not working well , matching handset again or change new handset.
- Up and Down button on remote control box or handset not working well , Release the handset lock or remote control box lock.
- Screen could not go down to bottom position ,clear the memory.



REMOTE CONTROL BOX



HAND SET

Free Manuals Download Website

<http://myh66.com>

<http://usermanuals.us>

<http://www.somanuals.com>

<http://www.4manuals.cc>

<http://www.manual-lib.com>

<http://www.404manual.com>

<http://www.luxmanual.com>

<http://aubethermostatmanual.com>

Golf course search by state

<http://golfingnear.com>

Email search by domain

<http://emailbydomain.com>

Auto manuals search

<http://auto.somanuals.com>

TV manuals search

<http://tv.somanuals.com>