

# Illustrated Parts List

## Model Series

# 214700

TYPE NUMBERS  
0113, 0114.

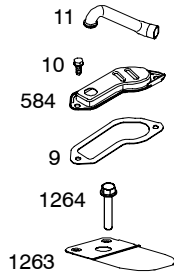
### TABLE OF CONTENTS

<b>Air Cleaner</b> .....	6
<b>Alternator</b> .....	9
<b>Blower Housing</b> .....	6
<b>Camshaft</b> .....	3
<b>Carburetor</b> .....	5
<b>Controls</b> .....	8
<b>Crankcase Cover/Sump</b> .....	2
<b>Crankshaft</b> .....	3
<b>Cylinder</b> .....	2
<b>Cylinder Head</b> .....	4
<b>Electric Starter</b> .....	7
<b>Exhaust System</b> .....	6
<b>Flywheel</b> .....	7
<b>Fuel System</b> .....	8
<b>Ignition</b> .....	8
<b>Kit/Gasket Sets - Carburetor</b> .....	5
<b>Kit/Gasket Sets - Engine</b> .....	4
<b>Kit/Gasket Sets - Valve</b> .....	4
<b>Lubrication</b> .....	3
<b>Piston</b> .....	3
<b>Rewind Starter</b> .....	7



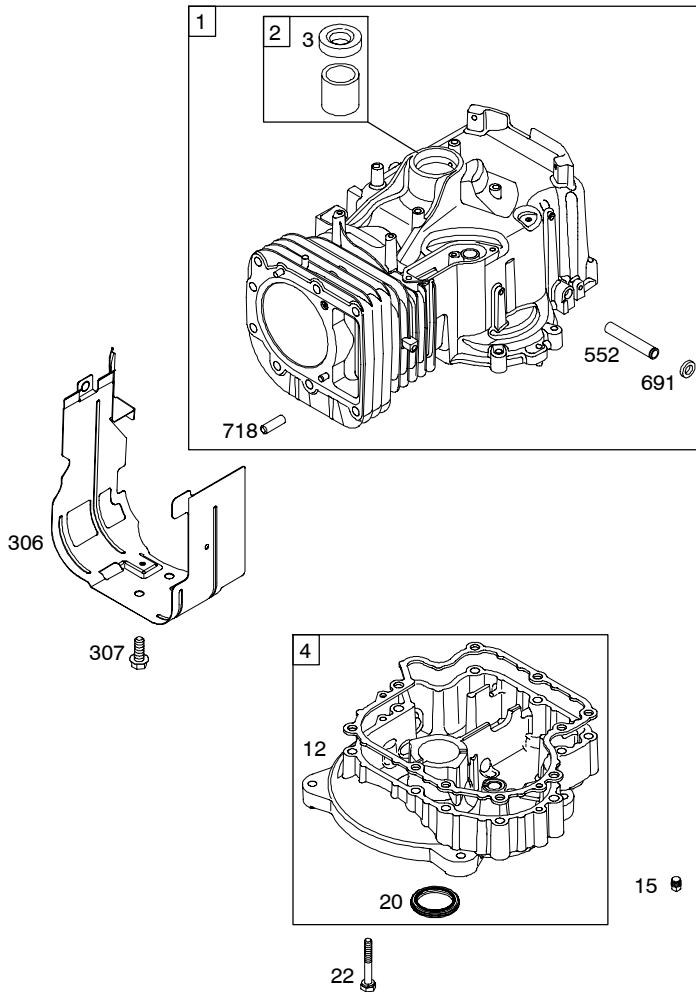
PRINTED IN U.S.A.

COPYRIGHT by BRIGGS & STRATTON CORPORATION  
All rights reserved. No part of this material may be reproduced or transmitted,  
in any form or by any means, electronic or mechanical, including photocopying,  
recording or by any information storage and retrieval system, without permission  
in writing from Briggs & Stratton Corporation.



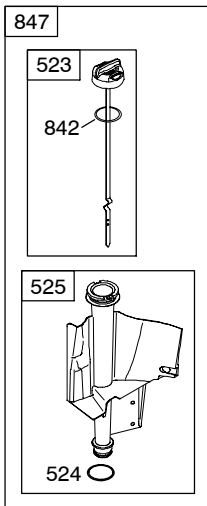
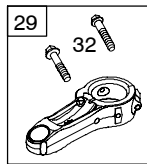
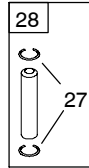
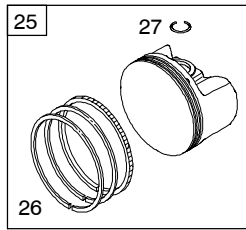
1058 OPERATOR'S MANUAL

1330 REPAIR MANUAL

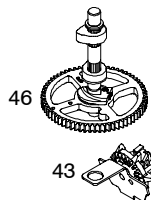
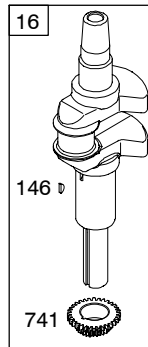


Illustrations cover a range of engines. Parts shown without corresponding text may not be used on your specific engine.  
5494-2 Assemblies include all parts shown in frames.

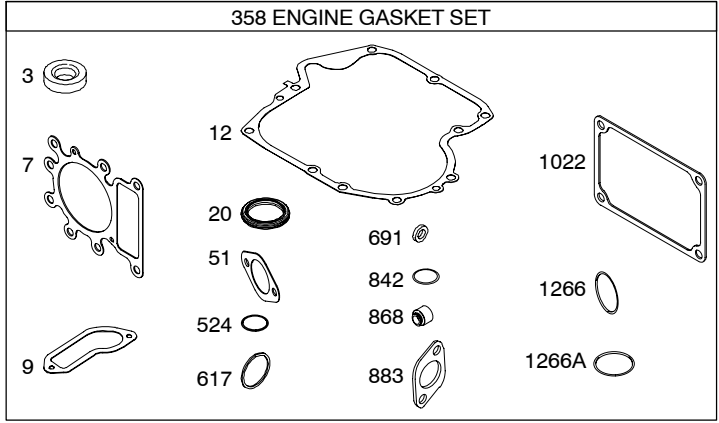
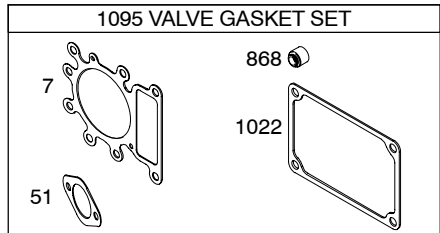
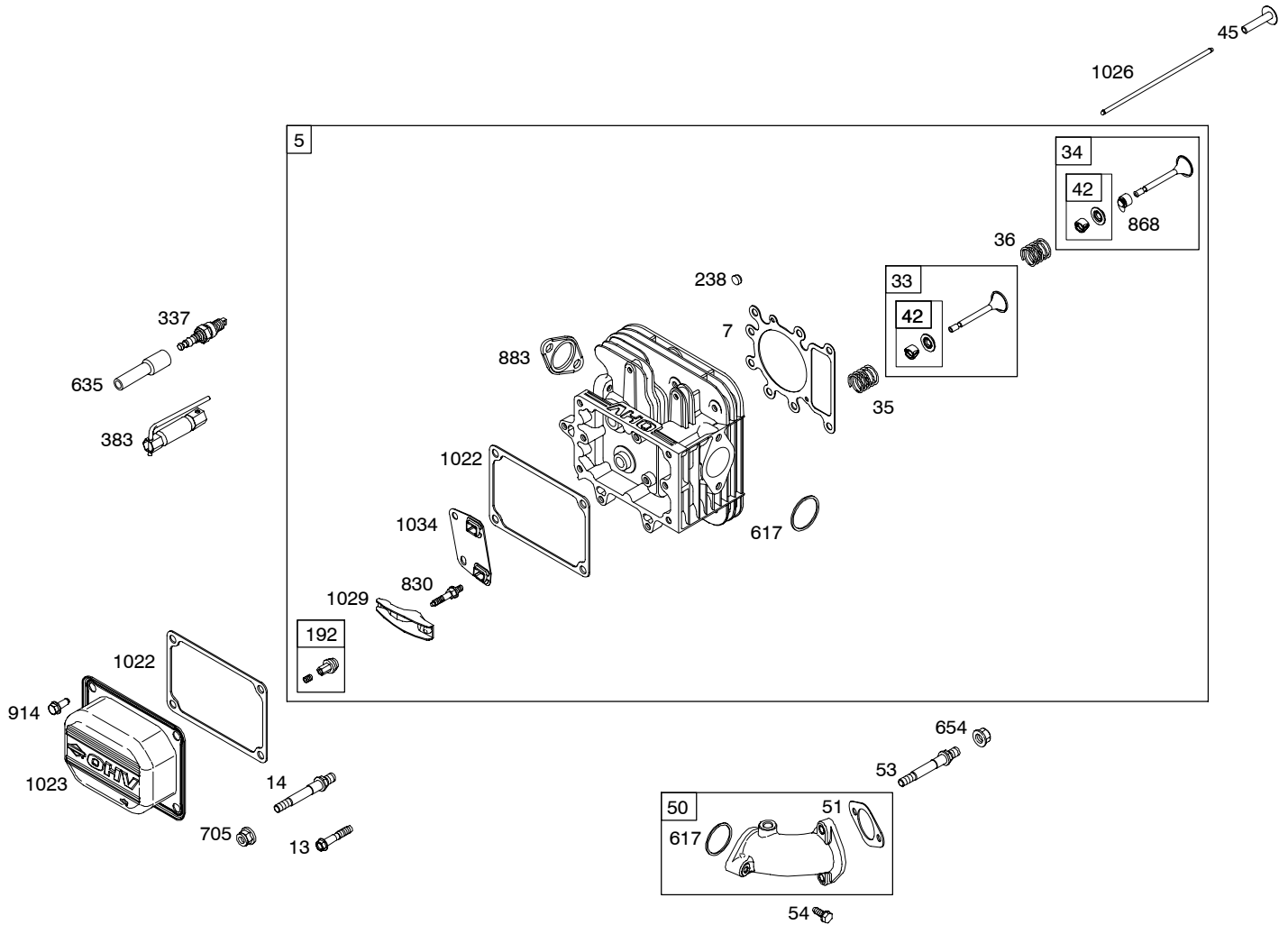
01/11/2007



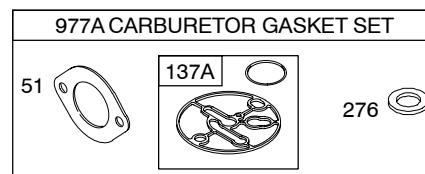
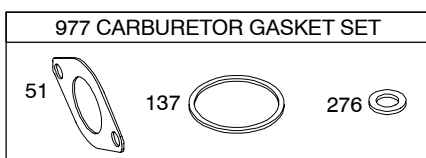
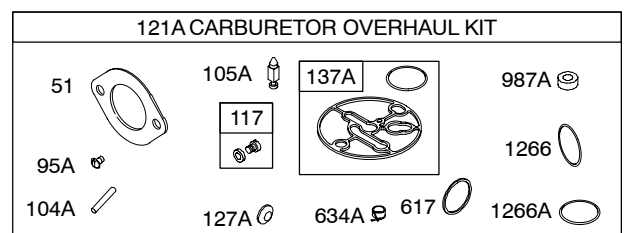
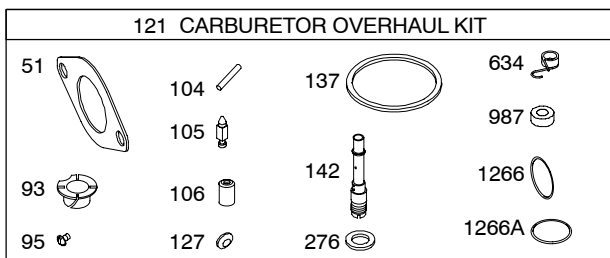
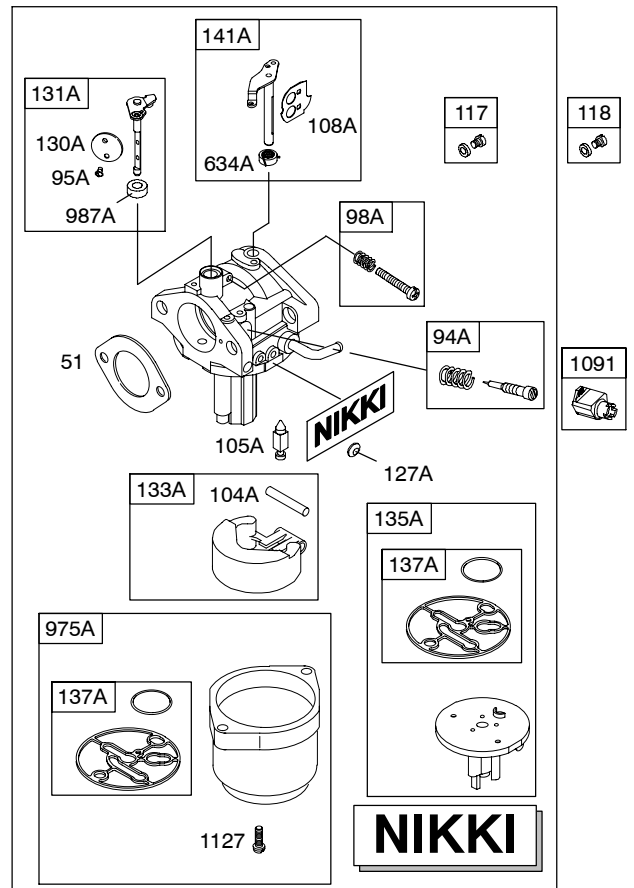
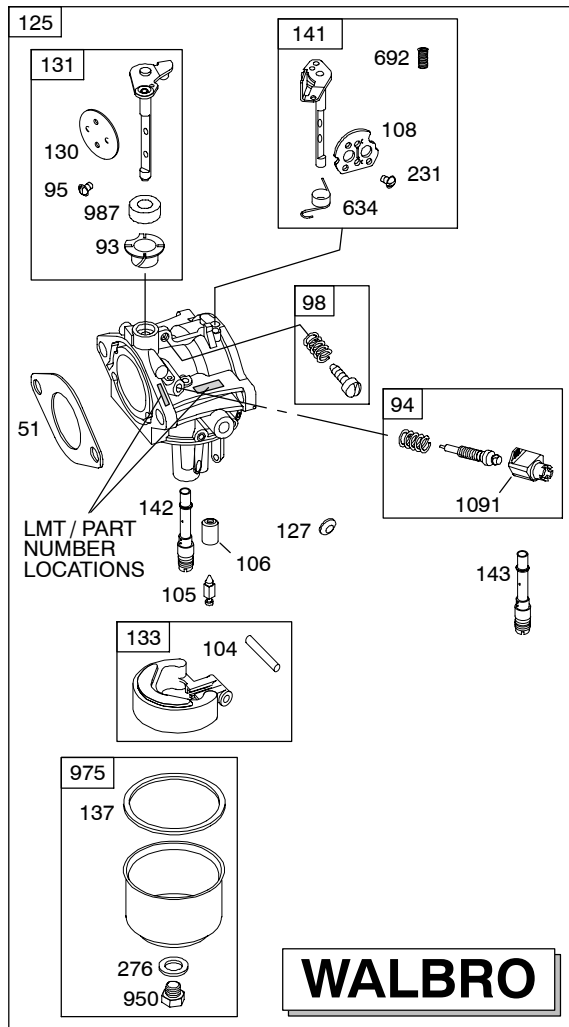
24



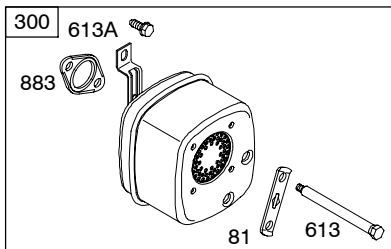
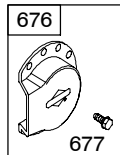
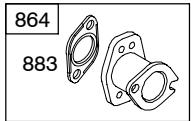
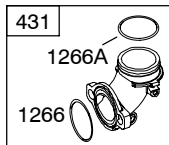
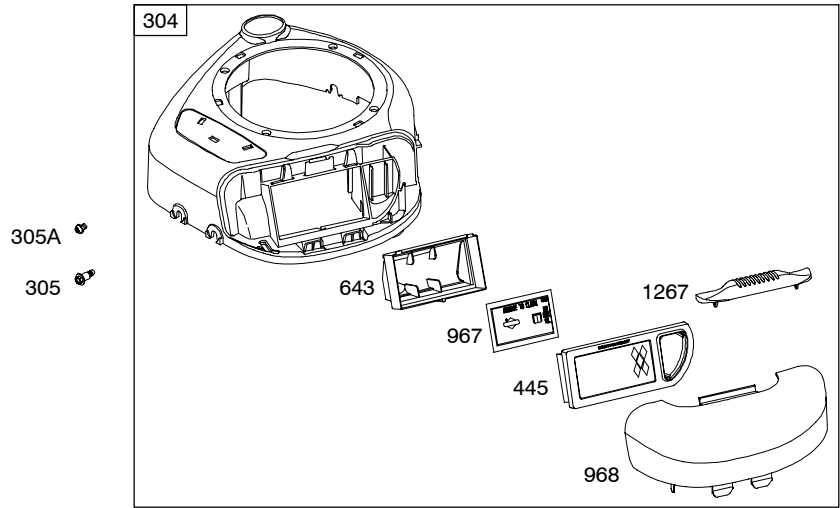
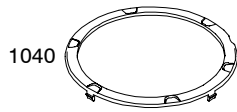
5494-3 *Illustrations cover a range of engines. Parts shown without corresponding text may not be used on your specific engine.* Assemblies include all parts shown in frames. 01/11/2007



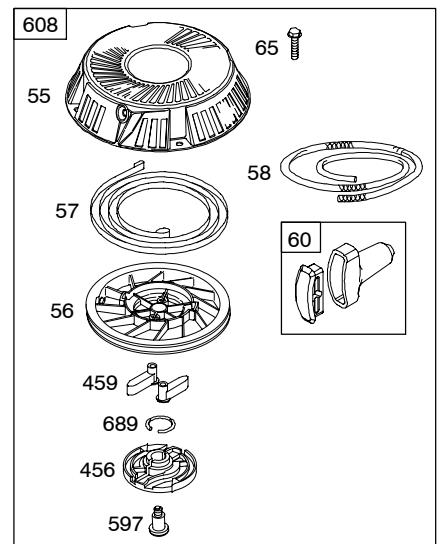
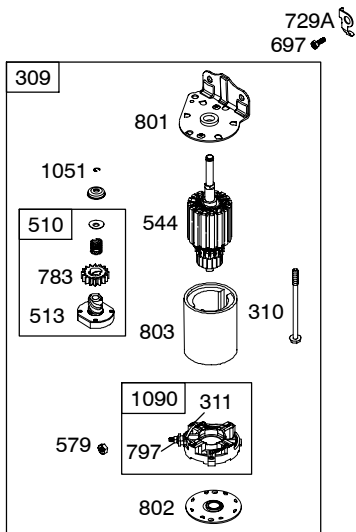
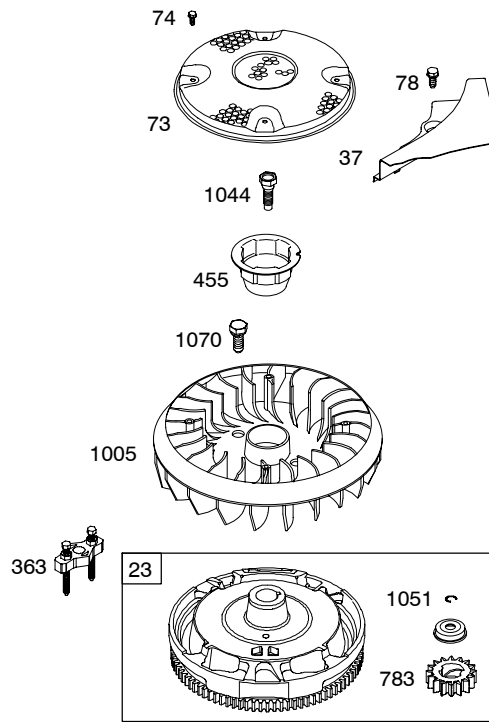
**Illustrations cover a range of engines. Parts shown without corresponding text may not be used on your specific engine.**  
**5494-4** Assemblies include all parts shown in frames. **01/11/2007**



Illustrations cover a range of engines. Parts shown without corresponding text may not be used on your specific engine.

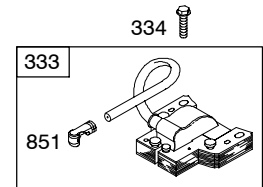
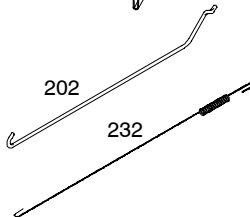
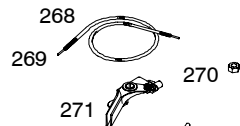
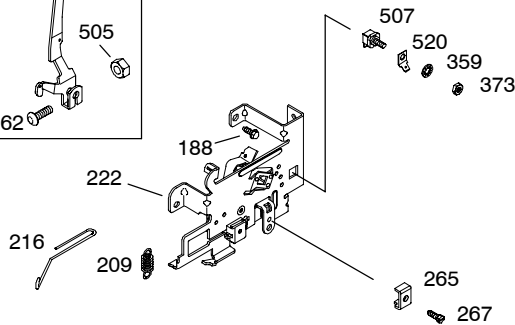
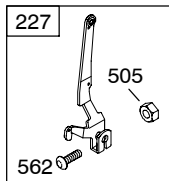
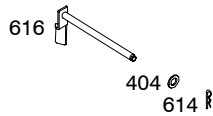
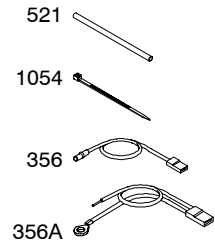
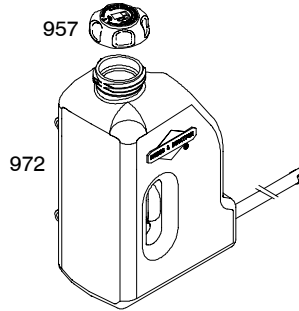
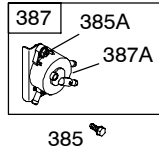
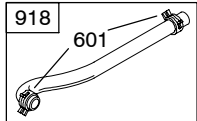
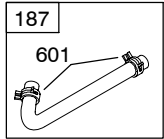


Illustrations cover a range of engines. Parts shown without corresponding text may not be used on your specific engine.



Illustrations cover a range of engines. Parts shown without corresponding text may not be used on your specific engine.

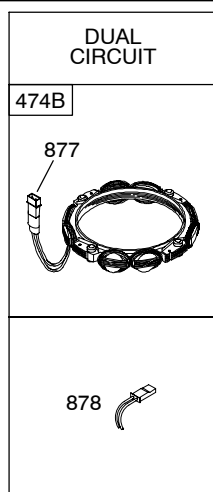
# 214700




Illustrations cover a range of engines. Parts shown without corresponding text may not be used on your specific engine.  
 5494-8 Assemblies include all parts shown in frames.

01/11/2007





**NOTE:** All stators use a No. 1119 mounting screw. 

**NOTE:** The proper flywheel part number and/or the alternator magnet size will determine the alternator type or output. See repair instruction manual for additional information.

# 214700

REF. NO.	PART NO.	DESCRIPTION	REF. NO.	PART NO.	DESCRIPTION	REF. NO.	PART NO.	DESCRIPTION
1	699045	Cylinder Assembly	26	698375	Ring Set (Standard)	53	690227	Stud (Carburetor)
2	399265	Kit-Bushing/Seal (Magneto Side)			----- <b>Note</b> -----	54	691148	Screw (Intake Manifold)
3	★391086	Seal-Oil (Magneto Side)			697120 Ring Set (.020" Oversize)	55	695130	Housing-Rewind Starter
4	697106	Sump-Engine	27	698469	Lock-Piston Pin (Pink)	56	695129	Pulley-Starter
5	792964	Head-Cylinder (Used After Code Date 06120300).			(Used After Code Date 02100300)	57	695131	Spring-Rewind Starter
		----- <b>Note</b> -----			----- <b>Note</b> -----	58	695132	Rope-Starter
		697396 Head-Cylinder (Used Before Code Date 06120400).			698138 Lock-Piston Pin (Green)	60	494212	Grip-Starter Rope
7	★△273280	Gasket-Cylinder Head			(Used Before Code Date 02100400)	65	697725	Screw (Rewind Starter)
9	★697109	Gasket-Breather	28	697099	Pin-Piston	73	697133	Screen-Rotating
10	697157	Screw (Breather Assembly)	29	791633	Rod-Connecting (Standard)	74	697897	Screw (Rotating Screen)
11	697113	Tube-Breather	32	791118	Screw (Connecting Rod)	78	691003	Screw (Flywheel Guard)
12	★697110	Gasket-Crankcase (.015" Thick) (Standard)	33	791934	Valve-Exhaust (Used After Code Date 06120300).	81	691178	Lock-Muffler Screw
13	690360	Screw (Cylinder Head)			----- <b>Note</b> -----	93	●690602	Bushing-Throttle Shaft
14	790560	Stud (Cylinder Head)			695760 Valve-Exhaust (Used Before Code Date 06120400).	94	498030	Kit-Idle Mixture (Walbro)
15	690946	Plug-Oil Drain (3/8" Standard)	34	791935	Valve-Intake (Used After Code Date 06120300).	94A	695425	Kit-Idle Mixture (Nikki)
16	698382	Crankshaft			----- <b>Note</b> -----	95	●691636	Screw (Walbro) (Throttle Valve)
20	★791892	Seal-Oil (PTO Side)			695761 Valve-Exhaust (Used Before Code Date 06120400).	95A	●690718	Screw (Throttle Valve)(Nikki)
22	692125	Screw (Crankcase Cover/Sump)	35	691279	Spring-Valve (Intake)	98	495800	Kit-Idle Speed (Walbro)
23	698281	Flywheel	36	691279	Spring-Valve (Exhaust)	98A	695408	Kit-Idle Speed (Nikki)
24	222698	Key-Flywheel	37	697352	Guard-Flywheel	104	●690525	Pin-Float Hinge (Walbro)
25	698767	Piston Assembly (Standard)	38	697352	Guard-Flywheel	104A	●694918	Pin-Float Hinge (Nikki)
		----- <b>Note</b> -----	39	697352	Guard-Flywheel	105	●231855	Valve-Float Needle (Walbro)
		698769 Piston Assembly (.020" Oversize)	42	499586	Keeper-Valve	105A	●696136	Valve-Float Needle (Nikki)
			43	691968	Slinger-Governor/Oil	106	●691780	Seat-Inlet (Pump Feed) Used on Type No(s). 0114.
			45	690564	Tappet-Valve			----- <b>Note</b> -----
			46	793583	Camshaft			690577 Seat-Inlet (Gravity Feed) Used on Type No(s). 0113.
			50	697361	Manifold-Intake			
			51	★△◆692137	Gasket-Intake			

★ Included in Engine Gasket Set-Ref. No.358.

● Included in Carburetor Overhaul Kit-Ref. No. 121, or 121A.

◆ Included in Carburetor Gasket Set-Ref. No. 977 or 977A.

△ Included in Valve Gasket Set-Ref. No 1095.

**Illustrations cover a range of engines. Parts shown without corresponding text may not be used on your specific engine.**

5494-10

Assemblies include all parts shown in frames.

01/11/2007

REF. NO.	PART NO.	DESCRIPTION	REF. NO.	PART NO.	DESCRIPTION	REF. NO.	PART NO.	DESCRIPTION
108	691227	Valve-Choke (Walbro)	133	494381	Floater-Carburetor	187	791805	Line-Fuel (Formed)(Cut To Required Length) Used on Type No(s). 0113, 0114.
108A	698773	Valve-Choke (Nikki)	133A	694914	Floater-Carburetor (Nikki)			
117	699897	Jet-Main (Standard)	135A	698780	Tube-Fuel Transfer Used on Type No(s). 0113.	188	691693	Screw (Control Bracket)
118	699898	Jet-Main (High Altitude)			----- Note -----	192	691986	Adjuster-Rocker Arm
121	790031	Kit-Carburetor Overhaul (Walbro)			792022 Tube-Fuel Transfer Used on Type No(s). 0114.	202	691841	Link-Mechanical Governor
121A	698787	Kit-Carburetor Overhaul (Nikki)	137	♦281165	Gasket-Floater Bowl (Walbro)	209	691798	Spring-Governor Used on Type No(s). 0113.
125	790019	Carburetor (Walbro) (Gravity Feed) Used on Type No(s). 0113.	137A	698781	Gasket-Floater Bowl (Nikki)			----- Note -----
		----- Note -----	141	790902	Kit-Choke Shaft (Walbro)			692208 Spring-Governor Used on Type No(s). 0114.
		790020 Carburetor (Walbro) (Pump Feed) Used on Type No(s). 0114.	141A	698778	Kit-Choke Shaft (Nikki)	216	691840	Link-Choke
127	♦694524	Plug-Welch (Walbro)	142	♦790025	Nozzle-Carburetor (Standard)(Walbro) Used on Type No(s). 0114.	222	694042	Bracket-Control
127A	♦690727	Plug-Welch (Nikki)			----- Note -----	227	691374	Lever-Governor Control
130	790024	Valve-Throttle Used on Type No(s). 0114.			697491 Nozzle-Carburetor (Standard) Used on Type No(s). 0113.	231	691636	Screw (Choke Valve)
		----- Note -----	143	♦790028	Nozzle-Carburetor (High Altitude)(Walbro) Used on Type No(s). 0114.	232	691842	Spring-Governor Link
		690468 Valve-Throttle Used on Type No(s). 0113.			----- Note -----	238	691843	Cap-Valve
130A	698774	Valve-Throttle (Nikki)			697492 Nozzle-Carburetor (High Altitude) Used on Type No(s). 0113.	240	298090	Filter-Fuel (Red, 150 Microns) Used on Type No(s). 0113.
131	790901	Kit-Throttle Shaft Used on Type No(s). 0113, 0114.				240A	691035	Filter-Fuel (Clear, 40 Microns) Used on Type No(s). 0114.
131A	698776	Kit-Throttle Shaft (Nikki)	146	691639	Key-Timing	265	691024	Clamp-Casing
						267	690804	Screw (Casing Clamp)

★ Included in Engine Gasket Set-Ref. No.358.

● Included in Carburetor Overhaul Kit-Ref. No. 121 or 121A.

◆ Included in Carburetor Gasket Set-Ref. No. 977 or 977A.

△ Included in Valve Gasket Set-Ref. No 1095.

**Illustrations cover a range of engines. Parts shown without corresponding text may not be used on your specific engine.**

5494-11

Assemblies include all parts shown in frames.

01/11/2007

# 214700

REF. NO.	PART NO.	DESCRIPTION	REF. NO.	PART NO.	DESCRIPTION	REF. NO.	PART NO.	DESCRIPTION
268	691025	Casing-Control Wire (Cut To Required Length)	337	491055	Plug-Spark ----- <b>Note</b> ----- <b>691043</b> Plug-Spark Used on Type No(s). 0114.	387	697090	Pump-Fuel Used on Type No(s). 0114.
269	691026	Wire-Control (Cut To Required Length)	356	697397	Wire-Stop (1 Wire, 20" Long)(Snap Connect Insulated Female Blade Terminal, AndSnap Connect Insulated Pin Socke Used on Type No(s). 0114.	387A	808656	Pump-Fuel Used on Type No(s). 0114.
270	691027	Nut (Control Wire Casing)	356A	398808	Wire-Stop (2 Wires, 15" And 15-11/16" Long)(Snap Connect Insulated Female BladeTerminal, Ring Terminal, And Ba Used on Type No(s). 0113.	404	691691	Washer (Governor Crank)
271	691028	Lever-Control	358	697151	Gasket Set-Engine	431	697122	Elbow-Intake
276	692255	Washer-Sealing	359	691077	Washer (Ground Terminal) Used on Type No(s). 0113.	445	698413	Filter-Air Cleaner Cartridge (Non Washable)
300	697048	Muffler Used on Type No(s). 0114.	363	19203	Puller-Flywheel	455	695113	Cup-Flywheel Used on Type No(s). 0113.
304	698473	Housing-Blower (Black) Used on Type No(s). 0113. ----- <b>Note</b> ----- <b>699085</b> Housing-Blower (Red) Used on Type No(s). 0114.	373	691612	Nut (Ground Terminal) Used on Type No(s). 0113.	456	695128	Plate-Pawl Friction
305	697102	Screw (Blower Housing)	383	89838	Wrench-Spark Plug	459	281505	Pawl-Ratchet
305A	697103	Screw (Blower Housing)	385	694476	Screw (Fuel Pump) Used on Type No(s). 0114.	474B	696459	Alternator (Dual Circuit) Used on Type No(s). 0113, 0114.
306	697359	Shield-Cylinder	385A	690297	Screw (Fuel Pump)	505	691251	Nut (Governor Control Lever)
307	691003	Screw (Cylinder Shield)				507	691972	Insulator Used on Type No(s). 0113.
309	693551	Motor-Starter Used on Type No(s). 0113, 0114.				510	693699	Drive-Starter
310	690323	Screw (Starter Motor)				513	692024	Clutch-Drive
311	497608	Brush Set				520	691084	Terminal-Ground Used on Type No(s). 0113.
333	492341	Armature-Magneto				521	690581	Shield-Cable Used on Type No(s). 0113.
334	691061	Screw (Magneto Armature)				523	699908	Dipstick
						524	691032	Seal-Dipstick Tube

★ Included in Engine Gasket Set-Ref. No.358.

● Included in Carburetor Overhaul Kit-Ref. No. 121, or 121A.

◆ Included in Carburetor Gasket Set-Ref. No. 977 or 977A.

△ Included in Valve Gasket Set-Ref. No 1095.

**Illustrations cover a range of engines. Parts shown without corresponding text may not be used on your specific engine.**

REF. NO.	PART NO.	DESCRIPTION	REF. NO.	PART NO.	DESCRIPTION	REF. NO.	PART NO.	DESCRIPTION
525	697184	Tube-Dipstick ----- <b>Note</b> ----- <b>697085</b> Tube-Dipstick (Used On Engines With Fuel Pump) Used on Type No(s). 0114.	677	690661	Screw (Muffler Deflector)	877	393456	Wire/Connector- Alternator (Dual Circuit) Used on Type No(s). 0113, 0114.
544	692034	Armature-Starter	689	691855	Spring-Friction	878	398661	Harness-Alternator Used on Type No(s). 0113, 0114.
552	697144	Bushing-Governor Crank	691	★692407	Seal-Governor Shaft	883	★692236	Gasket-Exhaust
562	691119	Bolt (Governor Control Lever)	692	691301	Spring-Detent Used on Type No(s). 0114.	914	691108	Screw (Rocker Cover)
579	691029	Nut (Starter Cable)	697	690372	Screw (Drive Cap)	918	791851	Hose-Vacuum (Molded) Used on Type No(s). 0114.
584	697112	Cover-Breather Passage	705	790561	Nut (Fuel Tank)	950	691657	Screw-Float Bowl (Bottom Of Bowl)
597	691696	Screw (Pawl Friction Plate)	718	690959	Pin-Locating	957	694261	Cap-Fuel Tank (Plastic) Used on Type No(s). 0114.
601	791850	Clamp-Hose (Zinc Plate)(Spring Wire)	729	691335	Clip-Wire (Wire Retainer)	967	697292	Filter-Pre Cleaner
608	695058	Starter-Rewind Used on Type No(s). 0113.	729A	691224	Clip-Wire (Starter Motor)	968	697420	Cover-Air Cleaner (Black) Used on Type No(s). 0113, 0114.
613	691416	Screw (Muffler)	741	697128	Gear-Timing	972	792168	Tank-Fuel (Plastic) Used on Type No(s). 0114.
613A	691678	Screw (Muffler)	783	693713	Gear-Pinion	975	495933	Bowl-Float (Walbro)
614	691620	Pin-Cotter	797	693167	Nut (Brush Retainer)	975A	698783	Bowl-Float (Nikki)
616	692012	Crank-Governor	801	691283	Cap-Drive	977	690192	Gasket Set-Carburetor (Walbro)
617	★692138	Seal-O Ring (Intake Manifold)	802	691286	Cap-End	977A	790032	Gasket Set-Carburetor (Nikki)
634	●690802	Spring/Seal Assembly (Walbro)	803		Housing-Starter (Not Serviced Separately, Order Starter Motor 693551)			
634A	●698779	Spring/Seal Assembly (Nikki)	823	698941	Screw (Muffler Adapter)			
635	691909	Boot-Spark Plug	830	691095	Stud-Rocker Arm			
643	697155	Retainer-Air Filter	842	★691031	Seal-O Ring (Dipstick Tube)			
654	690958	Nut (Carburetor)	847	790442	Dipstick/Tube Assembly ----- <b>Note</b> ----- <b>790443</b> Dipstick/Tube Assembly (Used On Engines With Fuel Pump) Used on Type No(s). 0114.			
676	393761	Deflector-Muffler (Side Out) Used on Type No(s). 0114.	851	692424	Terminal-Spark Plug			
			864	697346	Adapter-Muffler Used on Type No(s). 0114.			
			868	★△690968	Seal-Valve			

★ Included in Engine Gasket Set-Ref. No.358.

● Included in Carburetor Overhaul Kit-Ref. No. 121 or 121A.

◆ Included in Carburetor Gasket Set-Ref. No. 977 or 977A.

△ Included in Valve Gasket Set-Ref. No 1095.

**Illustrations cover a range of engines. Parts shown without corresponding text may not be used on your specific engine.**

5494-13

Assemblies include all parts shown in frames.

01/11/2007

# 214700

REF. NO.	PART NO.	DESCRIPTION	REF. NO.	PART NO.	DESCRIPTION	REF. NO.	PART NO.	DESCRIPTION
987	●691326	Seal-Throttle Shaft (Walbro)	1040	698368	Plate-Trim (Exhaust)	1127	695407	Screw (Float Bowl) (Nikki)
987A	●698777	Seal-Throttle Shaft (Nikki)			Used on Type No(s). 0114.	1263	697124	Reed-Breather
1005	699044	Fan-Flywheel	1044	698139	Screw (Flywheel)	1264	697104	Screw (Breather Reed)
1022	★Δ272475	Gasket-Rocker Cover	1051	691265	Ring-Retaining	1266	●691917	Seal-O Ring (Intake Elbow)
1023	692492	Cover-Rocker	1054	280275	Tie-Cable	1266A	●697123	Seal-O Ring (Intake Elbow)
1026	697395	Rod-Push (Exhaust)	1058	276344	Operator's Manual	1267	697419	Latch-Blower Housing (Black)
		----- <b>Note</b> -----	1070	690372	Screw (Flywheel Fan)			Used on Type No(s). 0113, 0114.
		697394 Rod-Push (Intake)	1090	691293	Retainer-Brush	1330	272147	Repair Manual
1029	691751	Arm-Rocker	1091	691333	Cap-Limiter			
1034	690822	Guide-Push Rod	1095	691581	Gasket Set-Valve			
1036	790465	Label-Emissions (Available from an Authorized Briggs & Stratton Service Dealer)	1119	691183	Screw (Alternator)			

★ Included in Engine Gasket Set-Ref. No.358.

● Included in Carburetor Overhaul Kit-Ref. No. 121, or 121A.

◆ Included in Carburetor Gasket Set-Ref. No. 977 or 977A.

Δ Included in Valve Gasket Set-Ref. No 1095.

**Illustrations cover a range of engines. Parts shown without corresponding text may not be used on your specific engine.**

5494-14

Assemblies include all parts shown in frames.

01/11/2007

## Free Manuals Download Website

<http://myh66.com>

<http://usermanuals.us>

<http://www.somanuals.com>

<http://www.4manuals.cc>

<http://www.manual-lib.com>

<http://www.404manual.com>

<http://www.luxmanual.com>

<http://aubethermostatmanual.com>

Golf course search by state

<http://golfingnear.com>

Email search by domain

<http://emailbydomain.com>

Auto manuals search

<http://auto.somanuals.com>

TV manuals search

<http://tv.somanuals.com>