



# Illustrated Parts List

## Model Series

# 356400

TYPE NUMBERS  
0065 through 1415.

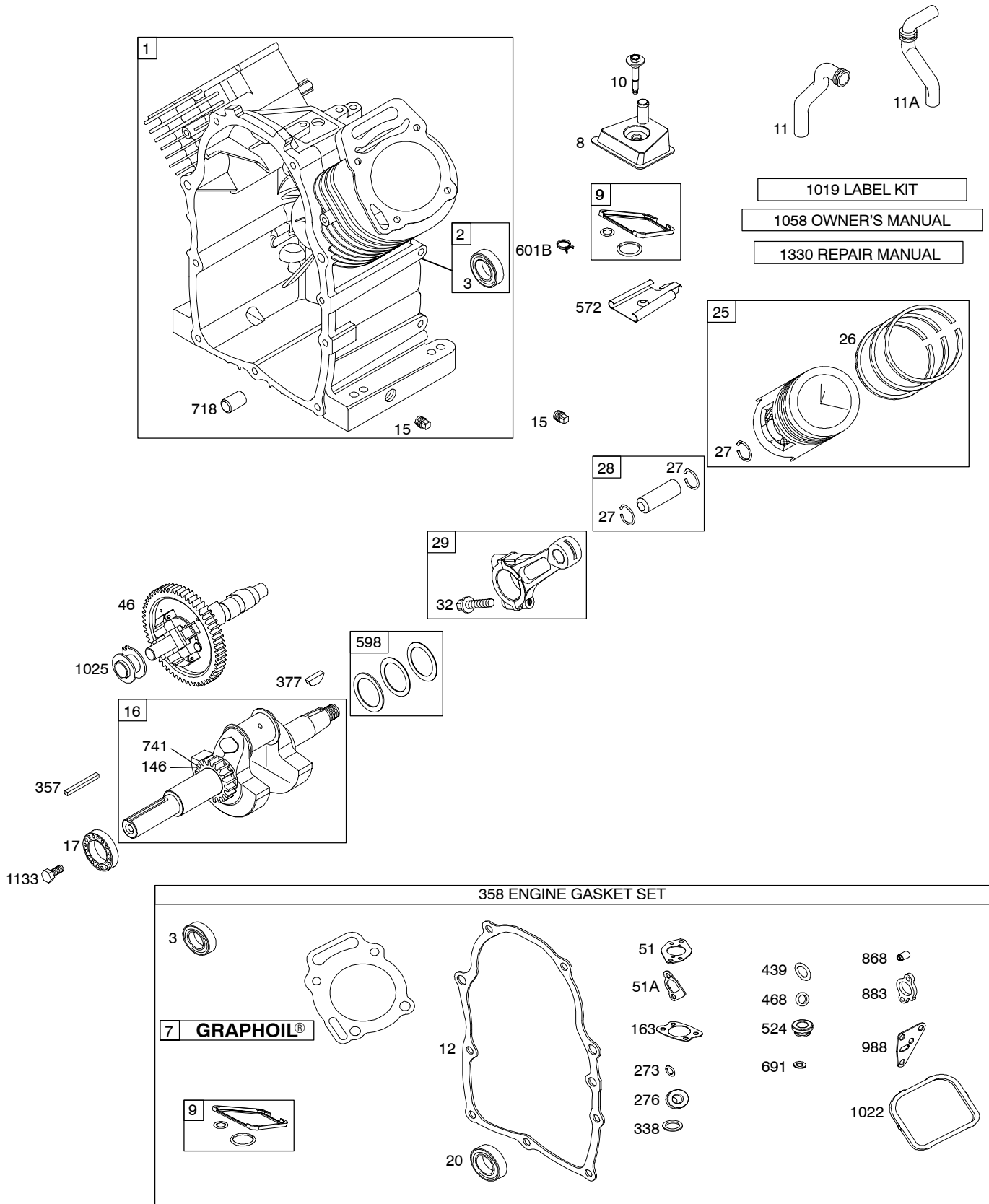
### TABLE OF CONTENTS

<b>Air Cleaner</b> .....	7
<b>Alternator</b> .....	15
<b>Blower Housing</b> .....	12
<b>Camshaft</b> .....	2
<b>Carburetor</b> .....	6
<b>Controls</b> .....	10
<b>Crankcase Cover</b> .....	4
<b>Crankshaft</b> .....	2
<b>Cylinder</b> .....	2
<b>Cylinder Head</b> .....	3
<b>Electric Starter</b> .....	16 & 17
<b>Exhaust System</b> .....	8
<b>Flywheel</b> .....	13
<b>Fuel Supply</b> .....	9
<b>Gasket Set - Engine</b> .....	2
<b>Gasket Set - Valve</b> .....	3
<b>Governor Spring</b> .....	10
<b>Ignition</b> .....	15
<b>Intake Manifold</b> .....	4
<b>Kit - Carburetor Overhaul</b> .....	6
<b>Lubrication</b> .....	5
<b>Piston, Rings, Connecting Rod</b> .....	2
<b>Rewind Starter</b> .....	14
<b>Shrouds</b> .....	11
<b>Valves</b> .....	3

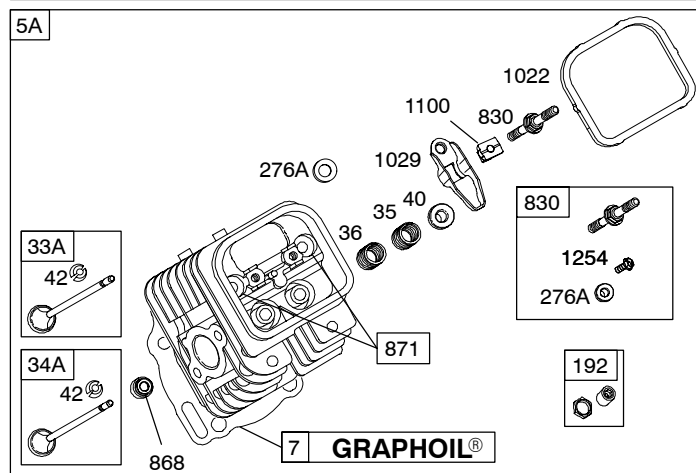
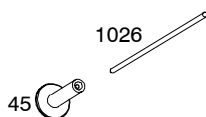
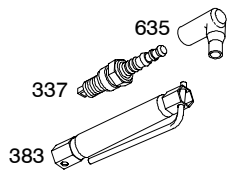
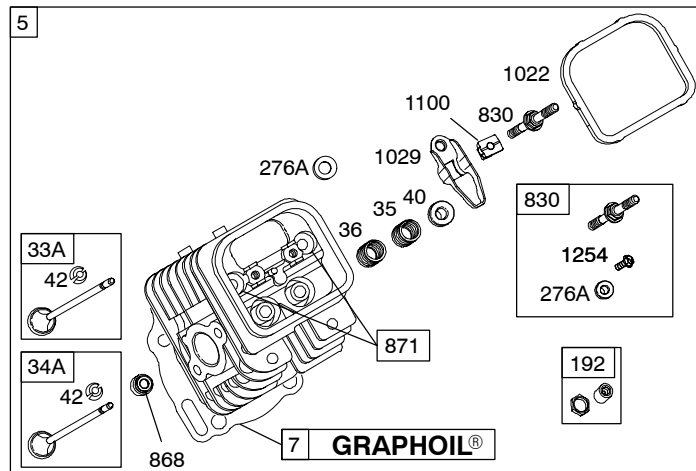
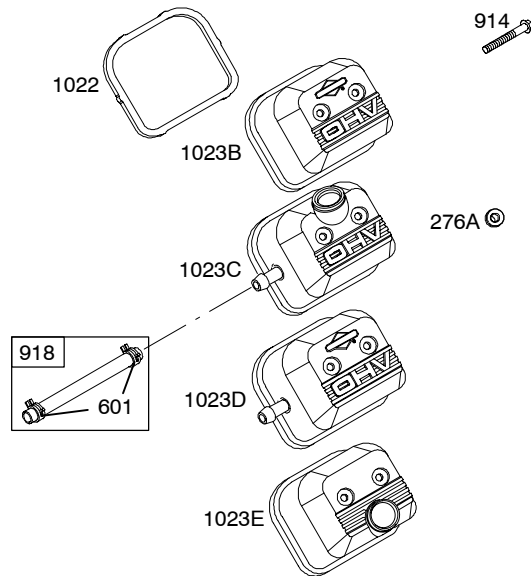
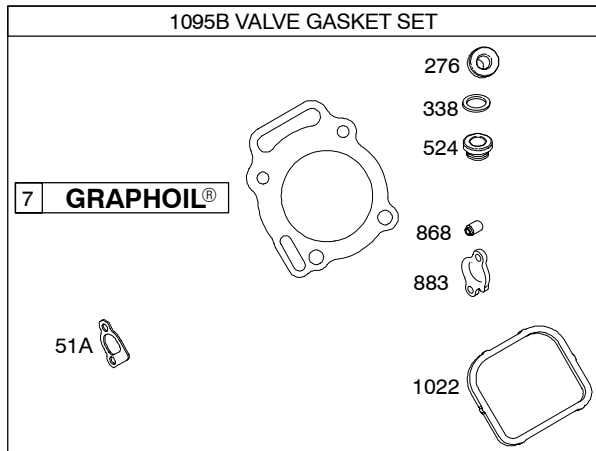
PRINTED IN U.S.A.



COPYRIGHT by BRIGGS & STRATTON CORPORATION  
All rights reserved. No part of this material may be reproduced or transmitted, in any form or by any means, electronic or mechanical, including photocopying, recording or by any information storage and retrieval system, without permission in writing from Briggs & Stratton Corporation.

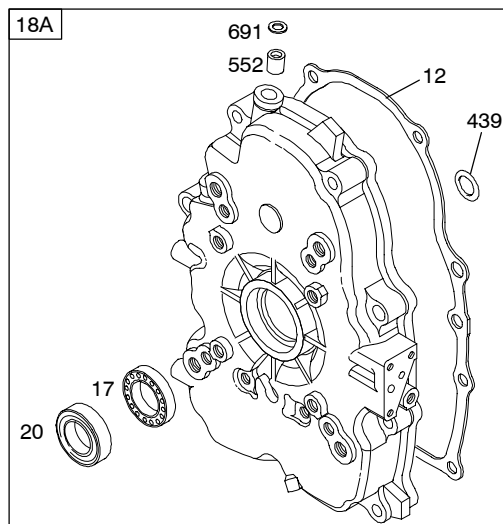
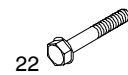
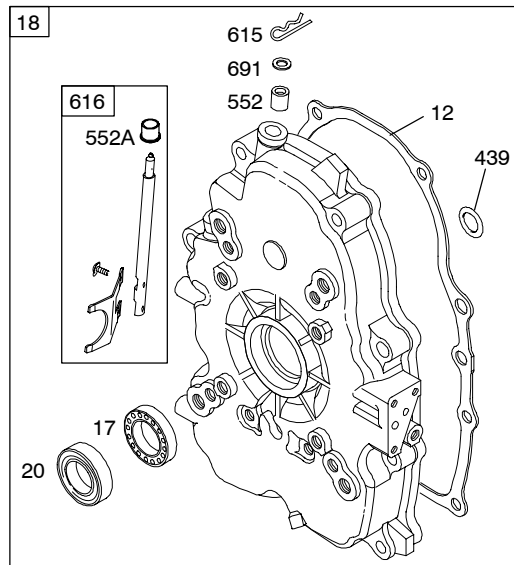
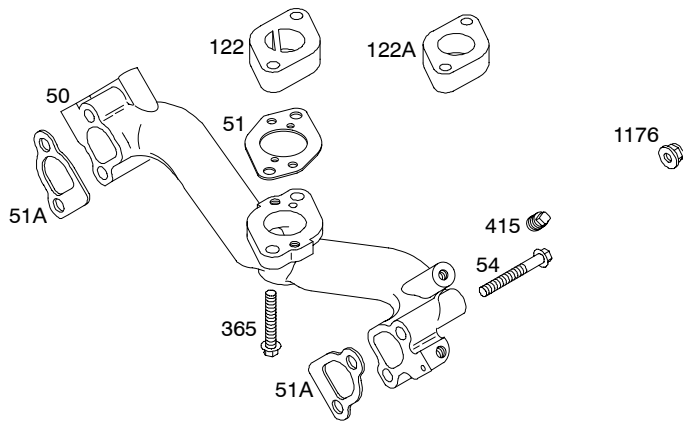


Illustrations cover a range of engines. Parts shown without corresponding text may not be used on your specific engine.



Illustrations cover a range of engines. Parts shown without corresponding text may not be used on your specific engine.

# 356400

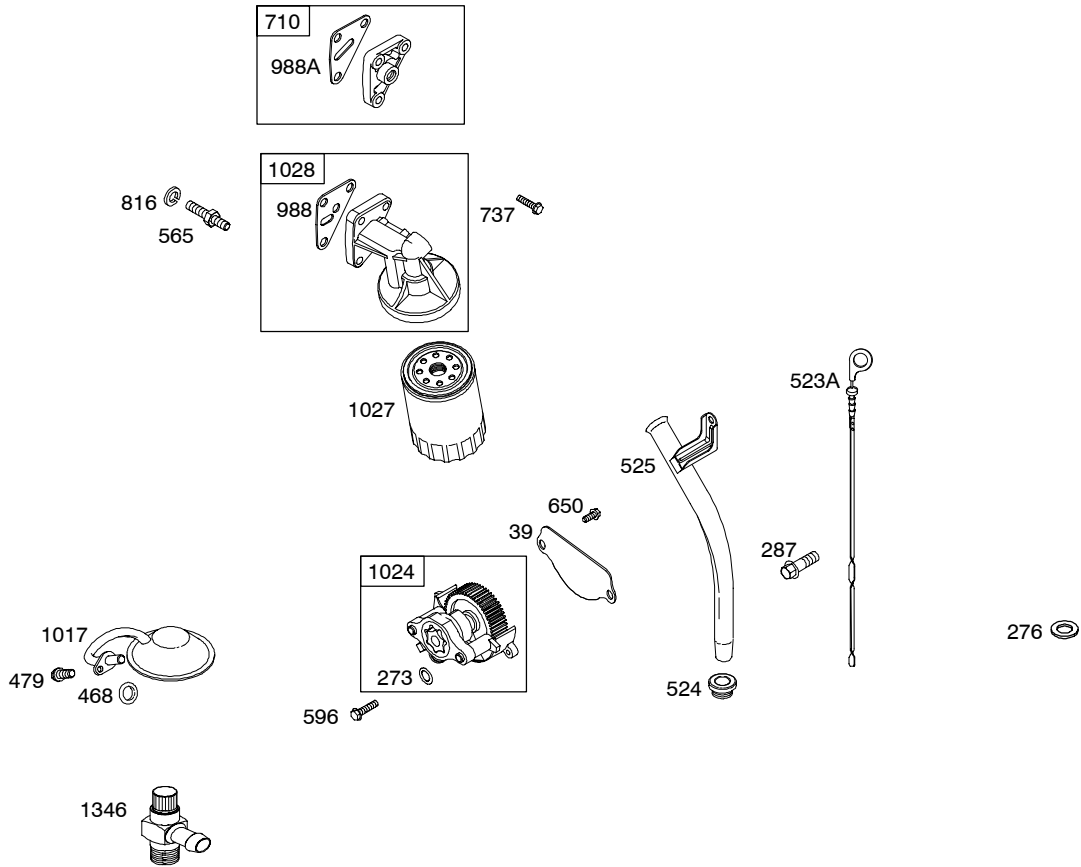


*Illustrations cover a range of engines. Parts shown without corresponding text may not be used on your specific engine.*

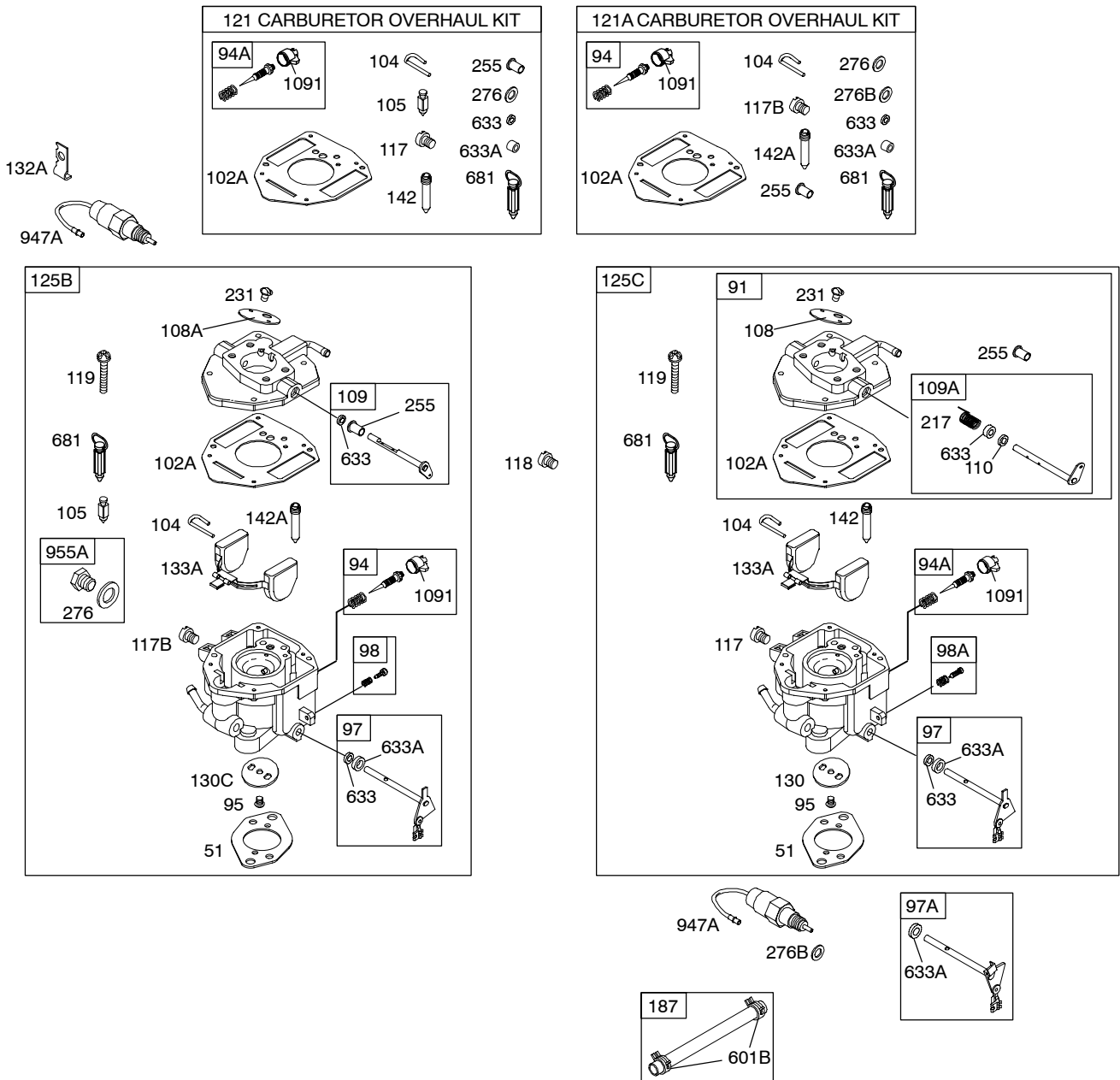
5761-4

Assemblies include all parts shown in frames.

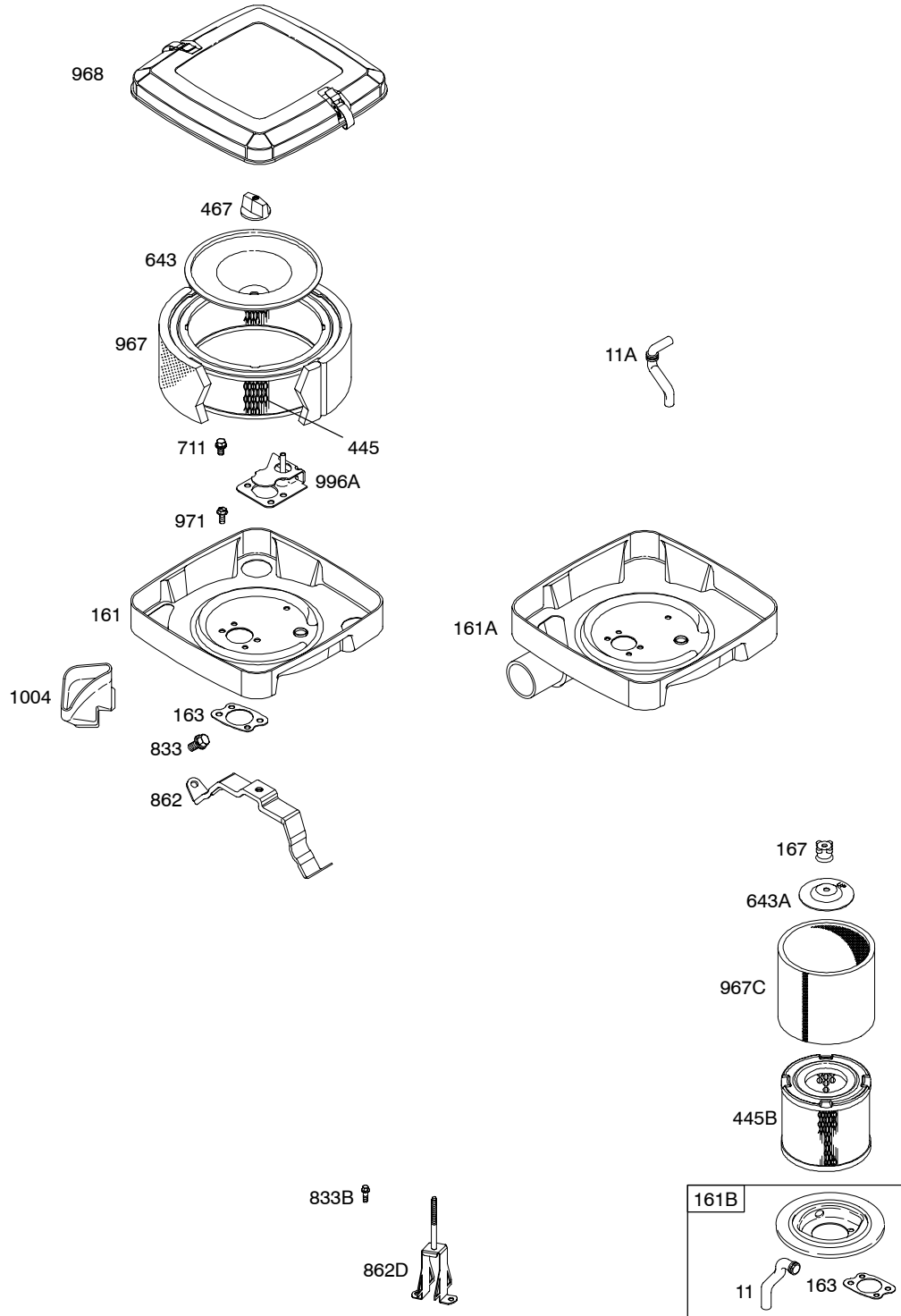
08/22/2006



*Illustrations cover a range of engines. Parts shown without corresponding text may not be used on your specific engine.*



Illustrations cover a range of engines. Parts shown without corresponding text may not be used on your specific engine.



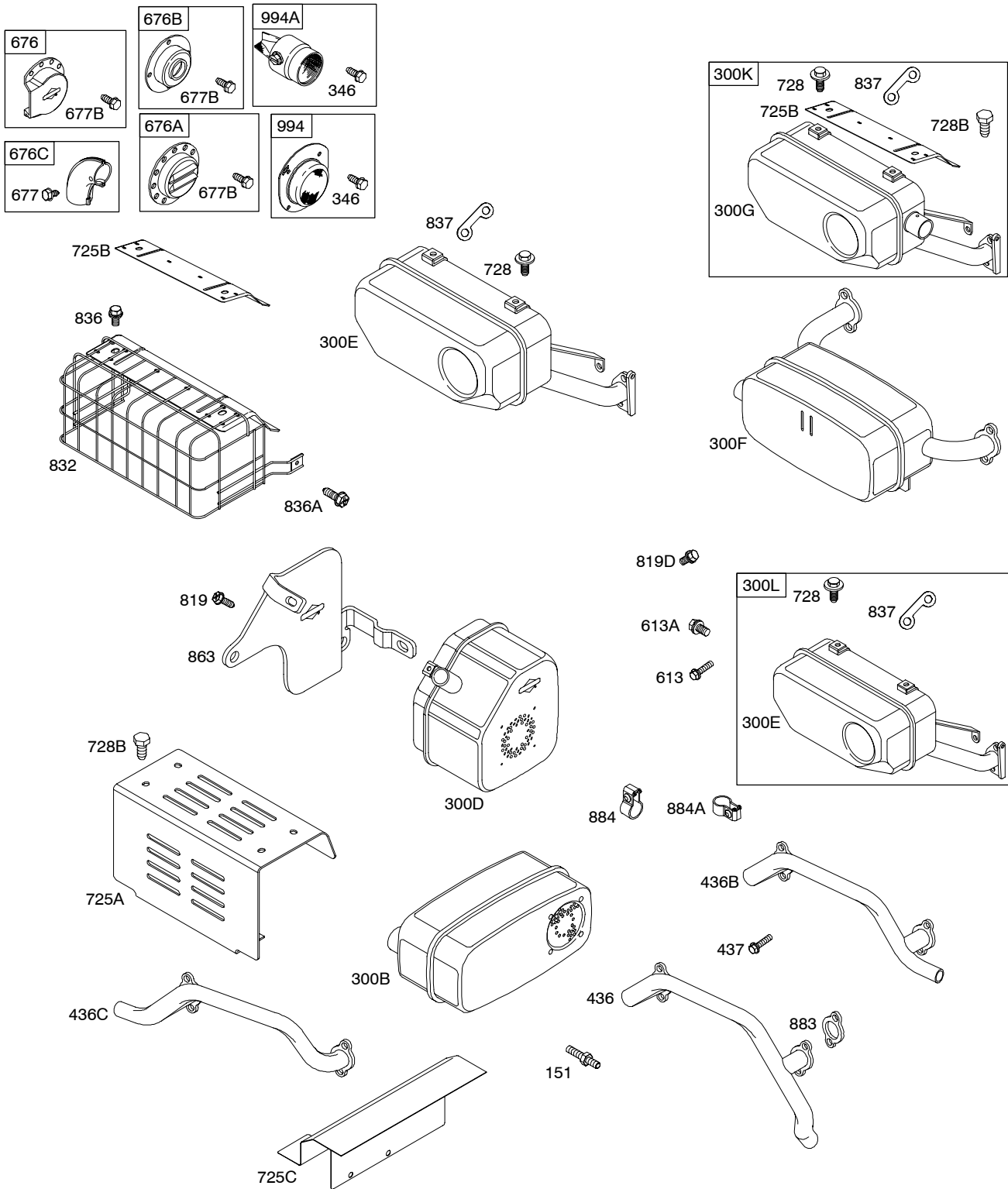
Illustrations cover a range of engines. Parts shown without corresponding text may not be used on your specific engine.

5761-7

Assemblies include all parts shown in frames.

08/22/2006

# 356400



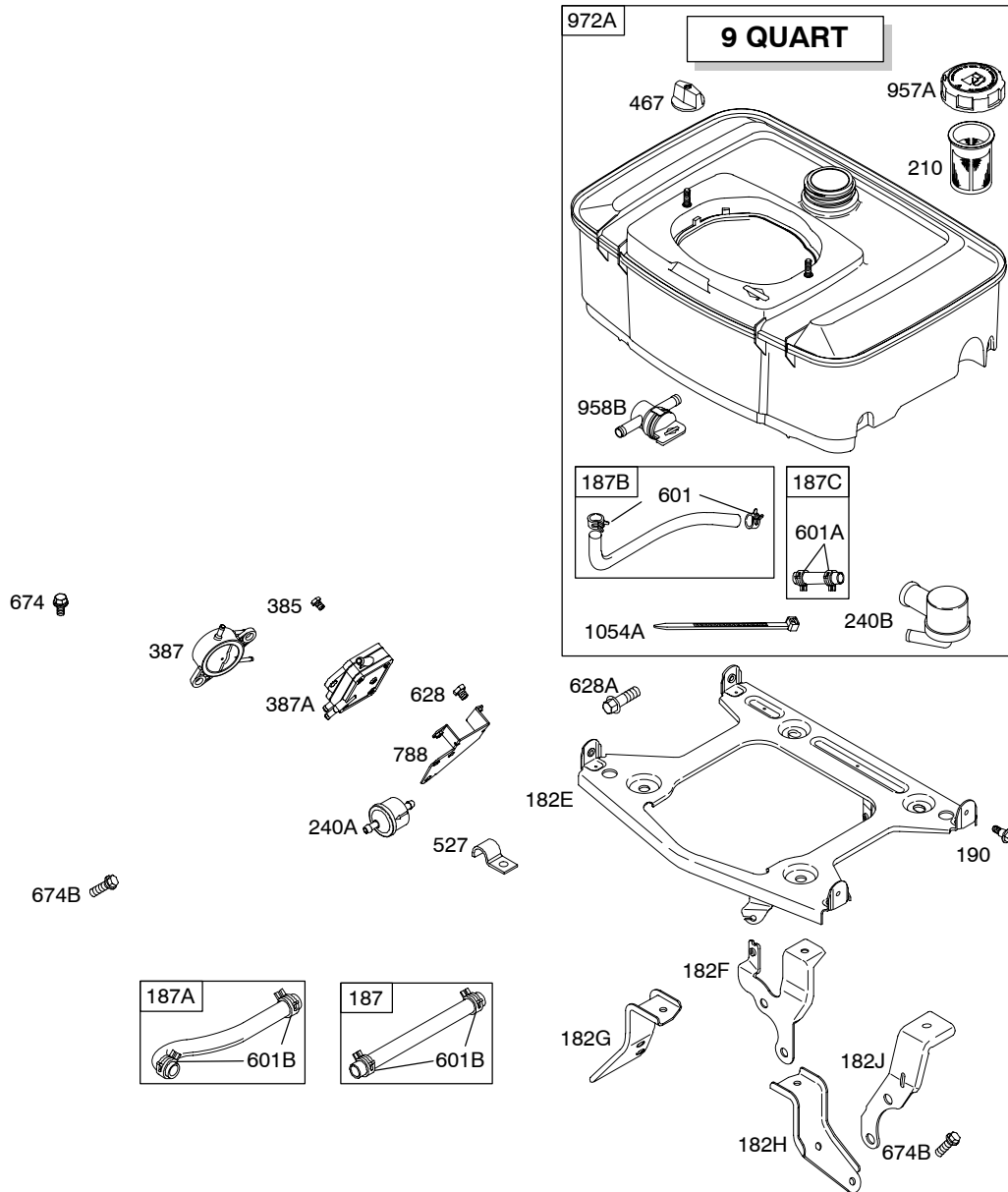
Illustrations cover a range of engines. Parts shown without corresponding text may not be used on your specific engine.

5761-8

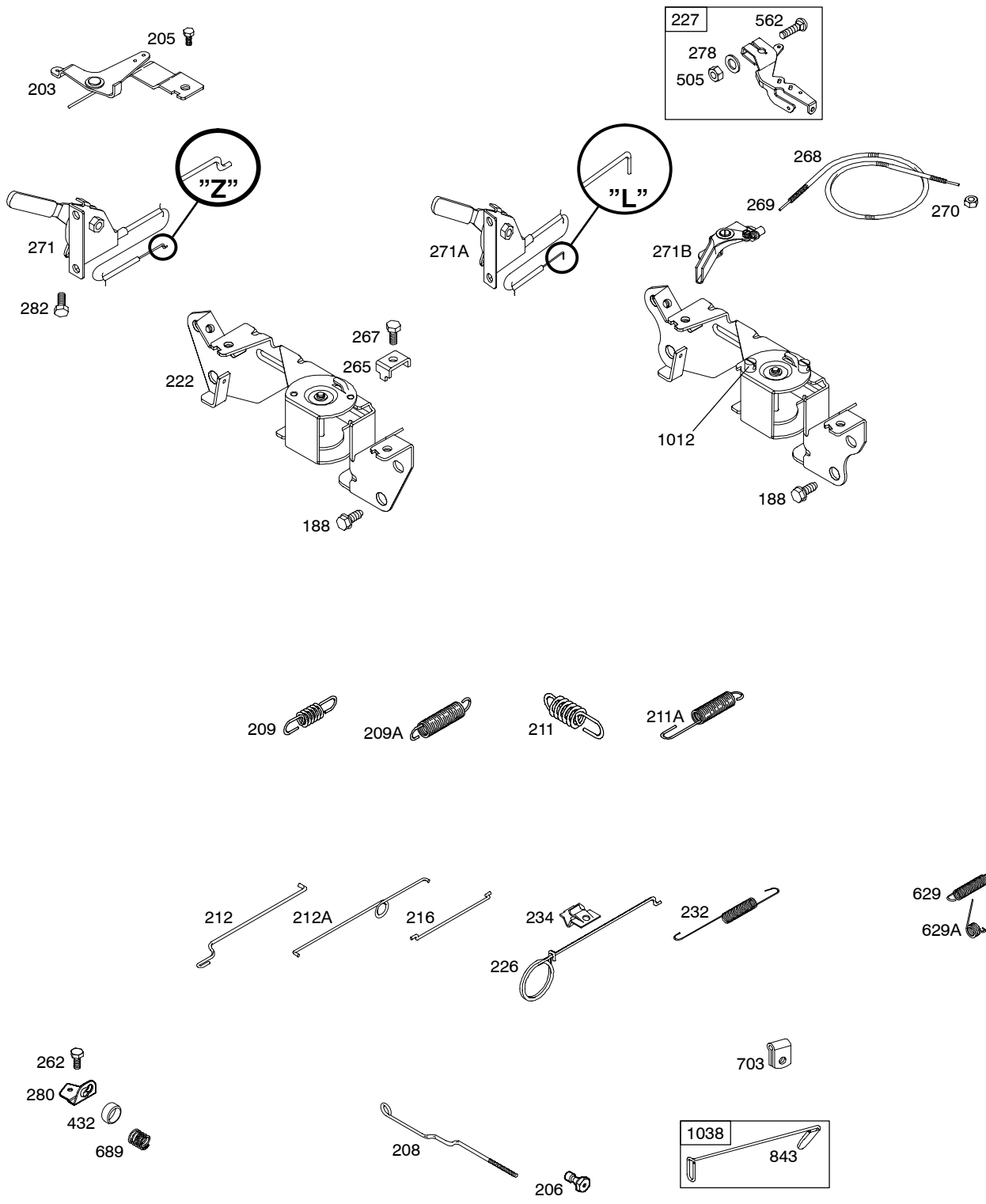
Assemblies include all parts shown in frames.

08/22/2006

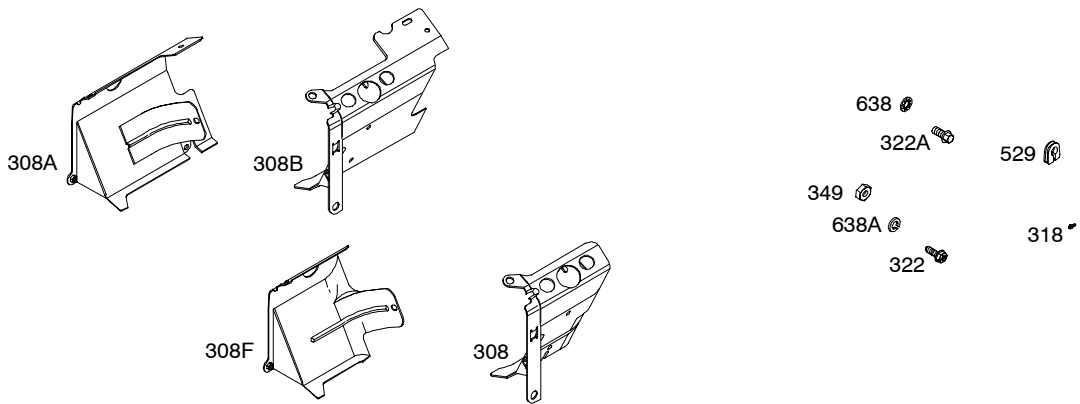
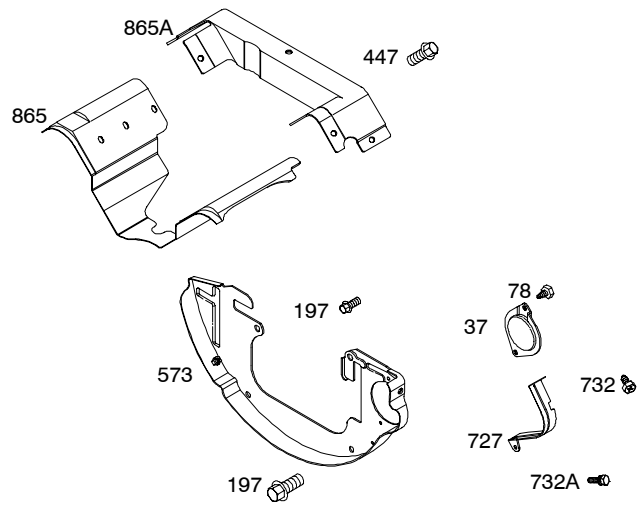




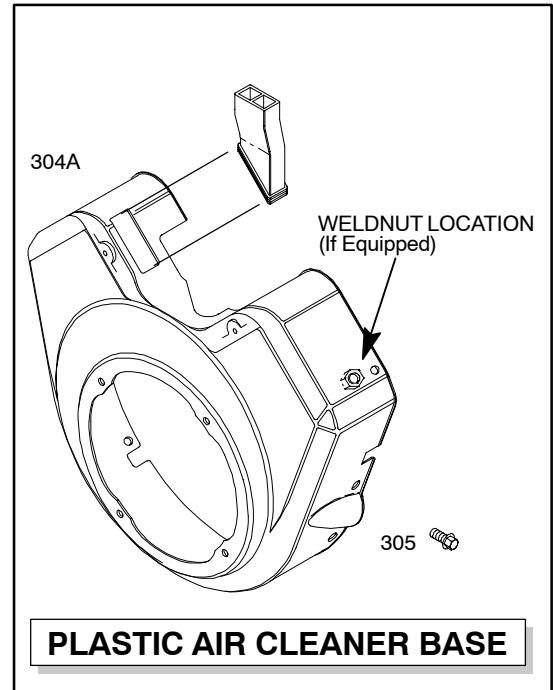
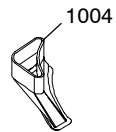
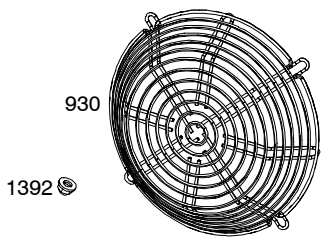
Illustrations cover a range of engines. Parts shown without corresponding text may not be used on your specific engine.



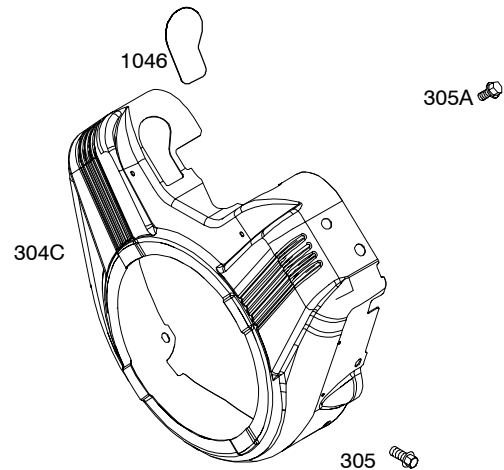
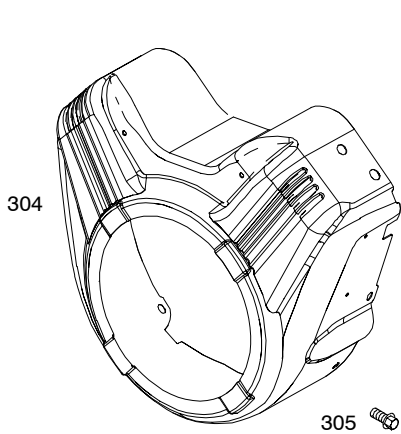
Illustrations cover a range of engines. Parts shown without corresponding text may not be used on your specific engine.



*Illustrations cover a range of engines. Parts shown without corresponding text may not be used on your specific engine.*

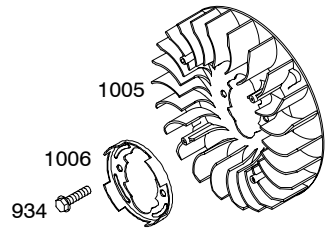
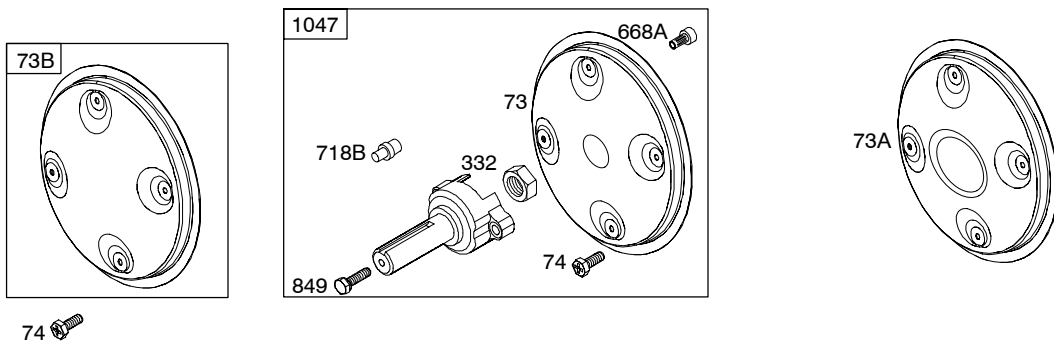
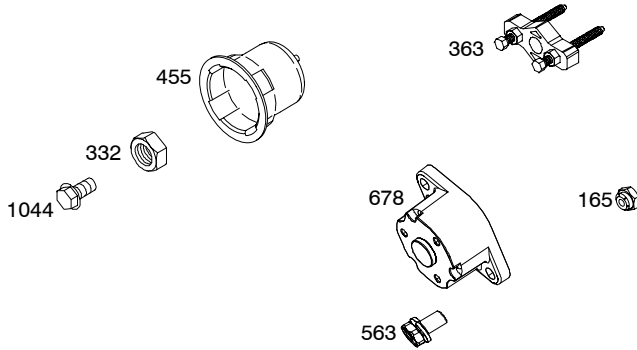
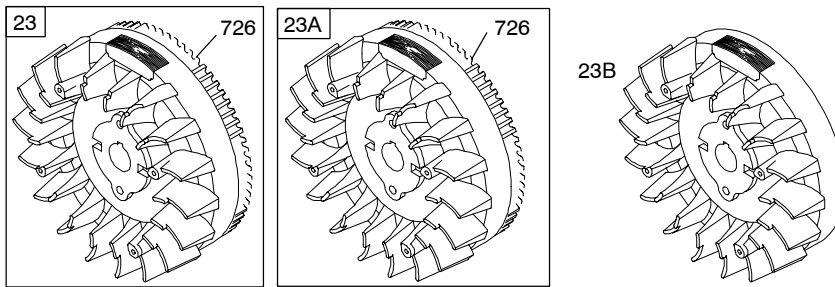


1036 EMISSIONS LABEL

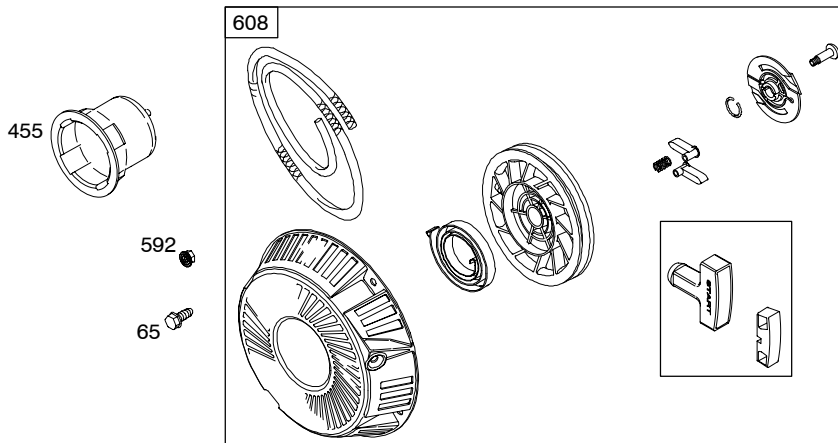


*Illustrations cover a range of engines. Parts shown without corresponding text may not be used on your specific engine.*  
5761-12 Assemblies include all parts shown in frames.

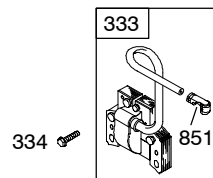
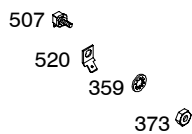
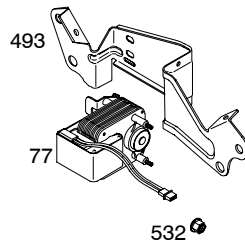
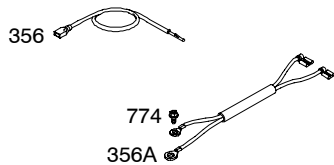
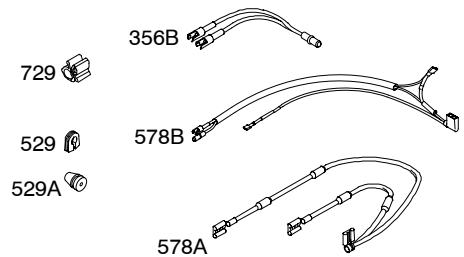
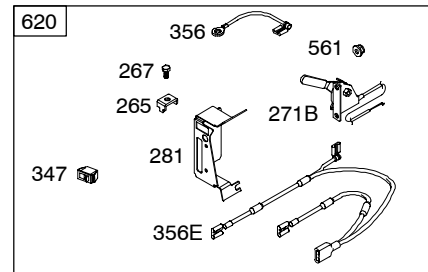
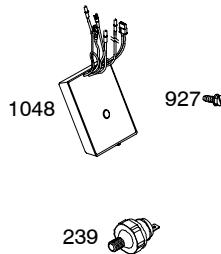
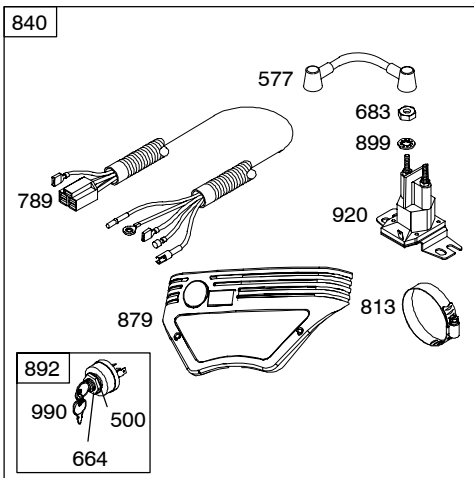
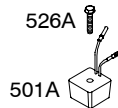
08/22/2006



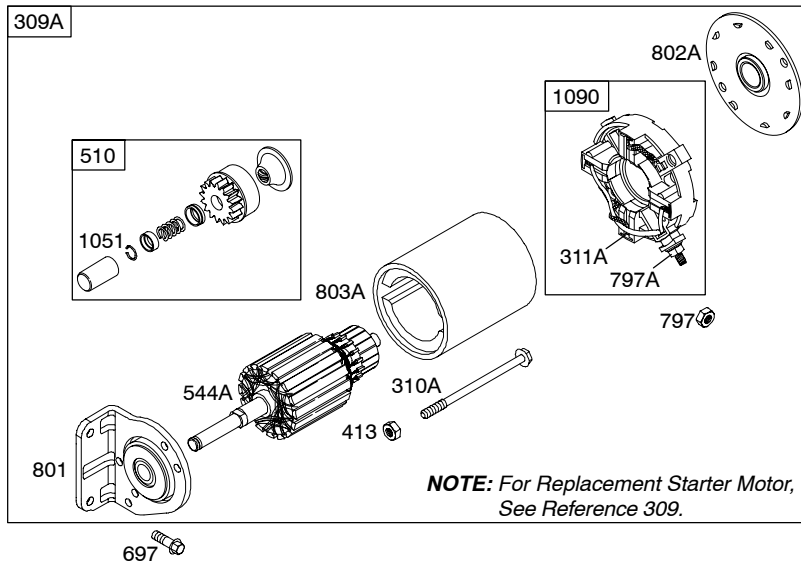
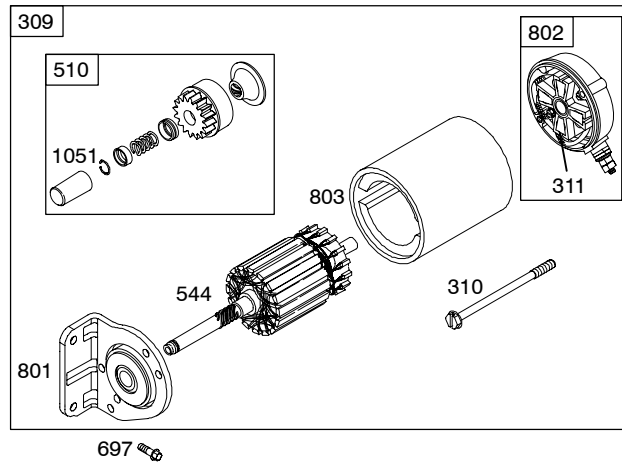
Illustrations cover a range of engines. Parts shown without corresponding text may not be used on your specific engine.  
 5761-13 Assemblies include all parts shown in frames. 08/22/2006



5 - 9 AMP		10 - 16 AMP		20 AMP		20 AMP POWER LINK	
474C	1059	474D	1059	474E	1059	474F	
<p><b>NOTE:</b> All stators use a No. 1119 mounting screw. </p>							

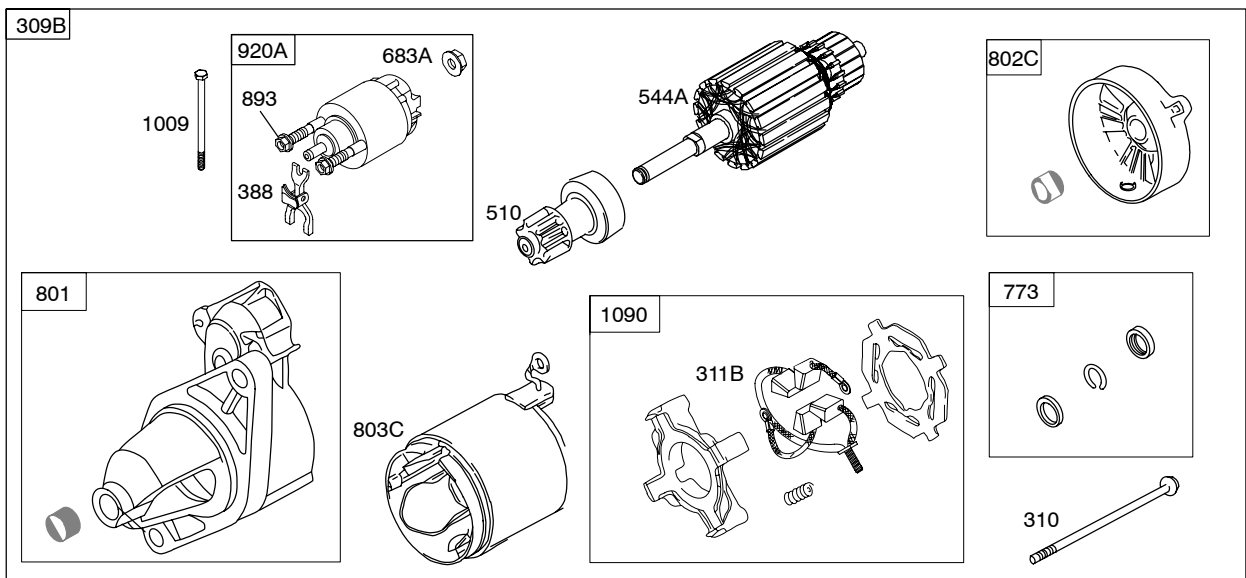
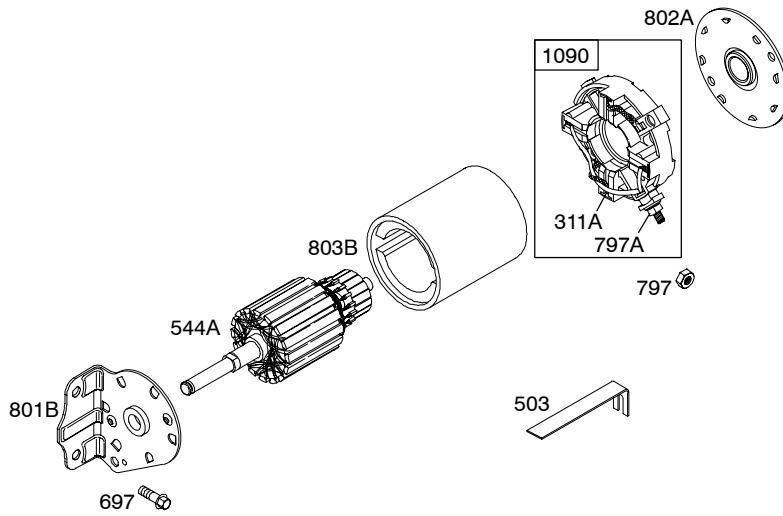


Illustrations cover a range of engines. Parts shown without corresponding text may not be used on your specific engine.



Illustrations cover a range of engines. Parts shown without corresponding text may not be used on your specific engine.





Illustrations cover a range of engines. Parts shown without corresponding text may not be used on your specific engine.

# 356400

REF. NO.	PART NO.	DESCRIPTION	REF. NO.	PART NO.	DESCRIPTION	REF. NO.	PART NO.	DESCRIPTION
1	692544	Cylinder Assembly ----- <b>Note</b> ----- <b>841579</b> Cylinder Assembly Used on Type No(s). 0116, 0166, 0167, 0175. <b>841562</b> Cylinder Assembly Used on Type No(s). 0130, 0165, 0207, 1415. <b>841146</b> Cylinder Assembly Used on Type No(s). 0155, 0183.	16	809806	Crankshaft ----- <b>Note</b> ----- <b>809842</b> Crankshaft Used on Type No(s). 0158, 0159, 0161, 0162, 0164, 0166, 0167, 0169, 0172, 0186, 0197, 0199, 0200, 0201, 0207, 0215, 0216, 0331. <b>809811</b> Crankshaft Used on Type No(s). 0078, 0121, 0122, 0126, 0128, 0149, 0150, 0152, 0173, 0194, 0202, 0219. <b>809804</b> Crankshaft Used on Type No(s). 0171, 0189, 0191. <b>809822</b> Crankshaft Used on Type No(s). 0203. <b>809832</b> Crankshaft Used on Type No(s). 0133. <b>809836</b> Crankshaft Used on Type No(s). 0179.	23A	809174	Flywheel Used on Type No(s). 0116, 0166, 0167, 0175. ----- <b>Note</b> ----- <b>841050</b> Flywheel Used on Type No(s). 0115, 0135, 0142, 0174, 0200, 0217.
2	808534	Kit-Bushing/Seal (Magneto Side)				23B	841957	Flywheel Used on Type No(s). 0065, 0126, 0127, 0128.
3	★805101s	Seal-Oil (Magneto Side)				25	808326	Piston Assembly (Standard) ----- <b>Note</b> ----- <b>808337</b> Piston Assembly (.020" Oversize)
5	809185	Head-Cylinder (Cylinder 1)				26	807889	Ring Set (Standard) ----- <b>Note</b> ----- <b>807995</b> Ring Set (.020" Oversize)
5A	809186	Head-Cylinder (Cylinder 2)				27	690683	Lock-Piston Pin
7	★△690888	Gasket-Cylinder Head (Graphoil)				28	807886	Pin-Piston (Standard)
8	808984	Breather Assembly				29	807900s	Rod-Connecting (Standard) ----- <b>Note</b> ----- <b>807803</b> Rod-Connecting (.020" Undersize)
9	★809094	Gasket-Breather				32	690698	Screw (Connecting Rod)
10	690751	Screw (Breather Assembly)	17	690752	Bearing-Ball	33A	807681	Valve-Exhaust
11	691556	Tube-Breather Used on Type No(s). 0065, 0096, 0122, 0125, 0127, 0128, 0130, 0153, 0160, 0167, 0168, 0180, 0186, 0183, 0191, 0206, 0218.	18	808847	Cover-Crankcase ----- <b>Note</b> ----- <b>808850</b> Cover-Crankcase Used on Type No(s). 0203.	34A	807680	Valve-Intake
11A	806083s	Tube-Breather	18A	808508	Cover-Crankcase Used on Type No(s). 0115, 0116, 0149, 0150, 0174, 0175.	35	692084	Spring-Valve (Intake)
12	★691684	Gasket-Crankcase				36	692084	Spring-Valve (Exhaust)
13	692059	Screw (Cylinder Head)	20	★805049s	Seal-Oil (PTO Side)	37	841309	Guard-Flywheel
15	690946	Plug-Oil Drain	21	809500	Cap-Oil Fill	39	690745	Deflector-Oil
			22	807362	Screw (Crankcase Cover/Sump)	40	692058	Retainer-Valve
			23	809236	Flywheel (Steel Ring Gear) ----- <b>Note</b> ----- <b>841728</b> Flywheel Used on Type No(s). 0119, 0148, 0153. <b>842442</b> Flywheel Used on Type No(s). 0130, 0165, 0207, 1415.	42	807683	Keeper-Valve

★ Included in Engine Gasket Set-Ref. No. 358.

● Included in Carburetor Overhaul Kit-Ref. No. 121 or 121A.

△ Included in Valve Gasket Set-Ref. No. 1095B.

**Illustrations cover a range of engines. Parts shown without corresponding text may not be used on your specific engine.**

5761-18

Assemblies include all parts shown in frames.

08/22/2006

REF. NO.	PART NO.	DESCRIPTION	REF. NO.	PART NO.	DESCRIPTION	REF. NO.	PART NO.	DESCRIPTION
45	690977	Tappet-Valve	94	●808399	Kit-Idle Mixture	121	809021	Kit-Carburetor
46	691557	Camshaft	94A	●808257	Kit-Idle Mixture			Overhaul
		----- <b>Note</b> -----			Used on Type No(s).			Used on Type No(s).
		692157 Camshaft			0162, 0200.			0162, 0200.
		Used on Type No(s).	95	690718	Screw	121A	809024	Kit-Carburetor
		0115, 0116, 0149,			(Throttle Valve)			Overhaul
		0150, 0174, 0175.	97	809062	Shaft-Throttle	122	690691	Spacer-Carburetor
50	690754	Manifold-Intake			----- <b>Note</b> -----			Used on Type No(s).
51	★691694	Gasket-Intake			807495 Shaft-Throttle			0162, 0172, 0179,
		(Manifold To			Used on Type No(s).			0200.
		Carburetor)	97A	842734	Shaft-Throttle	122A	690747	Spacer-Carburetor
51A	★△692035	Gasket-Intake			Used on Type No(s).	125B	809017	Carburetor
		(Manifold to Head)			0179.			----- <b>Note</b> -----
54	690676	Screw			98	808177	Kit-Idle Speed	809019 Carburetor
		(Intake Manifold)	98A	808981	Kit-Idle Speed			(Gravity Feed)
65	690341	Screw			Used on Type No(s).			Used on Type No(s).
		(Rewind Starter)			0162, 0179, 0200.			0065, 0066, 0096,
73	841582	Screen-Rotating	102A	●692077	Gasket-Carburetor			0122, 0125, 0127,
		Used on Type No(s).			Body			0130, 0153, 0167,
		0114, 0115, 0116,	104	●690723	Pin-Float Hinge			0168, 0173, 0183.
		0148, 0154, 0156,	105	●805620	Valve-Float Needle			842733 Carburetor
		0172, 0174, 0175,			Used on Type No(s).			(Includes Solenoid)
		0179, 0220.			0065, 0066, 0122,			Used on Type No(s).
73A	841662	Screen-Rotating			0125, 0127, 0153,			0179.
73B	841440	Screen-Rotating			0167, 0168, 0173,	125C	809217	Carburetor
		Used on Type No(s).			0183.			Used on Type No(s).
		0079, 0117, 0118,	108	690719	Valve-Choke			Used on Type No(s).
		0124, 0135, 0139,			Used on Type No(s).	130	690726	Valve-Throttle
		0140, 0153, 0157,			0162, 0200.			Used on Type No(s).
		0158, 0159, 0162,	108A	806134	Valve-Choke			0162, 0200.
		0171, 0177, 0191,	109	808398	Shaft-Choke	130C	806132	Valve-Throttle
		0197, 0200, 0201,	109A	809096	Shaft-Choke	132A	690863	Stop-Throttle
		0203, 0216.			Used on Type No(s).			----- <b>Note</b> -----
74	841441	Screw			0162, 0200.			692155 Stop-Throttle
		(Rotating Screen)			110	806861	Washer	Used on Type No(s).
		(Used After Code Date						0161.
		04021500).			117	●690862	Jet-Main	
		----- <b>Note</b> -----						
		807112 Screw						
		(Rotating Screen)						
		(Used Before Code						
		Date 04021600).	117B	●806126	Jet-Main	133A	806961	Float-Carburetor
77	690819	Motor-Servo			(Standard)	142	●690725	Nozzle-Carburetor
78	690688	Screw			Used on Type No(s).			(Standard)
		(Flywheel Guard)			0162, 0200.			Used on Type No(s).
91	809208	Body-Upper	118	809685	Jet-Main			0162, 0200.
		Carburetor			(High Altitude)	142A	●806128	Nozzle-Carburetor
		Used on Type No(s).						(Standard)
		0162, 0200.	119	690720	Screw	146	691639	Key-Timing
					(Upper To Lower	151	841185	Stud
					Carburetor Body)			(Exhaust Manifold)

★ Included in Engine Gasket Set-Ref. No. 358.

● Included in Carburetor Overhaul Kit-Ref. No. 121 or 121A.

△ Included in Valve Gasket Set-Ref. No. 1095B.

**Illustrations cover a range of engines. Parts shown without corresponding text may not be used on your specific engine.**

5761-19

Assemblies include all parts shown in frames.

08/22/2006

# 356400

REF. NO.	PART NO.	DESCRIPTION	REF. NO.	PART NO.	DESCRIPTION	REF. NO.	PART NO.	DESCRIPTION
161	691561	Base–Air Cleaner (Metal)	203	690923	Crank–Bell	209A	690709	Spring–Governor Used on Type No(s). 0121, 0122, 0126, 0128, 0202, 0203.
161A	842830	Base–Air Cleaner (Metal) Used on Type No(s). 0114, 0117, 0139, 0156, 0158, 0161, 0172, 0220.	205	692083	Screw (Bell Crank)			----- <b>Note</b> -----
161B	808414	Base–Air Cleaner (Metal) Used on Type No(s). 0065, 0096, 0122, 0125, 0127, 0128, 0130, 0153, 0160, 0167, 0168, 0180, 0183, 0186, 0191, 0206, 0218.	206	691244	Nut–Governor Adjusting			<b>690710</b> Spring–Governor Used on Type No(s). 0121, 0122, 0126, 0128, 0202, 0203, 0216.
163	★692081	Gasket–Air Cleaner	208	691549	Rod–Governor Control	210	691370	Strainer–Fuel
165	693148	Nut (Ring Gear)	209	692070	Spring–Governor (Main)	211	692069	Spring–Governed Idle (Red)
167	692297	Seal–Air Cleaner Nut			----- <b>Note</b> -----			----- <b>Note</b> -----
182E	841601	Bracket–Fuel Tank			<b>692071</b> Spring–Governor (White) Used on Type No(s). 0117, 0118, 0135, 0140, 0161, 0179.			<b>692068</b> Spring–Governed Idle (Red) Used on Type No(s). 0078, 0141, 0152, 0159, 0162, 0173, 0179, 0189, 0194, 0219.
182F	691520	Bracket–Fuel Tank			<b>691506</b> Spring–Governor (Yellow) Used on Type No(s). 0078, 0141, 0152, 0194, 0219.			<b>691505</b> Spring–Governed Idle (White) Used on Type No(s). 0133, 0135, 0142, 0164, 0217, 1415.
182G	841600	Bracket–Fuel Tank			<b>691508</b> Spring–Governor (Blue) Used on Type No(s). 0156, 0158, 0172, 0179, 0201.			<b>691553</b> Spring–Governed Idle (Green) Used on Type No(s). 0165.
182H	691524	Bracket–Fuel Tank			<b>690716</b> Spring–Governor (Green) Used on Type No(s). 0133, 0142, 0189, 1415.			<b>806868</b> Spring–Governed Idle (Blue) Used on Type No(s). 0162, 0200.
182J	691525	Bracket–Fuel Tank			<b>691507</b> Spring–Governor (Brown) Used on Type No(s). 0154, 0165, 0199.			<b>211A 690707</b> Spring–Governed Idle (White) Used on Type No(s). 0121, 0122, 0126, 0128, 202, 0203.
187	791766	Line–Fuel (Cut To Required Length)			<b>805630</b> Spring–Governor Used on Type No(s). 0173.			<b>212 690712</b> Link–Throttle
187A	791801	Line–Fuel (Cut To Required Length) Used on Type No(s). 0122, 0125, 0127, 0128, 0130.			<b>806507</b> Spring–Governor (Black) Used on Type No(s). 0165, 0217.			<b>212A 691519</b> Link–Throttle
187B	692107	Line–Fuel Used on Type No(s). 0122, 0125, 0127, 0128, 0130.			<b>806872</b> Spring–Governor (Orange) Used on Type No(s). 0162, 0200.			<b>216 690705</b> Link–Choke
187C	692106	Line–Fuel Used on Type No(s). 0122, 0125, 0127, 0128, 0130.						<b>217 806862</b> Spring–Choke Return
188	692056	Screw (Control Bracket) (14mm Bracket)						<b>222 808454</b> Bracket–Control (Used With Control Lever And/Or Wire With "Z" Formed End)
190	692199	Screw (Fuel Tank)						
192	807623	Adjuster–Rocker Arm						
197	807163	Screw (Back Plate)						

★ Included in Engine Gasket Set–Ref. No. 358.

● Included in Carburetor Overhaul Kit–Ref. No. 121 or 121A.

△ Included in Valve Gasket Set–Ref. No. 1095B.

**Illustrations cover a range of engines. Parts shown without corresponding text may not be used on your specific engine.**

5761–20

Assemblies include all parts shown in frames.

08/22/2006

REF. NO.	PART NO.	DESCRIPTION	REF. NO.	PART NO.	DESCRIPTION	REF. NO.	PART NO.	DESCRIPTION
226	692075	Rod-Hand Choke	300B	498984s	Muffler	305	692056	Screw
227	690236	Lever-Governor Control			Used on Type No(s). 0158, 0201.			(Blower Housing) (14mm)
231	690718	Screw (Choke Valve)	300D	692099	Muffler	305A	841233	Screw
232	692073	Spring-Governor Link			Used on Type No(s). 0066, 0149, 0150, 0152, 0186, 0191, 0202, 0219.			(Blower Housing) (M6 X 10)
234	691723	Clip-Control Rod	300E	690906	Muffler	308	841183	Cover-Cylinder Head (Cylinder 1)
239	690233	Switch-Oil Pressure	300F	690931	Muffler (Hi Mount) (Starter Side Exit)	308A	841316	Cover-Cylinder Head (Cylinder 2)
		----- Note ----- 491657s Switch-Oil Pressure			Used on Type No(s). 0154, 0199.			Used on Type No(s). 0124, 0154, 0179, 0199.
		Used on Type No(s). 0066, 0135, 0142, 0145, 0191, 0217, 0194.	300G	691562	Muffler	308B	841317	Cover-Cylinder Head (Cylinder 1)
240A	691035	Filter-Fuel			Used on Type No(s). 0133, 0172, 0206.			Used on Type No(s). 0124, 0154, 0179, 0199.
240B	808116s	Filter-Fuel			----- Note ----- 692464 Muffler	308F	841182	Cover-Cylinder Head (Cylinder 2)
		Used on Type No(s). 0122, 0125, 0127, 0128, 0130, 0218.			Used on Type No(s). 0161.	309	691564	Motor-Starter (Steel Ring Gear Only)
255	690721	Bushing-Choke Shaft	300K	808379	Muffler	309A		Motor-Starter (For Replacement Starter Motor, Order Reference 309)
262	692083	Screw (Rod Bracket)			Used on Type No(s). 0133.			
265	691024	Clamp-Casing	300L	808380	Muffler	309B	808817	Motor-Starter Used on Type No(s). 0116, 0155, 0166, 0167, 0183, 0175.
267	692083	Screw (Casing Clamp)	304	841397	Housing-Blower			
268	691025	Casing-Control Wire			Used on Type No(s). 0114, 0117, 0118, 0124, 0156, 0159, 0162, 0172, 0177, 0179, 0199, 0200, 0203, 0216, 0220.	310	496880	Screw (Starter Motor)
269	691026	Wire-Control			----- Note ----- 842710 Housing- Blower	310A	690323	Screw (Starter Motor)
270	691027	Nut (Control Wire Casing)			Used on Type No(s). 0149, 0150.	311	496887	Brush Set
271	692541	Lever-Control	304A	841398	Housing-Blower	311A	497608	Brush Set
271A	692105	Lever-Control			Used on Type No(s). 0079, 0115, 0116, 0139, 0140, 0154, 0157, 0171, 0174, 0191, 0197, 0201.	311B	825411	Brush Set
271B	691028	Lever-Control			----- Note ----- 842742 Housing- Blower	318	690932	Screw (Mounting Bracket)
273	690681	Seal-O Ring (Oil Pump)			Used on Type No(s). 0149, 0150.	322	841233	Screw (Cylinder Head Cover)
276*	690724	Washer-Sealing	304C	841732	Housing-Blower	322A	692067	Screw (Cylinder Head Cover)
276A	807085	Washer-Sealing (Head)(Rocker Cover)			Used on Type No(s). 0152, 0158, 0161, 0164, 0166, 0167, 0169, 0202, 0215, 0331.			Used on Type No(s). 0124, 0154, 0179.
276B	806137	Washer-Sealing (Solenoid)				332	690887	Nut (Flywheel)
278	842122	Washer (Governor Control Lever)				333	492341	Armature-Magneto
280	691526	Bracket-Rod				334	692066	Screw (Magneto Armature)
281	690742	Panel-Control						
282	692083	Screw (Control Lever)						
287	692062	Screw (Dipstick Tube)						

★ Included in Engine Gasket Set-Ref. No. 358.

● Included in Carburetor Overhaul Kit-Ref. No. 121 or 121A.

△ Included in Valve Gasket Set-Ref. No. 1095B.

**Illustrations cover a range of engines. Parts shown without corresponding text may not be used on your specific engine.**

5761-21

Assemblies include all parts shown in frames.

08/22/2006

# 356400

REF. NO.	PART NO.	DESCRIPTION	REF. NO.	PART NO.	DESCRIPTION	REF. NO.	PART NO.	DESCRIPTION
337	491055s	Plug-Spark ----- <b>Note</b> ----- <b>792015</b> Plug-Spark Used on Type No(s). 0065, 0066, 0075, 0078, 0079, 0096, 0119, 0121, 0122, 0123, 0124, 0125, 0126, 0127, 0128, 0129, 0130, 0135, 0139, 0141, 0142, 0145, 0152, 0154, 0155, 0156, 0157, 0158, 0162, 0163, 0168, 0171, 0183, 0194, 0201, 0202, 0206, 0215, 1415. <b>496018S</b> Plug-Spark Used on Type No(s). 0162, 0179, 0200. <b>691043</b> Plug-Spark Used on Type No(s). 0186.	385	807084	Screw (Fuel Pump)	467	691985	Knob-Air Cleaner
338	★△691312	Gasket-Dipstick (Dipstick Gasket)	387	808656	Pump-Fuel	468	★690690	Seal-O Ring (Oil Pump Screen)
346	690661	Screw (Spark Arrestor)	387A	808969	Pump-Fuel Used on Type No(s). 0162, 0179, 0200.	474C	696457	Alternator (9 Amp Regulated) Used on Type No(s). 0153.
347	691995	Switch-Rocker	388	820799	Lever-Pinion Drive	474D	696458	Alternator (10-16 Amp Regulated)
349	690238	Nut (Cylinder Head Cover)	413	693587	Nut (Starter Motor)	474E	696579	Alternator
356	690796	Wire-Stop (Control Panel)	415	690283	Plug	474F	841588	Alternator (20 Amp) ----- <b>Note</b> ----- <b>841178</b> Alternator Used on Type No(s). 0130, 0165, 0207, 1415. <b>841833</b> Alternator (20 Amp) Used on Type No(s). 0066.
356A	690809	Wire-Stop	436A	691499	Manifold-Exhaust (Lo Mount) (Starter Motor Side) Used on Type No(s). 0135, 0141, 0142, 0145, 0149, 0150, 0152, 0173, 0191, 0202, 0217, 0219, 1415.	479	807084	Screw (Oil Pump Screen) ----- <b>Note</b> ----- <b>692537</b> Screw (Oil Pump Screen) Used on Type No(s). 0115, 0149, 0150, 0174.
356B	692961	Wire-Stop	436B	691501	Manifold-Exhaust	493	691518	Bracket-Mounting
356E	691999	Wire-Stop	436C	691502	Manifold-Exhaust (Cylinder 1) (Side Outlet) Used on Type No(s). 0158, 0201.	500	691086	Washer (Key Switch)
357	691483	Key-Drive Pulley	437	691902	Screw (Exhaust Manifold)	501	691185	Regulator (10-16 Amp Regulated) ----- <b>Note</b> ----- <b>493219</b> Regulator Used on Type No(s). 0123, 0125, 0177, 0216.
358	841188	Gasket Set-Engine	439	★692154	Seal-O Ring (Crankcase Cover/Sump)	501A	691188	Regulator (5 To 9 Amp Regulated) Used on Type No(s). 0153.
359	691077	Washer (Ground Terminal)	445	394018s	Filter-Air Cleaner Cartridge ----- <b>Note</b> ----- <b>692519</b> Filter-Air Cleaner Cartridge Used on Type No(s). 0220.	501B	691573	Regulator (20 Amp) ----- <b>Note</b> ----- <b>808877</b> Regulator Used on Type No(s). 0145. <b>841170</b> Regulator (20 Amp) Used on Type No(s). 0130, 0165, 0207, 1415.
363	19203	Puller-Flywheel	445B	393957s	Filter-Air Cleaner Cartridge Used on Type No(s). 0065, 0096, 0122, 0125, 0127, 0130, 0153, 0160, 0167, 0168, 0180, 0183, 0191, 0206.			
365	690711	Screw (Carburetor)	447	841233	Screw (Air Guide Cover)			
373	691612	Nut (Ground Terminal)	455	841794	Cup-Flywheel			
377	808095	Key-Woodruff						
383	19374s	Wrench-Spark Plug ----- <b>Note</b> ----- <b>19576s</b> Wrench-Spark Plug Used on Type No(s). 0139, 0156, 0157, 0201.						

★ Included in Engine Gasket Set-Ref. No. 358.

● Included in Carburetor Overhaul Kit-Ref. No. 121 or 121A.

△ Included in Valve Gasket Set-Ref. No. 1095B.

**Illustrations cover a range of engines. Parts shown without corresponding text may not be used on your specific engine.**

5761-22

Assemblies include all parts shown in frames.

08/22/2006

REF. NO.	PART NO.	DESCRIPTION	REF. NO.	PART NO.	DESCRIPTION	REF. NO.	PART NO.	DESCRIPTION	
503	691532	Strap-Starter	562	690239	Bolt (Governor Control Lever)	613A	692067	Screw (Muffler) Used on Type No(s). 0066, 0149, 0152, 0202, 0219.	
505	690238	Nut (Governor Control Lever)	563	841735	Screw (Debris Screen Guard)	615	691550	Retainer-Governor Shaft	
506	807120	Screw (Carburetor Cover)	565	690682	Stud (Oil Filter Adapter)	616	806685	Crank-Governor	
507	691972	Insulator	572	690686	Baffle-Breather	620	494052	Panel-Speed Control	
510	496881	Drive-Starter	573	841310	Plate-Back	628	806660	Screw (Fuel Pump Bracket)	
520	691084	Terminal-Ground	----- <b>Note</b> -----			628A	692062	Screw (Fuel Pump Bracket) Used on Type No(s). 0162, 0179, 0200.	
523A	693175	Dipstick			841311	Plate-Back Used on Type No(s). 0116, 0166, 0167, 0175.	629	806717	Spring-Throttle Return
524	★△693172	Seal-Dipstick Tube			841127	Plate-Back Used on Type No(s). 0155, 0183.	629A	806716	Spring-Throttle Return
525	693174	Tube-Dipstick (Standard)			841314	Plate-Back Used on Type No(s). 0165, 1415.	633	●690722	Seal-Choke/Throttle Shaft
526	692067	Screw (Regulator)(10-16 Amp Regulated)	577	690795	Cable-Starter	633A	●806131	Seal-Choke/Throttle Shaft	
526A	690717	Screw (Regulator)(5 To 9 Amp Regulated) Used on Type No(s). 0153.	578	692306	Wire Assembly	635	692076	Boot-Spark Plug	
526B	691547	Screw (Regulator)(20 Amp)	578A	692319	Wire Assembly	638	691551	Washer (Cylinder Cover) (Internal Tooth Lockwasher) (Used Before Code Date 03110100).	
527	690423	Clamp-Tube	578B	691377	Wire Assembly Used on Type No(s). 0116, 0149, 0150, 0175.	638A	690706	Washer (Cylinder Head Cover)(Internal Tooth Lockwasher) Used on Type No(s). 0124, 0154, 0179.	
529	690744	Grommet	592	690939	Nut (Rewind Starter)	643	692079	Retainer-Air Filter	
529A	691527	Grommet Used on Type No(s). 0065, 0066, 0096, 0122, 0125, 0128, 0130, 0153, 0160, 0167, 0168, 0180, 0183, 0186, 0191, 0206, 0218.	596	691492	Screw (Oil Pump)	643A	690447	Retainer-Air Filter Used on Type No(s). 0065, 0096, 0122, 0125, 0127, 0130, 0153, 0160, 0167, 0168, 0180, 0183, 0191, 0206, 0218.	
532	691115	Nut (Mounting Bracket)	598	807625	Shim-End Play (Crankshaft or Camshaft Bearing)	650	692539	Screw (Oil Deflector)	
544		Armature-Starter (For Replacement Armature, Order Reference 309)	601	691038	Clamp-Hose				
544A		Armature-Starter (Service With 691564 Starter Motor Only)	601A	691522	Clamp-Hose				
552	690701	Bushing-Governor Crank (Output End)	601B	791850	Clamp-Hose				
552A	806686	Bushing-Governor Crank	608	841729	Starter-Rewind				
561	690713	Nut (Control Lever)	613	691902	Screw (Muffler) ----- <b>Note</b> ----- 692328 Screw (Muffler) Used on Type No(s). 0154.				

★ Included in Engine Gasket Set-Ref. No. 358.

● Included in Carburetor Overhaul Kit-Ref. No. 121 or 121A.

△ Included in Valve Gasket Set-Ref. No. 1095B.

**Illustrations cover a range of engines. Parts shown without corresponding text may not be used on your specific engine.**

5761-23

Assemblies include all parts shown in frames.

08/22/2006

# 356400

REF. NO.	PART NO.	DESCRIPTION	REF. NO.	PART NO.	DESCRIPTION	REF. NO.	PART NO.	DESCRIPTION
664	691087	Nut (Key Switch)	727	841313	Cover-Starter Drive	803	690854	Housing-Starter
668A	691500	Spacer	728	691514	Screw (Heat Shield)	803A	693547	Housing-Starter
674	692056	Screw (Fuel Tank Bracket) (M8 X 14)	728B	692067	Screw (Heat Shield)	803B		Housing-Starter (Serviced By <b>691564</b> Starter Motor Only)
674B	692062	Screw (Fuel Tank Bracket) (M8 X 18)	729	690586	Clip-Wire	803C	820783	Housing-Starter
676	393761	Deflector-Muffler Used on Type No(s). 0150, 0158, 0201, 0203.	732	690688	Screw (Starter Drive Cover)	813	690635	Clamp
676A	397630	Deflector-Muffler Used on Type No(s). 0162, 0200.	732A	841233	Screw (Starter Drive Cover)	816	690706	Washer (Oil Filter Adapter)
676B	396903	Deflector-Muffler Used on Type No(s). 0207.	737	690679	Screw (Oil Filter Adapter)	819	692056	Screw (Muffler Bracket) (M8 X 14)
676C	495518	Deflector-Muffler	741	691530	Gear-Timing	819D	692062	Screw (Muffler Bracket) (M8 X 18)
677	810079	Screw (Muffler Deflector)	773		Retainer (For Replacement Starter Motor, Order Reference 309B)	830	809157	Stud-Rocker Arm
677B	690661	Screw (Muffler Deflector)	774	692067	Screw (Stop Wire)	832	691571	Guard-Muffler
678	841730	Spacer-Rewind	788	691559	Bracket-Fuel Pump	833	841233	Screw (Air Cleaner Mounting Strap/Stud)
681	808798	Kit-Needle/Seat	789	691996	Harness-Wiring	833B	691593	Screw (Air Cleaner Mounting Strap/Stud) Used on Type No(s). 0065, 0096, 0122, 0125, 0127, 0128, 0130, 0153, 0167, 0168, 0183, 0186, 0191, 0218.
683	691029	Nut (Starter Solenoid)			----- <b>Note</b> ----- <b>841318</b> Harness- Wiring	836	691514	Screw (Muffler Guard)
683A	820809	Nut (Starter Solenoid)			Used on Type No(s). 0155, 0183.	836A	692067	Screw (Muffler Guard)
689	691272	Spring-Friction			<b>842744</b> Harness- Wiring	837	808085	Spacer-Muffler
691	690680	Seal-Governor Shaft			Used on Type No(s). 0166, 0167.	840	842828	Kit-Panel (Used After Code Date 06011800)
697	692062	Screw (Drive Cap)			<b>691578</b> Harness- Wiring			----- <b>Note</b> ----- <b>692096</b> Kit-Panel (Used Before Code Date 06011900)
703	807116	Clip	797	691029	Nut (Brush Retainer)	843	691322	Sleeve-Lever
710	807689	Cover-Oil Filter	797A	693167	Nut (Brush Retainer)	849	691088	Screw (Stub Shaft)
711	841233	Screw (Carburetor Shield)			Used on Type No(s). 0217, 0142.	851	493880s	Terminal-Spark Plug
718	806469	Pin-Locating	801	808778	Cap-Drive			
718B	841581	Pin-Locating (Used After Code Date 04021500).	801B	691283	Cap-Drive			
		----- <b>Note</b> ----- <b>690740</b> Pin-Locating (Used Before Code Date 04021600).	802	496813	Cap-End			
725A	805702	Shield-Heat	802A	691286	Cap-End			
725B	691498	Shield-Heat	802C		Cap-End (For Replacement Starter Motor, Order Reference 309B)			
725C	806102	Shield-Heat						
726		Gear-Ring (Steel)(See Reference 23 for Service)						

★ Included in Engine Gasket Set-Ref. No. 358.

● Included in Carburetor Overhaul Kit-Ref. No. 121 or 121A.

△ Included in Valve Gasket Set-Ref. No. 1095B.

**Illustrations cover a range of engines. Parts shown without corresponding text may not be used on your specific engine.**

5761-24

Assemblies include all parts shown in frames.

08/22/2006



REF. NO.	PART NO.	DESCRIPTION	REF. NO.	PART NO.	DESCRIPTION	REF. NO.	PART NO.	DESCRIPTION	
862	692153	Strap/Stud–Air Cleaner Mounting		842129	Cover–Carburetor (Used Before Code Date 04100100). Used on Type No(s). 0065, 0127, 0128.	899	691077	Washer (Starter Solenoid)	
862D	691565	Strap/Stud–Air Cleaner Mounting Used on Type No(s). 0065, 0096, 0122, 0125, 0127, 0128, 0130, 0153, 0167, 0168, 0183, 0191, 0218.		842128	Cover–Carburetor (Used Before Code Date 04100100). Used on Type No(s). 0066, 0096, 0122, 0125.	914	807120	Screw (Rocker Cover)	
863	691513	Bracket–Muffler ----- <b>Note</b> ----- 690756 Bracket–Muffler Used on Type No(s). 0186.		842129	Cover–Carburetor Used on Type No(s). 0119, 0126.	918	393815	Hose–Vacuum (Cut To Required Length)	
865	807119	Cover–Air Guide (Black)		842269	Cover–Carburetor Used on Type No(s). 0114, 0117, 0139, 0156, 0158, 0161, 0172, 0220.	920	691656	Solenoid–Starter	
865A	841319	Cover–Air Guide (Aluminum) Used on Type No(s). 0124, 0154, 0179, 0199.		842132	Cover–Carburetor Used on Type No(s). 0075, 0078, 0079, 0121, 0123, 0133, 0141, 0142, 0145, 0149, 0150, 0152, 0155, 0157, 0166, 0169, 0173, 0194, 0197, 0202, 0203, 0207, 0215, 0216, 0217, 0219, 1415.	920A	825418	Solenoid–Starter	
868	★△691963	Seal–Valve		883	★△691613	Gasket–Exhaust	927	691116	Screw (Electronic Governor Module) Used on Type No(s). 0116, 0117, 0149, 0150.
871	692057	Bushing–Valve Guide		884	690898	Clamp–Muffler	930	841490	Guard–Rewind Used on Type No(s). 0158.
877B	393537	Wire/Connector–Alternator		884A	691956	Clamp–Muffler Used on Type No(s). 0158, 0201.	934	691058	Screw (Fan Retainer)
877C	399916	Wire/Connector–Alternator (2 Wires, 7–53/64” Long)(2 Bare Wire Ends, And Insulated Snap Connect Male Pin Terminal)		892	692318	Switch–Key	947A	692094	Solenoid–Fuel
877D	698092	Wire/Connector–Alternator		893	820805	Nut (Starter Solenoid)	955A	807723	Plug–Carburetor
878	691362	Harness–Alternator					957A	493988s	Cap–Fuel Tank (Plastic)
879	841607	Cover–Carburetor ----- <b>Note</b> ----- 842132 Cover–Carburetor (Used After Code Date 04093000). Used on Type No(s). 0065, 0066, 0096, 0122, 0125, 0127, 0128, 0160, 0180, 0186, 0206, 0218.					958B	692008	Valve–Fuel Shut Off (Plastic)
							967	272490s	Filter–Pre Cleaner ----- <b>Note</b> ----- 692520 Filter–Pre Cleaner Used on Type No(s). 0220.
							967C	271794s	Filter–Pre Cleaner Used on Type No(s). 0065, 0096, 0122, 0125, 0127, 0130, 0153, 0160, 0167, 0168, 0180, 0183, 0191, 0206, 0218.
							968	699959	Cover–Air Cleaner (With Clips)
							971	807084	Screw (Air Cleaner Base to Carburetor)
							972A	690663	Tank–Fuel (Plastic)
							988	★692063	Gasket–Oil Adapter
							988A	690687	Gasket–Oil Adapter
							990	691959	Key Set
							994	392390	Arrestor–Spark
							994A	808361	Arrestor–Spark
							996A	691577	Shield–Carburetor

★ Included in Engine Gasket Set–Ref. No. 358.

● Included in Carburetor Overhaul Kit–Ref. No. 121 or 121A.

△ Included in Valve Gasket Set–Ref. No. 1095B.

**Illustrations cover a range of engines. Parts shown without corresponding text may not be used on your specific engine.**

5761–25

Assemblies include all parts shown in frames.

08/22/2006

# 356400

REF. NO.	PART NO.	DESCRIPTION	REF. NO.	PART NO.	DESCRIPTION	REF. NO.	PART NO.	DESCRIPTION
1004	842258	Duct-Air ----- <b>Note</b> ----- 690743 Duct-Air Used on Type No(s). 0200.	1027	492932s	Filter-Oil (2 1/4" Long)	1091	●691516	Cap-Limiter
1005	841439	Fan-Flywheel	1028	808235	Adapter-Oil Filter ----- <b>Note</b> ----- 808033 Adapter-Oil Filter	1095B	841191	Gasket Set-Valve
1006	690452	Retainer-Fan			Used on Type No(s). 0066, 0116, 0135, 0141, 0142, 0145, 0149, 0150, 0152, 0173, 0191, 0194, 0202, 0217, 0219.	1100	791959	Pivot-Rocker Arm
1009	806474	Screw (Starter Motor)	1029	807323	Arm-Rocker	1119	691552	Screw (Alternator) ----- <b>Note</b> -----
1012	690592	Retainer-Link	1036		Label-Emissions (Available from an Authorized Briggs & Stratton Service Dealer)			841835 Screw (Alternator) Used on Type No(s). 0066.
1017	690900	Screen-Oil Pump	1038	691567	Rod-Fuel Shut Off	1133	690342	Screw (Crankshaft)
1019	808036	Kit-Label	1044	692056	Screw (Flywheel)	1176	842067	Nut (Exhaust Manifold)
1022★△	806039s	Gasket-Rocker Cover	1046	692082	Plug-Blower Housing	1254	807084	Screw (Rocker Cover Stud)
1023B	691494	Cover-Rocker	1047	841580	Shaft-Stub	1330	272144	Repair Manual
1023C	690910	Cover-Rocker (Cylinder 1) (With Fuel Pump)	1048	690669	Module-Electronic Governor	1346	492031	Valve-Oil Drain Shut Off
1023D	691558	Cover-Rocker	1051	691124	Ring-Retaining	1392	690939	Nut (Rewind Guard) Used on Type No(s). 0158.
1023E	691531	Cover-Rocker	1054A	280275	Tie-Cable			
1024	693185	Pump-Oil	1058	276343	Operator's Manual			
1025	690689	Spool-Governor	1059	698516	Kit-Screw/Washer			
1026	691836	Rod-Push (Steel) ----- <b>Note</b> ----- 691758 Rod-Push (Exhaust)(Aluminum)	1090	691293	Retainer-Brush			

★ Included in Engine Gasket Set-Ref. No. 358.

● Included in Carburetor Overhaul Kit-Ref. No. 121 or 121A.

△ Included in Valve Gasket Set-Ref. No. 1095B.

**Illustrations cover a range of engines. Parts shown without corresponding text may not be used on your specific engine.**

5761-26

Assemblies include all parts shown in frames.

08/22/2006

## Free Manuals Download Website

<http://myh66.com>

<http://usermanuals.us>

<http://www.somanuals.com>

<http://www.4manuals.cc>

<http://www.manual-lib.com>

<http://www.404manual.com>

<http://www.luxmanual.com>

<http://aubethermostatmanual.com>

Golf course search by state

<http://golfingnear.com>

Email search by domain

<http://emailbydomain.com>

Auto manuals search

<http://auto.somanuals.com>

TV manuals search

<http://tv.somanuals.com>