



Illustrated Parts List

Model Series

445600

TYPE NUMBERS
0110 through 1274.

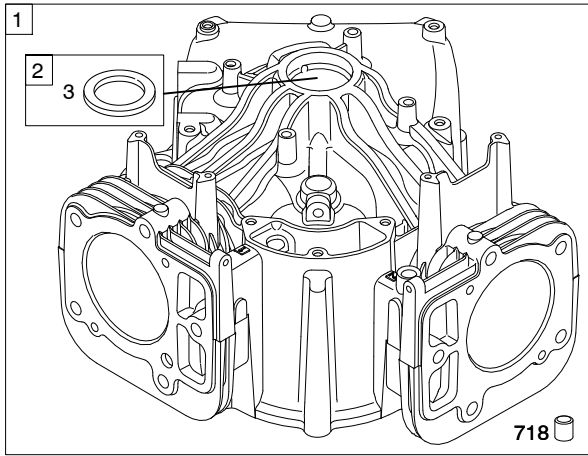
TABLE OF CONTENTS

Air Cleaner	6
Alternator	8
Blower Housing	6
Camshaft	2
Carburetor	5
Controls	7
Crankshaft	2
Cylinder	2
Cylinder Head	4
Electric Starter	7
Engine Sump	3
Exhaust System	7
Flywheel	7
Fuel Supply	6
Gasket Set - Engine	5
Gasket Set - Valve	4
Governor Spring	7
Ignition	8
Kit - Carburetor Overhaul	5
Lubrication	2
Piston, Rings, Connecting Rod	2
Valves	4



PRINTED IN U.S.A.

COPYRIGHT by BRIGGS & STRATTON CORPORATION
All rights reserved. No part of this material may be reproduced or transmitted, in any form or by any means, electronic or mechanical, including photocopying, recording or by any information storage and retrieval system, without permission in writing from Briggs & Stratton Corporation.



1319 WARNING LABEL

WARNING

Read and follow operating instructions before starting engine.

Do not start engine if you are not properly trained.

Do not use any tools or equipment that are not approved by the manufacturer.

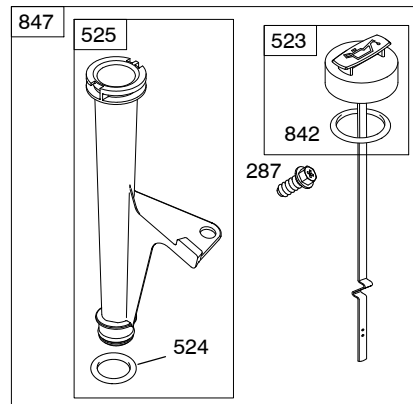
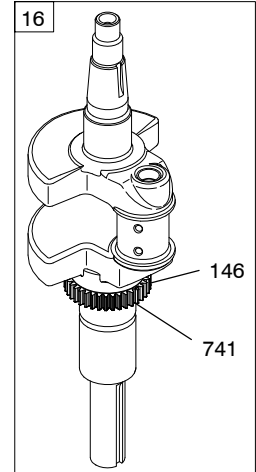
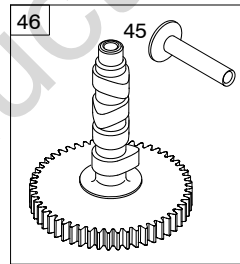
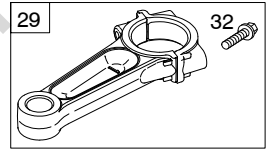
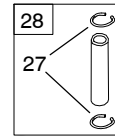
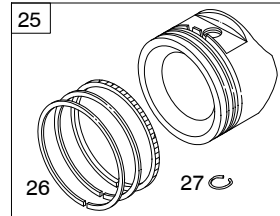
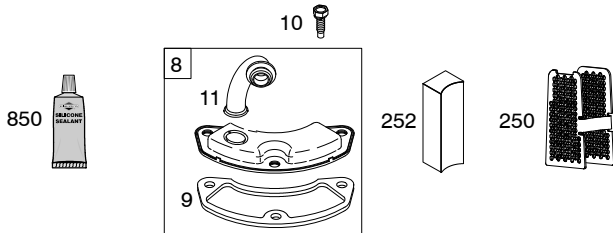
Do not use any tools or equipment that are not approved by the manufacturer.

Do not use any tools or equipment that are not approved by the manufacturer.

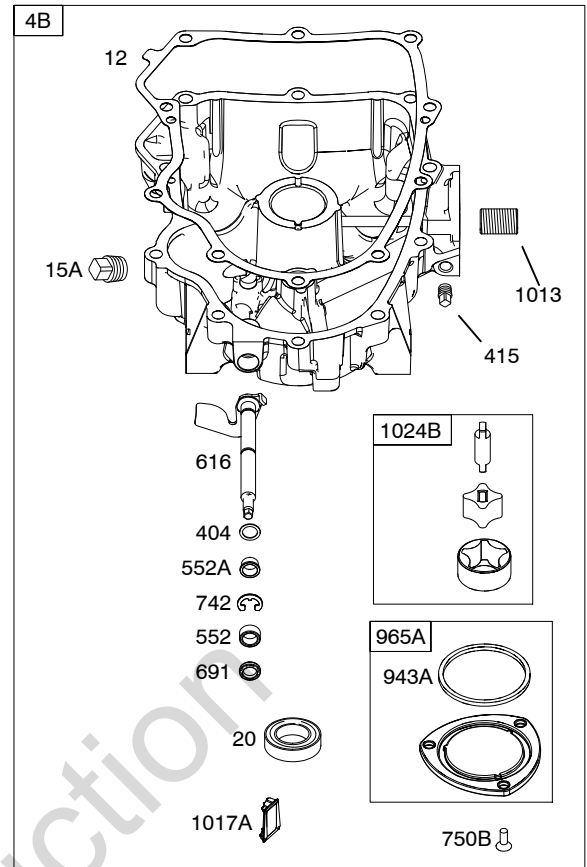
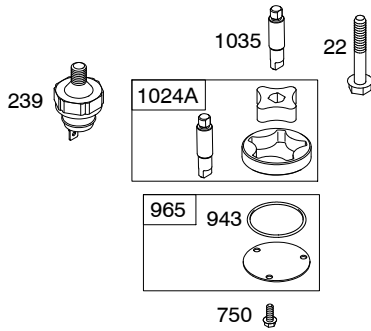
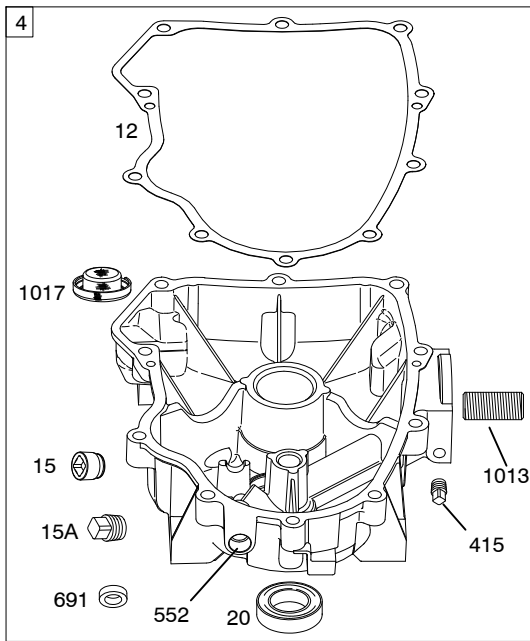
REQUIRED when replacing parts with warning labels affixed.

1058 OPERATOR'S MANUAL

1330 REPAIR MANUAL

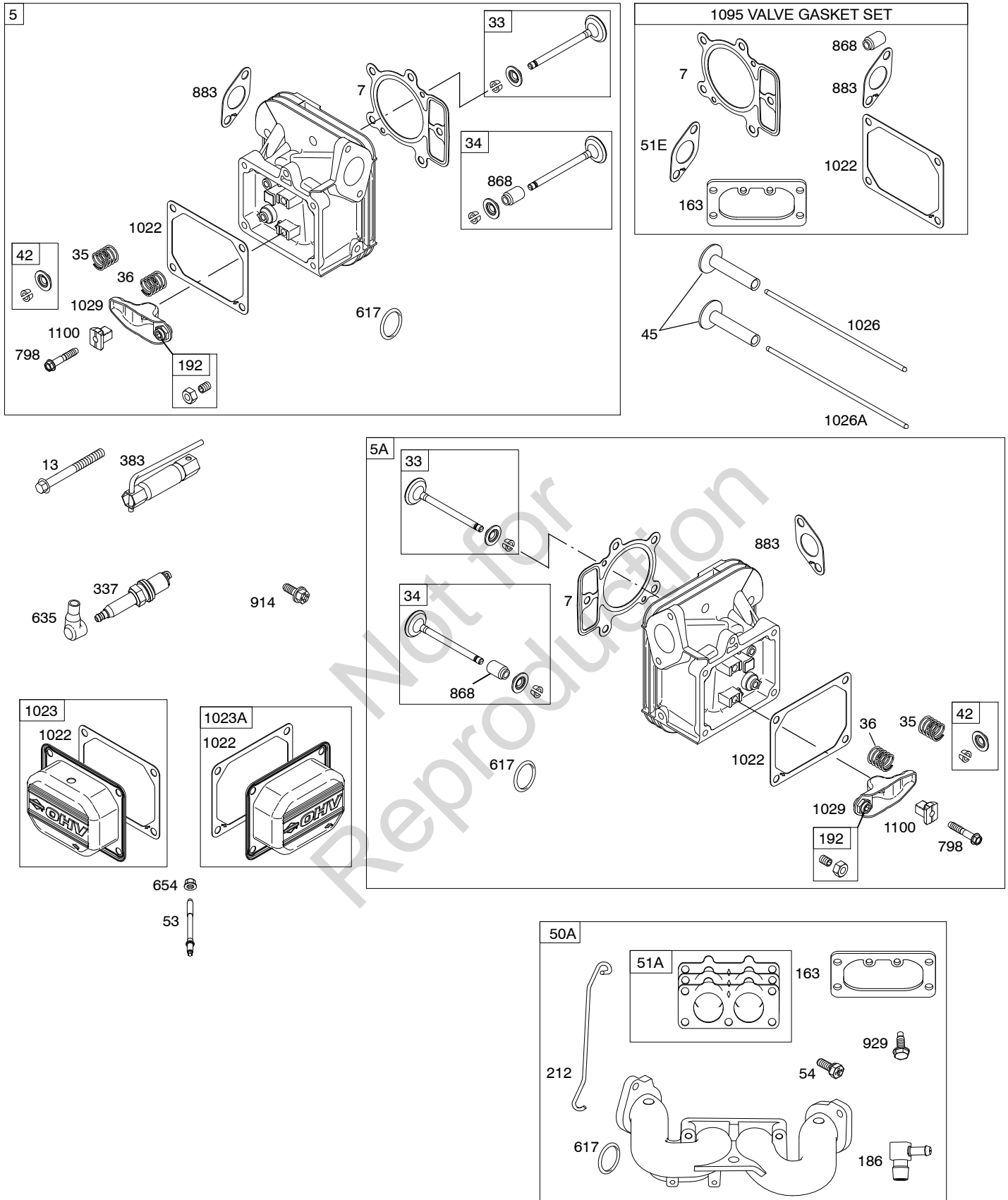


Not for
Reproduction

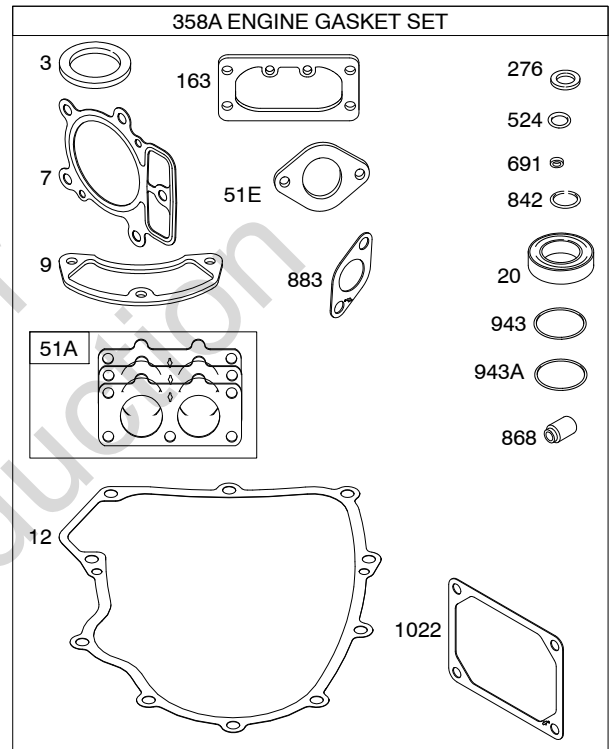
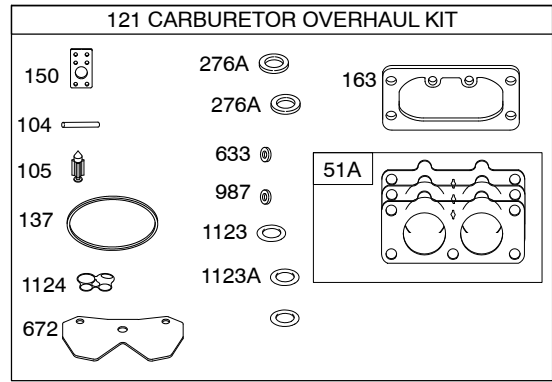
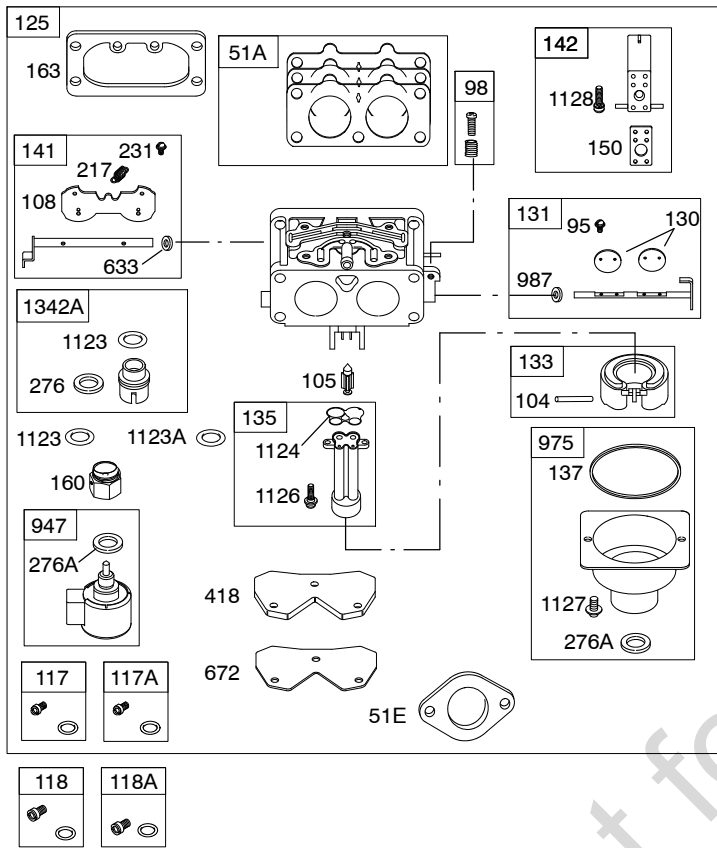


Not for
Reproduction

445600

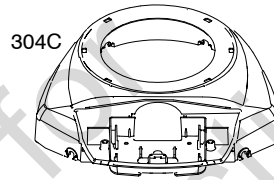
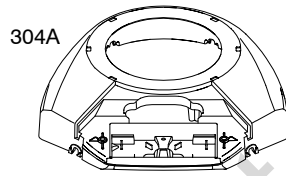
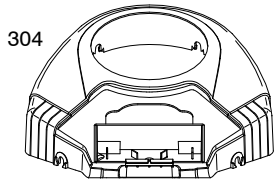
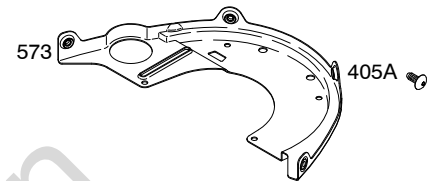
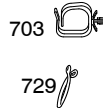
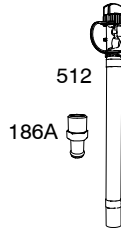
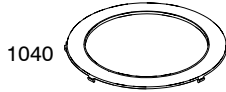
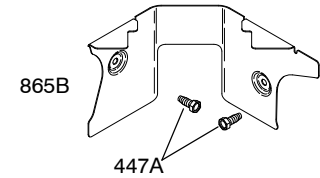
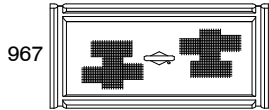
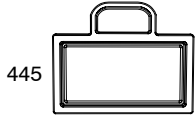
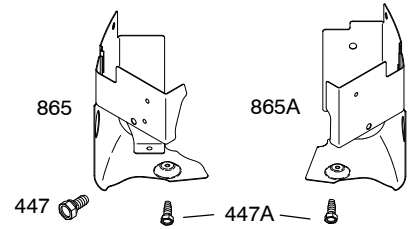
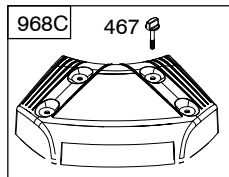
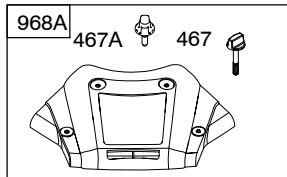
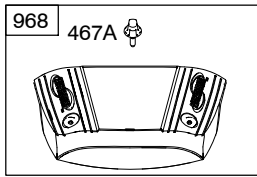


Illustrations cover a range of engines. Parts shown without corresponding text may not be used on your specific engine.
 3346-4 Assemblies include all parts shown in frames. 12/18/2008

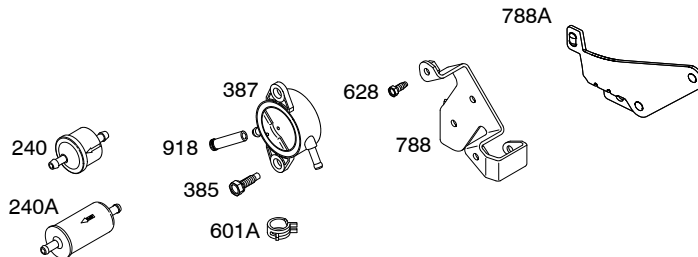
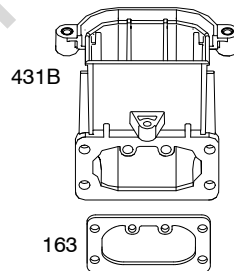
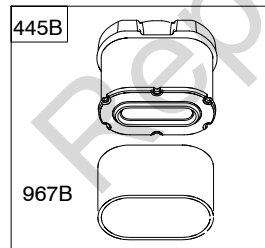
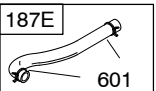
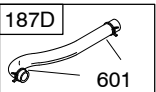
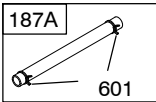


Not for reproduction

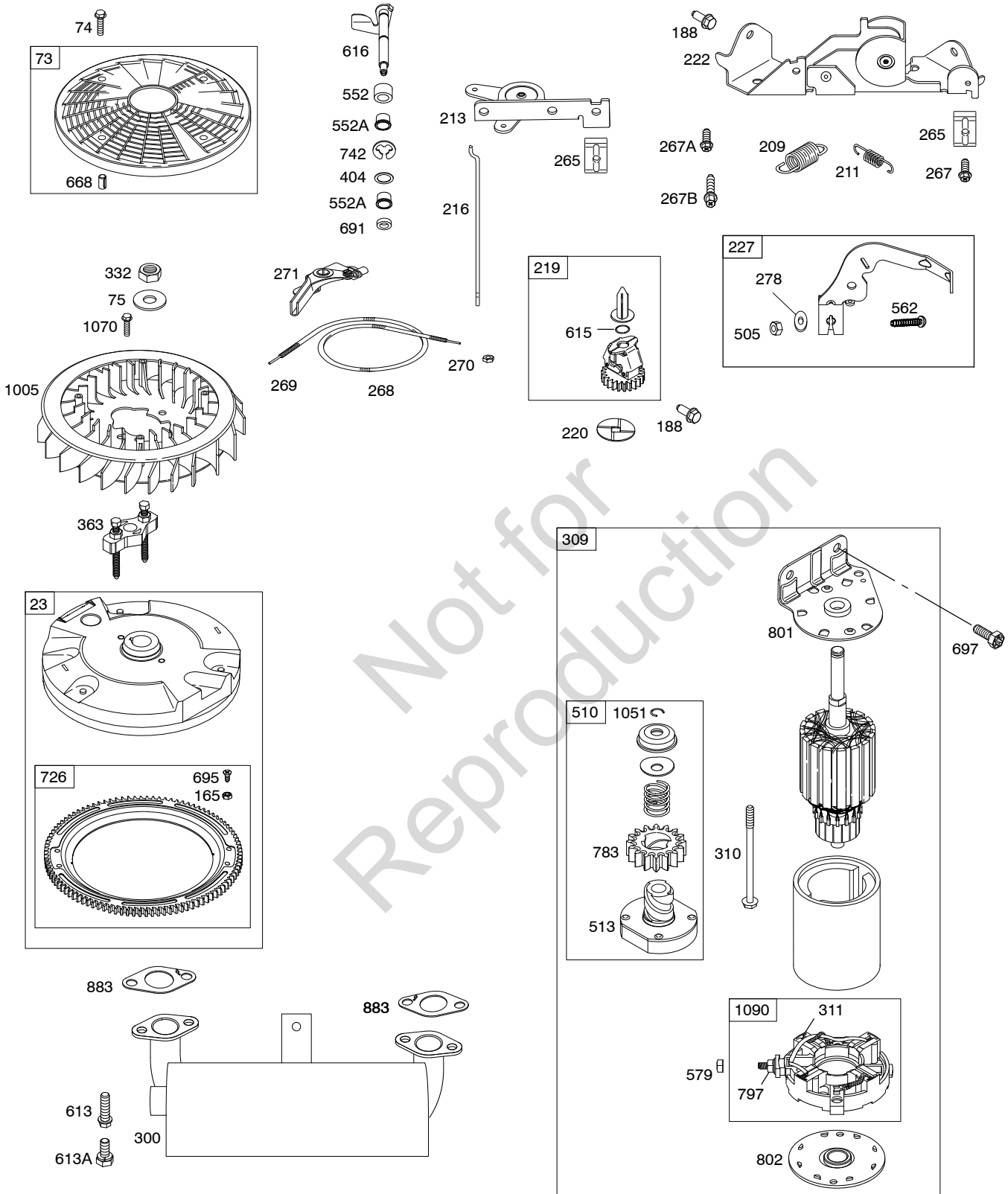
445600












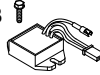
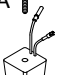
1036 EMISSIONS LABEL

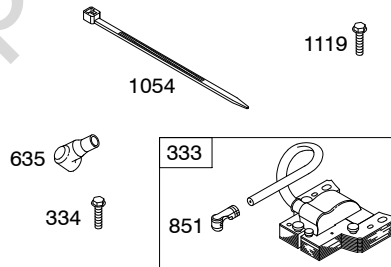
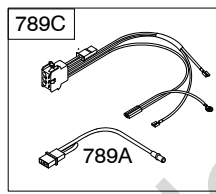
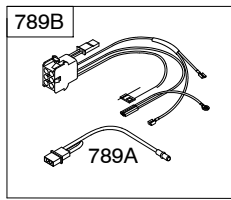


Illustrations cover a range of engines. Parts shown without corresponding text may not be used on your specific engine.
 3346-6 Assemblies include all parts shown in frames. 12/18/2008



Not for
Reproduction

DUAL CIRCUIT		10 - 16 AMP		TRI CIRCUIT	
474C	1059	474B	1059	474A	1059
877C		877B		877A	
					
		578A		578A	
<p>NOTE: All stators use a No. 1119 mounting screw. </p> <p>NOTE: The proper flywheel part number and/or the alternator magnet size will determine the alternator type or output. See repair instruction manual for additional information.</p>		526B		526A	
		501B		501A	



Not for
Reproduction

REF. NO.	PART NO.	DESCRIPTION	REF. NO.	PART NO.	DESCRIPTION	REF. NO.	PART NO.	DESCRIPTION
1	793564	Cylinder Assembly	15	691680	Plug-Oil Drain	26	792026	Ring Set
2	499585	Kit-Bushing/Seal (Magneto Side)	16	699700	Crankshaft			(Standard)
3	391086s	Seal-Oil (Magneto Side)			----- Note -----			(Used After Code Date 05071800).
4	699747	Sump-Engine			790132 Crankshaft			----- Note -----
4B	796307	Sump-Engine			Used on Type No(s).			694004 Ring Set
		Used on Type No(s).			0476, 0759, 1145.			(Standard)
		0127, 0128, 1113,			796256 Crankshaft			(Used Before Code Date 05071900).
		1188, 1198, 1199,			Used on Type No(s).			792073 Ring Set
		1201, 1262, 1274.			0127, 1201.			(.020" Oversize)
5	792299	Head-Cylinder (Cylinder #1)			796237 Crankshaft			(Used After Code Date 05071800).
		----- Note -----			Used on Type No(s).			
		796632 Head-Cylinder	20	795387	Seal-Oil			694008 Ring Set
		(Cylinder #1)			(PTO Side)			(.020" Oversize)
		Used on Type No(s).	22	694966	Screw			(Used Before Code Date 05071900).
		0127, 0128, 1113,			(Crankcase			
		1188, 1198, 1199,			Cover/Sump)	27	690975	Lock-Piston Pin
		1201, 1262.			23	691053	Pin-Piston	
					Flywheel	28	690229	(Standard)
					----- Note -----			----- Note -----
5A	792300	Head-Cylinder (Cylinder #2)			691054 Flywheel			696581 Pin-Piston
		----- Note -----			Used on Type No(s).			(Standard)
		796633 Head-Cylinder	24	222698s	Key-Flywheel			Used on Type No(s).
		(Cylinder #2)						0127, 0128, 1113,
		Used on Type No(s).	25	792023	Piston Assembly			1188, 1198, 1199,
		0127, 0128, 1113,			(Standard)			1201, 1262.
		1188, 1198, 1199,			----- Note -----			
		1201, 1262.			792072 Piston	29	699699	Rod-Connecting
7	693997	Gasket-Cylinder Head			Assembly			(Standard)
8	792185	Breather Assembly			(.020" Oversize)			----- Note -----
9	690937	Gasket-Breather						796209 Rod-
10	691108	Screw						Connecting
		(Breather Assembly)						(Standard)
11	792184	Tube-Breather						Used on Type No(s).
12	697227	Gasket-Crankcase						0127, 0128, 1113,
13	791130	Screw						1188, 1198, 1199,
		(Cylinder Head)						1201, 1262.
		----- Note -----						
		793988 Screw						32
		(Cylinder Head)						690976
		Used on Type No(s).						Screw
		0127, 0128, 1113,						(Connecting Rod)
		1188, 1198, 1199,						
		1201, 1262.						

Illustrations cover a range of engines. Parts shown without corresponding text may not be used on your specific engine.

445600

REF. NO.	PART NO.	DESCRIPTION	REF. NO.	PART NO.	DESCRIPTION	REF. NO.	PART NO.	DESCRIPTION
33	697576	Valve-Exhaust ----- Note ----- 499596 Valve-Exhaust Used on Type No(s). 0127, 0128, 1113, 1188, 1198, 1199, 1201, 1262.	117A	791502	Jet-Main (Standard) (Right)(Nikki) ----- Note ----- 842627 Jet-Main (Standard) (Right)(Nikki) Used on Type No(s). 1188, 1199, 1274.	142	699726	Nozzle-Carburetor (Standard)
34	792220	Valve-Intake				146	690979	Key-Timing
35	694865	Spring-Valve (Intake)				150	690995	Gasket-Nozzle
36	694865	Spring-Valve (Exhaust)	118	695415	Jet-Main (High Altitude) (Left)(Nikki) ----- Note ----- 699457 Jet-Main (High Altitude) (Left)(Nikki) Used on Type No(s). 1188, 1199, 1274.	160	699727	Retainer-Solenoid
42	499586	Keeper-Valve				163	691001	Gasket-Air Cleaner
45	690977	Tappet-Valve				165	693148	Nut (Ring Gear)
46	792555	Camshaft (Used After Code Date 06081300). ----- Note ----- 790562 Camshaft (Used Before Code Date 06081400).	118A	843099	Jet-Main (High Altitude) (Right)(Nikki) ----- Note ----- 699733 Jet-Main (High Altitude) (Right)(Nikki) Used on Type No(s). 1188, 1199, 1274.	186	795985	Hose-Connector
50A	695241	Manifold-Intake				186A	796532	Hose-Connector
51A	795123	Gasket-Intake				187A	791766	Line-Fuel (Cut to Required Length)
51E	690949	Gasket-Intake				187D	791744	Line-Fuel (Formed)(Cut to Required Length)
53	690951	Stud (Carburetor)				187E	797801	Line-Fuel (Formed)(Cut to Required Length)
54	699816	Screw (Intake Manifold)				188	691108	Screw (Control Bracket)
73	494439	Screen-Rotating	121	792455	Kit-Carburetor Overhaul			
74	698425	Screw (Rotating Screen)	125	791230	Carburetor ----- Note ----- 796227 Carburetor Used on Type No(s). 1188, 1199, 1274.			
75	691056	Washer (Flywheel)						
95	690718	Screw (Throttle Valve)	130	690993	Valve-Throttle			
98	699721	Kit-Idle Speed	131	499805	Kit-Throttle Shaft			
104	694918	Pin-Float Hinge	133	699724	Float-Carburetor			
105	698537	Valve-Float Needle	135	699729	Tube-Fuel Transfer			
108	699723	Valve-Choke	137	690994	Gasket-Float Bowl			
117	791501	Jet-Main (Standard) (Left)(Nikki) ----- Note ----- 792296 Jet-Main (Standard) (Left)(Nikki) Used on Type No(s). 1188, 1199, 1274.	141	699722	Kit-Choke Shaft ----- Note ----- 796228 Kit-Choke Shaft Used on Type No(s). 0128, 1188, 1198, 1199, 1201, 1274.			

Illustrations cover a range of engines. Parts shown without corresponding text may not be used on your specific engine.
3346-10 Assemblies include all parts shown in frames. 12/18/2008

REF. NO.	PART NO.	DESCRIPTION	REF. NO.	PART NO.	DESCRIPTION	REF. NO.	PART NO.	DESCRIPTION
192	690083	Adjuster-Rocker Arm	211	691019	Spring-Governed Idle	240	691035	Filter-Fuel
209	793342	Spring-Governor Used on Type No(s). 0113, 1113. ----- Note ----- 796224 Spring-Governor Used on Type No(s). 0128, 1188, 1198, 1199, 1201, 1274. 793340 Spring-Governor (Orange) Used on Type No(s). 0758, 1145. 793339 Spring-Governor (Light Green) Used on Type No(s). 0127, 0759, 0827, 1262. 793339 Spring-Governor (Light Green) (Used After Code Date 06081400). Used on Type No(s). 0413, 0476, 0725. 793340 Spring-Governor (Orange) (Used After Code Date 06081400). Used on Type No(s). 0110, 0420, 0421, 0503. 697674 Spring-Governor (Brown) (Used Before Code Date 06081500). Used on Type No(s). 0110, 0413, 0420, 0421, 0476, 0503, 0725.	212	695238	Link-Throttle	240A	695666	Filter-Fuel Used on Type No(s). 1188, 1199, 1274.
			213	691021	Bracket-Choke Control	250	690957	Retainer-Breather
			216	691022	Link-Choke	252	794389	Collector-Oil
			217	695409	Link-Choke Used on Type No(s). 0128, 1188, 1198, 1199, 1201, 1274.	265	691024	Clamp-Casing
			219	793338	Gear-Governor	267	691044	Screw (Casing Clamp) (.625 Length)
			220	690412	Washer (Governor Gear)	267A	695134	Screw (Casing Clamp) (.630 Length)
			222	698761	Bracket-Control ----- Note ----- 796226 Bracket-Control Used on Type No(s). 0128, 1188, 1198, 1199, 1201, 1274. 796630 Bracket-Control Used on Type No(s). 1262	267B	792629	Screw (Casing Clamp) (.703 Length)
			227	792492	Lever-Governor Control	268	691025	Casing-Control Wire (Cut To Required Length)
			231	690718	Screw (Choke Valve)	269	691026	Wire-Control (Cut To Required Length)
			239	697049	Switch-Oil Pressure Used on Type No(s). 0110. ----- Note ----- 792028 Switch-Oil Pressure Used on Type No(s). 0113, 1113.	270	691027	Nut (Control Wire Casing)
						271	691028	Lever-Control
						276	690997	Washer-Sealing (Fiber)
						276A	695410	Washer-Sealing (Aluminum) (Solenoid) ----- Note ----- 794271 Washer-Sealing (Aluminum) (Float Bowl)
						278	792651	Washer (Governor Control Lever)
						287	691108	Screw (Dipstick Tube)
						300	696226	Muffler Used on Type No(s). 0110.

Illustrations cover a range of engines. Parts shown without corresponding text may not be used on your specific engine.

445600

REF. NO.	PART NO.	DESCRIPTION	REF. NO.	PART NO.	DESCRIPTION	REF. NO.	PART NO.	DESCRIPTION
304	790688	Housing-Blower (Used Before Code Date 06103000). Used on Type No(s). 0110, 0413, 0420, 0421, 0476, 0503.	304C	796678	Housing-Blower Used on Type No(s). 1274. ----- Note ----- 796678 Housing-Blower (Used After Code Date 08100500). Used on Type No(s). 1188, 1199. 795878 Housing-Blower (Used Before Code Date 08100600). Used on Type No(s). 1188, 1199.	337	491055s	Plug-Spark ----- Note ----- 691043 Plug-Spark Used on Type No(s). 0110, 0113, 0128, 0413, 0476, 0503, 0758, 1113, 1145, 1262.
304A	796597	Housing-Blower Used on Type No(s). 0128, 1262. ----- Note ----- 796597 Housing-Blower (Used After Code Date 08082700). Used on Type No(s). 0113, 1113. 796597 Housing-Blower (Used After Code Date 08091400). Used on Type No(s). 0110, 0127, 0413, 0420, 0421, 0476, 0503, 0725, 0758, 0759, 0827, 1145, 1198, 1201. 791243 Housing-Blower (Used Before Code Date 08082800). Used on Type No(s). 0113, 1113. 791243 Housing-Blower (Used Before Code Date 08091500). Used on Type No(s). 0127, 0725, 0758, 0759, 0827, 1145, 1198, 1201. 791243 Housing-Blower (Used Before Code Date 08091500 and After Code Date 06102900). Used on Type No(s). 0110, 0413, 0420, 0421, 0476, 0503.	305	691005	Screw (Blower Housing)	358A	694012	Gasket Set-Engine
			305B	790690	Screw (Blower Housing to Intake Elbow)	363	19203	Puller-Flywheel
			309	499521	Motor-Starter ----- Note ----- 497595 Motor-Starter Used on Type No(s). 0128, 0725, 0758, 0759, 0827, 1145, 1188, 1198, 1199, 1201, 1274.	383	19374s	Wrench-Spark Plug
			310	691263	Screw (Starter Motor) ----- Note ----- 690323 Screw (Starter Motor) Used on Type No(s). 0128, 0725, 0758, 0759, 0827, 1145, 1188, 1198, 1199, 1201, 1274.	385	691108	Screw (Fuel Pump) (Used Before Code Date 06072800).
			311	497608	Brush Set	387	808656	Pump-Fuel
			332	691059	Nut (Flywheel)	404	690442	Washer (Governor Crank)
			333	691060	Armature-Magneto	405A	697820	Screw (Back Plate)
			334	691061	Screw (Magneto Armature)	415	794903	Plug
						418	690999	Plate-Carburetor
						431B	790816	Elbow-Intake
						445	499486s	Filter-Air Cleaner Cartridge
						445B	792105	Filter-Air Cleaner Cartridge Used on Type No(s). 1188, 1199, 1274.
						447	691003	Screw (Air Guide Cover)
						447A	691108	Screw (Air Guide Cover)
						467	790697	Knob-Air Cleaner (1" Long)
						467A	691008	Knob-Air Cleaner (1 1/2" Long)
						474A	696457	Alternator (5-9 Amp Regulated)
						474B	696458	Alternator (10-16 Amp Circuit)
						474C	696459	Alternator (Dual Circuit)

Illustrations cover a range of engines. Parts shown without corresponding text may not be used on your specific engine.

REF. NO.	PART NO.	DESCRIPTION	REF. NO.	PART NO.	DESCRIPTION	REF. NO.	PART NO.	DESCRIPTION
501A	691188	Regulator (5 To 9 Amp Regulated)	615	698290	Retainer-Governor Shaft	788	691039	Bracket-Fuel Pump (Used Before Code Date 06072800).
501B	691185	Regulator (10-16 Amp Regulated)	616	691045	Crank-Governor	788A	793145	Bracket-Fuel Pump (Used After Code Date 06072700).
505	691029	Nut (Governor Control Lever)	617	697891	Seal-O Ring (Intake Manifold)	789A	790544	Harness-Wiring
510	696541	Drive-Starter	628	691108	Screw (Fuel Pump Bracket) (Used Before Code Date 06072800).	789B	698330	Harness-Wiring
512	796530	Hose-Oil Drain	633	690998	Seal-Choke/Throttle Shaft	789C	696576	Harness-Wiring
513	692024	Clutch-Drive			----- Note -----	797	693167	Nut (Brush Retainer)
523	691036	Dipstick			699813 Seal-	798	697890	Screw (Rocker Arm)
524	691032	Seal-Dipstick Tube			Choke/Throttle Shaft	801	691283	Cap-Drive
525	691037	Tube-Dipstick			Used on Type No(s). 0128, 1188, 1198, 1199, 1201, 1274.	802	691286	Cap-End
526A	691129	Screw (Regulator) (5 To 9 Amp Regulated)	635	66538s	Boot-Spark Plug	842	691031	Seal-O Ring (Dipstick Tube)
526B	691108	Screw (Regulator) (10-16 Amp Regulated)	654	690958	Nut (Carburetor)	847	499602	Dipstick/Tube Assembly
552	690552	Bushing-Governor Crank	668	691215	Spacer	851	493880s	Terminal-Spark Plug
		----- Note -----	672	690234	Gasket-Carburetor Plate	865	691012	Cover-Air Guide (Cylinder #1)
		796638 Bushing-Governor Crank	691	790574	Seal-Governor Shaft	865A	793205	Cover-Air Guide (Cylinder #2)
		Used on Type No(s). 0127, 0128, 1113, 1188, 1198, 1199, 1201, 1262, 1274.	695	693149	Screw (Ring Gear)			----- Note -----
552A	690553	Bushing-Governor Crank	697	690372	Screw (Drive Cap)			796541 Cover-Air Guide (Cylinder #2)
562	690311	Bolt (Governor Control Lever)	703	691010	Clip			Used on Type No(s). 0127, 0128, 1113, 1188, 1198, 1199, 1201, 1262, 1274.
573	790444	Plate-Back	718	690959	Pin-Locating	865B	691015	Cover-Air Guide (Valley)
578A	691208	Wire Assembly	726	499612	Gear-Ring			----- Note -----
579	691029	Nut (Starter Cable)	729	694123	Clip-Wire			792286 Cover-Air Guide (Valley)
601	791850	Clamp-Hose			Used on Type No(s). 0110, 0113, 1113.			Used on Type No(s). 1188, 1199, 1274.
601A	691038	Clamp-Hose	741	690980	Gear-Timing	868	690968	Seal-Valve
613	690341	Screw (Muffler) (Used on Type No(s). 0110.	742	690328	Retainer-E Ring	877A	393537	Wire/Connector-Alternator
		0110.	750	696999	Screw (Oil Pump Cover)	877B	399916	Wire/Connector-Alternator
613A	690297	Screw (Muffler) (Used on Type No(s). 0110.	750B	796208	Screw (Oil Pump Cover) (Used on Type No(s). 0127, 0128, 1113, 1188, 1198, 1199, 1201, 1262, 1274.	877C	393456	Wire/Connector-Alternator
		0110.	783	695708	Gear-Pinion			

Illustrations cover a range of engines. Parts shown without corresponding text may not be used on your specific engine.

445600

REF. NO.	PART NO.	DESCRIPTION	REF. NO.	PART NO.	DESCRIPTION	REF. NO.	PART NO.	DESCRIPTION
883	690970	Gasket-Exhaust	968C	791242	Cover-Air Cleaner	1023	793146	Cover-Rocker
914	691127	Screw (Rocker Cover)			Used on Type No(s). 0113, 0127, 0128, 0725, 0758, 0759, 0827, 1113, 1145, 1188, 1198, 1199, 1201, 1262, 1274.			(Cylinder #1) (Used After Code Date 06072700).
918	793147	Hose-Vacuum (Used After Code Date 06072700).						----- Note ----- 499599 Cover-Rocker
		----- Note ----- 694000 Hose-Vacuum (Used Before Code Date 06072800).						(Cylinder #1) (Used Before Code Date 06072800).
929	695239	Screw (Choke Control Bracket)			791242 Cover-Air Cleaner (Used After Code Date 06102900).	1023A	499600	Cover-Rocker (Cylinder #2)
943	690589	Seal-O Ring (Oil Pump Cover)	975	499810	Bowl-Float Used on Type No(s). 0127, 0128, 1113, 1198, 1201, 1262.	1024A	794416	Pump-Oil
943A	796222	Seal-O Ring (Oil Pump Cover) Used on Type No(s). 0127, 0128, 1113, 1188, 1198, 1199, 1201, 1262, 1274.			----- Note ----- 793592 Bowl-Float (Used After Code Date 06081300).	1024B	796220	Pump-Oil Used on Type No(s). 0127, 0128, 1113, 1188, 1198, 1199, 1201, 1262, 1274.
947	699728	Solenoid-Fuel Used on Type No(s). 0127, 0128, 1113, 1198, 1201, 1262.			499810 Bowl-Float (Used Before Code Date 06081400).	1026	690981	Rod-Push (Steel)
		----- Note ----- 841546 Solenoid-Fuel (Used After Code Date 06081300).	987	691000	Seal-Throttle Shaft	1026A	690982	Rod-Push (Aluminum)
		----- Note ----- 699728 Solenoid-Fuel (Used Before Code Date 06081400).	1005	791236	Fan-Flywheel Used on Type No(s). 0127, 0128, 0725, 0758, 0759, 0827, 1113, 1145, 1188, 1198, 1199, 1201, 1262, 1274.	1027	492932s	Filter-Oil ----- Note ----- 696854 Filter-Oil Used on Type No(s). 1188, 1199, 1274.
965	499613	Cover-Oil Pump			----- Note ----- 791236 Fan-Flywheel (Used After Code Date 06102900).	1029	690972	Arm-Rocker
965A	796221	Cover-Oil Pump Used on Type No(s). 0127, 0128, 1113, 1188, 1198, 1199, 1201, 1262, 1274.			790698 Fan-Flywheel (Used Before Code Date 06103000).	1035	691042	Shaft-Pump (Used Before Code Date 07022600).
967	273638s	Filter-Pre Cleaner	1013	690954	Nipple-Oil Filter	1036		Label-Emissions (Available from a Briggs & Stratton Authorized Service Dealer)
967B	792303	Filter-Pre Cleaner Used on Type No(s). 1188, 1199, 1274.	1017	690770	Screen-Oil Pump	1040	791237	Plate-Trim
968	795120	Cover-Air Cleaner Used on Type No(s). 1188, 1199, 1274.	1017A	796214	Screen-Oil Pump Used on Type No(s). 0127, 0128, 1113, 1188, 1198, 1199, 1201, 1262, 1274.	1051	691265	Ring-Retaining
968A	790689	Cover-Air Cleaner (Used Before Code Date 06103000).	1022	690971	Gasket-Rocker Cover	1054	280275	Tie-Cable

Illustrations cover a range of engines. Parts shown without corresponding text may not be used on your specific engine.
3346-14 Assemblies include all parts shown in frames. 12/18/2008

REF. NO.	PART NO.	DESCRIPTION	REF. NO.	PART NO.	DESCRIPTION	REF. NO.	PART NO.	DESCRIPTION
1058	277103	Operator's Manual	1126	690991	Screw (Fuel Transfer Tube)	1128	690990	Screw (Carburetor Nozzle)
1059	698516	Kit-Screw/Washer	1127	690992	Screw (Float Bowl)	1319	794467	Label-Warning
1070	690372	Screw (Flywheel Fan)			Used on Type No(s). 0127, 0128, 1113, 1198, 1201, 1262.	1330	273521	Repair Manual
1090	691293	Retainer-Brush			----- Note -----	1342A	699731	Extension-Fuel Transfer Tube
1095	694013	Gasket Set-Valve			695407 Screw (Float Bowl)			
1100	791959	Pivot-Rocker Arm			(Used After Code Date 06081300).			
1119	691183	Screw (Alternator)			690992 Screw (Float Bowl)			
1123	699725	Seal-O Ring (Solenoid Retainer)			(Used Before Code Date 06081400).			
1123A	841653	Seal-O Ring (Solenoid Retainer)						
1124	690988	Seal-O Ring (Fuel Transfer Tube)						

Not for
Reproduction

Not for
Reproduction



Free Manuals Download Website

<http://myh66.com>

<http://usermanuals.us>

<http://www.somanuals.com>

<http://www.4manuals.cc>

<http://www.manual-lib.com>

<http://www.404manual.com>

<http://www.luxmanual.com>

<http://aubethermostatmanual.com>

Golf course search by state

<http://golfingnear.com>

Email search by domain

<http://emailbydomain.com>

Auto manuals search

<http://auto.somanuals.com>

TV manuals search

<http://tv.somanuals.com>