



## 5500 Watt Portable Generator Illustrated Parts List

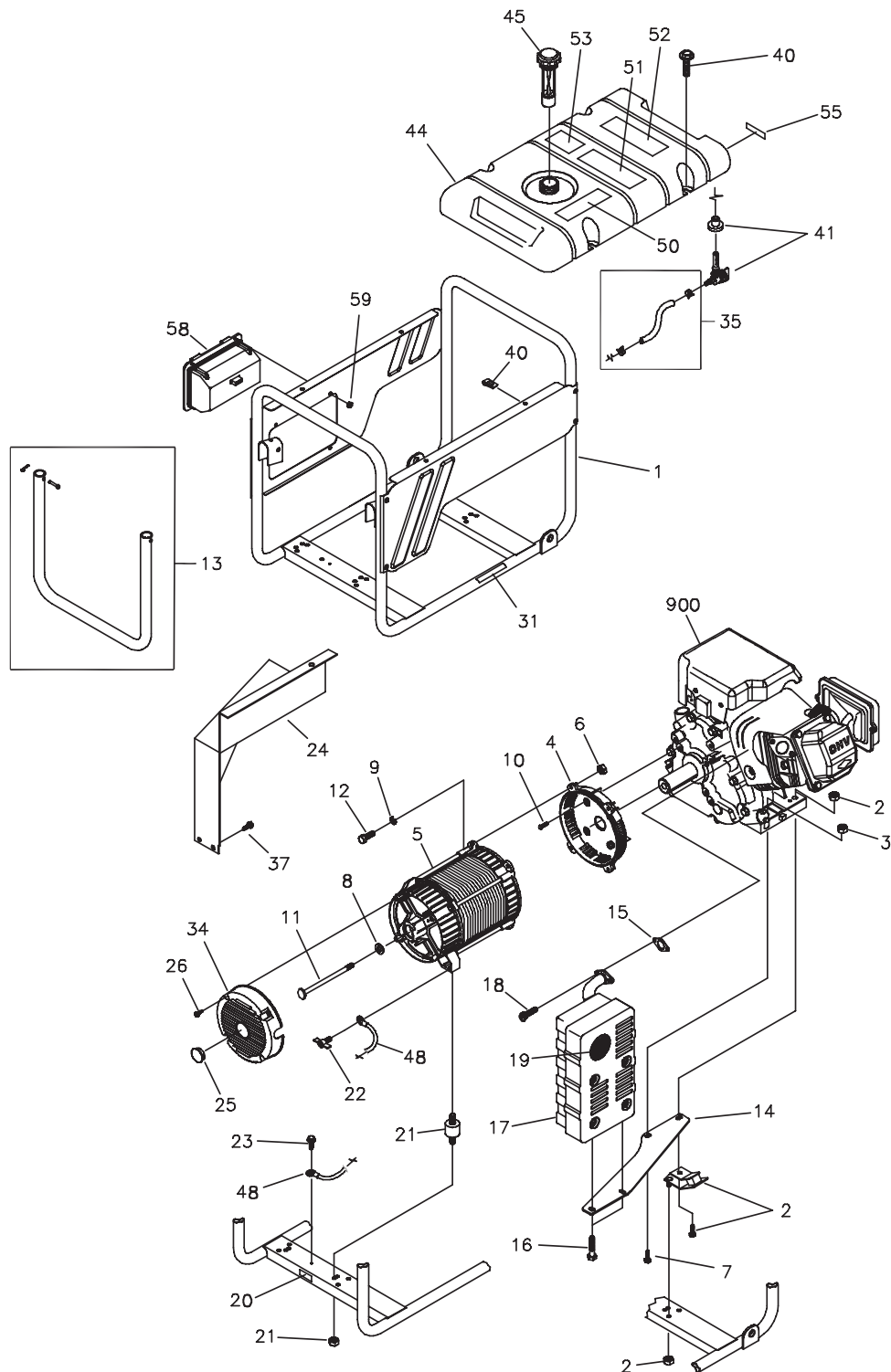


**BRIGGS & STRATTON POWER PRODUCTS GROUP, LLC  
JEFFERSON, WISCONSIN, U.S.A.**

030424 Manual No. 206494A Revision - (02/19/2008)

# Exploded Views and Parts Lists

## EXPLODED VIEW - MAIN UNIT



Copyright © 2008 Briggs & Stratton Power Products Group, LLC. All rights reserved. No part of this material may be reproduced or transmitted in any form by any means without the express written permission of Briggs & Stratton Power Products Group, LLC.

# Exploded Views and Parts Lists

## PARTS LIST - MAIN UNIT

Item	Part #	Description
1	206767GS	KIT, Cradle (Includes #20 & 31)
2	194150GS	KIT, Vibration, Mount, 45°
3	67989GS	NUT, M8 Flange Serrated
4	190220GS	HOUSING, Engine Adapter
5	NSP	ASSY, Alternator (see page 5)
6	*	NUT, Hex M8 - 1.25
7	195398GS	TPHMS, M8 - 1.25 x 35
8	96796GS	WASHER, 8.4 x 22.2 x 3
9	*	WASHER, Lock 5/16 - M8
10	*	SBHCS, 3/8-16 x 1.0 Lg.
11	187365FGS	HHCS, 5/16-24 x 7.44
12	*	HHCS, M8 - 1.25 x 25
13	198165GS	KIT, Handle
14	189009GS	BRACKET, Muffler
15	695398	GASKET, Exhaust
16	*	HHCS, M6 - 1.0 x 12 w/LW
17	189008GS	MUFFLER
18	*	SCREW, 5/16 - 18 x 7/8"
19	83083GS	SCREEN, Spark Arrest
20	B4986GS	DECAL, Ground, Green
21	194153GS	KIT, Vibration Mount
22	86494GS	SCREW, Wing M6 - 1.0 x 16
23	B2153GS	SCREW, 12 - 14 x 7/8, Self Drill
24	197424GS	SHIELD, Heat
25	191190GS	CAP
26	74908GS	SCREW, M5-0.8 x 10, Taptite
31	196830GS	DECAL, Exhaust Warning
34	195422GS	COVER, RBC with Cap
35	791745	KIT, Fuel Hose (cut to fit)
37	56893GS	CRIMPTITE, 10-24 x 1/2

Item	Part #	Description
40	199433GS	KIT, Fuel Tank Hardware w/U-Clips
	199284GS	U-CLIPS, (Optional Accessory)
41	192980GS	KIT, Valve, Fuel Tank
44	193668GS	ASSY, Tank, Fuel, 5 Gallon Service (Includes #'s 41, 50, 51, 52, 53 & 55)
45	B4363GS	CAP, Fuel Gauge
48	195373GS	WIRE, Ground
50	188333GS	DECAL, Gas Fill
51	194799GS	DECAL, Danger
52	189235GS	DECAL, Start Instructions
55	197798GS	DECAL, Shut-Off, Fuel
58	201575GS	ASSY, Control Panel
59	*	NUT, Palnut, 3/16"
900	§	ENGINE

### Parts Not Illustrated

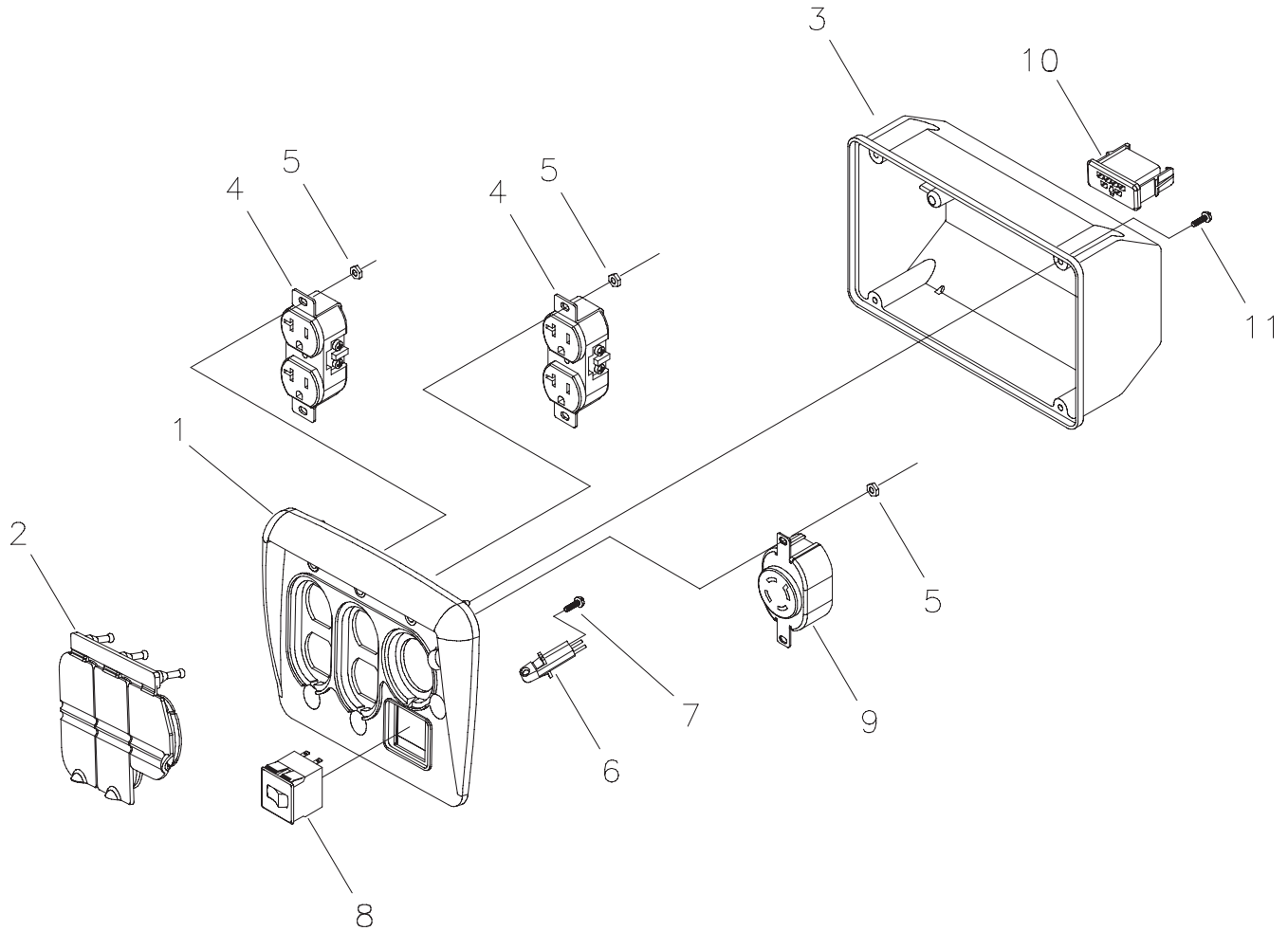
206494GS	MANUAL, Operator's
204088GS	BOTTLE, Oil
206766GS	KIT, Decals, Service

\* - Items without part numbers are common fasteners and are available at your local hardware store.

§ - Contact Engine Manufacturer

# Exploded Views and Parts Lists

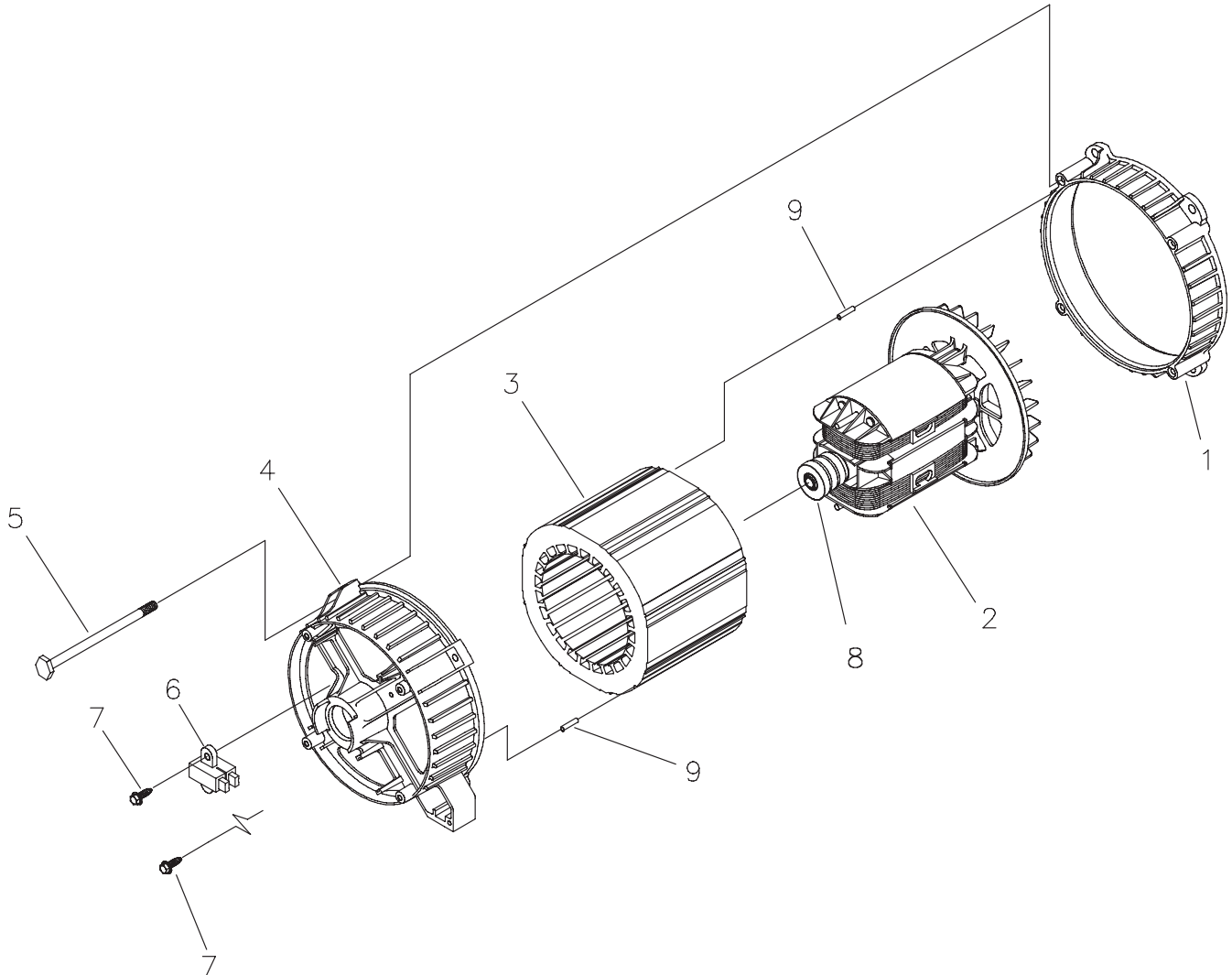
## CONTROL PANEL EXPLODED VIEW & PARTS LIST



Item	Part #	Description
1	201571GS	PANEL, Control
2	197472GS	COVER, Outlet Flip
3	201572GS	COVER, Back Panel
4	197731GS	OUTLET, 120V, 15/20A Duplex
5	189164GS	NUT, 3/16 Pal
6	202951GS	MODULE, Led
7	*	SCREW, 3 x 6, Tapping
8	202030GS	BREAKER, Circuit, 20A
	191481GS	BOOT, Breaker Circuit (not shown)
9	43437GS	OUTLET, 120/240V, 30A
10	201678GS	HOUSING, Receptacle, 6 Pin
11	*	PPPHS, M3 - 0.5 x 12

\* - Items without part numbers are common fasteners and are available at your local hardware store.

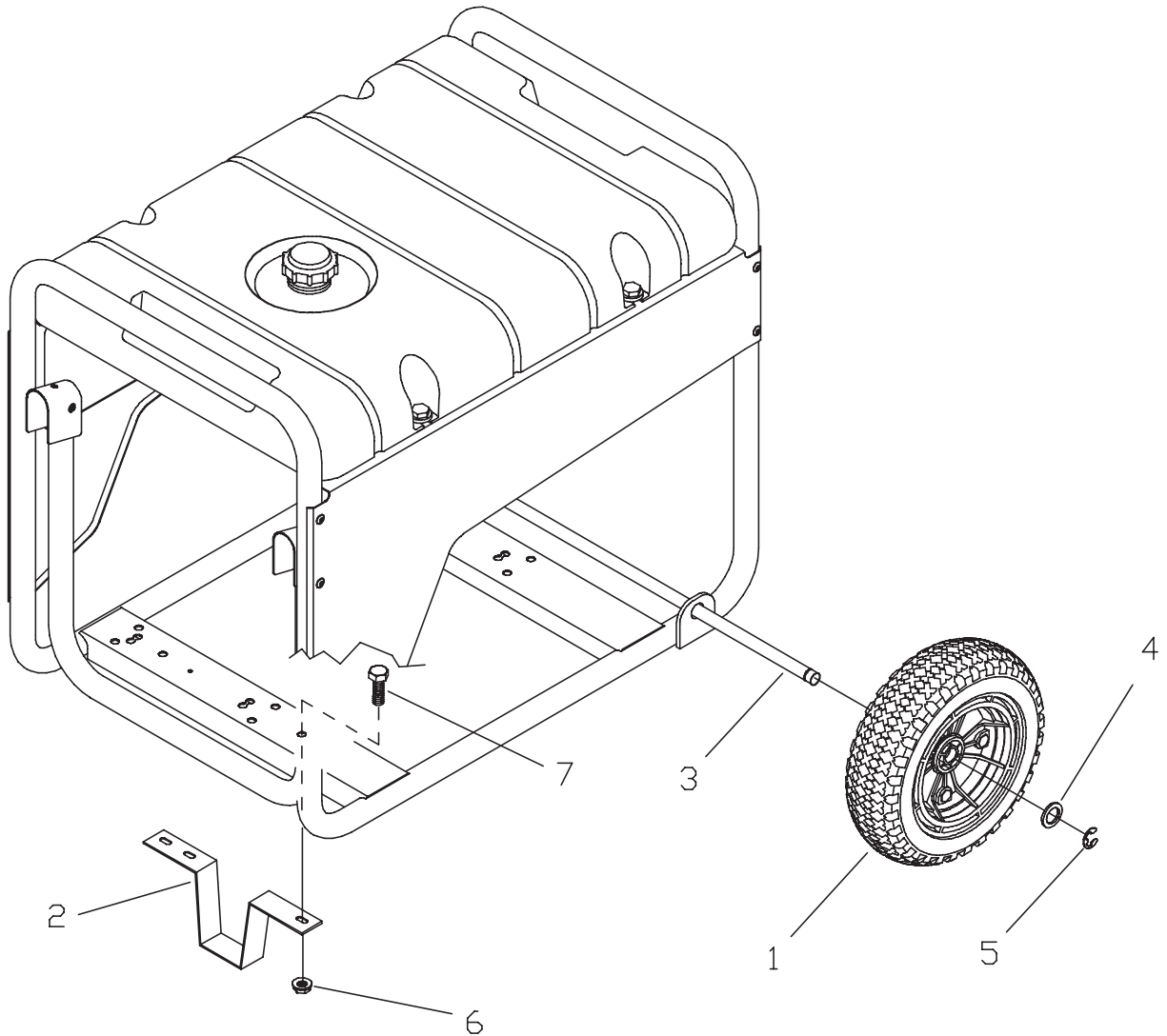
## ALTERNATOR EXPLODED VIEW & PARTS LIST



Item	Part #	Description
1	186059GS	ADAPTER, Mounting, Alternator
2	190032GS	ASSY., Rotor (Includes Item 8)
3	206562GS	STATOR
4	186060GS	RBC, with O-Ring (p/n 189197GS)
5	86308HGS	HHCS, M6 - 1.0 x 140 SEMS
6	91825GS	ASSY., Holder, Rectifier/Brush
7	66849GS	TAPTITE, M5 - 0.8 x 16
8	65791GS	BEARING
9	81917GS	PIN, Roll, 4mm x 10

# Exploded Views and Parts Lists

## WHEEL KIT EXPLODED VIEW & PARTS LIST



Item	Part #	Description
1	196517GS	WHEEL
2	B1764GS	SUPPORT, Wheel Kit
3	191267HGS	AXLE
4	*	WASHER, 5/8"
5	191265GS	E-RING
6	67989GS	NUT, M8 - Flange Serrated
7	*	HHCS, M8 - 1.25 x 16

**Items Not Illustrated**  
197594GS SUBKIT, Hardware

\* - Items without part numbers are common fasteners and are available at your local hardware store.

## Free Manuals Download Website

<http://myh66.com>

<http://usermanuals.us>

<http://www.somanuals.com>

<http://www.4manuals.cc>

<http://www.manual-lib.com>

<http://www.404manual.com>

<http://www.luxmanual.com>

<http://aubethermostatmanual.com>

Golf course search by state

<http://golfingnear.com>

Email search by domain

<http://emailbydomain.com>

Auto manuals search

<http://auto.somanuals.com>

TV manuals search

<http://tv.somanuals.com>