

Illustrated Parts List

Les Parties Illustrées Enumèrent

Las Partes Ilustradas Listan

18000 WATT

RESIDENTIAL GENERATOR

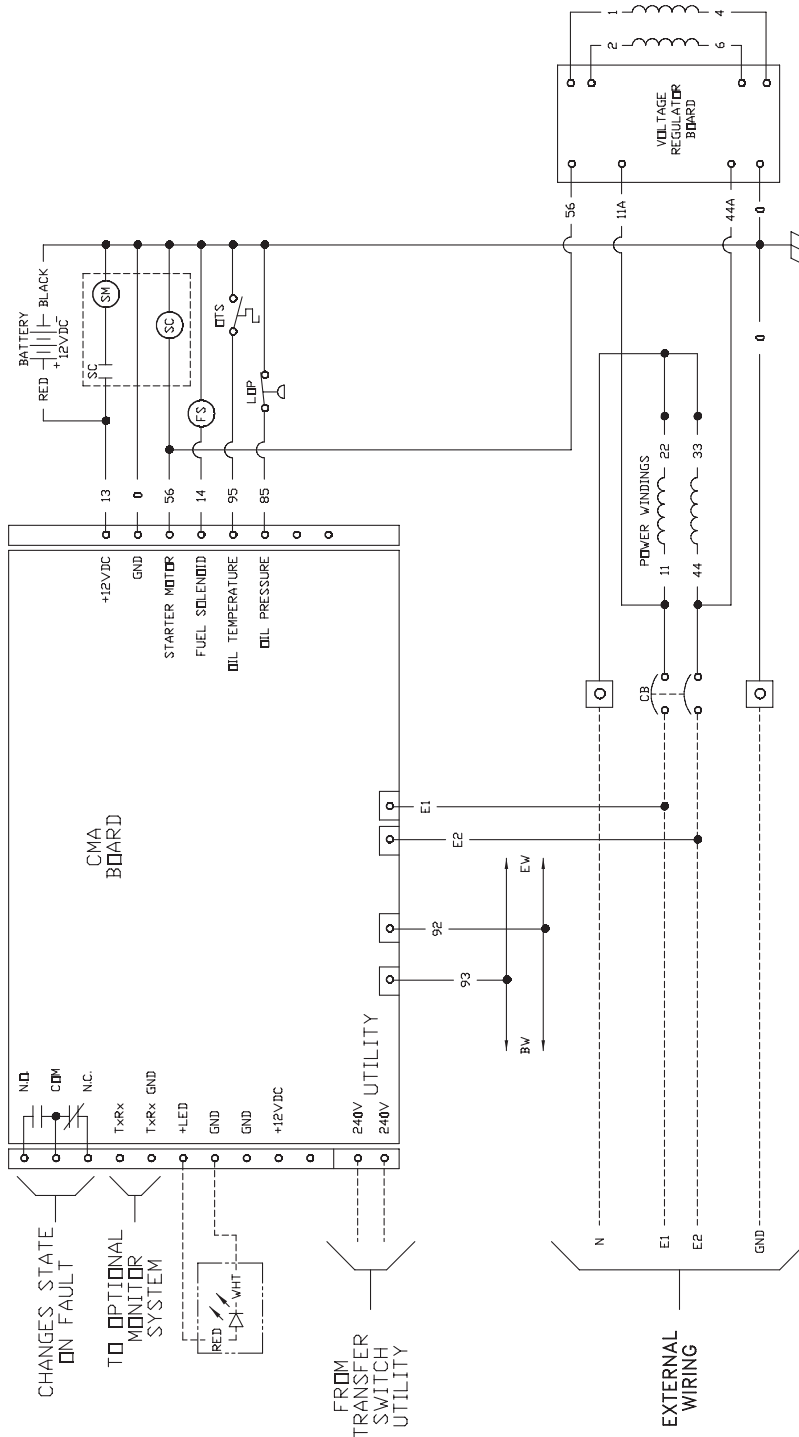
SYSTEM

Model / Modelo / Modèle

040266

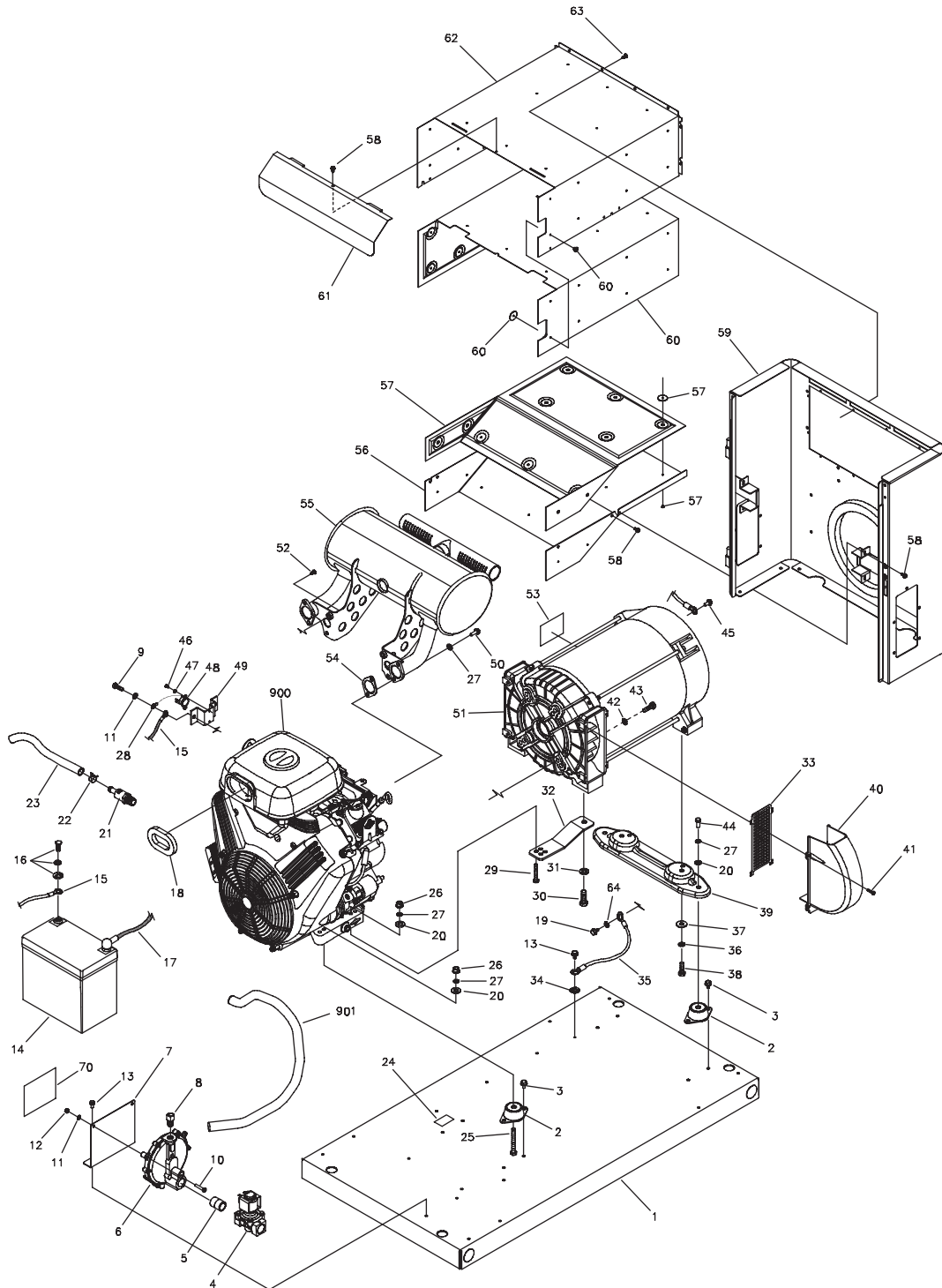
Questions? Help is just a moment away!
Preguntas? La ayuda es justa un momento lejos!
Vous avez des questions? Vous n'avez pas besoin d'aller loin pour trouver de l'aide!
Call: Home Generator Helpline
Llamada: Línea Directa de Generador de Hogar
Appelez: Ligne Directe de Génératrice la Maison
(800) 975-8331 M-F 8-5 CT

UNIT SCHEMATIC DIAGRAM



EXPLODED VIEW

UNIT EXPLODED VIEW



PARTS LIST

UNIT PARTS LIST

Item	Part #	Description	Item	Part #	Description
1	H203030GS	BASE, Mounting	46	*	PPHMS, 4-40 x 0.19
2	187594GS	MOUNT, Vibration	47	*	WASHER, Lock #4
3	24910GS	HHS, Trilobular 5/16 - 18 x 1/2	48	186205GS	SWITCH, Oil Temp
4	194683GS	SOLENOID, Gas Fuel	49	194699GS	PLATE, Switch Oil Temp
5	194829GS	FITTING, Coupling	50	809743	SCREW
6	194830GS	REGULATOR	51	NSP	ASSY, Alt (see pages 10 & 11)
7	195936GS	BRACKET, Mounting Solenoid	52	692062	SCREW
8	202382GS	FITTING, 3/4 Flare to 3/8 NPT	53	193506GS	DECAL, Caution Hot Surface
9	*	HHCS, M6 - 1.0 x 16	54	809872	GASKET
10	*	HHCS, M6 - 1.0 x 30	55	202885GS	MUFFLER
11	*	WASHER, 1/4 Lock	56	202884GS	BASE, Muffler Box
12	*	NUT, M6 - 1.0	57	203533GS	KIT, Insulation, Muffler Box Base
13	B4300GS	HHS, Trilobular, 1/4 - 20 x 1/2	58	56893GS	CRIMPTITE, 10 - 24 x 1/2
14	194818GS	BATTERY	59	203087GS	ASSY, Bulkhead, Alt End w/Insln
15	185939UGS	WIRE-A, Black	60	203534GS	KIT, Insulation, Muffler Box Top
16	198913GS	KIT, Battery Hardware	61	194682GS	COLLECTOR, Muffler Box
17	198593DGS	WIRE-A, Red	62	202883GS	BOX, Muffler Top
18	202958GS	TUBE, Air Cleaner	63	192445GS	SCREW, 10 - 32 x 5/8
19	B4995GS	HHS, Trilobular, 1/4-20 x 7/8	64	*	WASHER, M6 Shakeproof
20	*	WASHER, Flat 5/16 - M8	70	202896GS	DECAL, Requirements, Fuel
21	204025GS	VALVE, Oil Drain	900	§	ENGINE
22	48031JGS	CLAMP, Hose Band	901	842185	FUEL HOSE, with Clamp
23	186430GS	HOSE, Oil Drain			
24	186649GS	DECAL, Oil Drain			
25	*	HHCS, 5/16 - 18 x 2.5 Full Thread			
26	*	NUT, 5/16 - 18			
27	*	WASHER, Lock 5/16 - M8			
28	186790CGS	WIRE			
29	*	HHCS, 5/16 - 18 x 2" Lg.			
30	*	HHCS, M12 - 1.75 x 35			
31	*	WASHER, M12			
32	B194685GS	SUPPORT, Eng/Alt, Black			
33	202922GS	SCREEN			
34	*	WASHER, Shakeproof Ext. M6-1/4			
35	185939WGS	WIRE, Ground			
36	*	WASHER, 3/8 Lock			
37	*	WASHER, Flat, 3/8 - M10			
38	*	HHCS, 3/8 - 16 x 1			
39	B198896GS	BRACKET, Mounting Alt, Black			
40	202761GS	DUCT, Air			
41	*	SCREW, M5.8 x 10, Taptite			
42	*	WASHER, Lock 3/8			
43	*	SHCS, 3/8 - 16 x 1-1/4			
44	*	HHCS, 5/16 - 18 x 3/4			
45	B4300GS	HHS, Trilobular, 1/4 - 20 x 1/2			

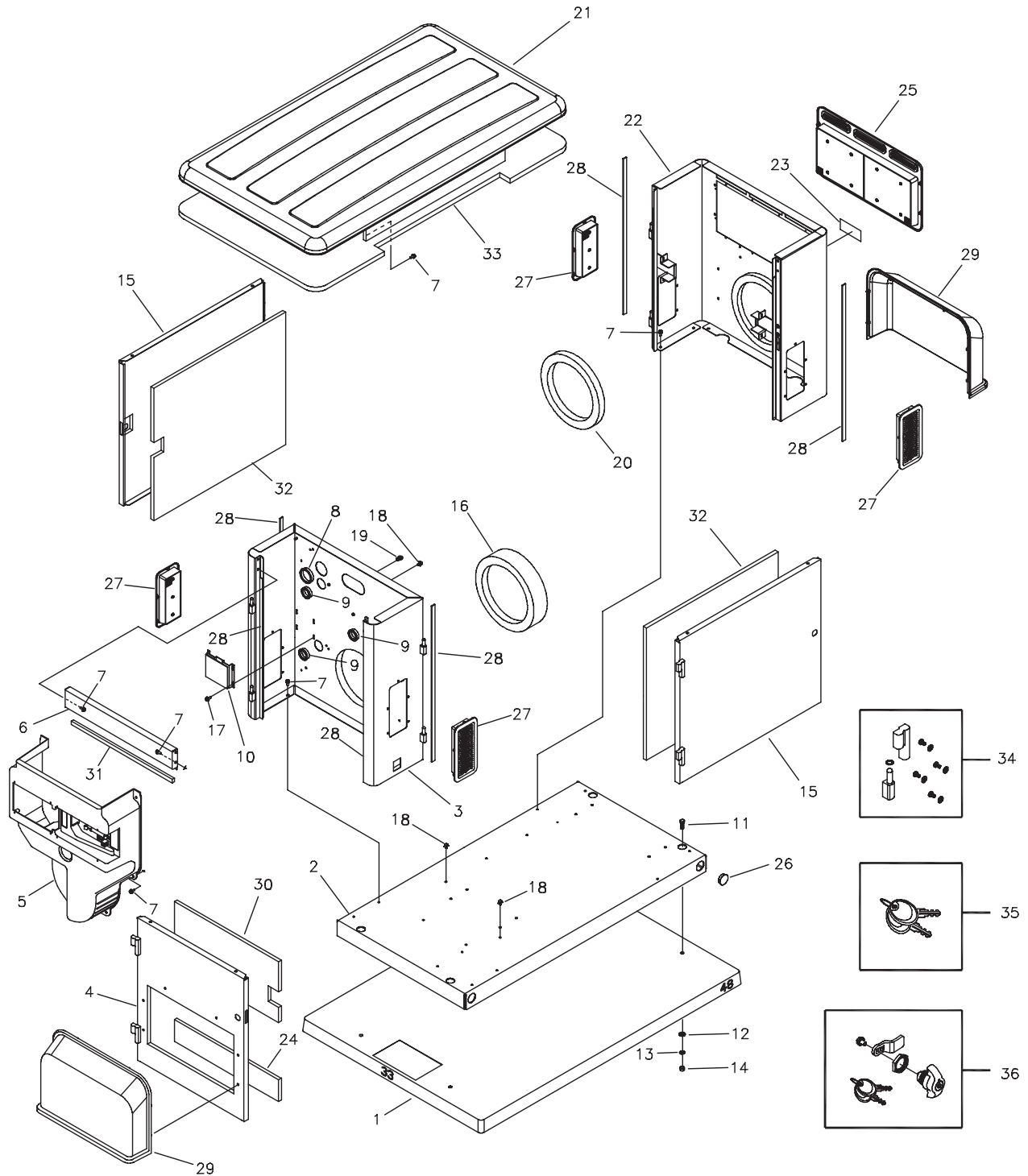
Parts Not Illustrated		
203003GS	MANUAL, Install	
203002GS	MANUAL, Operator's	
MS3483	MANUAL, Engine	
203195GS	KIT, Manual/Accessory, HGS	
B5478GS	PAINT, Touchup, Tan, 1/2 oz Bottle	
B3518GS	CAP, Funnel Oil Bottle	
202295GS	HOSE, Flex	
198866GS	KIT, Led Remote	
203019GS	MANUAL, IPL	
204018GS	KIT, Decals, Srv	

Optional Accessories		
199473GS	PAINT, Touchup, Spray, Tan, 12oz	
6030	KIT, Cold Weather (Includes Battery and Oil Warmers)	

* - Items without part numbers are common fasteners and are available at your local hardware store.
 § - Contact Engine Manufacturer

EXPLODED VIEW

ENCLOSURE EXPLODED VIEW



PARTS LIST

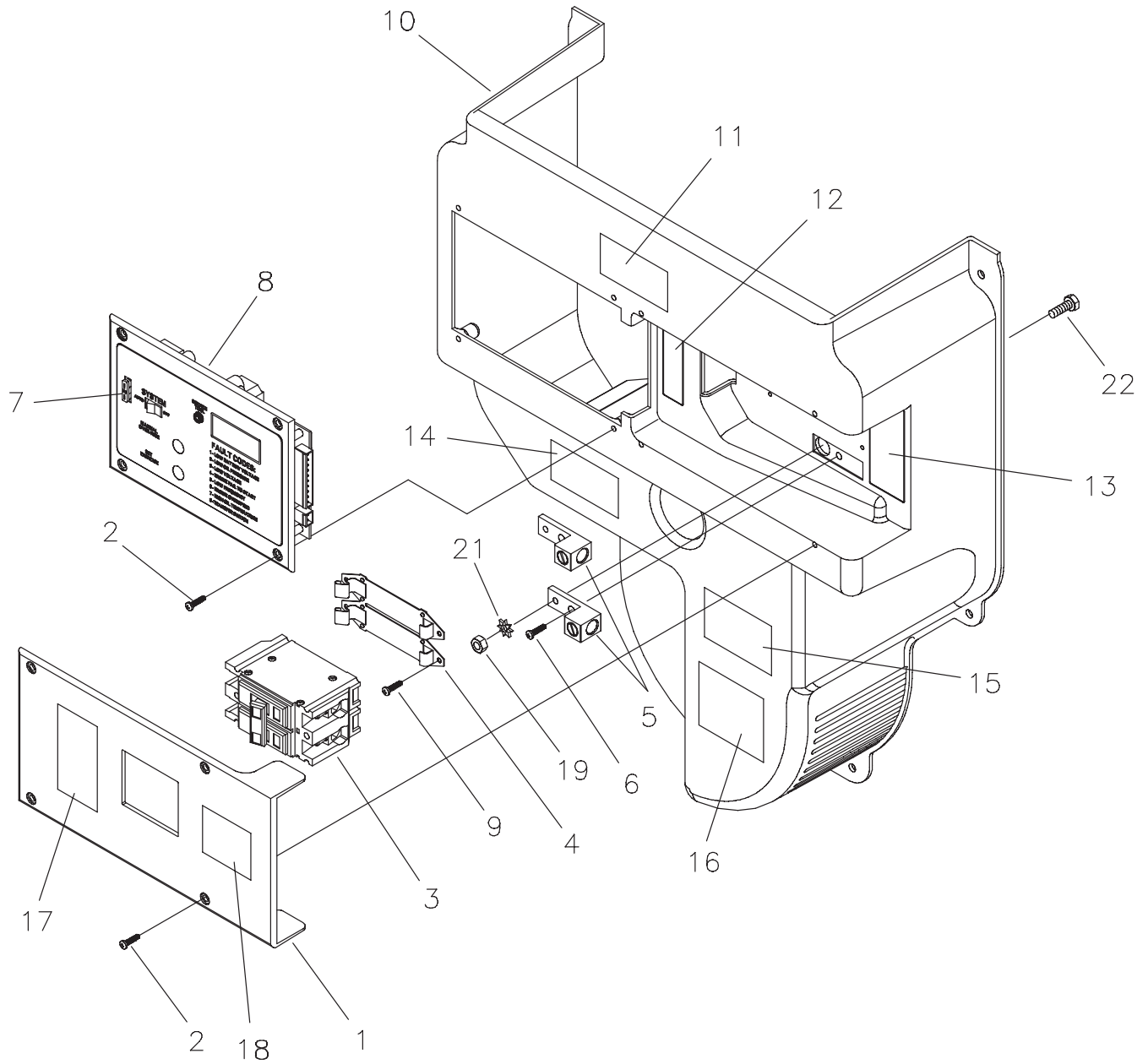
ENCLOSURE PARTS LIST

Item	Part #	Description	Item	Part #	Description
1	197275GS	PAD, Mounting w/ Holes	15	202915GS	ASSY, Door
2	H203030GS	BASE, Mounting			Weldment Door
3	204016GS	ASSY, Bulkhead, Eng End			Insulation
		Bulkhead, Eng End			Barrel Hinges with Hardware
		Decal, Fuel Inlet			Decals
		Seal, Foam	16	202956GS	SEAL, Foam, Engine Air
		Seal, Foam Engine Air	17	192778GS	HHS, Trilobular, #8-32 x 1/2
		Bushing, 1-1/2	18	195733GS	MOUNT, Tie Wrap
		Bushing, 1-3/8	19	192940GS	RETAINER, Hose
		Plug, Dome 1-1/2	20	202957GS	SEAL, Foam, Alt Inlet
		Pin, Hinges with Hardware	21	202916GS	ASSY, Roof/Siderails
4	202914GS	ASSY, Door, Eng. End			Weldment Roof/Siderails
		Weldment, Door Eng End			Insulation
		Insulations	22	203087GS	ASSY, Bulkhead, Alt End
		Barrel, Hinges with Hardware			Decal, Caution Hot Muffler
5	198910GS	ASSY, Duct, Engine Air			Seal, Foam
		Decals			Seal, Foam Alt Inlet
		Lug, Ground Connect w/Hardware			Pin, Hinges with Hardware
		Bracket, Mounting Breaker			Bracket, Muffler
		w/Hardware	23	77816AGS	DECAL, Caution Hot Muffler
6	202919GS	ASSY, Support, Rail	24	203303GS	INSULATION, Engine Door, Bottom
		Support Rail Eng. End	25	198926GS	ASSY, Vent, Exhaust
		Seal, Foam	26	198460GS	PLUG, Dome
		Decal, Rainproof	27	198927GS	ASSY., Vent, Alt
7	B4300GS	HHS, Trilobular, 1/4-20 x 1/2	28	198888GS	SEAL, Foam
8	203015GS	BUSHING, Snap, 2"	29	194694GS	COVER, Air Intake Engine
9	197493GS	BUSHING, Snap, 1-1/2"	30	203302GS	INSULATION, Engine Door, Top
10	198338GS	REGULATOR, VLTG	31	197312GS	SEAL, Foam
11	*	HHCS, 3/8 - 16 x 1	32	196397GS	INSULATION, Front/Rear Door
12	*	WASHER, Flat, 3/8 - M10	33	195597GS	INSULATION, Roof
13	*	WASHER, Lock 3/8	34	198890GS	KIT, Door, Hinge
14	*	NUT, 3/8 - 16	35	194828GS	SET, Latch Key
			36	198889GS	KIT, Door Latch

* - Items without part numbers are common fasteners and are available at your local hardware store.

EXPLODED VIEW

CONTROL PANEL EXPLODED VIEW



CONTROL PANEL PARTS LIST

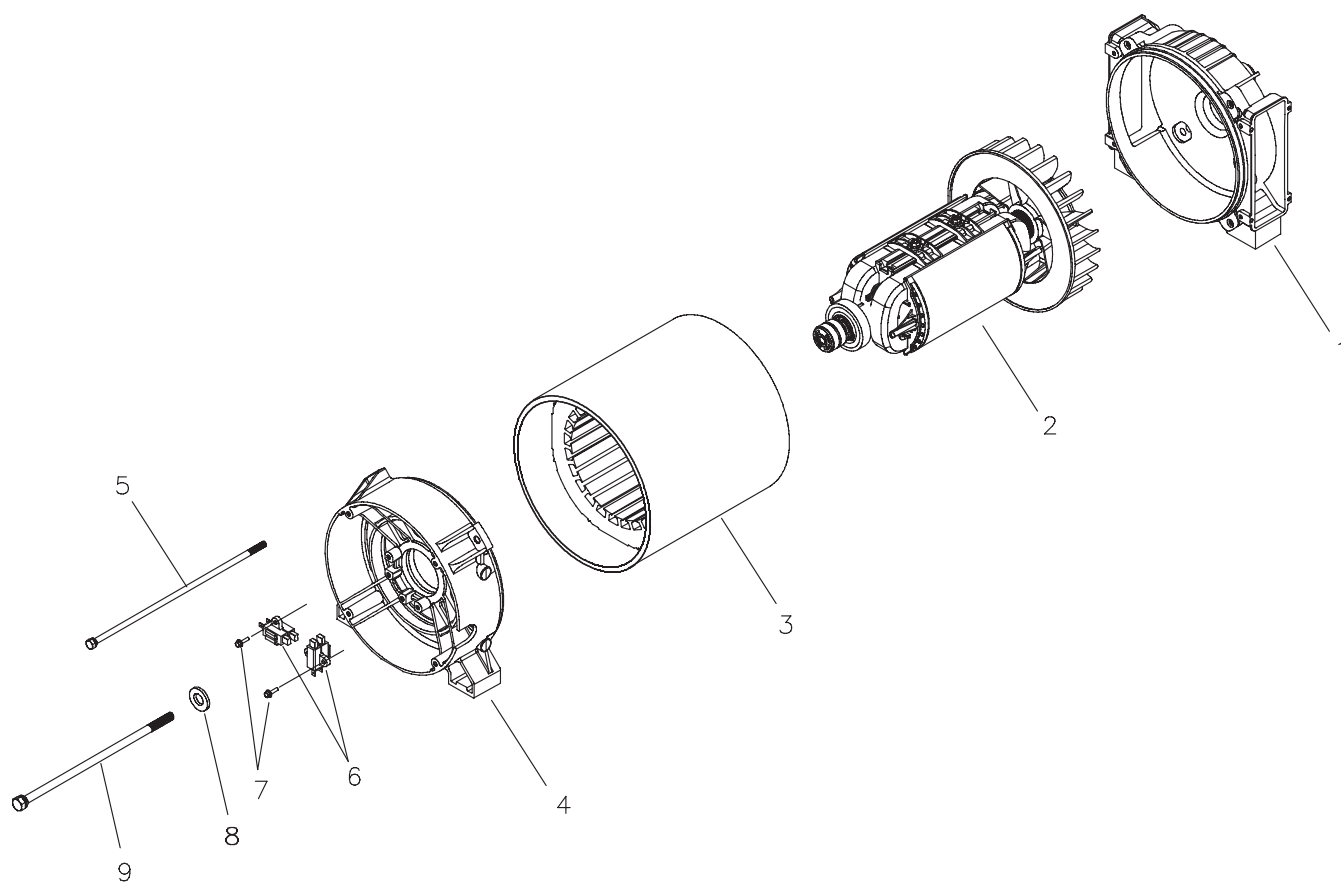
Item	Part #	Description
1	198911GS	ASSY, Cover, Circuit Breaker w/Decals
2	*	SCREW, 10 x 0.62, Plastite
3	202593GS	BREAKER, Circuit 100A, 2P
4	192770GS	BRACKET, Mounting Breaker
5	199011GS	LUG, Ground Connect
6	191991GS	BOLT, 1/4-10 x 1, Plastite
7	198573GS	FUSE, Auto Type 15 Amp
8	202118GS	ASSY, Control Panel
9	197492GS	SCREW, PT, M4 - 1.79 x 16.0
10	198910GS	ASSY, Duct, Engine Air w/Decals
11	B5082AGS	DECAL, Danger High Voltage
12	198549GS	DECAL, Terminal Block
13	198550GS	DECAL, Ground, Neutral
14	186647GS	DECAL, Warning, Outdoor Install
15	193297GS	DECAL, Caution, Standby
16	186646GS	DECAL, Warning, Auto Start
17	186645GS	DECAL, Caution, Electric Shock
18	190992GS	DECAL, Warning Shock
19	*	NUT, 1/4 - 20
21	*	WASHER, Shakeproof, Ext M6 1/4
22	*	HHCS, 1/4 - 20 x 3/4

Parts Not Illustrated

202882GS	HARNESS, Wire, CTL Board to Eng/Alt
198517GS	HARNESS, Wire, E1 & E2 Sensing
203020GS	HARNESS, AVR
198515GS	CONNECTOR, Terminal, 2 Pin
198516GS	CONNECTOR, Terminal, 10 Pin

* - Items without part numbers are common fasteners and are available at your local hardware store.

ALTERNATOR EXPLODED VIEW



ALTERNATOR PARTS LIST

Item	Part #	Description
1	195235GS	ADAPTER, Mounting, Alternator
2	199252GS	ASSY, Rotor
3	199254GS	STATOR
4	195234GS	RBC
5	197177GS	HEX HEAD, SEM Screw
6	66386GS	ASSY, Holder, Brush
7	66849GS	TAPTITE, M5 - 0.8 x 16
8	203200GS	WASHER, 3/8" SAE
9	200442GS	BOLT, 3/8 - 24 x 15.20"

SPECIFICATIONS

Generator

Rated Maximum Power (NG) 18.0 kW
Rated Maximum Load Current:
 at 240 Volts 75 Amps
 at 120 Volts 150 Amps
Rated AC Voltage 120/240 Volts
Rated Frequency 60 Hz at 3600 rpm
Phase Single Phase
Power Factor 1.0
Normal Operating Range -20°F (-28.8°C) to 104°F (40°C)
Output Sound Level 68 dB(A) at 23 ft. (7 m) at normal load
Shipping Weight 613 lbs.

NOTES



Free Manuals Download Website

<http://myh66.com>

<http://usermanuals.us>

<http://www.somanuals.com>

<http://www.4manuals.cc>

<http://www.manual-lib.com>

<http://www.404manual.com>

<http://www.luxmanual.com>

<http://aubethermostatmanual.com>

Golf course search by state

<http://golfingnear.com>

Email search by domain

<http://emailbydomain.com>

Auto manuals search

<http://auto.somanuals.com>

TV manuals search

<http://tv.somanuals.com>