

Trash Compactor Installation, Use & Care Guide

READ AND SAVE THESE INSTRUCTIONS

IMPORTANT SAFEGUARDS

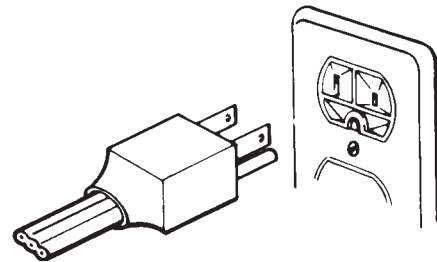
READ ALL INSTRUCTIONS CAREFULLY BEFORE OPERATING COMPACTOR.

Basic precautions should always be taken when using an electrical appliance – including the following:

1. Close supervision is necessary when any appliance is operated near children. Do not allow the appliance to be used as a toy, or to run unattended at any time. Turn key to “OFF” and remove it to lock the compactor. Store the key out of reach to prevent children or others from operating or tampering with the compactor.
2. Do not push trash into compactor drawer with hands or feet. Trash might contain broken glass, sharp pieces of metal, etc., which would cause injury.
3. Do not compact volatile material. Paint, oily rags, lighter fluid cans, and paint thinner cans could combust spontaneously and cause an explosion and/or fire.
4. Do not compact aerosol cans or any other containers still holding toxic chemicals, insecticides, or combustible contents. Fumes may be released which are hazardous to health.
5. Do not compact lighted cigarettes, cigars, or other hot or burning items.
6. Do not overload the compactor.
7. Be careful when removing and carrying bag. Broken glass or other sharp objects may pierce bag. Do not overload trash bag with heavy material such as glass.
8. Do not operate this unit with an extension cord.
9. Use only Broan approved accessories.
10. Do not touch moving parts.
11. Do not take this appliance apart. Incorrect reassembly can cause electrical shock when operated.
12. Do not operate with a damaged power cord, plug, motor, or after damage of any kind. Have the compactor examined, and all repairs made, by an authorized serviceman.
13. This compactor is FOR HOUSEHOLD USE ONLY. Use it only as described in this manual.
14. Unplug the appliance from outlet before servicing.

GROUNDING INSTRUCTIONS

IMPORTANT: TO REDUCE THE RISK OF ELECTRIC SHOCK - PLEASE READ CAREFULLY.



FOR PERSONAL SAFETY, THIS APPLIANCE MUST BE PROPERLY GROUNDED. The power cord on this appliance is equipped with a three-prong (grounding) plug which mates with a standard three-prong (grounded) receptacle as illustrated above.

If there is a two-prong outlet located where you will install the compactor, it is your responsibility to have it replaced with a properly grounded three-prong wall receptacle. No adapter shall be used with this product.

DO NOT, UNDER ANY CIRCUMSTANCES, CUT OR REMOVE THE THIRD (GROUND) PRONG FROM THE POWER CORD PLUG.

The GREEN (or GREEN & YELLOW) conductor in the cord is the grounding wire. Never connect the GREEN (or GREEN & YELLOW) wire to a live terminal.

A 120 volt, 60 Hz., A.C., 15 amp fused and grounded electrical supply is required (time-delay fuse or circuit breaker is recommended). It is recommended that a SEPARATE CIRCUIT serving only this appliance be provided.

DO NOT USE AN EXTENSION CORD WITH THIS APPLIANCE.

TABLE OF CONTENTS

SECTION	PAGE
INSTALLATION	
Unpacking the Trash Compactor	2
Free Standing	2
Built-in Installations	2
Leveling the Compactor	3
Reversing the Door (optional)	3, 4
Tile and Wood Door Assembly	4
PREPARATION	
1. How the Compactor Works	5
2. Use of Key Lock Switch	6
3. Install Odor Control Disk	6
4. Install Bag	6
5. Cutting Board (optional)	6
OPERATION	
6. Compacting	7
7. Compacting Tips	7
8. Bag Removal	7
MAINTENANCE	
9. Cleaning	8, 9
10. Troubleshooting	9
11. Warranty	10

UNPACKING THE TRASH COMPACTOR

The trash compactor is shipped from the factory with packing material in the trash bucket and the ram in the down position. Return the ram to the up position by plugging the unit in, turning the key lock switch to the "ON" position and closing the door. Once the door is closed the unit will run and the ram will travel to the "UP" position. Open the trash bucket and remove the packing material.

Your Broan Elite Compactor has been designed to require minimum space without loss of capacity whether free-standing or built-in.

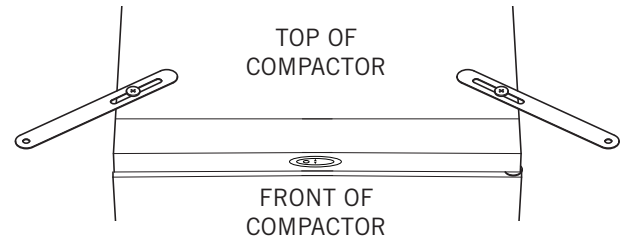
FREE-STANDING

As shipped, the Compactor is only configured for built in installations. This appliance can be converted from built-in to free-standing with the use of Toe Kick Accessory Kit Model 15TCTK (sold separately). If additional cord length is required for free-standing installation, remove the cord clamp and wire tie on the back of the unit.

CAUTION: Failure to use Toe Kick Accessory Kit Model 15TCTK in a free-standing installation may cause the compactor to be unstable during operation.

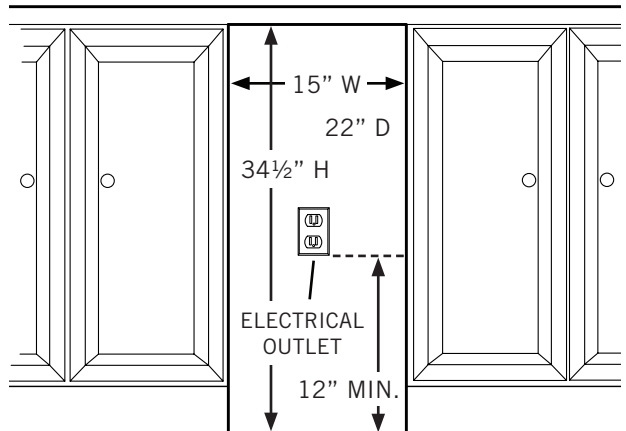
BUILT-IN INSTALLATIONS

MOUNTING STRAPS



Two under-counter mounting straps are provided. Use these straps to secure the compactor to the underside of a countertop. Fasten the slotted end of the straps to the compactor using the holes in the top of the compactor cabinet as shown.

NOTE: When installing compactor under granite or solid-surface countertops, bend the mounting straps so they can be secured to the adjacent cabinetry.



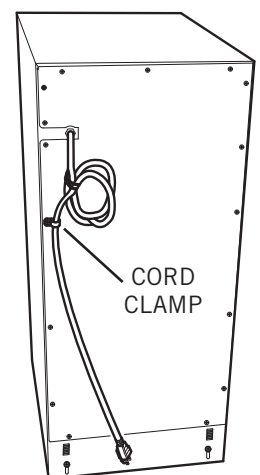
UNDER-COUNTER OPENING

The compactor requires a minimum under-counter opening 15-in. wide, 34½-in. high, and 22-in. deep.

Plan to provide an electrical outlet in the opening that meets all applicable electrical codes and requirements. See "Grounding Instructions" section on Page 1 for specific information.

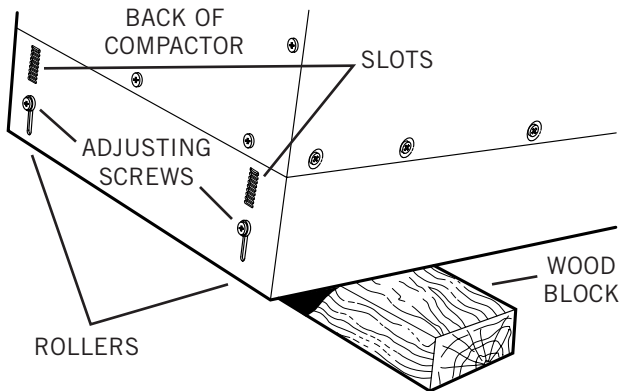
CORD CLAMP

The compactor is equipped with a 6-ft. long power cord. Use the cord clamp to prevent excess power cord from being pinched beneath the cabinet during installation or service.



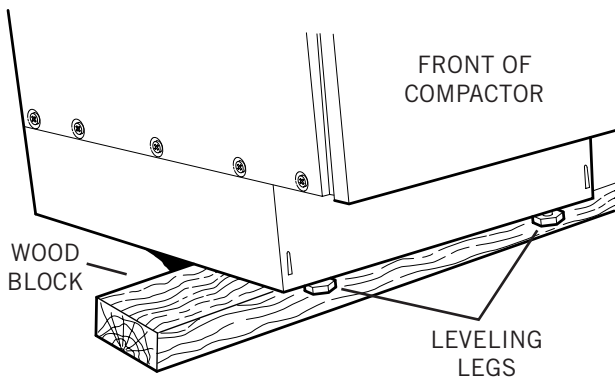
LEVELING THE COMPACTOR

Your compactor has four adjustable levelers; (2) rollers in the rear and (2) legs in the front. They allow you to adjust for uneven floors and also trim the unit up to fit an under-counter installation.



To level the back of the compactor:

Tip the **back of compactor** up and onto a **wood block**. Loosen the **adjusting screws** only far enough to move the **rollers** to a higher or lower **slot**. Retighten the adjusting screws and remove the wood block.



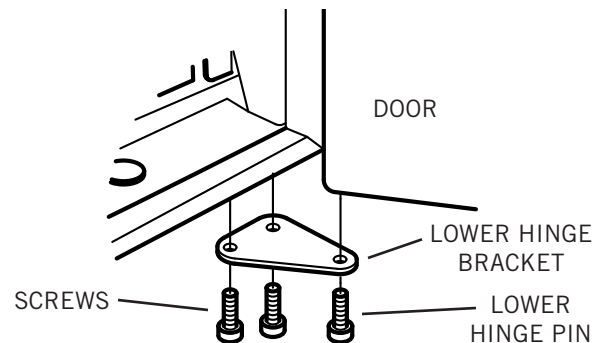
To level the front of the compactor:

Tip the **front of compactor** up and onto a **wood block**. Turn the **leveling legs** in or out to the desired position. Remove the wood block.

REVERSING THE DOOR (optional)

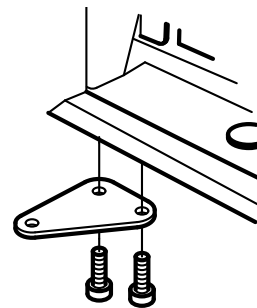
Door Reversal Instructions for all doors (except wood and tile).

As shipped, the compactor door is hinged on the right (when looking at the unit).

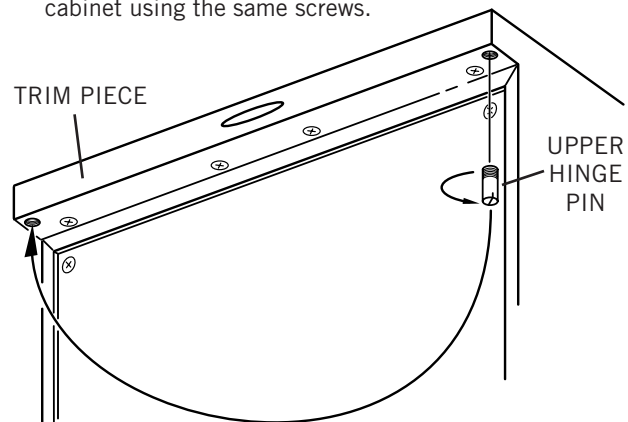


To change door to be hinged on the left:

1. With the door closed, use a 3/16" allen wrench to remove the **lower hinge pin**.
2. Carefully remove **door** by opening and sliding the bottom of the door away from the cabinet.
3. Use a 3/16" allen wrench to remove the **lower hinge bracket** from the cabinet (2 **screws**).

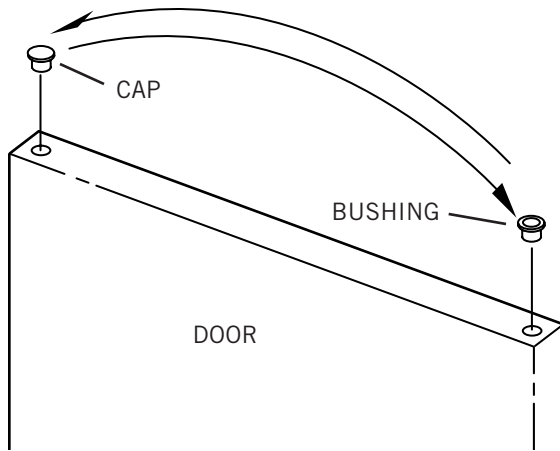


4. **Turn the bracket over** and install the bracket on the opposite side of the cabinet using the same screws.



5. Use a screwdriver to remove the **upper hinge pin** from the **trim piece** and reinstall the pin on the opposite side.

Installation



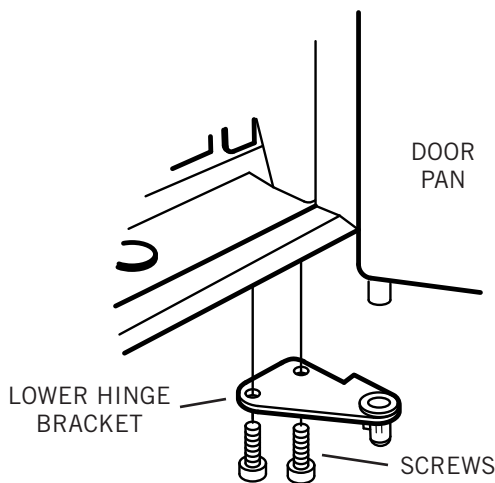
- Being careful not to scratch the **door**, remove the plastic door **bushing** and **cap** from the top and bottom of the door using a small flat screwdriver. Install the bushings on the side of the door panel that will be hinged and install the cap on the opposite side.
- Install the door on the cabinet by inserting the upper hinge pin into the upper door bushing while moving the door into place. Insert the lower hinge pin from Step 1 and tighten securely.

TILE AND WOOD DOOR ASSEMBLY

Use the following instructions if you have a trash compactor with a tile or wood door kit.

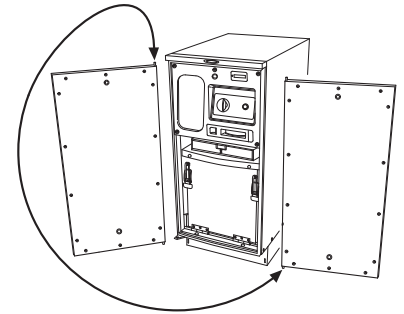
It is recommended you remove the door pan from the compactor to install the custom tile or wood panel.

To remove door pan:

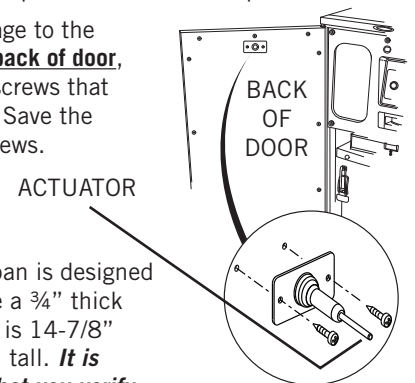


- Use a 3/16" allen wrench to remove the **lower hinge bracket** from the cabinet (2 **screws**).
- Remove the **door pan** from the cabinet.

- Consider where the compactor will be installed and determine whether to hinge the door on the left or right side of the cabinet. Since the hinge pins are permanently attached to the door pan, simply rotate the door pan until the hinge pins are on the desired side. You may want to mark the inside of the door pan to indicate the top.

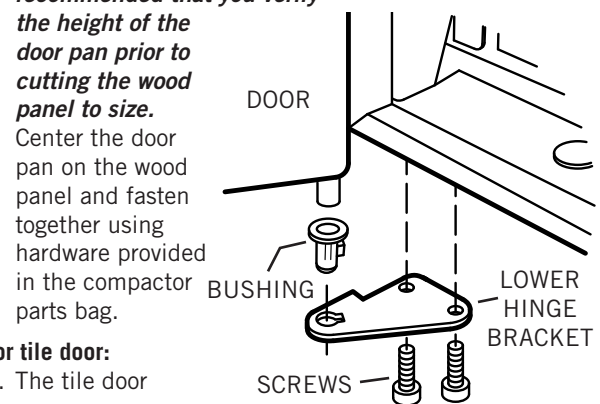


- To prevent damage to the **actuator** on the **back of door**, remove the (2) screws that hold it in place. Save the actuator and screws.



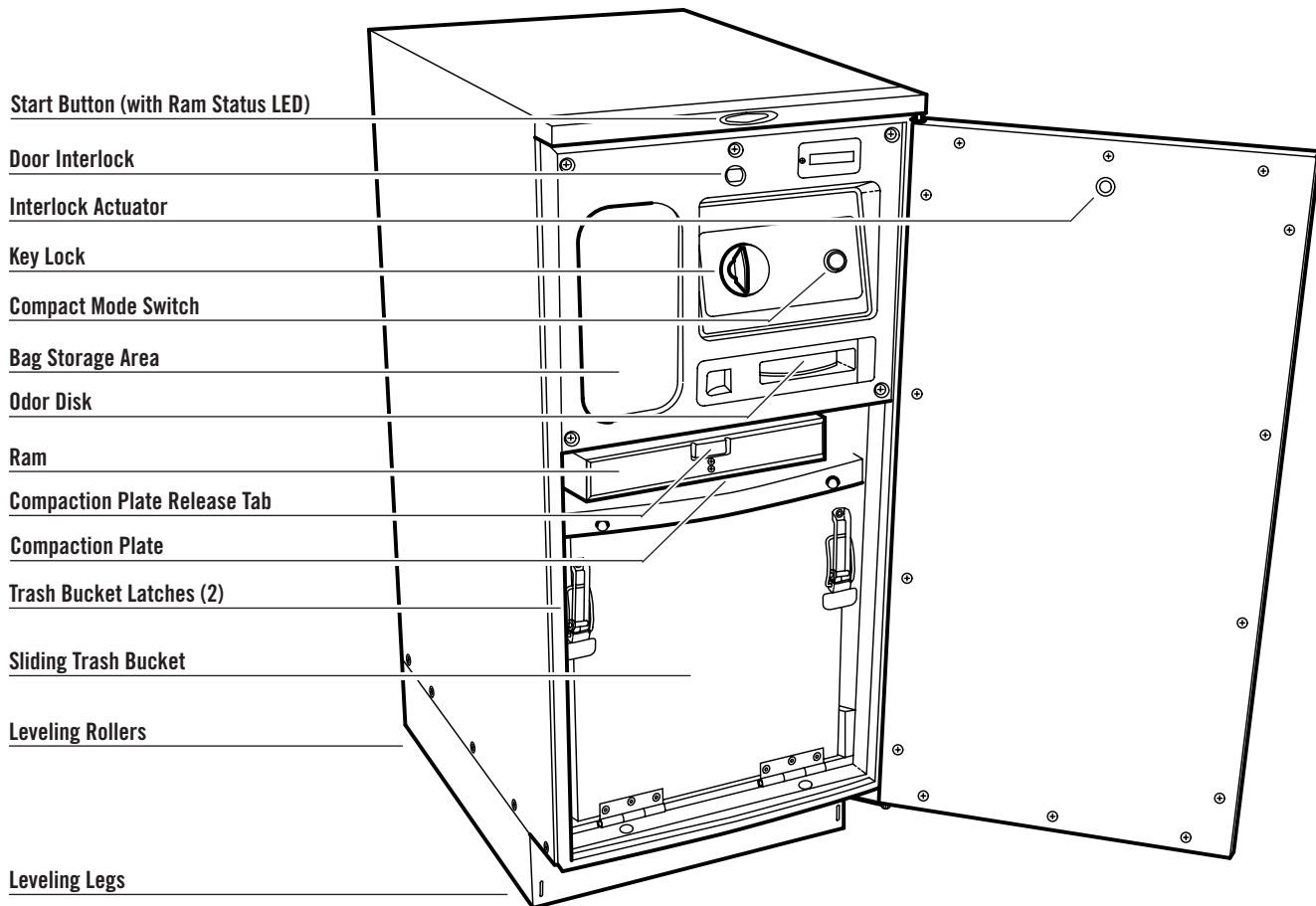
For wood door:

- The wood door pan is designed to accommodate a 3/4" thick wood panel that is 14-7/8" wide by 29-1/4" tall. **It is recommended that you verify the height of the door pan prior to cutting the wood panel to size.**



For tile door:

- The tile door pan comes preassembled with cement backer board. Tile and grout the door pan using traditional tiling methods and materials.
- Purchase a door handle to match your cabinet hardware and install per handle instructions.
- If the door will be hinged on the left side of the compactor, it will be necessary to reverse the **lower hinge bracket** removed in Step 1. Remove the plastic **bushing** from the hinge bracket and install on the opposite side of the bracket. Install the **door** onto the compactor cabinet by reversing the procedure from Step 1.
- Re-install the **actuator** removed in Step 4. Make sure the door opens and closes smoothly with the actuator entering and exiting the door interlock switch on the compactor.



1. HOW THE COMPACTOR WORKS

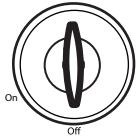
The Broan compactor compresses household trash up to 1/6 of its original volume. It will compact normal household trash including milk cartons, glass and plastic bottles, containers and jars, tin cans, wrappings, boxes, food wastes, etc.

When you start the compactor, an electrically powered ram moves down into the trash bucket, compresses the trash and then returns to the "UP" position and shuts off automatically.

NOTE: The ram travels about 2/3 of the way down into the trash bucket. Because of this, the trash bucket must be at least 1/3 full before you will notice any compression.

2. USE OF KEY LOCK SWITCH

The key lock switch on your compactor is provided for your protection as a safety measure.



When the key lock switch is in the "OFF" position, the compactor will not operate. Lock your compactor, and remove the key to keep children from operating the unit or to prevent anyone from tampering with it.



When the key lock switch is in the "ON" position, the compactor is ready for operation. The key cannot be removed when in the "ON" position.

NOTE: Opening the door during operation will stop the unit. If the compactor is stopped during its cycle, it will always move back UP when the door is closed.

Preparation

3. INSTALL ODOR CONTROL DISK

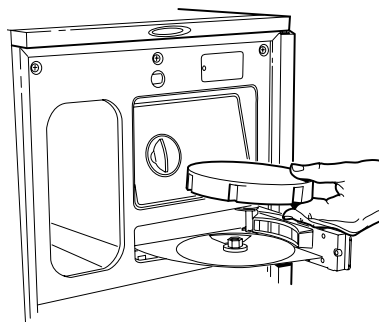
Your Compactor is equipped with an odor control disk that will last up to six months when installed in the trash compactor. The odor disk comes packaged in a foil pouch and is activated once the pouch is opened.

Write dates on the odor disk labels in this manner:

- When pouch is opened, write the "Activation Date" on top of disk in space provided.
- Write dates on the GREEN month indicator labels in this manner:
 Month 1 Label "Advance Date" = 1 month from "Activation Date"
 Month 2 Label "Advance Date" = 2 months from "Activation Date"
 Month 3 Label "Advance Date" = 3 months from "Activation Date"
 Month 4 Label "Advance Date" = 4 months from "Activation Date"
 Month 5 Label "Advance Date" = 5 months from "Activation Date"
- Write date on the RED month indicator label in this manner:
 Month 6 Label "Replacement Date" = 6 months from "Activation Date"

Caution: The odor control disk contains material that may cause moderate eye irritation. Avoid contact with eyes. Harmful if swallowed. Wash skin or clothing thoroughly with soap and water after handling. Do not reuse empty foil pouch.

Remove the disk from the foil pouch, swing open the odor disk door, and place disk face down on tray so that the GREEN Month "1" is visible in the window when the odor disk door is closed.

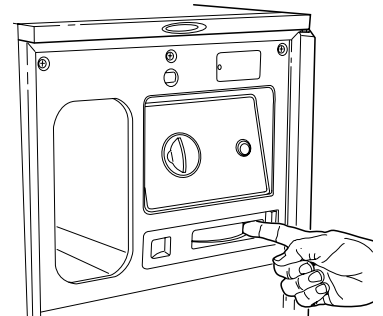


After a month has passed, rotate the disk from right to left with your finger.

Repeat every month.

On the 6th month, the label in the window will be RED - indicating that the odor disk needs to be replaced after 30 days.

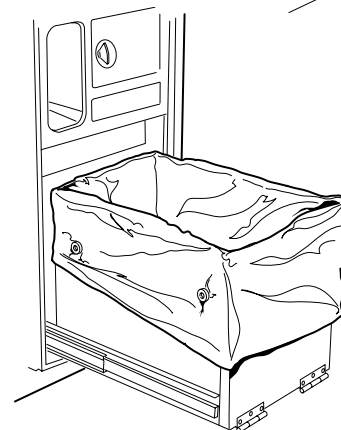
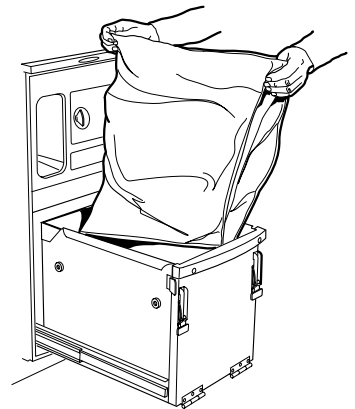
Odor disk, Model 15TCOD, is available from your Broan Distributor.



4. INSTALL BAG

With the door open and the trash bucket extended to the furthest position, place a bag into the bucket. Fold the bag over the top rim of the bucket, on all sides.

Press the bag into all corners of the bucket and smooth the bottom.



Smooth and shape the bag carefully - this will prevent the bag from being torn by the ram during compaction.

Secure the bag in place over the 2 buttons on each side of the bucket. The bag has prepunched slots for this purpose.

5. CUTTING BOARD (optional)

If your compactor will not be installed under a counter - you can order an optional cutting board, Model 15TCBB, from your Broan Distributor.

The cutting board rests on the top of the compactor, and features non-marring rubber feet and a gravy groove on the top.

To keep your wood cutting board from warping, wash with a mild detergent and apply a thin coat of mineral oil.

6. COMPACTING

The compactor is now ready to use.



FOR BEST RESULTS, ALWAYS FILL EACH NEW BAG COMPLETELY BEFORE OPERATING THE COMPACTOR. DOING SO WILL MINIMIZE BAG PULL-UP AND TEARING.

1. Slide trash bucket closed completely.
2. Turn Key Lock Switch to "ON" position.



Key Lock Switch

3. Select 1 of the 2 compact modes:

Compact Mode **Normal Compact Mode**



After the door is closed and the "Start" button is pressed - the ram will travel downward into the trash bucket and compact the trash. At the bottom of the ram stroke, the ram automatically reverses and moves upward out of the trash bucket. Total cycle time will be 45 seconds or less. At the top of the stroke, the compactor automatically shuts itself off and is ready to receive more trash.

Compact Mode **Hold Compact Mode**



After the door is closed and the "Start" button is pressed - the ram will travel downward into the trash bucket and compact the trash. This setting is helpful for compressing trash completely to allow for greater capacity. At the bottom of the ram stroke, the ram will shut off. Press the "Start" button again to reverse the ram upward out of the trash bucket. At the top of the stroke, the compactor automatically shuts itself off and is ready to receive more trash.

4. Close the door.
5. Press the "Start" button at the top-center of the unit to begin compacting. The compactor will automatically shut itself off when the compaction cycle is completed. The "Ram Status LED" is GREEN when the ram is in the up position and ready to receive trash. The LED will turn RED when the ram is moving or stopped in any other position.



Start Button

Ram Status LED

6. The compacting cycle may be stopped at any time by opening the door. Once stopped, the ram will always move upward when the door is closed.

7. COMPACTING TIPS

- Although it is not necessary to compact until the drawer is full or nearly so, it is suggested that for maximum compaction, you start the compactor each time a significant amount of trash is added.
- At full stroke, the ram does not travel all the way to the bottom of the trash bucket. Trash in the bottom 1/3 of the bucket will be crushed during subsequent compacting.
- Glass bottles can make a loud noise when they break during compaction. This is normal. Bottles do not always break during the first cycle. Breaking glass and associated noise may occur several cycles later depending on type and volume of trash.
- Bottles and large cans compact best when laid flat near the center of the trash bucket.
- Place a couple of folded sheets of newspaper, or a large paper grocery bag on top of the load to be compacted when :
 - compacting large or several glass bottles or jars (or any items that might shatter). This will help prevent glass fragments and particles from flying out of bucket into mechanism.
 - compacting unwrapped messy food waste. This will help keep the power ram clean.
- Compacting extreme uneven loads may cause the trash bucket to shift forward which may cause the door to open and interrupt the compaction cycle. Gently push and hold door closed to activate the ram until it returns to the up position. Open the trash bucket and reposition any objects that may be causing the uneven load. Close the door and re-activate the compaction cycle by pressing the start button.
- There are certain types of trash that create exceptionally strong odors such as raw meat, fish, grapefruit rinds, personal hygiene items, and disposable diapers. You may not wish to put such items into your compactor.
- If the compactor will not be used for an extended period of time, such as during vacation, remove the bag to prevent a build-up of undesirable odor.



CAUTION: DO NOT COMPACT AEROSOL CANS OR ANY OTHER CONTAINERS STILL HOLDING OR WHICH HELD TOXIC CHEMICALS, INSECTICIDES, OR COMBUSTIBLE CONTENTS. FUMES MAY BE RELEASED THAT ARE HAZARDOUS TO HEALTH OR MAY RESULT IN FIRE OR EXPLOSION.



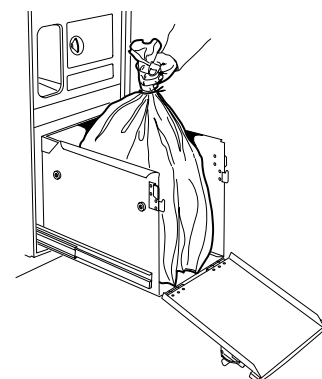
Do not put paint, oily rags, lighter fluid cans, paint thinner cans, etc., in your compactor. Doing so could result in spontaneous combustion causing a fire and/or explosion.



NEVER PUSH TRASH INTO THE BUCKET WITH HANDS OR FEET. Trash might contain broken glass, sharp pieces of metal, etc., which could cause injury.

8. BAG REMOVAL

1. Slide out trash bucket.
2. Release bucket latches and lower front of bucket.
3. Unbutton bag from bucket and close by twisting bag top. Fasten with twist-tie provided.
4. Lift and slide bag from bucket.



EXCEPT FOR CLEANING DESCRIBED IN THE FOLLOWING SECTION, ALL SERVICE SHALL BE PERFORMED BY AN AUTHORIZED SERVICE REPRESENTATIVE. Page 8

9. CLEANING

Your compactor has been designed with easy access for cleaning when required.

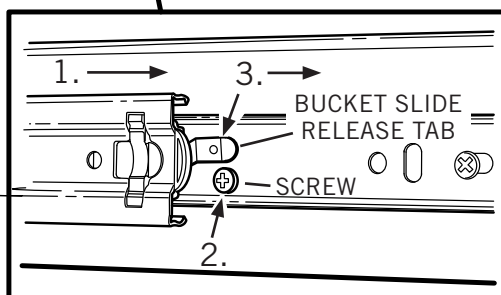
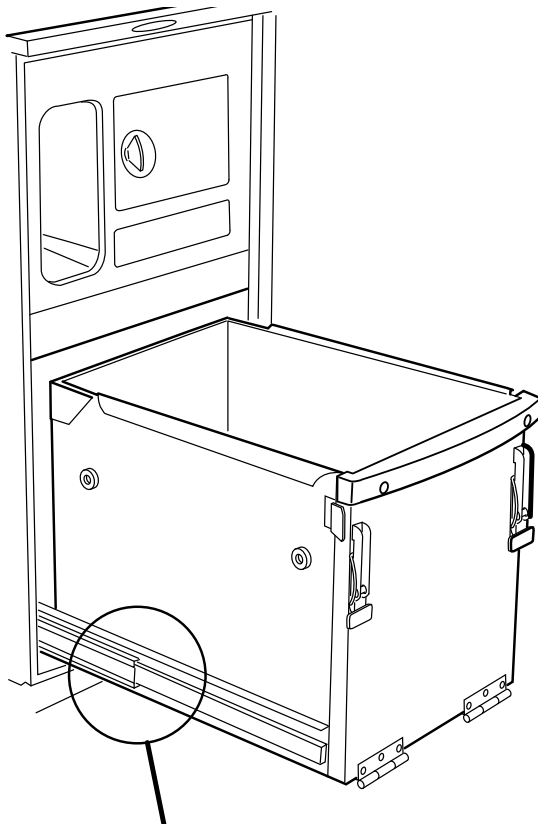
The interior and exterior of the cabinet are finished with a durable baked-on enamel finish.

Do not use harsh or gritty cleanser or scouring pads which may mar the finish of the compactor. Use a mild detergent solution on these surfaces.



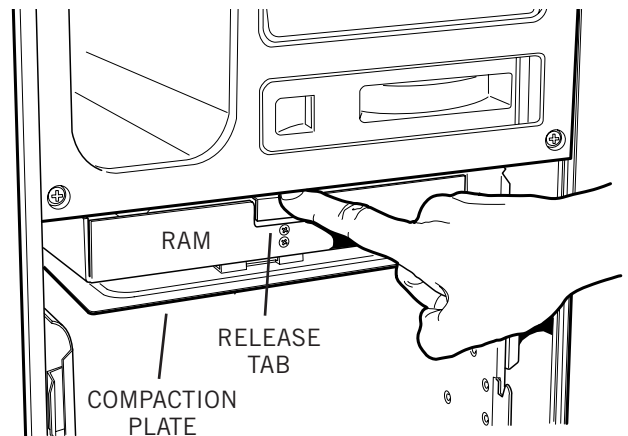
CAUTION: Glass fragments and other sharp trash pieces may be on or around the surfaces to be cleaned. Carefully remove these objects before wiping down any surfaces.

REMOVE TRASH BUCKET AND CLEAN INTERIOR



1. Pull out trash bucket until it stops.
2. Remove (1) **screw** from each of the bucket slides.
3. Press down on left and right **bucket slide release tabs** while pulling the bucket out of the unit.
4. Vacuum and clean cabinet base, track channels, and bucket, particularly in corners.
5. Wash the cabinet interior with a mild detergent solution.
6. When finished cleaning the cabinet, install the trash bucket by reversing steps 2 and 3.

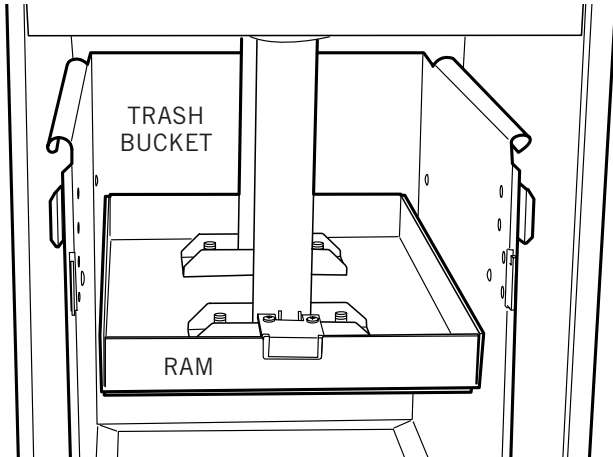
CLEAN COMPACTION PLATE



1. The **ram** is equipped with a **compaction plate** that can be removed for easy cleaning.
2. Make sure the trash bucket is empty and without a bag.
3. Push the trash bucket into the cabinet. Unlatch and lower the bucket front.
4. Press the compaction plate **release tab** on the front of the ram to disengage the plate. The plate can be removed by pulling down and away from the ram.
5. Once removed the compactor plate can be washed in a mild detergent solution or placed in a dishwasher.
6. Re-install the compactor plate by inserting the tab (on the rear of the plate) into the slot (at in the rear of the ram). Press up on the front of the plate until it securely latches in place.

9. CLEANING (continued)

CLEAN RAM



1. Make sure the **trash bucket** is empty and pushed into the cabinet.
2. Turn the Key Lock Switch to "ON" position.



Key Lock Switch

3. Select the "Hold" compact mode.

Compact Mode



Hold Compact Mode

4. Close the door.
5. Press the "Start" button.



Start Button

The **ram** will travel downward into the trash bucket and stop at the bottom of its stroke.



CAUTION: Glass fragments and other sharp trash pieces may be on or around the surfaces to be cleaned. Carefully remove these objects before wiping down any surfaces.

6. Open the door. Unlatch and lower the bucket front. Vacuum top of ram and clean with a mild detergent solution.
7. When finished cleaning:
Raise and re-latch bucket front, close door, and press "Start" button. The ram will return to the top of its stroke and automatically shut itself off. Open door, slide bucket out, install bag, and select compact mode. Compactor is now ready to receive trash.

10. TROUBLESHOOTING

Before you call for service, check these handy hints which may save you the cost of a service call:

1. Is electric cord plugged in securely?
2. Has a house fuse blown or a circuit breaker tripped?
3. Is the door pushed firmly shut?
4. Is the key switch in the "ON" position?
5. Did you press the "Start" button long enough to start the compaction cycle?
6. If trash bucket is difficult to close, check to see if any trash has fallen behind the bucket - preventing it from closing completely.
7. The motor has an automatic thermal cutout. If you have compacted repeatedly, this protector may have opened the circuit. Wait a few minutes and the cutout will reset automatically.
8. The trash bucket must be at least 1/2 full of trash before any appreciable amount of compacting will be apparent - as the ram does not travel all the way to the bottom of the bucket. Trash in the bottom 1/3 of the bucket will be crushed during subsequent compacting.
9. On rare occasions, a large can placed near the outer edge of the trash bucket may become wrapped around the edge of the ram. This could interfere with proper ram operation. To correct, simply open the door, unlatch and open the front of the bucket, and remove the can. **BE CAREFUL WHEN HANDLING SHARP OBJECTS!**
10. In the unlikely event that the interlock actuator (on the inside of the door) breaks off, the compactor will not operate. **DO NOT ATTEMPT TO OPERATE COMPACTOR IN ANY OTHER MANNER.** A replacement actuator can be ordered from your Broan Distributor.
11. To obtain service, provide the unit model number, serial number and nature of any defect in the product or part. The model number, serial number and all other data is shown on the model plate, which is located on the inside wall of cabinet. When requesting warranty service, evidence of the original purchase date must be presented. To obtain the name of the warranty service center serving your location, contact the dealer who sold you your compactor or Broan-NuTone LLC.

11. WARRANTY

BROAN-NUTONE ONE YEAR LIMITED WARRANTY

Broan-NuTone warrants to the original consumer purchaser of its products that such products will be free from defects in materials or workmanship for a period of one year from the date of original purchase. THERE ARE NO OTHER WARRANTIES, EXPRESS OR IMPLIED, INCLUDING, BUT NOT LIMITED TO, IMPLIED WARRANTIES OF MERCHANTABILITY OR FITNESS FOR A PARTICULAR PURPOSE.

During this one-year period, Broan-NuTone will, at its option, repair or replace, without charge, any product or part which is found to be defective under normal use and service.

THIS WARRANTY DOES NOT EXTEND TO FLUORESCENT LAMP STARTERS AND TUBES. This warranty does not cover (a) normal maintenance and service or (b) any products or parts which have been subject to misuse, negligence, accident, improper maintenance or repair (other than by Broan-NuTone), faulty installation or installation contrary to recommended installation instructions.

The duration of any implied warranty is limited to the one-year period as specified for the express warranty. Some states do not allow limitation on how long an implied warranty lasts, so the above limitation may not apply to you.

BROAN-NUTONE'S OBLIGATION TO REPAIR OR REPLACE, AT BROAN-NUTONE'S OPTION, SHALL BE THE PURCHASER'S SOLE AND EXCLUSIVE REMEDY UNDER THIS WARRANTY. BROAN-NUTONE SHALL NOT BE LIABLE FOR INCIDENTAL, CONSEQUENTIAL OR SPECIAL DAMAGES ARISING OUT OF OR IN CONNECTION WITH PRODUCT USE OR PERFORMANCE. Some states do not allow the exclusion or limitation of incidental or consequential damages, so the above limitation or exclusion may not apply to you. This warranty gives you specific legal rights, and you may also have other rights, which vary from state to state. This warranty supersedes all prior warranties.

To qualify for warranty service, you must (a) notify Broan-NuTone at the address or telephone number below, (b) give the model number and part identification and (c) describe the nature of any defect in the product or part. At the time of requesting warranty service, you must present evidence of the original purchase date.

Broan-NuTone LLC Hartford, Wisconsin
www.broan.com 800-558-1711

Broan-NuTone Canada Mississauga, Ontario
www.broan.ca 877-896-1119

Guide d'installation et d'utilisation du compacteur à déchets

LIRE CES DIRECTIVES ET LES CONSERVER

CONSIGNES DE SÉCURITÉ IMPORTANTES



LIRE ATTENTIVEMENT CES INSTRUCTIONS AVANT D'UTILISER LE COMPACTEUR

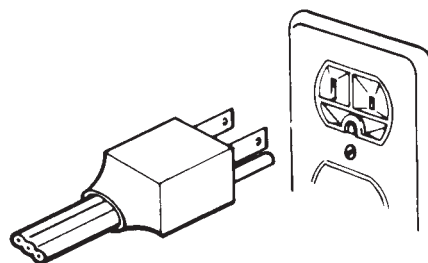
Des précautions élémentaires devraient toujours être prises lors de l'utilisation d'un appareil électrique, dont celles-ci :

1. Une étroite surveillance est nécessaire lorsqu'un enfant utilise un appareil électrique. Ne pas permettre que l'appareil soit utilisé comme un jouet ni le laisser en marche sans surveillance. Mettre la clé sur « ARRÊT » et la retirer du compacteur. Ranger la clé hors de portée des enfants pour les empêcher d'utiliser ou d'abîmer le compacteur.
2. Ne pas pousser les déchets dans le tiroir du compacteur avec les mains ou les pieds. Les déchets peuvent contenir du verre brisé, des pièces de métal tranchantes, etc., risquant de vous blesser.
3. Ne pas compacter les substances volatiles. La peinture, les chiffons huileux, les contenants d'essence à briquet et de diluant à peinture peuvent s'enflammer spontanément et provoquer une explosion et/ou un incendie.
4. Ne pas compacter les boîtes d'aérosol ni tout autre contenant pouvant contenir encore des matières toxiques, des insecticides ou des combustibles. Des vapeurs dangereuses pour la santé peuvent se dégager.
5. Ne pas compacter les cigarettes ou cigares allumés ni tout autre objet chaud ou en train de brûler.
6. Ne pas surcharger le compacteur.
7. Faire attention en sortant le sac. Du verre brisé ou d'autres objets coupants pourraient le percer. Ne pas surcharger le sac à déchets d'objets lourds, tel que du verre.
8. Ne pas utiliser cet appareil avec une rallonge électrique.
9. N'utiliser que les accessoires approuvés par Broan.
10. Ne pas toucher aux pièces mobiles.
11. Ne pas démonter cet appareil. Un mauvais remontage pourrait causer un choc électrique lors de son fonctionnement.
12. Ne pas faire fonctionner l'appareil si le cordon électrique, la fiche ou le moteur est endommagé, ni après quelque dommage que ce soit. Confier l'examen ou toute réparation du compacteur à un technicien autorisé.
13. Ce compacteur est conçu UNIQUEMENT POUR UN USAGE DOMESTIQUE. Ne l'utiliser que tel qu'expliqué dans ce manuel.
14. Débrancher l'appareil de la prise de courant avant l'entretien.

INSTRUCTIONS DE MISE À LA TERRE



IMPORTANT : POUR RÉDUIRE LES RISQUES DE CHOC ÉLECTRIQUE, LIRE CECI ATTENTIVEMENT.



POUR VOTRE SÉCURITÉ PERSONNELLE, CET APPAREIL DOIT ÊTRE CORRECTEMENT MIS À LA TERRE. Le cordon électrique de cet appareil comporte une fiche à trois broches (pour mise à la terre) qui convient aux prises de courant standard (avec mise à la terre), tel qu'illustré ci-dessus.

Si la prise de courant à l'emplacement du compacteur ne comporte que deux broches, il est de votre responsabilité de la faire remplacer par une prise à trois broches correctement mise à la terre. Ne pas utiliser d'adaptateur avec ce produit.

SOUS AUCUN PRÉTEXTE, NE JAMAIS COUPER NI ENLEVER LA TROISIÈME BROCHE (FIL DE TERRE) DE LA FICHE DU CORDON ÉLECTRIQUE.

Le conducteur VERT (ou VERT et JAUNE) du cordon est le fil de terre. Ne jamais connecter le fil VERT (ou VERT et JAUNE) à une borne sous tension.

Une alimentation électrique de 120 volts, 60 Hz., C.A., avec un fusible de 15 A est requise (il est recommandé d'utiliser un fusible temporisé ou un disjoncteur). Il est également conseillé d'utiliser un CIRCUIT DISTINCT réservé à l'appareil.

NE PAS UTILISER UNE RALLONGE ÉLECTRIQUE AVEC CET APPAREIL.

TABLE DES MATIÈRES

SECTION	PAGE
INSTALLATION	
Déballage du compacteur à déchets.....	12
Installations encastrées	12
Nivellement du compacteur	13
Inversion de la porte (facultatif)	13,14
Porte en bois ou à carreaux	14
PRÉPARATION	
1. Fonctionnement du compacteur	15
2. Utilisation de l'interrupteur à clé	16
3. Installation du disque anti-odeurs.....	16
4. Installation du sac	16
5. Plaque à découper (en option)	16
FONCTIONNEMENT	
6. Compactage	17
7. Conseils pour le compactage.....	17
8. Retrait du sac.....	17
ENTRETIEN	
9. Nettoyage.....	18, 19
10. Dépannage.....	19
11. Garantie	20

DÉBALLAGE DU COMPACTEUR À DÉCHETS

Le compacteur à déchets est expédié de l'usine avec des matériaux d'emballage dans le bac à ordures et avec le vérin abaissé. Ramenez le vérin à la position du haut en branchant l'appareil, en tournant l'interrupteur à clé à la position « ON » (marche) et en refermant la porte. Dès que la ferme est fermée, l'appareil démarre et le vérin remonte à la position du « HAUT ». Ouvrez le bac à ordures et enlevez le matériel d'emballage.

Votre Compacteur Broan Elite est conçu pour occuper un minimum d'espace sans réduire sa capacité, qu'il soit autonome ou encastré.

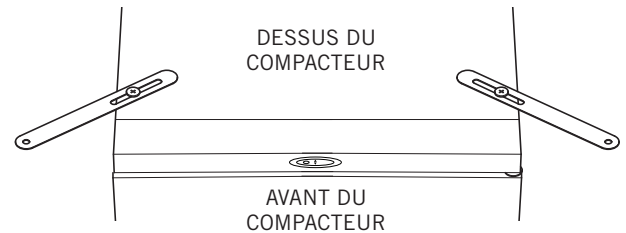
APPAREIL AUTONOME

Tel que livré, le compacteur n'est configuré que pour les installations encastrées. Il peut être converti en un appareil autonome à l'aide de l'adaptateur coup de pied, modèle 15TCTK (vendu séparément). Si un cordon électrique plus long est nécessaire pour une installation autonome, enlever la l'attache du cordon à l'arrière de l'appareil.

ATTENTION : Négliger d'utiliser l'Adaptateur coup de pied modèle 15TCTK dans une installation autonome peut rendre le compacteur instable pendant son fonctionnement.

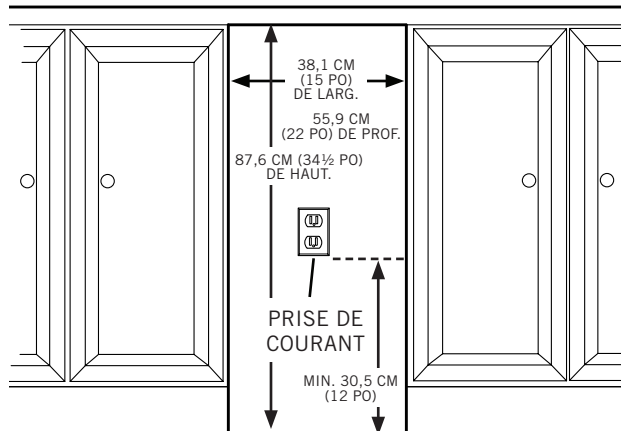
INSTALLATIONS ENCASTRÉES

BRIDES DE MONTAGE



Deux brides de montage à fixer sous le comptoir sont fournies. Utilisez ces brides pour fixer le compacteur en dessous du comptoir. Fixez l'extrémité fendue des brides dans les trous sur le dessus du compacteur, tel qu'illustré.

REMARQUE : Lors de l'installation du compacteur sous un comptoir de granite ou massif, pliez les brides de montage pour pouvoir les fixer aux armoires adjacentes.



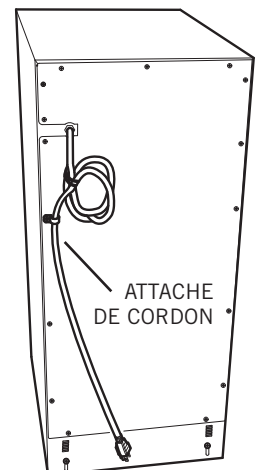
OUVERTURE SOUS LE COMPTOIR

Le compacteur nécessite une ouverture minimale sous le comptoir de 38,1 cm (15 po) de largeur, 87,6 cm (34½ po) de hauteur et de 55,9 cm (22 po) de profondeur.

Planifiez l'installation d'une prise de courant dans l'ouverture conformément aux codes et aux exigences d'électricité en vigueur. Consultez la section « Instructions de mise à la terre » pour des renseignements plus précis.

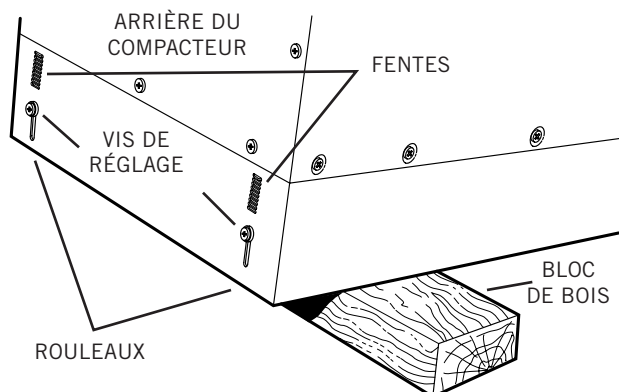
ATTACHE DE CORDON

Le compacteur est muni d'un cordon électrique de 1,83 m (6 pi) de longueur. Utilisez l'attache de cordon pour empêcher celui-ci de se coincer sous l'appareil lors de l'installation ou de travaux d'entretien.



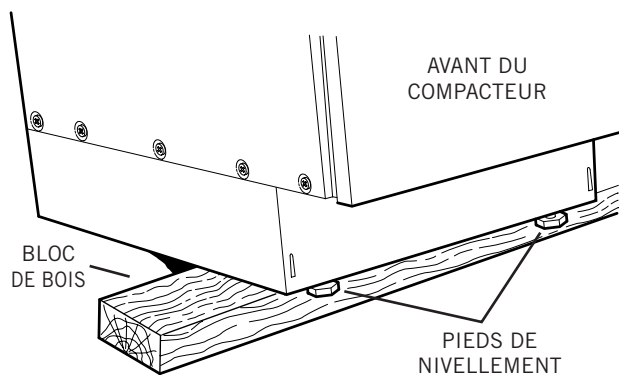
NIVELLEMENT DU COMPACTEUR

Votre compacteur comporte quatre appuis réglables : (2) rouleaux à l'arrière et (2) pieds à l'avant. Ils permettent de régler le niveau de l'appareil sur un plancher inégal et d'ajuster sa hauteur pour une installation sous un comptoir.



Pour régler le niveau de l'arrière du compacteur :

Soulevez **l'arrière du compacteur** et appuyez-le sur un **bloc de bois**. Desserrez les **vis de réglage** juste assez pour régler les **rouleaux** une **fente** plus haut ou plus bas. Resserrez les vis de réglage et retirez le bloc de bois.



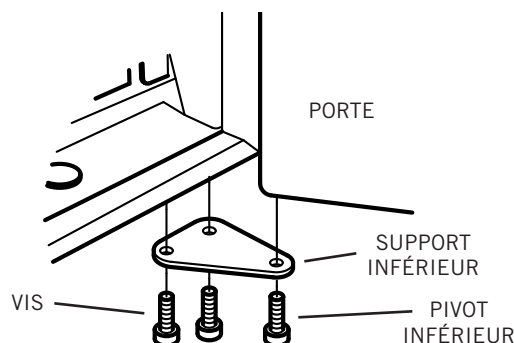
Pour régler le niveau de l'avant du compacteur :

Soulevez **l'avant du compacteur** et appuyez-le sur un **bloc de bois**. Serrez ou desserrez les **pieds de nivellement** à la position voulue. Retirez le bloc de bois.

INVERSION DE LA PORTE (facultatif)

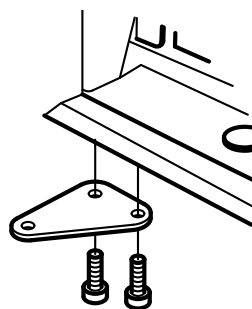
INSTRUCTIONS POUR INVERSER TOUS LES TYPES DE PORTE (SAUF CELLES EN BOIS OU À CARREAUX).

Tel que livré, les charnières de la porte du compacteur se trouvent à droite (en regardant face à l'appareil).

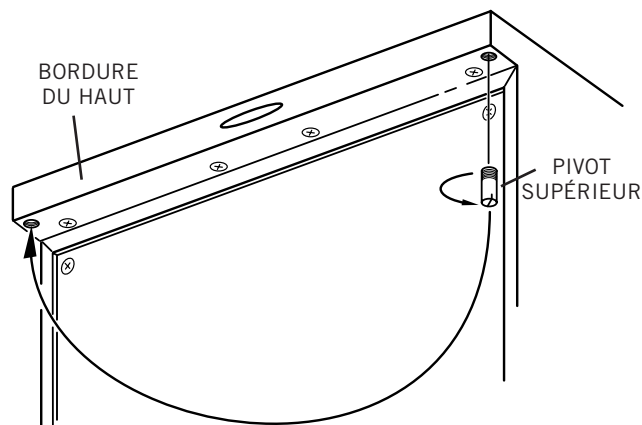


Pour que la porte ouvre à gauche :

1. La porte étant fermée, enlevez le **pivot inférieur** à l'aide d'une clé hexagonale de 3/16 po.
2. Enlevez soigneusement la **porte** en éloignant le bas de celle-ci du boîtier de l'appareil.
3. À l'aide d'une clé hexagonale de 3/16 po, enlevez le **support inférieur** de la charnière (2 **vis**).

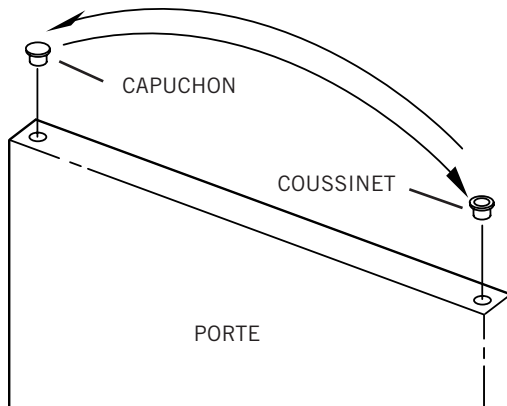


4. **Retournez le support** et posez-le du côté opposé de l'appareil avec les mêmes vis.



5. À l'aide d'un tournevis, enlevez le **pivot supérieur** de la **bordure du haut** et reposez-le de l'autre côté de l'appareil.

Installation



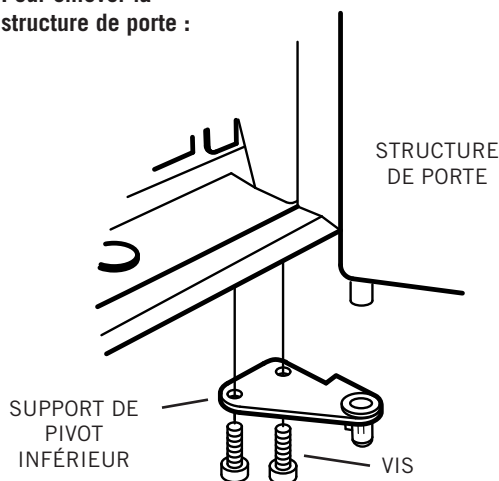
6. Tout en faisant attention de ne pas égratigner la **porte**, enlevez le **coussinet** et le **capuchon** de plastique du haut et du bas de la porte à l'aide d'un petit tournevis plat. Reposez les coussinets de la porte du côté où se trouveront les charnières et le capuchon du côté opposé.
7. Installez la porte sur l'appareil en insérant le pivot supérieur dans le coussinet supérieur tout en remplaçant la porte. Reposez le pivot inférieur enlevé à l'étape 1 et serrez-le fermement.

PORTE EN BOIS OU À CARREAUX

Utilisez les instructions suivantes si votre compacteur comprend un ensemble de porte en bois ou de porte à carreaux.

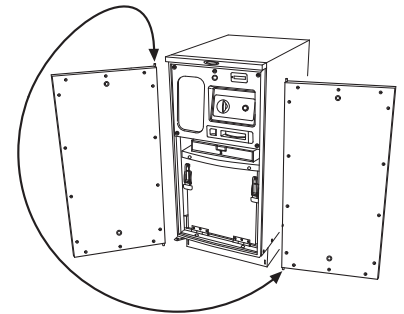
Il est conseillé d'enlever la structure de porte du compacteur pour installer le panneau à carreaux ou le panneau de bois.

Pour enlever la structure de porte :

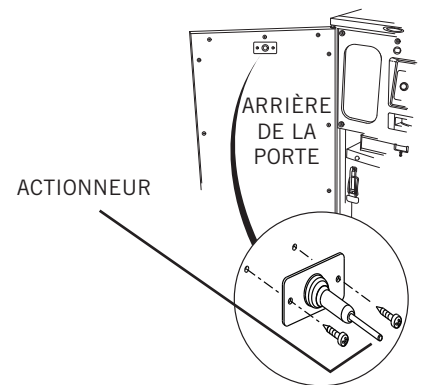


1. À l'aide d'une clé hexagonale de 3/16 po, enlevez le **support de pivot inférieur** de la charnière (2 **vis**).
2. Enlevez la **structure de porte** de l'appareil.

3. Réfléchissez à l'emplacement du compacteur et déterminez si les charnières de la porte seront à gauche ou à droite. Puisque les pivots de charnière sont fixés en permanence à la structure de porte, tournez-la simplement pour que les pivots soient du bon côté. Vous pouvez marquer l'intérieur de la structure de porte pour indiquer le haut.

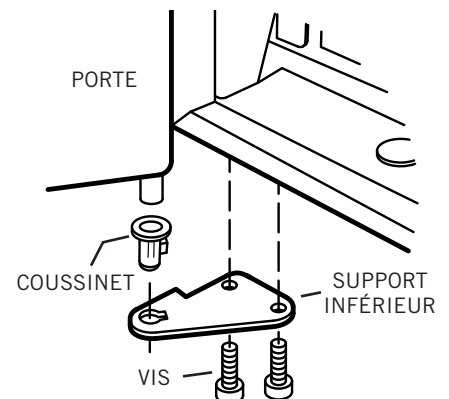


4. Pour éviter d'endommager l'**actionneur** à l'**arrière** de la porte, enlevez les (2) vis qui le maintiennent en place. Conservez l'actionneur et les vis.



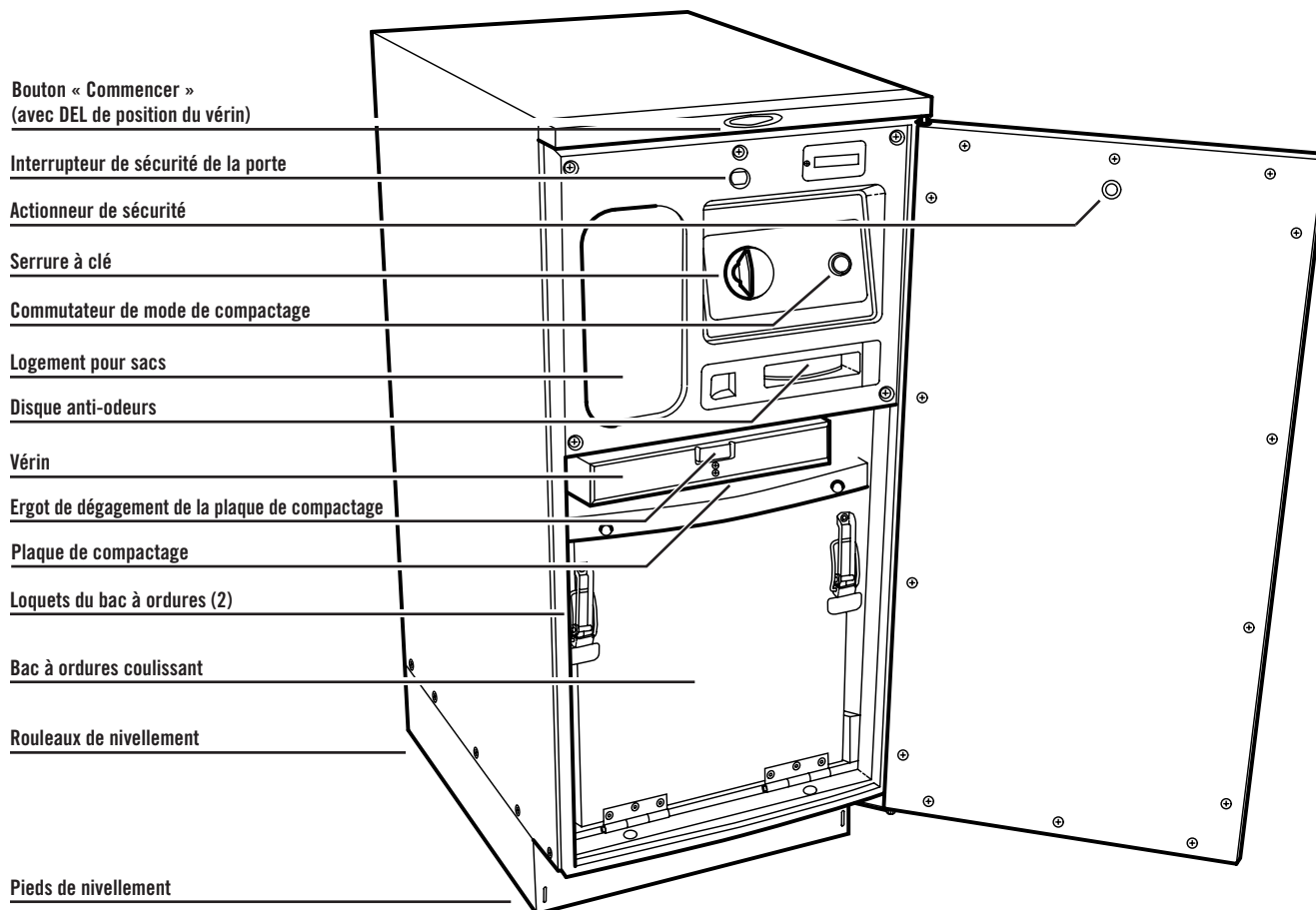
Pour une porte en bois :

5. La structure de porte est conçue pour accueillir une porte en bois de 19 mm (3/4 po) d'épaisseur et de 37,8 cm (14-7/8 po) de largeur par 74,3 cm (29-1/4 po) de hauteur. **Il est conseillé de vérifier la hauteur de la structure de porte avant de couper le panneau de porte à la bonne dimension.** Centrez la structure de porte sur le panneau de porte et fixez-les ensemble avec la quincaillerie incluse dans le sac de pièces du compacteur.



Pour une porte à carreaux :

5. La structure de porte pour carreaux est préassemblée avec un endos de ciment. Posez les carreaux et le coulis sur la structure de porte à l'aide des matériaux et méthodes traditionnels.
6. Procurez-vous une poignée de porte assortie à celles de vos armoires de cuisine et installez-la conformément aux instructions.
7. Si les charnières seront du côté gauche du compacteur, il sera nécessaire de retourner le **support de pivot inférieur**, enlevé à l'étape 1. Retirez le **coussinet** de plastique du support de charnière et posez-le du côté opposé du support. Fixez la **porte** sur le boîtier du compacteur en inversant la marche à suivre de l'étape 1.
8. Réinstallez l'**actionneur** enlevé à l'Étape 4. Assurez-vous que la porte s'ouvre et se ferme en douceur et que l'actionneur entre et ressort de l'interrupteur de sécurité du compacteur.



1. FONCTIONNEMENT DU COMPACTEUR

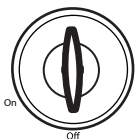
Le Compacteur Broan Elite comprime les ordures ménagères jusqu'à 1/6 de leur volume original. Il compacte les ordures ménagères ordinaires comme les cartons de lait, les bouteilles en verre et en plastique, les pots et contenants, les boîtes de conserve, les emballages, boîtes en carton, restes d'aliment, etc.

Lorsque vous mettez le compacteur en marche, un vérin électrique s'abaisse dans le bac à ordures, comprime les déchets puis revient à sa position du « HAUT » et s'arrête automatiquement.

REMARQUE : Le vérin descend jusqu'aux deux tiers du bac à ordures. C'est pourquoi le bac doit être au moins rempli du tiers avant d'observer tout compactage.

2. UTILISATION DE L'INTERRUPTEUR À CLÉ

Le compacteur comporte un interrupteur à clé pour votre protection et comme dispositif de sécurité.



Lorsque l'interrupteur à clé est sur « ARRÊT » (OFF), le compacteur ne peut pas fonctionner. Verrouillez le compacteur et enlevez la clé pour empêcher les enfants de le faire fonctionner et éviter que quiconque ne l'endommage.



Lorsque l'interrupteur à clé est sur « MARCHÉ » (ON), le compacteur est prêt à fonctionner. La clé ne peut être enlevée en position « MARCHÉ » (ON).

REMARQUE : L'appareil s'arrête dès que l'on ouvre la porte. Si le compacteur est arrêté au milieu d'un cycle, il reprend sa position du HAUT une fois la porte refermée.

3. INSTALLATION DU DISQUE ANTI-ODEURS

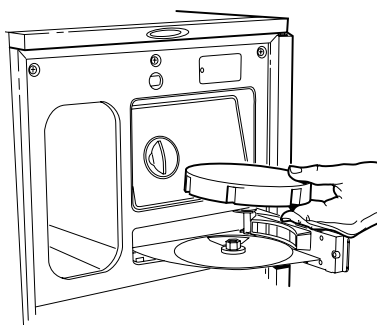
Votre compacteur est muni d'un disque anti-odeurs qui durera jusqu'à six mois une fois installé dans l'appareil. Ce disque se présente dans un sachet d'aluminium et est activé à l'ouverture du sachet.

Notez les dates sur les étiquettes de disque comme suit :

- Lorsque vous ouvrez le sachet, écrivez la « Date d'activation » sur le dessus du disque dans l'espace prévu à cet effet.
- Écrivez les dates sur les étiquettes VERTES d'indication du mois comme suit :
Étiquette du mois 1 « Date d'avancée » = 1 mois de la « Date d'activation »
Étiquette du mois 2 « Date d'avancée » = 2 mois de la « Date d'activation »
Étiquette du mois 3 « Date d'avancée » = 3 mois de la « Date d'activation »
Étiquette du mois 4 « Date d'avancée » = 4 mois de la « Date d'activation »
Étiquette du mois 5 « Date d'avancée » = 5 mois de la « Date d'activation »
- Écrivez la date sur l'étiquette ROUGE d'indication comme suit :
Étiquette du mois 6 « Date de remplacement » = 6 mois de la « Date d'activation »

Attention : Le disque anti-odeurs contient une substance pouvant causer une irritation modérée des yeux. Éviter tout contact avec les yeux. Nocif si avalé. Laver soigneusement la peau ou les vêtements à l'eau et au savon après la manipulation. Ne pas réutiliser le sachet vide.

Sortez le disque de son sachet, ouvrez la porte du compartiment à disque et placez le disque face vers le bas sur le plateau, de sorte que le Mois VERT « 1 » soit visible dans la fenêtre, une fois la porte refermée.

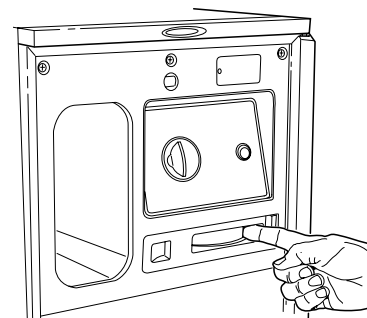


Une fois le premier mois écoulé, tournez le disque de droite à gauche avec le doigt.

Faites de même chaque mois.

Au 6e mois, l'étiquette dans la fenêtre sera ROUGE - indiquant que le disque anti-odeurs doit être remplacé après 30 jours.

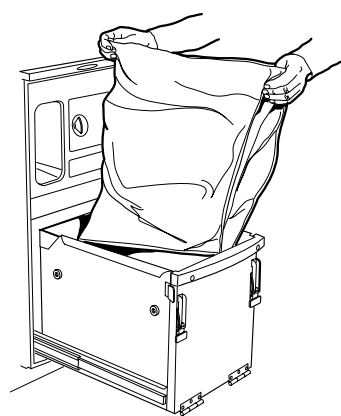
Le disque anti-odeurs modèle 15TCOD est disponible chez votre distributeur Broan.



4. INSTALLATION DU SAC

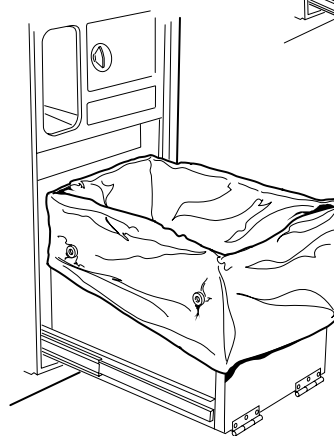
La porte étant ouverte et le bac sorti au maximum, placez un sac dans le bac. Repliez le sac sur le rebord du bac, des quatre côtés.

Pressez le sac dans les coins du bac et lissez le fond.



Lissez et formez le sac soigneusement, ce qui évitera qu'il soit déchiré par le vérin lors du compactage.

Fixez le sac en place sur les deux boutons de chaque côté du bac. Le sac comporte des fentes conçues exprès.



5. PLANCHE À DÉCOUPER (en option)

Si votre compacteur ne doit pas être installé sous un comptoir - vous pouvez commander une planche à découper modèle 15TCBB offerte en option chez votre distributeur Broan.

Cette planche repose sur le dessus du compacteur et comporte des pieds en caoutchouc anti-égratignure et une rigole pour la sauce sur le dessus.

Pour empêcher le gauchissement de la planche de bois, lavez-la avec un détergent doux et huilez-la avec une légère couche d'huile minérale.

6. COMPACTAGE

Le compacteur est maintenant prêt à utiliser.



POUR OBTENIR LES MEILLEURS RÉSULTATS, REMPLISSEZ TOUJOURS LE NOUVEAU SAC COMPLÈTEMENT AVANT D'ACTIONNER LE COMPACTEUR. CECI RÉDUIT LE RISQUE DE DÉPLACEMENT ET DE DÉCHIRURE DU SAC.

1. Refermez complètement le bac en le poussant.
2. Placez l'interrupteur à clé sur « MARCHE » (ON).



Interrupteur à clé

3. Sélectionnez l'un des deux modes de compactage :

Compact Mode

Mode de compactage (Compact Mode) « Normal » (Normal)



Après avoir refermé la porte et appuyé sur le bouton « Commencer », le vérin s'abaisse dans le bac et compacte les déchets. Au bas de sa course, le vérin inverse automatiquement son mouvement, remonte et sort du bac. La durée totale du cycle est de 45 secondes ou moins. Revenu au sommet de sa course, le compacteur s'éteint automatiquement et est prêt à recevoir d'autres déchets.

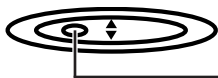
Compact Mode

Mode de compactage (Compact Mode) « Maintenir » (Hold)



Après avoir refermé la porte et appuyé sur le bouton « Commencer », le vérin s'abaisse dans le bac et compacte les déchets. Ce réglage est utile pour comprimer complètement les déchets et permettre une capacité accrue. Au bas de sa course, le vérin s'arrête. Appuyez de nouveau sur le bouton « Commencer » pour faire remonter le vérin hors du bac. Revenu au sommet de sa course, le compacteur s'éteint automatiquement et est prêt à recevoir d'autres déchets.

4. Refermez la porte.
5. Appuyez sur le bouton « Commencer » situé au centre, en haut de l'appareil, pour commencer le compactage. Le compacteur s'éteindra automatiquement une fois le cycle de compactage terminé. L'indicateur « DEL de position du vérin » est VERT lorsque le vérin est en haut et prêt à recevoir d'autres déchets. L'indicateur DEL passe au ROUGE lorsque le vérin s'abaisse ou s'arrête dans toute autre position.



Bouton Commencer

DEL de position du vérin

6. Le cycle de compactage peut être interrompu en tout temps en ouvrant la porte. Une fois le vérin arrêté, il remonte toujours lorsque la porte est refermée.

7. CONSEILS POUR LE COMPACTAGE

- Bien qu'il ne soit pas nécessaire de compacter le contenu du tiroir tant qu'il n'est pas rempli ou presque rempli, il est conseillé, pour obtenir un compactage optimal, de compacter chaque fois qu'une quantité appréciable de déchets est ajoutée.
- Au bas de sa course, le vérin ne s'abaisse pas jusqu'au fond du bac à ordures. Les déchets se trouvant sans le premier tiers du bac seront comprimés lors des compactages suivants.
- Les bouteilles de verre peuvent faire du bruit lors du compactage, ce qui est normal. Elles ne se brisent pas toujours lors du premier cycle. Le bruit de verre cassé peut se produire plusieurs cycles après, selon le type et la quantité de déchets.
- Les bouteilles et les grosses boîtes de conserve se compactent mieux lorsqu'elles sont posées à plat au centre du bac à ordures.
- Placez quelques feuilles de papier journal repliées ou un grand sac d'épicerie en papier sur le dessus de la charge à compacter lorsque :
 - vous compactez de grosses bouteilles ou plusieurs bouteilles ou pots de verre (ou tout objet pouvant éclater). Vous éviterez ainsi que des éclats de verre soient projetés hors du bac, dans le mécanisme.
 - vous compactez des résidus de cuisine non enveloppés. Cela contribuera à maintenir la propreté du vérin.
- Le compactage de charges extrêmement inégales peut faire glisser le bac vers l'avant, ce qui peut forcer la porte à s'ouvrir, interrompant le cycle de compactage. Poussez doucement sur la porte pour la refermer, ce qui fera remonter le vérin. Ouvrez le bac à ordures et remplacez tout objet ayant causé une répartition inégale de la charge. Refermez la porte et recommencez le cycle de compactage en appuyant sur le bouton « Commencer ».
- Certains types de déchets produisent des odeurs exceptionnellement fortes comme la viande et le poisson cru, les pelures de pamplemousse, les articles d'hygiène personnelle et les couches jetables. Il peut être préférable de ne pas mettre de tels déchets dans le compacteur.
- Si le compacteur reste inutilisé pendant une longue période de temps, comme durant les vacances, retirez le sac pour éviter la formation d'odeurs indésirables.



ATTENTION : NE PAS COMPACTER LES BOÎTES D'AÉROSOL NI TOUT AUTRE CONTENANT POUVANT CONTENIR ENCORE DES MATIÈRES TOXIQUES, DES INSECTICIDES OU DES COMBUSTIBLES. DES VAPEURS DANGEREUSES POUR LA SANTÉ PEUVENT SE DÉGAGER OU ENTRAÎNER UN INCENDIE OU UNE EXPLOSION.



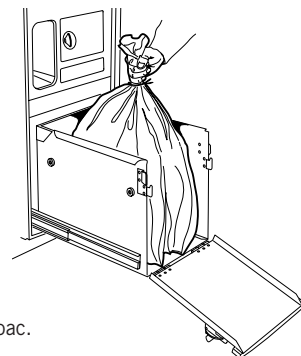
Ne pas mettre de la peinture, des chiffons huileux, ni des contenants d'essence à briquet ou de diluant à peinture dans le compacteur. Ils risquent de s'enflammer par combustion spontanée et de provoquer un incendie et/ou une explosion.



NE JAMAIS POUSSER LES DÉCHETS DANS LE BAC AVEC LES MAINS OU LES PIEDS. Les déchets peuvent contenir du verre brisé, des pièces de métal tranchantes, etc., risquant de vous blesser.

8. RETRAIT DU SAC

1. Ouvrez le bac complètement.
2. Libérez les loquets et abaissez l'avant du bac.
3. Détachez le sac des boutons du bac et refermez le haut du sac en le tordant. Fermez le sac avec l'attache fournie à cet effet.
4. Soulevez et glissez le sac hors du bac.



À L'EXCEPTION DES DIRECTIVES DE NETTOYAGE DE LA SECTION SUIVANTE, TOUT ENTRETIEN DOIT ÊTRE CONFÉ À UN *Page 18*
REPRÉSENTANT AGRÉÉ POUR LE SERVICE.

9. NETTOYAGE

Votre compacteur est conçu pour offrir un accès facile lorsqu'il est nécessaire de le nettoyer.

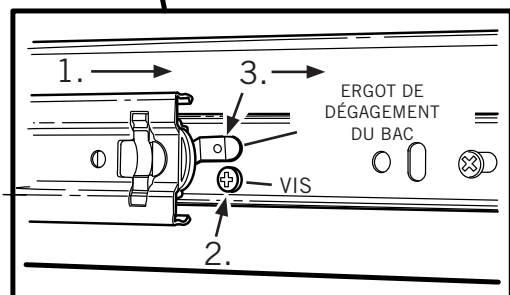
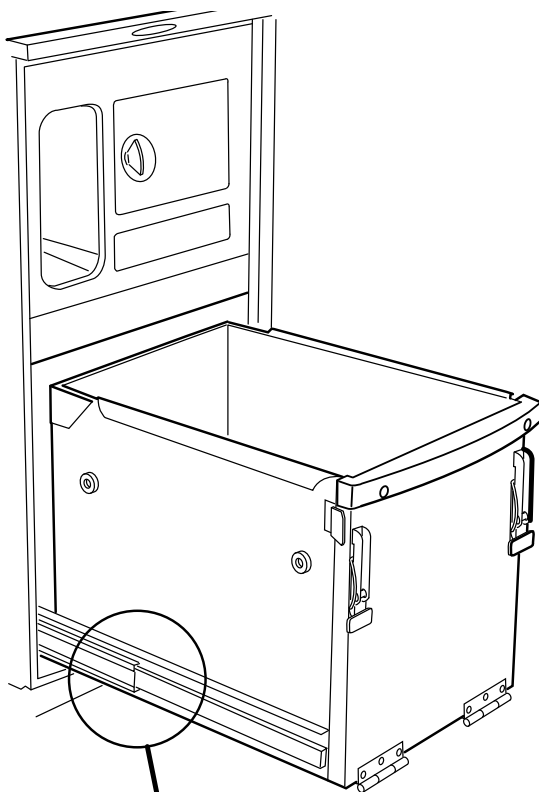
L'intérieur et l'extérieur du boîtier ont un fini en émail cuit durable.

N'utilisez pas de nettoyeurs corrosifs ou abrasifs ni de tampons à récurer, au risque de rayer le fini du compacteur. Utilisez une solution de détergent doux sur ces surfaces.



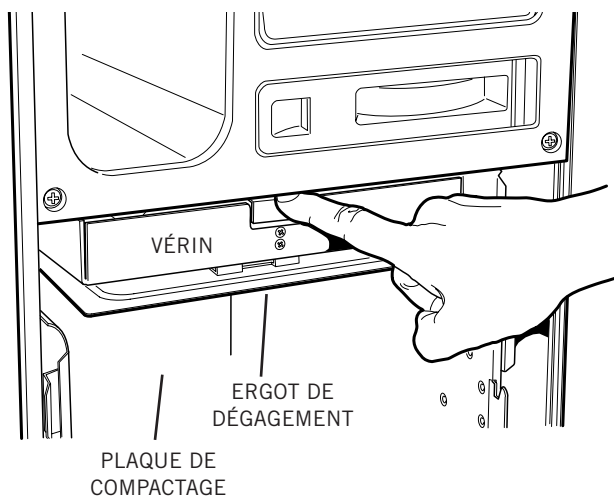
ATTENTION : Des éclats de verre et d'autres morceaux coupants peuvent se trouver autour ou sur les surfaces à nettoyer. Enlevez soigneusement ces objets avant d'essuyer toute surface.

RETIREZ LE BAC À ORDURES ET NETTOYEZ L'INTÉRIEUR



1. Sortez complètement le bac.
2. Enlevez une (1) **vis** de chaque côté des glissières du bac.
3. Appuyez sur les ergots de dégagement du bac à gauche et à droite tout en tirant le bac hors de l'appareil.
4. Aspirez et nettoyez la base du boîtier, les glissières et le bac, particulièrement dans les coins.
5. Lavez l'intérieur du boîtier avec une solution de détergent doux.
6. Une fois le nettoyage du boîtier terminé, installez le bac en inversant les étapes 2 et 3.

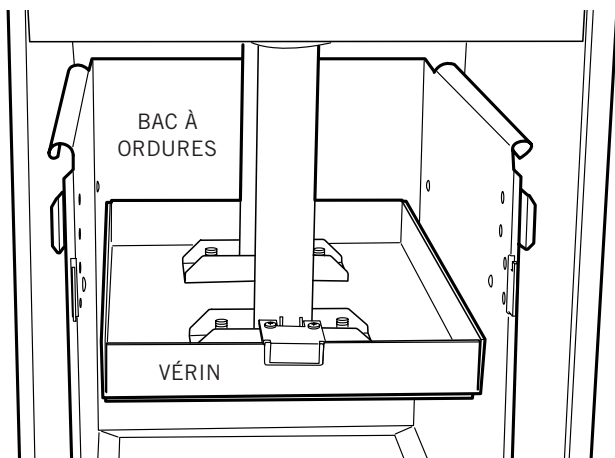
NETTOYAGE DE LA PLAQUE DE COMPACTAGE



1. Le **vérin** comporte une **plaque de compactage** amovible pour faciliter le nettoyage.
2. Vérifiez que le bac à ordures est vide et sans sac.
3. Poussez le bac dans le boîtier. Ouvrez les loquets et abaissez l'avant du bac.
4. Appuyez sur l'**ergot de dégagement** à l'avant du vérin pour libérer la plaque. La plaque s'enlève en la tirant vers le bas et en l'éloignant du vérin.
5. Une fois enlevée, la plaque de compactage peut être lavée avec une solution de détergent doux ou mise au lave-vaisselle.
6. Reposez la plaque de compactage en insérant l'ergot (à l'arrière de la plaque) dans la fente (à l'arrière du vérin). Relevez l'avant de la plaque jusqu'à ce qu'elle s'enclenche en place.

9. NETTOYAGE (suite)

NETTOYAGE DU VÉRIN



1. Vérifiez que le bac à ordures est vide et poussé dans le boîtier.
2. Placez l'interrupteur à clé sur « MARCHÉ » (ON).



Interrupteur à clé

3. Sélectionnez le mode de compactage « Maintenir » (Hold).

Compact Mode



**Mode de compactage (Compact Mode)
« Maintenir » (Hold)**

4. Refermez la porte.
5. Appuyez sur le bouton « Commencer ».



Bouton Commencer

Le vérin s'abaisse dans le bac et s'arrête au bas de sa course.



ATTENTION : Des éclats de verre et d'autres morceaux coupants peuvent se trouver autour ou sur les surfaces à nettoyer. Enlevez soigneusement ces objets avant d'essuyer toute surface.

6. Ouvrez la porte. Ouvrez les loquets et abaissez l'avant du bac. Aspirez le dessus du vérin et nettoyez-le avec une solution de détergent doux.
7. Une fois le nettoyage terminé : Relevez et enclenchez l'avant du bac, refermez la porte et appuyez sur le bouton « Commencer ». Le vérin remonte en haut de sa course et s'arrête automatiquement. Ouvrez la porte, faites coulisser le bac hors du boîtier, installez le sac et sélectionnez le mode de compactage. Le compacteur est maintenant prêt à recevoir des déchets.

10. DÉPANNAGE

Avant d'appeler le service à la clientèle, vérifiez ces quelques conseils qui pourraient vous épargner un appel :

1. Le cordon électrique est-il bien branché?
2. Un fusible ou un disjoncteur s'est-il déclenché?
3. La porte est-elle bien fermée?
4. L'interrupteur à clé est-il sur « MARCHÉ » (ON)?
5. Avez-vous appuyé sur le bouton « Commencer » assez longtemps pour amorcer le cycle de compactage?
6. Si le bac à ordures est difficile à fermer, vérifiez si des déchets ne sont pas tombés derrière, l'empêchant de se fermer complètement.
7. Le moteur comporte un coupe-circuit thermique. Si vous avez effectué plusieurs compactages de suite, ce protecteur peut avoir coupé le circuit. Attendez quelques minutes, le temps que le coupe-circuit se referme automatiquement.
8. Le bac à ordures doit être au moins à moitié plein avant que l'effet du compactage soit visible, puisque le vérin ne s'abaisse pas jusqu'au fond du bac. Les déchets se trouvant sans le premier tiers du bac seront comprimés lors des compactages suivants.
9. En de rares occasions, une grosse boîte de conserve placée contre le bord du bac peut s'être repliée sur le rebord du vérin, nuisant à son bon fonctionnement. Pour corriger le problème, ouvrez simplement la porte, ouvrez les loquets de l'avant du bac et enlevez la boîte de conserve. FAITES ATTENTION EN MANIPULANT DES OBJETS COUPANTS!
10. Dans l'éventualité peu probable que l'actionneur de sécurité (à l'intérieur de la porte) se brise, le compacteur ne fonctionnera pas. N'ESSAYEZ PAS DE FAIRE FONCTIONNER LE COMPACTEUR D'UNE AUTRE MANIÈRE. Commandez un nouvel actionneur auprès de votre distributeur Broan.
11. Pour toute demande de service, indiquez le numéro de modèle de l'appareil, son numéro de série et la nature de la déféctuosité du produit ou de la pièce. Le numéro de modèle, le numéro de série et tous les autres renseignements de l'appareil se trouvent sur la plaque signalétique située sur la paroi intérieure du boîtier. Pour demander un service sous garantie, vous devez présenter la preuve d'achat originale. Pour obtenir le nom du centre de service le plus près de chez vous, contactez le détaillant où vous avez acheté votre compacteur Broan-NuTone LLC.

11. GARANTIE

GARANTIE LIMITÉE D'UN AN DE BROAN-NUTONE

Broan-NuTone garantit à l'acheteur consommateur original de ses produits qu'ils sont exempts de vice de matériaux ou de fabrication pour une période d'un an à compter de la date d'achat original. IL N'Y A PAS D'AUTRES GARANTIES, EXPRIMÉES OU IMPLICITES, INCLUANT MAIS NON LIMITÉES AUX GARANTIES IMPLICITES DE QUALITÉ MARCHANDE ET DE CONVENANCE DANS UN BUT PARTICULIER.

Durant cette période d'un an, Broan-NuTone, à sa discrétion, réparera ou remplacera gratuitement tout produit ou pièce qui s'avèrera défectueux et ayant été utilisé normalement et d'une manière non abusive.

CETTE GARANTIE NE COUVRE PAS LES STARTERS DE TUBES FLUORESCENTS NI LES TUBES FLUORESCENTS. Cette garantie ne couvre pas (a) l'entretien et le service normal ou (b) tout produit ou pièce endommagé à la suite d'un mauvais usage, d'une négligence, d'un accident, d'un entretien inadéquat ou d'une réparation (autre que par Broan-NuTone), d'une mauvaise installation ou d'une installation non conforme au mode d'installation recommandé.

La durée de toute garantie implicite est limitée à une période d'un an tel que spécifié pour la garantie exprimée. Certains États ou provinces ne permettent pas de limitation de la durée d'une garantie implicite. Cette condition ne s'applique donc peut-être pas dans votre cas.

L'ENGAGEMENT DE BROAN-NUTONE À RÉPARER OU À REMPLACER, AU CHOIX DE BROAN-NUTONE, SERA LA SEULE OBLIGATION EXCLUSIVE SOUS CETTE GARANTIE. BROAN-NUTONE NE SE TIENDRA PAS RESPONSABLE DES DOMMAGES DIRECTS, INDIRECTS OU SPÉCIAUX AYANT UN LIEN DIRECT OU INDIRECT AVEC L'UTILISATION OU LA PERFORMANCE DE SES PRODUITS. Certains États ou provinces ne permettent pas l'exclusion ou la limitation de dommages directs ou indirects. Cette condition ne s'applique donc peut-être pas dans votre cas. Cette garantie vous donne des droits spécifiques et il se peut que vous ayez d'autres droits qui varient d'une province à l'autre ou d'un État à l'autre. Cette garantie annule toutes les garanties précédentes.

Pour le service sous garantie, vous devez (a) aviser Broan-NuTone à l'adresse ou numéro de téléphone mentionnée ci-dessous, (b) donner le numéro de modèle et l'identification de la pièce et (c) décrire la nature de tout défaut dans le produit ou la pièce. Au moment de la demande de service sous garantie, vous devez présenter une preuve de la date d'achat original du produit en question.

Broan-NuTone LLC Hartford, Wisconsin
www.broan.com 800-558-1711

Broan-NuTone Canada Mississauga, Ontario
www.broan.ca 877-896-1119

Compactador de basura

Guía de instalación, uso y cuidado

LEA Y CONSERVE ESTAS INSTRUCCIONES

MEDIDAS DE PROTECCIÓN IMPORTANTES



LEA TODAS LAS INSTRUCCIONES DETENIDAMENTE ANTES DE PONER A FUNCIONAR EL COMPACTADOR

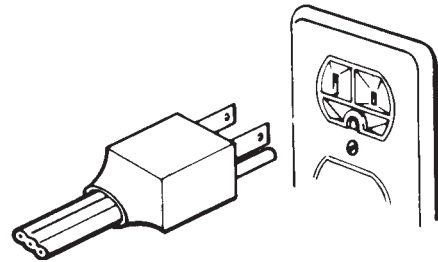
Al usar un aparato electrodoméstico, deben siempre tomarse precauciones básicas, entre ellas:

1. Es necesario mantener una supervisión constante cuando hay niños cerca de un aparato que esté en funcionamiento. No permita que el aparato se use como juguete, ni lo deje jamás desatendido mientras esté funcionando. Apague el compactador y sáquele la llave para impedir su funcionamiento. Guarde la llave del compactador en un lugar que no sea de fácil acceso, a fin de evitar su uso o manipulación por parte de niños o de otras personas.
2. No empuje la basura del cajón del compactador con las manos o los pies. La basura podría contener vidrios rotos, piezas metálicas cortantes, etc., que podrían causarle lesiones.
3. No compacte materiales volátiles. Las pinturas, trapos aceitosos, latas de líquido para encendedores y latas de diluyentes de pintura podrían encenderse de manera espontánea y causar una explosión o un incendio (o ambos).
4. No compacte latas de aerosoles ni de ningún otro recipiente que tenga restos de productos químicos tóxicos, insecticidas o combustibles, porque se podrían emitir vapores peligrosos para la salud.
5. No compacte cigarrillos o puros prendidos ni otros artículos calientes o quemándose.
6. No ponga un exceso de carga en el compactador.
7. Tenga cuidado al sacar y transportar la bolsa. Los vidrios rotos u otros objetos cortantes podrían perforar la bolsa. No sobrecargue la bolsa de basura con materiales pesados, como el vidrio.
8. No utilice esta unidad con un cable de extensión.
9. Utilice únicamente los accesorios aprobados por Broan.
10. No toque las piezas móviles.
11. No desarme este aparato. Si el aparato se llegara a armar de forma incorrecta, podría provocar descargas eléctricas al ponerse en funcionamiento.
12. No haga funcionar este aparato con un cordón de alimentación, enchufe o motor dañados, o después de que se hayan dañado de cualquier manera. Toda inspección o reparación del compactador deben estar a cargo de un técnico de servicio autorizado.
13. Este compactador es SÓLO PARA USO DOMÉSTICO. Use este aparato únicamente de la manera descrita en este manual.
14. Desenchufe el aparato del tomacorriente antes de efectuar el servicio.

INSTRUCCIONES PARA LA PUESTA A TIERRA



IMPORTANTE: PARA REDUCIR EL RIESGO DE DESCARGAS ELÉCTRICAS, LEA ESTE MATERIAL INFORMATIVO DETENIDAMENTE.



PARA FINES DE SEGURIDAD PERSONAL, ESTE APARATO DEBE ESTAR ADECUADAMENTE CONECTADO A TIERRA. El cordón de alimentación de este aparato tiene un enchufe de tres patas (tierra) que encaja en un receptáculo estándar de tres patas (conectado a tierra), como se ilustra arriba.

Si hay un tomacorriente de dos patas en el lugar donde se va a instalar el compactador, usted debe encargarse de que se lo cambien por un receptáculo de pared de tres patas que esté adecuadamente conectado a tierra. No debe usarse un adaptador con este producto.

BAJO NINGUNA CIRCUNSTANCIA, NUNCA CORTE NI quite LA TERCERA PATA (TIERRA) DEL ENCHUFE DEL CORDÓN DE ALIMENTACIÓN.

El conductor VERDE (o VERDE y AMARILLO) del cordón es el cable a tierra. No conecte nunca el cable VERDE (o VERDE y AMARILLO) a una terminal viva.

Se requiere un circuito de alimentación de CA conectado a tierra de 120 V y 60 Hz con fusible de 15 A (se recomienda un fusible de retardo o un interruptor automático de circuitos). Se recomienda tener un CIRCUITO SEPARADO que alimente únicamente a este aparato.

NO HAGA FUNCIONAR ESTE APARATO CON UN CABLE DE EXTENSIÓN.

ÍNDICE

SECCIÓN	PÁGINA
INSTALACIÓN	
Desempaque del compactador de basura ...	22
Instalación empotrada	22
Nivelación del compactador	23
Cambio de orientación de la puerta (opcional)	23, 24
Instrucciones de instalación de puertas azulejos y madera	24
PREPARACIÓN	
1. Modo de funcionamiento del compactador	25
2. Uso del interruptor del seguro de llave ...	26
3. Instalar el disco de control de olores	26
4. Instale la bolsa	26
5. Tabla para cortar (opcional)	26
FUNCIONAMIENTO	
6. Compactación	27
7. Sugerencias para la compactación	27
8. Retiro de la bolsa	27
MANTENIMIENTO	
9. Limpieza	28, 29
10. Resolución de problemas	29
11. Garantía	30

DESEMPAQUE DEL COMPACTADOR DE BASURA

El compactador de basura se envía de la fábrica con material de empaque en el cubo de basura y en el pistón en la posición hacia abajo. Regrese el pistón a la posición hacia arriba conectando la unidad, girando el interruptor del seguro de la llave a la posición de "ENCENDIDO" y cerrando la puerta. Una vez que la puerta esté cerrada, la unidad funcionará y el pistón se moverá a la posición hacia "ARRIBA". Abra el cubo de basura y retire el material de empaque.

El compactador Broan Elite está diseñado para ocupar un mínimo espacio sin pérdida de capacidad, ya sea como instalación independiente o empotrada.

INSTALACIÓN INDEPENDIENTE

El compactador se envía configurado únicamente para instalación empotrada. La configuración de este aparato puede convertirse de empotrada a independiente mediante el juego accesorio de zócalo modelo 15TCTK (que se vende por separado). Si se requiere un cordón más largo para una instalación independiente, quite la pinza para el cordón y la atadura de cables de la parte posterior de la unidad.

PRECAUCIÓN: De no usar el juego accesorio de zócalo modelo 15TCTK en una instalación independiente puede ocasionar que el compactador esté inestable durante su funcionamiento.

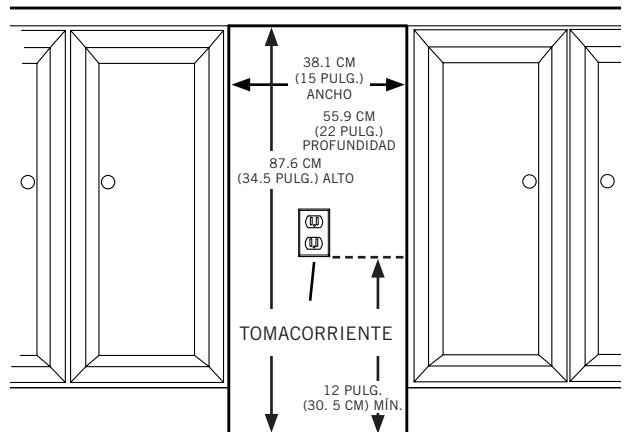
INSTALACIÓN EMPOTRADA

FLEJES DE MONTAJE



Se suministran dos flejes para montaje debajo de la cubierta. Utilícelos para afianzar el compactador a la cara inferior de una cubierta. Sujete el extremo ranurado de los flejes al compactador mediante los orificios de la parte superior del gabinete del compactador, tal como se muestra.

NOTA: Cuando instale el compactador sobre superficies sólidas de gabinetes, doble las correas de montaje de tal manera que se puedan fijar a los gabinetes adyacentes.



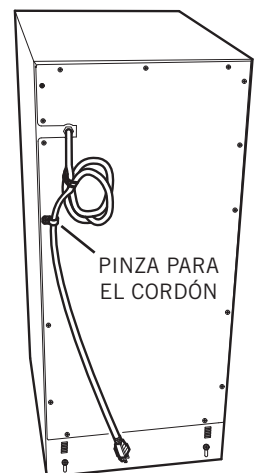
ABERTURA DEBAJO DE LA CUBIERTA

El compactador requiere una abertura debajo de la cubierta de las siguientes dimensiones: 38.1 cm (15 pulg.) de ancho, 87.6 cm (34.5 pulg.) de alto y 55.9 cm (22 pulg.) de espesor.

En la abertura debe haber un tomacorriente que cumpla con todos los requisitos y códigos eléctricos aplicables. Si desea información específica, vea el apartado "Instrucciones para la puesta a tierra".

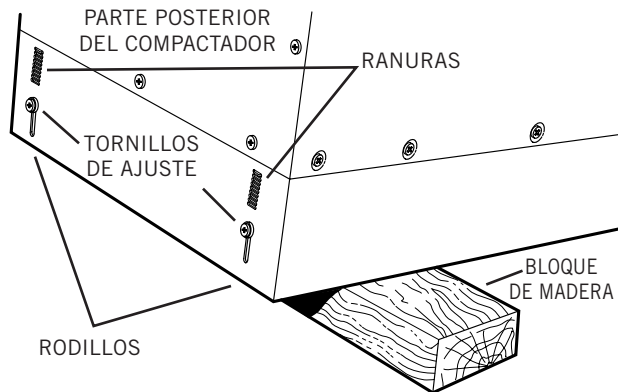
PINZA PARA EL CORDÓN

El compactador está equipado con un cordón de alimentación de 1.83 metros (6 pies) de largo. Utilice la pinza para el cordón para evitar que el exceso de cordón quede atascado detrás del gabinete durante las labores de instalación o servicio.



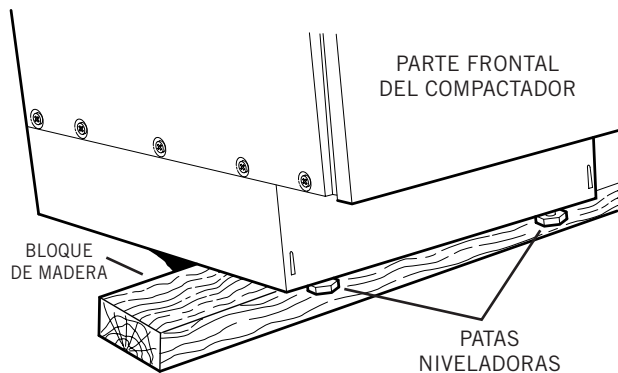
NIVELACIÓN DEL COMPACTADOR

El compactador tiene cuatro niveladores ajustables: (2) rodillos en la parte de atrás y (2) patas en la parte de adelante; esto permite ajustarlo para pisos desnivelados y también para “recortar” la unidad a fin de que quepa en una instalación debajo de la cubierta.



Para nivelar la parte posterior del compactador:

Incline la **parte posterior del compactador** hacia arriba y sobre un **bloque de madera**. Afloje los **tornillos de ajuste** sólo lo suficiente para mover los **rodillos** a una **ranura** superior o inferior. Vuelva a apretar los tornillos de ajuste y saque el bloque de madera.



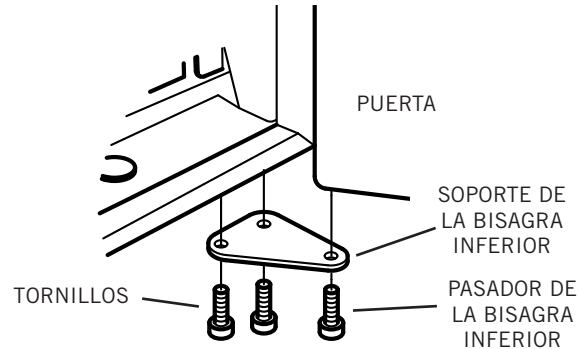
Para nivelar la parte frontal del compactador:

Incline la **parte frontal del compactador** hacia arriba y sobre un **bloque de madera**. Gire las **patas niveladoras** hacia adentro o hacia afuera a la posición deseada. Saque el bloque de madera.

CAMBIO DE ORIENTACIÓN DE LA PUERTA (opcional)

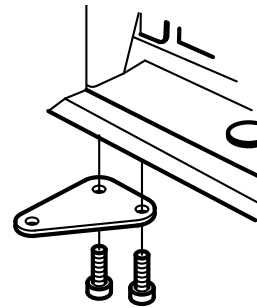
INSTRUCCIONES PARA EL CAMBIO DE ORIENTACIÓN DE TODAS LAS PUERTAS (EXCEPTO LAS DE MADERA Y DE AZULEJOS).

La puerta del compactador se envía de fábrica para que las bisagras queden del lado derecho (al mirar de frente la unidad).

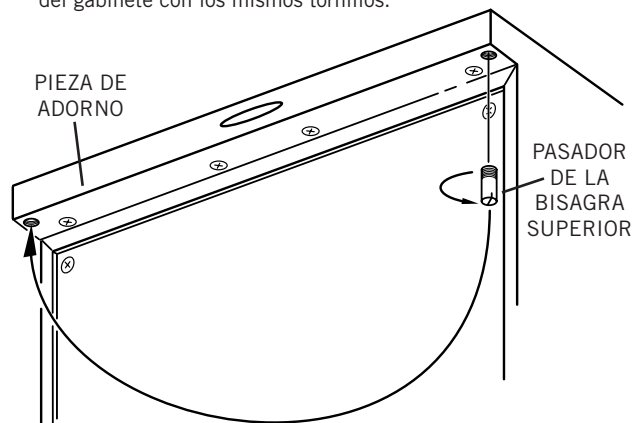


Para cambiar la posición de las bisagras hacia la izquierda:

1. Con la puerta cerrada, saque el **pasador de la bisagra inferior** con una llave Allen de 3/16 pulg.
2. Saque cuidadosamente la **puerta** abriendo y deslizando la parte inferior de la puerta hacia afuera del gabinete.
3. Con una llave Allen de 3/16 pulg., saque el **soporte de la bisagra inferior** del gabinete (2 **tornillos**).

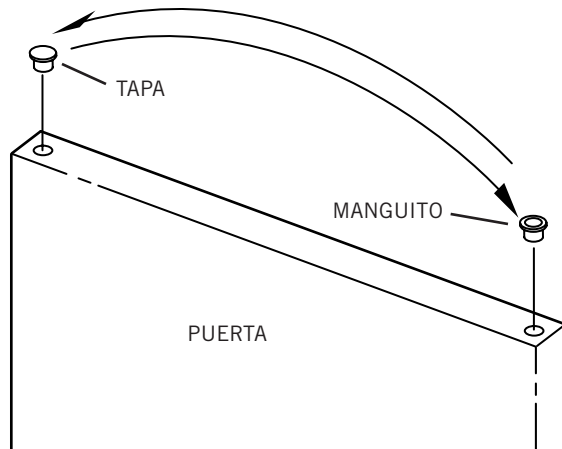


4. **Voltee el soporte** e instálelo en el lado opuesto del gabinete con los mismos tornillos.



5. Con un destornillador, saque el **pasador de la bisagra superior** de la **pieza de adorno** y reinstale el pasador en el lado opuesto.

Instalación



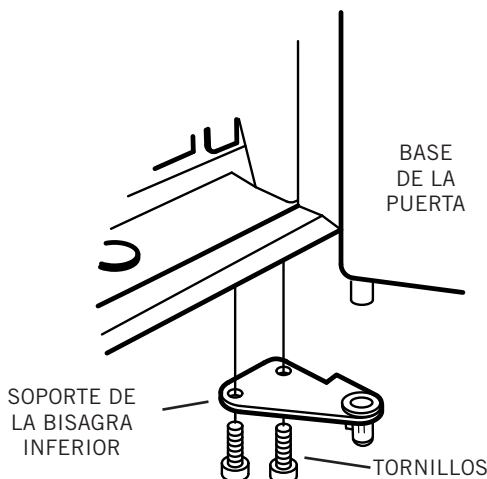
6. Teniendo cuidado de no rayar la **puerta**, saque los **manguitos** y **tapas** de plástico de la parte superior e inferior de la puerta con un destornillador plano pequeño. Instale los manguitos en el lado del panel de la puerta que se va a bisagrar e instale la tapa en el lado opuesto.
7. Instale la puerta en el gabinete insertando el pasador de la bisagra superior en el manguito para puerta superior al mismo tiempo que pone la puerta en su sitio. Inserte el pasador de la bisagra inferior del paso 1 y apriete bien.

INSTRUCCIONES DE INSTALACIÓN DE PUERTAS DE AZULEJOS Y MADERA

Las siguientes instrucciones se aplican para compactadores de basura que tengan un juego de puerta de azulejos o de madera.

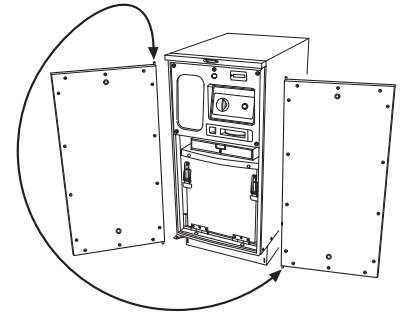
Se recomienda sacar la base de la puerta del compactador para instalar el panel especial de azulejos o madera.

Para sacar la base de la puerta:



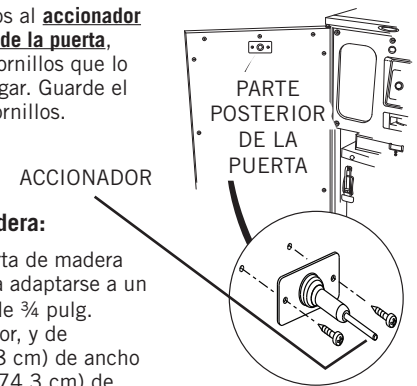
1. Con una llave Allen de 3/16 pulg., saque el **soporte de la bisagra inferior** del gabinete (2 **tornillos**).
2. Saque la **base de la puerta** del gabinete.

3. Piense dónde se va a instalar el compactador y determine dónde deben estar las bisagras de la puerta (es decir, a la izquierda o a la derecha del gabinete). Ya que los pasadores de bisagra están permanentemente acoplados a la base



de la puerta, basta con girar ésta hasta que los pasadores de bisagra estén en el lado deseado. Quizás sea conveniente marcar el interior de la base de la puerta para indicar la parte superior.

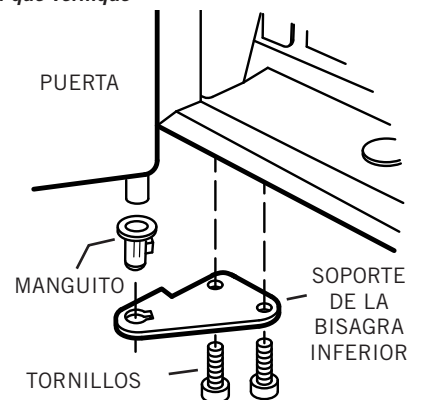
4. Para prevenir daños al **accionador** en la **parte trasera de la puerta**, retire los dos (2) tornillos que lo sostiene en su lugar. Guarde el accionador y los tornillos.



Para puertas de madera:

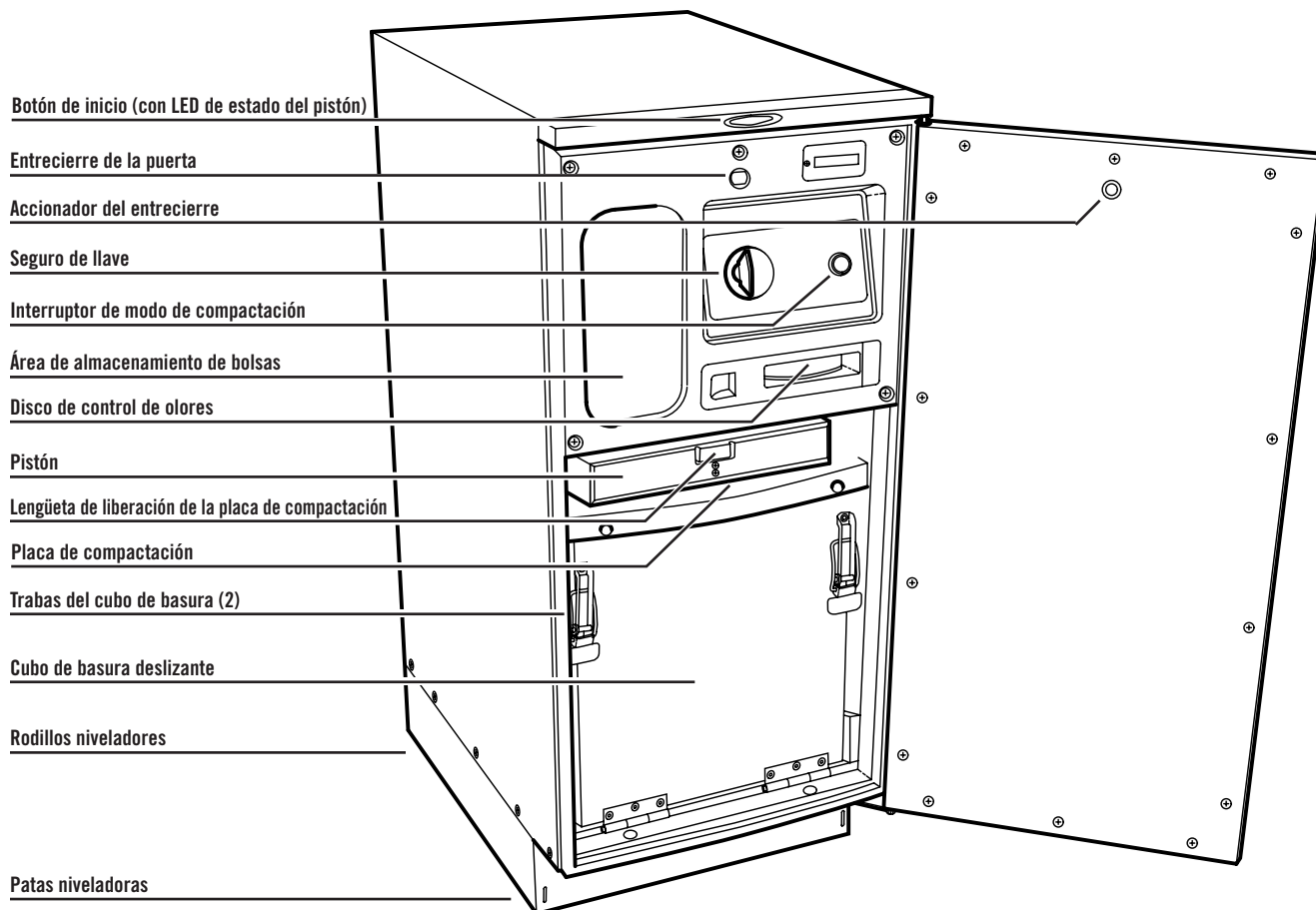
5. La base de la puerta de madera está diseñada para adaptarse a un panel de madera de 3/4 pulg. (19 mm) de espesor, y de 14 7/8 pulg. (37.8 cm) de ancho por 29 1/4 pulg. (74.3 cm) de alto. **Se recomienda que verifique la altura de la base de la puerta antes de cortar el panel de madera al 27 tamaño.**

Centre la base de la puerta sobre el panel de madera y sujete utilizando los herrajes incluidos en la bolsa de piezas del compactador.



Para instalar azulejos en la base de la puerta:

5. La base de la puerta de azulejos se entrega pre-armada con un tablero de soporte de cemento. Coloque los azulejos y lechada en la base de la puerta mediante los métodos y materiales tradicionales.
6. Compre una manija de puerta que haga juego con las piezas de su gabinete e instálela siguiendo las instrucciones correspondientes.
7. Si la puerta va a tener las bisagras al lado izquierdo del compactador, será necesario invertir el **soporte de la bisagra inferior** que se quitó en el paso 1. Retire el **manguito** de plástico del soporte de la bisagra e instálelo en el lado opuesto del soporte. Instale la **puerta** en el gabinete del compactador siguiendo en sentido contrario las instrucciones del paso 1.
8. Instale de nuevo el **accionador** que quitó en el Paso 4. Asegúrese de que la puerta se abra y cierre sin problemas, y que el accionador entre y salga del interruptor de entrecierre de seguridad en el compactador.

**Preparación**

1. MODO DE FUNCIONAMIENTO DEL COMPACTADOR

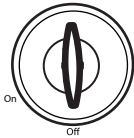
El compactador Broan Elite comprime la basura doméstica hasta a 1/6 de su volumen original. Compacta basura doméstica normal, como cartones de leche, botellas de vidrio y de plástico, recipientes y jarras, latas de estaño, envolturas, cajas, desechos de alimentos, etc.

Al encender el compactador, un pistón eléctrico desciende en el cubo de basura, comprime la basura, regresa a la posición de arriba y se apaga automáticamente.

NOTA: El pistón baja hasta 2/3 de la profundidad del cubo de basura. Debido a esto, el cubo de basura tiene que estar al menos 1/3 lleno antes de que se note cualquier compresión.

2. USO DEL INTERRUPTOR DEL SEGURO DE LLAVE

El compactador tiene un interruptor de seguro de llave que sirve como medida de seguridad para su protección.



El compactador no funciona cuando el interruptor del seguro de llave está en la posición de "APAGADO" (OFF). Bloquee su compactador y saque la llave para impedir que la unidad sea operada por niños o prevenir que otros la manipulen de manera indebida.



Cuando el interruptor del seguro de llave está en la posición de "ENCENDIDO" (ON), el compactador está listo para funcionar. No se puede sacar la llave en la posición de "ENCENDIDO" (ON).

NOTA: La unidad dejará de funcionar si se abre la puerta durante su funcionamiento. Si el compactador se para durante su ciclo, siempre se moverá hacia ARRIBA al cerrarse la puerta.

3. INSTALE EL DISCO DE CONTROL DE OLORES

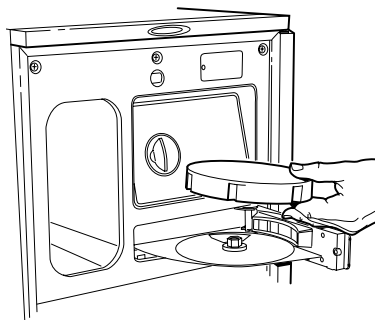
El compactador está equipado con un disco de control de olores que dura hasta 6 meses, cuando se instala en el compactador de basura. El disco de control de olores viene empacado en una bolsa de lámina metálica y se activa una vez que se abre la bolsa.

Escriba las fechas en las etiquetas del disco de control de olores de esta manera:

- Cuando se abra la bolsa, escriba la "Fecha de activación" en el espacio incluido en la parte superior del disco.
- Escriba las fechas en las etiquetas VERDES indicadoras de meses de esta manera:
Etiqueta de "Fecha de avance" del mes 1 = A 1 mes de la "Fecha de activación"
Etiqueta de "Fecha de avance" del mes 2 = A 2 meses de la "Fecha de activación"
Etiqueta de "Fecha de avance" del mes 3 = A 3 meses de la "Fecha de activación"
Etiqueta de "Fecha de avance" del mes 4 = A 4 meses de la "Fecha de activación"
Etiqueta de "Fecha de avance" del mes 5 = A 5 meses de la "Fecha de activación"
- Escriba las fechas en la etiqueta ROJA indicadora de meses de esta manera: Etiqueta de "Fecha de reemplazo" del mes 6 = A 6 meses de la "Fecha de activación"

Precaución: El disco de control de olores contiene material que puede provocar una irritación moderada en los ojos. Evite el contacto con los ojos. Nocivo si se ingiere. Lave la piel o la ropa meticulosamente con agua y con jabón después de manipular el producto. No reutilice la bolsa vacía de lámina metálica.

Saque el disco de la bolsa de lámina metálica, abra la puerta del disco de control de olores y ponga el disco de cara hacia abajo en la bandeja, de manera que el mes "1" VERDE esté visible cuando se cierre la puerta del disco de control de olores.

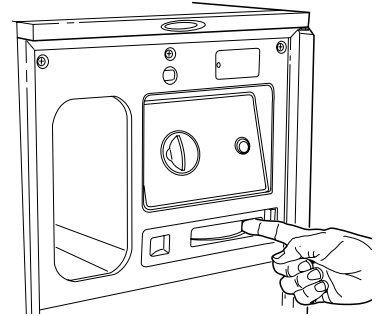


Al cabo de 1 mes, gire el disco de la derecha a la izquierda con el dedo.

Repita este procedimiento cada mes.

En el sexto mes, la etiqueta de la ventana estará ROJA, lo cual indica que es necesario reemplazar el disco de control de olores después de que transcurran 30 días.

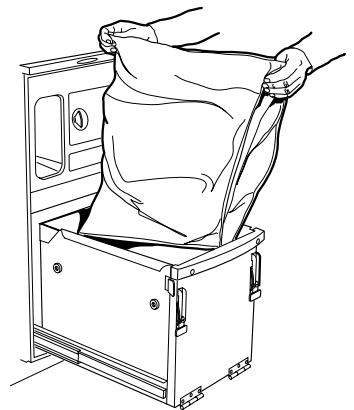
El disco de control de olores, modelo 15TCOD, puede conseguirse a través de su distribuidor de productos Broan.



4. INSTALE LA BOLSA

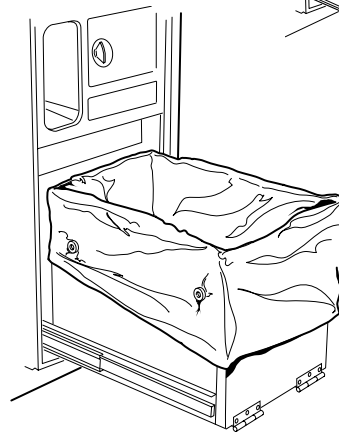
Con la puerta abierta y el cubo de basura en la posición más hacia afuera, coloque una bolsa en el cubo. Doble la bolsa sobre el borde superior del cubo, en todos los lados.

Presione la bolsa dentro de las esquinas del cubo y alise el fondo.



Alise y dele forma a la bolsa con cuidado; eso evitará que el pistón rompa la bolsa durante la compactación.

Asegure la bolsa en su sitio con los 2 botones que están a cada lado del cubo. La bolsa viene con ranuras ya hechas para este propósito.



5. TABLA PARA CORTAR (opcional)

Si su compactador no se instalará debajo de una superficie de cubierta, puede ordenar una tabla de cortar opcional, Modelo 15TCBB a su Distribuidor Broan.

La tabla para cortar se apoya sobre la parte superior del compactador y está diseñada con patas de caucho protectoras y una ranura para salsa en la parte superior.

Para evitar que la tabla para cortar se deforme, lávela con un detergente suave y aplíquela una capa delgada de aceite mineral.

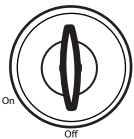
6. COMPACTACIÓN

El compactador está ahora listo para usar.



PARA OBTENER MEJORES RESULTADOS, SIEMPRE LLENE TOTALMENTE CADA BOLSA NUEVA ANTES DE HACER FUNCIONAR EL COMPACTADOR. SI LO HACE ASÍ, REDUCIRÁ AL MÍNIMO LA PROBABILIDAD DE QUE LA BOLSA SE LEVANTE Y SE ROMPA.

1. Deslice y cierre completamente el cubo de basura.
2. Gire el interruptor del seguro de llave a la posición de "ENCENDIDO" (OFF).



Interruptor del seguro de llave

3. Seleccione 1 de los 2 modos de compactación:

Compact Mode

Modo de compactación (Compact Mode) normal (Normal)



Una vez cerrada la puerta y presionado el botón de "Inicio", el pistón baja hacia el cubo de basura y compacta la basura. Al llegar al final de la carrera, el pistón invierte la marcha automáticamente y sube hasta salirse del cubo de basura. El ciclo total dura 45 segundos o menos. Al llegar arriba, el compactador se apaga automáticamente y está listo para recibir más basura.

Compact Mode

Modo de compactación (Compact Mode) de espera (Hold)



Una vez cerrada la puerta y presionado el botón de "Inicio", el pistón baja hacia el cubo de basura y compacta la basura. Este ajuste ayuda a comprimir la basura totalmente, para permitir mayor capacidad. Al llegar al fondo de la carrera, el pistón se apaga. Presione nuevamente el botón de "Inicio" para invertir la marcha del pistón de modo que suba y salga del cubo de basura. Al llegar arriba, el compactador se apaga automáticamente y está listo para recibir más basura.

4. Cierre la puerta.
5. Presione el botón de "Inicio" en la parte superior central de la unidad para comenzar la compactación. El compactador se apagará automáticamente al finalizar el ciclo de compactación. El "indicador LED de estado del pistón" es de color VERDE cuando el pistón está arriba y listo para recibir basura. El indicador LED cambia a color ROJO cuando el pistón se está moviendo o se para en cualquier otra posición.



Botón de inicio

LED de estado del pistón

6. El ciclo de compactación puede interrumpirse en cualquier momento abriendo la puerta. Una vez que se detenga, el pistón se moverá siempre hacia arriba al cerrar la puerta.

7. SUGERENCIAS PARA LA COMPACTACIÓN

- Aunque no es necesario hacer funcionar el compactador antes de que el cajón esté lleno o casi lleno, para lograr una máxima compactación se sugiere arrancar el compactador cada vez que se agregue una cantidad considerable de basura.
- En la carrera completa, el pistón no baja hasta el fondo del cubo de basura. La basura que esté en el último tercio del cubo se aplastará durante las compactaciones subsiguientes.
- Las botellas de vidrio hacen bastante ruido al romperse durante la compactación; esto es normal. Las botellas no siempre se rompen durante el primer ciclo. La rotura del vidrio y el ruido correspondiente podrían ocurrir unos cuantos ciclos después, según el tipo y el volumen de la basura.
- Las botellas y las latas grandes se compactan mejor cuando se colocan acostadas cerca del centro del cubo de basura.
- Ponga un par de hojas dobladas de papel periódico o una bolsa de papel (de supermercado) encima de la carga en los siguientes casos:
 - Cuando vaya a compactar botellas o frascos de gran tamaño o varios frascos o botellas (o cualquier artículo que podría hacerse añicos). Esto evitará que los fragmentos y partículas de vidrio salgan despedidos desde el cubo hacia el mecanismo del compactador.
 - Cuando vaya a compactar desechos de alimentos que no estén envueltos. Esto ayudará a mantener limpio al pistón eléctrico.
- La compactación de cargas sumamente diferentes podría causar que el cubo de basura se mueva hacia delante, y eso podría ocasionar que la puerta se abra, interrumpiendo el ciclo de compactación. Con cuidado, presione y mantenga cerrada la puerta para activar el pistón hasta que regrese a la posición de arriba. Abra el cubo de basura y cambie la posición de cualquier objeto que pudiera estar ocasionando las diferencias de la carga. Cierre la puerta y presione el botón de inicio ("Start") para volver a activar el ciclo de compactación.
- Ciertos tipos de basura crean olores sumamente fuertes, por ejemplo: carne y pescado crudos, cáscara de toronja, artículos de higiene personal y pañales desechables. Se aconseja no poner dichos artículos en el compactador.
- Si el compactador no va a utilizarse durante un tiempo largo, por ejemplo, durante unas vacaciones, saque la bolsa para evitar los olores indeseables.



PRECAUCIÓN: NO SE DEBEN COMPACTAR LATAS DE AEROSOLLES NI DE NINGÚN OTRO RECIPIENTE QUE CONTenga O QUE HAYA CONTENIDO PRODUCTOS QUÍMICOS TÓXICOS, INSECTICIDAS O COMBUSTIBLES. LA COMPACTACIÓN DE DICHSO ARTÍCULOS PODRÍA PROVOCAR LA EMANACIÓN DE VAPORES PELIGROSOS PARA LA SALUD O PODRÍA PROVOCAR UN INCENDIO O UNA EXPLOSIÓN.



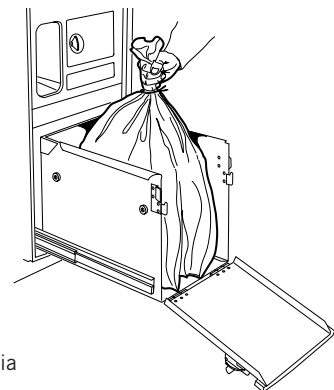
No ponga pinturas, trapos aceitosos, latas de líquido para encendedores, latas de diluyentes de pintura, etc. en el compactador. Dichos artículos podrían encenderse de manera espontánea y causar un incendio o una explosión (o ambos).



NO EMPUJE NUNCA BASURA DEL CUBO CON LAS MANOS O LOS PIES. En la basura podría haber vidrios rotos, piezas metálicas cortantes, etc., que podrían causar lesiones.

8. RETIRO DE LA BOLSA

1. Saque el cubo de basura deslizándolo hacia afuera.
2. Afloje las trabas del cubo y baje el frente del cubo.
3. Desabotone la bolsa del cubo y ciérrela torciendo la parte de arriba. Amárrela con el alambre de amarre suministrado.
4. Levante la bolsa y deslícela hacia afuera del cubo.



EXCEPTO PARA LA LIMPIEZA DESCRITA EN LA SIGUIENTE SECCIÓN, TODO SERVICIO DEBERÁ REALIZARLO UN REPRESENTANTE DE SERVICIO AUTORIZADO.

9. LIMPIEZA

El compactador está diseñado con acceso fácil para limpiarlo cuando sea necesario.

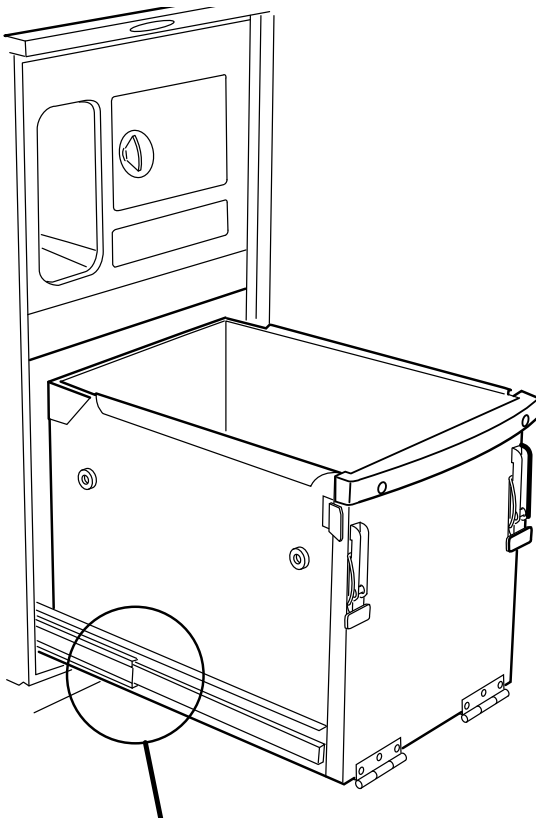
El interior y el exterior del gabinete tienen un acabado de esmalte duradero.

No use esponjas ni limpiadores abrasivos que podrían dañar el acabado del compactador. Utilice una solución detergente suave para estas superficies.

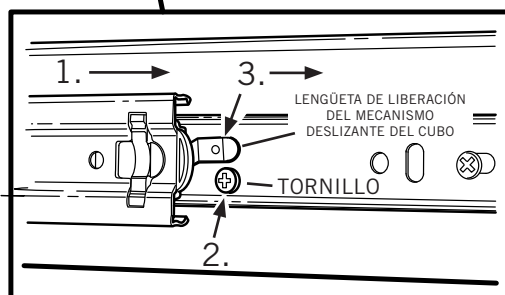


PRECAUCIÓN: Es posible que haya fragmentos de vidrio u otros objetos o residuos cortantes en las superficies que se vayan a limpiar o alrededor de ellas. Elimine cuidadosamente tales objetos antes de limpiar cualquier superficie.

SAQUE EL CUBO DE BASURA Y LIMPIE EL INTERIOR

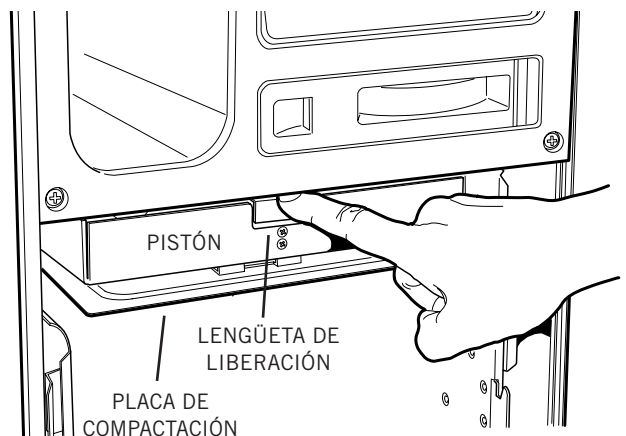


Mantenimiento



1. Jale hacia afuera el cubo de basura hasta que se detenga.
2. Quite (1) **tornillo** de cada uno de los mecanismos de deslizamiento del cubo.
3. Presione las **lengüetas de liberación del mecanismo deslizante del cubo** a la izquierda y a la derecha, al mismo tiempo que jala el cubo hasta sacarlo de la unidad.
4. Aspire y limpie la base del gabinete, los canales de guía y el cubo, especialmente en las esquinas.
5. Lave el interior del gabinete con una solución detergente suave.
6. Al terminar de limpiar el gabinete, instale el cubo de basura siguiendo los pasos 2 y 3 en sentido contrario.

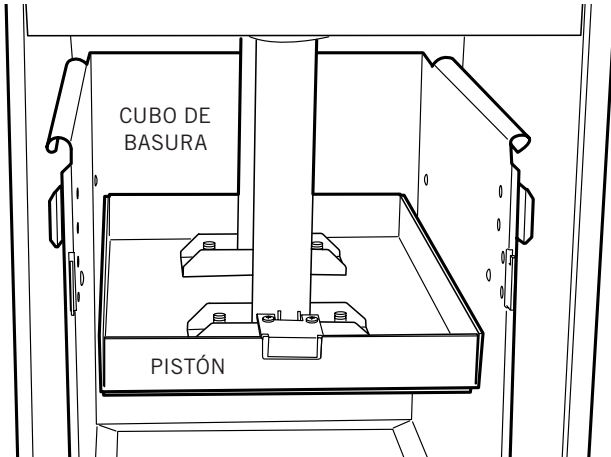
LIMPIE LA PLACA DE COMPACTACIÓN



1. El **pistón** está equipado con una **placa de compactación** que puede quitarse para facilitar la limpieza.
2. Asegúrese de que el cubo de basura este vacío y sin una bolsa.
3. Empuje el cubo de basura hacia dentro del gabinete. Desenganche y baje el frente del cubo.
4. Presione la **lengüeta de liberación** de la placa de compactación en el frente del pistón para desenganchar la placa. La placa puede sacarse jalándola hacia abajo y hacia afuera del pistón.
5. Al sacarla, la placa del compactador se puede lavar con una solución detergente suave, o colocarse en una máquina lavaplatos.
6. Vuelva a instalar la placa del compactador insertando la lengüeta (en la parte posterior de la placa) en la ranura (en la parte posterior del pistón). Levante y presione el frente de la placa hasta que se enganche firmemente en su sitio.

9. LIMPIEZA (cont.)

LIMPIE EL PISTÓN



1. Asegúrese de que el **cubo de basura** esté vacío y se haya metido en el gabinete.
2. Gire el interruptor del seguro de llave a la posición de "ENCENDIDO" (ON).



Interruptor del seguro de llave

3. Seleccione el modo de compactación de "Espera" (Hold).

Modo de compactación (Compact Mode) de espera (Hold)

4. Cierre la puerta.
5. Presione el botón de "Inicio".



Botón de inicio

El pistón viajará al fondo del cubo de basura y se detendrá al finalizar la carrera.



PRECAUCIÓN: Es posible que haya fragmentos de vidrio u otros objetos o residuos cortantes en las superficies que se vayan a limpiar o alrededor de ellas. Elimine cuidadosamente tales objetos antes de limpiar cualquier superficie.

6. Abra la puerta. Desenganche y baje el frente del cubo. aspire la parte superior del pistón y limpie con una solución detergente suave.
7. Al terminar de limpiar:
Levante y vuelva a enganchar el frente del cubo, cierre la puerta y presione el botón de "Inicio". El pistón regresará a la parte superior de la carrera y se apagará automáticamente. Abra la puerta, deslice y saque el cubo, ponga la bolsa y seleccione el modo de compactación. El compactador está ahora listo para recibir basura.

10. RESOLUCIÓN DE PROBLEMAS

Ante de llamar para solicitar servicio, repase los pasos siguientes que podrán ahorrarle el costo de una llamada de servicio:

1. ¿Está el cordón eléctrico bien enchufado?
2. ¿Se fundió un fusible o se disparó un interruptor de circuitos?
3. ¿Está la puerta bien cerrada?
4. ¿Está el interruptor de la llave en la posición de "ENCENDIDO" (ON)?
5. ¿Presionó el botón de "Inicio" lo suficiente como para comenzar el ciclo compactación?
6. Si es difícil cerrar el cubo de basura, revise para ver si detrás del cubo hay basura que podría estar impidiendo el cierre.
7. El motor tiene un mecanismo de corte térmico automático. Si el aparato ha estado compactando repetidamente, es posible que este protector haya abierto el circuito. Espere unos cuantos minutos para que el mecanismo se reinicie automáticamente.
8. El cubo de basura tiene que estar lleno al menos a la mitad antes de que pueda observarse una cantidad de compactación apreciable, ya que el pistón no viaja hasta el fondo del cubo. La basura que esté en el último tercio del cubo se aplastará durante las compactaciones subsiguientes.
9. En raras ocasiones, es posible que una lata grande que se haya puesto cerca del borde exterior del cubo de basura esté envuelta alrededor del borde del pistón. Esto podría obstaculizar el funcionamiento apropiado del pistón. Para corregir este problema, simplemente abra la puerta, desenganche y abra el frente del cubo y saque la lata. ¡TENGA CUIDADO AL MANIPULAR OBJETOS CORTANTES!
10. El compactador no funcionará en el caso improbable de que el accionador de entrecierre (en la parte interior de la puerta) se rompa. NO TRATE DE HACER FUNCIONAR EL COMPACTADOR DE NINGUNA OTRA MANERA. Comuníquese con su distribuidor de Broan para hacer el pedido de un accionador de repuesto.
11. Para solicitar servicio, debe suministrar el número de modelo de la unidad, el número de serie y la naturaleza del defecto del producto o pieza. El número de modelo, número de serie y todos los demás datos se muestran en la placa del modelo localizada en la pared interior del gabinete. Al solicitar servicio de garantía, deberá presentar un comprobante con la fecha de compra original. Para obtener el nombre del centro de servicio de garantía en su localidad, comuníquese con el distribuidor donde adquirió su compactador o con Broan-NuTone LLC.

11. GARANTÍA

GARANTIA BROAN-NUTONE LIMITADA POR UN AÑO

Broan-NuTone garantiza al consumidor comprador original de sus productos que dichos productos carecerán de defectos en materiales o en mano de obra por un período de un año a partir de la fecha original de compra. NO EXISTEN OTRAS GARANTIAS, EXPLICITAS O IMPLICITAS, INCLUYENDO, PERO NO LIMITADAS A, GARANTIAS IMPLICITAS DE COMERCIALIZACION O APTITUD PARA UN PROPOSITO PARTICULAR.

Durante el período de un año, y a su propio criterio, Broan-NuTone reparará o reemplazará, sin costo alguno cualquier producto o pieza que se encuentre defectuosa bajo condiciones normales de servicio y uso.

ESTA GARANTIA NO SE APLICA A TUBOS Y ARRANCADORES DE LAMPARAS FLUORESCENTES. Esta garantía no cubre (a) mantenimiento y servicio normales o (b) cualquier producto o piezas que hayan sido utilizadas de forma errónea, negligente, que hayan causado un accidente, o que hayan sido reparadas o mantenidas inapropiadamente (por otras compañías que no sean Broan-NuTone), instalación defectuosa, o instalación contraria a las instrucciones de instalación recomendadas.

La duración de cualquier garantía implícita se limita a un período de un año como se especifica en la garantía expresa. Algunos estados no permiten limitaciones en cuanto al tiempo de expiración de una garantía implícita, por lo que la limitación antes mencionada puede no aplicarse a usted.

LA OBLIGACION DE BROAN-NUTONE DE REPARAR O REEMPLAZAR, SIGUIENDO EL CRITERIO DE BROAN-NUTONE, DEBERA SER EL UNICO Y EXCLUSIVO RECURSO LEGAL DEL COMPRADOR BAJO ESTA GARANTIA. BROAN-NUTONE NO SERA RESPONSABLE POR DAÑOS INCIDENTALES, CONSIGUIENTES, O POR DAÑOS ESPECIALES QUE SURJAN A RAIZ DEL USO O DESEMPEÑO DEL PRODUCTO. Algunos estados no permiten la exclusión o limitación de daños incidentales o consiguientes, por lo que la limitación antes mencionada puede no aplicarse a usted. Esta garantía le proporciona derechos legales específicos, y usted puede también tener otros derechos, los cuales varían de estado a estado. Esta garantía reemplaza todas las garantías anteriores.

Para calificar en la garantía de servicio, usted debe (a) notificar a Broan-NuTone al domicilio o al número de teléfono que se menciona abajo, (b) dar el número del modelo y la identificación de la pieza, y (c) describir la naturaleza de cualquier defecto en el producto o pieza. En el momento de solicitar servicio cubierto por la garantía, usted debe de presentar evidencia de la fecha original de compra.

Broan-NuTone LLC Hartford, Wisconsin
www.broan.com 800-558-1711

Broan-NuTone Canada Mississauga, Ontario
www.broan.ca 877-896-1119

Free Manuals Download Website

<http://myh66.com>

<http://usermanuals.us>

<http://www.somanuals.com>

<http://www.4manuals.cc>

<http://www.manual-lib.com>

<http://www.404manual.com>

<http://www.luxmanual.com>

<http://aubethermostatmanual.com>

Golf course search by state

<http://golfingnear.com>

Email search by domain

<http://emailbydomain.com>

Auto manuals search

<http://auto.somanuals.com>

TV manuals search

<http://tv.somanuals.com>