

ENGLISH

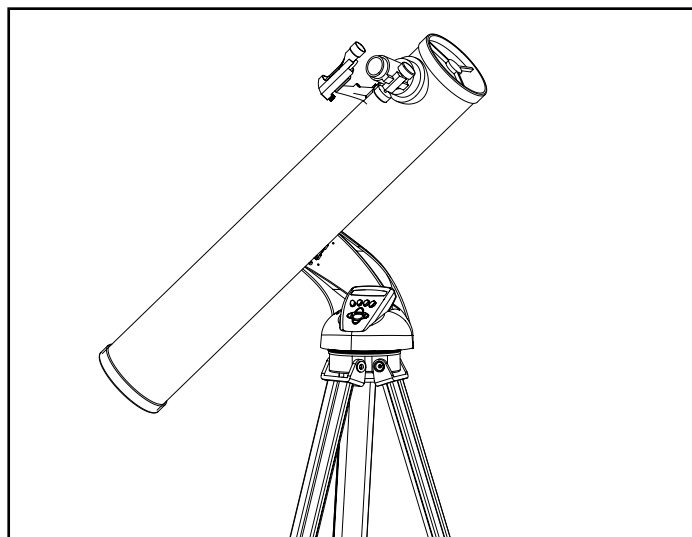
Bushnell®



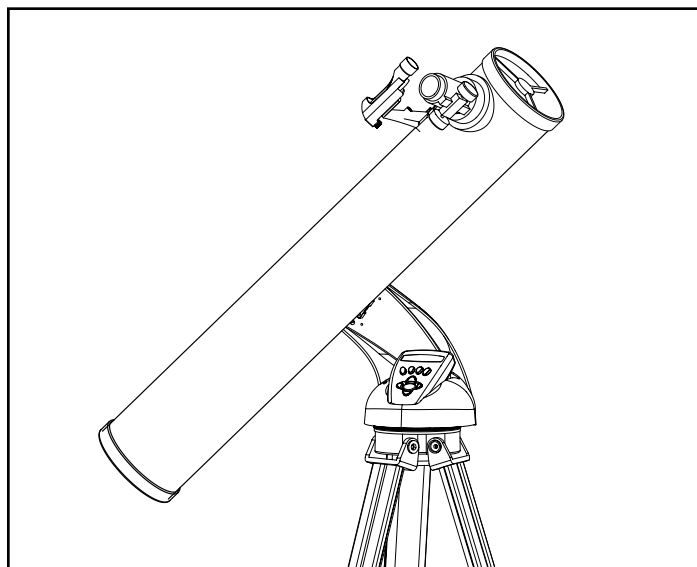
WITH REALVOICE™ OUTPUT
AVEC SORTIE REALVOICE™
CON SALIDA REALVOICE™
MIT REALVOICE™ SPRACHAUSGABE

INSTRUCTION MANUAL
MANUEL D'INSTRUCTIONS
MANUAL DE INSTRUCCIONES
BEDIENUNGSANLEITUNG

78-8831 76mm Reflector



78-8846 114mm Reflector



Lit.#: 98-0195/11-02

Congratulations on the purchase of your Bushnell Northstar Goto Telescope with Real Voice Output!! This is the first telescope ever created that actually speaks to you to educate you about the night sky. Consider this feature as your personal astronomy assistant.

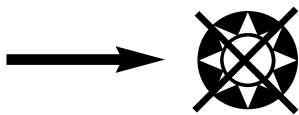
After reading through this manual and preparing for your observing session as outlined in these pages you can start enjoying the Real Voice Output feature by doing the following:

To activate your telescope, simply turn it on! The Real Voice Output feature is built in to the remote control handset.

Along the way the telescope will speak various helpful comments during the alignment process. Once aligned, the Real Voice Output feature will really shine anytime the enter key is depressed when an object name or number is displayed at the bottom right of the LCD viewscreen. That object description will be spoken to you as you follow along with the scrolling text description.

If at anytime you wish to disable the speaking feature, you can cancel the speech by pressing the “Back” button on the remote control keypad.

It is our sincere hope that you will enjoy this telescope for years to come!



NEVER LOOK DIRECTLY AT THE SUN
WITH YOUR TELESCOPE

PERMANENT DAMAGE TO YOUR EYES
MAY OCCUR

WHERE DO I START?

Your Bushnell telescope can bring the wonders of the universe to your eye. While this manual is intended to assist you in the set-up and basic use of this instrument, it does not cover everything you might like to know about astronomy. Although Northstar will give a respectable tour of the night sky, it is recommended you get a very simple star chart and a flashlight with a red bulb or red cellophane over the end. For objects other than stars and constellations, a basic guide to astronomy is a must. Some recommended sources appear on our website at www.bushnell.com. Also on our website will be current events in the sky for suggested viewing. Some of the standbys that you can see are:

The Moon—a wonderful view of our lunar neighbor can be enjoyed with any magnification. Try viewing at different phases of the moon. Lunar highlands, lunar maria (lowlands called "seas" for their dark coloration), craters, ridges and mountains will astound you.

Saturn—even at the lowest power you should be able to see Saturn's rings and moons. This is one of the most satisfying objects in the sky to see simply because it looks like it does in pictures. Imagine seeing what you've seen in textbooks or NASA images from your backyard!

Jupiter—the largest planet in our solar system is spectacular. Most noted features are its dark stripes or bands both above and below its equator. These are the north and south equatorial belts. Also interesting are Jupiter's four major moons. Pay close attention to their positions from night to night. They appear to be lined up on either side of Jupiter.

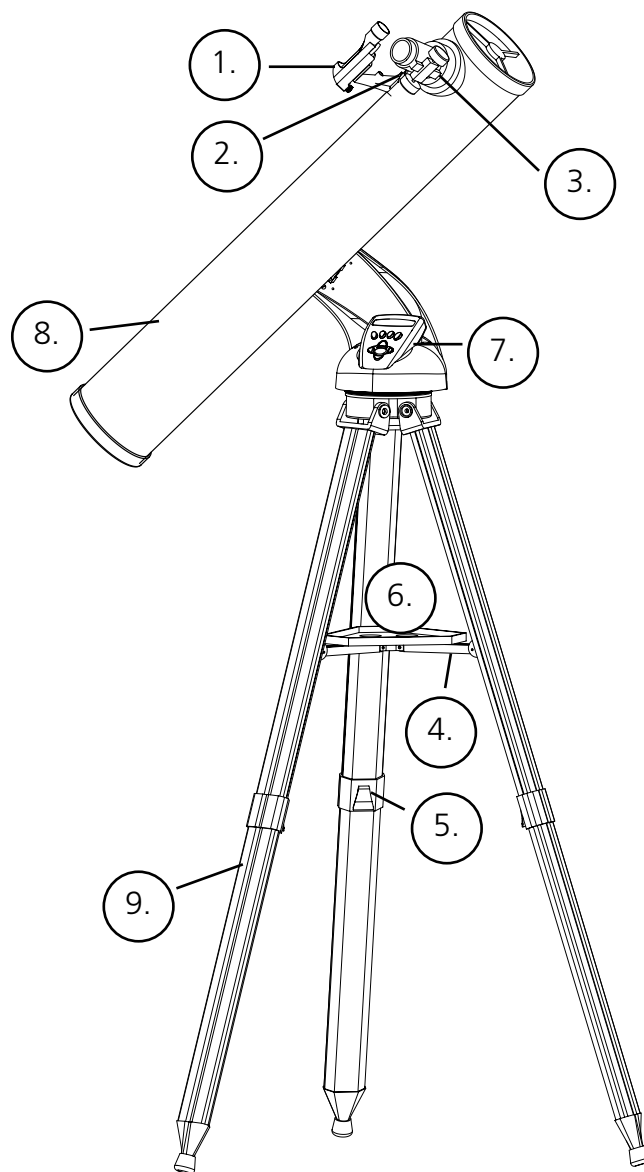
Mars—The Great Red Planet appears as a reddish-orange disk. Look at different times of the year and try to catch a glimpse of the white polar ice caps.

Venus—just like the moon, Venus changes phases from month to month. At times Venus appears brilliantly in the night sky, just as if you were looking at a distant crescent moon.

Nebulae—The Great Orion Nebula is a very well known night sky object. This and many others are brought to you by this telescope.

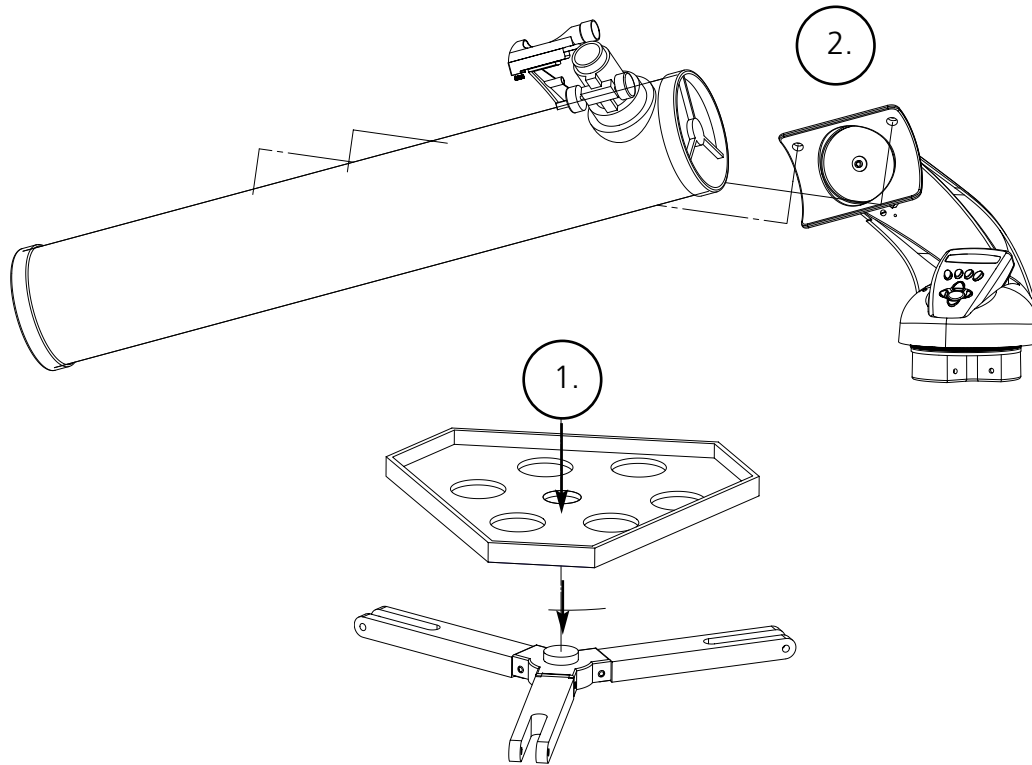
Star Clusters—View millions of stars densely packed in a cluster that resembles a ball.

Galaxies—One of the greatest and most interesting galaxies is our neighbor the Andromeda Galaxy. Enjoy this and many others.



TELESCOPE PARTS DIAGRAM

- | | |
|---------------------------------------|---------------------------------------------|
| 1. Red Dot Finderscope | 6. Quick-Release Accessory Tray |
| 2. 1.25" Format Eyepiece | 7. Remote Computer Controller |
| 3. Rack and Pinion Focusing Mechanism | 8. Main Telescope Tube |
| 4. Accessory Tray Brace | 9. Quick-Release Adjustable Aluminum Tripod |
| 5. Quick-Release Tripod Leg Lever | |



PARTS LIST

- Adjustable Aluminum Tripod Assembly
(Pre-assembled to Northstar Computerized Star Locator Base)
- Quick Release Accessory Tray
- Northstar Telescope with finger attachment nuts
- Red Dot Finderscope
- 20mm 1.25" Diameter Eyepiece
- 4mm 1.25" Diameter Eyepiece
- Barlow Lens

DETAILED ASSEMBLY

No tools are required for assembly of your telescope.

Remove all components from the carton and identify all components. It is a good idea to lay all the parts out in front of you before assembly. Since your telescope is a precision optical system the parts require careful handling—particularly the onboard computer, telescope, eyepieces, and various accessory lenses.

SET UP TRIPOD AND ACCESSORY TRAY

1. Stand Northstar Computerized Star Locator Assembly and attached tripod legs in the upright position. Spread tripod legs to a comfortable distance.
2. Fold down the accessory tray braces and place the Quick Release Accessory Tray on top of braces. (See Quick Assembly Diagram)
3. Turn accessory tray until it snaps into place.
4. Adjust tripod leg height to suit by opening tripod leg lever and extending tripod legs to desired height. Clamp Tripod Leg lever closed when complete.

ATTACH TELESCOPE TUBE

1. Locate Main Telescope Tube.
2. Remove Telescope Tube Thumb Nuts from side of Telescope Tube. (See Quick Assembly Diagram)
3. Position Main Telescope Tube Attachment Bolts through Telescope Tube Bracket at the top of the Northstar Computerized Star Locator Assembly. Make sure the telescope is pointing in the correct direction. (Logo on telescope tube should be right-side up.)
4. Reattach Telescope Tube Thumb Nuts to Main Telescope Tube Attachment Bolts once Main Telescope Tube and Northstar Computerized Star Locator Assembly are assembled together.

ATTACH FINAL TELESCOPE ACCESSORIES

1. Locate Red Dot Finderscope.

For Reflector Telescopes: Remove Finderscope attachment nuts from Main Telescope Tube. Place Finderscope Assembly over Finderscope Attachment Bolts and reattach Finderscope thumb nuts to Finderscope Mount Bolts.

NOTE: The large end of the finderscope should face the open end of telescope tube.

2. Attach Low Power Eyepiece.

For Reflector Telescope Models: Insert lowest power eyepiece in the focusing mechanism by backing out eyepiece set screw and inserting eyepiece fully.

3. Tighten all set screws to secure accessories.
4. Remove Objective Dust Cover exposing entire diameter of open end of telescope.

SELECTING AN EYEPIECE

You should always start viewing with the lowest power eyepiece, which in this case is the 20 mm lens. Note: the base power of each eyepiece is determined by the focal length of the telescope objective lens. A formula can be used to determine the power of each eyepiece: telescope OBJECTIVE lens focal length divided by EYEPIECE focal length = MAGNIFICATION (e.g. Using the 20 mm lens, a sample calculation could look like this: $750 \text{ mm} / 20 = 38x$ or 38 power. Telescope models will vary in focal length.)

Included with this telescope is a Barlow lens. Barlow lenses are used to double or triple the power of your telescope. Place your Barlow between the focusing tube and the eyepiece. Using the example above, your 3x Barlow lens would give you a total power of 114x or 114 power. ($38 \times 3 = 114x$ or 114 power). The magnification calculation would look like this: $750 \text{ mm} / 20 \text{ mm} = 38 \text{ power}$. $38 \text{ power} \times 3 = 114 \text{ power}$.

DETAILED ASSEMBLY (CONTINUED)

FOCUSING TELESCOPE

1. After selecting the desired eyepiece, aim main telescope tube at a land-based target at least 200 yards away (e.g. a telephone pole or building).
2. Fully extend Focusing Tube by turning Rack and Pinion Focusing Mechanism.
3. While looking through selected eyepiece (in this case the 20 mm), slowly retract Focusing Tube by turning Rack and Pinion Focusing Mechanism until object comes into focus.

ATTACH REMOTE COMPUTER CONTROLLER AND BATTERY

1. Locate Remote Computer Controller and coil cord.
2. Locate Battery Door on Northstar Computerized Star Locator Base.
3. Remove Battery Door and insert one 9V battery.
4. Replace Battery Door.
5. Attach Remote Computer Controller with coil cord to Northstar Computerized Star Locator Base.

ALIGNING FINDERSCOPE

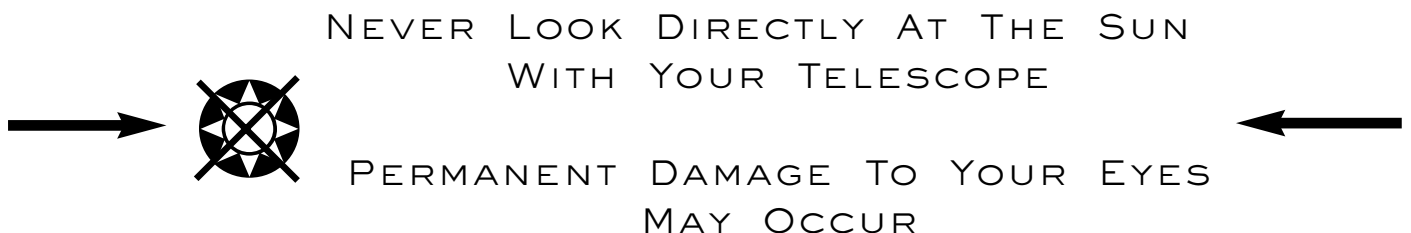
Look through Main Telescope Tube and establish a well-defined target. (see Focusing Telescope section)

Remove plastic insulator from between Red Dot Finderscope battery and battery clip.

Turn Red Dot Finderscope on.

Looking through Red Dot Finderscope, turn adjustment wheels until the red dot is precisely centered on the same object already centered in Main Telescope Tube's field of view.

Now, objects located first with the Red Dot Finderscope will be centered in the field of view of the main telescope.



ENJOYING YOUR NEW TELESCOPE

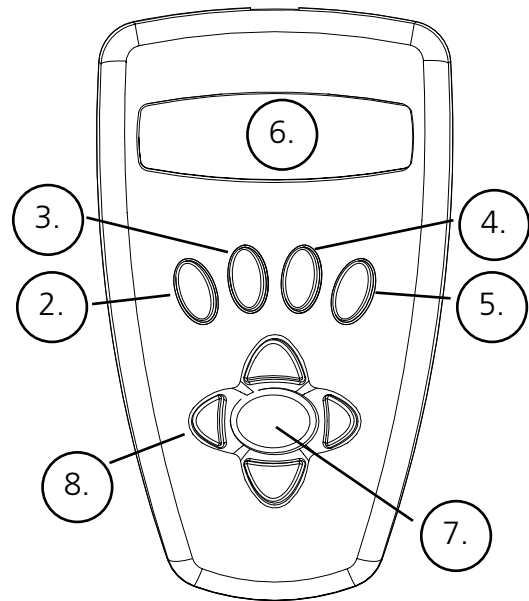
1. First determine your targeted object. Any bright object in the night sky is a good starting point. One of the favorite starting points in astronomy is the moon. This is an object sure to please any budding astronomer or experienced veteran. When you have developed proficiency at this level, other objects become good targets. Saturn, Mars, Jupiter, and Venus are good second steps to take.
2. The first thing you need to do after assembling the telescope as planned is center the desired object in the finderscope's cross hairs. Provided you did a reasonable job aligning the finderscope, a quick look through the main telescope tube at low power should reveal the same image. With the lowest power eyepiece (the one with the largest number printed on it) you should be able to focus the same image that you saw through the finderscope. Avoid the temptation to move directly to the highest power. The low power eyepiece will give you a wider field of view, and brighter image—thus making it very easy to find your target object. At this point with a focused image in both scopes, you've passed the first obstacle. If you don't see an image after attempting to focus it in, you might consider aligning your finderscope again. Once you pass this step, you'll will enjoy the time spent ensuring a good alignment. Every object you center in the finderscope will be easily found in the main telescope tube, which is important for continuing your exploration of the night sky.
3. The low power eyepieces are perfect for viewing the full moon, planets, star clusters, nebulae, and even constellations. These should build your foundation. However, for more detail, try bumping up in magnification to higher power eyepieces on some of these objects. During calm and crisp nights, the light/dark separation line on the moon (called the "Terminator") is marvelous at high power. You can see mountains, ridges and craters jump out at you due to the highlights. Similarly, you can move up to higher magnifications on the planets and nebulae. Star clusters and individual stars are best viewed through the low power no matter what.
4. The recurring astronomical theater we call the night sky is an ever-changing billboard. In other words, the same movie does not play all the time. Rather, the positions of the stars change not only hourly as they seem to rise and set, but also throughout the year. As the earth orbits the sun our perspective on the stars changes on a yearly cycle about that orbit. The reason the sky seems to move daily just as the sun and the moon "move" across our sky is that the earth is rotating about its axis. As a result you may notice that after a few minutes or a few seconds depending on what power you are viewing at, the objects in your telescope will move. At higher magnifications especially, you will notice that the moon or Jupiter will "race" right out of the field of view. To compensate, just move your telescope to "track" it in the necessary path.

HELPFUL HINTS

1. Your telescope is a very sensitive instrument. For best results and fewer vibrations set your telescope up on a level location on the ground rather than your concrete driveway or your wooden deck. This will provide a more stable foundation for viewing, especially if you've drawn a crowd with your new telescope.
2. If possible view from a location that has relatively few lights. This will allow you to see much fainter objects. You'd be surprised how much more you'll see from your local lake or park when compared to a backyard in the city.
3. Using your telescope out a window is NEVER recommended.
4. View objects that are high in the sky if possible. Waiting until the object rises well above the horizon will provide a brighter and crisper image. Objects on the horizon are viewed through several layers of earth's atmosphere. Ever wonder why the moon appears orange as it sets on the horizon? It's because you are looking through a considerable more amount of atmosphere than you would directly overhead. (Note: If objects high in the sky are distorted or wavy, you are probably viewing on a very humid night.) During nights of unstable atmosphere, viewing through a telescope can be frustrating if not impossible. Astronomers refer to crisp, clear nights as nights of "good seeing."

NORTHSTAR COMPUTER INTERFACE DIAGRAM

1. On/Off Button (On Northstar Base)
2. Back Button
3. Enter Button
4. Scroll Up Button
5. Scroll Down Button
6. LCD Display
7. "GO" Button
8. Motorized Movement Buttons (4)
9. Battery Door (On Northstar Base)



BUTTON FUNCTIONS

ALL BUTTONS ARE ILLUMINATED FOR NIGHTTIME USE.

On/Off Button: The On/Off Button will turn the Northstar Computerized Star Locator on and off. This button flashes or strobes on and off during normal use. To turn the unit off, simply depress and hold the On/Off button for three seconds and release. (Note: The Northstar Computerized Star Locator will automatically turn itself off after 10 minutes of inactivity.)

Back Button: This button functions to navigate to the previous level within the operating framework and/or back to the previous level of input. If at anytime you wish to disable the speaking feature, you can cancel the speech by pressing the "Back" button on the remote control keypad.

Enter Button: This button functions to select certain menu choices. By pressing the ENTER button Northstar will advance to the selected level. When an object name or number is listed on the screen, the ENTER button can also be pressed to hear a spoken description and display a scrolling text description of the object.

Scroll Up Button: This button functions to scroll up through various menus within Northstar. Anytime you encounter a blinking text/number option, the scroll button will display the various choices within that menu. (Note: To select an option that you have scrolled to, just press the ENTER button.)

Scroll Down Button: This button functions to scroll down through various menus within Northstar. Anytime you encounter a blinking text/number option, the scroll button will display the various choices within that menu. (Note: To select an option that you have scrolled to, just press the ENTER button.)

"GO" Button: The GO button will automatically center any object displayed on the LCD display. By pushing the "GO" button, the telescope will automatically find and follow the selected object until another object is selected and the "GO" button is pushed again.

Motorized Movement Buttons: These four multi-directional buttons will allow the user to override the tracking system and move the telescope utilizing the motors manually to another desired location. The longer these buttons are depressed, the faster the Northstar will move until it reaches its maximum speed.

LCD DISPLAY

The Liquid Crystal Display (LCD) is a two-line, sixteen character display. The LCD is illuminated for use during nighttime viewing just like the buttons.

MODE OVERVIEW OF PRODUCT

Explore: The Explore Mode of Northstar provides the ability to explore various astronomical objects categorized by object type. These objects would fall under one or more of the following types of objects: Deep Sky, Planets, Constellations, and Stars. Each of these subheadings would also have subcategories of objects beneath their menu structure. (See Menu Tree for full list of menu functions and options.)

Sky Tour: The Sky Tour Mode of Northstar provides the ability to take a quick tour of the best and brightest objects for any given month of the year. If the date has been input into the system, the Sky Tour Mode will automatically default to that month. Objects can be chosen by using the scroll up or down arrows and pressing ENTER. To find out more information about any given object press the ENTER button while that object is displayed to see the scrolling text message.

Telescope: The Telescope Mode of Northstar provides real-time data on where the telescope is pointing. Astronomical Coordinates for Right Ascension (RA) and Declination (DEC) as well as Altitude (ALT) and Azimuth (AZ) are displayed simultaneously. In addition, in the lower right-hand corner will be the abbreviation for the current constellation that the telescope is pointed at.

Identify: The Identify Mode of Northstar provides the ability to identify any object within your telescope field of view. Subcategories for different classes of identifiable objects are included as well as an Identify Any option.

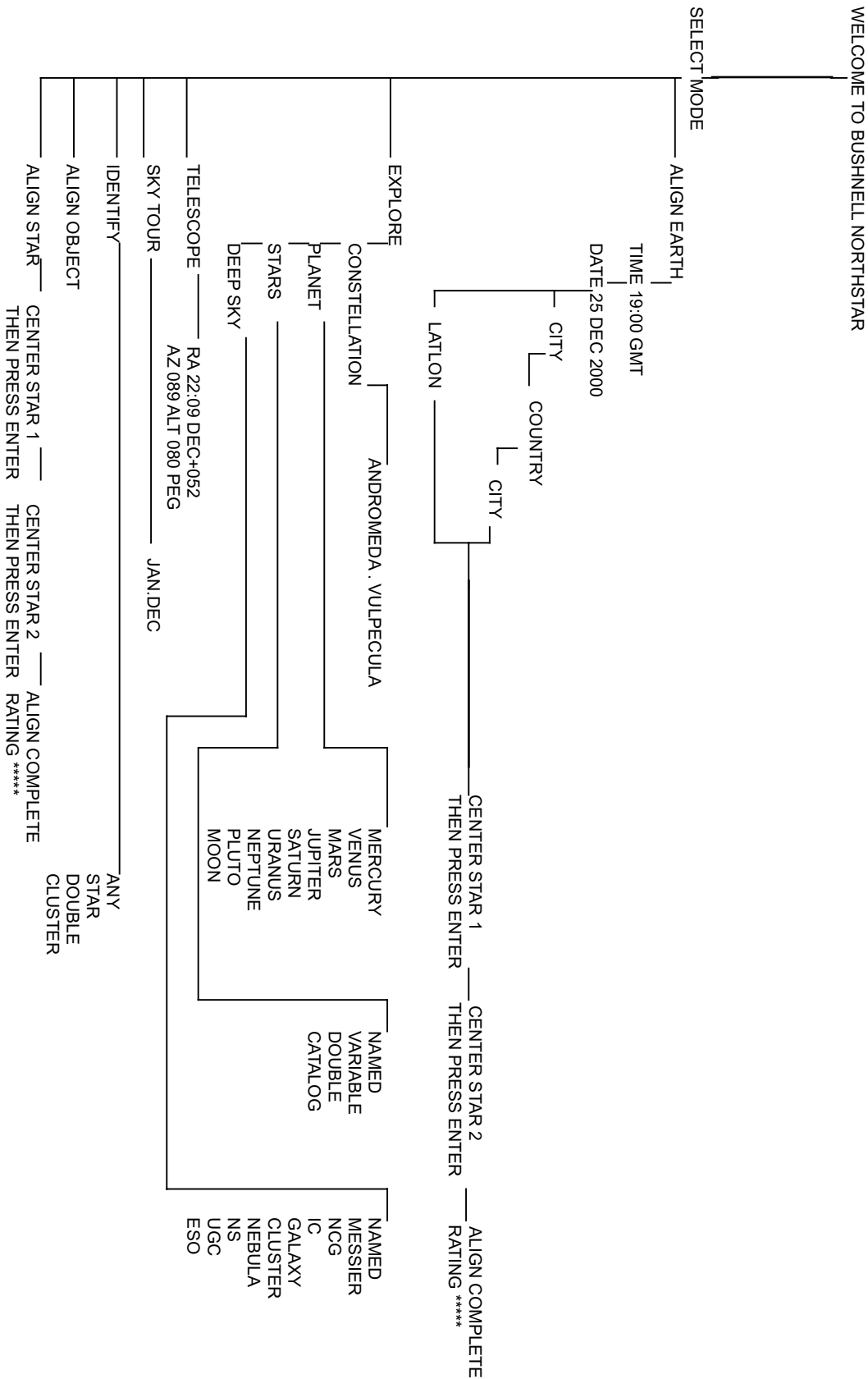
Align Earth: The Align Earth Mode of Northstar provides the ability to easily align your telescope utilizing common information non-astronomers would readily know. By entering simple information such as time, date, city, etc. a first time telescope user can explore the immense Northstar database of astronomical objects within minutes.

Align Star: The Align Star Mode of Northstar provides the ability to align your telescope utilizing some astronomical knowledge. By knowing where two stars are located in the sky, a novice user can circumvent the city, date, and time input and quickly start utilizing the Northstar database to locate amazing astronomical objects.

Align Object: The Align Object Mode of Northstar provides the ability to refine your telescope alignment during the middle of your observing session. This might come in very handy if the family dog has just bumped the telescope out of alignment. By using this mode you can center the telescope on any known object and select align object to quickly recalibrate the Northstar alignment allowing continued enjoyment for the duration of the evening.

MENU TREE

BUSHNELL NORTHSTAR COMPUTER MENU STRUCTURE (For Step-By-Step Easy Use Refer to Quick Reference Guide)



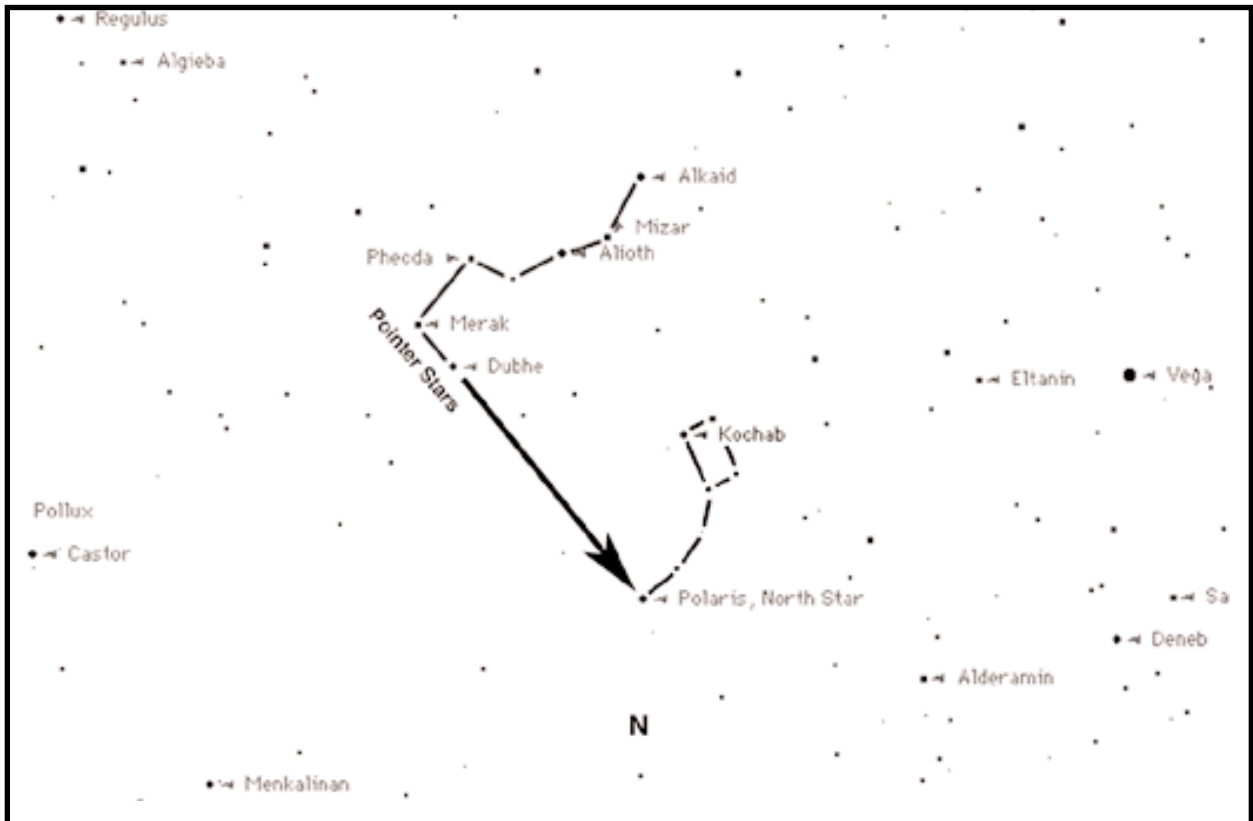
ALIGNING NORTHSTAR FOR THE FIRST TIME

(NOTE: Make certain that the telescope is set up on a level surface.)

STEP 1: POINT NORTH

Point the telescope in the direction of North.

NOTE: THE USER SHOULD JUST ATTEMPT TO GET THE TELESCOPE POINTED RELATIVELY CLOSE TO NORTH. THE ALIGNMENT WILL BE REFINED AS WE PROGRESS. HOWEVER, IF YOU CAN FIND THE BIG DIPPER AND USE THE "POINTER STARS", FOLLOW THE ARROW ON THE DIAGRAM TO THE NORTH STAR. THE NORTH STAR LIES DIRECTLY ABOVE DUE NORTH!



When you turn the telescope on, a scrolling message will appear:

```
BUSHNELL NORTHSTAR Vx.x
```

Following this message, the telescope will execute a diagnostic check and level the telescope tube in relation to the telescope mount.

Then the default menu will appear:

```
SELECT MODE  
ALIGN EARTH ↕
```

This mode assumes that even if the telescope user is a first time user and does not know anything about astronomy that they can be successful aligning the telescope in a few simple steps.

The ALIGN EARTH option is flashing.

Press ENTER to choose ALIGN EARTH option.

NOTE: ANY FLASHING ITEM ON THE DISPLAY IS A MENU CHOICE. OTHER CHOICES ARE AVAILABLE BY USING THE SCROLL UP OR SCROLL DOWN BUTTONS.

ALIGNING NORTHSTAR FOR THE FIRST TIME (Continued)

STEP 2: SET THE TIME

By using the SCROLL UP and SCROLL DOWN buttons and the ENTER button, the time can easily be set as well as the time zone. Each flashing option will need to be changed to read the appropriate number. Once the appropriate number is displayed, accept the number by pressing ENTER. Then set the next flashing option until the time and time zone are set.

STEP 3: SET THE DATE

Again by using the SCROLL UP and SCROLL DOWN buttons and the ENTER button, the date can easily be set. Each flashing option will need to be changed to read the appropriate number or month. Once the appropriate number is displayed, accept the number by pressing ENTER. Then set the next flashing option until the day, month and year are set.

STEP 4: SET THE LOCATION

The next screen will display:

```
ALIGN EARTH  
CITY ↕↕
```

CITY will be flashing. By pressing the ENTER button, the display will change to:

```
COUNTRY  
U.S.A. ↕↕
```

The country will be flashing.

Again by using the SCROLL UP and SCROLL DOWN buttons and the ENTER button, the COUNTRY can be chosen.

When the appropriate Country is found and the ENTER button is pushed, choose the city that you are closest to by pressing ENTER when it is displayed.

NOTE: CHOOSE THE CITY CLOSEST TO YOUR VIEWING LOCATION. THIS IS NOT A CRITICAL STEP AND THE ALIGNMENT WILL BE REFINED AUTOMATICALLY AS WE PROGRESS.

After four simple criteria that any consumer should know, the telescope now knows where over 20,000 astronomical objects are in the night sky to a relative precision. With just two more steps, you will zero in on pinpoint accuracy.

Now the telescope will lead you through a simple two star alignment process. YOU DO NOT NEED TO KNOW WHERE ANY STARS ARE. You just simply follow the directions.

A scrolling message indicates to CENTER STAR 1 THEN PRESS ENTER

Then the display will read:

```
CENTER STAR 1  
+120 +52 MIZAR
```

Push the "GO" button and the telescope will automatically move to the general vicinity of the first guide star—in this case MIZAR

The guide stars will be the brightest stars found in that area of the sky. Northstar will automatically "zero out" the guide star and the display will read:

```
CENTER STAR 1  
0°0 0°0 MIZAR
```

Note as you move from greater than 10 degrees away from an object to under ten degrees, the display moves into tenths of degrees with the arrows acting as decimal points (Example 8+5=8.5 degrees below the object).

After getting the star zeroed in, you need to do as the screen told you—CENTER STAR 1. In other words, the star might appear in the lower left corner of your telescope's eyepiece.

By looking through the eyepiece, center the star in the field of view by using the Motorized Movement Buttons or move the telescope by hand and press ENTER.

ALIGNING NORTHSTAR FOR THE FIRST TIME (Continued)

The distance the object is from the center is related to how far outside of a city you might be located or how accurately you aligned with north.

Repeat this process for STAR 2 and press ENTER.

After this step is completed, you will see a display that reads:

```
ALIGN COMPLETE
RATING *****
```

(Note: The more stars that appear on the second line of the display the better, up to 5)

After the two star alignment is complete, your Northstar now knows with pinpoint accuracy where all 20,000+ objects are!!

USING NORTHSTAR FOR THE FIRST TIME

After EARTH ALIGN, the display will then read:

```
SELECT MODE
EXPLORE ↑↑
```

Select EXPLORE by pressing ENTER. SCROLL UP and DOWN to see what flashing menu choices you have. Choose PLANET. These are the most interesting. Even if you are a first time telescope user, PLANET objects can be very exciting.

Press ENTER when the display reads:

```
EXPLORE
PLANET
```

This will take you into a list of named PLANET objects. By using the SCROLL UP or SCROLL DOWN buttons, you can explore several items in the object list.

```
PLANET
JUPITER ↑↑
```

Press ENTER to choose the PLANET you wish to view. The display will then be:

```
PLANET
+120 +52 JUPITER
```

NOTE: IF AN OBJECT IS BELOW THE HORIZON, THE DISPLAY WILL PERIODICALLY DISPLAY THE WORD "HORIZON".

SCROLL UP or SCROLL DOWN to see other PLANETS in the list. Notice the display shows you directions to each object. But what if you are a first time user wanting to find out more about the object? Wouldn't it be nice to know what the object is before moving the telescope?

PRESS ENTER when:

```
PLANET
+120 +52 JUPITER
```

any other PLANET item is displayed. You will see a scrolling message telling you the coordinates for the object, how bright it is, how big it is, what its proper name is, what constellation it is in, and a brief description of what the object is. For JUPITER it reads:

```
JUPITER fifth planet from sun.
Largest planet in solar system.
16 moons. Orbit is 11.86 years.
Diameter 143,000 km. Named for roman king of gods.
```

USING NORTHSTAR FOR THE FIRST TIME (Continued)

Now imagine that you are a parent trying to impress your children (or vice versa). Ten minutes into your first observing session you are already learning astronomical objects. This is a great educational tool !!!!

To find the object, just press the "GO" button and that object will be right in the telescope's eyepiece!

By pressing the BACK button, you move back to the previous level each time the button is pressed. Press the button three times and you are back at the main level menu. The display will read:

```
SELECT MODE
EXPLORE ↑↓
```

SCROLL UP or SCROLL DOWN to select

```
SELECT MODE
SKY TOUR ↑↓
```

Press ENTER.

This mode will take you through the best and brightest objects for each month. If you have done the ALIGN EARTH alignment and entered the date, it will automatically take you to the current month. Don't know what some of these obscure objects and abbreviations mean? Just press the ENTER key for more information.

Press the BACK button until you get back to the main menu:

```
SELECT MODE
SKY TOUR ↑↓
```

SCROLL UP or SCROLL DOWN until the display reads:

```
SELECT MODE
IDENTIFY ↑↓
```

PRESS ENTER

This mode will default to the level

```
IDENTIFY ANY
```

By selecting this option with the ENTER key, it will IDENTIFY the object that you are currently viewing OR the closest object to where your telescope is currently pointed. You also have the options to choose other types of IDENTIFY menus. These will IDENTIFY the closest CLUSTERS, NEBULAS, etc. to your current telescope position.

To select the final mode press ENTER at the display:

```
SELECT MODE
TELESCOPE ↑↓
```

The display reads something like:

```
RA18:53 DEC+38.7
AZ280 ALT+62 LYR
```

The TELESCOPE mode gives you dynamic real-time information on your telescope's current position in terms of astronomical coordinates. Play around with this mode by moving the telescope around. Notice the three letter abbreviation in the lower right portion of the display. This dynamically displays the current CONSTELLATION that the telescope is pointing at. These names are abbreviated in this mode. Definitions for the abbreviations will be in the catalog index.

WARRANTY / REPAIR

TELESCOPE LIFETIME LIMITED WARRANTY*

Your Bushnell® telescope is warranted to be free of defects in materials and workmanship for the lifetime of the original owner. The Lifetime Limited Warranty is an expression of our confidence in the materials and mechanical workmanship of our products and is your assurance of a lifetime of dependable service.

If your telescope contains electrical components, these components are warranted to be free of defects in materials and workmanship for two years after the date of purchase.

In the event of a defect under this warranty, we will, at our option, repair or replace the product, provided that you return the product postage prepaid. This warranty does not cover damages caused by misuse, improper handling, installation, or maintenance provided by someone other than a Bushnell Authorized Service Department.

Any return made under this warranty must be accompanied by the items listed below:

- 1) A check/money order in the amount of \$15.00 to cover the cost of postage and handling
- 2) Name and address for product return
- 3) An explanation of the defect
- 4) Proof of Date Purchased
- 5) Product should be well packed in a sturdy outside shipping carton, to prevent damage in transit, with return postage prepaid to the address listed below:

IN U.S.A. SEND TO:

Bushnell Performance Optics
Attn.: Repairs
8500 Marshall Drive
Lenexa, Kansas 66214

IN CANADA SEND TO:

Bushnell Performance Optics
Attn.: Repairs
25A East Pearce Street, Unit 1
Richmond Hill, Ontario L4B 2M9

For products purchased outside the United States or Canada please contact your local dealer for applicable warranty information. In Europe you may also contact Bushnell at: 33 141 44 94 80

Bushnell Performance Optics Service Centre
Columbusstraat 25
3165 AC Rotterdam
The Netherlands

This warranty gives you specific legal rights.
You may have other rights which vary from country to country.

©2002 Bushnell Corporation

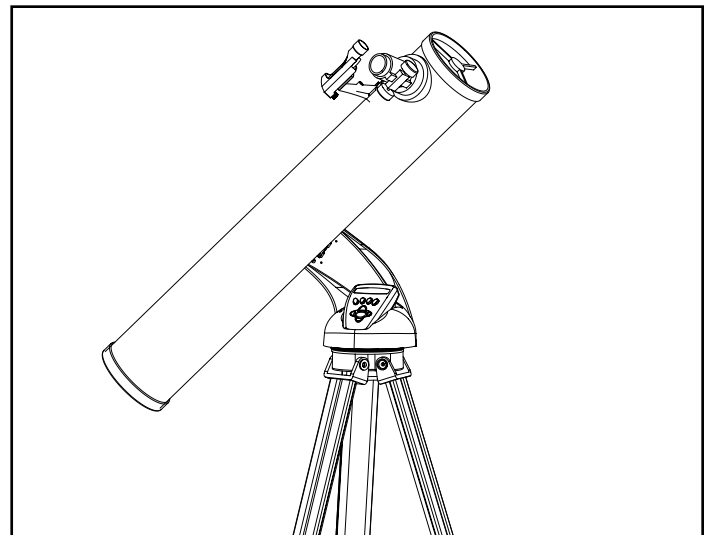
Bushnell®

AVEC SORTIE REALVOICE™

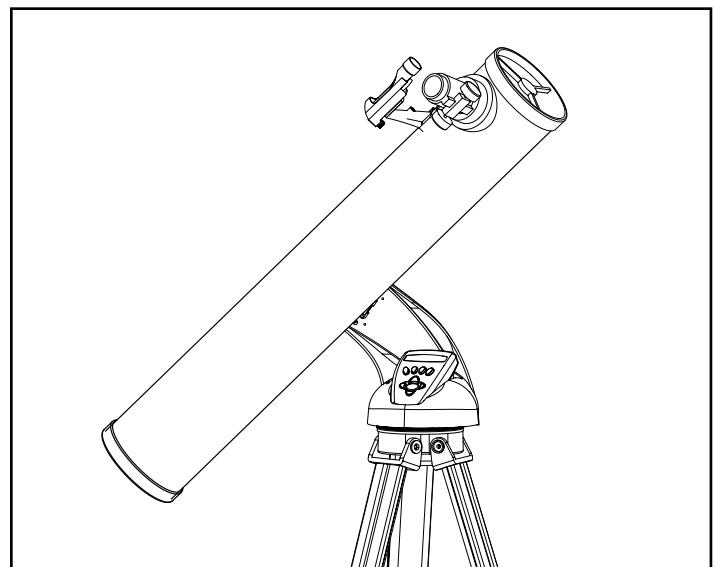


MANUEL
D'INSTRUCTIONS

78-8831 76mm Reflectors



78-8846 114mm Reflectors



Merci d'avoir acheté le télescope Northstar Goto avec sortie Real Voice de Bushnell ! C'est le premier télescope jamais créé qui vous parle et vous informe sur le ciel nocturne. Cette fonction peut être considérée comme votre assistant personnel en astronomie.

Après avoir lu ce manuel et vous être préparé à votre séance d'observation comme il est décrit dans ces pages, vous pouvez commencer à profiter de la fonction de sortie Real Voice en procédant comme suit :

Pour activer votre télescope, il suffit de le mettre en marche ! La fonction de sortie Real Voice est intégrée à la télécommande manuelle.

Au cours du processus d'alignement, la voix du télescope fournit divers commentaires utiles. Une fois le télescope aligné, la fonction de sortie Real Voice montre tous ses talents chaque fois que vous appuyez sur la touche d'entrée, lorsqu'un nombre ou le nom d'un objet apparaît à la partie inférieure droite de l'écran de visualisation à cristaux liquides. La voix vous décrit l'objet à mesure que vous suivez le texte déroulant sur l'écran.

Si, à un moment quel qu'il soit, vous voulez supprimer la voix, vous pouvez le faire en appuyant sur le bouton "Back" (arrière) du clavier de la télécommande.

Nous espérons sincèrement que ce télescope vous divertira pendant les années à venir !



NE REGARDEZ JAMAIS DIRECTEMENT LE SOLEIL
DANS LE TÉLESCOPE.
RISQUE DE LÉSIONS OCULAIRES PERMANENTES



Votre télescope de Bushnell peut révéler à vos yeux les merveilles de l'univers. Bien que ce manuel soit conçu pour vous aider à installer et à utiliser cet instrument simplement, il ne couvre pas tout ce que vous aimeriez savoir sur l'astronomie. Même si Northstar donne une bonne vue d'ensemble du ciel nocturne, il est recommandé de se procurer une carte très simple des étoiles et une lampe de poche avec une ampoule rouge ou recouverte de cellophane rouge à l'extrémité. Pour les objets autres que les étoiles et constellations, il est nécessaire d'avoir un guide de base d'astronomie. Vous trouverez les sources recommandées sur notre site Internet à : www.bushnell.com. Vous y trouverez également les événements du ciel actuels et les suggestions d'observation. Mais, parmi les éléments principaux que vous pouvez voir, il y a :

La Lune—Une vue magnifique de notre voisine s'obtient à n'importe quel grossissement. Essayez d'observer ses différentes phases. Les montagnes lunaires, les mers lunaires (étendues basses ainsi appelées à cause de leur couleur sombre), les cratères, les crêtes vous étonneront.

Saturne—Même au grossissement le plus faible, vous devriez pouvoir voir ses anneaux et ses lunes. C'est l'un des objets les plus intéressants du ciel à observer car il ressemble vraiment à sa représentation sur les images. Imaginez que vous pouvez voir depuis votre jardin ce que vous avez vu dans des livres ou sur des images de la NASA !

Jupiter—La planète la plus grosse de notre système solaire est spectaculaire. Ses traits caractéristiques sont ses rayures ou bandes sombres au-dessus et au-dessous de son équateur. Ce sont les ceintures équatoriales du nord et du sud. Les quatre lunes principales de Jupiter sont aussi intéressantes. Remarquez leurs différentes positions une nuit après l'autre. Elles semblent alignées de chaque côté de Jupiter.

Mars—La grande planète rouge apparaît comme un disque rouge orangé. Observez-la à différents moments de l'année pour essayer d'apercevoir les chapeaux de glace polaire blancs.

Vénus—Tout comme la Lune, Vénus change de phases d'un mois à l'autre. Par moments, elle est très brillante dans le ciel nocturne, comme si l'on regardait une lune en croissant distante.

Nébuleuses—La grande nébuleuse d'Orion est un objet très connu du ciel nocturne. Vous pourrez voir celle-ci et bien d'autres grâce à ce télescope.

Amas d'étoiles—Regardez des millions d'étoiles groupées de manière dense en un amas qui ressemble à une boule.

Galaxies—L'une des galaxies les plus grandes et les plus intéressantes est notre voisine la galaxie d'Andromède. Vous l'aimerez ainsi que bien d'autres.

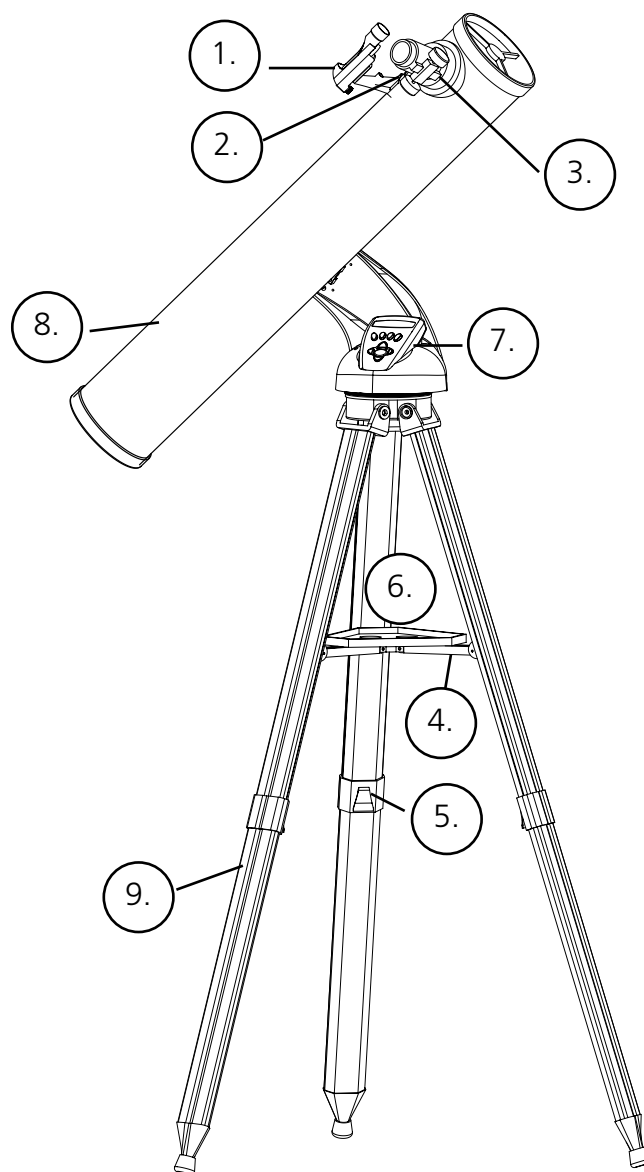
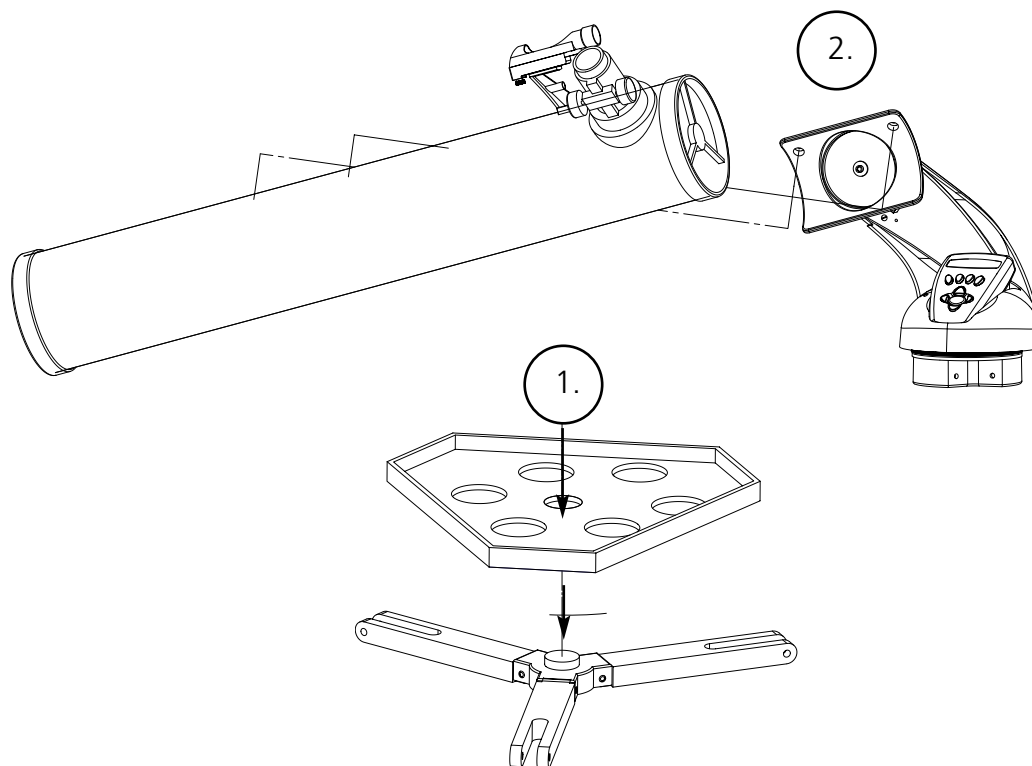


SCHÉMA ET LÉGENDES DU TÉLESCOPE

- | | |
|---------------------------------------------------|------------------------------------------------------|
| 1. Chercheur à point rouge | 6. Plateau d'accessoire à ouverture rapide |
| 2. Oculaire de 20 mm, diamètre 31,75 mm (1,25 po) | 7. Contrôleur d'ordinateur à distance |
| 3. Mécanisme de mise au point à crémaillère | 8. Tube de télescope principal |
| 4. Renfort de plateau d'accessoire | 9. Trépied en aluminium réglable, à ouverture rapide |
| 5. Levier de trépied à ouverture rapide | |



LISTE DES PIÈCES

- Ensemble de trépied en aluminium réglable
(Pré-assemblé à la base du dispositif de repérage d'étoiles informatisé Northstar)
- Plateau d'accessoire à ouverture rapide
- Northstar Telescope with finger attachment nuts
- Chercheur à point rouge
- Oculaire de 20 mm, diamètre 31,75 mm (1,25 po)
- Oculaire de 4 mm, diamètre 31,75 mm (1,25 po)
- Oculaire Barlow

ASSEMBLAGE DÉTAILLÉ

Aucun outil n'est nécessaire pour l'assemblage du télescope.

Sortez toutes les pièces du carton et identifiez-les. Avant de faire l'assemblage, il est conseillé de poser toutes les pièces devant soi. Le télescope étant un système optique de précision, veuillez manipuler les pièces avec précaution : en particulier l'ordinateur intégré, le télescope, les oculaires et les diverses lentilles accessoires.

MISE EN PLACE DU TRÉPIED ET DU PLATEAU D'ACCESSOIRE

1. Mettez debout l'ensemble du dispositif de repérage d'étoiles informatisé Northstar et les pieds de trépied attachés. Écartez les pieds de trépied à une distance confortable.
2. Abaissez les renforts du plateau d'accessoire et placez le plateau d'accessoire à ouverture rapide au-dessus des renforts. (Reportez-vous au schéma d'assemblage rapide).
3. Tournez le plateau d'accessoire jusqu'à ce qu'il s'enclenche avec un déclic.
4. Réglez la hauteur du trépied en actionnant le levier des pieds et en écartant les pieds pour obtenir la hauteur souhaitée. Resserrez le levier en position fermée une fois le réglage terminé.

FIXATION DU TUBE DU TÉLESCOPE

1. Trouvez le tube principal du télescope.
2. Retirez les écrous à oreilles du côté du tube du télescope. (Reportez-vous au schéma d'assemblage rapide).
3. Faites passer les boulons de fixation du tube principal du télescope à travers le support du tube du télescope, en haut de l'ensemble du dispositif de repérage d'étoiles informatisé Northstar. Vérifiez que le télescope est dirigé dans la bonne direction. (Le logo situé sur le tube du télescope doit être droit en haut).
4. Une fois que le tube principal du télescope et l'ensemble du dispositif de repérage d'étoiles informatisé Northstar sont assemblés l'un à l'autre, fixez les écrous à oreilles aux boulons de fixation du tube principal du télescope.

FIXATION DU RESTE DES ACCESSOIRES DU TÉLESCOPE

1. Trouvez le chercheur à point rouge.

Pour les télescopes à réflecteur: Retirez les écrous de fixation du chercheur du tube principal du télescope. Placez le chercheur par-dessus les boulons de fixation et reposez les écrous à oreilles du chercheur sur les boulons de fixation.

Remarque: La grande extrémité du chercheur doit être en face de l'extrémité ouverte du tube du télescope.

2. Fixez l'oculaire à faible grossissement.

Pour les modèles de télescopes à réflecteur: Insérez l'oculaire à grossissement le plus faible dans le mécanisme de mise au point en dévissant la vis de serrage d'oculaire et en poussant l'oculaire à fond.

3. Vissez toutes les vis de serrage pour fixer les accessoires.
4. Retirez le cache-poussière de l'objectif pour exposer toute l'extrémité ouverte du télescope.

ASSEMBLAGE DÉTAILLÉ

CHOIX D'UN OCULAIRE

Il est recommandé de toujours commencer l'observation avec l'oculaire au grossissement le plus faible, dans ce cas, la lentille de 20 mm. Remarque : le grossissement de base de chaque oculaire est déterminé par la longueur focale de l'objectif du télescope. Il existe une formule servant à déterminer le grossissement de chaque oculaire : Longueur focale de l'OBJECTIF du télescope divisée par la longueur focale de l'OCULAIRE = GROSSISSEMENT (ex. : en utilisant une lentille de 20 mm, le calcul serait : $750 \text{ mm} / 20 = 38 \text{ x}$ ou grossissement de 38 fois. La longueur focale varie suivant les modèles de télescopes).

Un oculaire Barlow est inclus avec ce télescope. Les oculaires Barlow servent à doubler ou à tripler le grossissement du télescope. Placez l'oculaire Barlow entre le tube de mise au point et l'oculaire. Dans l'exemple ci-dessus, l'oculaire Barlow de 3x donnerait un grossissement total de 114 x ou 114 fois. ($38 \times 3 = 114 \text{ x}$ ou 114 fois). Le calcul du grossissement serait : $750 \text{ mm} / 20 \text{ mm} = 38 \text{ fois}$. $38 \text{ fois} \times 3 = 114 \text{ fois}$.

MISE AU POINT DU TÉLESCOPE

1. Après avoir mis en place l'oculaire choisi, dirigez le tube principal du télescope sur une cible terrestre située à une distance d'au moins 200 mètres (poteau téléphonique ou bâtiment, par exemple).
2. Tournez le mécanisme de mise au point à crémaillère pour allonger entièrement le tube de mise au point.
3. Tout en regardant dans l'oculaire choisi (celui de 20 mm dans ce cas), rétractez lentement le tube de mise au point en tournant le mécanisme de mise au point à crémaillère jusqu'à ce que l'objet soit net.

FIXEZ LE CONTRÔLEUR D'ORDINATEUR À DISTANCE ET LA PILE.

1. Trouvez le contrôleur d'ordinateur à distance et le cordon spiralé.
2. Trouvez le couvercle de compartiment de pile sur la base du dispositif de repérage d'étoiles informatisé Northstar.
3. Enlevez le couvercle du compartiment de pile et placez-y une pile de 9 V.
4. Remettez le couvercle en place sur le compartiment.
5. Fixez le contrôleur d'ordinateur à distance avec le cordon spiralé sur la base du dispositif de repérage d'étoiles informatisé Northstar.

ALIGNEMENT DU CHERCHEUR

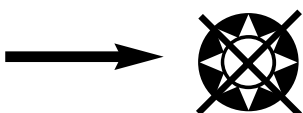
Regardez dans le tube principal du télescope et établissez une cible bien définie. (Reportez-vous à la section de mise au point du télescope).

Retirez l'isolateur en plastique se trouvant entre la pile du chercheur à point rouge et le clip de pile.

Activez le chercheur à point rouge.

En regardant dans le chercheur à point rouge, tournez les molettes de réglage jusqu'à ce que le point rouge soit centré précisément sur l'objet déjà centré dans le champ du tube principal du télescope..

Désormais, les objets repérés d'abord à l'aide du chercheur à point rouge seront centrés dans le champ du tube principal du télescope.



NE REGARDEZ JAMAIS DIRECTEMENT LE SOLEIL
DANS LE TÉLESCOPE.
RISQUE DE LÉSIONS OCULAIRES PERMANENTES

POUR PROFITER DE VOTRE NOUVEAU TÉLESCOPE

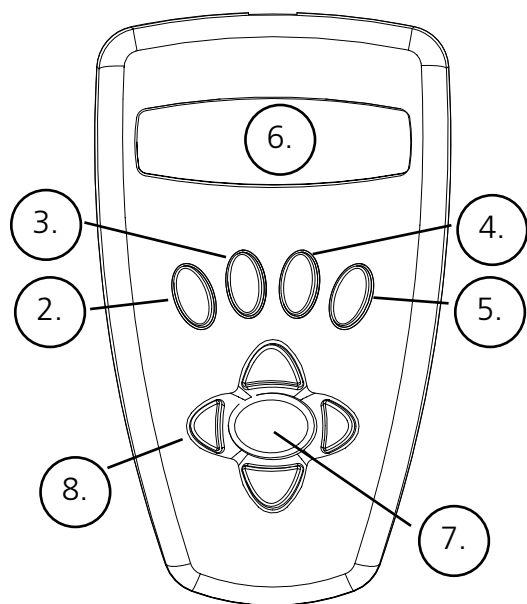
1. Déterminez d'abord l'objet à observer. N'importe quel objet brillant du ciel nocturne est un bon point de départ. L'un des points de départ préférés en astronomie est la Lune. C'est un objet intéressant pour l'astronome débutant aussi bien que pour les astronomes expérimentés. Lorsque vous vous êtes exercés à ce niveau, d'autres objets deviennent de bonnes cibles. Saturne, Mars, Jupiter et Vénus sont intéressantes en seconde étape.
2. La première chose que vous devez faire après l'assemblage du télescope comme prévu est de centrer l'objet choisi dans la croisée de fils du chercheur. À condition que vous ayez suffisamment bien aligné le chercheur, un coup d'œil rapide dans le tube principal du télescope à faible grossissement doit révéler la même image. Avec l'oculaire de plus faible grossissement (celui qui a le nombre le plus grand inscrit dessus), vous devriez pouvoir mettre au point la même image que celle que vous avez vue dans le chercheur. Évitez la tentation de passer directement au grossissement le plus fort. L'oculaire de faible grossissement donne une plus grande largeur de champ et une image plus brillante, ce qui facilite le repérage de l'objet cible. À ce moment, avec une image mise au point dans les deux lunettes, vous avez franchi le premier obstacle. Si vous ne voyez pas d'image après avoir essayé de la mettre au point, pensez à aligner de nouveau le chercheur. Une fois cette opération effectuée, vous pourrez apprécier le temps passé pour obtenir un alignement correct. Chaque objet que vous centrerez dans le chercheur apparaîtra facilement dans le tube principal du télescope, ce qui est important pour continuer l'exploration du ciel nocturne.
3. Les oculaires de faible grossissement sont parfaits pour observer la pleine lune, les planètes, les amas d'étoiles, les nébuleuses et même les constellations. Ces objets constituent votre base. Toutefois, pour voir plus de détails, essayez d'utiliser des oculaires à plus fort grossissement sur certains de ces objets. Durant les nuits calmes et vives, la ligne de séparation des parties éclairée et obscure de la Lune (appelée « Termineur ») est merveilleuse à fort grossissement. Les montagnes, crêtes et cratères paraissent avec un fort relief à cause de la mise en lumière. De manière similaire, vous pouvez utiliser de plus forts grossissements sur les planètes et nébuleuses. Quant aux amas d'étoiles et aux étoiles individuelles, la meilleure observation s'effectue toujours à faible grossissement.
4. Le théâtre astronomique renouvelé que nous appelons le ciel nocturne est un écran géant toujours changeant. Autrement dit, ce n'est pas toujours le même film qui repasse. Bien au contraire, les positions des étoiles changent non seulement d'heure en heure alors qu'elles semblent se lever et se coucher, mais aussi tout au long de l'année. À mesure que la Terre tourne autour du Soleil, notre vue des étoiles change sur un cycle annuel, selon cette orbite. La raison pour laquelle le ciel semble se déplacer chaque jour, tout comme le Soleil et la Lune « se déplacent » dans le ciel, c'est que la Terre tourne autour de son axe. C'est ainsi que vous pouvez remarquer qu'au bout de quelques minutes ou quelques secondes, suivant le grossissement utilisé, les objets se déplacent dans le télescope. Aux forts grossissements surtout, vous remarquerez que la Lune ou Jupiter « courent » et sortent du champ rapidement. Pour compenser, déplacez simplement le télescope pour qu'il suive sa trajectoire.

CONSEILS UTILES

1. Le télescope est un instrument très sensible. Pour obtenir les meilleurs résultats et le moins de vibrations, installez le télescope sur un endroit plat, sur le sol plutôt que sur une surface en béton ou une plate-forme en bois. Cela fournira une base plus stable pour l'observation, surtout si votre nouveau télescope a attiré une foule.
2. Si possible, observez à partir d'un endroit comportant relativement peu de lumière. Vous pourrez ainsi voir des objets d'une luminosité plus faible. Vous serez surpris(e) de constater que vous pouvez voir bien plus d'objets célestes à partir d'un lac ou d'un parc local qu'à partir d'un jardin situé en ville.
3. Il n'est JAMAIS recommandé d'observer avec le télescope à partir d'une fenêtre.
4. Autant que possible, observez les objets qui sont hauts dans le ciel. Attendez que l'objet monte bien au-dessus de l'horizon pour obtenir une image plus brillante et plus nette. Les objets situés à l'horizon sont aperçus à travers plusieurs couches de l'atmosphère terrestre. Vous êtes-vous jamais demandé pourquoi la Lune paraît orange lorsqu'elle se couche à l'horizon ? C'est parce que vous la regardez à travers une quantité d'atmosphère bien plus grande qu'il n'y en a directement au-dessus. (Remarque : Si les objets hauts dans le ciel paraissent déformés ou ondulés, la nuit est probablement très humide). Durant les nuits où l'atmosphère est instable, l'observation avec un télescope peut être difficile sinon impossible. Les astronomes parlent des nuits vives et claires comme des nuits de « bonne observation ».

SCHÉMA D'INTERFACE DE L'ORDINATEUR NORTHSTAR

1. Bouton marche/arrêt
(sur la base du dispositif Northstar)
2. Bouton de retour arrière
3. Bouton d'entrée
4. Bouton de défilement vers le haut
5. Bouton de défilement vers le bas
6. Affichage à cristaux liquides
7. Bouton « GO » (Aller)
8. Boutons (4) de commande du mouvement motorisé
9. Couvercle de compartiment de pile
(sur la base du dispositif Northstar)



FONCTIONS À BOUTONS TOUS LES BOUTONS SONT LUMINEUX POUR L'UTILISATION NOCTURNE

Bouton marche/arrêt: Le bouton marche/arrêt sert à activer et à désactiver le dispositif de repérage d'étoiles informatisé Northstar. Il clignote ou émet des éclairs durant l'utilisation normale. Pour désactiver, il suffit de maintenir le bouton marche/arrêt enfoncé pendant trois secondes et de le relâcher. (Remarque : Le dispositif de repérage d'étoiles informatisé Northstar se désactive automatiquement au bout de 10 minutes d'inactivité).

Bouton de retour arrière: Il permet de naviguer jusqu'au niveau précédent dans le cadre des fonctions et/ou de revenir au niveau précédent d'entrée. De même, si, à un moment quel qu'il soit, vous voulez supprimer la voix, vous pouvez le faire en appuyant sur le bouton "Back" (arrière) du clavier de la télécommande.

Bouton d'entrée: Il permet de choisir certains articles de menu ; quand vous appuyez dessus, Northstar avance au niveau choisi. Lorsqu'un nombre ou un nom d'objet apparaît sur l'écran, vous pouvez appuyer sur ce bouton pour entendre la voix décrire et afficher le texte déroulant de la description de l'objet.

Bouton de défilement vers le haut: Il permet de faire défiler vers le haut dans les divers menus de Northstar. Chaque fois que vous rencontrez une option de texte/nombre qui clignote, une pression sur le bouton de défilement affichera les divers choix dans ce menu. (Remarque : Pour sélectionner une option jusqu'à laquelle vous avez fait défiler, appuyez simplement sur le bouton Enter (Entrée)).

Bouton de défilement vers le bas: Il permet de faire défiler vers le bas dans les divers menus de Northstar. Chaque fois que vous rencontrez une option de texte/nombre qui clignote, une pression sur le bouton de défilement affichera les divers choix dans ce menu. (Remarque : Pour sélectionner une option jusqu'à laquelle vous avez fait défiler, appuyez simplement sur le bouton Enter (Entrée)).

Bouton « GO » (Aller): Il sert à centrer automatiquement n'importe quel objet qui apparaît sur l'affichage à cristaux liquides. En appuyant sur ce bouton, le télescope cherche et suit automatiquement l'objet sélectionné jusqu'à ce qu'un autre objet soit sélectionné et que le bouton soit de nouveau enfoncé.

Boutons de commande du mouvement motorisé: Ces quatre boutons multidirectionnels permettent à l'utilisateur de contourner le système de poursuite et de déplacer le télescope, par commande manuelle des moteurs, vers un autre emplacement souhaité. Plus la durée de pression sur ces boutons est longue, plus le dispositif Northstar se déplace rapidement, jusqu'à atteindre sa vitesse maximum.

AFFICHAGE À CRISTAUX LIQUIDES

L'affichage à cristaux liquides comporte deux lignes de seize caractères. Il est lumineux pour l'observation nocturne, tout comme les boutons.

GÉNÉRALITÉS SUR LES MODES DE L'INSTRUMENT

Exploration: Le mode Exploration de Northstar permet d'explorer les divers objets astronomiques classés par type d'objet. Ces objets se trouvent dans un ou plusieurs des types d'objets suivants : ciel lointain, planètes, constellations et étoiles. Chacun de ces sous-titres comporte aussi des sous-catégories d'objets sous la structure du menu. (Reportez-vous à l'arbre des menus pour obtenir la liste complète des fonctions et options de menus).

Tour du ciel: Le mode Tour du ciel de Northstar permet de faire un tour rapide des objets les plus brillants et les plus intéressants d'un mois donné de l'année. Si la date a été entrée dans le dispositif, le mode Tour du ciel passera automatiquement à ce mois. Choisissez les objets en appuyant sur les flèches de défilement vers le haut ou vers le bas puis sur le bouton d'entrée. Pour obtenir davantage d'informations sur un objet quel qu'il soit, appuyez sur le bouton ENTER (ENTRÉE) pendant que cet objet est affiché afin de voir le texte déroulant.

Télescope: Le mode Télescope de Northstar fournit des données en temps réel sur l'objet sur lequel le télescope est dirigé. Les coordonnées astronomiques d'ascension droite (RA), de déclinaison (DEC), d'altitude (ALT) et d'azimut (AZ) sont affichées simultanément. De plus, l'abréviation du nom de la constellation sur laquelle le télescope est dirigé apparaît dans le coin inférieur droit.

Identification: Le mode Identification de Northstar permet d'identifier n'importe quel objet se trouvant dans le champ du télescope. Des sous-catégories des différentes classes d'objets identifiables sont incluses ainsi qu'une option Identification quelconque.

Alignement de la Terre: Le mode Alignement de la Terre de Northstar permet d'aligner facilement le télescope à l'aide d'information simple que les personnes non-astronomes connaissent. En entrant des renseignements simples tels que l'heure, la date, la ville, etc., une personne qui utilise le télescope pour la première fois peut explorer, en quelques minutes, l'immense base de données d'objets astronomiques de Northstar.

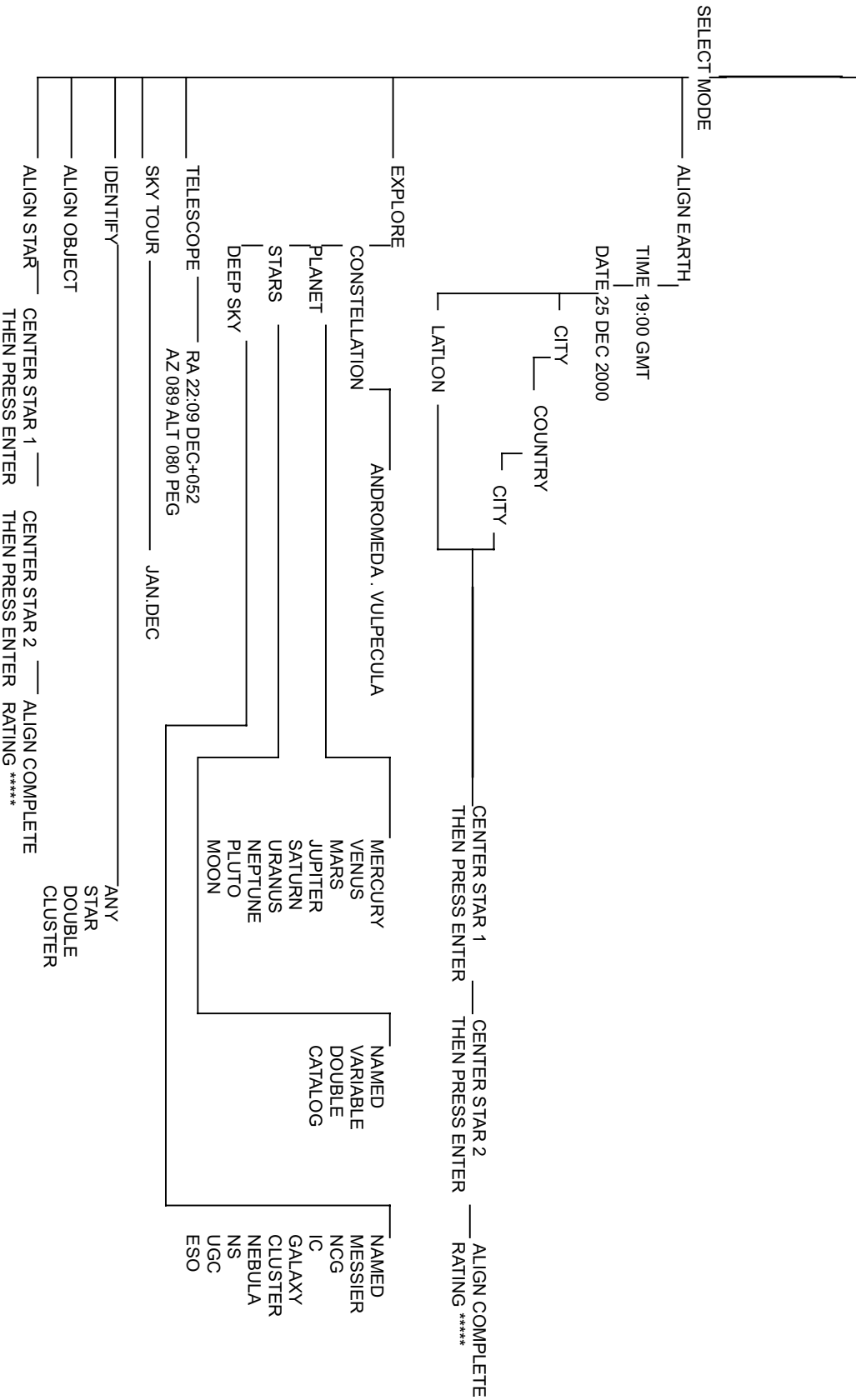
Alignement d'étoiles: Le mode Alignement d'étoiles de Northstar permet d'aligner le télescope en utilisant une certaine connaissance astronomique. En sachant où deux étoiles se trouvent dans le ciel, un utilisateur novice peut contourner l'entrée de la ville, de la date et de l'heure et commencer à utiliser rapidement la base de données de Northstar pour repérer d'étonnants objets célestes.

Alignement d'objets: Le mode Alignement d'objets de Northstar permet de préciser l'alignement du télescope durant la séance d'observation. Cela peut être très utile si le chien de la famille vient juste de bousculer le télescope qui se trouve désaligné. À l'aide de ce mode, vous pouvez centrer le télescope sur n'importe quel objet connu et choisir le mode Alignement d'objet pour recalibrer rapidement l'alignement de Northstar et continuer à observer le reste de la soirée.

ARBRE DES MENUS

BUSHNELL NORTHSTAR COMPUTER MENU STRUCTURE (For Step-By-Step Easy Use Refer to Quick Reference Guide)

WELCOME TO BUSHNELL NORTHSTAR



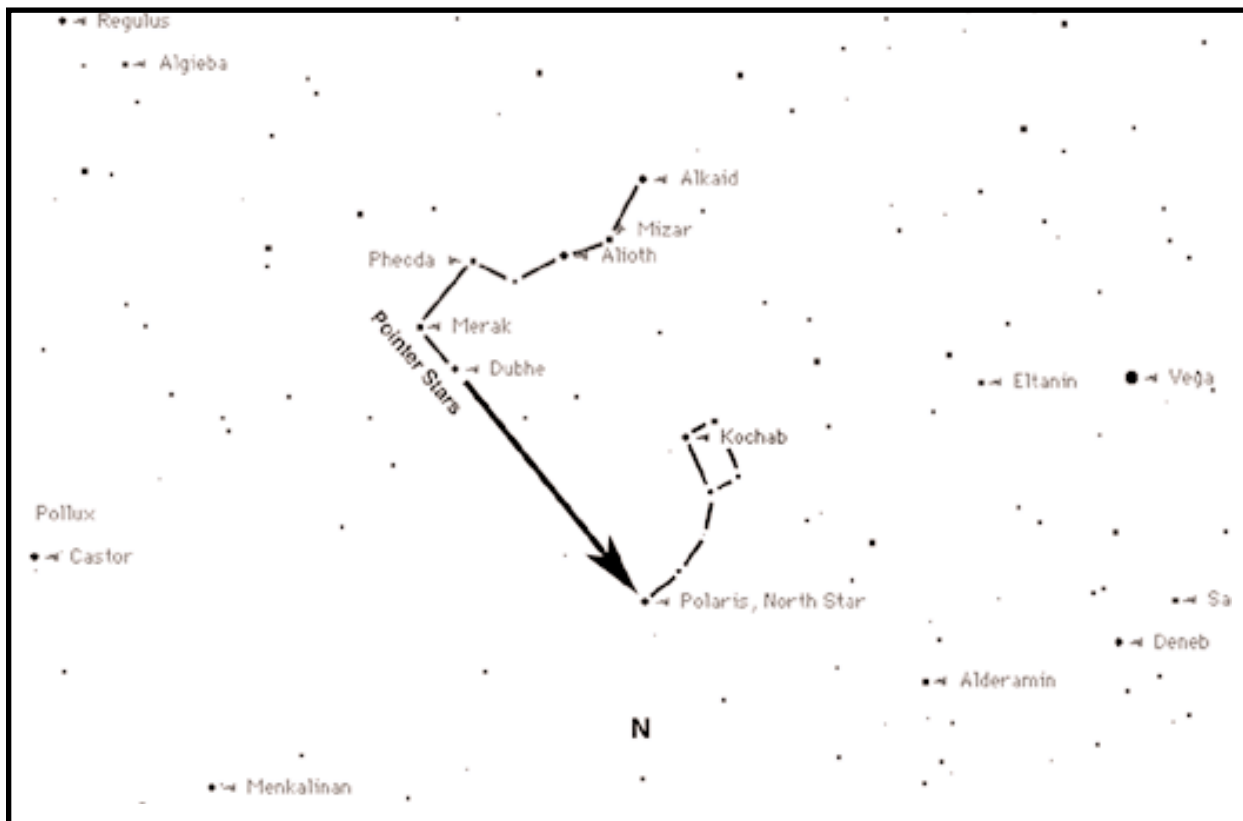
ALIGNEMENT DE NORTHSTAR POUR LA PREMIÈRE FOIS

(REMARQUE: Assurez-vous de placer le télescope sur une surface horizontale).

ÉTAPE 1 : POINTEZ VERS LE NORD.

Pointez le télescope vers le Nord.

REMARQUE: IL SUFFIT À L'UTILISATEUR DE POINTEZ LE TÉLESCOPE RELATIVEMENT PRÈS DU NORD. L'ALIGNEMENT SERA PRÉCISÉ À MESURE QUE NOUS PROGRESSONS. CEPENDANT, SI VOUS POUVEZ TROUVER LA GRANDE OURSE ET UTILISER LES ÉTOILES DU CHARIOT, SUIVEZ LA FLÈCHE DU SCHÉMA VERS L'ÉTOILE POLAIRE. ELLE EST DIRECTEMENT AU-DESSUS DU PÔLE NORD !



Lorsque vous activez le télescope, un message déroulant apparaît :

```
BUSHNELL NORTHSTAR Ux.x
```

À la suite de ce message, le télescope effectue une vérification de diagnostic et met le tube de niveau par rapport à la monture.

Puis le menu par défaut apparaît :

```
SELECT MODE (CHOISISSEZ LE MODE)  
ALIGN EARTH (+)(+) (ALIGNEMENT DE LA TERRE)
```

Ce mode présuppose que, même si l'utilisateur du télescope l'emploie pour la première fois et ne connaît rien à l'astronomie, il peut réussir à aligner le télescope en quelques opérations simples.

L'option ALIGN EARTH (ALIGNEMENT DE LA TERRE) clignote.

Appuyez sur ENTER (ENTRÉE) pour choisir l'option ALIGN EARTH.

REMARQUE: TOUT ARTICLE DE L'AFFICHAGE QUI CLIGNOTE EST UN CHOIX DE MENU. D'AUTRES CHOIX SONT DISPONIBLES EN UTILISANT LES BOUTONS DE DÉFILEMENT VERS LE HAUT OU VERS LE BAS.

ALIGNEMENT DE NORTHSTAR POUR LA PREMIÈRE FOIS

ÉTAPE 2: RÉGLEZ L'HEURE.

En utilisant les boutons de DÉFILEMENT VERS LE HAUT, DÉFILEMENT VERS LE BAS et ENTER (ENTRÉE), il est possible de régler facilement l'heure et la zone horaire. Chaque option qui clignote doit être changée et indiquer le chiffre approprié. Une fois que le chiffre approprié est affiché, acceptez-le en appuyant sur ENTER (ENTRÉE). Réglez alors l'option suivante qui clignote jusqu'à ce que l'heure et la zone horaire soient enregistrées.

ÉTAPE 3: RÉGLEZ LA DATE.

De même, en utilisant les boutons de DÉFILEMENT VERS LE HAUT, DÉFILEMENT VERS LE BAS et ENTER (ENTRÉE), il est facile de régler la date. Chaque option qui clignote doit être changée et indiquer le chiffre ou le mois approprié. Une fois que le chiffre approprié est affiché, acceptez-le en appuyant sur ENTER. Réglez alors l'option suivante qui clignote jusqu'à ce que le jour, le mois et l'année soient enregistrés.

ÉTAPE 4: RÉGLEZ LE LIEU.

L'écran suivant affiche :

```
ALIGN EARTH (ALIGNEMENT DE LA TERRE)  
CITY ++ (VILLE)
```

CITY (VILLE) clignote. En appuyant sur le bouton ENTER (ENTRÉE), l'affichage devient :

```
COUNTRY (PAYS)  
U.S.A. ++ (ÉTATS-UNIS)
```

Le pays clignote.

En utilisant de nouveau les boutons de DÉFILEMENT VERS LE HAUT, DÉFILEMENT VERS LE BAS et ENTER, le COUNTRY (PAYS) peut être choisi. Lorsque vous avez trouvé le pays approprié et appuyé sur le bouton ENTER, choisissez la ville la plus proche en appuyant sur ENTER quand elle est affichée.

REMARQUE: CHOISISSEZ LA VILLE LA PLUS PROCHE DE VOTRE LIEU D'OBSERVATION. IL NE S'AGIT PAS D'UNE OPÉRATION ESSENTIELLE ET L'ALIGNEMENT PEUT ÊTRE RÉAJUSTÉ AUTOMATIQUEMENT À MESURE QUE NOUS PROGRESSONS.

Après avoir entré quatre critères simples que tout consommateur doit connaître, le télescope sait désormais où se trouvent plus de 20 000 objets astronomiques dans le ciel nocturne avec une précision relative. Encore deux étapes et vous obtiendrez une grande précision.

Le télescope va maintenant vous guider lors de l'alignement simple sur deux étoiles. VOUS N'AVEZ PAS BESOIN DE SAVOIR OÙ LES ÉTOILES SE TROUVENT. Suivez simplement les instructions.

Un message déroulant indique de CENTER STAR 1 (CENTRER L'ÉTOILE 1) puis d'appuyer sur ENTER (ENTRÉE). Puis l'affichage indique :

```
CENTER STAR 1  
+120 +52 MIZAR
```

Appuyez sur le bouton « GO » et le télescope se déplacera automatiquement vers le voisinage général de la première étoile guide -- dans ce cas MIZAR.

Les étoiles guides sont les plus brillantes dans cette région du ciel. Le dispositif Northstar met alors automatiquement l'étoile guide à zéro et l'affichage indique :

```
CENTER STAR 1  
0◊0 0◊0 MIZAR
```

Notez que lorsque vous vous éloignez d'un objet de plus de 10 degrés jusqu'à moins de 10 degrés, l'affichage change en dixièmes de degré, les flèches servant de décimale (exemple: 8+5 = 8,5 degrés sous l'objet).

ALIGNEMENT DE NORTHSTAR POUR LA PREMIÈRE FOIS

Après avoir ciblé l'étoile, vous devez faire ce qu'indique l'écran : CENTER STAR 1 (CENTRER L'ÉTOILE 1). Autrement dit, l'étoile peut apparaître dans le coin inférieur gauche de l'oculaire du télescope.

En regardant dans l'oculaire, centrez l'étoile dans le champ à l'aide des boutons de commande du mouvement motorisé ou déplacez le télescope à la main et appuyez sur ENTER (ENTRÉE).

La distance à laquelle l'objet se trouve du centre dépend de la distance à laquelle vous vous trouvez d'une ville ou de la précision de l'alignement sur le Nord.

Procédez de même pour STAR 2 (ÉTOILE 2) et appuyez sur ENTER (ENTRÉE).

Une fois cette étape accomplie, vous verrez un affichage qui indique :

```
ALIGN COMPLETE (ALIGNEMENT TERMINÉ)
RATING ***** (CLASSEMENT*****)
```

(Remarque: Plus il y a d'étoiles sur la seconde ligne de l'affichage, mieux c'est ; 5 au maximum).

Une fois l'alignement sur deux étoiles terminé, votre Northstar sait désormais avec une grande précision où se trouvent les plus de 20 000 objets !

UTILISATION DE NORTHSTAR POUR LA PREMIÈRE FOIS

Après EARTH ALIGN (ALIGNEMENT DE LA TERRE), l'affichage indique :

```
SELECT MODE (CHOISISSEZ LE MODE)
EXPLORE ↕ (EXPLORATION)
```

Choisissez EXPLORE (EXPLORATION) en appuyant sur ENTER (ENTRÉE). Utilisez les boutons de DÉFILEMENT VERS LE HAUT et VERS LE BAS pour voir les choix de menus qui clignotent. Choisissez PLANET (PLANÈTE). Ce sont les plus intéressantes. Même si vous utilisez le télescope pour la première fois, les PLANÈTES sont fascinantes.

Appuyez sur ENTER (ENTRÉE) quand l'affichage indique :

```
EXPLORE (EXPLORATION)
PLANET (PLANÈTE)
```

Ceci vous amène à la liste des objets appelés PLANÈTES. En utilisant les boutons de DÉFILEMENT VERS LE HAUT ou VERS LE BAS, vous pouvez explorer plusieurs objets de la liste.

```
PLANET (PLANÈTE)
JUPITER ↕ (JUPITER)
```

Appuyez sur ENTER (ENTRÉE) pour choisir la PLANET (PLANÈTE) que vous souhaitez observer. L'affichage indique alors :

```
PLANET (PLANÈTE)
+120 +52 JUPITER (JUPITER)
```

REMARQUE: SI UN OBJET SE TROUVE SOUS L'HORIZON, L'AFFICHAGE FAIT APPARAÎTRE PÉRIODIQUEMENT LE MOT « HORIZON ».

Utilisez les boutons de DÉFILEMENT VERS LE HAUT ou VERS LE BAS pour voir les autres PLANÈTES de la liste. Notez que l'affichage indique la direction de chaque objet. Et si l'utilisateur qui se sert du télescope pour la première fois souhaite en apprendre davantage sur un objet ? Ne serait-il pas intéressant de savoir ce qu'est l'objet avant de déplacer le télescope ?

Appuyez sur ENTER (ENTRÉE) quand :

```
PLANET (PLANÈTE)
+120 +52 JUPITER (JUPITER)
```

ou toute autre PLANET (PLANÈTE) est affichée. Un message déroulant indique alors les coordonnées de l'objet, sa luminosité, sa grosseur, son nom correct, la constellation dans laquelle il se trouve et en donne une brève description. Pour JUPITER il indique :

```
JUPITER fifth planet from sun. (JUPITER 5ème planète à partir du Soleil)
Largest planet in solar system. (La plus grande planète du système solaire)
16 moons. Orbit is 11.86 years. (16 lunes. Durée de l'orbite 11,86 années)
Diameter 143,000 km. Named for roman king of gods. (Diamètre 143 000 km. Son nom
est celui du roi des dieux romain.)
```

Imaginons maintenant que vous êtes un parent qui essaye d'épater ses enfants (ou vice versa). Au bout de dix minutes de votre première séance d'observation, vous êtes déjà en train d'apprendre l'astronomie. C'est un merveilleux outil éducatif !

Pour trouver l'objet, il suffit d'appuyer sur le bouton « GO » et l'objet doit apparaître dans l'oculaire du télescope !

À chaque pression du bouton BACK (RETOUR ARRIÈRE), vous revenez au niveau précédent. Appuyez trois fois sur le bouton pour revenir au menu du niveau principal. L'affichage indique :

```
SELECT MODE (CHOISISSEZ LE MODE)
EXPLORE ++ (EXPLORATION)
```

Utilisez les boutons de DÉFILEMENT VERS LE HAUT ou VERS LE BAS pour choisir

```
SELECT MODE (CHOISISSEZ LE MODE)
SKY TOUR ++ (TOUR DU CIEL)
```

Appuyez sur ENTER (ENTRÉE).

Ce mode vous emmène faire le tour des objets les plus intéressants et les plus brillants chaque mois. Si vous avez effectué ALIGN EARTH (ALIGNEMENT DE LA TERRE) et si la date a été enregistrée, le télescope passe automatiquement au mois en cours. Vous ne savez pas ce que sont certains de ces objets obscurs et ce que les abréviations signifient ? Il suffit d'appuyer sur ENTER (ENTRÉE) pour avoir plus de détails.

Appuyez sur le bouton BACK (RETOUR ARRIÈRE) pour revenir au menu principal :

```
SELECT MODE (CHOISISSEZ LE MODE)
SKY TOUR ++ (TOUR DU CIEL)
```

Utilisez les boutons de DÉFILEMENT VERS LE HAUT ou VERS LE BAS jusqu'à ce que l'affichage indique :

```
SELECT MODE (CHOISISSEZ LE MODE)
IDENTIFY ++ (IDENTIFICATION)
```

Appuyez sur ENTER (ENTRÉE).

Ce mode passe par défaut au niveau

```
IDENTIFY ANY (IDENTIFICATION QUELCONQUE)
```

Le choix de cette option à l'aide de la touche ENTER (ENTRÉE) permet d'identifier l'objet en cours d'observation ou l'objet le plus proche de l'endroit où le télescope est dirigé. Il existe aussi des options pour choisir d'autres types de menus IDENTIFY (IDENTIFICATION). Ceux-ci permettent d'identifier les amas d'étoiles, nébuleuses, etc. les plus proches de la position en cours du télescope.

Pour choisir le mode final, appuyez sur ENTER (ENTRÉE) à l'affichage :

SELECT MODE (CHOISISSEZ LE MODE)
TELESCOPE ↕ (TÉLESCOPE)

L'affichage indique approximativement :

RA18:53 DEC+38.7
AZ280 ALT+62 LYR

Le mode TELESCOPE (TÉLESCOPE) fournit des informations dynamiques en temps réel sur la position en cours de l'instrument, en coordonnées astronomiques. Il est possible de se familiariser avec ce mode en déplaçant le télescope. Notez l'abréviation à trois lettres à la partie inférieure droite de l'affichage. L'affichage indique de manière dynamique la CONSTELLATION vers laquelle le télescope est dirigé. Dans ce mode, ces noms sont abrégés. Les définitions des abréviations figurent à l'annexe.

GARANTIE/RÉPARATION

GARANTIE À VIE LIMITÉE du télescope

Votre télescope Bushnell® est garanti exempt de défauts de matériaux et de fabrication pendant la durée de vie de son premier propriétaire. La garantie à vie limitée traduit notre confiance dans les matériaux et l'exécution mécanique de nos produits et représente pour vous l'assurance de toute une vie de service fiable.

Si votre télescope contient des composants électriques, ces composants sont garantis exempts de défauts de matériaux et de fabrication pendant deux ans après la date d'achat.

Au cas où un défaut apparaîtrait sous cette garantie, nous nous réservons l'option de réparer ou de remplacer le produit, à condition de nous le renvoyer en port payé. La présente garantie ne couvre pas les dommages causés par une utilisation, une manipulation, une installation incorrecte(s) ou un entretien incorrect ou fourni par quelqu'un d'autre qu'un centre de réparation agréé par Bushnell.

Tout retour effectué dans le cadre de la présente garantie doit être accompagné des articles indiqués ci-dessous :

- 1) un chèque ou mandat d'une somme de 15,00 \$ US pour couvrir les frais d'envoi et de manutention
- 2) le nom et l'adresse pour le retour du produit
- 3) une description du défaut constaté
- 4) la preuve de la date d'achat
- 5) Le produit doit être emballé soigneusement, dans un carton d'expédition solide, pour éviter qu'il ne soit endommagé durant le transport ; envoyez-le en port payé, à l'adresse indiquée ci-dessous :

AUX ÉTATS-UNIS, ENVOYEZ À :

Bushnell Performance Optics
Attn.: Repairs
8500 Marshall Drive
Lenexa, Kansas 66214

AU CANADA, ENVOYEZ À :

Bushnell Performance Optics
Attn.: Repairs
25A East Pearce Street, Unit 1
Richmond Hill, Ontario L4B 2M9

Pour les produits achetés en dehors des États-Unis et du Canada, veuillez contacter votre distributeur local pour tous renseignements concernant la garantie. En Europe, vous pouvez aussi contacter Bushnell au : 33 141 44 94 80

Bushnell Performance Optics Service Centre
Columbusstraat 25
3165 AC Rotterdam
Pays-Bas

La présente garantie vous donne des droits légaux spécifiques.
Vous pouvez avoir d'autres droits qui varient selon les pays.

©2002 Bushnell Corporation

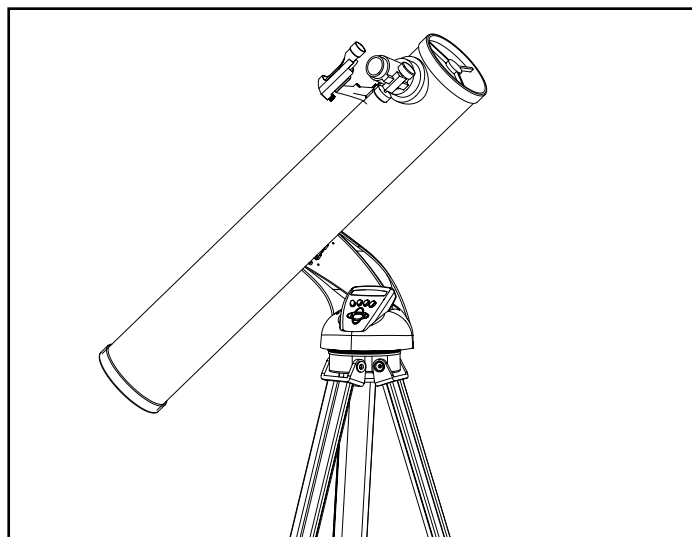
Bushnell®

CON SALIDA REALVOICE™

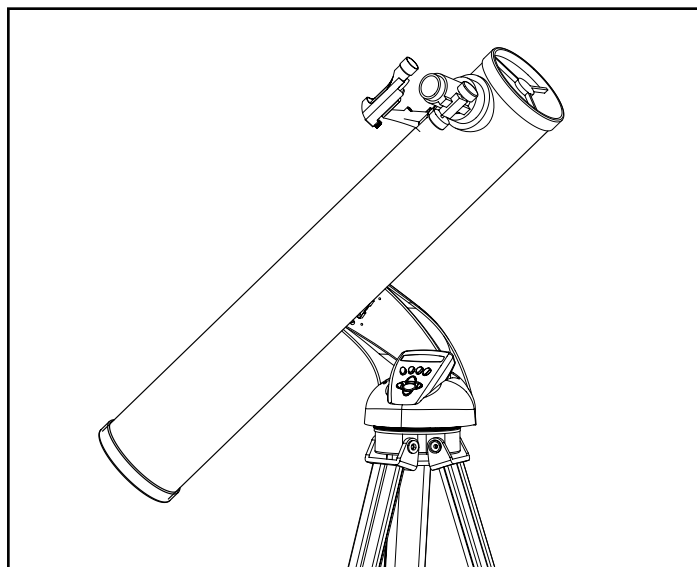


MANUAL DE
INSTRUCCIONES

78-8831 76mm Telescopio Reflector



78-8846 114mm Telescopio Reflector



¡Felicidades por la compra de su telescopio Bushnell Northstar Goto con Real Voice Output! Es el primer telescopio creado hasta la fecha que habla realmente para instruirle sobre el cielo nocturno. Considere esta característica como su asistente personal en astronomía.

Después de leer este manual y de prepararse para la sesión de observación siguiendo las indicaciones de estas páginas, puede empezar a disfrutar de la función Real Voice Output haciendo lo siguiente:

Para activar el telescopio, ¡sólo tiene que encenderlo! La función Real Voice Output está incorporada en el dispositivo de control remoto.

Mientras tanto, el telescopio hará comentarios muy útiles durante el proceso de alineamiento. Una vez alineado, la función Real Voice Output brillará de verdad siempre que se pulse la tecla de introducción cuando se visualice el nombre o el número de un objeto en la parte inferior derecha de la pantalla LCD. Escuchará una voz que le describirá ese objeto al tiempo que se mueve el texto en pantalla con la misma descripción.

Si en cualquier momento desea anular la función de habla, puede cancelarla pulsando el botón "Back" en el teclado del control remoto.

¡Esperamos sinceramente que disfrute de este telescopio durante muchos años!



No mire nunca directamente al Sol
con su telescopio



Podría causar un daño permanente en los ojos

Su telescopio Bushnell puede poner las maravillas del universo ante sus ojos. Si bien este manual trata de asistirle en el montaje y el uso básico de este instrumento, lo cierto es que no cubre todo lo que le gustaría saber sobre astronomía. Aunque el Northstar le proporcionará un viaje respetable por el cielo nocturno, le recomendamos que consiga una carta celeste muy simple y una linterna con bombilla roja o que esté cubierta con un papel de celofán rojo. Para ver otros objetos que no sean las estrellas y las constelaciones, es muy importante que tenga una guía básica de astronomía. Algunas de las fuentes recomendada aparecen en nuestro sitio Web en www.bushnell.com. También podrá ver en nuestro sitio Web los acontecimientos más recientes que se pueden ver en el firmamento. Pero, algunas de las cosas más destacadas que puede ver son:

La Luna—puede disfrutar con cualquier lente de aumento una vista maravillosa de nuestro vecino lunar. Trate de mirar cuando la Luna atraviese por diferentes fases. Las altiplanicies lunares, mares lunares (tierras bajas que se llaman "mares" por sus colores oscuros), los cráteres, las crestas y las montañas le dejarán atónito.

Saturno—hasta con una lente de baja potencia tiene que ser capaz de ver los anillos y las lunas de Saturno. Se trata de uno de los objetos celestes que podrá ver con mayor satisfacción en el cielo por la sencilla razón que tiene el mismo aspecto que en las fotografías. ¡Imagínese viendo la misma imagen que ha visto en los libros de texto o las fotografías de la NASA desde su propio jardín!

Júpiter—el planeta más grande de nuestro sistema solar es espectacular. Sus características más notables son las franjas o bandas oscuras que tiene por encima y por de bajo de su línea ecuatorial que reciben el nombre de cinturones ecuatoriales. También son muy interesantes las cuatro lunas principales de Júpiter. Preste atención a sus respectivas posiciones de una noche a otra. Da la impresión de que están alineadas en cualquiera de los lados de Júpiter

Marte—el gran planeta rojo aparece como si fuera un disco rojo-anaranjado. Obsérvelo en épocas diferentes del año y trate de vislumbrar sus casquetes polares helados y blancos.

Venus—igual que la Luna, Venus cambia de fase todos los meses. A veces Venus aparece brillante en el cielo nocturno, como si estuviera mirando a una luna distante en cuarto creciente.

Nebulosas—la nebulosa Gran Orión es uno de los objetos más conocidos del cielo nocturno. Esta nebulosa y muchas otras son visibles a través de este telescopio.

Cúmulos de estrellas—vista de millones de estrellas que forman cúmulos parecidos a una pelota.

Galaxias—Una de las galaxias más grandes e interesantes es nuestra vecina la galaxia Andrómeda. Puede disfrutar viendo esta galaxia y otras muchas.

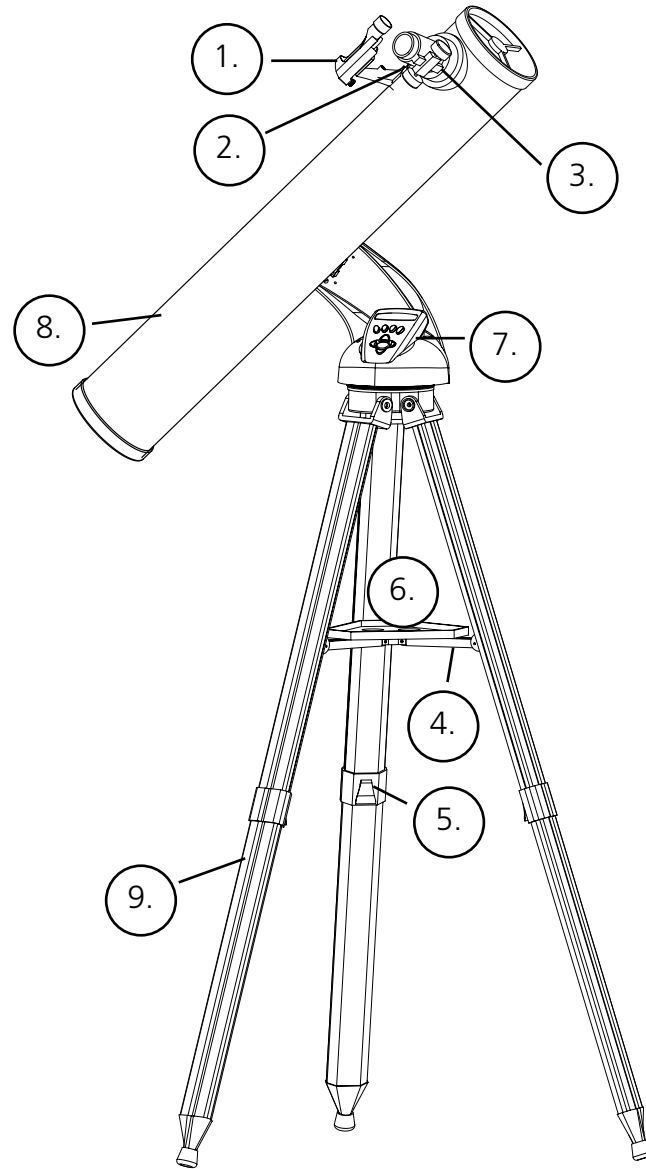
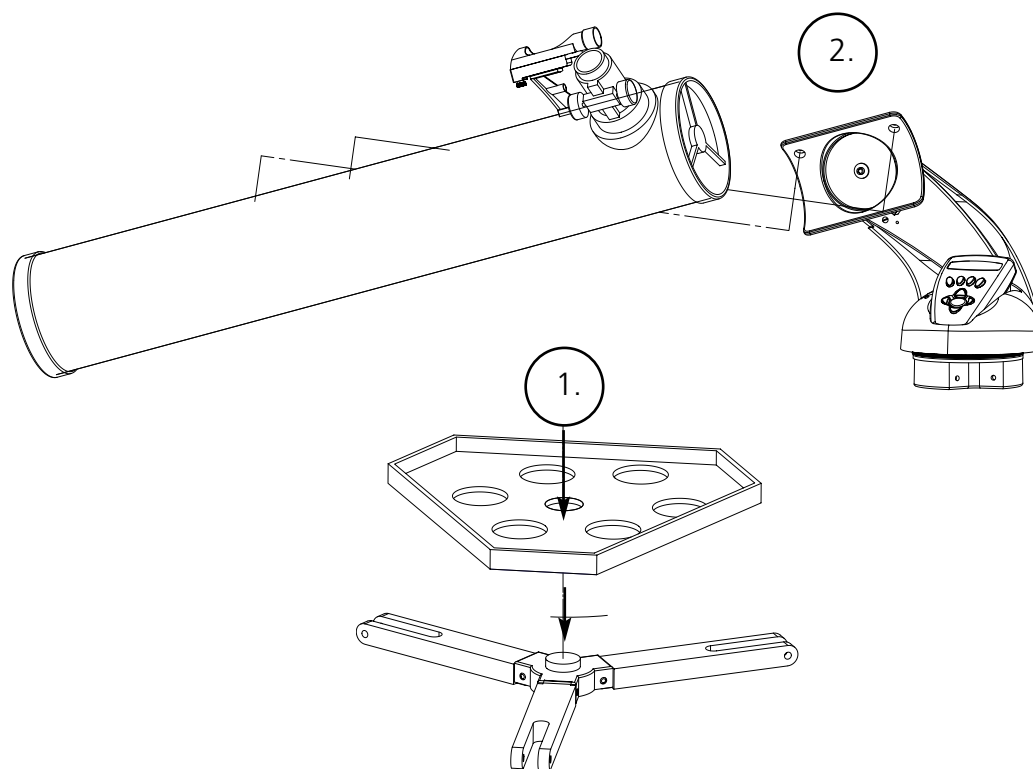


DIAGRAMA DE PRODUCTO DEL TELESCOPIO

- | | |
|------------------------------------------------------------------------|------------------------------------------------------------------------|
| 1. Lente buscadora de punto rojo | 6. Bandeja accesoria con dispositivo de desconexión rápida |
| 2. Ocular con formato 1.25" | 7. Controlador de ordenador (computador) remoto |
| 3. Mecanismo de enfoque de cremallera | 8. Tubo de telescopio principal |
| 4. Tirante accesorio de bandeja | 9. Trípode de aluminio ajustable con dispositivo de desconexión rápida |
| 5. Nivelador de patas de trípode con dispositivo de desconexión rápida | |



LISTA DE PIEZAS

- Conjunto de trípode de aluminio ajustable
(Base del Localizador de Estrellas Computerizado Northstar preensamblada)
- Bandeja accesoria con dispositivo de desconexión rápida
- Telescopio Northstar con tuercas que se aprietan a mano
- Lente buscadora de punto rojo
- Ocular de 20mm 1.25" de diámetro
- Ocular de 04mm 1.25" de diámetro
- Lente Barlow

MONTAJE DETALLADO

No se requieren herramientas para montar el telescopio.

Saque todos los componentes de la caja e identifíquelos. Es una buena idea extender todas las piezas a la vista antes de hacer el montaje. Como quiera que su telescopio es un sistema óptico de precisión, tiene que manejar las piezas con cuidado—particularmente el ordenador (computador) de abordo, el telescopio, los oculares y las diferentes lentes del accesorio.

MONTE EL TRÍPODE Y LA BANDEJA PARA ACCESORIOS

1. Coloque el conjunto de Localizador de Estrellas Computerizado Northstar y las patas de trípode en posición recta. Extienda las patas del trípode a una distancia confortable.
2. Pliegue hacia abajo los tirantes de la bandeja para accesorios y ponga la bandeja para accesorios de desconexión rápida encima de dichos tirantes. (Consulte el Diagrama de Montaje Rápido)
3. Gire la bandeja para accesorios hasta que quede bien encajada en su lugar.
4. Ajuste la altura de las patas del trípode debidamente abriendo la palanca de la pata del trípode y extendiendo las patas del trípode a la altura deseada. Fije la palanca de la pata del trípode cuando termine.

CONECTE EL TUBO DEL TELESCOPIO

1. Localice el Tubo del Telescopio Principal.
2. Quite las tuercas de mariposa del Tubo del Telescopio desde el lado del Tubo del Telescopio. (Consulte el Diagrama de Montaje Rápido)
3. Coloque los tornillos de montaje del Tubo del Telescopio Principal a través del soporte del Tubo del Telescopio situado en la parte superior del conjunto de Localizador de Estrellas Computerizado Northstar. Cerciórese de que el telescopio apunte en la dirección correcta. (El logotipo del tubo del telescopio tiene que aparecer con el lado correcto hacia arriba.)
4. Vuelva a conectar las tuercas de mariposa del Tubo del Telescopio a los tornillos de montaje del Tubo de Telescopio Principal después de unir el Tubo de Telescopio Principal y el conjunto del Localizador de Estrellas Computerizado Northstar.

CONECTE LOS ACCESORIOS FINALES DEL TELESCOPIO

1. Localice la Lente Buscadora de punto rojo.

Para los telescopios reflectores: Quite las tuercas de montaje de la Lente Buscadora del Tubo de Telescopio Principal. Coloque el conjunto de Lente Buscadora sobre los tornillos de montaje de la Lente Buscadora y vuelva a poner las tuercas de mariposa de la Lente Buscadora en los tornillos de montaje de la misma.

Nota: El extremo grande de la lente buscadora debe mirar hacia el extremo abierto del tubo del telescopio.

2. Conecte el ocular de potencia más baja.

Para los modelos de telescopios reflectores: Inserte el ocular de potencia más baja en el mecanismo de enfoque sacando el tornillo de fijación del ocular lo suficiente para poder insertar el ocular completamente.

3. Apriete todos los tornillos de fijación para asegurar bien los accesorios.
4. Quite la cubierta protectora contra el polvo del Objetivo exponiendo todo el diámetro del extremo abierto del telescopio.

CÓMO SE SELECCIONA UN OCULAR

Siempre tiene que empezar a ver con el ocular que tenga el menor aumento, en este caso es la lente de 20 mm. Nota: el aumento básico de cada ocular viene determinado por la distancia focal del objetivo del telescopio. Para determinar la potencia de cada ocular se puede usar la siguiente fórmula: distancia focal del OBJETIVO del telescopio dividida por la distancia focal del OCULAR = AUMENTO (p. ej.: Si se usa la lente de 20 mm, un simple cálculo podría ser parecido a: $750 \text{ mm} / 20 = 38x$, es decir, 38 aumentos. La distancia focal de los diferentes modelos de telescopio puede variar.)

Con este telescopio se incluye una lente Barlow. Las lentes Barlow se usan para duplicar o triplicar la potencia de su telescopio. Coloque la lente Barlow entre el tubo de enfoque y el ocular. Si aplicamos el ejemplo anterior, la lente Barlow 3x proporcionará una potencia total de 114x o 114 aumentos. ($38 \times 3 = 114x$ o 114 aumentos). El cálculo de aumento podría ser como sigue: $750 \text{ mm} / 20\text{mm} = 38$ aumentos. $38 \text{ aumentos} \times 3 = 114$ aumentos.

MONTAJE DETALLADO

CÓMO SE ENFOCA EL TELESCOPIO

1. Después de seleccionar el ocular deseado, dirija el tubo del telescopio principal a un blanco situado en tierra que esté situado a una distancia de unos 200 metros por lo menos (p. ej., un poste de teléfonos o un edificio).
2. Extienda completamente el tubo de enfoque girando el mecanismo de cremallera del enfoque.
3. Mientras mira por el ocular seleccionado (en este caso de 20 mm), retraiga poco a poco el tubo de enfoque girando el mecanismo de cremallera del enfoque hasta que el objeto esté bien enfocado.

CONECTE EL CONTROLADOR DEL ORDENADOR (COMPUTADOR) REMOTO

1. Localice el controlador del ordenador (computador) remoto y el cordón de serpentín.
2. Localice la puerta de la pila en la base del Localizador de Estrellas Computerizado Northstar.
3. Quite la puerta de la pila e inserte una pila de 9V.
4. Vuelva a colocar la puerta de la pila.
5. Conecte el controlador de ordenador (computador) remoto con el cordón de serpentín a la base del Localizador de Estrellas Computerizado Northstar.

CÓMO SE ALINEA LA LENTE BUSCADORA

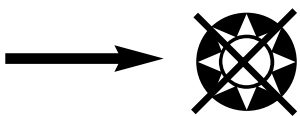
Mire por el Tubo del Telescopio Principal y establezca un blanco bien definido. (Consulte la sección de enfoque del telescopio).

Quite el aislador de plástico que hay entre la lente buscadora de punto rojo y el clip de la pila.

Encienda la lente buscadora de punto rojo.

Mirando por la Lente Buscadora de Punto Rojo, gire las ruedas de ajuste hasta que el punto rojo esté centrado con precisión en el mismo objeto que ya se encuentra centrado en el campo de visión del Tubo de Telescopio Principal.

Ahora, los objetos que se hayan localizado primero con la Lente Buscadora de punto rojo estarán centrados en el campo de visión del telescopio principal.



No mire nunca directamente al Sol
con su telescopio

Podría causar un daño permanente en los ojos



CÓMO PUEDE DISFRUTAR DE SU NUEVO TELESCOPIO

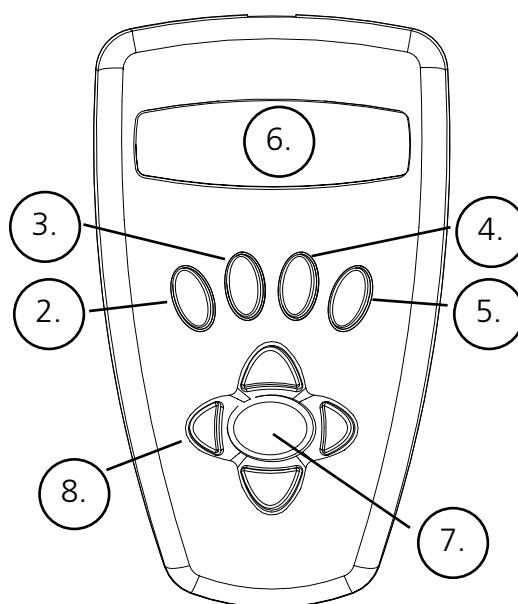
1. Primero determine el objeto deseado. Cualquier objeto brillante en el cielo nocturno es un buen punto de arranque. Uno de los puntos de arranque favoritos en la astronomía es la Luna, pues se trata de un objeto que puede satisfacer tanto al principiante como al experimentado veterano de la astronomía. Cuando llegue a tener cierta competencia a este nivel, puede concentrarse en otros blancos. Saturno, Marte, Júpiter y Venus son los siguientes pasos que puede tomar.
2. Lo primero que debe hacer después de montar su telescopio según lo planeado es centrar el objeto deseado en las retículas de la lente buscadora. Siempre y cuando haya alineado adecuadamente la lente buscadora, una simple mirada por el tubo del telescopio principal a una potencia baja deberá revelar la misma imagen. Con el ocular de menor potencia (el que tiene el mayor número impreso) deberá ser capaz de enfocar la misma imagen que vio a través de la lente buscadora. Evite la tentación de cambiar directamente a la potencia más alta. El ocular de potencia más baja le proporcionará un campo de visión más ancho y una imagen más brillante – haciendo que sea más fácil encontrar el objeto deseado. Llegado a este punto, con una imagen enfocada en ambas lentes, habrá superado el primer obstáculo. Si no ve una imagen después de haberla enfocado, podría considerar la posibilidad de alinear otra vez su lente buscadora. Una vez que dé este paso, se alegrará del tiempo que ha empleado tratando de obtener un buen alineamiento. Todos los objetos que centre en la lente buscadora se podrán encontrar con facilidad en el tubo del telescopio principal, lo cual es importante para seguir con su exploración del cielo nocturno.
3. Los oculares de potencia más baja son perfectos para ver una luna llena, los planetas, los cúmulos de estrellas, las nebulosas y hasta las constelaciones. Todos éstos deben constituir su base. Sin embargo, para más detalles, trate de subir a un mayor aumento con oculares de una potencia más alta en algunos de estos objetos. Durante las noches tranquilas y despejadas, la línea de separación entre luz y oscuridad de la Luna (que recibe el nombre "Terminator", o límite de iluminación) es una experiencia maravillosa con una lente de potencia alta. Podrá ver las montañas, las crestas y los cráteres aparecen de repente ante su vista debido al contraste. De forma similar, puede pasar a un aumento más alto para ver los planetas y las nebulosas. En cualquier caso, los cúmulos de estrellas y las estrellas se pueden ver mejor con una potencia más baja.
4. El teatro astronómico recurrente que llamamos cielo nocturno es como una valla publicitaria en constante cambio. En otras palabras, no vemos siempre la misma película. Muy al contrario, las posiciones de las estrellas no sólo cambian de una hora a otra, apareciendo y desapareciendo en el firmamento, sino que también cambian a lo largo del año. A medida que la Tierra describe su órbita alrededor del Sol, nuestra perspectiva sobre las estrellas cambia en un ciclo anual durante dicha órbita. La razón por la que el cielo parece que se mueve a diario al tiempo que el Sol y la Luna se "desplazan" por el cielo es que la Tierra gira sobre su propio eje. Como consecuencia, usted puede notar que después de unos cuantos minutos, o segundos dependiendo de la potencia de la lente, los objetos que puede ver en su telescopio se mueven. Con lentes de mayor aumento, especialmente, podrá notar que la Luna o Júpiter desaparecen "corriendo" del campo de visión. Para compensar, sólo tiene que mover los controles de ajuste nítido de su telescopio para poder "seguir" la trayectoria necesaria.

SUGERENCIAS ÚTILES

1. Su telescopio es un instrumento muy sensible. Para obtener los mejores resultados y la menor cantidad de vibraciones, coloque el telescopio en una superficie horizontal sobre tierra en lugar de una superficie de hormigón o una terraza de madera. De esta forma dispondrá de una base más estable para hacer sus observaciones, especialmente si hay muchas personas a su alrededor que se han visto atraídas por su nuevo telescopio.
2. Si es posible, haga sus observaciones desde un lugar que tenga relativamente pocas luces. De esta forma podrá ver objetos mucho más tenues. Se quedará sorprendido cuando descubra cuánto más puede ver desde un lago o un parque remotos comparado con lo que puede ver desde el jardín de su casa en la ciudad.
3. Usar su telescopio mirando desde una ventana no es recomendable NUNCA.
4. Si es posible, trate de ver los objetos que se encuentren en lo alto del cielo. Si espera a que el objeto se eleve muy por encima del horizonte conseguirá una imagen más brillante y nítida. Los objetos situados en el horizonte se ven a través de varias capas que conforman la atmósfera de la Tierra. ¿Se ha preguntado alguna vez por qué la Luna parece que tiene un color anaranjado cuando aparece por el horizonte? Es porque la estamos viendo a través de una cantidad de atmósfera considerablemente mayor que cuando está situada directamente encima de nosotros. (Nota: si los objetos situados en lo alto del cielo aparecen distorsionados u ondulantes, es probable que la noche sea altamente húmeda). Durante las noches de atmósfera inestable, la visión a través de un telescopio puede ser frustrante y hasta imposible. Los astrónomos se refieren a las noches claras y nítidas como las mejores para poder "ver bien".

DIAGRAMA DE INTERFASE DEL ORDENADOR (COMPUTADOR) NORTHSTAR

1. Botón On/Off (en la base Northstar)
2. Botón de retroceder
3. Botón de introducción
4. Botón de desplazamiento arriba
5. Botón de desplazamiento abajo
6. Pantalla LCD
7. Botón "IR" (GO)
8. Botones de movimiento motorizado (4)
9. Puerta de la pila (en la base Northstar)



FUNCIONES CON BOTÓN

Botón On/Off: El Botón On/Off encenderá o apagará el Localizador de Estrellas Computerizado Northstar. Este botón destella o emite impulsos durante un uso normal. Para apagar la unidad, sólo tiene que pulsar el botón On/Off durante tres segundos y soltarlo. (Nota: El Localizador de Estrellas Computerizado Northstar se apagará automáticamente después de 10 minutos de inactividad.)

Botón de Retroceder: Este botón sirve para navegar hasta el nivel previo dentro de los parámetros de operación o para regresar al nivel de entrada previo. También, si en cualquier momento desea anular la función de habla, puede cancelarla pulsando el botón "Back" en el teclado del control remoto.

Botón Intro: Este botón sirve para seleccionar ciertas opciones del menú. Sólo tiene que pulsar el botón de introducción y Northstar avanzará hasta el nivel seleccionado. Cuando el nombre o el número de un objeto aparezca listado en la pantalla, también se puede pulsar el botón de introducción para escuchar una descripción hablada y visualizar el texto moviéndose en pantalla con el texto de la descripción del objeto.

Botón de Desplazamiento Arriba: Este botón funciona para desplazar hacia arriba diferentes menús dentro de Northstar. Siempre que encuentre una opción de texto/número destellando, el botón de desplazamiento mostrará las diferentes opciones dentro de ese menú. (Nota: Para seleccionar una opción a la que ha llegado desplazando la pantalla, sólo tiene que pulsar el botón Intro.)

Botón de Desplazamiento Abajo: Este botón funciona para desplazarse abajo por diferentes menús dentro de Northstar. Siempre que encuentre una opción de texto/número destellando, el botón de desplazamiento mostrará las diferentes opciones dentro de ese menú.

(Nota: Para seleccionar una opción a la que ha llegado desplazando la pantalla, sólo tiene que pulsar el botón Intro.)

Botón "GO" (IR): El botón GO centrará automáticamente cualquier objeto que se visualice en la pantalla LCD. Al pulsar el botón "GO", el telescopio buscará y seguirá el objeto seleccionado hasta que se seleccione otro objeto y se vuelva a pulsar otra vez el botón "GO".

Botones de movimiento motorizado: Estos cuatro botones multidireccionales permiten al usuario invalidar el sistema de seguimiento y mover el telescopio utilizando los motores manualmente a otra posición deseada. Cuanto más tiempo se pulsen estos botones, con más rapidez se moverá el Northstar hasta alcanzar su velocidad máxima.

PANTALLA LCD

La Pantalla de Cristal Líquido (LCD, por sus siglas en inglés) es una pantalla de dos líneas por dieciséis caracteres. La pantalla LCD también se ilumina para usarse durante la noche, igual que los botones.

VISTA GENERAL DE LAS MODALIDADES DEL PRODUCTO

Explorar: La Modalidad de Explorar de Northstar proporciona la capacidad de explorar diferentes objetos astronómicos categorizados por el tipo de objeto. Estos objetos pertenecerán a uno, o más, de los siguientes tipos de objetos: Espacio Interplanetario, Planetas, Constelaciones y Estrellas. Cada uno de estos subtítulos dispondrá también de subcategorías de objetos bajo sus estructuras de menú. (Vea el Menú Ramificado para una lista completa de funciones y opciones del menú.)

Visita al firmamento: La modalidad de Visita al Firmamento de Northstar proporciona la capacidad para realizar un viaje rápido por los objetos mejores y más brillantes durante cualquier mes dado del año. Si se introduce la fecha en el sistema, la modalidad de Visita al Firmamento ofrecerá automáticamente la opción implícita para dicho mes. Los objetos se pueden escoger usando las flechas de desplazamiento arriba o abajo y pulsando el botón Intro (ENTER). Para buscar más información sobre cualquier objeto dado, pulse el botón Intro mientras se visualiza ese objeto para ver el mensaje de texto desplazándose.

Telescopio: La modalidad de Telescopio de Northstar proporciona datos en tiempo real sobre el lugar a que apunta el telescopio. Las Coordenadas Astronómicas para la Ascensión Recta (RA) y Declinación (DEC) así como Altitud (ALT) y Azimut (AZ) se visualizan simultáneamente. Además, en la esquina inferior derecha habrá una abreviatura de la constelación a la que apunta el telescopio.

Identificar: La modalidad Identificar de Northstar proporciona la capacidad de Identificar cualquier objeto dentro del campo de visión del telescopio. Se incluyen las subcategorías para las diferentes clases de objetos identificables, así como una opción de Identificar Cualquiera.

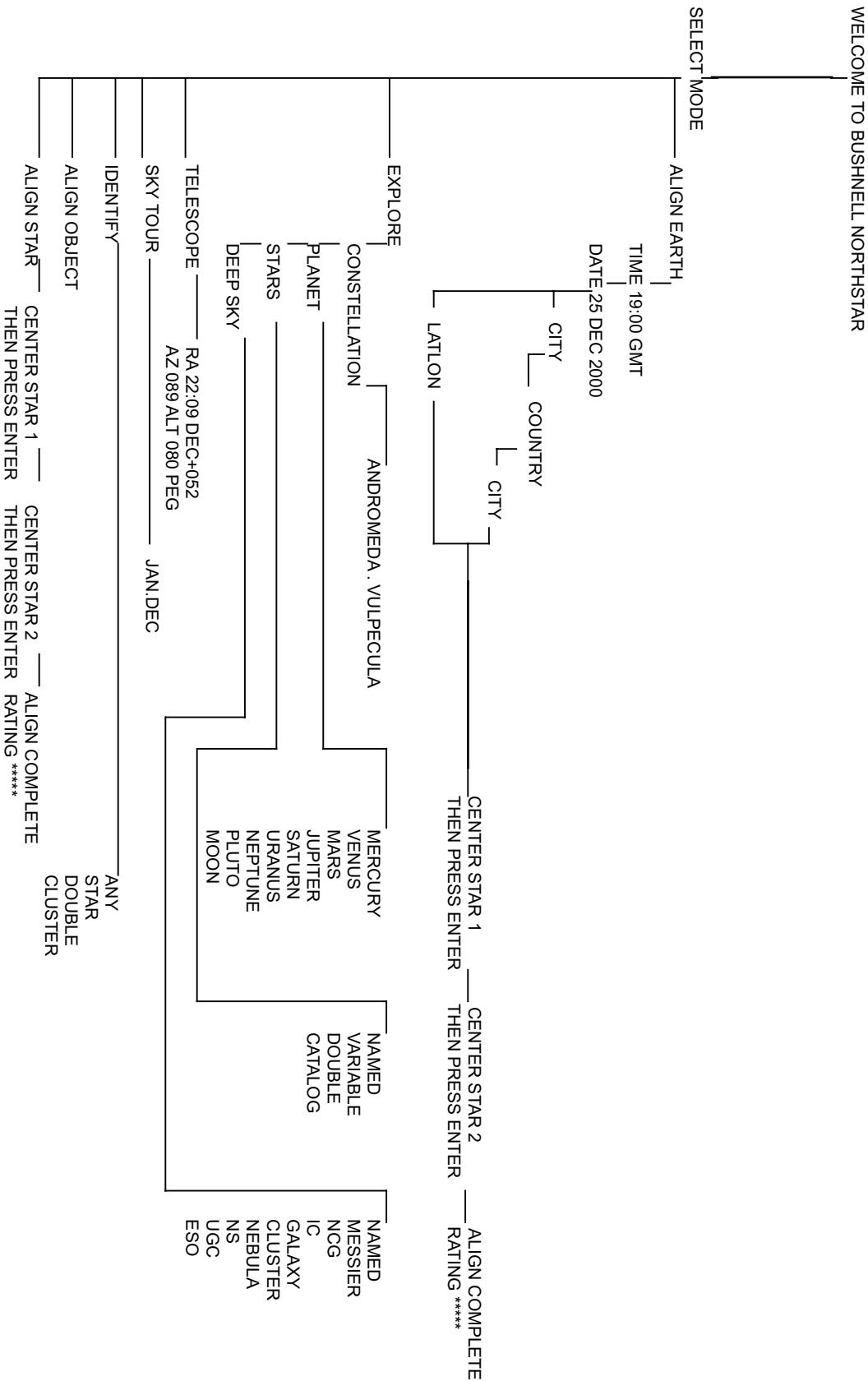
Alinear Tierra: La modalidad Alinear Tierra de Northstar proporciona la capacidad de alinear con facilidad el telescopio utilizando información común que ya conocen los que no son astrónomos. Introduciendo información simple tal como hora, fecha, ciudad, etc. un usuario que use el telescopio por primera vez puede explorar la inmensa base de datos de Northstar de objetos astronómicos a los pocos minutos.

Alinear Estrella: La modalidad Alinear Estrella de Northstar proporciona la capacidad de alinear el telescopio utilizando ciertos conocimientos astronómicos. Sabiendo dónde están situadas dos estrellas en el firmamento, un usuario novato puede saltarse la introducción de la ciudad, fecha y hora, y comenzar a utilizar rápidamente la base de datos de Northstar para localizar objetos astronómicos sorprendentes.

Alinear Objeto: La modalidad Alinear Objeto de Northstar proporciona la capacidad de perfeccionar el alineamiento del telescopio en medio de la sesión de observación. Esto puede ser muy útil, especialmente si el perro de la familia choca con el telescopio y trastoca su alineamiento. Usando esta modalidad puede centrar el telescopio sobre cualquier objeto conocido y seleccionar alinear un objeto para recalibrar con rapidez el alineamiento de Northstar para seguir disfrutando durante el resto de la velada.

MENÚ RAMIFICADO

BUSHNELL NORTHSTAR COMPUTER MENU STRUCTURE (For Step-By-Step Easy Use Refer to Quick Reference Guide)



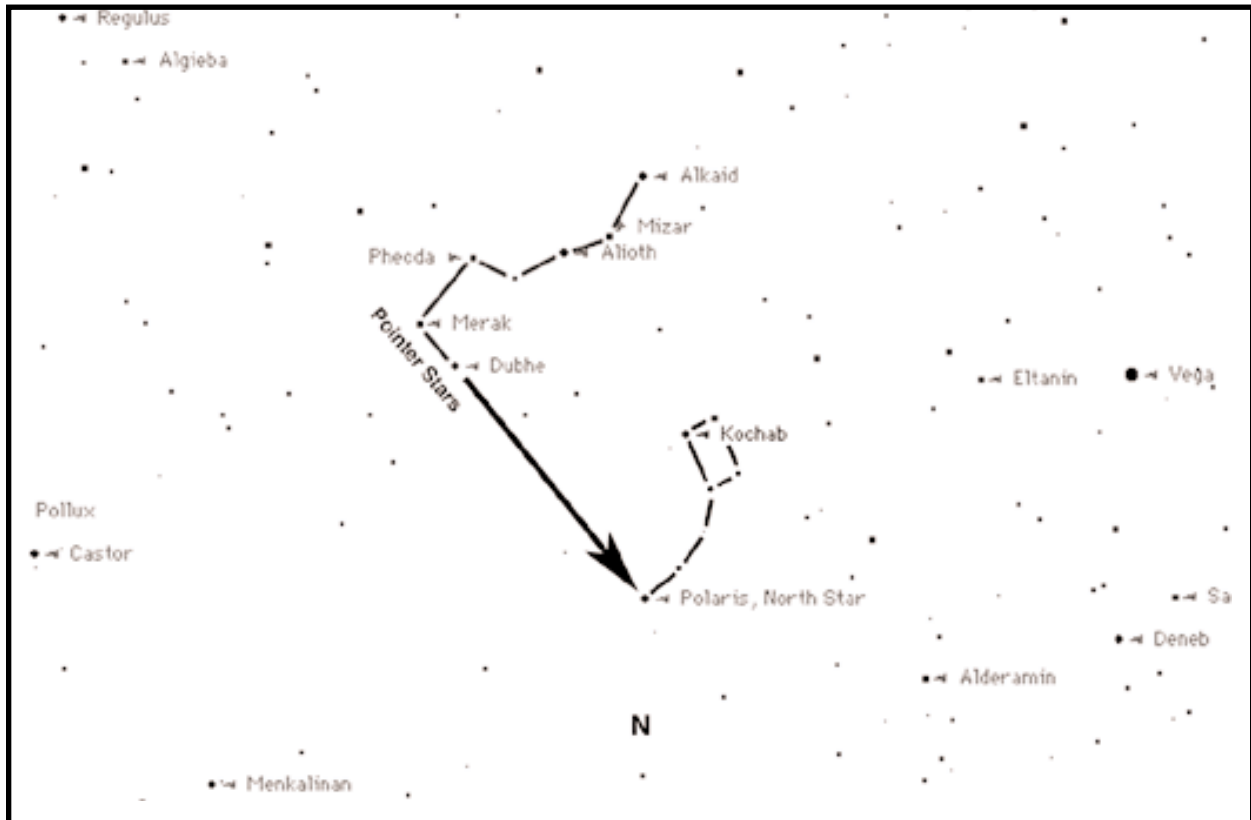
CÓMO SE ALINEA EL NORTHSTAR POR PRIMERA VEZ

(NOTA: Cerciórese de que el el telescopio esté sobre una superficie horizontal.)

PASO 1: APUNTE AL NORTE

Apunte el telescopio en dirección Norte.

NOTA: EL USUARIO SÓLO TIENE QUE APUNTAR EL TELESCOPIO RELATIVAMENTE CERCA DEL NORTE. EL ALINEAMIENTO SE REFINARÁ A MEDIDA QUE VAYAMOS PROGRESANDO. SIN EMBARGO, SI ENCUENTRA LA OSA MAYOR Y USA LA "FLECHA DE ESTRELLAS", SIGA LA FLECHA DEL DIAGRAMA SUPERIOR HASTA LA ESTRELLA POLAR. ¡LA ESTRELLA POLAR SE ENCUENTRA DIRECTAMENTE ENCIMA EN DIRECCIÓN NORTE!



Cuando se enciende el telescopio, aparece un mensaje desplazándose en la pantalla:

```
BUSHNELL NORTHSTAR Ux.x
```

Después de este mensaje, el telescopio ejecutará una comprobación de diagnóstico y nivelará el tubo del telescopio en relación con la montura del mismo.

Entonces aparecerá el menú implícito:

```
SELECT MODE          (SELECCIONAR MODALIDAD)
ALIGN EARTH ↑↑       (ALINEAR TIERRA)
```

Esta modalidad asume que, aun cuando el usuario del telescopio utilice este instrumento por primera vez y no sepa nada de astronomía, puede tener éxito alineando el telescopio si sigue unos pasos sencillos.

La opción ALIGN EARTH (ALINEAR TIERRA) está destellando.

Pulse ENTER (INTRO) es escoja la opción ALIGN EARTH (ALINEAR TIERRA).

NOTA: CUALQUIER ÍTEM QUE DESTELLE EN LA PANTALLA ES UNA OPCIÓN DE MENÚ. HAY DISPONIBLES OTRAS OPCIONES USANDO LOS BOTONES DE AVANZAR O RETROCEDER EL TEXTO EN PANTALLA.

CÓMO SE ALINEA EL NORTHSTAR POR PRIMERA VEZ

PASO 2: FIJE LA HORA

Usando los botones de AVANZAR Y RETROCEDER EL TEXTO y el botón ENTER (Intro), la hora se puede fijar fácilmente, así como el huso horario. Cada opción destellante tendrá que cambiarse para leer el número apropiado. Una vez que se muestra el número, puede aceptarlo pulsando ENTER (INTRO). Entonces tiene que fijar la siguiente opción destellante hasta que se fije la hora y el huso horario.

PASO 3: FIJE LA FECHA

De nuevo, usando los botones de AVANZAR y RETROCEDER EL TEXTO y el botón ENTER (INTRO), se puede fijar la fecha con facilidad. Cada opción destellante tendrá que cambiarse para leer el mes o número apropiado. Una vez que se muestra el número, puede aceptarlo pulsando ENTER (INTRO). Entonces tiene que fijar la siguiente opción destellante hasta que se fije el día, mes y año.

PASO 4: FIJE LA POSICIÓN

La siguiente pantalla visualizará:

```
ALIGN EARTH (ALINEAR TIERRA)
CITY ++ (CIUDAD)
```

CITY (CIUDAD) aparecerá destellando. Pulsando el botón ENTER (Intro), la pantalla cambiará a:

```
COUNTRY (PAÍS)
U.S.A. ++ (EE.UU.)
```

El país aparecerá destellando.

De nuevo, usando los botones de AVANZAR y RETROCEDER EL TEXTO y el botón ENTER (Intro), se puede escoger COUNTRY (PAÍS). Cuando encuentre el país apropiado y pulse el botón ENTER (INTRO), podrá escoger la ciudad más cercana pulsando ENTER (INTRO) cuando se visualice.

NOTA: ESCOJA LA CIUDAD MÁS CERCANA A SU POSICIÓN DE OBSERVACIÓN. ÉSTE NO ES UN PASO DE IMPORTANCIA CRÍTICA Y EL ALINEAMIENTO SE REFINARÁ AUTOMÁTICAMENTE A MEDIDA QUE VAYAMOS PROGRESANDO.

Después de seguir cuatro criterios sencillos que cualquier consumidor debe conocer, el telescopio sabrá dónde se encuentran más de 20.000 objetos astronómicos en el cielo nocturno con una precisión relativa. Siguiendo dos pasos más, podremos enfocar de cerca el objeto con una gran precisión.

Ahora, el telescopio nos llevará a través de un sencillo proceso de alineamiento de dos estrellas. NO NECESITAMOS SABER DÓNDE ESTÁN LAS ESTRELLAS. Sólo tenemos que seguir las instrucciones.

Un mensaje desplazándose indica CENTER STAR 1 (CENTRE ESTRELLA 1), luego pulse ENTER (INTRO)

Entonces la pantalla visualizará:

```
CENTER STAR 1 (CENTRE ESTRELLA 1)
+120 +52 MIZAR
```

Pulse el botón "GO" (IR) y el telescopio se moverá automáticamente hasta las inmediaciones de la primera estrella guía--en este caso MIZAR

Las estrellas guía serán las más brillantes que se encuentren en esa área del firmamento. Northstar se centrará automáticamente en la estrella guía y se visualizará en la pantalla el siguiente texto:

```
CENTER STAR 1 (CENTRE ESTRELLA 1)
O◊O O◊O MIZAR
```

Observe que a medida que se mueve una distancia mayor de 10 grados de un objeto hasta una distancia menor de diez grados, la pantalla pasa a los décimos de grado y las flechas actúan como si fueran puntos decimales (Ejemplo 8+5=8.5 grados por debajo del objeto).

Después de tener enfocada de cerca la estrella, tiene que hacer lo que se pide en la pantalla—CENTER STAR 1 (CENTRE ESTRELLA 1). En otras palabras, la estrella puede aparecer en la esquina izquierda inferior del ocular de su telescopio.

CÓMO SE ALINEA EL NORTHSTAR POR PRIMERA VEZ

Mirando por el ocular, centre la estrella en el campo de visión usando los Botones de movimiento motorizado, o mueva el telescopio a mano, y pulse ENTER (INTRO).

La distancia a que está el objeto desde el centro guarda relación con la distancia a la que usted se encuentra de una ciudad o la precisión con que se alineó con el norte.

Repita este proceso para STAR 2 (ESTRELLA 2) y pulse ENTER (INTRO).

Después de completar este paso, visualizará el siguiente texto en la pantalla:

```
ALIGN COMPLETE (ALINEAMIENTO COMPLETADO)
RATING ***** (CLASIFICACIÓN *****)
```

(Nota: Cuanto más estrellas aparezcan en la segunda línea mejor, hasta 5)

Después de completar el alineamiento de dos estrellas, ¡su Northstar sabrá con gran precisión dónde se encuentran más de 20.000 objetos!!

CÓMO SE USA NORTHSTAR POR PRIMERA VEZ

Después de EARTH ALIGN (ALINEAR TIERRA), la pantalla mostrará:

```
SELECT MODE      (SELECCIONAR MODALIDAD)
EXPLORE ++      (EXPLORAR)
```

Seleccione EXPLORE (EXPLORAR) pulsando ENTER (INTRO). AVANCE Y RETROCEDA EL TEXTO por la pantalla para ver qué opciones destellantes tiene. Yo siempre escojo PLANET (PLANETA). Es la opción más interesante. Aunque use un telescopio por primera vez, los objetos de PLANET (PLANETA) pueden ser muy interesantes.

Pulse ENTER (INTRO) cuando la pantalla diga:

```
EXPLORE (EXPLORAR)
PLANET (PLANETA)
```

Esto le llevará a una lista de nombres de PLANET (PLANETA). Usando los botones de AVANZAR o RETROCEDER EL TEXTO, podrá explorar varios artículos de la lista de planetas.

```
PLANET          (PLANETA)
JUPITER ++     (JÚPITER)
```

Pulse ENTER (INTRO) para escoger el PLANET (PLANETA) que quiere ver. La pantalla dirá entonces:

```
PLANET (PLANETA)
+120 +52 JUPITER
```

NOTA: SI UN OBJETO SE ENCUENTRA DEBAJO DEL HORIZONTE, LA PANTALLA MOSTRARÁ PERIÓDICAMENTE LA PALABRA "HORIZON" (HORIZONTE).

AVANCE O RETROCEDA la pantalla para ver otros PLANETS (PLANETAS) de la lista. Observe que la pantalla muestra las direcciones a cada objeto. Pero, ¿qué ocurre si usted está usando el telescopio por primera vez y quiere saber más acerca del objeto? ¿No sería bueno saber qué es el objeto antes de mover el telescopio?

PULSE ENTER (INTRO) cuando:

```
PLANET (PLANETA)
+120 +52 JUPITER
```

se visualice en pantalla, o cualquier otro PLANET (PLANETA). Verá un mensaje desplazándose que le dirá las coordenadas del objeto, su luminosidad, su tamaño, cuál es su nombre propio, en qué constelación está y una breve descripción de lo que es el objeto. En el caso de JUPITER (JÚPITER) diría:

JUPITER fifth planet from sun.
Largest planet in solar system.
16 moons. Orbit is 11.86 years.
Diameter 143,000 km. Named for roman king of gods.

(JÚPITER es el quinto planeta más alejado del Sol.
Es el mayor planeta del sistema solar.
Tiene 16 lunas. Tarda 11,86 años en describir su órbita alrededor del Sol.
Mide 143.000 km de diámetro. Se nombró en honor al rey de los dioses romanos.)

Ahora, imagine que está tratando de dejar impresionados a sus hijos (o viceversa). A los diez minutos de una sesión de observación estará ya aprendiendo muchas cosas sobre los objetos astronómicos.
¡¡¡¡Es una gran herramienta educativa!!!!

Para encontrar el objeto, sólo tiene que pulsar el botón "GO" (IR) y el objeto ¡aparecerá en el ocular de su telescopio!

Pulsando el botón BACK (RETROCEDER), regresará al nivel previo cada vez que pulse dicho botón. Si pulsa el botón tres veces regresará al menú del nivel principal. La pantalla dirá:

```
SELECT MODE      (SELECCIONAR MODALIDAD)
EXPLORE ++      (EXPLORAR)
```

AVANCE o RETROCEDA la pantalla para seleccionar

```
SELECT MODE (SELECCIONAR MODALIDAD)
SKY TOUR ++ (VIAJE POR EL FIRMAMENTO)
```

Pulse ENTER (INTRO).

Esta modalidad le llevará a través de los objetos más brillantes de cada mes. Si hace el alineamiento ALIGN EARTH (ALINEAR TIERRA) e introduce la fecha, le llevará automáticamente al presente mes. ¿No sabe lo que significan esas abreviaturas y esos objetos oscuros? Sólo tiene que pulsar la tecla ENTER (INTRO) para más información.

Pulse el botón BACK (RETROCEDER) hasta que regrese al menú principal:

```
SELECT MODE      (SELECCIONAR MODALIDAD)
SKY TOUR ++      (VIAJE POR EL FIRMAMENTO)
```

AVANCE o RETROCEDA la pantalla hasta que diga:

```
SELECT MODE      (SELECCIONAR MODALIDAD)
IDENTIFY ++      (IDENTIFICAR)
```

Pulse ENTER (INTRO).

Esta modalidad pasará como opción implícita al nivel

```
IDENTIFY ANY      (IDENTIFICAR CUALQUIERA)
```

Seleccionando esta opción con la tecla ENTER (INTRO), identificará el objeto que esté viendo en ese momento O el objeto que esté más cerca del lugar al que apunta su telescopio en ese momento. También cuenta con las opciones de elegir otros tipos para IDENTIFY (IDENTIFICAR) el menú. Estas opciones identificarán los cúmulos, las nebulosas, etc., que estén más cerca de la posición actual de su telescopio.

Para seleccionar la modalidad final, pulse ENTER (INTRO) cuando se visualice en pantalla:

```
SELECT MODE      (SELECCIONAR MODALIDAD)
TELESCOPE ++     (TELESCOPIO)
```

La pantalla dirá algo parecido a:

RA18:53 DEC+38.7
AZ280 ALT+62 LYR

La modalidad TELESCOPE (TELESCOPIO) le proporciona una información dinámica, en tiempo real, de la posición actual de su telescopio en términos de coordenadas astronómicas. Juegue con esta modalidad moviendo el telescopio a diferentes posiciones. Observe la abreviatura de tres letras en la parte derecha inferior de la pantalla. De esta forma se presenta dinámicamente la CONSTELACIÓN presente a la que apunta el telescopio. Estos nombres se presentan en abreviatura en esta modalidad. Las definiciones de estas abreviaturas están en el índice del catálogo.

GARANTÍA / REPARACIÓN

GARANTÍA LIMITADA PARA TODA LA VIDA del Telescopio

Su telescopio Bushnell® está garantizado contra defectos de material y fabricación durante toda la vida del propietario original. La Garantía Limitada para Toda la Vida es una expresión de la confianza que tenemos en nuestros materiales y en la fabricación mecánica de nuestros productos, que le garantiza un servicio fiable durante toda la vida.

Si su telescopio contiene componentes eléctricos, dichos componentes electrónicos están garantizados de estar libres de defectos de material y fabricación durante dos años a partir de la fecha de compra.

En caso de defectos bajo esta garantía, nosotros, a nuestra opción, repararemos o sustituiremos el producto siempre que lo devuelva con portes pagados. Esta garantía no cubre defectos causados por el uso indebido, ni por un manejo, instalación o mantenimiento del producto inapropiados o el mantenimiento hecho por otro que no sea un Centro de Servicio Autorizado de Bushnell.

Cualquier envío que se haga bajo garantía deberá venir acompañado por lo siguiente:

- 1) Un cheque/giro postal por la cantidad de 15 dólares para cubrir los gastos de manejo y envío
- 2) Nombre y dirección donde quiere que se le envíe el producto
- 3) Una explicación del defecto
- 4) Prueba de fecha de compra
- 5) El producto debe empaquetarse bien en una caja resistente para evitar que se dañe durante el transporte, y enviarse con portes pagados a la dirección que se muestra a continuación:

En EE UU, enviar a:

Bushnell Performance Optics
Attn.: Repairs
8500 Marshall Drive
Lenexa, Kansas 66214

En CANADÁ, enviar a:

Bushnell Performance Optics
Attn.: Repairs
25A East Pearce Street, Unit 1
Richmond Hill, Ontario L4B 2M9

En el caso de los productos comprados fuera de los Estados Unidos o Canadá, llame al distribuidor local para la información pertinente sobre la garantía. En Europa también puede llamar al: 33 141 44 94 80
Bushnell Performance Optics Service Centre
Columbusstraat 25
3165 AC Rotterdam
Países Bajos

Esta garantía le ofrece derechos legales específicos.
Puede que tenga otros derechos que varían de un país a otro.

©2002 Bushnell Corporation

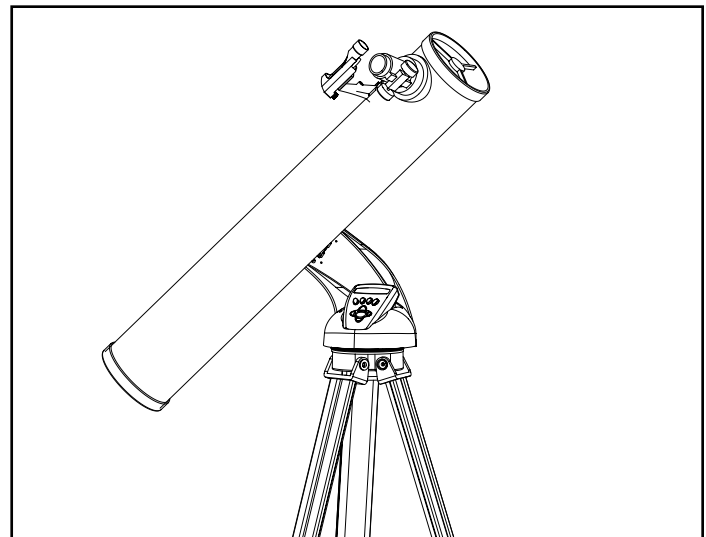
Bushnell®

MIT REALVOICE™ SPRACHAUSGABE

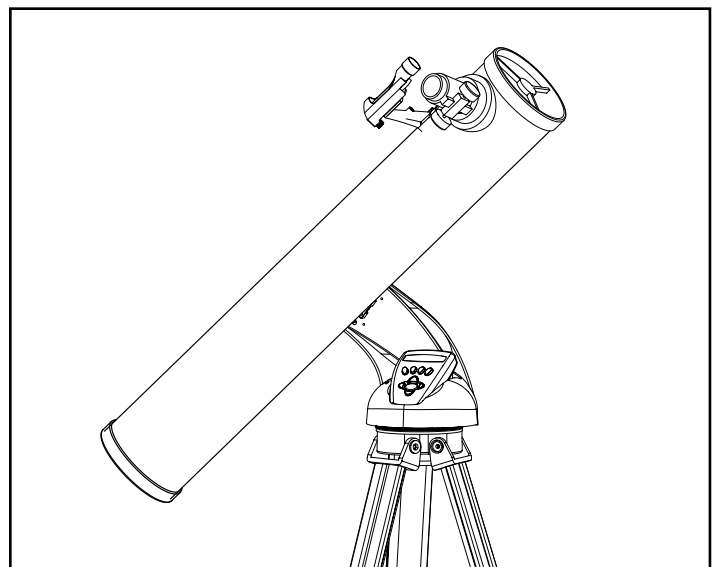


BEDIENUNGSANLEITUNG

78-8831 76mm Reflektorteleskope



78-8846 114mm Reflektorteleskope



Herzlichen Glückwunsch zum Erwerb Ihres Teleskops Northstar Goto der Marke Bushnell mit echter Sprachausgabe! Es ist das erste Teleskop der Welt, das Ihnen mit menschlicher Stimme den nächtlichen Himmel erläutert. So wird das Teleskop zu Ihrem persönlichen Assistenten für Astronomie.

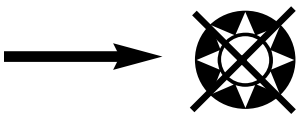
Lesen Sie zunächst dieses Handbuch sorgfältig durch und bereiten Sie sich auf Ihre erste Himmelerkundung vor. Und so kommen Sie in den Genuss der Sprachausgabe:

Schalten Sie das Teleskop ein. Die Sprachausgabefunktion ist in die Fernbedienung integriert.

Während Sie das Teleskop ausrichten, hören Sie bereits nützliche Hinweise. Aber erst nach der Ausrichtung kommt die Sprachausgabefunktion voll zur Geltung. Drücken Sie die Eingabetaste, wenn ein Objektname oder eine Zahl in der unteren rechten Ecke der LCD erscheint. Sie hören dann eine Objektbeschreibung und können gleichzeitig den Text auch mit der Scrolling-Funktion mitlesen.

Sie können die Sprachausgabefunktion aber auch jederzeit ausschalten, indem Sie auf Ihrer Fernbedienung die Taste „Back“ betätigen.

Wir hoffen, dass Ihnen dieses Teleskop viele Jahre lang Freude bereiten wird!



Mit dem Teleskop niemals direkt in die Sonne schauen!



Ihre Augen können irreparable Schäden erleiden

Mit Ihrem Bushnell-Teleskop stehen Ihnen die Wunder des Universums zur Erkundung offen. Dieses Handbuch soll Ihnen bei der Aufstellung des Instruments helfen und enthält darüber hinaus grundlegende Hinweise zum Gebrauch. Allerdings kann es Ihnen keinen umfassenden Überblick zum Thema Astronomie verschaffen. Obwohl Sie mit dem Northstar den nächtlichen Himmel schon sehr gut erkunden können, empfiehlt sich zusätzlich die Anschaffung einer einfachen Sternenkarte und einer Taschenlampe, die entweder mit roter Glühbirne oder einer roten Folie vor dem Licht ausgerüstet ist. Für alle, die mehr als Sterne und Konstellationen betrachten möchten, ist ein grundlegender Astronomieführer ein Muss. Empfehlungen dazu finden Sie auf unserer Website unter www.bushnell.com. Dort können Sie sich ebenfalls nach aktuellen Himmelsereignissen erkundigen, deren Anschauen sich lohnt. Zu den Objekten, die Sie immer betrachten können, zählen die folgenden.

Der Mond – einen herrlichen Blick auf unseren Begleiter erhalten Sie mit jeder beliebigen Vergrößerung. Besichtigen Sie den Mond in seinen unterschiedlichen Phasen. Seine Hochländer, Meere (Ebenen, die aufgrund ihrer dunklen Färbung so genannt werden), Krater, Bergkämme und Gebirge werden Sie faszinieren.

Saturn – auch bei geringster Vergrößerung können Sie die Ringe und Monde des Saturn bereits erkennen. Der Saturn ist einer der lohnendsten Himmelskörper, denn er sieht in Wirklichkeit genauso aus wie auf Bildern. Betrachten Sie den Saturn, den Sie von den Abbildungen aus Schulbüchern oder von der NASA kennen, live von Ihrem Garten aus!

Jupiter – der größte Planet in unserem Sonnensystem ist spektakulär. Seine auffälligsten Merkmale sind die dunklen Streifen oder Bänder unterhalb und oberhalb seines Äquators. Es handelt sich dabei um die nördlichen und südlichen Äquatorzonen. Ebenfalls interessant sind die vier großen Monde des Jupiters. Achten Sie einmal genau auf ihre wechselnden Positionen von Nacht zu Nacht. Die Monde scheinen um den Jupiter herum aufgereiht zu sein.

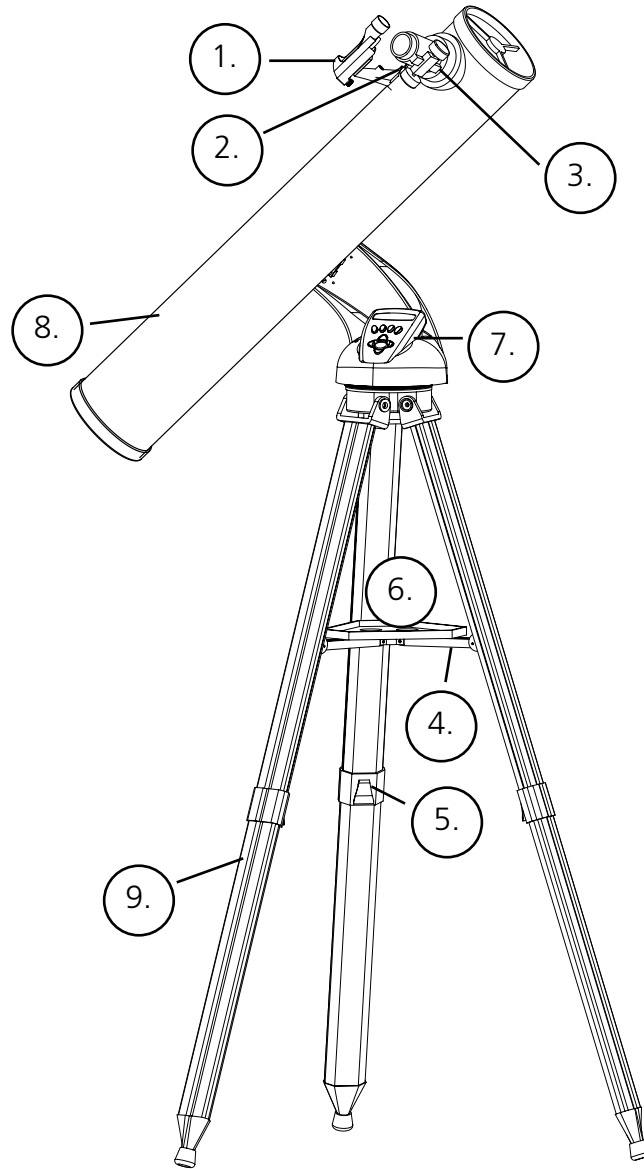
Mars – der große so genannte rote Planet erscheint als rot-orangefarbene Scheibe. Beobachten Sie ihn zu verschiedenen Jahreszeiten und versuchen Sie, einen Blick auf seine weißen Polkappen zu erhaschen.

Venus – wie der Mond ändert auch die Venus von Monat zu Monat ihre Phasen. Manchmal erscheint sie am nächtlichen Himmel so hell wie ein entfernter Halbmond.

Nebel – der große Orionnebel gehört zu den prominentesten Beobachtungsobjekten. Er ist einer von vielen, den Sie mit diesem Teleskop erkunden können.

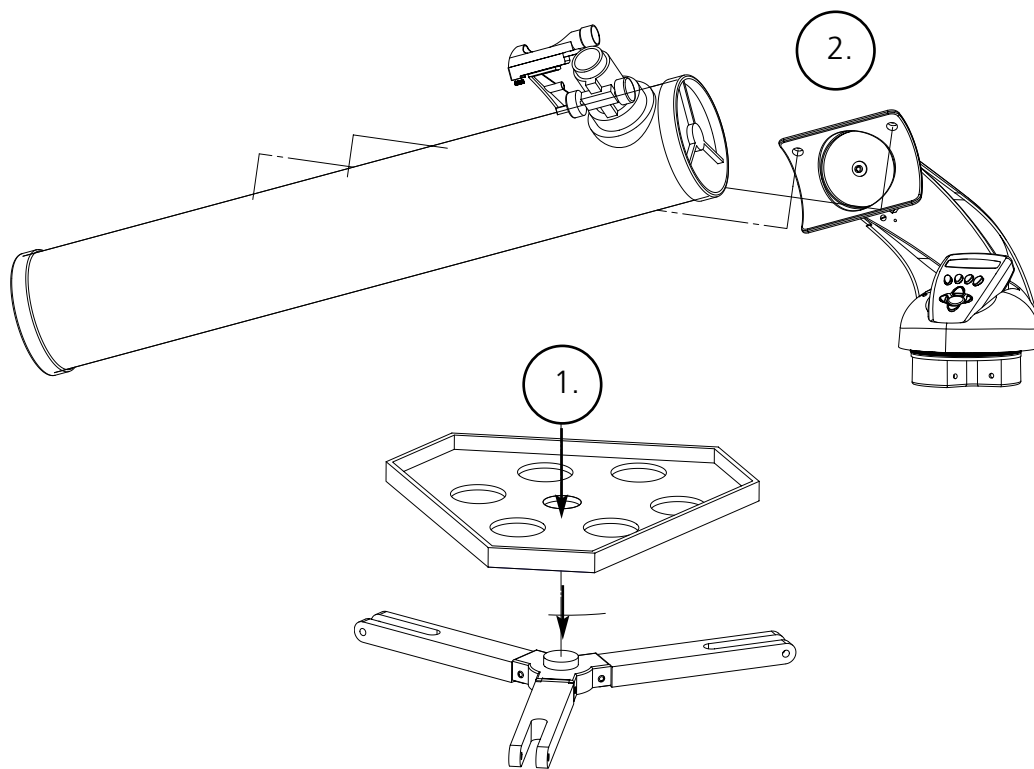
Sternhaufen – betrachten Sie Millionen von Sternen, die wie ein Ball dicht in einem so genannten Haufen zusammengefasst sind.

Galaxien – eine der größten und interessantesten Galaxien ist unsere Nachbargalaxie Andromeda. Gehen Sie hier und in vielen anderen auf eine Erkundungsreise.



PRODUKTDIAGRAMM TELESKOP

- | | |
|-------------------------------------|----------------------------------------------------|
| 1. Red-Dot-Sucherfernrohr | 6. Zubehörablage Quick-Release |
| 2. Okular 1,25 Zoll | 7. Computerfernsteuerung |
| 3. Scharfstellung mittels Zahntrieb | 8. Teleskoptubus |
| 4. Schelle für Zubehörablage | 9. Verstellbares Aluminiumstativ mit Quick-Release |
| 5. Stativhalterung Quick-Release | |



TEILEÜBERSICHT

- Verstellbares Aluminiumstativ
(Vormontiert für Basisplatte des computergesteuerten Star Locator von Northstar)
- Zubehörablage Quick-Release
- Northstar-Teleskop mit Fingerstellschrauben
- Red-Dot-Sucherfernrohr
- Okular 20 mm, 1,25 Zoll Durchmesser
- Okular 4 mm, 1,25 Zoll Durchmesser
- Barlowlinse

AUSFÜHRLICHE MONTAGEANLEITUNG

Für die Aufstellung Ihres Teleskops sind keine Werkzeuge erforderlich.

Nehmen Sie zunächst alle Teile aus der Verpackung und ordnen Sie die Teile entsprechend zu. Es empfiehlt sich, alle Teile vor der Montage vor sich auszubreiten. Ein Teleskop ist ein optisches Präzisionsinstrument und muss daher mit Vorsicht behandelt werden. Das gilt besonders für den eingebauten Computer, den Tubus, die Okulare und die verschiedene Zubehörlinsen.

AUFSTELLUNG VON STATIV UND ZUBEHÖRABLAGE

1. Stellen Sie den computergesteuerten Star Locator von Northstar und die befestigten Stativbeine in aufrechte Position. Breiten Sie dann die Stativbeine in bequemem Abstand aus.
2. Klappen Sie die Klammern für die Zubehörablage aus und setzen Sie die Zubehörablage darauf (siehe Schnellmontagediagramm).
3. Drehen Sie die Zubehörablage, bis sie einrastet.
4. Stellen Sie die Stativhöhe ein, indem Sie den Hebel des Stativs lösen und die Stativbeine auf die gewünschte Länge ausfahren. Danach den Hebel des Stativs wieder feststellen.

MONTAGE DES TELESKOPTUBUS

1. Nehmen Sie den Teleskoptubus zur Hand.
2. Entfernen Sie die Flügelmuttern des Teleskoptubus an der Seite des Tubus (siehe Schnellmontagediagramm).
3. Führen Sie die Befestigungsbolzen des Teleskoptubus durch die Schelle des Teleskoptubus oben auf dem computergesteuerten Star Locator von Northstar. Achten Sie darauf, dass das Teleskop in die richtige Richtung weist. (Das Logo auf dem Teleskoptubus muss auf der rechten Seite oben positioniert sein.)
4. Befestigen Sie nach der Montage von Teleskoptubus und computergesteuertem Star Locator die Flügelmuttern des Teleskoptubus erneut am Befestigungsbolzen des Teleskoptubus.

MONTAGE DES TELESKOPZUBEHÖRS

1. Nehmen Sie das Red-Dot-Sucherfernrohr zur Hand.

Für Reflektorteleskope: Lösen Sie die Befestigungsmuttern am Teleskoptubus. Platzieren Sie das Sucherfernrohr auf den Befestigungsbolzen des Sucherfernrohrs und befestigen Sie die Flügelmuttern des Sucherfernrohrs erneut an den Montagebolzen des Sucherfernrohrs.

Hinweis: Das größere Ende des Sucherfernrohrs muss auf das offene Ende des Teleskoptubus gerichtet sein.

2. Setzen Sie das Okular mit der kleinen Vergrößerung ein.

Für Reflektorteleskope: Setzen Sie das Okular mit der kleinsten Vergrößerung in den Auszug ein. Ziehen Sie dazu die Einstellschraube des Okulars heraus und setzen Sie das Okular vollständig ein.

3. Ziehen Sie alle Stellschrauben fest, um das Zubehör zu sichern.
4. Entfernen Sie die Schutzkappe des Objektivs, so dass das offene Ende des Teleskops jetzt ganz frei liegt.

AUSWAHL DES OKULARS

Beginnen Sie Ihre Beobachtungen stets mit dem Okular mit der geringsten Vergrößerung. Das ist normalerweise die 20-mm-Linse. Hinweis: Die Ausgangsleistung eines Okulars wird von der Brennweite der Objektivlinse des Teleskops bestimmt. Die Leistung eines Okulars lässt sich mit folgender Formel berechnen: Brennweite der OBJEKTIV-Linse des Teleskops geteilt durch die Brennweite des OKULARS = VERGRÖSSERUNG (bei der 20-mm-Linse sähe die Rechnung z. B. so aus: $750 \text{ mm} / 20 = 38x$ oder Vergrößerung 38. Die Teleskopmodelle haben unterschiedliche Brennweiten.)

Im Lieferumfang dieses Teleskops ist eine Barlowlinse enthalten. Barlowlinsen werden eingesetzt, um die Leistung eines Teleskops zu verdoppeln oder zu verdreifachen. Setzen Sie die Barlowlinse zwischen dem Fokussiertubus und dem Okular ein. Geht man vom obigen Beispiel aus, würden Sie mit ihrer 3fach-Barlowlinse eine Gesamtleistung von 114x bzw. 114fache Leistung erhalten. ($38 \times 3 = 114x$ bzw. 114fache Leistung). Die Vergrößerungsberechnung sähe so aus: $750 \text{ mm} / 20 \text{ mm} = 38$. $38 \times 3 = 114$.

AUSFÜHRLICHE MONTAGEANLEITUNG

FOKUSSIEREN DES TELESKOPS

1. Richten Sie nach Auswahl des gewünschten Okulars den Teleskoptubus auf ein am Boden befindliches Ziel in mindestens 200 m Entfernung (z. B. einen Telegrafmasten oder ein Gebäude).
2. Den Fokussiertubus durch Drehen am Zahnstangentrieb ganz ausfahren.
3. Beim Blick durch das ausgewählte Okular (in diesem Fall 20 mm) den Fokussiertubus durch Drehen am Zahnstangentrieb langsam einfahren, bis das Objekt in den Brennpunkt kommt.

MONTAGE VON COMPUTERSTEUERUNG UND BATTERIE

1. Nehmen Sie die Computersteuerung und das Kabel zur Hand.
2. Suchen Sie den Batteriefachdeckel am Sockel des computergesteuerten Star Locator.
3. Entfernen Sie den Batteriefachdeckel und setzen Sie eine 9-V-Batterie ein.
4. Schließen Sie den Batteriefachdeckel.
5. Schließen Sie die Computersteuerung mit dem Kabel am Sockel des computergesteuerten Star Locator an.

AUSRICHTEN DES SUCHERFERNROHRS

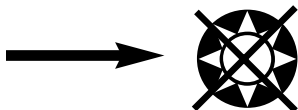
Blicken Sie durch den Teleskoptubus und machen Sie ein gut erkennbares Ziel aus (siehe Abschnitt Fokussieren des Teleskops).

Entfernen Sie den Plastikschutz zwischen der Batterie des Red-Dot-Sucherfernrohrs und der Batterieklemme.

Schalten Sie das Red-Dot-Sucherfernrohr ein.

Drehen Sie beim Blick durch das Red-Dot-Sucherfernrohr an den Einstellrädchen, bis sich der rote Punkt genau im Zentrum des Objekts befindet, das bereits im Sehfeld des Teleskoptubus zentriert wurde.

Jetzt werden alle Objekte, die zuerst mit dem Red-Dot-Sucherfernrohr lokalisiert wurden, im Sehfeld des Teleskops zentriert.



Mit dem Teleskop niemals direkt in die Sonne schauen!



Ihre Augen können irreparable Schäden erleiden

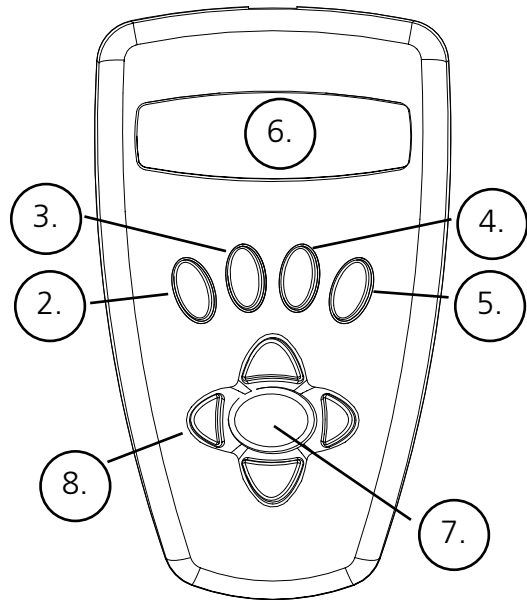
1. Ermitteln Sie zunächst ein Zielobjekt. Als guter Ausgangspunkt dient jedes helle Objekt am Nachthimmel. Einer der beliebtesten Ausgangspunkte in der Astronomie ist der Mond – ein Objekt, das dem Anfänger unter den Astronomen genauso viel Spaß macht wie dem erfahrenen Veteranen. Nachdem Sie einige Erfahrungen gesammelt haben, bieten sich andere Objekte an. Saturn, Mars, Jupiter und Venus sind ideal als nächste Versuchsobjekte.
2. Der erste Schritt nach der ordnungsgemäßen Montage des Teleskops ist die Zentrierung des gewünschten Objekts im Fadenkreuz des Sucherfernrohrs. Wenn Sie bei der Ausrichtung des Sucherfernrohrs erfolgreich waren, zeigt der Blick durch den Teleskoptubus bei geringer Vergrößerung jetzt das gleiche Bild an. Mit dem Okular mit der kleinsten Leistung (das mit der größten Zahl beschriftet ist) sollten Sie jetzt in der Lage sein, das gleiche Bild zu fokussieren, das Sie durch das Sucherfernrohr sehen konnten. Widerstehen Sie der Versuchung, gleich mit der stärksten Vergrößerung zu arbeiten. Das Okular mit der geringen Vergrößerung gibt Ihnen ein größeres Sehfeld und ein helleres Bild, was Ihnen die Suche nach einem Zielobjekt erheblich erleichtert. An diesem Punkt haben Sie mit einem fokussierten Bild in beiden Fernrohren das erste Hindernis überwunden. Wenn Sie nach einem Fokussierversuch kein Bild erkennen können, sollten Sie unter Umständen Ihr Sucherfernrohr neu ausrichten. Nach Überwindung dieser Hürde hat sich die Zeit für die Ausrichtung gelohnt. Jedes Objekt, das Sie im Sucherfernrohr zentrieren, kann jetzt problemlos im Teleskoptubus gefunden werden. So können Sie sich unbeschwert auf die Erkundungsreise durch den Nachthimmel begeben.
3. Okulare geringer Vergrößerung sind ideal für die Betrachtung von Vollmond, Planeten, Sternhaufen, Nebeln und sogar Konstellationen. Damit verschaffen Sie sich eine solide Grundlage. Um mehr Detailansichten zu erhalten, können Sie bei einigen dieser Objekte Okulare mit einer höheren Leistung einsetzen. In sternklaren Nächten ist die Trennlinie zwischen der hellen und der dunklen Seite des Mondes, der so genannte Terminator, mit entsprechend starker Vergrößerung ein echtes Erlebnis. Durch die Spitzenhelligkeiten springen Gebirge, Bergkämme und Krater gleichsam auf Sie zu. Auch bei den Planeten und Nebeln kann man auf eine stärkere Vergrößerung umsteigen. Sternhaufen und einzelne Sterne lassen sich in jedem Fall am besten bei niedriger Leistung beobachten.
4. Das ewige nächtliche Theater am Sternenhimmel gibt ständig neue Vorstellungen. Die Positionen der Sterne verändern sich nicht nur stündlich durch Auf- und Untergang, sondern auch im Verlauf des Jahres. Während die Erde ihre Bahn um die Sonne dreht, verändert sich auch unsere Sicht auf die Sterne entsprechend dem jährlichen Kreislauf um diesen Orbit. Dass sich der Himmel täglich ebenso wie Sonne und Mond zu verschieben scheint, liegt an der Drehung der Erde um ihre eigene Achse. Als Folge davon können Sie feststellen, dass je nach eingesetzter Vergrößerung die Objekte in Ihrem Teleskop sich nach einigen Minuten oder bereits nach Sekunden bewegen. Besonders bei stärkeren Vergrößerungen stellt man fest, dass Mond oder Jupiter geradezu aus dem Sehfeld rasen. Die Verfolgung können Sie aufnehmen, indem Sie Ihr Teleskop einfach in die erforderliche Bahn bewegen.

HILFREICHE TIPPS

1. Ein Teleskop ist ein sehr empfindliches Instrument. Um optimale Ergebnisse zu erzielen und Schwingungen zu reduzieren, sollten Sie Ihr Teleskop statt auf einer befestigten Einfahrt oder einem Holzfußboden besser auf einem ebenen Standpunkt auf dem Boden aufstellen. So erhalten Sie eine stabilere Grundlage für Ihre Beobachtungen – besonders dann, wenn Sie mit Ihrem neuen Teleskop viele Neugierige anlocken.
2. Starten Sie Ihre Beobachtungen nach Möglichkeit von einem Standort mit sehr geringer Beleuchtung aus. Das hilft Ihnen, auch dunklere Objekte zu betrachten. Sie werden überrascht sein, wie viel mehr Sie von einem See oder Park als von einem Garten oder Hinterhof in der Stadt aus sehen können.
3. Das Teleskop sollte NIE aus einem Fenster heraus verwendet werden.
4. Betrachten Sie nach Möglichkeit Objekte, die sich hoch am Himmel befinden. Wenn Sie warten, bis das Objekt weit genug über dem Horizont ist, erhalten Sie ein helleres, klareres Bild. Die Betrachtung von Objekten am Horizont erfolgt durch mehrere Schichten Erdatmosphäre hindurch. Haben Sie sich je gefragt, warum der Mond beim Aufgehen am Horizont orangefarben erscheint? Der Grund: Sie müssen bei der Betrachtung sehr viel mehr Atmosphäre durchdringen als bei einem Blick direkt nach oben. (Anmerkung: Wenn Objekte hoch am Himmel verzerrt oder wellig erscheinen, ist die Nacht wahrscheinlich sehr feucht.) In Nächten mit instabiler Wetterlage kann der Blick durchs Teleskop frustrierend oder sogar unmöglich sein. Astronomen sprechen bei klaren Nächten von Nächten mit guter Sicht.

DIAGRAMM NORTHSTAR-COMPUTER-SCHNITTSTELLE

1. Ein-Aus-Taste (am Sockel des Northstar)
2. Zurück-Taste
3. Eingabe-Taste
4. Scroll-up-Taste
5. Scroll-down-Taste
6. LCD
7. „GO“-Taste
8. Motorisierte Bewegungstasten (4)
9. Batteriefachdeckel (am Sockel des Northstar)



TASTENFUNKTIONEN

ALLE TASTEN SIND FÜR DEN NACHTBETRIEB BELEUCHTET.

Ein-Aus-Taste: Mit der Ein-Aus-Taste wird der computergesteuerte Star Locator ein- und ausgeschaltet. Diese Taste blinkt bei Normalbetrieb. Zum Abschalten des Instruments die Ein-Aus-Taste einfach drei Sekunden lang gedrückt halten und dann loslassen. (Anmerkung: Der computergesteuerte Star Locator schaltet sich nach 10 Minuten Inaktivität automatisch ab.)

Zurück-Taste: Diese Taste dient dazu, zur vorherigen Betriebsart und/oder Eingabeebene zurückzukehren.

Eingabe-Taste: Mit dieser Taste können Sie Menüpunkte auswählen. Wenn Sie auf die Taste „Enter“ drücken, stellt sich das Northstar auf die gewählte Ebene ein. Erscheint ein Objektname oder eine Nummer auf dem Display, können Sie durch Betätigen dieser Taste auch eine gesprochene Beschreibung hören. Gleichzeitig erscheint ein Scroll-Text mit der Beschreibung des Objekts.

Scroll-up-Taste: Mit dieser Taste können Sie nach oben durch die verschiedenen Menüs im Northstar blättern. Jedes Mal, wenn ein Text/eine Zahl aufblinkt, kann man mit der Scroll-Taste die verschiedenen Punkte des betreffenden Menüs anzeigen. (Hinweis: zur Auswahl einer Option einfach die Eingabe-Taste drücken.)

Scroll-down-Taste: Mit dieser Taste können Sie nach unten durch die verschiedenen Menüs im Northstar blättern. Jedes Mal, wenn ein Text/eine Zahl aufblinkt, kann man mit der Scroll-Taste die verschiedenen Punkte des betreffenden Menüs anzeigen.

(Hinweis: zur Auswahl einer Option einfach die Eingabe-Taste drücken.)

„GO“-Taste: Durch Betätigen der GO-Taste wird ein auf dem Display angezeigtes Objekt automatisch zentriert. Beim Druck auf die „GO“-Taste findet das Teleskop automatisch das ausgewählte Objekt und verfolgt es so lange, bis die Taste „GO“ erneut betätigt wird.

Motorisierte Bewegungstasten: Diese vier multidirektionalen Tasten ermöglichen es dem Anwender, das Tracking-System zu umgehen und das Teleskop mit Hilfe der Motoren manuell in eine andere Richtung zu steuern. Je länger diese Tasten gedrückt werden, desto schneller bewegt sich das Northstar, bis es seine maximale Geschwindigkeit erreicht hat.

LCD

Die Flüssigkristallanzeige (LCD) ist ein zweizeiliges Display mit sechzehn Zeichen. Das Display ist ebenso wie die anderen Tasten für den nächtlichen Betrieb beleuchtet.

ÜBERSICHT ÜBER DIE BETRIEBSMODI

Explore: Im Modus Explore können Sie mit dem Northstar unterschiedliche astronomische Objekte kategorisiert nach Typ erkunden. Die Objekte fallen in eine oder mehrere der folgenden Kategorien: Deep Sky, Planeten, Konstellationen und Sterne. Viele dieser Oberbegriffe sind im Menü zusätzlich in weitere Unterkategorien unterteilt. (Eine vollständige Liste der Menüfunktionen und -optionen finden Sie im Menübaum.)

Sky Tour: Im Modus Sky Tour können Sie mit dem Northstar auf eine Schnellreise durch die besten und hellsten Objekte des jeweiligen Monats gehen. Bei Eingabe des Datums in das System stellt sich der Modus Sky Tour automatisch auf diesen Monat ein. Die Auswahl von Objekten kann mit Hilfe der Up- oder Down-Pfeile und anschließendem Drücken der Eingabe-Taste erfolgen. Nähere Informationen über ein bestimmtes Objekt erhalten Sie durch Drücken der Eingabe-Taste, wenn das Objekt angezeigt ist. Es erscheint dann ein Text.

Telescope: Im Modus Telescope liefert das Northstar Echtzeitdaten über den Ort, auf den das Teleskop gerichtet ist. Die astronomischen Koordinaten für Rektaszension (englisch: Right Ascension = RA) und Deklination (englisch: Declination = DEC) sowie Höhe (englisch: Altitude = ALT) und Azimuth (AZ) werden gleichzeitig angezeigt. Darüber hinaus erscheint in der unteren rechten Ecke die Abkürzung für die aktuelle Konstellation, auf die das Teleskop zeigt.

Identify: Im Modus Identify bietet das Northstar die Möglichkeit, jedes Objekt im Sehfeld Ihres Teleskops zu identifizieren. Unterkategorien verschiedener Klassen von identifizierbaren Objekten sind ebenso enthalten wie die Option zur Identifizierung jedes beliebigen Objekts.

Align Earth: Im Modus Align Earth können Sie Ihr Northstar-Teleskop unter Einsatz allgemeiner Informationen, die auch jeder Laie kennt, problemlos ausrichten. Durch Eingabe einfacher Daten wie Zeit, Datum und Stadt ist jeder Anfänger in der Lage, innerhalb weniger Minuten die umfangreiche Datenbank astronomischer Objekte im Northstar zu erkunden.

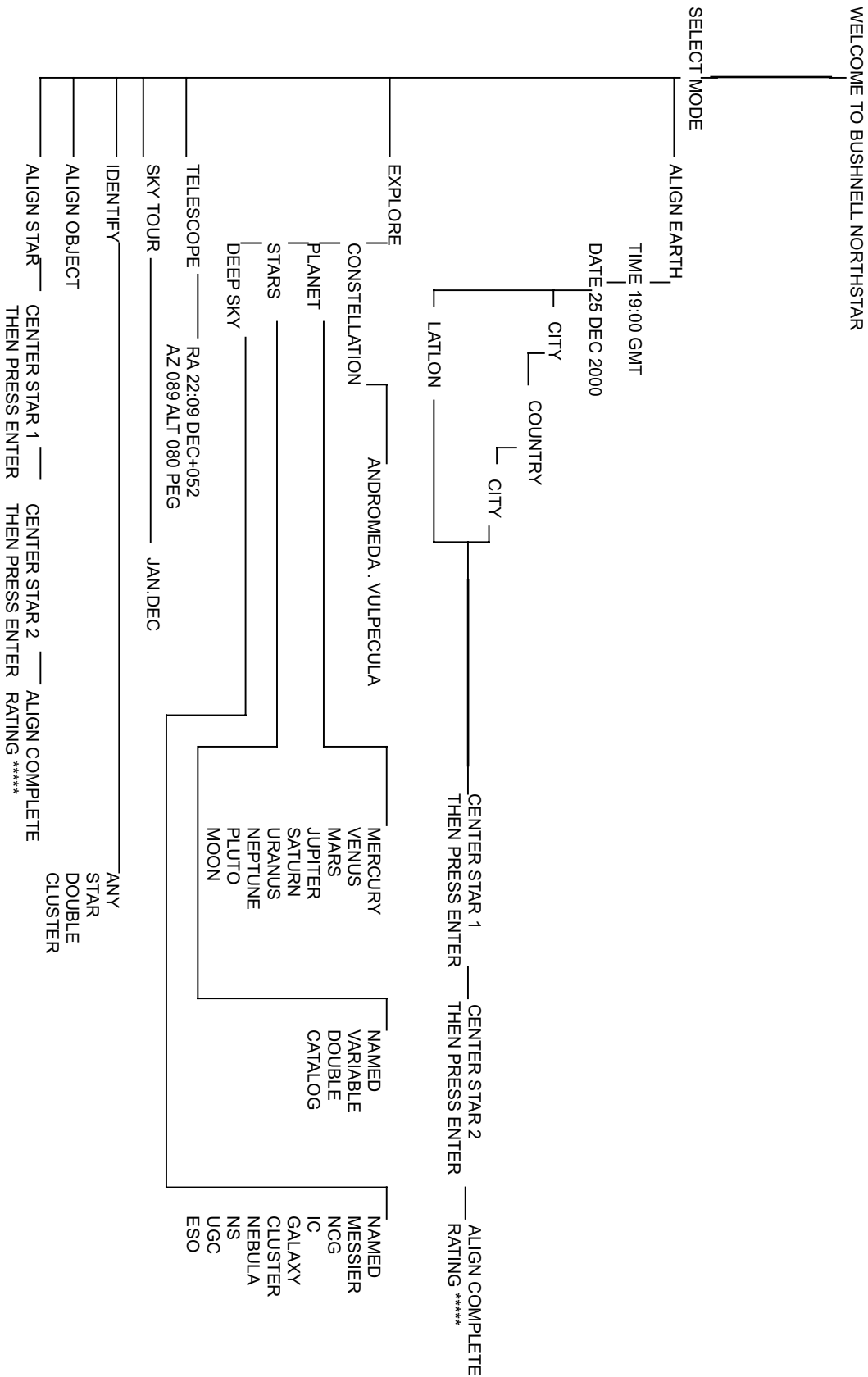
Align Star: Im Modus Align Star können Sie ihr Northstar-Teleskop mit Hilfe einiger astronomischer Kenntnisse ausrichten. Wenn der Benutzer die Position von zwei Sternen am Himmel kennt, kann er die Eingabe von Stadt, Datum und Zeit umgehen und die Datenbank des Northstar blitzschnell zum Auffinden faszinierender astronomischer Objekte nutzen.

Align Object: Im Modus Align Object im Northstar können Sie die Ausrichtung Ihres Teleskops während der Himmelsbeobachtung verbessern. Diese Funktion ist zum Beispiel sehr praktisch, wenn der Hund der Familien gegen das Teleskop gestoßen ist. In diesem Modus können Sie das Teleskop auf ein beliebiges bekanntes Objekt zentrieren und anschließend durch Wahl von Select Object die Ausrichtung des Northstar schnell wiederherstellen, um den Abend ungestört weiter mit der Beobachtung genießen zu können.

MENÜÜBERSICHT

BUSHNELL NORTHSTAR COMPUTER MENU STRUCTURE

(For Step-By-Step Easy Use Refer to Quick Reference Guide)



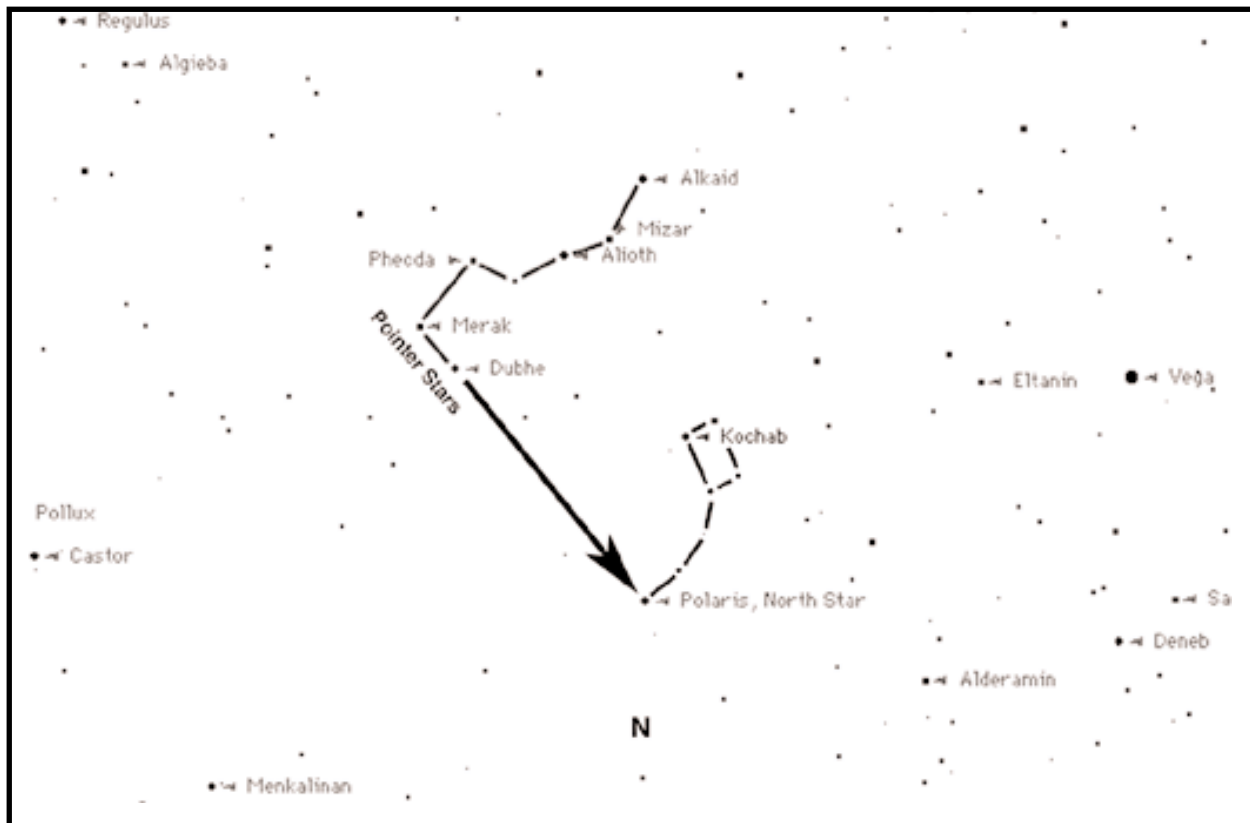
DIE ERSTAUSRICHTUNG DES NORTHSTAR

(HINWEIS: Achten Sie darauf, dass das Teleskop auf einem ebenen Untergrund aufgestellt wird.)

SCHRITT 1: AUSRICHTUNG NACH NORDEN

Richten Sie das Teleskop in Richtung Norden aus.

Hinweis: Versuchen Sie lediglich, das Teleskop relativ nahe in Richtung Norden auszurichten. Die Ausrichtung wird im Laufe der nächsten Schritte verfeinert. Wenn Sie jedoch in der Lage sind, den großen Bären mit seinen Orientierungsternen zu finden, können Sie einfach dem Pfeil auf dem Diagramm zum Polarstern folgen. Der Polarstern liegt genau im Norden!



Beim Einschalten des Teleskops erscheint folgende Scroll-Anzeige:

```
BUSHNELL NORTHSTAR Ux.x
```

Im Anschluss daran führt das Teleskop eine Diagnoseprüfung durch und richtet den Teleskoptubus im Verhältnis zur Montierung aus.

Anschließend erscheint das Startmenü:

```
SELECT MODE  
ALIGN EARTH ↑↓
```

Dieser Modus geht davon aus, dass auch ungeübte Teleskopanwender ohne Astronomiekenntnisse in der Lage sind, das Teleskop in einigen einfachen Schritten auszurichten.

Die Option ALIGN EARTH leuchtet auf.

Drücken Sie ENTER zur Auswahl der Option ALIGN EARTH.

ANMERKUNG: JEDER PUNKT, DER AUF DEM DISPLAY AUFLEUCHTET, STELLT EINE MENÜWAHL DAR. ANDERE OPTIONEN FINDEN SIE MIT HILFE DER SCROLL-UP- ODER SCROLL-DOWN-TASTEN.

DIE ERSTAUSRICHTUNG DES NORTHSTAR

SCHRITT 2: EINSTELLEN DER ZEIT

Mit Hilfe der Tasten SCROLL UP und SCROLL DOWN und der Taste ENTER können Zeit und Zeitzone problemlos eingestellt werden. Bei jeder aufblinkenden Option ist die entsprechende Ziffer einzugeben. Bestätigen Sie die richtige Zahl durch Drücken der Taste ENTER. Stellen Sie dann die nächste Blinkoption ein, bis Zeit und Zeitzone eingestellt sind.

SCHRITT 3: DATUM EINSTELLEN

Das Datum kann mit Hilfe der Tasten SCROLL UP und SCROLL DOWN sowie der Taste ENTER ebenso problemlos eingestellt werden. Geben Sie die entsprechende Ziffer oder den Monat für jede Blinkoption ein. Bestätigen Sie dann die korrekt angezeigte Angabe durch Drücken der Taste ENTER. Geben Sie dann die Angabe für die nächste Blinkoption ein, bis Tag, Monat und Jahr eingestellt sind.

SCHRITT 4: STANDORT EINSTELLEN

Die nächste Bildschirmanzeige erscheint:

```
ALIGN EARTH  
CITY ++
```

CITY blinkt auf. Drücken Sie die Taste ENTER. Auf dem Display erscheint jetzt:

```
COUNTRY  
U.S.A. ++
```

Das Land blinkt auf.

Wählen Sie das richtige Land erneut mit Hilfe der Tasten SCROLL UP und SCROLL DOWN und bestätigen Sie dann mit ENTER. Nach Auswahl des entsprechenden Landes und Drücken der Taste ENTER wählen Sie die nächstgelegene Stadt aus. Drücken Sie ENTER, sobald diese angezeigt wird.

ANMERKUNG: WÄHLEN SIE DIE STADT, DIE IHREM BEOBACHTUNGSSTANDORT AM NÄCHSTEN LIEGT. DIESER SCHRITT IST NICHT SO WICHTIG, DIE AUSRICHTUNG WIRD IN DEN NÄCHSTEN SCHRITTEN AUTOMATISCH VERBESSERT.

Nach Eingabe von vier einfachen Kriterien, die jeder Kunde wissen dürfte, kennt das Teleskop jetzt die Position von über 20.000 astronomischen Objekten am Nachthimmel mit relativer Genauigkeit. In nur zwei weiteren Schritten erhalten Sie eine hundertprozentige Genauigkeit.

Das Teleskop führt Sie jetzt durch einen einfachen Ausrichtungsprozess mit Hilfe von zwei Sternen. SIE BRAUCHEN DAZU KEINERLEI KENNTNIS ÜBER STERNENPOSITIONEN. Befolgen Sie einfach nur die Anweisungen.

Die Scroll-Anzeige CENTER STAR 1 erscheint. Drücken Sie die Taste ENTER.

Auf dem Display erscheint die Meldung:

```
CENTER STAR 1  
+120 +52 MIZAR
```

Drücken Sie die Taste „GO“ und das Teleskop bewegt sich automatisch in die Nähe des ersten Leitsterns – in diesem Fall der MIZAR

Die Leitsterne sind die hellsten Sterne in dem jeweiligen Himmelsbereich. Das Northstar ermittelt den Leitstern automatisch. Auf dem Display erscheint::

```
CENTER STAR 1  
O◊O O◊O MIZAR
```

DIE ERSTAUSRICHTUNG DES NORTHSTAR

Beachten Sie Folgendes: Wenn Sie sich von einem Objekt von über zehn Grad auf unter zehn Grad fortbewegen, stellt sich das Display auf Zehntelgrade ein, wobei die Pfeile die Funktion des Dezimalkommata übernehmen (Beispiel 8(up arrow)5 = 8,5 Grad unter dem Objekt).

Nach Festlegung des Sterns befolgen Sie bitte einfach die Anweisung auf der Anzeige – CENTER STAR 1. Sie müssen also den Stern zentrieren. Anders gesagt: Der Stern kann im Okular Ihres Teleskops in der unteren linken Ecke des Okulars erscheinen.

Zentrieren Sie den Stern im Sehfeld beim Blick durch das Okular mit Hilfe der motorisierten Bewegungstasten oder durch manuelle Bewegung und drücken Sie ENTER.

Der Abstand des Objekts vom Zentrum hat damit zu tun, wie weit außerhalb einer Stadt Sie sich befinden oder wie genau das Teleskop nach Norden ausgerichtet ist.

Wiederholen Sie diesen Vorgang für STAR 2 und drücken Sie ENTER.

Nach Abschluss dieses Schrittes erscheint auf dem Display:

```
ALIGN COMPLETE  
RATING *****
```

(Anmerkung: Je mehr Sterne in der zweiten Display-Zeile erscheinen, umso besser; bis 5 sind möglich.)

Nachdem die Ausrichtung mit Hilfe der beiden Sternen abgeschlossen ist, kennt Northstar jetzt mit hundertprozentiger Genauigkeit die Position von mehr als 20.000 Objekten!!

DER ERSTE EINSATZ DES NORTHSTAR

Nach EARTH ALIGN erscheint Folgendes auf dem Display:

```
SELECT MODE  
EXPLORE ++
```

Wählen Sie EXPLORE, indem Sie auf ENTER drücken. Blättern Sie mit den Tasten SCROLL UP und DOWN durch das Menü, um zu sehen, welche Menüpunkte aufblincken. Wählen Sie PLANET. Planeten sind am interessantesten. Auch für Anfänger können die Objekte unter PLANET äußerst spannend sein.

Drücken Sie ENTER, wenn folgende Anzeige erscheint:

```
EXPLORE  
PLANET
```

Das führt Sie zu einer Liste mit benannten Objekten unter dem Stichwort PLANET. Mit Hilfe der Tasten SCROLL UP und SCROLL DOWN können Sie nun die verschiedenen Objekte in dieser Liste erkunden.

```
PLANET  
JUPITER ++
```

Drücken Sie ENTER, um den PLANETEN Ihrer Wahl zu betrachten. Auf dem Display erscheint:

```
PLANET  
+120 +52 JUPITER
```

ANMERKUNG: BEFINDET SICH EIN OBJEKT UNTER DEM HORIZONT, ZEIGT DAS DISPLAY IN ABSTÄNDEN DAS WORT „HORIZON“ an.

DER ERSTE EINSATZ DES NORTHSTAR

Fahren Sie mit SCROLL UP oder SCROLL DOWN durch die Liste, um die anderen PLANETEN darin zu betrachten. Das Display gibt Ihnen Richtungshinweise zu jedem Objekt. Welche Wahl aber hat ein Neuling, der mehr über das Objekt herausfinden will? Es wäre doch schön, mehr darüber zu erfahren, bevor man das Teleskop bewegt?

Drücken Sie ENTER, wenn:

```
PLANET
+120 +52 JUPITER
```

oder ein anderer PLANET angezeigt wird. Eine Scroll-Anzeige erscheint. Sie informiert über die Koordinaten des Objekts, seine Helligkeit, seine Größe, seinen richtigen Namen, seine Konstellation und gibt darüber hinaus eine Kurzbeschreibung des Objekts. Für JUPITER sieht das so aus:

```
JUPITER fifth Planet from sun.
Largest Planet in solar system.
16 moons. Orbit is 11.86 years.
Diameter 143,000 km. Named for roman king of gods.
```

Damit können Sie Ihre Kinder sicher sehr beeindrucken (oder umgekehrt). Schon nach zehn Minuten erfahren Sie bei ihrer ersten Himmelerkundung Wissenswertes über astronomische Objekte und bilden sich auf spannende Art weiter!!

Um das Objekt zu finden, einfach die Taste „GO“ drücken und es erscheint rechts im Okular des Teleskops!

Durch Drücken der Taste BACK gelangen Sie immer zurück zur vorherigen Ebene. Wenn Sie die Taste dreimal drücken, sind Sie wieder im Hauptmenü. Auf dem Bildschirm erscheint folgender Text:

```
SELECT MODE
EXPLORE ++
```

Wählen Sie mit Hilfe der Tasten SCROLL UP or SCROLL DOWN

```
SELECT MODE
SKY TOUR ++
```

aus und drücken Sie ENTER.

Dieser Modus führt Sie zu den interessantesten und hellsten Objekten des jeweiligen Monats. Wenn Sie die Ausrichtung unter ALIGN EARTH durchgeführt und das Datum eingegeben haben, gelangen Sie automatisch zum laufenden Monat. Sie wissen nicht, was sich hinter einigen dieser geheimnisvollen Objekte und Abkürzungen verbirgt? Mehr Informationen erhalten Sie durch Drücken von ENTER.

Drücken Sie die Taste BACK, bis Sie zurück im Hauptmenü sind:

```
SELECT MODE
SKY TOUR ++
```

Betätigen Sie die Taste SCROLL UP oder SCROLL DOWN, bis Folgendes auf dem Display erscheint:

```
SELECT MODE
IDENTIFY ++
```

Drücken Sie ENTER

Dieser Modus führt automatisch zur Ebene

```
IDENTIFY ANY
```

DER ERSTE EINSATZ DES NORTHSTAR

Wenn Sie diese Option durch Drücken der Taste ENTER wählen, wird entweder das Objekt, das sie gerade betrachten, oder das nächstgelegene Objekt in Blickrichtung Ihres Teleskops identifiziert. Sie haben auch die Möglichkeit, andere Arten von IDENTIFY-Menüs zu wählen. So erhalten Sie zum Beispiel Auskunft über die Cluster und Nebel, die Ihrer aktuellen Teleskopposition am nächsten sind.

Um zum letzten Modus zu gelangen, ENTER drücken, wenn folgende Anzeige erscheint:

```
SELECT MODE  
TELESCOPE ↕↕
```

Auf dem Display erscheint eine Anzeige in der Art:

```
RA18:53 DEC+38.7  
AZ280 ALT+62 LYR
```

Der Modus TELESCOPE gibt Ihnen Echtzeitinformationen über die astronomischen Koordinaten Ihrer aktuellen Teleskopstellung. Spielen Sie in diesem Modus ein wenig herum, indem Sie das Teleskop bewegen. Achten Sie auf die Abkürzung mit den drei Buchstaben unten rechts im Display. Das ist die Anzeige der aktuellen KONSTELLATION, auf die Ihr Teleskop gerichtet ist. Die Namen sind in diesem Modus abgekürzt. Erläuterungen der Abkürzungen finden Sie im Katalogindex.

GARANTIE/REPARATUR

BESCHRÄNKTE LEBENSLANGE GARANTIE* auf Teleskope

Sie erhalten für Ihr Bushnell®-Teleskop eine lebenslange Garantie. Die Garantie gilt für den Erstbesitzer und erstreckt sich auf Material- und Herstellungsfehler. Die beschränkte lebenslange Garantie* ist Ausdruck unseres Vertrauens in die Materialien und die mechanische Ausführung unserer Produkte und gewährleistet Ihnen einen lebenslangen zuverlässigen Kundendienst.

Wenn Ihr Teleskop elektrische Bauteile enthält, garantieren wir für einen Zeitraum von zwei Jahren ab dem Kaufdatum, dass diese Bauteile frei von Material- und Herstellungsfehlern sind.

Für den Fall, dass ein Mangel im Rahmen dieser Garantie auftritt, werden wir das Produkt nach unserer Wahl reparieren oder austauschen, vorausgesetzt, dass Sie das Produkt freigemacht zurückschicken. Von dieser Garantie ausgeschlossen sind Schäden, die auf Missbrauch, unsachgemäße Behandlung, Installations- oder Wartungsarbeiten, die nicht von einer autorisierten Bushnell-Kundendienstabteilung vorgenommen werden, zurückzuführen sind.

Jeder Rücksendung im Rahmen dieser Garantie müssen folgende Dokumente und Angaben beigefügt werden:

- 1) Ein Scheck/eine Zahlungsanweisung in Höhe von 15,00 USD zur Abdeckung der Porto- und Bearbeitungskosten
- 2) Name und Anschrift für die Rücksendung des Produkts
- 3) Eine Erläuterung des Mangels
- 4) Nachweis des Kaufdatums
- 5) Das Produkt sollte zur Vermeidung von Transportschäden gut verpackt in einem stabilen Versandkarton an die nachstehend aufgeführte Adresse geschickt werden, wobei die Gebühren für die Rücksendung im Voraus zu entrichten sind.

Adresse für Rücksendungen in die USA:

Bushnell Performance Optics
Attn.: Repairs
8500 Marshall Drive
Lenexa, Kansas 66214

Adresse für Rücksendungen nach KANADA:

Bushnell Performance Optics
Attn.: Repairs
25A East Pearce Street, Unit 1
Richmond Hill, Ontario L4B 2M9

Bei Produkten, die Sie außerhalb der Vereinigten Staaten oder Kanadas gekauft haben, erhalten Sie die entsprechenden Informationen zur Garantie von ihrem Händler vor Ort. In Europa erreichen Sie Bushnell auch unter: 33 141 44 94 80

Bushnell Performance Optics Service Centre
Columbusstraat 25
3165 AC Rotterdam
Niederlande

Mit dieser Garantie erwerben Sie bestimmte Rechtsansprüche.
Sie haben möglicherweise darüber hinaus noch andere Rechte, die von Land zu Land variieren.

©2002 Bushnell Corporation

CATALOG INDEX

CATALOG INDEX

The following appendix information is more thorough information than that listed in the main instruction manual. For sake of space, the complete 20,000 object catalog is not listed. However, we have included the entire star list and the entire Messier object lists for your information. In addition, the constellation abbreviations are defined that are found in the Northstar system.

ANNEXE

L'information de l'annexe qui suit (pages 37 à 42) est plus détaillée que celle qui figure dans le manuel d'instructions principal. Pour raison d'espace, le répertoire complet des 20 000 objets n'apparaît pas. Nous avons toutefois inclus, pour votre information, la liste entière des étoiles et les listes d'objets Messier entières. De plus, les abréviations des constellations se trouvant dans le dispositif Northstar sont expliquées.

ÍNDICE DEL CATÁLOGO

La siguiente información del catálogo (páginas 37-42) es una información más completa que la que aparece en el manual de instrucción principal. Por motivos de espacio, no se listan los 20,000 objetos del catálogo. Sin embargo, para su información hemos incluido la lista entera de estrellas de las listas de objetos Messier. Además, las abreviaturas por las que vienen definidas las constelaciones se encuentran en el sistema Northstar.

KATALOGINDEX

In den nachfolgenden Anhängen (Seite 37–42) finden Sie ausführlichere Informationen, die die Angaben in der Bedienungsanleitung ergänzen. Aus Platzgründen ist der komplette Katalog mit 20.000 Objekten nicht aufgeführt. Zu Ihrer Information enthalten ist jedoch die komplette Sternliste sowie die komplette Liste der Messier-Objekte. Darüber hinaus werden die Konstellationsabkürzungen im Northstar-System erklärt.

CONSTELLATION ABBREVIATIONS

Andromeda (And)	Lacerta (Lac)
Antila (Ant)	Leo (Leo)
Apus (Aps)	Leo Minor (LMi)
Aquarius (Aqr)	Lepus (Lep)
Aquila (Aql)	Libra (Lib)
Ara (Ara)	Lupus (Lup)
Aries (Ari)	Lynx (Lyn)
Auriga (Aur)	Lyra (Lyr)
Bootes (Boo)	Mensa (Men)
Caelum (Cae)	Microscopium (Mic)
Camelopardis (Cam)	Monoceros (Mon)
Cancer (Cnc)	Musca (Mus)
Canes Venatici (CVn)	Norma (Nor)
Canis Major (CMa)	Octans (Oct)
Canis Minor (CMi)	Ophiuchus (Oph)
Capricornus (Cap)	Orion (Ori)
Carina (Car)	Pavo (Pav)
Cassiopeia (Cas)	Pegasus (Peg)
Centaurus (Cen)	Perseus (Per)
Cepheus (Cep)	Phoenix (Phe)
Cetus (Cet)	Pictor (Pic)
Chameleon (Cha)	Pisces (Psc)
Circinus (Cir)	Piscis Austrinus (PsA)
Columbia (Col)	Puppis (Pup)
Coma Berenices (Com)	Pyxis (Pyx)
Corona Australis (CrA)	Reticulum (Ret)
Corona Borealis (CrB)	Sagitta (Sge)
Corvus (Crv)	Sagittarius (Sgr)
Crater (Crt)	Scorpius (Sco)
Crux (Cru)	Sculptor (Scl)
Cygnus (Cyg)	Scutum (Sct)
Delphinus (Del)	Serpens (Ser)
Dorado (Dor)	Sextans (Sex)
Draco (Dra)	Taurus (Tau)
Equuleus (Equ)	Telescopium (Tel)
Eridanus (Eri)	Triangulum (Tri)
Fornax (For)	Triangulum Australe (TrA)
Gemini (Gem)	Tucana (Tuc)
Grus (Gru)	Ursa Major (UMa)
Hercules (Her)	Ursa Minor (UMi)
Horologium (Hor)	Vela (Vel)
Hydra (Hya)	Virgo (Vir)
Hydrus (Hyi)	Volcans (Vol)
Indus (Ind)	Vulpecula (Vul)

Catalog Index

NAME - NAME

RA - RIGHT ASCENSION (hours min.min)

DEC - DECLINATION (degrees)

MAG - MAGNITUDE

SIZE - SIZE

CON - CONSTELLATION

Messier Catalog

MESSIER CATALOG	NAME	RA	DEC	MAG	SIZE	CON	DESCRIPTION	
M001	Crab nebula supernova remnant	NGC 1952	05 34.5	+22.0	8.4	6'	Tau	nebula
M002		NGC 7089	21 33.5	-0.8	6	7'	Aqr	globular cluster highly resolved
M003		NGC 5272	13 42.2	+28.4	6	18'	Cvn	globular cluster highly resolved
M004		NGC 6121	16 23.6	-26.5	5.9	26'	Sco	globular cluster highly resolved
M005		NGC 5904	15 18.6	+02.1	6.2	13'	Ser	globular cluster highly resolved
M006	butterfly	NGC 6405	17 40.1	-32.2	4.6	25'	Sco	open cluster rich
M007		NGC 6475	17 53.9	-34.8	5	1°	Sco	open cluster bright scattered
M008	Lagoon	NGC 6523	18 03.8	-24.4	5	80'	Sgr	nebula with dust and cluster
M009		NGC 6333	17 19.2	-18.5	8	9'	Oph	globular cluster mottled
M010		NGC 6254	16 57.1	-4.1	7	8'	Oph	globular cluster highly resolved
M011	wild duck	NGC 6705	18 51.1	-6.3	6	12'	Sct	open cluster dense
M012		NGC 6218	16 47.2	-2	8	10'	Oph	globular cluster highly resolved
M013		NGC 6205	16 41.7	+36.5	5.7	23'	Her	globular cluster highly resolved
M014		NGC 6402	17 37.6	-3.3	9	6'	Oph	globular cluster
M015		NGC 7078	21 30.0	+12.2	6.5	10'	Peg	globular cluster highly resolved
M016	Eagle	NGC 6611	18 18.8	-13.8	6	7'	Ser	nebula with dust and cluster
M017	Swan	NGC 6618	18 20.8	-16.2	6	45'	Sgr	nebula
M018		NGC 6613	18 19.9	-17.1	8	7'	Sgr	open cluster bright scattered
M019		NGC 6273	17 02.6	-26.3	7	5'	Oph	globular cluster
M020	Trifid	NGC 6514	18 02.6	-23	6.3	25'	Sgr	nebula with dust
M021		NGC 6531	18 04.6	-22.5	7	10'	Sgr	open cluster rich
M022		NGC 6656	18 36.4	-23.9	6	18'	Sgr	globular cluster highly resolved
M023		NGC 6494	17 56.8	-19	7	30'	Sgr	open cluster dense
M024	small star cloud		18 15.9	-18.5	0	1.5°	Sgr	open cluster bright scattered
M025		IC 4725	18 31.6	-19.3	6	20'	Sgr	scattered group of stars
M026		NGC 6694	18 45.2	-9.4	9.5	9'	Sct	open cluster rich
M027	Dumbell	NGC 6853	19 59.6	+22.7	8	8'	Vul	planetary nebula irregular
M028		NGC 6626	18 24.5	-24.9	8	6'	Sgr	globular cluster highly resolved
M029		NGC 6913	20 23.9	+38.5	7	7'	Cyg	open cluster bright scattered
M030		NGC 7099	21 40.4	-23.2	8	6'	Cap	globular cluster highly resolved
M031	Great Andromeda Galaxy	NGC 224	00 42.7	+41.3	3.4	3°	And	very elongated galaxy dusty with bright core
M032		NGC 221	00 42.7	+40.9	8.2	8'	And	round galaxy with bright core
M033	Pinwheel	NGC 598	01 33.9	+30.7	5.7	60'	Tri	spiral galaxy structure with bright knots
M034		NGC 1039	02 42.0	+42.8	5.2	30'	Per	open cluster rich
M035		NGC 2168	06 08.9	+24.3	5.1	30'	Gem	open cluster rich
M036		NGC 1960	05 36.1	+34.1	6	12'	Aur	open cluster rich
M037		NGC 2099	05 52.4	+32.6	5.6	24'	Aur	open cluster dense
M038		NGC 1912	05 28.7	+35.8	6.4	21'	Aur	open cluster rich
M039		NGC 7092	21 32.2	+48.4	5	30'	Cyg	open cluster bright scattered
M040	Winnecke 4		12 19.8	+58.3	9	50"	UMa	double star
M041		NGC 2287	06 47.0	-20.7	4.5	38'	Cma	open cluster dense
M042	Great Orion nebula	NGC 1976	05 35.4	-5.5	4	1°	Ori	nebula
M043		NGC 1982	05 35.6	-5.3	9	20'	Ori	nebula bright with dust
M044	Behive	NGC 2632	08 40.1	+20.0	3.1	1.5°	Cnc	open cluster bright scattered
M045	Pleiades	Pleiades	03 47.0	+24.1	1.5	1.5°	Tau	scattered group of stars
M046		NGC 2437	07 41.8	-14.8	6.1	27'	Pup	open cluster dense
M047		NGC 2422	07 36.6	-14.5	4.4	30'	Pup	open cluster dense
M048		NGC 2548	08 13.8	-5.8	5.8	40'	Hya	open cluster rich
M049		NGC 4472	12 29.8	+08.0	8.4	8'	Vir	round galaxy with bright core
M050		NGC 2323	07 03.2	-8.3	6	20'	Mon	open cluster rich
M051	Whirlpool	NGC 5194	13 29.9	+47.2	8.1	11'	Cvn	spiral galaxy structure attached companion
M052		NGC 7654	23 24.2	+61.6	7	12'	Cas	open cluster dense
M053		NGC 5024	13 12.9	+18.2	8	10'	Com	globular cluster highly resolved
M054		NGC 6715	18 55.1	-30.5	9	6'	Sgr	globular cluster mottled
M055		NGC 6809	19 40.0	-31	7	15'	Sgr	globular cluster highly resolved
M056		NGC 6779	19 16.6	+30.2	8	5'	Lyr	globular cluster highly resolved
M057	Ring	NGC 6720	18 53.6	+33.0	9.7	80"	Lyr	planetary nebula ring with central star
M058		NGC 4579	12 37.7	+11.8	9.8	5'	Vir	round galaxy with bright core

M059		NGC 4621	12 42.0	+11.7	9.8	2'	Vir	elongated galaxy with bright core
M060		NGC 4649	12 43.7	+11.6	8.8	3.5'	Vir	round galaxy with bright core
M061		NGC 4303	12 21.9	+04.5	9.7	5'	Vir	spiral galaxy structure
M062		NGC 6266	17 01.2	-30.1	6.5	9'	Oph	globular cluster
M063	Sunflower	NGC 5055	13 15.8	+42.0	8.6	9'	Cvn	elongated galaxy with bright core
M064	Black eye	NGC 4826	12 56.7	+21.7	8.6	7.5'	Com	elongated galaxy dusty
M065	Leo triplet	NGC 3623	11 18.9	+13.1	9.3	10'	Leo	very elongated galaxy with bright core
M066	Leo triplet	NGC 3627	11 20.2	+13.0	9	9'	Leo	spiral galaxy structure
M067		NGC 2682	08 50.4	+11.8	7	30'	Cnc	open cluster dense
M068		NGC 4590	12 39.5	-26.8	8	9'	Hya	globular cluster highly resolved
M069		NGC 6637	18 31.4	-32.4	7.5	4'	Sgr	globular cluster
M070		NGC 6681	18 43.2	-32.3	8	4'	Sgr	globular cluster
M071		NGC 6838	19 53.8	+18.8	9	6'	Sge	globular cluster highly resolved
M072		NGC 6981	20 53.5	-12.5	8.6	3'	Aqr	globular cluster
M073		NGC 6994	20 59.0	-12.6	8.9	?	Aqr	asterism
M074		NGC 628	01 36.7	+15.8	9.2	10'	Psc	spiral galaxy structure
M075		NGC 6864	20 06.1	-21.9	8	3'	Sgr	globular cluster unresolved
M076	little dumbbell	NGC 650	01 42.4	+51.6	10.1	2'	Per	planetary nebula irregular
M077		NGC 1068	02 42.7	-0.1	8.8	7'	Cet	round galaxy with bright core
M078		NGC 2068	05 46.7	+00.1	8	8'	Ori	reflection nebula bright
M079		NGC 1904	05 24.5	-24.6	8.4	7.5'	Lep	globular cluster highly resolved
M080		NGC 6093	16 17.0	-23	7.2	9'	Sco	globular cluster mottled
M081	Bodes nebula	NGC 3031	09 55.6	+69.1	6.9	26'	Uma	spiral galaxy structure
M082		NGC 3034	09 55.8	+69.7	8.4	9'	Uma	very elongated galaxy with dust and bright knots
M083		NGC 5236	13 37.0	-29.9	8	10'	Hya	barred spiral galaxy structure
M084		NGC 4374	12 25.1	+12.9	9.3	4'	Vir	round galaxy with bright core
M085		NGC 4382	12 25.4	+18.2	9.3	5'	Com	round galaxy with bright core
M086		NGC 4406	12 26.2	+13.0	9.2	7'	Vir	round galaxy with bright core
M087		NGC 4486	12 30.8	+12.4	8.6	7'	Vir	round galaxy with bright core
M088		NGC 4501	12 32.0	+14.4	9.5	6'	Com	very elongated galaxy with bright core
M089		NGC 4552	12 35.7	+12.6	9.8	3'	Vir	round galaxy with bright core
M090		NGC 4569	12 36.8	+13.2	9.5	9'	Vir	very elongated galaxy with bright core
M091		NGC 4548	12 35.4	+14.5	10.2	4.5'	Com	elongated galaxy with bright core
M092		NGC 6341	17 17.1	+43.1	6.5	8'	Her	globular cluster highly resolved
M093		NGC 2447	07 44.6	-23.9	6.2	20'	Pup	open cluster dense
M094		NGC 4736	12 50.9	+41.1	8.2	5'	Cvn	elongated galaxy with bright core
M095		NGC 3351	10 44.0	+11.7	9.7	4'	Leo	barred spiral galaxy structure
M096		NGC 3368	10 46.8	+11.8	9.3	6'	Leo	round galaxy with bright core
M097	Owl	NGC 3587	11 14.8	+55.0	11	2.5'	Uma	planetary nebula irregular
M098		NGC 4192	12 13.8	+14.9	10	8.2'	Com	very elongated galaxy with bright core
M099		NGC 4254	12 18.8	+14.4	10	5'	Com	spiral galaxy structure
M100		NGC 4321	12 22.9	+15.8	9.4	7'	Com	round galaxy with bright core
M101		NGC 5457	14 03.2	+54.4	7.8	20'	Uma	spiral galaxy structure with bright knots
M102		NGC 5866	15 06.5	+55.8	10	3'	Dra	very elongated galaxy dusty with bright core
M103		NGC 581	01 33.2	+60.7	7.4	6'	Cas	open cluster rich
M104	sombrero	NGC 4594	12 40.0	-11.6	8.2	7'	Vir	edge on galaxy dusty
M105		NGC 3379	10 47.8	+12.6	9.3	4'	Leo	round galaxy with bright core
M106		NGC 4258	12 19.0	+47.3	8.3	18'	Cvn	spiral galaxy structure with bright knots
M107		NGC 6171	16 32.5	-13.1	9	7'	Oph	globular cluster
M108		NGC 3556	11 11.5	+55.7	10.1	8'	Uma	very elongated galaxy with dust and bright knots
M109		NGC 3992	11 57.6	+53.4	9.8	8'	Uma	elongated galaxy with bright core
M110		NGC 205	00 40.4	+41.7	8	17'	And	elongated galaxy

Star Catalog

STAR CATALOG	NAME	RA	DEC	MAG	SIZE	CON	DESCRIPTION	
ST001	oΣΣ254	00 01.2	+60 21	7.6	59"	Cas	colored double star	
ST002	30	00 02.0	-6	4.4	*	Psc	red variable star	
ST003	Σ3053	00 02.6	+66 06	5.9	15"	Cas	colored double star	
ST004	SU	SU AND	00 04.6	+43.5	8	*	And	red variable star
ST005	Ced214	Cederblad 214	00 04.7	+67.2	7.8	30'	Cep	emission nebula
ST006	Σ3062	ADS 61	00 06.3	+58.4	6.4	1.5"	Cas	double star challenge
ST007	Alpheratz	Alpha And	00 08.4	+29 05	2.1	*	And	star
ST008	Σ2	Struve 2	00 09.3	+79.7	6.6	0.8"	Cep	double star challenge
ST009	Kappa	β 391	00 09.4	-28 00	6.2	2"	Scl	double star challenge
ST010	Algenib	Gamma PEG	00 13.2	+15.2	2.8	*	Peg	star
ST011	AD	AD Cet	00 14.5	-7.8	4.9	1.5°	Cet	red variable star
ST012	7	7 CET	00 14.6	-18.9	4.4	*	Cet	red variable star
ST013	35 Psc	Σ12, UU Psc	00 15.0	+08 49	5.8	12"	Psc	colored double star
ST014	S	S SCL	00 15.4	-32.1	5.5	*	Scl	variable star
ST015	Σ13	Struve 13	00 16.2	+76.9	7	0.9"	Cep	double star challenge
ST016	ST	ST CAS	00 17.6	+50.3	9	*	Cas	red variable star
ST017	Groombridge34	Groombridge 34	00 18.1	+44.0	8	39"	And	double star
ST018	Σ24		00 18.5	+26 08	7.6	5"	And	double star

ST019	Iota	Iota CET	00 19.4	-8.8	3.5	*	Cet	star
ST020	VX	VX AND	00 19.9	+44.7	8	*	And	star
ST021	R		00 24.0	+38.35	5.8	Stellar	And	variable star
ST022	Σ 30		00 27.2	+49.59	6.9	15"	Cas	double star
ST023	AQ	AQ AND	00 27.6	+35.6	6.9	*	And	red variable star
ST024	Beta	Beta TUC	00 31.5	-63	4.4	27"	Tuc	double star
ST025	Σ 36	Struve 36	00 32.4	+06.9	5.7	28"	Psc	double star
ST026	Zeta	Zeta CAS	00 37.0	+53.9	3.7	*	Cas	star
ST027	Delta	Delta AND	00 39.3	+30.9	3.3	*	And	star
ST028	55		00 39.9	+21.26	5.4	6"	Psc	colored double star
ST029	Schedar	Alpha CAS	00 40.5	+56.5	2.2	*	Cas	star
ST030	$O\Sigma$ 18	ADS 588	00 42.4	+04.2	7.8	1.5"	Psc	double star challenge
ST031	HN	HN 122	00 45.7	+75.0	5.7	36"	Cas	double star
ST032	Delta	Delta PSC	00 48.7	+07.6	4.4	*	Psc	star
ST033	Eta		00 49.1	+57.49	3.4	12"	Cas	colored double star
ST034	65	65 PSC	00 49.9	+27.7	6.3	4.4"	Psc	colored double star
ST035	Do13	Dolidze 13	00 50.0	+64.1	11	13'	Cas	scattered group of stars
ST036	Lambda1	Lambda1 TUC	00 52.4	-69.5	6.5	21"	Tuc	double star
ST037	36	36 AND	00 55.0	+23.6	6	0.8"	And	double star challenge
ST038	Navi	Gamma CAS	00 56.7	+60.7	2.5	*	Cas	star
ST039	Σ 80		00 59.4	+00.47	8.4	26"	Cet	double star equal magnitude
ST040	Σ 79		01 00.1	+44.43	6	8"	And	double star equal magnitude
ST041	U		01 02.3	+81.51	6.8	Stellar	Cep	variable star
ST042	Psi-1	Σ 88, 74 Psc	01 05.6	+21.28	5.3	30"	Psc	double star equal magnitude
ST043	77	Σ 90	01 05.8	+04.55	6.8	33"	Psc	double star
ST044	Zeta	Zeta PHE	01 08.4	-55.3	3.9	6.4"	Phe	double star
ST045	Eta	Eta CET	01 08.6	-10.2	3.5	*	Cet	star
ST046	Lux Lydiae	Lux Lydiae	01 08.7	+86.3	4.3	*	Cep	star
ST047	Mirach	Beta AND	01 09.7	+35.6	2	*	And	star
ST048	Zeta	Zeta PSC	01 13.7	+07.6	5.6	23"	Psc	double star
ST049	Kappa	Kappa TUC	01 15.8	-68.9	5.1	5.4"	Tuc	double star
ST050	Z	Z PSC	01 16.2	+25.8	8.8	*	Psc	star
ST051	42	Σ 113	01 19.8	-00.31	6.4	1.6"	Cet	double star challenge
ST052	Psi	Psi CAS	01 25.9	+68.1	4.7	25"	Cas	double star magnitude contrast
ST053	R	R SCL	01 27.0	-32.5	6.1	*	Scl	variable star
ST054	Gamma	Gamma PHE	01 28.4	-43.3	3.4	4'	Phe	star
ST055	Achernar	Alpha Eri	01 37.7	-57.14	0.5	*	Eri	star
ST056	51	51 AND	01 38.0	+48.6	3.6	*	And	star
ST057	UV	UV CET	01 38.8	-18	7	*	Cet	variable star
ST058	p	p ERI	01 39.8	-56.2	5.8	11.5"	Eri	double star
ST059	Nu	Nu PSC	01 41.4	+05.5	4.4	*	Psc	star
ST060	44	44 CAS	01 43.3	+60.6	5.8	1.6"	Cas	double star
ST061	Phi	Phi PER	01 43.7	+50.7	4.1	*	Per	star
ST062	Σ 162		01 49.3	+47.54	5.8	2"	Per	triple star challenge
ST063	1	1 ARI	01 50.1	+22.3	6	2.6"	Ari	double star
ST064	Σ 163		01 51.3	+64.51	6.6	35"	Cas	colored double star
ST065	Zeta	Zeta CET	01 51.5	-10.3	3.7	3'	Cet	double star
ST066	Σ 178		01 52.0	+10.48	8.5	3"	Ari	double star equal magnitude
ST067	Gamma	Gamma ARI	01 53.5	+19.3	4.5	8"	Ari	double star equal magnitude
ST068	Psi	Psi PHE	01 53.6	-46.3	4.4	5°	Phe	red variable star
ST069	Epsilon	Epsilon CAS	01 54.4	+63.7	3.4	*	Cas	star
ST070	Σ 186	Struve 186	01 55.9	+01.9	6.8	1"	Cet	double star challenge
ST071	56	56 AND	01 56.2	+37.3	5.7	3'	And	double star
ST072	Lambda	Lambda ARI	01 57.9	+23.6	4.8	37"	Ari	double star
ST073	Upsilon	Upsilon CET	02 00.0	-21.1	4	*	Cet	star
ST074	Alpha	Alpha PSC	02 02.0	+02.8	4	1.6"	Psc	double star challenge
ST075	Almach	Gamma AND	02 03.9	+42.3	2.2	10"	And	colored double star
ST076	Hamal	Alpha ARI	02 07.2	+23.5	2	*	Ari	star
ST077	59 And		02 10.9	+39.02	5.6	16"	And	colored double star
ST078	Iota	Iota TRI	02 12.4	+30.3	5	3.8"	Tri	colored double star
ST079	Σ 231	Struve 231	02 12.8	-2.4	5.7	16.5"	Cet	double star
ST080	Σ 228	Struve 228	02 14.0	+47.5	6.6	1.1"	And	double star challenge
ST081	Σ 232		02 14.7	+30.24	8	7"	Tri	double star equal magnitude
ST082	Σ 239		02 17.4	+28.44	7	14"	Tri	double star
ST083	Mira	Omicron CET	02 19.3	-3	2	*	Cet	variable star
ST084	Iota	Iota CAS	02 29.1	+67.4	4	2.2"	Cas	triple star
ST085	Σ 268		02 29.4	+55.31	6.9	3"	Per	double star
ST086	Σ 274		02 31.5	+01.05	7.3	14"	Cet	double star equal magnitude
ST087	Polaris	Alpha UMi	02 31.8	+89.16	2	18"	UMi	double star
ST088	Omega	h 3506	02 33.9	-28.13	5	11"	For	double star
ST089	30		02 37.0	+24.38	6.5	39"	Ari	colored double star
ST090	R	R TRI	02 37.0	+34.3	5.4	*	Tri	variable star
ST091	Gamma	Gamma CET	02 43.3	+03.2	3.6	2.7"	Cet	double star
ST092	Σ 305		02 47.5	+19.22	7.4	3"	Ari	double star challenge
ST093	RZ		02 48.9	+69.38	6.2	Stellar	Cas	variable star

ST094	pi		02 49.3	+17 28	5.2	3"	Ari	triple star
ST095	Eta	Σ307	02 50.7	+55 53	3.9	28"	Per	double star magnitude contrast
ST096	R	R HOR	02 53.9	-49.9	4.7	*	Hor	variable star
ST097	Σ330	Struve 330	02 57.2	-0.6	7.3	9"	Cet	double star
ST098	Acamar	Theta ERI	02 58.3	-40.3	3.5	8"	Eri	double star
ST099	Epsilon	Epsilon ARI	02 59.2	+29.3	4.6	1.4"	Ari	double star challenge
ST100	Epsilon		02 59.2	+21 20	4.6	1"	Ari	double star challenge
ST101	Σ331		03 00.8	+52 20	5.4	12"	Per	double star
ST102	Menkar	Alpha CET	03 02.3	+04.1	2.5	*	Cet	star
ST103	Rho	Rho PER	03 05.2	+38.8	3.4	*	Per	red variable star
ST104	Σ320		03 06.2	+79 24	5.8	5"	Cep	colored double star
ST105	h3568	h3568	03 07.5	-79	5.6	15"	Hya	double star
ST106	Algol	Beta PER	03 08.2	+41.0	2.2	*	Per	variable star
ST107	Alpha	Alpha FOR	03 12.1	-29	4	5"	For	double star
ST108	h3556	h3556	03 12.4	-44.4	6	3.5"	Eri	double star
ST109	Σ362		03 16.3	+60 02	8.5	7"	Cam	double star equal magnitude
ST110	Σ369		03 17.2	+40 29	6.7	3"	Per	colored double star
ST111	ADS2446	ADS 2446	03 17.7	+38.6	7.8	0.9"	Per	double star challenge
ST112	Zeta	Zeta RET	03 18.2	-62.5	5.2	5'	Ret	double star
ST113	Tau4	Tau4 ERI	03 19.5	-21.8	3.7	*	Eri	star
ST114	Toms Topaz	Tom's Topaz	03 20.3	+29.0	4.5	9°	Ari	star
ST115	Mirfak	Alpha Per	03 24.3	+49 52	1.8	*	Per	star
ST116	Y	Y PER	03 27.7	+44.2	8.1	*	Per	variable star
ST117	Σ394		03 28.0	+20 27	7.1	7"	Ari	double star
ST118	Σ385	Struve 385	03 29.1	+59.9	4.2	2.4"	Cam	double star
ST119	Σ389		03 30.1	+59 21	6.5	2.7"	Cam	double star
ST120	Sigma	Sigma PER	03 30.6	+48.0	4.4	*	Per	star
ST121	Σ401		03 31.3	+27 34	6.4	11"	Tau	double star equal magnitude
ST122	Epsilon	Epsilon ERI	03 32.9	-9.5	3.7	*	Eri	star
ST123	Σ400	Struve 400	03 35.0	+60.0	6.8	1.4"	Cam	double star
ST124	OΣ36	O.Struve 36	03 40.0	+63.9	6.8	46"	Cam	double star
ST125	U1	U(1) CAM (?)	03 41.6	+62.6	8.1	0	Cam	variable star
ST126	Omicron	Omicron PER	03 44.3	+32.3	3.8	0	Per	star
ST127	Pi	Pi ERI	03 46.1	-12.1	4.4	*	Eri	red variable star
ST128	Gamma	Gamma HYI	03 47.2	-74.2	3.2	*	Hya	star
ST129	30	30 TAU	03 48.3	+11.2	5	9"	Tau	double star
ST130	F	Δ 16	03 48.6	-37 37	4.9	8"	Eri	double star equal magnitude
ST131	BE	BE CAM	03 49.5	+65.5	4.5	*	Cam	star
ST132	Atik	Zeta PER	03 54.1	+31.9	2.9	*	Per	star
ST133	32	32 ERI	03 54.3	-3	5	7"	Eri	colored double star
ST134	Epsilon		03 57.9	+40 01	2.9	9"	Per	double star magnitude contrast
ST135	Gamma	Gamma ERI	03 58.0	-13.5	3	*	Eri	star
ST136	Lambda	Lambda TAU	04 00.7	+12.5	3.3	*	Tau	variable star
ST137	OΣ531	ADS 2995	04 07.6	+38.1	7.4	1.4"	Per	double star challenge
ST138	SZ	Σ485	04 07.8	+62 20	7	90"	Cam	double star
ST139	Omicron2	Omicron2 ERI	04 15.2	-7.7	4.5	83"	Eri	triple star challenge
ST140	Epsilon	Epsilon RET	04 16.5	-59.3	4.4	*	Ret	star
ST141	Theta	Theta RET	04 17.7	-63.3	6.2	4"	Ret	double star
ST142	Phi	Phi TAU	04 20.4	+27.4	5	52"	Tau	double star
ST143	T		04 22.0	+19 32	8.4	Stellar	Tau	variable star
ST144	Chi	Chi TAU	04 22.6	+25.6	5.5	19.4"	Tau	double star
ST145	ADS3169	ADS 3169	04 22.7	+15.1	7.3	1.4"	Tau	double star challenge
ST146	43	43 ERI	04 24.0	-34	4	*	Eri	red variable star
ST147	β 184		04 27.9	-21 30	7.3	1.7"	Eri	double star challenge
ST148	Σ552		04 31.4	+40 01	7	9"	Per	double star equal magnitude
ST149	1		04 32.0	+53 55	5.4	10"	Cam	colored double star
ST150	Σ559		04 33.5	+18 01	6.9	3"	Tau	double star equal magnitude
ST151	46	46 ERI	04 33.9	-6.7	5.7	4'	Eri	double star
ST152	Aldebaran	Alpha TAU	04 35.9	+16.5	0.9	30"	Tau	colored double star
ST153	Nu	Nu ERI	04 36.3	-3.4	3.9	11°	Eri	star
ST154	53	53 ERI	04 38.2	-14.3	3.9	*	Eri	star
ST155	Σ572		04 38.5	+26 56	7.3	4"	Tau	double star equal magnitude
ST156	54	54 ERI	04 40.4	-19.7	4.3	*	Eri	red variable star
ST157	R	R CAE	04 40.5	-38.2	6.7	*	CaE	variable star
ST158	55	Σ590	04 43.6	-08 48	6.7	9"	Eri	double star equal magnitude
ST159	Iota	Iota PIC	04 50.9	-53.5	5.6	12"	Pic	double star
ST160	ST		04 51.2	+68 10	9.2	Stellar	Cam	red variable star
ST161	Pi4	Pi4 ORI	04 51.2	+05.6	3.7	*	Ori	star
ST162	TT	TT TAU	04 51.6	+28.5	8	*	Tau	variable star
ST163	Pi5	Pi5 ORI	04 54.2	+02.4	3.7	*	Ori	star
ST164	Omicron2	Omicron2 ORI	04 56.4	+13.5	4.1	*	Ori	star
ST165	Iota	Iota AUR	04 57.0	+33.2	2.7	*	Aur	star
ST166	Pi6	Pi6 ORI	04 58.5	+01.7	4.5	*	Ori	star
ST167	Omega	Omega AUR	04 59.3	+37.9	5	5.4"	Aur	double star

ST168	Hinds Crimson Star	R LEP	04 59.6	-14.8	5.9	*	Lep	variable star
ST169	Σ 627		05 00.6	+03 36	6.6	21"	Ori	double star equal magnitude
ST170	Σ 631	Struve 631	05 00.7	-13.5	7.5	5.5"	Lep	double star
ST171	Σ 630	Struve 630	05 02.0	+01.6	6.5	15"	Ori	double star
ST172	Epsilon		05 02.0	+43 49	2.9	Stellar	Aur	variable star
ST173	Zeta	Zeta AUR	05 02.5	+41.1	3.8	*	Aur	star
ST174	W	W ORI	05 05.4	+01.2	8.6	*	Ori	variable star
ST175	Epsilon	Epsilon LEP	05 05.5	-22.4	3.2	*	Lep	star
ST176	Eta	Eta AUR	05 06.5	+41.2	3.2	*	Aur	star
ST177	14	O Σ 98	05 07.9	+08 29	5.9	0.7"	Ori	double star challenge
ST178	TX	TX AUR	05 09.1	+39.0	8.5	*	Aur	variable star
ST179	SY	SY ERI	05 09.8	-5.6	9	*	Eri	variable star
ST180	Σ 644		05 10.4	+37 17	6.8	2"	Aur	double star challenge
ST181	Iota	Iota LEP	05 12.3	-11.9	4.5	13"	Lep	double star
ST182	Rho		05 13.3	+02 52	4.5	7"	Ori	colored double star
ST183	Rigel	Beta ORI	05 14.5	-8.2	0	9.4"	Ori	double star magnitude contrast
ST184	Σ 653	Struve 653	05 15.4	+32.7	5.1	11"	Aur	triple star
ST185	Capella	Alpha Aur	05 16.7	+46 00	0.1	*	Aur	star
ST186	S 476		05 19.3	-18 30	6.2	39"	Lep	double star equal magnitude
ST187	h3750		05 20.5	-21 14	4.7	4"	Lep	double star magnitude contrast
ST188	UV	UV AUR	05 21.8	+32.5	7.4	*	Aur	variable star
ST189	ADS3954	ADS 3954	05 21.8	-24.8	5.5	3.2"	Lep	double star
ST190	Σ 696	Struve 696	05 22.8	+03.6	5	32"	Ori	double star
ST191	Σ 701	Struve 701	05 23.3	-8.4	6	6"	Ori	double star
ST192	Eta		05 24.5	-02 24	3.4	1.5"	Ori	double star challenge
ST193	Sigma	Sigma AUR	05 24.7	+37.4	5	9"	Aur	double star
ST194	Theta	Theta PIC	05 24.8	-52.3	6.8	38"	Pic	double star
ST195	Bellatrix	Gamma ORI	05 25.1	+06.3	1.6	*	Ori	star
ST196	Σ 698	Struve 698	05 25.2	+34.9	6.6	31"	Aur	double star
ST197	118	Σ 716	05 29.3	+25 09	5.8	5"	Tau	double star
ST198	31	31 ORI	05 29.7	-1.1	4.7	*	Ori	star
ST199	TL9	TL 9	05 30.0	+17.0	5	5°	Tau	asterism
ST200	Delta	Delta ORI	05 32.0	-0.3	2.2	53"	Ori	double star
ST201	119	119 TAU	05 32.2	+18.6	4.7	*	Tau	star
ST202	Σ 718		05 32.4	+49 24	7.5	8"	Aur	double star equal magnitude
ST203	RT	RT ORI	05 33.2	+07.2	8	*	Ori	variable star
ST204	Σ 747	Struve 747	05 35.0	-6	4.8	36"	Ori	double star
ST205	Lambda		05 35.1	+09 56	3.4	4"	Ori	double star magnitude contrast
ST206	Trapezium	Trapezium	05 35.3	-05 23	5.1	13"	Ori	quadruple star
ST207	Iota	Σ 752	05 35.4	-05 55	2.9	11"	Ori	double star magnitude contrast
ST208	Epsilon	Epsilon ORI	05 36.2	-1.2	1.7	*	Ori	star
ST209	Phi2	Phi2 ORI	05 36.9	+09.3	4	*	Ori	star
ST210	Zeta	Zeta TAU	05 37.6	+21.1	3	*	Tau	star
ST211	Sigma		05 38.7	-02 36	3.7	11"	Ori	quadruple star
ST212	Alpha	Alpha COL	05 39.6	-34.1	2.6	*	Col	star
ST213	Alnitak	Zeta ORI	05 40.8	-1.9	2	2.4"	Ori	double star magnitude contrast
ST214	U2	U(2) CAM (?)	05 42.2	+62.5	7.7	*	Cam	variable star
ST215	Gamma	Gamma LEP	05 44.5	-22.5	3.7	97"	Lep	double star
ST216	Y	Y TAU	05 45.7	+20.7	7.1	*	Tau	variable star
ST217	Mu	Mu COL	05 46.0	-32.3	5.2	*	Col	star
ST218	Kappa	Kappa ORI	05 47.8	-9.7	2	*	Ori	star
ST219	52	Σ 795	05 48.0	+06 27	6.1	1.3"	Ori	double star challenge
ST220	Beta	Beta COL	05 51.0	-35.8	3.1	*	Col	star
ST221	Delta	Delta LEP	05 51.3	-20.9	3.8	*	Lep	star
ST222	Nu	Nu AUR	05 51.5	+39.1	4	30'	Aur	star
ST223	Σ 817		05 54.9	+07 02	8.8	19"	Ori	double star equal magnitude
ST224	Betelgeuse	Alpha Ori	05 55.2	+07 24	0.5	Stellar	Ori	star
ST225	U	U ORI	05 55.8	+20.2	5.3	*	Ori	variable star
ST226	Theta		05 59.7	+37 13	2.6	3.5"	Aur	double star magnitude contrast
ST227	Pi	Pi AUR	05 59.9	+45.9	4.3	1°	Aur	red variable star
ST228	Δ 23		06 04.8	-48 27	7	2.7"	Pup	double star equal magnitude
ST229	Σ 855		06 09.0	+02 30	6	30"	Ori	double star
ST230	TU	TU GEM	06 10.9	+26.0	7.5	*	Gem	variable star
ST231	41	Σ 845	06 11.7	+48 42	6.1	8"	Aur	double star
ST232	SS	SS AUR	06 13.4	+47.0	10	*	Aur	variable star
ST233	Gamma	Gamma MON	06 14.9	-6.3	4	8°	Mon	star
ST234	Eta	Eta GEM	06 14.9	+22.5	3.3	*	Gem	star
ST235	Σ 872	Struve 872	06 15.6	+36.2	6.9	11"	Aur	double star
ST236	KS	KS MON	06 19.7	-5.3	9.5	*	Mon	variable star
ST237	Zeta	Zeta CMA	06 20.3	-30.1	3	8.5°	Cma	star
ST238	V	V MON	06 22.7	-2.2	6	*	Mon	variable star
ST239	Mirzam	Beta CMA	06 22.7	-18	2	*	Cma	star
ST240	Mu	Mu GEM	06 23.0	+22.5	2.9	*	Gem	star
ST241	8		06 23.8	+04 36	4.3	13"	Mon	colored double star
ST242	Canopus	Alpha Car	06 24.0	-52 42	-0.7	*	Car	star

ST243	BL	BL ORI	06 25.5	+14.7	8.5	*	Ori	variable star
ST244	15		06 27.8	+20 47	6.6	27"	Gem	double star
ST245	Beta		06 28.8	-07 02	3.8	3"	Mon	triple star
ST246	ADS5150	ADS 5150	06 31.8	+38.9	11.5	4.5"	Aur	double star
ST247	20	20 GEM	06 32.3	+17.8	6.3	20"	Gem	colored double star
ST248	ADS5188	ADS 5188	06 34.3	+38.1	6.7	43"	Aur	double star
ST249	CR	CR GEM	06 34.4	+16.1	8.5	*	Gem	variable star
ST250	Σ 928	ADS 5191	06 34.7	+38.4	7.6	3.5"	Aur	double star
ST251	ADS5201	ADS 5201	06 35.1	+37.1	7.4	2.6"	Aur	double star
ST252	Σ 929	ADS 5208	06 35.4	+37.7	7.4	6"	Aur	double star
ST253	Σ 939	Struve 939	06 35.9	+05.3	8.3	30"	Mon	double star
ST254	ADS5221	ADS 5221	06 36.2	+38.0	8.5	1.3"	Aur	double star challenge
ST255	Nu1	Nu1 CMA	06 36.4	-18.7	6	17.5"	Cma	colored double star
ST256	UU	UU AUR	06 36.5	+38.5	5.1	*	Aur	variable star
ST257	ADS5240	ADS 5240	06 36.9	+38.2	9.7	2.2"	Aur	double star
ST258	ADS5245	ADS 5245	06 37.3	+38.4	8.8	10"	Aur	double star
ST259	South529	South 529	06 37.6	+12.2	7.6	70"	Gem	double star
ST260	Innes5	Innes 5	06 38.0	-61.5	6.4	2.4"	Pic	double star
ST261	ADS5265	ADS 5265	06 38.4	+38.8	9.6	4.6"	Aur	double star
ST262	Innes1156	Innes 1156	06 39.1	-29.1	8	0.7"	Cma	double star challenge
ST263	SAO172106	SAO 172106	06 39.5	-30	7.8	2.5°	Cma	red variable star
ST264	Σ 953		06 41.2	+08 59	7.1	7"	Mon	double star
ST265	VV	VV GEM	06 42.2	+31.5	8.7	*	Gem	variable star
ST266	Sirius	Alpha CMA	06 45.1	-16.7	-1	9"	Cma	double star magnitude contrast
ST267	12	Σ 948	06 46.2	+59 27	4.9	2"	Lyn	triple star challenge
ST268	Σ 958		06 48.2	+55 42	5.5	5"	Lyn	double star equal magnitude
ST269	Kappa	Kappa CMA	06 49.8	-32.5	4	*	Cma	star
ST270	14	14 LYN	06 53.1	+59.5	5.7	0.4"	Lyn	double star challenge
ST271	GY	GY MON	06 53.2	-4.6	9.4	*	Mon	variable star
ST272	Σ 987		06 54.1	-05 51	7.1	1.3"	Mon	double star challenge
ST273	Omicron1	Omicron1 CMA		06 54.1	-24.2	3.9	*	Cma star
ST274	Theta	Theta CMA	06 54.2	-12	4.1	*	Cma	star
ST275	38		06 54.6	+13 11	4.7	7"	Gem	colored double star
ST276	Mu	Σ 997	06 56.1	-14 02	5.3	2.8"	Cma	double star magnitude contrast
ST277	BG	BG MON	06 56.4	+07.1	9.2	*	Mon	variable star
ST278	O Σ 80	O. Struve (P) 80		06 58.1	+14.2	7.3	2'	Gem asterism
ST279	RV	RV MON	06 58.4	+06.2	7	*	Mon	variable star
ST280	Epsilon	Epsilon CMA	06 58.6	-29	1.5	7.5"	Cma	double star
ST281	Sigma	Sigma CMA	07 01.7	-27.9	3.5	*	Cma	star
ST282	Omicron2	Omicron2 CMA		07 03.0	-23.8	3	*	Cma star
ST283	Dunlop38	Dunlop 38	07 04.0	-43.6	5.6	20.5"	Pup	double star
ST284	Zeta	Zeta GEM	07 04.1	+20.6	3.7	*	Gem	variable star
ST285	Σ 1009		07 05.7	+52 45	6.9	4.1"	Lyn	double star equal magnitude
ST286	R	R GEM	07 07.4	+22.7	6	*	Gem	variable star
ST287	W		07 08.1	-11 55	6.4	Stellar	CMA	red variable star
ST288	Gamma	Gamma VOL	07 08.8	-70.5	4	13.6"	Vol	double star
ST289	Tau	Tau GEM	07 11.1	+30.2	4.4	1.9"	Gem	double star
ST290	Σ 1035		07 12.0	+22 17	8.2	4"	Gem	double star equal magnitude
ST291	Σ 1037	Struve 1037	07 12.8	+27.2	7.2	1.3"	Gem	double star challenge
ST292	Omega	Omega CMA	07 14.8	-26.8	3.9	*	Cma	star
ST293	h3945		07 16.6	-23 19	4.5	27"	CMA	colored double star
ST294	Tau	h 3948	07 18.7	-24 57	4.4	15"	CMA	triple star
ST295	Delta	55 Gem	07 20.1	+21 59	3.5	6"	Gem	double star magnitude contrast
ST296	19	Σ 1062	07 22.9	+55 17	5.6	15"	Lyn	triple star
ST297	Gamma	Gamma CMI	07 28.2	+08.9	4.3	*	Cmi	star
ST298	Sigma	Sigma PUP	07 29.2	-43.3	3.3	22"	Pup	double star
ST299	Σ 1093	Struve 1093	07 30.3	+50.0	8.8	0.8"	Lyn	double star challenge
ST300	n	HN19, h269	07 34.3	-23 28	5.1	10"	Pup	double star equal magnitude
ST301	Castor	Alpha GEM	07 34.6	+31.9	2	1.8"	Gem	double star challenge
ST302	Upsilon	Upsilon GEM	07 35.9	+26.9	4.1	2.5°	Gem	red variable star
ST303	Σ 1121		07 36.6	-14 29	7.9	7"	Pup	double star equal magnitude
ST304	K		07 38.8	-26 48	3.8	10"	Pup	double star equal magnitude
ST305	Procyon	Alpha CMi	07 39.3	+05 14	0.4	Stellar	CMi	star
ST306	Kappa	O Σ 179	07 44.4	+24 23	3.7	7"	Gem	double star magnitude contrast
ST307	2	Σ 1138	07 45.5	-14 41	6.1	17"	Pup	double star equal magnitude
ST308	Σ 1127		07 47.0	+64 03	7	5"	Cam	triple star
ST309	Σ 1149		07 49.4	+03 13	7.9	22"	Cmi	double star
ST310	U		07 55.1	+22 00	8.2	Stellar	Gem	variable star
ST311	Chi	Chi CAR	07 56.8	-53	3.5	4°	Car	star
ST312	Dunlop59	Dunlop 59	07 59.2	-50	6.5	16"	Pup	double star
ST313	S-h86	S-h 86	08 02.5	+63.1	6	49"	Cam	double star
ST314	Zeta	Zeta PUP	08 03.6	-40	2.3	4°	Pup	star
ST315	RT	RT PUP	08 05.4	-38.8	8.5	*	Pup	variable star
ST316	RU	RU PUP	08 07.5	-22.9	8.9	*	Pup	variable star

ST317	Epsilon	Epsilon VOL	08 07.9	-68.6	4.4	6"	Vol	double star
ST318	Gamma	Gamma VEL	08 09.5	-47.3	1.9	41"	Vel	double star
ST319	Zeta		08 12.2	+17 39	4.7	0.6"	Cnc	triple star challenge
ST320	c	c CAR	08 15.3	-62.9	5.3	4"	Car	double star
ST321	Beta	Beta CNC	08 16.5	+09.2	3.5	*	Cnc	star
ST322	R	R CNC	08 16.6	+11.7	6.1	*	Cnc	variable star
ST323	Kappa	Kappa VOL	08 19.8	-71.5	5.4	65"	Vol	double star
ST324	AC	AC PUP	08 22.7	-15.9	8.9	*	Pup	variable star
ST325	31	31 LYN	08 22.8	+43.2	4.3	15°	Lyn	star
ST326	Beta	Beta VOL	08 25.7	-66.1	3.8	6°	Vol	star
ST327	h4903	h4903	08 26.3	-39.1	6.5	8"	Pup	double star
ST328	24	Σ1224	08 26.7	+24 32	7.1	6"	Cnc	double star
ST329	Phi	Σ1223	08 26.7	+26 56	6.3	5"	Cnc	double star equal magnitude
ST330	h4104	h4104	08 29.1	-47.9	5.5	3.6"	Vel	double star
ST331	Δ70		08 29.5	-44 44	5	5"	Vel	double star
ST332	h4107		08 31.4	-39 04	6.4	4"	Vel	triple star
ST333	Σ1245		08 35.8	+06 37	6	10"	Cnc	double star
ST334	Sigma	Sigma HYA	08 38.8	+03.3	4.4	*	Hya	star
ST335	h4128	h4128	08 39.2	-60.3	6.9	1.4"	Car	double star challenge
ST336	Σ1254		08 40.4	+19 40	6.4	21"	Cnc	quadruple star
ST337	Alpha	Alpha PYX	08 43.6	-33.2	3.7	*	Pyx	star
ST338	Delta	Delta VEL	08 44.7	-54.7	2.1	2.6"	Vel	double star
ST339	Σ1270	ADS 6977	08 45.3	-2.6	6.4	5"	Hya	double star
ST340	Iota	Σ1268	08 46.7	+28 46	4	30"	Cnc	colored double star
ST341	Epsilon		08 46.8	+06 25	3.4	3"	Hyd	double star magnitude contrast
ST342	Σ1282		08 50.8	+35 03	7.5	4"	Lyn	double star equal magnitude
ST343	X	X CNC	08 55.4	+17.2	5.6	*	Cnc	variable star
ST344	66	Σ1298	09 01.4	+32 15	5.9	5"	Cnc	double star
ST345	Rho	Rho UMA	09 02.5	+67.6	4.8	1°	Uma	star
ST346	Σ1311		09 07.5	+22 59	6.9	8"	Cnc	double star equal magnitude
ST347	Suhail	Lambda Vel	09 08.0	-43 26	2.2	Stellar	Vel	star
ST348	Sigma2		09 10.4	+67 08	4.8	4"	Uma	double star magnitude contrast
ST349	a	a CAR	09 11.0	-59	3.4	50'	Car	star
ST350	h4188	h4188	09 12.5	-43.6	6.7	2.7"	Vel	double star
ST351	h4191		09 14.4	-43 13	5.2	6"	Vel	double star magnitude contrast
ST352	Σ1321		09 14.9	+52 42	8.1	18"	Uma	double star equal magnitude
ST353	g	g CAR	09 16.2	-57.5	4.3	5'	Car	star
ST354	RT	RT UMA	09 18.4	+51.4	8.6	*	Uma	variable star
ST355	38	Σ1334	09 18.8	+36 48	3.9	3"	Lyn	double star challenge
ST356	Σ1338		09 21.0	+38 11	6.6	1"	Lyn	double star challenge
ST357	Alpha	Alpha LYN	09 21.1	+34.4	3.1	*	Lyn	star
ST358	Kappa	Kappa VEL	09 22.1	-55	2.5	*	Vel	star
ST359	Σ1347		09 23.3	+03 30	7.2	21"	Hya	double star
ST360	Kappa	Kappa LEO	09 24.7	+26.2	4.5	2.1"	Leo	triple star
ST361	Σ1355		09 27.3	+06 14	7.5	2.3"	Hya	double star equal magnitude
ST362	Alphard	Alpha Hya	09 27.6	-08 40	2	Stellar	Hya	star
ST363	Omega	Omega LEO	09 28.5	+09.1	5.9	0.5"	Leo	double star challenge
ST364	Dunlop76	Dunlop 76	09 28.6	-45.5	7.8	61"	Vel	double star
ST365	Σ1360		09 30.6	+10 35	8.3	14"	Leo	double star equal magnitude
ST366	Zeta		09 30.8	-31 53	5.8	8"	Ant	double star
ST367	N	N VEL	09 31.2	-57	3.1	*	Vel	star
ST368	23	Σ1351	09 31.5	+63 03	3.8	23"	Uma	double star magnitude contrast
ST369	Lambda	Lambda LEO	09 31.7	+23.0	4.3	*	Leo	star
ST370	R	R CAR	09 32.2	-62.8	3.8	*	Car	variable star
ST371	Σ1369	Struve 1369	09 35.4	+40.0	6.5	25"	Lyn	double star
ST372	Iota	Iota HYA	09 39.9	-1.1	3.9	*	Hya	star
ST373	Upsilon	Upsilon CAR	09 47.1	-65.1	3.1	5"	Car	double star
ST374	R		09 47.6	+11 26	4.4	Stellar	Leo	red variable star
ST375	W	W SEX	09 51.0	-2	9	*	Sex	variable star
ST376	Y	Y HYA	09 51.1	-23	8.3	*	Hya	variable star
ST377	Mu	Mu LEO	09 52.8	+26.0	3.9	*	Leo	star
ST378	h4262	ADS 7571	09 54.5	-12.9	8.7	8"	Hya	double star
ST379	Regulus	Alpha Leo	10 08.4	+11 58	1.4	Stellar	Leo	star
ST380	S	S CAR	10 09.4	-61.6	4.5	*	Car	variable star
ST381	ADS7704	ADS 7704	10 16.3	+17.7	7.2	1.4"	Leo	double star challenge
ST382	Zeta	Zeta LEO	10 16.7	+23.4	3.4	5.5'	Leo	double star
ST383	q	q CAR	10 17.1	-61.3	3.4	*	Car	star
ST384	h4306	h4306	10 19.1	-64.7	5.6	2.1"	Car	double star
ST385	Algieba	Gamma LEO	10 20.0	+19.8	2.5	4.4"	Leo	double star
ST386	Mu	Mu UMA	10 22.3	+41.5	3	*	Uma	star
ST387	Mu	Mu HYA	10 26.1	-16.8	3.8	*	Hya	star
ST388	Alpha	Alpha ANT	10 27.2	-31.1	4.3	*	Ant	star
ST389	45	45 LEO	10 27.6	+09.8	6	3.8"	Leo	double star
ST390	Delta	HN 50	10 29.6	-30 36	5.7	11"	Ant	double star magnitude contrast
ST391	p	p CAR	10 32.0	-61.7	3.3	*	Car	star

ST392	Rho	Rho LEO	10 32.8	+09.3	3.9	*	Leo	star
ST393	49		10 35.0	+08 39	5.7	2"	Leo	double star challenge
ST394	U	U ANT	10 35.2	-39.6	8.1	*	Ant	variable star
ST395	Gamma	Gamma CHA	10 35.5	-78.6	4.1	*	Cha	star
ST396	U	U HYA	10 37.6	-13.4	7	*	Hya	variable star
ST397	Dunlop95	Dunlop 95	10 39.3	-55.6	4.3	52"	Vel	double star
ST398	35	Σ1466	10 43.4	+04 44	6.3	7"	Sex	double star
ST399	R	R UMA	10 44.6	+68.8	7.5	*	Uma	variable star
ST400	VY	VY UMA	10 45.1	+67.4	5.9	*	Uma	variable star
ST401	Delta	Delta CHA	10 45.8	-80.5	4.5	4.5'	Cha	double star
ST402	40	Σ1476	10 49.3	-04 01	6.9	2.5"	Sex	double star
ST403	Nu	Nu HYA	10 49.6	-16.2	3.1	*	Hya	star
ST404	54	54 LEO	10 55.6	+24.8	4.5	6.8"	Leo	double star
ST405	SAO251342	SAO 251342	11 17.5	-63.5	7	7"	Car	double star magnitude contrast
ST406	Xi	Xi UMA	11 18.2	+31.5	4.5	1.3"	Uma	double star challenge
ST407	Nu	Nu UMA	11 18.5	+33.1	3.5	7"	Uma	double star
ST408	Σ1529		11 19.4	-01 38	7	10"	Leo	double star
ST409	h4432	h4432	11 23.4	-65	5.1	2.3"	Mus	double star
ST410	Iota	Iota LEO	11 23.9	+10.5	4	1.3"	Leo	double star challenge
ST411	83	Σ1540	11 26.8	+03 00	6.2	29"	Leo	triple star
ST412	Tau	Tau LEO	11 27.9	+02.9	5.5	1.5'	Leo	double star
ST413	Lambda	Lambda DRA	11 31.4	+69.3	3.8	20'	Dra	red variable star
ST414	88	Σ1547	11 31.8	+14 21	6.4	16"	Leo	double star
ST415	N		11 32.3	-29 16	5.8	9"	Hyd	double star equal magnitude
ST416	Innes78	Innes 78	11 33.6	-40.6	6	1"	Cen	double star challenge
ST417	Σ1552	Σ1552	11 34.7	+16 48	6	3"	Leo	triple star
ST418	Nu	Nu VIR	11 45.9	+06.5	4	*	Vir	star
ST419	Denebola	Beta Leo	11 49.1	+14 34	2.1	Stellar	Leo	star
ST420	Beta	Beta HYA	11 52.9	-33.9	4.7	0.9"	Hya	colored double star
ST421	OΣ112	O.Struve 112	11 54.6	+19.4	8.4	73"	Leo	double star
ST422	65	Σ1579	11 55.1	+46 29	6.7	4"	Uma	double star
ST423	Epsilon	Epsilon CHA	11 59.6	-78.2	5.4	0.9"	Cha	colored double star
ST424	Σ1593		12 03.5	-02 26	8.7	1.3"	Vir	double star challenge
ST425	Zeta	Zeta COM	12 04.3	+21.5	6	3.6"	Com	double star
ST426	Delta	Delta CEN	12 08.4	-50.7	2.6	4.5'	Cen	double star
ST427	Σ1604		12 09.5	-11 51	6.6	10"	Crv	triple star
ST428	Epsilon	Epsilon CRV	12 10.1	-22.6	3	*	Crv	star
ST429	Rumker14	Rumker 14	12 14.0	-45.7	5.6	2.9"	Cen	double star
ST430	Delta	Delta CRU	12 15.1	-58.7	2.8	*	Cru	star
ST431	2	2 CVN	12 16.1	+40.7	6	11.5"	Cvn	colored double star
ST432	Epsilon	Epsilon MUS	12 17.6	-68	4.1	*	Mus	red variable star
ST433	Σ1627		12 18.1	-03 56	6.6	20"	Vir	double star equal magnitude
ST434	R	R CRV	12 19.6	-19.3	6.7	*	Crv	variable star
ST435	Σ1633		12 20.6	+27 03	6.3	9"	Com	double star equal magnitude
ST436	Epsilon	Epsilon CRU	12 21.4	-60.4	3.6	*	Cru	star
ST437	M40	Winnecke 4	12 22.4	+58 05	9	50"	UMa	double star
ST438	17	17 VIR	12 22.5	+05.3	6.5	21"	Vir	double star
ST439	Σ1639	Struve 1639	12 24.4	+25.6	6.8	1.6"	Com	double star challenge
ST440	S	S CEN	12 24.6	-49.4	9.2	*	Cen	variable star
ST441	SS		12 25.3	+00 48	6	Stellar	Vir	red variable star
ST442	AcruX	Alpha CRU	12 26.6	-63.1	1	4.4"	Cru	double star
ST443	3C273	3C 273	12 29.1	+02.0	12.8	*	Vir	asterism
ST444	Algorab	Delta CRV	12 29.9	-16.5	3	24"	Crv	double star
ST445	Gamma	Gamma CRU	12 31.2	-57.1	1.6	110"	Cru	double star
ST446	Σ1649	Struve 1649	12 31.6	-11.1	8	15"	Vir	double star
ST447	24		12 35.1	+18 23	5	20"	CVn	colored double star
ST448	Alpha	Alpha MUS	12 37.2	-69.1	2.7	*	Mus	star
ST449	ADS8612	ADS 8612	12 37.7	-27.1	5.5	1.3"	Hya	double star challenge
ST450	Σ1669		12 41.3	-13 01	5.3	5"	Crv	double star equal magnitude
ST451	Gamma	Gamma CEN	12 41.5	-49	2.2	1"	Cen	double star challenge
ST452	Porrina	Gamma VIR	12 41.7	-1.4	3.5	3"	Vir	double star
ST453	Y		12 45.1	+45 26	7.4	Stellar	CVn	red variable star
ST454	Iota	Iota CRU	12 45.6	-61	4.7	27"	Cru	double star
ST455	Beta	Beta MUS	12 46.3	-68.1	3.7	1.4"	Mus	double star challenge
ST456	Mimosa	Beta CRU	12 47.7	-59.7	1.3	*	Cru	star
ST457	32	Σ1694	12 49.2	+83 25	5.3	22"	Cam	double star equal magnitude
ST458	35	Σ1687	12 53.3	+21 14	5.1	29"	Com	double star magnitude contrast
ST459	Mu	Mu CRU	12 54.6	-57.2	4.3	35"	Cru	double star
ST460	Delta	Delta VIR	12 55.6	+03.4	3.4	*	Vir	red variable star
ST461	Cor Caroli	Alpha CVN	12 56.0	+38.3	3	19"	Cvn	double star
ST462	RY	RY DRA	12 56.4	+66.0	6.8	*	Dra	variable star
ST463	Σ1699		12 58.7	+27 28	8.8	1.5"	Com	double star challenge
ST464	Delta	Delta MUS	13 02.3	-71.5	3.6	8'	Mus	star
ST465	Theta	Theta MUS	13 08.1	-65.3	5.7	5.3"	Mus	double star

ST466	Theta	51 Vir, Σ 1724	13 09.9	-05 32	4.4	7"	Vir	triple star challenge
ST467	Alpha		13 10.0	+17 32	5	0.5"	Com	double star challenge
ST468	54		13 13.4	-18 50	6.8	5"	Vir	double star
ST469	J	J CEN	13 22.6	-61	4.7	1'	Cen	double star
ST470	Zeta	Mizar	13 23.9	+54 56	2.3	14"	Uma	double star
ST471	Spica	Alpha VIR	13 25.2	-11.2	1	*	Vir	star
ST472	$\text{O}\Sigma\Sigma$ 123		13 27.1	+64 43	6.7	69"	Dra	colored double star
ST473	R		13 29.7	-23 17	4	Stellar	Hyd	variable star
ST474	Σ 1755	Struve 1755	13 32.3	+36.8	7	4.4"	Cvn	double star
ST475	S	S VIR	13 33.0	-7.2	6	*	Vir	variable star
ST476	25	25 CVN	13 37.5	+36.3	5	1.8"	Cvn	double star magnitude contrast
ST477	Σ 1763	Struve 1763	13 37.6	-7.9	7.9	2.8"	Vir	double star
ST478	Epsilon	Epsilon CEN	13 39.9	-53.5	2.3	*	Cen	star
ST479	1	Σ 1772	13 40.7	+19 57	5.7	5"	Boo	double star magnitude contrast
ST480	Dunlop141	Dunlop 141	13 41.7	-54.6	5.3	5.3"	Cen	double star
ST481	T	T CEN	13 41.8	-33.6	5.5	*	Cen	variable star
ST482	Alkaid	Eta UMA	13 47.5	+49.3	1.9	*	Uma	star
ST483	Σ 1785	Struve 1785	13 49.1	+27.0	7.6	3.4"	Boo	double star
ST484	2	2 CEN	13 49.4	-34.5	4.2	*	Cen	star
ST485	Upsilon	Upsilon BOO	13 49.5	+15.8	4.1	*	Boo	star
ST486	3	3 CEN	13 51.8	-33	4.5	8"	Cen	double star
ST487	Zeta	Zeta CEN	13 55.5	-47.3	2.6	5°	Cen	star
ST488	Beta	Beta CEN	14 03.8	-60.4	0.6	*	Cen	star
ST489	Pi	Pi HYA	14 06.4	-26.7	3.3	*	Hya	star
ST490	Kappa	Kappa VIR	14 12.9	-10.3	4.2	*	Vir	star
ST491	Kappa		14 13.5	+51 47	4.4	13"	Boo	colored double star
ST492	Σ 1819		14 15.3	+03 08	7.8	0.8"	Vir	double star challenge
ST493	Arcturus	Alpha Boo	14 15.7	+19 11	0	Stellar	Boo	star
ST494	Iota	Iota BOO	14 16.2	+51.4	4.9	39"	Boo	double star
ST495	R	R CEN	14 16.6	-59.9	5.3	*	Cen	variable star
ST496	Σ 1834	Struve 1834	14 20.3	+48.5	8.1	1.3"	Boo	double star challenge
ST497	Σ 1833		14 22.6	-07 46	7.6	6"	Vir	double star equal magnitude
ST498	Dunlop159	Dunlop 159	14 22.6	-58.5	5	9"	Cen	colored double star
ST499	Σ 1835		14 23.4	+08 26	5.1	6"	Boo	double star
ST500	SHJ 179		14 25.5	-19 58	6.4	35"	Lib	double star
ST501	5	5 UMI	14 27.5	+75.7	4.3	*	Umi	star
ST502	Proxima	Proxima CEN	14 29.9	-62.7	10.7	*	Cen	variable star
ST503	Rho	Rho BOO	14 31.8	+30.4	3.6	*	Boo	star
ST504	h4690		14 37.3	-46 08	5.4	19"	Lup	double star magnitude contrast
ST505	Alpha	Rigil Kentaurus	14 39.6	-60 50	0	20"	Cen	double star
ST506	Pi	Pi BOO	14 40.7	+16.4	5	5.6"	Boo	double star
ST507	pi	Σ 1864	14 40.7	+16 25	4.9	6"	Boo	double star
ST508	Zeta		14 41.1	+13 44	3.8	1"	Boo	double star challenge
ST509	Alpha	Alpha LUP	14 41.9	-47.4	2.3	*	Lup	star
ST510	q	q CEN	14 42.0	-37.8	4	*	Cen	star
ST511	Alpha	Alpha CIR	14 42.5	-65	3.2	16"	Cir	double star
ST512	c1	c1 CEN	14 43.7	-35.2	4	17'	Cen	star
ST513	Epsilon	Izar	14 45.0	+27 04	2.4	3"	Boo	colored double star
ST514	Dunlop	Dunlop 169	14 45.2	-55.6	6.2	68"	Cir	double star
ST515	54	H 97	14 46.0	-25 26	5.2	8"	Hya	double star
ST516	Alpha	Alpha APS	14 47.9	-79	3.8	10°	Aps	star
ST517	Σ 1883		14 48.9	+05 57	7.6	0.7"	Vir	double star challenge
ST518	Mu		14 49.3	-14 09	5.4	2"	Lib	double star challenge
ST519	39		14 49.7	+48 43	5.7	3"	Boo	double star
ST520	58	58 HYA	14 50.3	-28	4.4	*	Hya	star
ST521	Kochab	Beta UMI	14 50.7	+74.2	2.1	*	Umi	star
ST522	Zubenelgenubi	Alpha LIB	14 50.9	-16	2.8	4'	Lib	double star
ST523	Xi	37 Boo	14 51.4	+19 06	4.6	7"	Boo	colored double star
ST524	h4715	h4715	14 56.5	-47.9	6	2.4"	Lup	double star
ST525	33	H 28	14 57.3	-21 22	5.9	23"	Lib	double star
ST526	Beta	Beta LUP	14 58.5	-43.1	2.6	*	Lup	star
ST527	Pi	Pi OCT	15 01.8	-83.2	5.7	18'	Oct	double star
ST528	44		15 03.8	+47 39	4.8	1.5"	Boo	double star challenge
ST529	Sigma	Sigma LIB	15 04.1	-25.3	3.2	*	Lib	red variable star
ST530	Dunlop178	Dunlop 178	15 11.6	-45.3	6.7	32"	Lup	double star
ST531	Kappa	Kappa LUP	15 11.9	-48.7	3.9	27"	Lup	double star
ST532	X	X TRA	15 14.3	-70.1	8.1	*	Tra	variable star
ST533	Σ 1932		15 18.3	+26 50	6.6	1.5"	CrB	double star challenge
ST534	Mu	Mu LUP	15 18.5	-47.9	5.1	1.2"	Lup	double star challenge
ST535	Σ 1931		15 18.7	+10 26	7	13"	Ser	double star
ST536	S	S CRB	15 21.4	+31.4	5.8	*	CrB	variable star
ST537	Phi1	Phi1 LUP	15 21.8	-36.3	3.6	50'	Lup	star
ST538	Eta		15 23.2	+30 17	5.6	1.0"	CrB	double star challenge
ST539	Mu		15 24.5	+37 23	4.3	2"	Boo	triple star
ST540	Edasich	Iota DRA	15 24.9	+59.0	3.3	*	Dra	star

ST541	Pi	Σ1972	15 29.2	+80 26	6.9	31"	Umi	double star
ST542	Lal123		15 33.1	-24 29	7.5	9"	Lib	double star equal magnitude
ST543	Delta	Delta SER	15 34.8	+10.5	4	3.9"	Ser	double star
ST544	Gamma	Gamma LUP	15 35.1	-41.2	2.8	*	Lup	star
ST545	h4788	h4788	15 35.9	-45	4.7	2.2"	Lup	double star
ST546	Upsilon	Upsilon LIB	15 37.0	-28.1	3.6	3"	Lib	colored double star
ST547	Omega	Omega LUP	15 38.1	-42.6	4.3	*	Lup	red variable star
ST548	Σ1962		15 38.7	-08 47	5.8	12"	Lib	double star equal magnitude
ST549	Tau	Tau LIB	15 38.7	-29.8	3.7	2°	Lib	star
ST550	Zeta	Zeta CRB	15 39.4	+36.6	5	6.3"	CrB	double star
ST551	Gamma	Gamma CRB	15 42.7	+26.3	4.2	0.3"	CrB	double star challenge
ST552	Alpha	Alpha SER	15 44.3	+06.4	2.7	*	Ser	star
ST553	R		15 48.6	+28 09	5.7	Stellar	CrB	variable star
ST554	Kappa	Kappa SER	15 48.7	+18.1	4.1	*	Ser	red variable star
ST555	R	R SER	15 50.7	+15.1	5.2	*	Ser	variable star
ST556	Xi		15 56.9	-33 58	5.2	10"	Lup	double star
ST557	Rho	Rho SCO	15 56.9	-29.2	3.9	*	SCO	star
ST558	Epsilon	Epsilon CRB	15 57.6	+26.9	4.2	*	CrB	star
ST559	Pi	Pi SCO	15 58.9	-26.1	2.9	*	SCO	star
ST560	T		15 59.5	+25 55	2	Stellar	CrB	variable star
ST561	Eta	Rmk 21	16 00.1	-38 24	3.6	15"	Lup	double star magnitude contrast
ST562	Delta	Delta SCO	16 00.3	-22.6	2.3	*	SCO	star
ST563	Xi		16 04.4	-11 22	4.2	1"	SCO	triple star challenge
ST564	Graffias	Beta SCO	16 05.4	-19.8	2.5	*	SCO	star
ST565	Omega1	Omega1 SCO	16 06.8	-20.7	4	14'	SCO	star
ST566	Kappa		16 08.1	+17 03	5	28"	Her	colored double star
ST567	Nu		16 12.0	-19 28	4	1"	SCO	quadruple star
ST568	Delta	Delta OPH	16 14.3	-3.7	2.7	*	Oph	star
ST569	Sigma	Σ2032, 17 CrB	16 14.7	+33 52	5.2	7"	CrB	double star
ST570	Delta	Delta APS	16 20.3	-78.7	4.7	*	Aps	double star
ST571	Sigma	H 121	16 21.2	-25 35	2.9	20"	SCO	double star magnitude contrast
ST572	Rho	Rho OPH	16 25.6	-23.5	5.3	3.1"	Oph	double star
ST573	V	V OPH	16 26.7	-12.4	7.3	*	Oph	variable star
ST574	Epsilon	Epsilon NOR	16 27.2	-47.6	4.8	23"	Nor	double star
ST575	Iota	Iota TRA	16 28.0	-64.1	5.3	20"	Tra	double star
ST576	Σ2052	Struve 2052	16 28.9	+18.4	7.7	1.7"	Her	double star
ST577	Antares	Alpha SCO	16 29.4	-26.4	1	3"	SCO	double star challenge
ST578	Lambda	Lambda OPH	16 30.9	+02.0	4.2	1.4"	Oph	double star challenge
ST579	R	R DRA	16 32.7	+66.8	6.7	*	Dra	variable star
ST580	16		16 36.2	+52 55	5.1	3"	Dra	triple star
ST581	H	H SCO	16 36.4	-35.3	4.2	*	SCO	star
ST582	Zeta	Zeta OPH	16 37.2	-10.6	2.6	*	Oph	star
ST583	SU	SU SCO	16 40.6	-32.4	8	*	SCO	variable star
ST584	Zeta	Zeta HER	16 41.3	+31.6	3	1.4"	Her	colored double star
ST585	Alpha	Alpha TRA	16 48.7	-69	1.9	*	Tra	star
ST586	Eta	Eta ARA	16 49.8	-59	3.8	*	Ara	star
ST587	Epsilon	Epsilon SCO	16 50.2	-34.3	2.3	*	SCO	star
ST588	Mu	Mu SCO	16 52.3	-38	3	*	SCO	star
ST589	20	20 DRA	16 56.4	+65.0	7.1	1.4"	Dra	double star challenge
ST590	RR	RR SCO	16 56.6	-30.6	5.1	*	SCO	variable star
ST591	Kappa	Kappa OPH	16 57.7	+09.4	3.2	75'	Oph	star
ST592	Zeta	Zeta ARA	16 58.6	-56	3.1	*	Ara	star
ST593	Epsilon1	Epsilon1 ARA	16 59.6	-53.2	4.1	40'	Ara	star
ST594	Mu		17 05.3	+54 28	4.9	2"	Dra	double star equal magnitude
ST595	Eta	Eta OPH	17 10.4	-15.7	2.4	0.6"	Oph	double star challenge
ST596	Rasalgethi	Alpha HER	17 14.6	+14.4	3	4.6"	Her	double star equal magnitude
ST597	Delta		17 15.0	+24 50	3.2	10"	Her	double star magnitude contrast
ST598	Pi	Pi HER	17 15.0	+36.8	3.2	7°	Her	star
ST599	36		17 15.3	-26 36	4.3	5"	Oph	double star equal magnitude
ST600	39		17 18.0	-24 17	5.2	10"	Oph	colored double star
ST601	Theta	Theta OPH	17 22.0	-25	3.3	*	Oph	star
ST602	Rho	Σ2161, 75 Her	17 23.7	+37 09	4.2	4"	Her	double star
ST603	Beta	Beta ARA	17 25.3	-55.5	2.9	*	Ara	star
ST604	Gamma	Gamma ARA	17 25.4	-56.4	3.3	*	Ara	star
ST605	Sigma	Sigma OPH	17 26.5	+04.1	4.3	4°	Oph	star
ST606	h4949	h4949	17 26.9	-45.9	6	2.2"	Ara	double star
ST607	Σ2173		17 30.4	-01 04	6	1.1"	Oph	double star challenge
ST608	Lambda	Lambda HER	17 30.7	+26.1	4.4	*	Her	star
ST609	Upsilon	Upsilon SCO	17 30.8	-37.3	2.7	*	SCO	star
ST610	Alpha	Alpha ARA	17 31.8	-49.9	3	*	Ara	star
ST611	Nu		17 32.2	+55 11	4.9	62"	Dra	double star equal magnitude
ST612	Shaula	Lambda SCO	17 33.6	-37.1	1.6	35'	SCO	star
ST613	Rasalhague	Alpha Oph	17 34.9	+12 34	2.1	*	Oph	star
ST614	Iota	Iota HER	17 39.5	+46.0	3.8	*	Her	star

ST615	Psi	Σ2241	17 41.9	+72 09	4.9	30"	Dra	double star
ST616	Kappa	Kappa SCO	17 42.5	-39	2.4	2.5°	SCO	star
ST617	V	V PAV	17 43.3	-57.7	5.7	*	Pav	variable star
ST618	Beta	Beta OPH	17 43.5	+04.6	2.8	*	Oph	star
ST619	61	Σ2202	17 44.6	+02 34	6.2	21"	Oph	double star equal magnitude
ST620	SZ	SZ SGR	17 45.0	-18.6	9	*	Sgr	variable star
ST621	SX	SX SCO	17 47.5	-35.7	8.5	*	SCO	variable star
ST622	G	G SCO	17 49.9	-37	3.2	2°	SCO	star
ST623	Y	Y OPH	17 52.6	-6.2	6	*	Oph	variable star
ST624	Xi	Xi DRA	17 53.5	+56.9	3.8	*	Dra	star
ST625	Gamma	Gamma DRA	17 56.6	+51.5	2.2	*	Dra	star
ST626	Barnards Star		17 57.8	+04 34	9.5	Stellar	Oph	star
ST627	h5003		17 59.1	-30 15	5	6"	Sgr	colored double star
ST628	Σ2038	Struve 2038	18 00.0	+80.0	5.7	20"	Dra	double star equal magnitude
ST629	95		18 01.5	+21 36	4.3	6"	Her	double star equal magnitude
ST630	Tau	Tau OPH	18 03.1	-8.2	5.2	1.8"	Oph	double star challenge
ST631	70	Σ2276	18 05.5	+02 30	4	1.5"	Oph	double star challenge
ST632	Theta	Theta ARA	18 06.6	-50.1	3.7	*	Ara	star
ST633	100	Σ2280	18 07.8	+26 06	5.9	14"	Her	double star equal magnitude
ST634	W	W LYR	18 14.9	+36.7	7.3	*	Lyr	variable star
ST635	Eta	Eta SGR	18 17.6	-36.8	3.1	*	Sgr	star
ST636	Kappa	Kappa LYR	18 19.9	+36.1	4.3	*	Lyr	star
ST637	Delta	Delta SGR	18 21.0	-29.8	2.7	*	Sgr	star
ST638	Σ2306		18 22.2	-15 05	7.9	10"	Sct	double star
ST639	Xi	Xi PAV	18 23.2	-61.5	4.4	*	Pav	star
ST640	39	Σ2323	18 24.0	+58 48	4.9	4"	Dra	triple star
ST641	21	21 SGR	18 25.3	-20.5	4.9	1.8"	Sgr	double star challenge
ST642	Alpha	Alpha TEL	18 27.0	-46	3.5	6'	Tel	star
ST643	59		18 27.2	+00 12	5.2	4"	Ser	colored double star
ST644	Lambda	Lambda SGR	18 28.0	-25.4	2.8	*	Sgr	star
ST645	SS	SS SGR	18 30.4	-16.9	9	*	Sgr	variable star
ST646	Delta	Delta TEL	18 31.8	-45.9	5	11'	Tel	double star
ST647	T	T LYR	18 32.3	+37.0	7.8	*	Lyr	red variable star
ST648	Kappa	Δ222	18 33.4	-38 44	5.9	21"	CrA	double star equal magnitude
ST649	Σ2348		18 33.9	+52 18	6	26"	Dra	double star
ST650	Alpha	Alpha SCT	18 35.2	-8.2	3.9	*	Sct	star
ST651	OΣ359		18 35.5	+23 36	6.3	0.7"	Her	double star challenge
ST652	OΣ358	ADS 11483	18 35.9	+17.0	6.8	1.6"	Her	double star challenge
ST653	Vega	Alpha Lyr	18 36.9	+38 47	0	Stellar	Lyr	star
ST654	X	X OPH	18 38.3	+08.8	5.9	*	Oph	variable star
ST655	HK	HK LYR	18 42.8	+37.0	9.5	*	Lyr	variable star
ST656	Σ2398	Struve 2398	18 43.0	+59.6	8	13"	Dra	double star
ST657	Epsilon	Double-Double,		18 44.3	+39 40	4.7	2"	Lyr quadruple star
ST658	Zeta		18 44.8	+37 36	4.4	44"	Lyr	double star
ST659	Σ2375		18 45.5	+05 30	6.2	2"	Ser	double star equal magnitude
ST660	5	Σ2379	18 46.5	-00 58	5.8	13"	Aql	triple star
ST661	R		18 47.5	-05 42	4.5	Stellar	Sct	variable star
ST662	Beta		18 50.0	+33 24	3.5	47"	Lyr	double star magnitude contrast
ST663	S	S SCT	18 50.3	-7.9	6.8	14.3"	Sct	double star
ST664	Σ2404		18 50.8	+10 59	6.9	4"	Aql	double star
ST665	Omicron	Σ2420	18 51.2	+59 22	4.9	35"	Dra	double star
ST666	Delta2	Delta2 LYR	18 54.5	+36.9	4.5	*	Cyg	star
ST667	OΣ525		18 54.9	+33 58	6	45"	Lyr	colored double star
ST668	Sigma	Sigma SGR	18 55.3	-26.3	2	*	Sgr	star
ST669	13	13 LYR	18 55.3	+43.9	3.9	4..	Lyr	star
ST670	Theta	Σ2417, 63 Ser	18 56.3	+04 11	4.1	22"	Ser	double star
ST671	ADS11871	ADS 11871	18 57.0	+32.9	5.4	1"	Lyr	double star challenge
ST672	Σ2422	Struve 2422	18 57.1	+26.1	8	0.7"	Lyr	double star challenge
ST673	UV	UV AQL	18 58.6	+14.4	8.6	*	Aql	variable star
ST674	Σ2426		19 00.0	+12 53	7.1	17"	Aql	colored double star
ST675	BrsO14		19 01.1	-37 03	6.6	13"	Cra	double star equal magnitude
ST676	h5082		19 03.1	-19 14	6	7"	Sgr	triple star
ST677	V		19 04.4	-05 41	6.6	Stellar	Aql	red variable star
ST678	15		19 05.0	-04 02	5.4	38"	Aql	colored double star
ST679	Gamma		19 06.4	-37 00	5	3"	Aql	double star equal magnitude
ST680	R		19 06.4	+08 14	5.5	Stellar	Aql	red variable star
ST681	Σ2449		19 06.4	+07 09	7.2	8"	Aql	double star
ST682	Σ2474		19 09.1	+34 35	6.5	16"	Lyr	double star
ST683	Σ2486		19 12.1	+49 51	6.6	8"	Cyg	double star equal magnitude
ST684	OΣ178	O.Struve 178	19 15.3	+15.1	5.7	90"	Aql	double star
ST685	Tau	Tau DRA	19 15.5	+73.4	4.5	*	Dra	star
ST686	RY	RY SGR	19 16.5	-33.5	6	*	Sgr	variable star
ST687	U		19 18.8	+19 37	6.6	Stellar	Sge	variable star
ST688	V1942	V1942 SGR	19 19.2	-15.9	6.4	*	Sgr	variable star
ST689	UX		19 21.6	+76 34	5.9	Stellar	Dra	red variable star

ST690	RR		19 25.5	+42 47	7.1	Stellar	Lyr	variable star
ST691	Σ2525	Struve 2525	19 26.6	+27.3	8.1	2"	Vul	double star
ST692	h5114	h5114	19 27.8	-54.3	5.7	70"	Tel	double star
ST693	Alpha	Alpha VUL	19 28.7	+24.7	4.4	*	Vul	star
ST694	Albireo	Beta CYG	19 30.7	+28.0	3	35"	Cyg	colored double star
ST695	Mu	Mu AQL	19 34.1	+07.4	4.5	*	Aql	star
ST696	AQ	AQ SGR	19 34.3	-16.4	9.1	*	Sgr	variable star
ST697	R	R CYG	19 36.8	+50.2	6.1	*	Cyg	variable star
ST698	HN84		19 39.4	+16 34	6.4	28"	Sge	colored double star
ST699	54	54 SGR	19 40.7	-16.3	5.4	38"	Sgr	double star
ST700	TT	TT CYG	19 40.9	+32.6	7.8	*	Cyg	variable star
ST701	16		19 41.8	+50 32	6	39"	Cyg	double star equal magnitude
ST702	Delta	Σ2579, 18 Cyg	19 45.0	+45 08	2.9	2"	Cyg	double star magnitude contrast
ST703	OΣΣ191	H V 137	19 45.9	+35 01	6	39"	Cyg	colored double star
ST704	Gamma	Gamma AQL	19 46.3	+10.6	2.7	*	Aql	star
ST705	17	Σ2580	19 46.4	+33 44	5	26"	Cyg	double star magnitude contrast
ST706	Delta	Delta SGE	19 47.4	+18.5	3.8	*	Sge	star
ST707	Epsilon		19 48.2	+70 16	3.8	3"	Dra	double star magnitude contrast
ST708	Pi	Pi AQL	19 48.7	+11.8	6.1	1.4"	Aql	double star challenge
ST709	Zeta		19 49.0	+19 09	5	9"	Sge	double star
ST710	Chi		19 50.6	+32 55	3.3	Stellar	Cyg	variable star
ST711	Altair	Alpha Aql	19 50.8	+08 52	0.8	*	Aql	star
ST712	Eta	Eta AQL	19 52.5	+01.0	3.4	*	Aql	variable star
ST713	57		19 54.6	-08 14	5.7	36"	Aql	double star
ST714	Beta	Beta AQL	19 55.3	+06.4	3.7	13"	Aql	double star
ST715	Psi		19 55.6	+52 26	4.9	3"	Cyg	double star magnitude contrast
ST716	RR	RR SGR	19 55.9	-29.2	5.4	*	Sgr	variable star
ST717	RU	RU SGR	19 58.7	-41.9	6	*	Sgr	variable star
ST718	Gamma	Gamma SGE	19 58.8	+19.5	3.5	*	Sge	star
ST719	BF	BF SGE	20 02.4	+21.1	8.5	*	Sge	variable star
ST720	h1470		20 03.6	+38 19	7.6	29"	Cyg	colored double star
ST721	X	X SGE	20 05.1	+20.7	7	*	Sge	variable star
ST722	WZ	WZ SGE	20 07.6	+17.7	7	*	Sge	variable star
ST723	Kappa	Σ2675	20 08.9	+77 43	4.4	7"	Cep	double star magnitude contrast
ST724	Theta	Σ2637	20 09.9	+20 55	6.4	12"	Sge	triple star
ST725	RY	RY CYG	20 10.4	+36.0	8.5	*	Cyg	variable star
ST726	FG	FG SGE	20 11.9	+20.3	9.5	*	Sge	planetary nebula irregular
ST727	Σ2644		20 12.6	+00 52	6.8	3"	Aql	double star equal magnitude
ST728	RS	RS CYG	20 13.4	+38.7	6.5	*	Cyg	variable star
ST729	Σ2658		20 13.6	+53 07	7.1	5"	Cyg	double star
ST730	Omicron1	Omicron1 CYG	20 13.6	+46.7	3.8	*	Cyg	star
ST731	RT	RT CAP	20 17.1	-21.3	8.9	*	Cap	variable star
ST732	Alpha	Alpha CAP	20 17.6	-12.5	4.2	44"	Cap	star
ST733	RT	RT SGR	20 17.7	-39.1	6	*	Sgr	variable star
ST734	P		20 17.8	+38 02	3	Stellar	Cyg	variable star
ST735	Alpha		20 18.0	-12 32	3.8	7"	Cap	quadruple star
ST736	Σ2671		20 18.4	+55 23	6	4"	Cyg	double star
ST737	U	U CYG	20 19.6	+47.9	5.9	*	Cyg	variable star
ST738	Beta	Beta CAP	20 21.0	-14.8	3.4	3'	Cap	double star
ST739	39	39 CYG	20 23.9	+32.2	4.4	*	Cyg	star
ST740	Peacock	Alpha PAV	20 25.6	-56.7	1.9	*	Pav	star
ST741	pi		20 27.3	-18 13	5.3	3"	Cap	double star magnitude contrast
ST742	Omicron	SHJ 324	20 29.9	-18 35	6.1	19"	Cap	double star
ST743	49	Σ2716	20 41.0	+32 18	5.5	3"	Cyg	double star magnitude contrast
ST744	V	V CYG	20 41.3	+48.2	7.7	*	Cyg	variable star
ST745	Deneb	Alpha Cyg	20 41.4	+45 17	1.3	*	Cyg	star
ST746	52	52 CYG	20 45.7	+30.7	4.2	6"	Cyg	double star
ST747	Gamma		20 46.7	+16 07	4.3	10"	Del	double star
ST748	Lambda	Lambda CYG	20 47.4	+36.5	4.9	0.9"	Cyg	double star challenge
ST749	3	3 AQR	20 47.7	-5	4.4	*	Aqr	red variable star
ST750	S763		20 48.4	-18 11	6.7	16"	Cap	double star
ST751	4	4 AQR	20 51.4	-5.6	6.4	0.8"	Aqr	double star challenge
ST752	Omega	Omega CAP	20 51.8	-26.9	4.1	*	Cap	star
ST753	Epsilon	1 Equ	20 59.1	+04 18	5.2	1"	Equ	triple star challenge
ST754	Σ2751	Struve 2751	21 02.1	+56.7	6.1	1.5"	Cep	double star challenge
ST755	2	Σ2742	21 02.2	+07 11	7.4	3"	Equ	double star equal magnitude
ST756	Dunlop236	Dunlop 236	21 02.2	-43	6	57"	Mic	double star
ST757	Lambda	Lambda EQU	21 02.2	+07.2	7.4	3"	Equ	double star
ST758	12		21 04.1	-05 49	5.9	3"	Aqr	double star challenge
ST759	Xi	Xi CYG	21 04.9	+43.9	3.7	*	Cyg	star
ST760	61	Σ2758	21 06.9	+38 39	5.2	29"	Cyg	double star
ST761	24	24 CAP	21 07.1	-25	4.5	*	Cap	stellar planetary nebula
ST762	T	T CEP	21 09.5	+68.5	5.2	*	Cep	variable star
ST763	Gamma	Gamma EQU	21 10.3	+10.1	4.7	6'	Equ	double star

ST764	Σ2780	Struve 2780	21 11.8	+60.0	5.6	1.0"	Cep	double star challenge
ST765	Delta		21 14.5	+10 00	4.6	48"	Equ	double star magnitude contrast
ST766	Theta	Theta IND	21 19.9	-53.5	4.5	6"	Ind	double star
ST767	RY	RY AQR	21 20.3	-10.8	8	*	Aqr	variable star
ST768	Y	Y PAV	21 24.3	-69.7	8.6	*	Pav	variable star
ST769	Beta		21 28.7	+70 33	3.3	13"	Cep	double star magnitude contrast
ST770	S		21 35.2	+78 37	7.4	Stellar	Cep	red variable star
ST771	Σ2816		21 39.0	+57 29	5.6	12"	Cep	triple star
ST772	V460	V460 CYG	21 42.0	+35.5	5.6	*	Cyg	variable star
ST773	SS		21 42.7	+43 35	8.2	Stellar	Cyg	variable star
ST774	RV	RV CYG	21 43.3	+38.0	7.1	*	Cyg	variable star
ST775	Mu	Herschel's Garnet Star	21 43.5	+58 47	3.4	Stellar	Cep	red variable star
ST776	Epsilon		21 44.2	+09 52	2.5	83"	Peg	double star magnitude contrast
ST777	Lambda	Lambda OCT	21 50.9	-82.7	5.4	3"	Oct	double star
ST778	AG	AG PEG	21 51.0	+12.6	6	*	Peg	variable star
ST779	Σ2840		21 52.0	+55 47	5.5	18"	Cep	double star
ST780	Σ2841	Struve 2841	21 54.3	+19.7	6.4	22"	Peg	double star
ST781	RX	RX PEG	21 56.4	+22.9	8	*	Peg	variable star
ST782	Σ2873		21 58.4	+82 51	7.1	14"	Cep	double star equal magnitude
ST783	Eta	β 276	22 00.8	-28 27	5.8	1.9"	Psa	double star
ST784	29	S 802	22 02.5	-16 58	7.2	4"	Aqr	double star equal magnitude
ST785	Xi							
17 Cep,	Σ2863	22 03 8	+64 38	4.3	8"	Cep	double star	
ST786	OΣ461	O.Struve 461	22 03.9	+59.8	6.7	11.1"	Cep	double star
ST787	Lambda	Lambda GRU	22 06.1	-39.5	4.5	*	Gru	star
ST788	Al Nair	Alpha Gru	22 08.2	-46 58	1.7	Stellar	Gru	star
ST789	Σ2883		22 10.7	+70 07	5.7	15"	Cep	double star
ST790	Zeta	Zeta CEP	22 10.9	+58.2	3.4	*	Cep	star
ST791	h1746	h1746	22 13.9	+39.7	4.5	28"	Lac	double star
ST792	41		22 14.3	-21 04	5.3	5"	Aqr	colored double star
ST793	1	1 LAC	22 16.0	+37.7	4.1	*	Lac	star
ST794	Alpha	Alpha TUC	22 18.5	-60.3	2.9	5'	Tuc	star
ST795	Σ2894		22 18.9	+37 46	6.1	16"	Lac	colored double star
ST796	Pi	Pi GRU	22 23.1	-45.9	5.8	2.7"	Gru	double star
ST797	S	S GRU	22 26.1	-48.4	6	*	Gru	variable star
ST798	53		22 26.6	-16 45	6.4	3"	Aqr	double star equal magnitude
ST799	Delta	Delta TUC	22 27.3	-65	4.5	7"	Tuc	double star
ST800	Kruger60	Kruger 60	22 28.1	+57.7	9.8	3"	Cep	double star
ST801	Zeta		22 28.8	-00 01	4.3	2"	Aqr	double star challenge
ST802	Delta		22 29.2	+58 25	3.8	20"	Cep	colored double star
ST803	5	5 LAC	22 29.5	+47.7	4.4	5'	Lac	star
ST804	Delta2	Delta2 GRU	22 29.8	-43.7	4.1	15'	Gru	red variable star
ST805	37	37 PEG	22 30.0	+04.4	5.8	1"	Peg	double star challenge
ST806	Roe47		22 32.5	+39 46	5.8	43"	Lac	quadruple star
ST807	8		22 35.9	+39 38	6.5	22"	Lac	triple star
ST808	11	11 LAC	22 40.5	+44.3	4.5	*	Lac	star
ST809	Beta	Beta GRU	22 42.7	-46.9	2.1	*	Gru	star
ST810	Tau1	Tau1 AQR	22 47.7	-14.1	5.7	23"	Aqr	double star
ST811	Σ2947	Struve 2947	22 49.0	+68.6	7	4.3"	Cep	double star
ST812	Tau2	Tau2 AQR	22 49.6	-13.6	4	40'	Aqr	star
ST813	Σ2950	Struve 2950	22 51.4	+61.7	6.1	1.7"	Cep	double star
ST814	h1823		22 51.8	+41 19	7.1	82"	Lac	quadruple star
ST815	Lambda	Lambda AQR	22 52.6	-7.6	3.7	*	Aqr	star
ST816	Fomalhaut	Alpha PsA	22 57.6	-29 37	1.2	*	PsA	star
ST817	52	52 PEG	22 59.2	+11.7	6.1	0.7"	Peg	double star challenge
ST818	Scheat	Beta PEG	23 03.8	+28.1	2.4	*	Peg	star
ST819	Dunlop246	Dunlop 246	23 07.2	-50.7	6.1	9"	Gru	double star
ST820	Σ2978		23 07.5	+32 49	6.3	8"	Peg	double star
ST821	Pi	Pi CEP	23 07.9	+75.4	4.6	1.2"	Cep	double star challenge
ST822	Phi	Phi AQR	23 14.3	-6	4.2	*	Aqr	red variable star
ST823	Psi3	Psi3 AQR	23 19.0	-9.6	5	1.5"	Aqr	double star
ST824	94		23 19.1	-13 28	5.1	13"	Aqr	colored double star
ST825	Dunlop249	Dunlop 249	23 23.9	-53.8	6.5	27"	Gru	double star
ST826	99	99 AQR	23 26.0	-20.6	4.4	*	Aqr	star
ST827	Z		23 33.7	+48 49	8	Stellar	And	variable star
ST828	Gamma	Gamma CEP	23 39.3	+77.6	3.2	*	Cep	star
ST829	Theta	Theta PHE	23 39.5	-46.6	6.6	4"	Phe	double star
ST830	R		23 43.8	-15 17	5.8	Stellar	Aqr	variable star
ST831	107		23 46.0	-18 41	5.3	7"	Aqr	double star equal magnitude
ST832	TX	19 Psc	23 46.4	+03 29	6.9	Stellar	Psc	red variable star
ST833	Σ3042		23 51.8	+37 53	7.8	5"	And	double star equal magnitude
ST834	Lal192		23 54.4	-27 03	6.9	7"	Sci	double star
ST835	R		23 58.4	+51 24	4.7	Stellar	Cas	variable star
ST836	Sigma		23 59.0	+55 45	4.9	3"	Cas	colored double star
ST837	Σ3050		23 59.5	+33 43	6.6	1.5"	And	double star challenge

NOTES

For further questions or additional information please contact:

**Bushnell Corporation
8500 Marshall Drive
Lenexa, Kansas 66214
(800) 423-3537 • www.bushnell.com**

Free Manuals Download Website

<http://myh66.com>

<http://usermanuals.us>

<http://www.somanuals.com>

<http://www.4manuals.cc>

<http://www.manual-lib.com>

<http://www.404manual.com>

<http://www.luxmanual.com>

<http://aubethermostatmanual.com>

Golf course search by state

<http://golfingnear.com>

Email search by domain

<http://emailbydomain.com>

Auto manuals search

<http://auto.somanuals.com>

TV manuals search

<http://tv.somanuals.com>