

# PARTS MANUAL



## MULTIQUIP MODEL QP-204H GASOLINE POWERED CENTRIFUGAL PUMP

© COPYRIGHT 2002, MULTIQUIP INC.

Revision #1 (11/22/02)



**MULTIQUIP INC.**

18910 WILMINGTON AVE.  
CARSON, CALIFORNIA 90746  
310-537-3700  
800-421-1244  
FAX: 310-537-3927

**E-mail:** [mq@multiquip.com](mailto:mq@multiquip.com) • **www:** [www.multiquip.com](http://www.multiquip.com)

Atlanta • Boise • Dallas • Houston • Newark  
Montreal, Canada • Manchester, UK  
Rio De Janeiro, Brazil • Guadalajara, Mexico

**PARTS DEPARTMENT:**

800-427-1244  
FAX: 800-672-7877

**SERVICE DEPARTMENT/TECHNICAL ASSISTANCE:**

800-478-1244  
FAX: 310-631-5032

## **HERE'S HOW TO GET HELP**

*PLEASE HAVE THE MODEL AND SERIAL NUMBER  
ON-HAND WHEN CALLING*

### ***PARTS DEPARTMENT***

*800/427-1244 or 310/537-3700*

*FAX: 800/672-7877 or 310/637-3284*

### ***SERVICE DEPARTMENT***

*800/478-1244 or 310/537-3700*

*FAX: 310 - 537-4259*

### ***WARRANTY DEPARTMENT***

*800/421-1244, EXT. 279 or 310/537-3700*

*FAX: 310 - 537-1173*

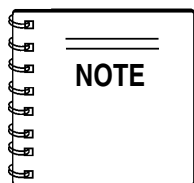
### ***MAIN***

*800/421-1244 or 310/537-3700*

*FAX: 310 - 537-3927*

## QP-204H Gasoline Powered Centrifugal Pump

Here's How To Get Help .....	2
Table of Contents .....	3
Parts Ordering Procedures .....	4-5
Explanation of Codes in Remarks Column .....	6
Suggested Spare Parts .....	7
Pump Assembly .....	8-9



***Specification and part number  
are subject to change without  
notice.***

## Honda GX120K1PX2 Engine

Air Cleaner (Dual) Assembly .....	10-11
Camshaft Assembly .....	12-13
Carburetor Assembly .....	14-15
Control Assembly .....	16-17
Crankcase Cover Assembly .....	18-19
Crankshaft Assembly .....	20-21
Cylinder Barrel Assembly .....	22-23
Cylinder Head Assembly .....	24-25
Fan Cover Assembly .....	26-27
Flywheel Assembly .....	28-29
Fuel Tank Assembly .....	30-31
Ignition Coil Assembly .....	32-33
Muffler Assembly .....	34-35
Piston Assembly .....	36-37
Recoil Starter Assembly .....	38-39
Gasket Kit Assembly .....	41
Labels .....	42-43

Terms and Condition Of Sale — Parts .....	44
---	----

## PARTS ORDERING PROCEDURES

- Dealer account number
- Dealer name and address
- Shipping address (if different than billing address)
- Return fax number
- Applicable model number
- Quantity, part number and description of each part
- Specify preferred method of shipment:
  - UPS Ground
  - UPS Second Day or Third Day\*
  - UPS Next Day\*
  - Federal Express Priority One (please provide us with your Federal Express account number)\*
  - Airborne Express\*
  - Truck or parcel post

*\*Normally shipped the same day the order is received, if prior to 2PM west coast time.*

## Earn Extra Discounts when you order by FAX!

All parts orders which include complete part numbers and are received by fax qualify for the following extra discounts:

<u>Number of line items ordered</u>	<u>Additional Discount</u>
1-9 items	3%
10+ items**	5%

### Get special freight allowances when you order 10 or more line items via FAX!\*\*

- UPS Ground Service at no charge for freight
- UPS Third Day Service at one-half of actual freight cost

No other allowances on freight shipped by any other carrier.

\*\*Common nuts, bolts and washers (all items under \$1.00 list price) do not count towards the 10+ line items.

\*DISCOUNTS ARE SUBJECT TO CHANGE\*

Fax order discount and UPS special programs revised June 1, 1995

**Extra Fax Discount  
for Domestic USA  
Dealers Only**

**Up to 5%  
extra savings!**

**UPS  
Special**  
For faxed orders only

**Now! Direct TOLL-FREE access  
to our Parts Department!**

Toll-free nationwide:

800-421-1244

Toll-free FAX:

800/6-PARTS-7 • 800-672-7877



# QP-204A — EXPLANATION OF CODE IN REMARKS COLUMN

How to read the marks and remarks used in this parts book.

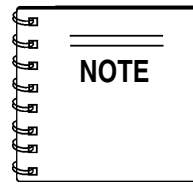
## Items Found In the “Remarks” Column

**Serial Numbers**-Where indicated, this indicates a serial number range (inclusive) where a particular part is used.

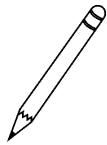
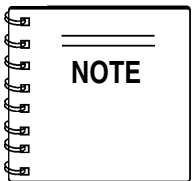
**Model Number**-Where indicated, this shows that the corresponding part is utilized only with this specific model number or model number variant.

## Items Found In the “Items Number” Column

All parts with same symbol in the number column, \*, #, +, %, or ■, belong to the same assembly or kit.



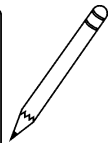
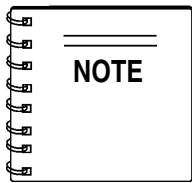
*The contents of this catalog are subject to change without notice.*



If more than one of the same reference number is listed, the last one listed indicates newest (or latest) part available.

## QP-204H CENTRIFUGAL PUMP 1 TO 3 UNITS WITH HONDA GX120K1PX2 ENGINE

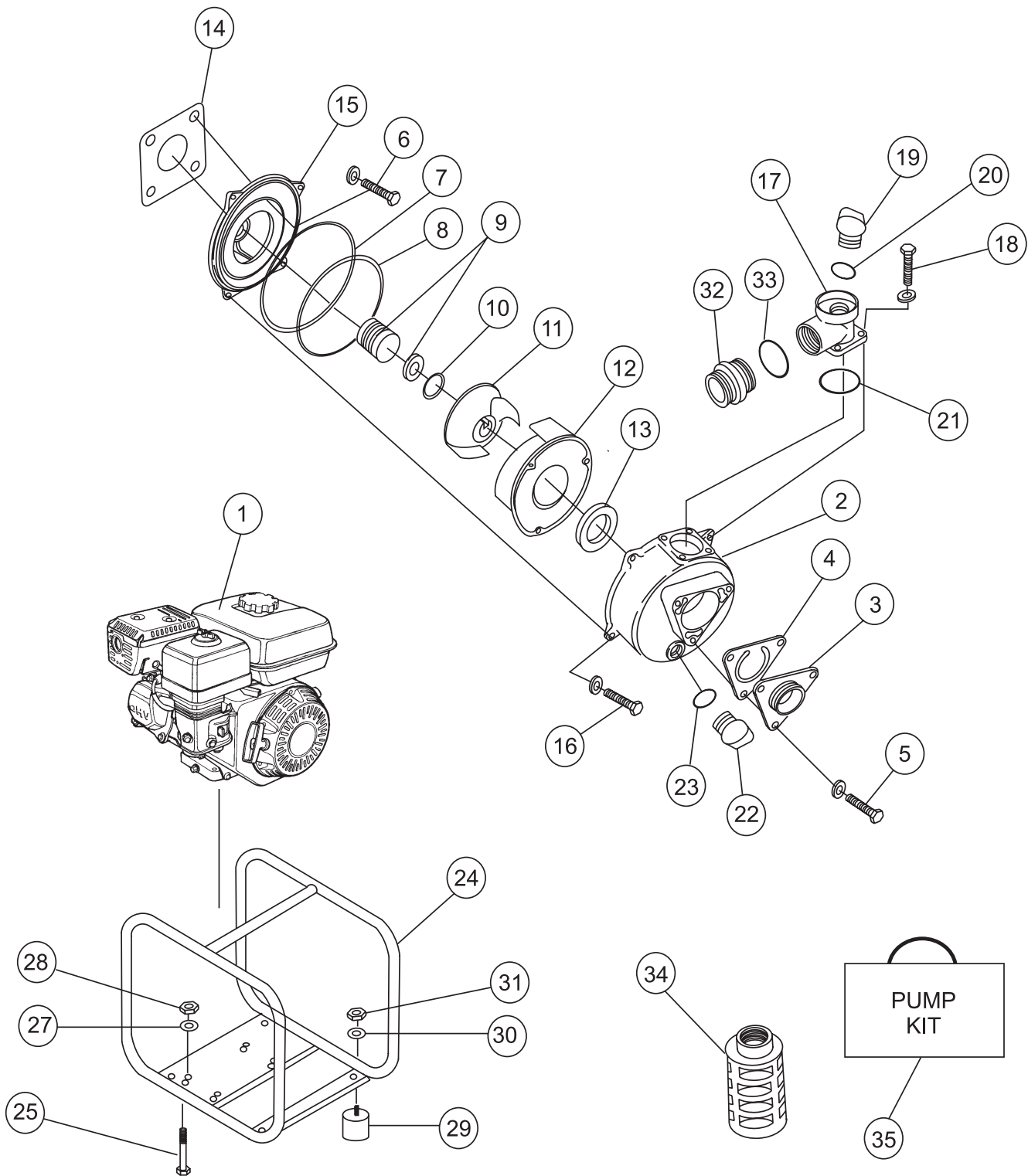
Qty.	P/N	Description
2	KIT204	KIT, PUMP
2	0631211100	DRAIN CAP, FLOODING
2	0480350300	O-RING DRAIN CAP
1	9258000030	IMPELLER
3	17210ZE0505	ELEMENT AIR CLEANER DUAL
3	9807956846	SPARK PLUG
1	17620ZH7023	CAP, FUEL WITH GASKET
1	28462ZH8003	ROPE STARTER



Part number on this Suggested Spare Parts List may super cede/replace the P/N shown in the text pages of this book.

# QP-204H — PUMP ASSY.

## PUMP ASSY.



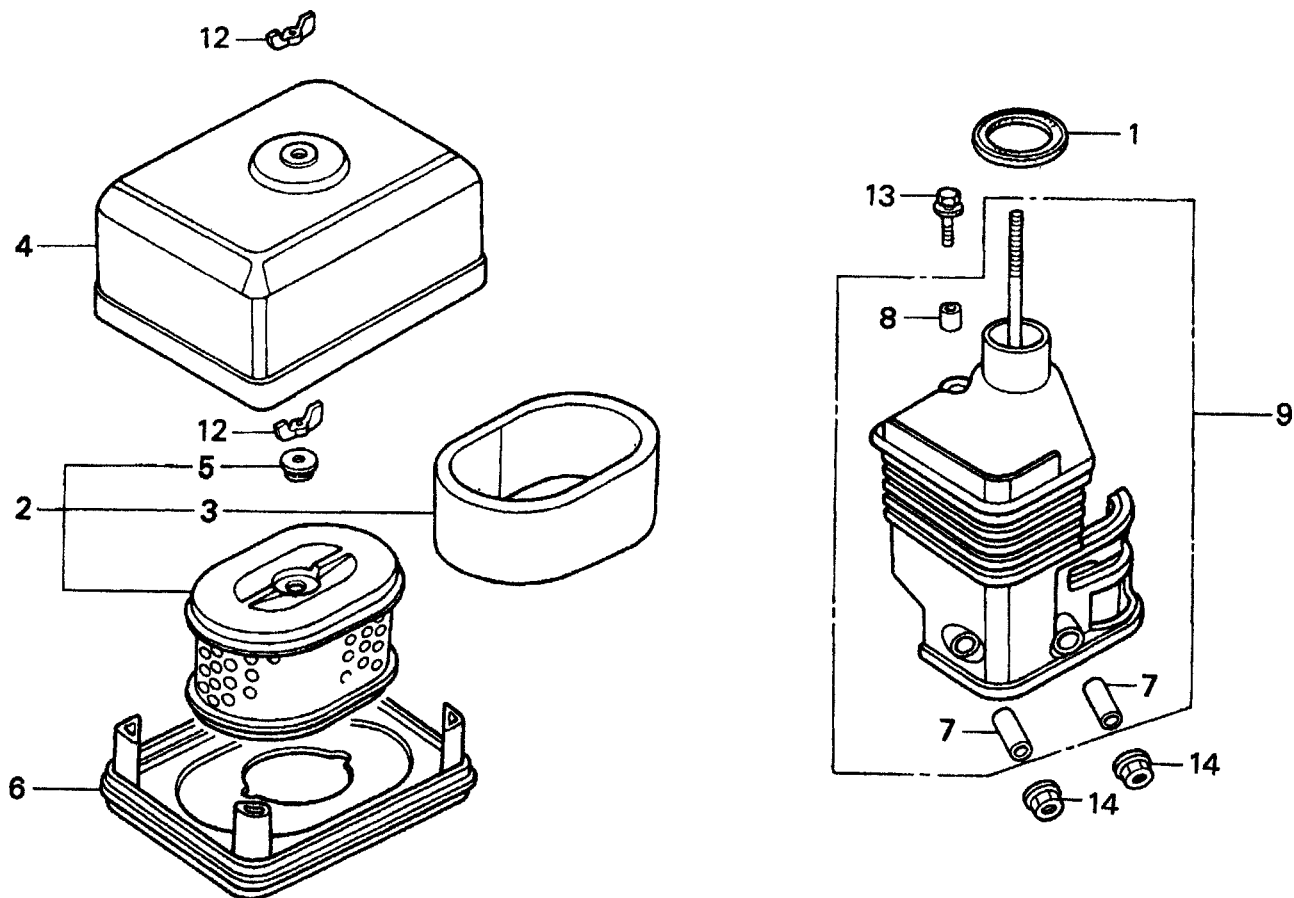


PUMP ASSY.

<b>NO.</b>	<b>PART NO.</b>	<b>PART NAME</b>	<b>QTY.</b>	<b>REMARKS</b>
1	GX120K1PX2	ENGINE, HONDA	1	
2	1293100010	CASING	1	
3	1808000160	SUCTION COVER NPT2" .....	1	REPLACES 1808100160
4	1293350350	CHECK VALVE	1	
5	0181050820	BOLT SET WITH SPRING WASHER .....	3	REPLACES 0820018105
6	0181050820	BOLT SET WITH SPRING WASHER .....	4	REPLACES 0820018105
7*	0489242100	O'RING (CASING). DIA 2.4 X DIA. 210 .....	1	REPLACES 2100048924
8*	0489241780	O'RING (VOLUTE CASING) .....	1	REPLACES 1780048924
9*	0803442320	MECHANICAL SEAL SILCON CARBIDE..... 1 SET .....	1	REPLACES 0803112320
10*	0852831600	ADJUST LINER DIA. 0.3 THICKNESS .....	1~3	REPLACES 1713085283
10*	0852851600	ADJUST LINER DIA. 0.5 THICKNESS .....	1~3	REPLACES 1713085283
11	9258000030	IMPELLER .....	1	REPLACES 1293000030
12	1808000130	VOLUTE CASING	1	
13	1293330620	VOLUTE CASING PACKING	1	
14	1201390610	CASING COVER PACKING .....	1	REPLACES 1211390610
15	9258100020	CASING COVER .....	1	REPLACES 1293100020
16	0181050825	BOLT SET WITH SPRING WASHER .....	4	REPLACES 0820018105
		(DELIVERY ELBOW) M8 X 25		
17	9246100090	DELIVERY ELBOW NPS2"	1	
18	0181050820	BOLT SET WITH SPRING WASHER .....	4	REPLACES 0820018105
19	0631211100	FLOODING CAP PF1" .....	1	REPLACES 1100063121
20	0480350300	O'RING (FLOODING CAP) P30 .....	1	REPLACES 0300048035
21	0481310550	O'RING (DELIVERY ELBOW) G55 .....	1	REPLACES 0550048131
22	0631211060	DRAIN CAP PF3/4" .....	1	REPLACES 1060063121
23	0480240220	O'RING (DRAIN CAP) P22 .....	1	REPLACES 0220048024
24	1808214010	BASE .....	1	REPLACES 1293214010
25	0105050840	BOLT (ENGINE) M8 X 40 .....	4	REPLACES 0840010505
27	0451250080	SPRING WASHER M8 .....	4	REPLACES 0080045125
28	0205450080	NUT (ENGINE) M8 .....	4	REPLACES 0080020545
29	0723322030	CUSHION RUBBER DIA. 30 H20 M6 .....	4	REPLACES 2030072332
30	0451250060	SPRING WASHER M6 .....	4	REPLACES 0060045125
31	0205450060	NUT (CUSHION RUBBER) M6 .....	4	REPLACES 0060020545
32	0790432020	NIPPLE (DELIVERY) NPS2" X NPT2" .....	1	REPLACES 1279001800
33	0481310550	O'RING (NIPPLE) G55 .....	1	REPLACES 0550048131
34	0742303050	STRAINER NPT2" .....	1	REPLACES 1279308020
35	KIT204	KIT, PUMP .....	1	INCLUDES ITEMS W/*

# HONDA GX120K1PX2 ENGINE — AIR CLEANER (DUAL) ASSY.

AIR CLEANER (DUAL) ASSY.



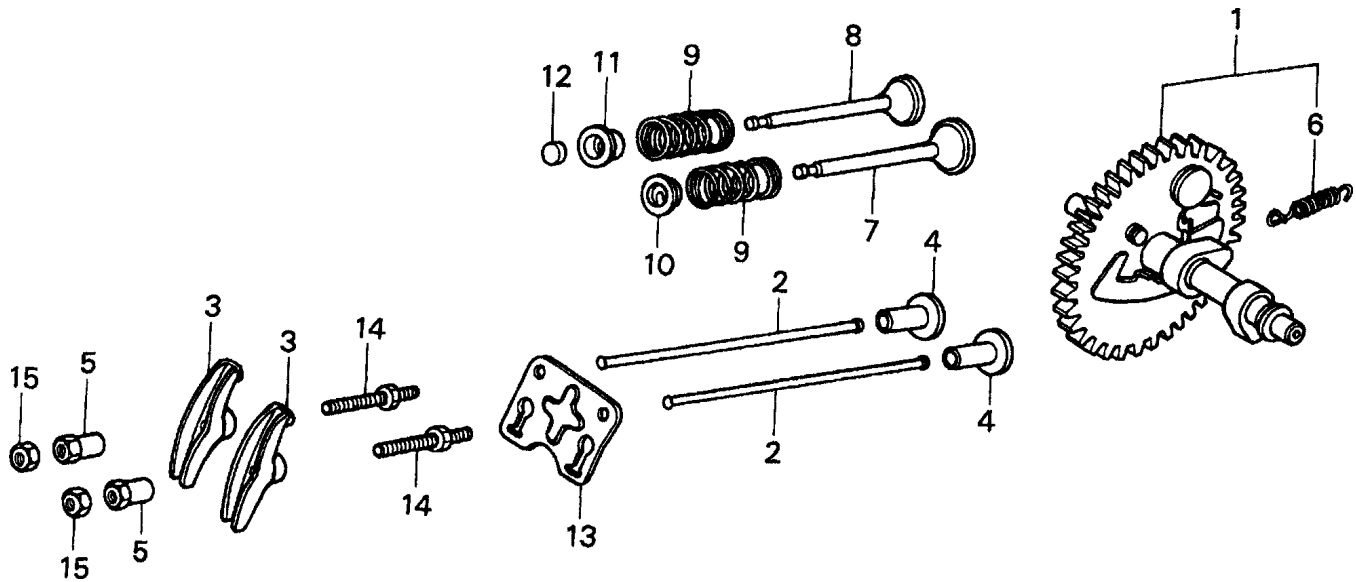
# HONDA GX120K1PX2 ENGINE — AIR CLEANER (DUAL) ASSY.

AIR CLEANER (DUAL) ASSY.

<u>NO.</u>	<u>PART NO.</u>	<u>PART NAME</u>	<u>QTY.</u>	<u>REMARKS</u>
1	16271ZE1000	GASKET, ELBOW	1	
2	17210ZE0505	ELEMENT, AIR CLEANER (DUAL) .....	1	INCLUDES ITEMS W/*
3*	17218ZE0505	FILTER, OUTER	1	
4	17230ZE0820	COVER, AIR CLEANER (DUAL)	1	
5*	17232891000	GROMMET, AIR CLEANER	1	
7+	17238ZE0010	COLLAR, AIR CLEANER	2	
8+	17239ZE1000	COLLAR B, AIR CLEANER .....	1	INCLUDES ITEMS W/+
9	17410ZE0030	ELBOW, AIR CLEANER	1	
12	90325044000	WINGNUT, TOOL BOX SETTING	2	
13	957010602000	BOLT, FLANGE 6X20	1	
14	9405006000	NUT, FLANGE 6MM	2	

# HONDA GX120K1PX2 ENGINE — CAMSHAFT ASSY.

CAMSHAFT ASSY.



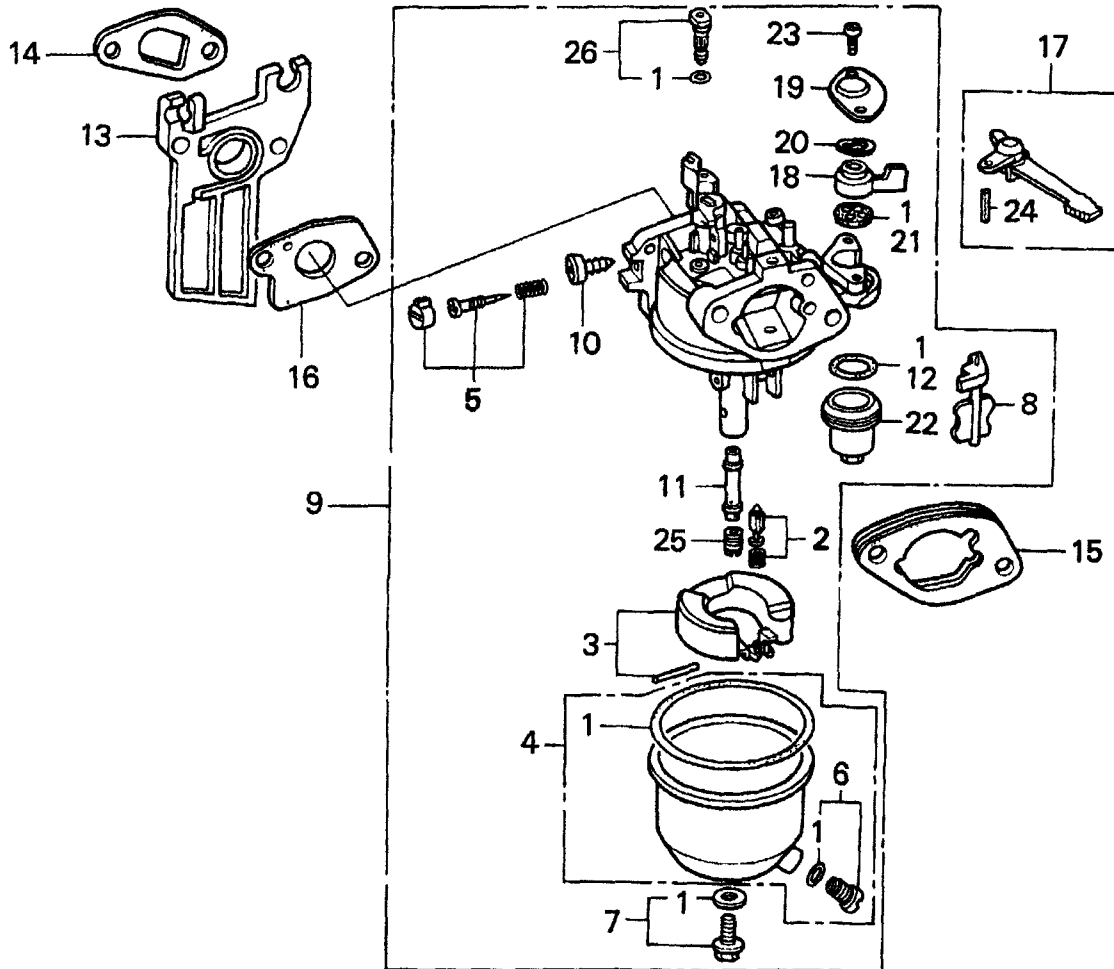
# HONDA GX120K1PX2 ENGINE — CAMSHAFT ASSY.

## CAMSHAFT ASSY.

<u>NO.</u>	<u>PART NO.</u>	<u>PART NAME</u>	<u>QTY.</u>	<u>REMARKS</u>
1	14100ZE0812	CAMSHAFT ASSEMBLY .....	1 .....	INCLUDES ITEMS W/*
2	14410ZE0010	ROD, PUSH	2	
3	14431ZE1000	ARM, VALVE ROCKER	2	
4	14441ZE1000	LIFTER, VALVE .....	2 .....	USE UP TO ENGINE S/N 2828018
4	14441ZE1010	LIFTER, VALVE .....	2 .....	USE FROM ENGINE S/N 2828019
5	14451ZE1013	PIVOT, ROCKER ARM	2	
6*	14568ZE1000	SPRING, WEIGHT RETURN	1	
7	14711ZF0000	VALVE, IN. ....	1 .....	USE UP TO ENGINE S/N 3890562
7	14711ZF0010	VALVE, IN. ....	1 .....	USE FROM ENGINE S/N 3890563
8	14721ZH7810	VALVE, EX. (STELITE)	1	
9	14751ZF1000	SPRING, VALVE	2	
10	14771ZE1000	RETAINER, IN. VALVE SPRING	1	
11	14773ZE1000	RETAINER, EX. VALVE SPRING	1	
12	14781ZE1000	ROTATOR, VALVE	1	
13	14791ZE0010	PLATE, PUSH ROD GUIDE	1	
14	90012ZE0010	BOLT, PIVOT 8MM	2	
15	90206ZE1000	NUT, PIVOT ADJ.	2	

# HONDA GX120K1PX2 ENGINE — CARBURETOR ASSY.

CARBURETOR ASSY.



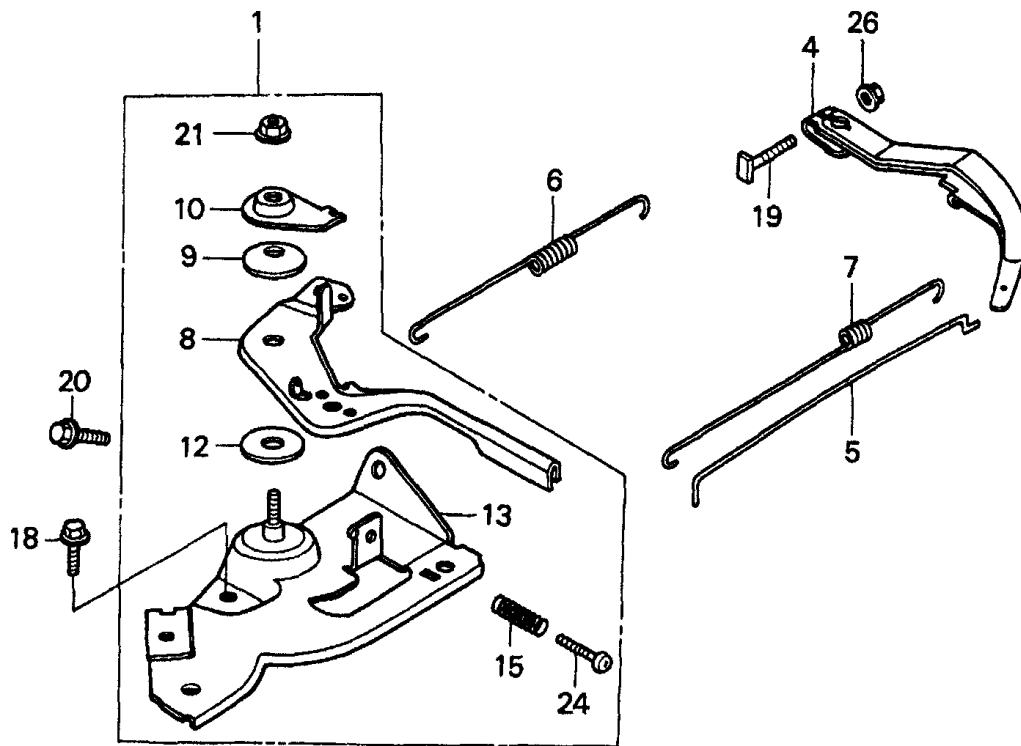
# HONDA GX120K1PX2 ENGINE — CARBURETOR ASSY.

## CARBURETOR ASSY.

<u>NO.</u>	<u>PART NO.</u>	<u>PART NAME</u>	<u>QTY.</u>	<u>REMARKS</u>
1*	16010ZE1812	GASKET SET	1	
2*	16011ZE0005	VALVE SET, FLOAT	1	
3*	16013ZE0005	FLOAT SET	1	
4*	16015ZE1811	CHAMBER SET, FLOAT	1	
5*	16016ZH7W01	SCREW SET	1	
6*	16024ZE1811	SCREW SET, DRAIN	1	
7*	16028ZE0005	SCREW SET B	1	
8*	16044ZE0005	CHOKE SET	1	
9	16100ZH7W51	CARBURETOR ASSEMBLY, BE60B B.....	1	INCLUDES ITEMS W/*
10*	16124ZE0005	SCREW, THROTTLE STOP	1	
11*	16166ZH7W50	NOZZLE, MAIN	1	
12*	16173001004	GASKET, FUEL STRAINER CUP	1	
13	16211ZE0000	INSULATOR, CARBURETOR	1	
14	16212ZH7800	GASKET, INSULATOR	1	
15	16220ZE1020	SPACER, CARBURETOR	1	
16	16221ZH8801	GASKET, CARBURETOR	1	
17	16610ZE1000	LEVER, CHOKE (STANDARD) .....	1	INCLUDES ITEMS W/+
18*	16953ZE1812	LEVER, VALVE	1	
19*	16954ZE1811	PLATE, LEVER SETTING	1	
19*	16954ZE1812	PLATE, LEVER SETTING	1	
20*	16956ZE1811	SPRING, VALVE LEVER	1	
21*	16957ZE1812	GASKET, VALVE	1	
22*	16967ZE0811	CUP, FUEL STRAINER	1	
23*	93500030080G	SCREW, PAN 3X8	2	
24+	9430520122	PIN, SPRING 2X12	1	
25	99101ZH80550	JET, MAIN #55 (OPTIONAL)	1	
25	99101ZH80580	JET, MAIN #58 (OPTIONAL)	1	
25*	99101ZH80600	JET, MAIN #60	1	
26*	99204ZE00350	JET SET, PILOT #35	1	

# HONDA GX120K1PX2 ENGINE — CONTROL ASSY.

CONTROL ASSY.





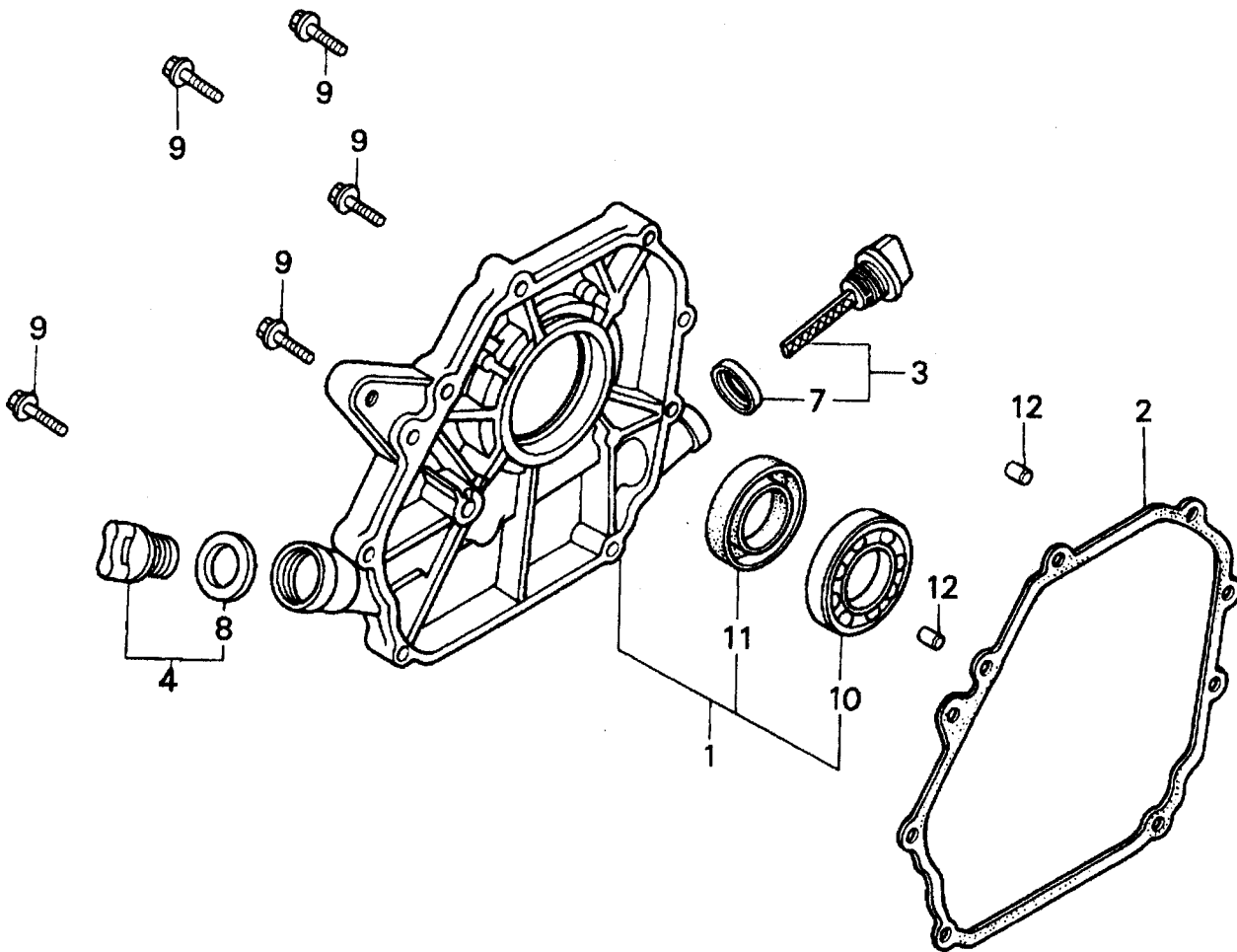
# HONDA GX120K1PX2 ENGINE — CONTROL ASSY.

## CONTROL ASSY.

<u>NO.</u>	<u>PART NO.</u>	<u>PART NAME</u>	<u>QTY.</u>	<u>REMARKS</u>
1	16500ZH7000	CONTROL ASSEMBLY .....	1	INCLUDES ITEMS W/*
4	16551ZE0010	ARM, GOVERNOR	1	
5	16555ZE0000	ROD, GOVERNOR	1	
6	16561ZE0020	SPRING, GOVERNOR	1	
7	16562ZE0020	SPRING, THROTTLE RETURN	1	
8*	16571ZH7000	LEVER, CONTROL	1	
9*	16574ZE1000	SPRING, LEVER	1	
10*	16575ZH8000	WASHER, CONTROL LEVER	1	
12*	16578ZE1000	SPACER, CONTROL LEVER	1	
13*	16580ZH7000	BASE, CONTROL	1	
15*	16584883300	SPRING, CONTROL ADJUSTING	1	
18	90013883000	BOLT, FLANGE 6X12 (CT200)	1	
19	90015ZE5010	BOLT, GOVERNOR ARM	1	
20	90022888010	BOLT, FLANGE 6X20 (CT200)	1	
21*	90114SA0000	NUT, SELF- LOCK 6MM	1	
24*	93500050250H	SCREW, PAN 5X25 .....	1	USE FROM ENGINE S/N 2812717
24	93500050280A	SCREW, PAN 5X28 .....	1	USE UP TO ENGINE S/N 2812716
26	9405006000	NUT, FLANGE 6MM	1	

# HONDA GX120K1PX2 ENGINE — CRANKCASE COVER ASSY.

CRANKCASE COVER ASSY.



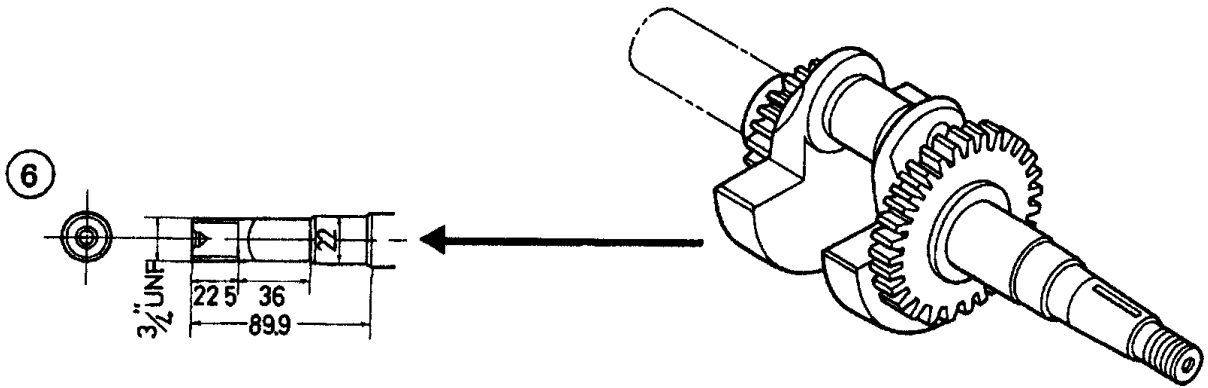
# HONDA GX120K1PX2 ENGINE — CRANKCASE COVER ASSY.

## CRANKCASE COVER ASSY.

<u>NO.</u>	<u>PART NO.</u>	<u>PART NAME</u>	<u>QTY.</u>	<u>REMARKS</u>
1	11300ZE0640	COVER ASSEMBLY, CRANKCASE (U- TYPE) .....	1 .....	INCLUDES ITEMS W/*
2	11381ZH7800	GASKET, CASE COVER	1	
3	15600ZE1003	CAP ASSEMBLY, OIL FILLER .....	1 .....	INCLUDES ITEMS W/+
4	15600ZG4003	CAP ASSEMBLY, OIL FILLER .....	1 .....	INCLUDES ITEMS W/#
7#	15625ZE1003	GASKET, OIL FILLER CAP	1	
8+	15625ZE1003	GASKET, OIL FILLER CAP	1	
9	90015883000	BOLT, FLANGE 6X28	7	
10*	91001878003	BEARING, RADIAL BALL	1	
11*	91203ZE0003	OIL SEAL 22X41X6	1	
12	9430108140	PIN A, DOWEL 8X14	2	

# HONDA GX120K1PX2 ENGINE — CRANKSHAFT ASSY.

CRANKSHAFT ASSY.



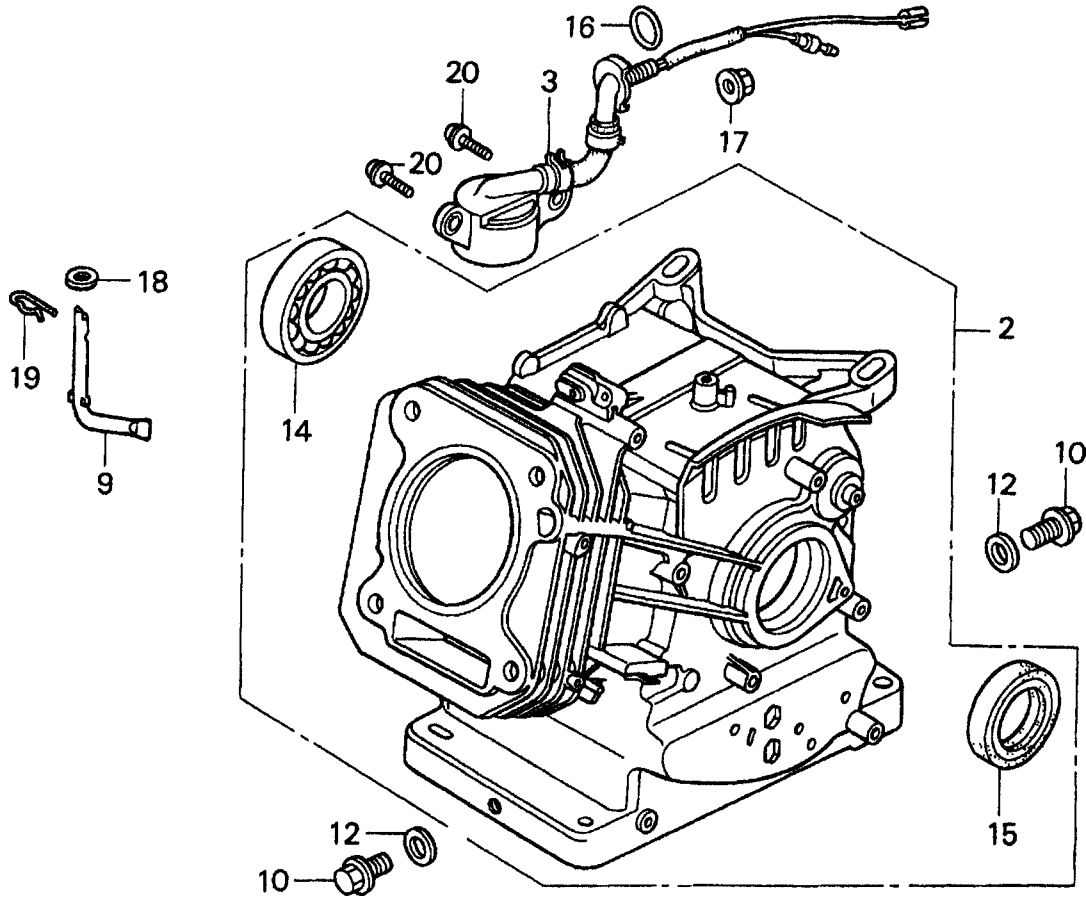
# HONDA GX120K1PX2 ENGINE — CRANKSHAFT ASSY.

CRANKSHAFT ASSY.

<u>NO.</u>	<u>PART NO.</u>	<u>PART NAME</u>	<u>QTY.</u>	<u>REMARKS</u>
6	13310ZE0650	CRANKSHAFT, P-TYPE	1	

# HONDA GX120K1PX2 ENGINE — CYLINDER BARREL ASSY.

CYLINDER BARREL ASSY.



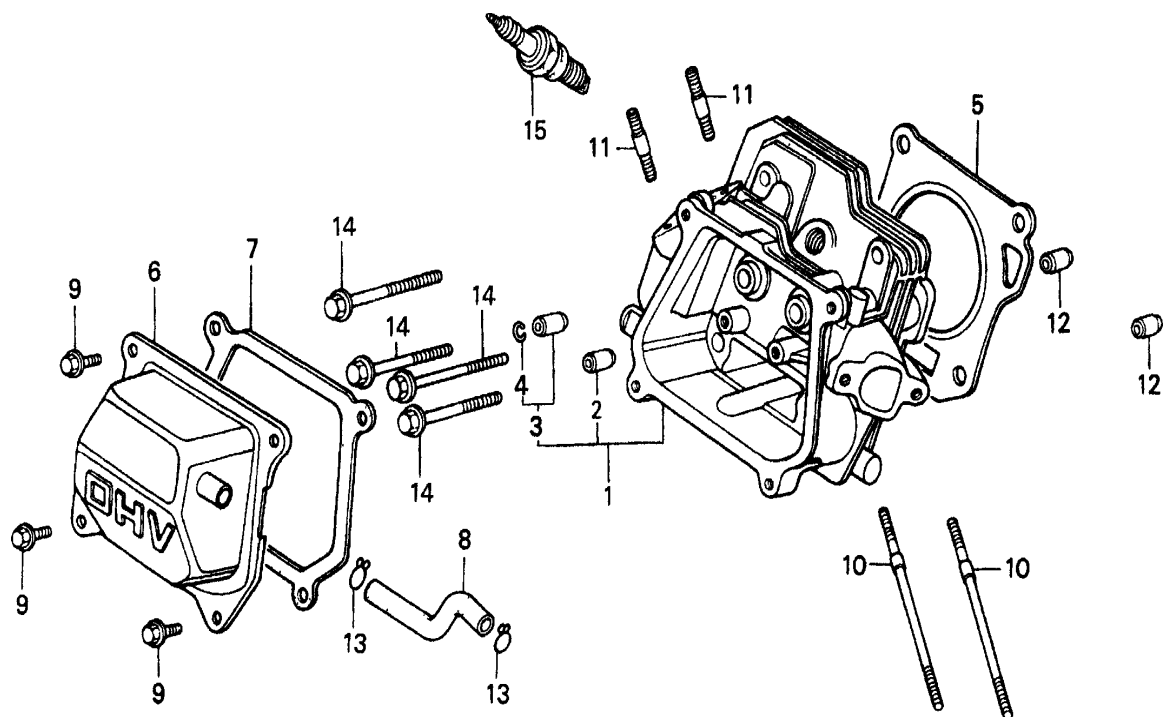
# HONDA GX120K1PX2 ENGINE — CYLINDER BARREL ASSY.

## CYLINDER BARREL ASSY.

<u>NO.</u>	<u>PART NO.</u>	<u>PART NAME</u>	<u>QTY.</u>	<u>REMARKS</u>
2	12000ZH7405	CYLINDER ASSEMBLY, 810 .....	1 .....	INCLUDES ITEMS W/* USE UP TO ENGINES/N 3841370
2	12000ZH7415	CYLINDER ASSEMBLY, 811 .....	1 .....	USE FROM ENGINES/N 3841371
3	15510ZE1023	SWITCH ASSEMBLY, OIL LEVEL .....	1 .....	USE UP TO ENGINES/N 2867761
3	15510ZE1033	SWITCH ASSEMBLY, OIL LEVEL .....	1 .....	USE FROM ENGINE S/N 2867761
4	16510ZE1000	GOVERNOR ASSEMBLY .....	1 .....	INCLUDES ITEMS W/#
5#	16511ZE1000	WEIGHT, GOVERNOR	2	
6#	16512ZE1000	HOLDER, GOVERNOR WEIGHT	1	
7#	16513ZE1000	PIN, GOVERNOR WEIGHT	2	
8	16531ZE1000	SLIDER, GOVERNOR	1	
9	16541ZE1000	SHAFT, GOVERNOR ARM	1	
10	90131ZE1000	BOLT, DRAIN PLUG	2	
11	90451ZE1000	WASHER, THRUST 6MM	1	
12	90601ZE1000	WASHER, DRAIN PLUG 10.2MM	2	
13	90602ZE1000	CLIP, GOVERNOR HOLDER	1	
14*	91001878003	BEARING, RADIAL BALL 62/22	1	
15*	91202ZE6003	OIL SEAL 22X35X6	1	
16	91353671003	O- RING 13.5X1.5 (ARAI)	1	
17	9405010000	NUT, FLANGE 10MM	1	
18	9410106800	WASHER, PLAIN 6MM	2	
19	9425108000	PIN, LOCK 8MM	1	
20	957010601200	BOLT, FLANGE 6X12	2	

# HONDA GX120K1PX2 ENGINE — CYLINDER HEAD ASSY.

CYLINDER HEAD ASSY.





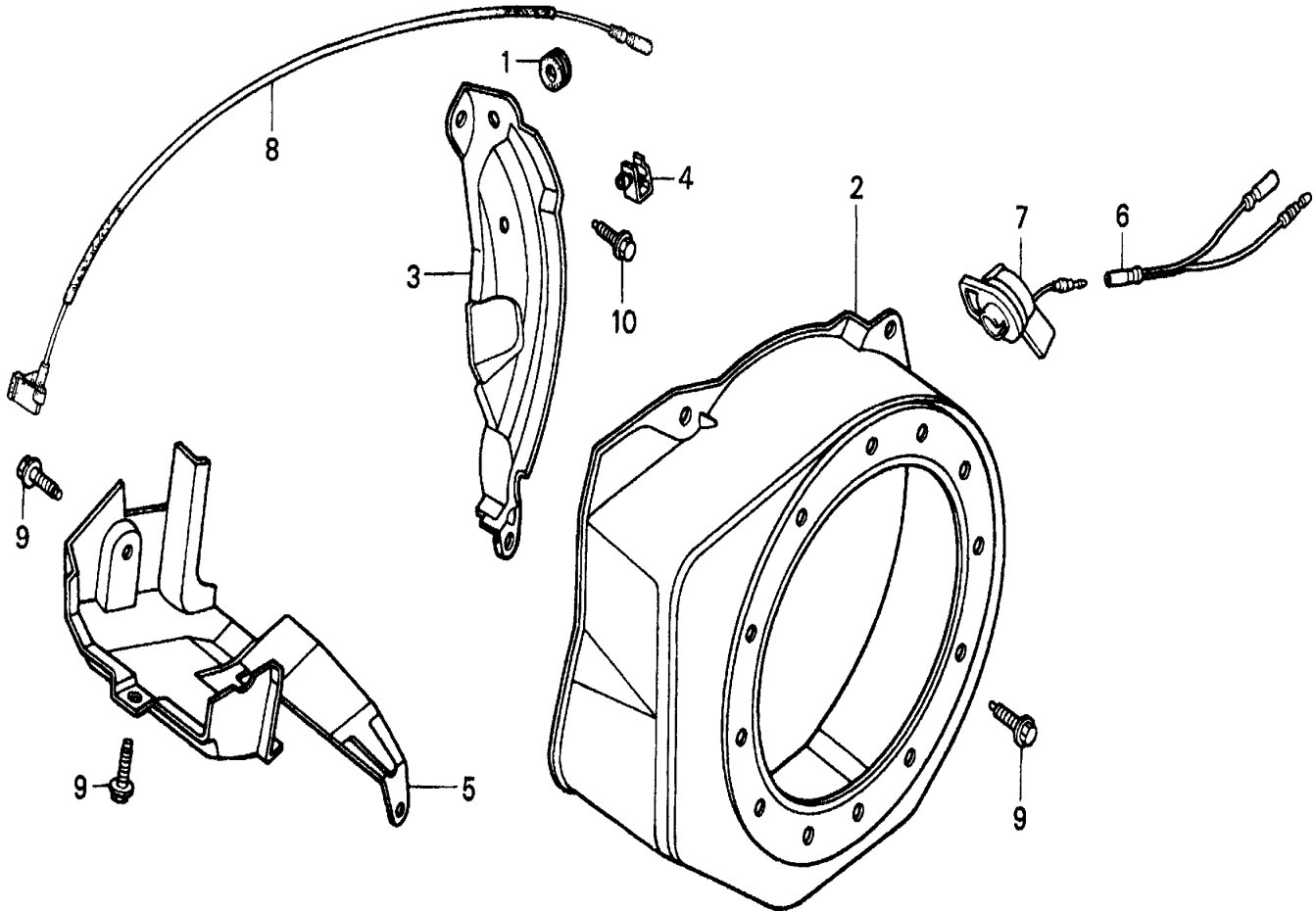
# HONDA GX120K1PX2 ENGINE — CYLINDER HEAD ASSY.

## CYLINDER HEAD ASSY.

<u>NO.</u>	<u>PART NO.</u>	<u>PART NAME</u>	<u>QTY.</u>	<u>REMARKS</u>
1	12210ZH7000	CYLINDER HEAD .....	1 .....	INCLUDES ITEMS W/*
2*	12204ZE1306	GUIDE, VALVE (OS) OPTIONAL	1	
3*	12205ZE1315	GUIDE, EX. VALVE (OS) OPTIONAL .....	1 .....	INCLUDES ITEMS W/+
4*+	12216ZE5300	CLIP, VALVE GUIDE	1	
5	12251ZH7800	GASKET, CYLINDER HEAD	1	
6	12310ZE1000	COVER, HEAD	1	
6	12310ZE1010	COVER, HEAD	1	
7	12391ZE1000	GASKET, CYLINDER HEAD COVER	1	
8	15721ZH8000	TUBE, BREATHER	1	
9	90013883000	BOLT, FLANGE 6X12 (CT200)	4	
10	90043ZE1020	BOLT, STUD 6X109	2	
11	90047ZE1000	BOLT, STUD 8X32	2	
12	9430110160	PIN, A, DOWEL 10X16	2	
14	957230805500	BOLT, FLANGE 8X55	4	
15	9807955846	SPARK PLUG BPR5ES (NGK), OPTIONAL	1	
15	9807956846	SPARK PLUG BPR5ES (NGK)	1	

# HONDA GX120K1PX2 ENGINE — FAN COVER ASSY.

FAN COVER ASSY.



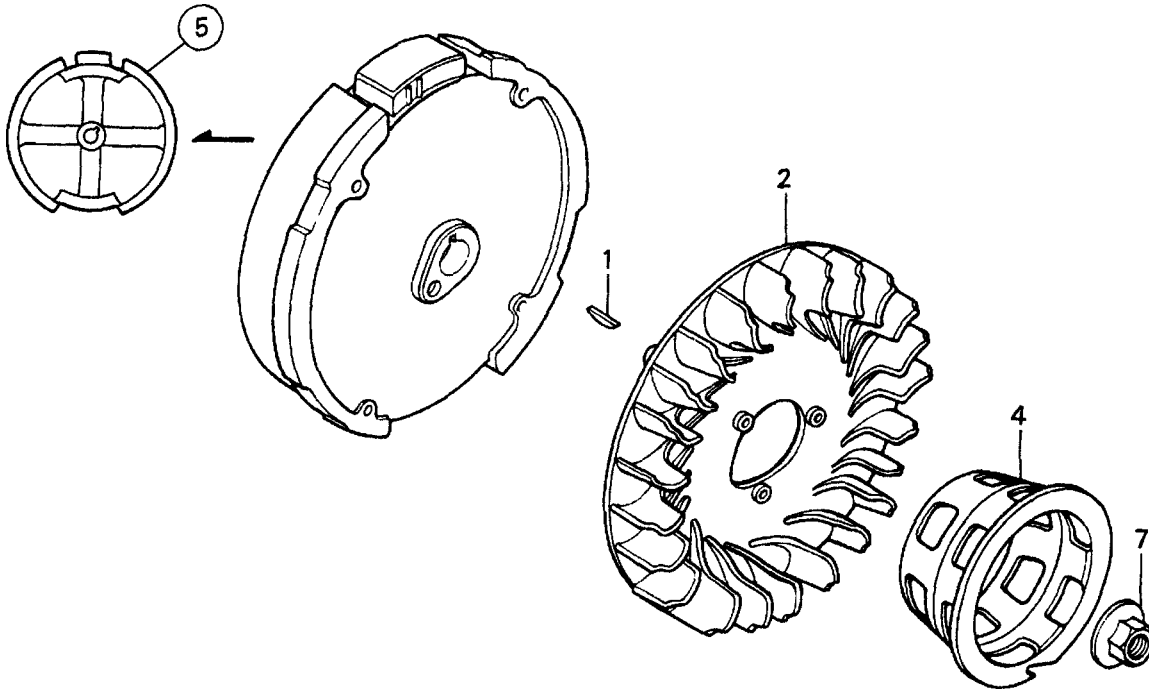
# HONDA GX120K1PX2 ENGINE — FAN COVER ASSY.

## FAN COVER ASSY.

<u>NO.</u>	<u>PART NO.</u>	<u>PART NAME</u>	<u>QTY.</u>	<u>REMARKS</u>
1	11347371300	GROMMET, ADJUSTING COVER	1	
2	19610ZE0000ZE	COVER, FAN *NH1* BLACK	1	
3	19611ZH7810	PLATE, SIDE (OIL ALERT) .....	1	USE FROM ENGINE S/N 3257377
3	19612ZH7810	PLATE, SIDE (OIL ALERT) .....	1	USE UP TO ENGINE S/N 3084882
3	19612ZH7811	PLATE, SIDE (OIL ALERT) .....	1	USE FROM ENGINE S/N 3084883 TO 3182937
4	19613ZE1010	CLAMP, CORD .....	1	USE UP TO ENGINE S/N 2867760
4	90601ZH7013	CLIP, HARNESS .....	1	USE FROM ENGINE S/N 2867761
5	19630ZH7000	SHROUD	1	
6	32197ZH8003	SUB- HARNESS	1	
7	36100ZE1015	SWITCH ASSEMBLY, ENGINE STOP .....	1	USE UP TO ENGINE S/N 2867760
7	36100ZH7003	SWITCH ASSEMBLY, ENGINE STOP .....	1	USE FROM ENGINE S/N 2867761
8	36101ZE1010	WIRE, STOP SWITCH 370MM	1	
9	90013883000	BOLT, FLANGE 6X12 (CT200)	6	
10	90022888010	BOLT, FLANGE 6X12 (CT200)	1	
11	34150ZH7003	ALERT UNIT, OIL .....	1	USE FROM ENGINE S/N 3259269
13	957010600800	BOLT, FLANGE 6X8 .....	1	USE FROM ENGINE S/N 3259269

# HONDA GX120K1PX2 ENGINE — FLYWHEEL ASSY.

FLYWHEEL ASSY.



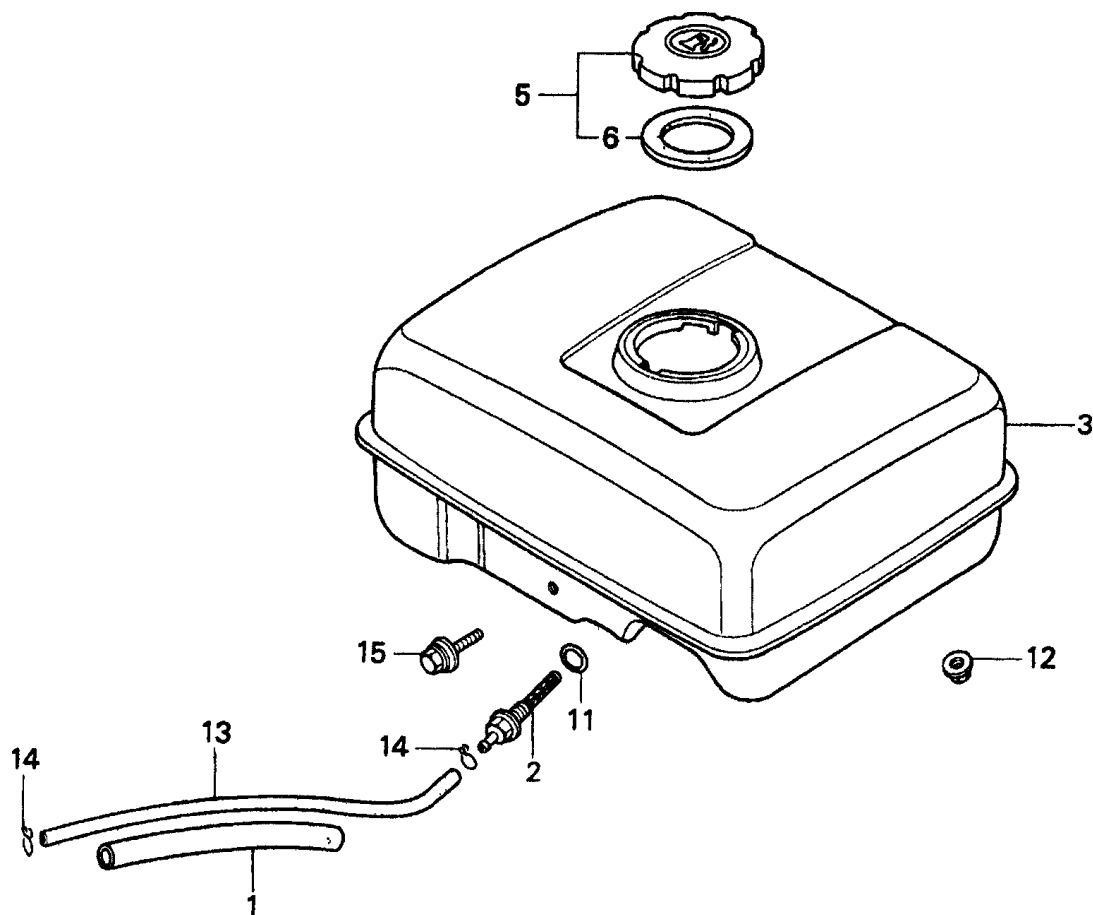
# HONDA GX120K1PX2 ENGINE — FLYWHEEL ASSY.

FLYWHEEL ASSY.

<u>NO.</u>	<u>PART NO.</u>	<u>PART NAME</u>	<u>QTY.</u>	<u>REMARKS</u>
1	13331357000	KEY, SPECIAL WOODRUFF 25X18	1	
2	19511ZE0000	FAN, COOLING	1	
4	28451ZH8003	PULLEY, STARTER	1	
5	31100ZE0010	FLYWHEEL	1	
7	90201878003	NUT, SPECIAL 14MM	1	

# HONDA GX120K1PX2 ENGINE — FUEL TANK ASSY.

FUEL TANK ASSY.



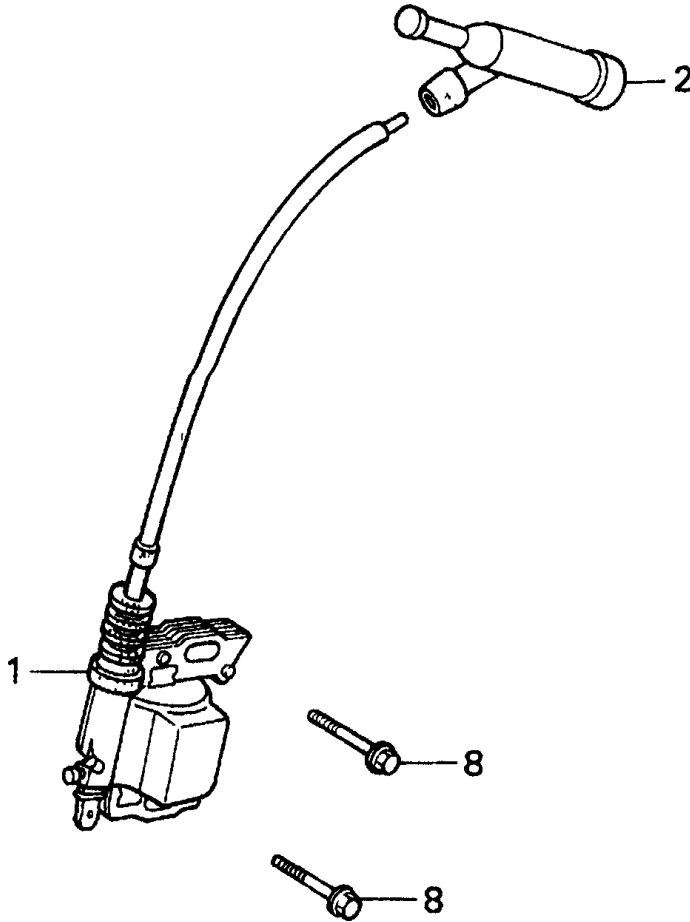
# HONDA GX120K1PX2 ENGINE — FUEL TANK ASSY.

## FUEL TANK ASSY.

<u>NO.</u>	<u>PART NO.</u>	<u>PART NAME</u>	<u>QTY.</u>	<u>REMARKS</u>
1	16854ZH8000	RUBBER, SUPPORTER 107MM	1	
2	16955ZE1000	JOINT, FUEL TANK	1	
3	17510ZE0020ZD	TANK, FUEL *NH1* (BLACK)	1	
5	17620ZH7023	CAP, FUEL FILLER .....	1	INCLUDES ITEMS W/*
6*	17631ZH7003	GASKET, FUEL FILLER CAP	1	
11	91353671003	O- RING 13.5X1.5 (ARAI)	1	
12	9405006000	NUT, FLANGE 6MM	2	
13	950014500360M	BULK HOSE, FUEL (4.5X3000) (4.5X140)	1	
14	9500202080	CLIP, TUBE (B8)	2	
15	90004ZH7003	BOLT, FLANGE 6X29 .....	1	USE FROM ENGIN S/N 3890883
15	957010602500	BOLT, FLANGE 6X25 .....	1	USE UP TO ENGIN S/N 3890882

# HONDA GX120K1PX2 ENGINE — IGNITION COIL ASSY.

IGNITION COIL ASSY.





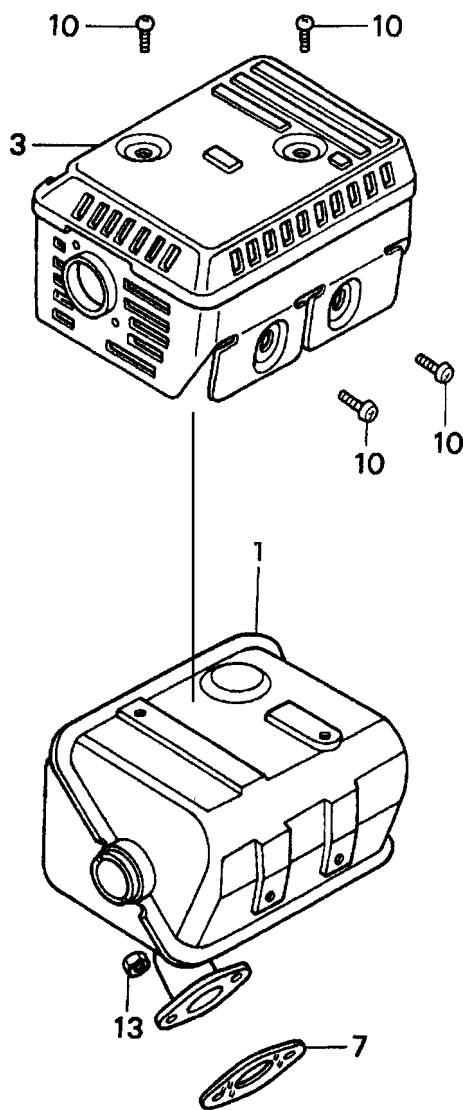
# HONDA GX120K1PX2 ENGINE — IGNITION COIL ASSY.

IGNITION COIL ASSY.

<u>NO.</u>	<u>PART NO.</u>	<u>PART NAME</u>	<u>QTY.</u>	<u>REMARKS</u>
1	30500ZE1033	COIL ASSEMBLY, IGNITION	1	
2	30700ZE1013	CAP ASSEMBLY, NOISE SUPPRESSOR	1	
8	90121952000	BOLT, FLANGE 6X25	2	

# HONDA GX120K1PX2 ENGINE — MUFFLER ASSY.

MUFFLER ASSY.



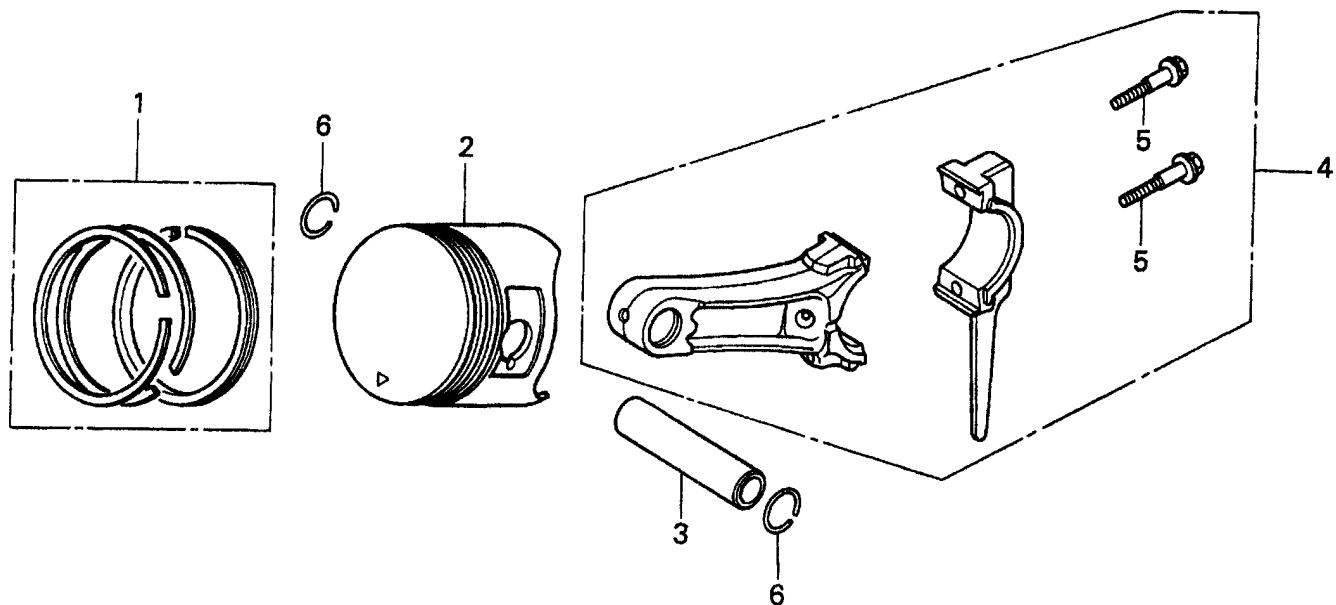
## HONDA GX120K1PX2 ENGINE — MUFFLER ASSY.

### MUFFLER ASSY.

<u>NO.</u>	<u>PART NO.</u>	<u>PART NAME</u>	<u>QTY.</u>	<u>REMARKS</u>
1	18310ZF1000	MUFFLER	1	
3	18320ZF1H01	PROTECTOR, MUFFLER	1	
7	18381ZH8800	GASKET, MUFFLER	1	
10	90050ZE1000	SCREW, TAPPING 5X8	4	
13	94001080000S	NUT, HEX. 8MM	2	

# HONDA GX120K1PX2 ENGINE — PISTON ASSY.

PISTON ASSY.



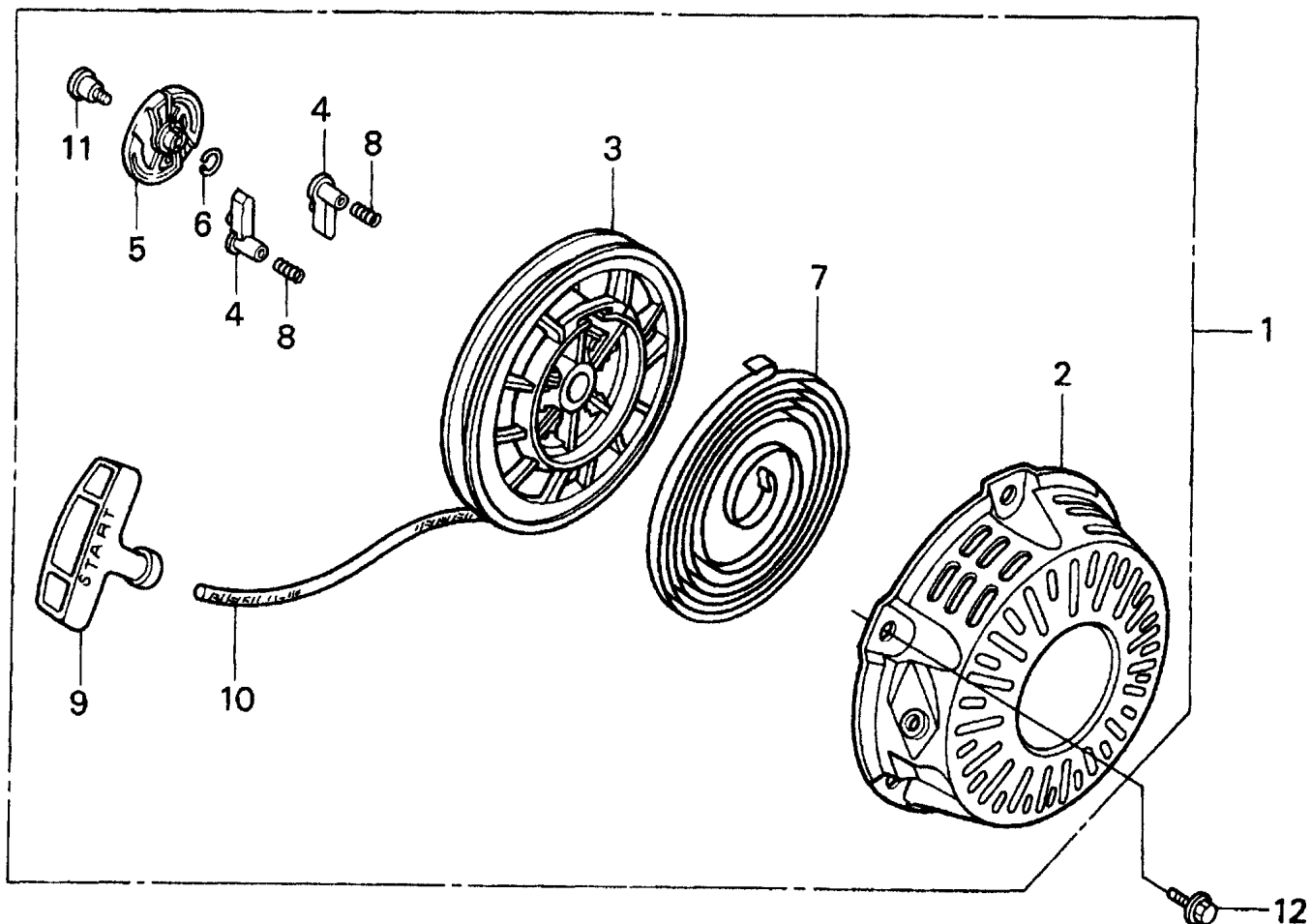
# HONDA GX120K1PX2 ENGINE — PISTON ASSY.

## PISTON ASSY.

<u>NO.</u>	<u>PART NO.</u>	<u>PART NAME</u>	<u>QTY.</u>	<u>REMARKS</u>
1	13010ZE6013	RING SET, PISTON (STANDARD) .....	1 .....	USE UP TO ENGINE S/N 3284616
1	13010ZK7V01	RING SET, PISTON (STANDARD) .....	1 .....	USE FROM ENGINE S/N 3284617
1	13011ZE6013	RING SET, PISTON (OS 0.25) .....	1 .....	USE UP TO ENGINE S/N 3284616
1	13011ZK7V01	RING SET, PISTON (OS 0.25) .....	1 .....	USE FROM ENGINE S/N 3284617
1	13012ZE6013	RING SET, PISTON (OS 0.50) .....	1 .....	USE UP TO ENGINE S/N 3284616
1	13012ZK7V01	RING SET, PISTON (OS 0.50) .....	1 .....	USE FROM ENGINE S/N 3284617
1	13013ZE6013	RING SET, PISTON (0.75) .....	1 .....	USE UP TO ENGINE S/N 3284616
1	13013ZK7V01	RING SET, PISTON (0.75) .....	1 .....	USE FROM ENGINE S/N 3284617
2	13101ZH7000	PISTON, STANDARD	1	
2	13102ZH7000	PISTON, OS 0.25	1	
2	13103ZH7000	PISTON, OS 0.50	1	
2	13104ZH7000	PISTON, 0.75	1	
3	13111ZE0000	PIN, PISTON	1	
4	132A0ZE0000	ROD ASSEMBLY, CONNECTING .....	1 .....	INCLUDES ITEMS W/* (UNDER SIZE)
4	13200ZE0000	ROD ASSEMBLY, CONNECTING	1	
5*	90001ZE1000	BOLT, CONNECTING ROD	2	
6	90551ZE0000	CLIP, PISTON PIN 13MM	2	

# HONDA GX120K1PX2 ENGINE — RECOIL STARTER ASSY.

RECOIL STARTER ASSY.



# HONDA GX120K1PX2 ENGINE — RECOIL STARTER ASSY.

## RECOIL STARTER ASSY.

<u>NO.</u>	<u>PART NO.</u>	<u>PART NAME</u>	<u>QTY.</u>	<u>REMARKS</u>
1	28400ZH8013ZB	STARTER ASSY., RECOIL *NH1* (BLACK) .....	1 .....	INCLUDES ITEMS W/*
2*	28410ZH8003ZB	CASE, RECOIL STARTER	1	
3*	28420ZH8013	REEL, RECOIL STARTER	1	
4*	28422ZH8013	RATCHET, STARTER	2	
5*	28433ZH8003	GUIDE, RATCHET	1	
6*	28441ZH8003	SPRING, FRICTION	1	
7*	28442ZH8003	SPRING, RECOIL STARTER	1	
8*	28443ZH8003	SPRING, RETURN	2	
9*	28461ZH8003	KNOB, RECOIL STARTER	1	
10*	28462ZH8003	ROPE, RECOIL STARTER	1	
11*	90003ZH8003	SCREW, SETTING	1	
12	9008ZE2003	BOLT, FLANGE 6X10	3	





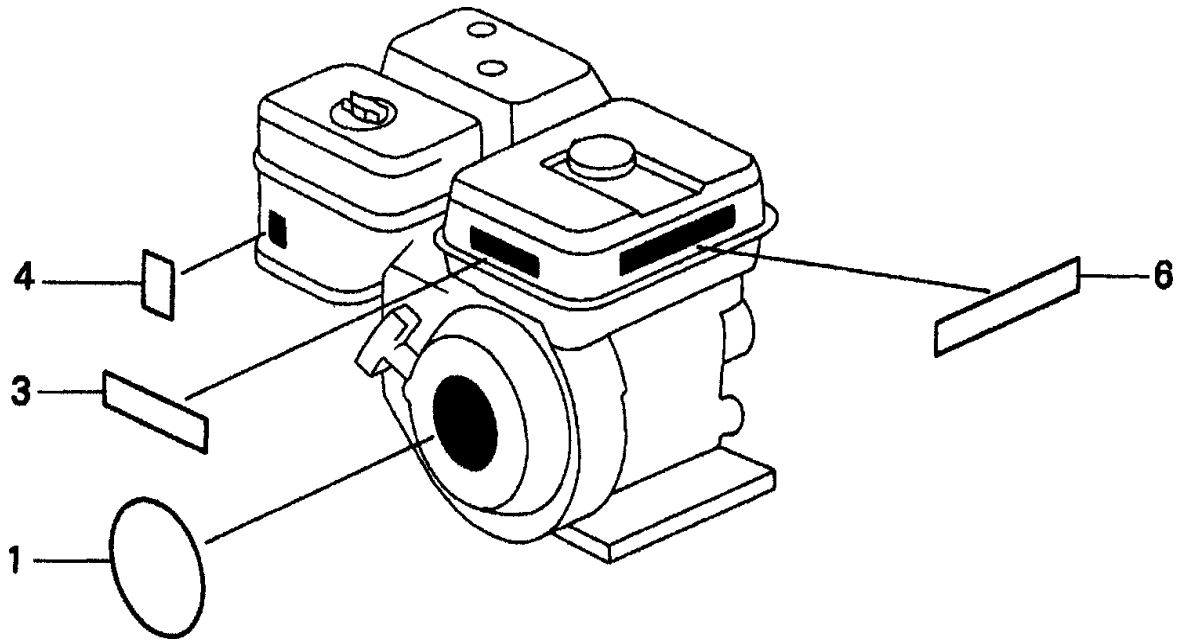
# HONDA GX120K1PX2 ENGINE — GASKET KIT ASSY.

## GASKET KIT ASSY.

<u>NO.</u>	<u>PART NO.</u>	<u>PART NAME</u>	<u>QTY.</u>	<u>REMARKS</u>
	06111ZH7405	GASKET KIT .....	1 .....	INCLUDES ITEMS W/*
1*	11381ZH7800	GASKET, CASE COVER	1	
2*	12251ZH7800	GASKET, CYLINDER HEAD	1	
3*	12391ZE1000	GASKET, CYLINDER HEAD COVER	1	
4*	16212ZH7800	GASKET, INSULATOR	1	
5*	16221ZH8801	GASKET, CARBURETOR	1	
6*	18381ZH8800	GASKET, MUFFLER	1	

# HONDA GX120K1PX2 ENGINE — LABELS

LABELS ASSY.



# HONDA GX120K1PX2 ENGINE — LABELS

## LABELS ASSY.

<u>NO.</u>	<u>PART NO.</u>	<u>PART NAME</u>	<u>QTY.</u>	<u>REMARKS</u>
1	87521ZH7010	EMBLEM ,INTERNAL .....	1 .....	USE UP TO ENGINE S/N 3841370
1	87521ZH7020	EMBLEM .....	1 .....	USE FROM ENGINE S/N 3841371
3	87522ZH9000	LABEL, CAUTION	1	
4	87528ZE1810	MARK, CHOKE	1	
6	87532ZH8810	MARK, OIL ALERT (E)	1	

**PAYMENT TERMS**

Terms of payment for parts are net 10 days.

**FREIGHT POLICY**

All parts orders will be shipped collect or prepaid with the charges added to the invoice. All shipments are F.O.B. point of origin. Multiquip's responsibility ceases when a signed manifest has been obtained from the carrier, and any claim for shortage or damage must be settled between the consignee and the carrier.

**MINIMUM ORDER**

The minimum charge for orders from Multiquip is \$15.00 net. Customers will be asked for instructions regarding handling of orders not meeting this requirement.

**RETURNED GOODS POLICY**

Return shipments will be accepted and credit will be allowed, subject to the following provisions:

1. A Returned Material Authorization must be approved by Multiquip prior to shipment.
2. To obtain a Return Material Authorization, a list must be provided to Multiquip Parts Sales that defines item numbers, quantities, and descriptions of the items to be returned.
  - a. The parts numbers and descriptions must match the current parts price list.
  - b. The list must be typed or computer generated.
  - c. The list must state the reason(s) for the return.
  - d. The list must reference the sales order(s) or invoice(s) under which the items were originally purchased.
  - e. The list must include the name and phone number of the person requesting the RMA.
3. A copy of the Return Material Authorization must accompany the return shipment.
4. Freight is at the sender's expense. All parts must be returned freight prepaid to Multiquip's designated receiving point.

5. Parts must be in new and resalable condition, in the original Multiquip package (if any), and with Multiquip part numbers clearly marked.
6. The following items are not returnable:
  - a. Obsolete parts. (If an item is in the price book and shows as being replaced by another item, it is obsolete.)
  - b. Any parts with a limited shelf life (such as gaskets, seals, "O" rings, and other rubber parts) that were purchased more than six months prior to the return date.
  - c. Any line item with an extended dealer net price of less than \$5.00.
  - d. Special order items.
  - e. Electrical components.
  - f. Paint, chemicals, and lubricants.
  - g. Decals and paper products.
  - h. Items purchased in kits.
7. The sender will be notified of any material received that is not acceptable.
8. Such material will be held for five working days from notification, pending instructions. If a reply is not received within five days, the material will be returned to the sender at his expense.
9. Credit on returned parts will be issued at dealer net price at time of the original purchase, less a 15% restocking charge.
10. In cases where an item is accepted, for which the original purchase document can not be determined, the price will be based on the list price that was effective twelve months prior to the RMA date.
11. Credit issued will be applied to future purchases only.

**PRICING AND REBATES**

Prices are subject to change without prior notice. Price changes are effective on a specific date and all orders received on or after that date will be billed at the revised price. Rebates for price declines and added charges for price increases will not be made for stock on hand at the time of any price change.

Multiquip reserves the right to quote and sell direct to Government agencies, and to Original Equipment Manufacturer accounts who use our products as integral parts of their own products.

**SPECIAL EXPEDITING SERVICE**

A \$35.00 surcharge will be added to the invoice for special handling including bus shipments, insured parcel post or in cases where Multiquip must personally deliver the parts to the carrier.

**LIMITATIONS OF SELLER'S LIABILITY**

Multiquip shall not be liable hereunder for damages in excess of the purchase price of the item with respect to which damages are claimed, and in no event shall Multiquip be liable for loss of profit or good will or for any other special, consequential or incidental damages.

**LIMITATION OF WARRANTIES**

No warranties, express or implied, are made in connection with the sale of parts or trade accessories nor as to any engine not manufactured by Multiquip. Such warranties made in connection with the sale of new, complete units are made exclusively by a statement of warranty packaged with such units, and Multiquip neither assumes nor authorizes any person to assume for it any other obligation or liability whatever in connection with the sale of its products. Apart from such written statement of warranty, there are no warranties, express, implied or statutory, which extend beyond the description of the products on the face hereof.



# PARTS MANUAL

## **HERE'S HOW TO GET HELP**

*PLEASE HAVE THE MODEL AND SERIAL NUMBER  
ON-HAND WHEN CALLING*

### **PARTS DEPARTMENT**

*800/427-1244 or 310/537-3700*

*FAX: 800/672-7877 or 310/637-3284*

### **SERVICE DEPARTMENT**

*800/478-1244 or 310/537-3700*

*FAX: 310 - 537-4259*

### **WARRANTY DEPARTMENT**

*800/421-1244, EXT. 279 or 310/537-3700*

*FAX: 310 - 537-1173*

### **MAIN**

*800/421-1244 or 310/537-3700*

*FAX: 310 - 537-3927*



#### **MULTIQUIP INC.**

POST OFFICE BOX 6254

CARSON, CA 90749

310-537-3700 • 800-421-1244

FAX: 310-537-3927

E-MAIL: [mq@multiquip.com](mailto:mq@multiquip.com)

WWW: [multiquip.com](http://multiquip.com)

Atlanta • Boise • Dallas • Houston • Newark  
Quebec, Canada • Manchester, UK • Rio De Janeiro, BR • Guadalajara, MX

## Free Manuals Download Website

<http://myh66.com>

<http://usermanuals.us>

<http://www.somanuals.com>

<http://www.4manuals.cc>

<http://www.manual-lib.com>

<http://www.404manual.com>

<http://www.luxmanual.com>

<http://aubethermostatmanual.com>

Golf course search by state

<http://golfingnear.com>

Email search by domain

<http://emailbydomain.com>

Auto manuals search

<http://auto.somanuals.com>

TV manuals search

<http://tv.somanuals.com>