

C.CRANE

CC GOZO

INSTRUCTION MANUAL

**PLEASE READ ALL THE INSTRUCTIONS COMPLETELY BEFORE USE
AND SAVE THIS MANUAL FOR FUTURE REFERENCE**

Specifications

DIMENSIONS:

7.25" W x 4.5" H x 3.25" D

WEIGHT:

1.5 lbs. without batteries

INPUT POWER:

6 "AA" size batteries; 12V DC 650mA tip positive

AUDIO OUTPUT:

3.5 Watt Class B

SPEAKER:

10 Watts, 6 Ohms, 2.25"

HEADPHONE JACK:

3.5mm 32 Ohms

FREQUENCY COVERAGE:

FM Band: 87.00 - 108 MHz; AM Band: 520 - 1710 kHz

SENSITIVITY:

FM $\leq 3\mu\text{V}$ (S/N=30dB); AM $\leq 3\text{ mV}$ (S/N=20dB)

SELECTIVITY:

FM $\geq 40\text{dB}$ ($\pm 400\text{kHz}$); AM $\geq 25\text{dB}$ ($\pm 10\text{kHz}$)

ONE SIGNAL SELECTIVITY:

$\geq 30\text{dB}$

POWER USAGE:

FM 4W; AM 3.5W

BATTERY LIFE AT MODERATE VOLUME:

~ 12 Hours (with new alkaline batteries)

Note: Specifications are subject to change without notice.

Model: CC GOZO

ANSI C63.4: 2003

THIS DEVICE COMPLIES WITH PART 15 OF THE FCC RULES.

OPERATION IS SUBJECT TO THE FOLLOWING TWO CONDITIONS.

- 1) THIS DEVICE MAY NOT CAUSE HARMFUL INTERFERENCE, AND
- 2) THIS DEVICE MUST ACCEPT ANY INTERFERENCE RECEIVED, INCLUDING INTERFERENCE THAT MAY CAUSE UNDESIRE OPERATION.

Notice: Any changes or modifications not expressly approved by the party responsible for compliance could void the user's authority to operate the equipment.

Copyright © 2011 by C. Crane Company, Inc., Fortuna, CA 95540

Phone: 1-800-522-8863 Web: ccrane.com

All rights reserved. No part of this booklet may be reproduced, in any form or means whatsoever, without permission in writing from C. Crane Company Inc.












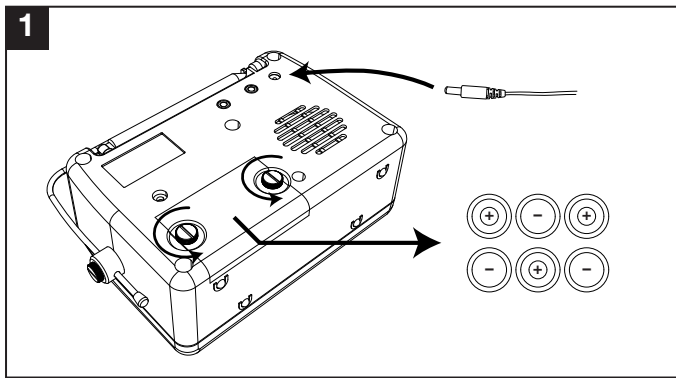
Safety Instructions

READ BEFORE OPERATING EQUIPMENT – SAVE THESE INSTRUCTIONS



To prevent damage to your radio or possible injury to you or others, read these safety precautions and instructions entirely before applying power to your radio. Keep these precautions and instructions where all who use this radio will read them.

- 1) **COMMON CARE** 
Check the radio, AC adapter, batteries and any accessories regularly. Do not use the radio if there is any sign of damage. Only operate in accordance with the instructions in this manual.
- 2) **PROPER BATTERY HANDLING** 
Never mix different type of batteries or use old batteries with new. This may cause the batteries to leak or explode. Dead batteries are prone to leakage. Remove the batteries when no charge remains. Orientate the batteries correctly in the unit according to the diagram. Do not store batteries with metal objects like paper clips. We recommend you remove batteries from the radio if you are not going to use the radio for one month or more.
- 3) **DISCONNECT THE RADIO IN CASE OF MALFUNCTION** 
If you smell or notice smoke, disconnect the AC adapter and remove the batteries immediately taking care to avoid burns. Contact C. Crane Company Inc. or their representative for inspection and service before any future operation. Only use the AC adapter supplied with the unit and replace it if wires become frayed or exposed.
- 4) **KEEP OUT OF REACH OF CHILDREN** 
Use only on a stable, level surface. Dropping the radio can cause damage or injury. Keep the AC Adapter cord in a position so someone cannot trip and cause the radio to fall.
- 5) **KEEP AWAY FROM WATER AND MOISTURE** 
Keep the radio dry. Liquids and moisture can damage the radio. If a liquid leaks into the radio do not operate and seek a qualified service shop. To clean radio, remove the power adapter and use a damp cloth on the exterior only.
- 6) **KEEP AWAY FROM EXTREME TEMPERATURES** 
Extreme temperatures can damage the radio. Do not leave or use the radio where it can be subjected to high or very cold temperatures.
- 7) **DO NOT ATTEMPT TO SERVICE RADIO** 
Refer all service work to a qualified service shop when the radio does not appear to operate normally, exhibits a change in performance or the radio has received damage. Never open the radio as this may expose you to dangerous voltages and this will void all warranties.
- 8) **OUTSIDE ANTENNAS OR CABLES** 
Outside antennas or cables should not be used with this radio unless installed by qualified personnel. 



1 Powering Your CC GOZO Radio

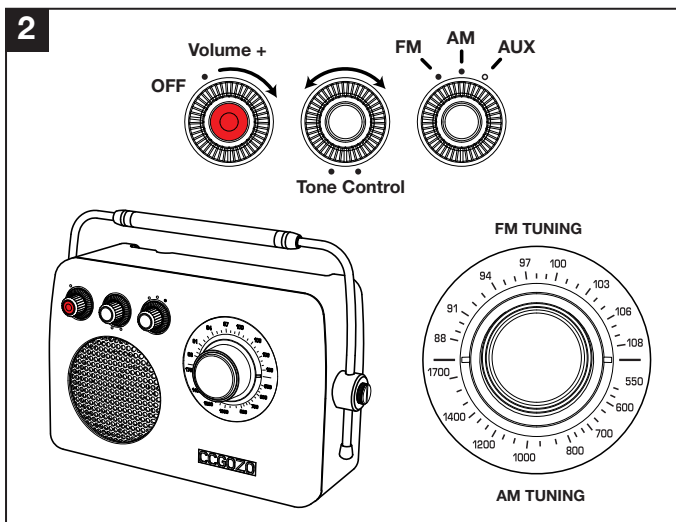
You can power this radio with 6 "AA" size batteries or the included AC Adapter, using household current.

Batteries

- 1) Loosen the two screws on the battery cover until the cover detaches. This takes about two full rotations each.
- 2) Insert "AA" size Alkaline batteries, following the polarity guide (+ - + on the top row and - + - on the bottom row).
- 3) Replace the battery cover and tighten the screws.

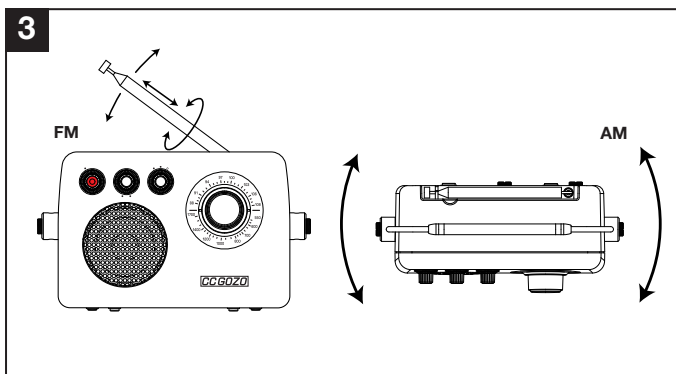
AC Adapter

- 1) Unwrap the included AC Adapter.
- 2) Insert the plug into the Jack labeled "DC 12V".
- 3) Plug into a wall outlet.



2 Playing Your Radio

- 1) Turn your radio "ON" by rotating the red knob clockwise.
- 2) Adjust the volume by continuing to turn the red knob clockwise until the desired level is reached.
- 3) Select AM, FM, or AUX using the knob on the far right.
- 4) Select your desired frequency using the Tuning Dial.
The upper portion of the dial is for FM Tuning and the lower portion is for AM Tuning
- 5) Set the Tone Control knob to your listening preference.

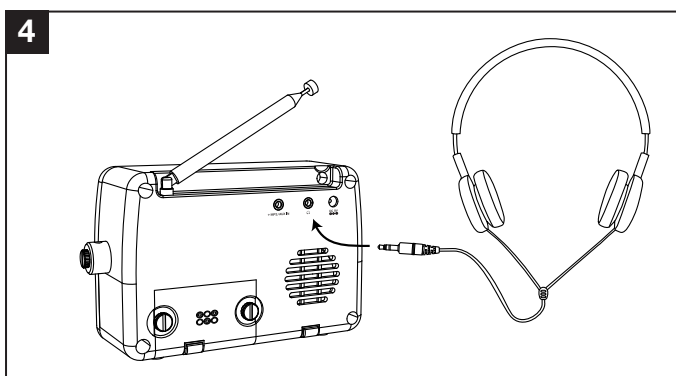


3 Improving Radio Reception

FM — Lift and rotate the FM Whip Antenna. Normally, the best orientation is vertical but each location is different.

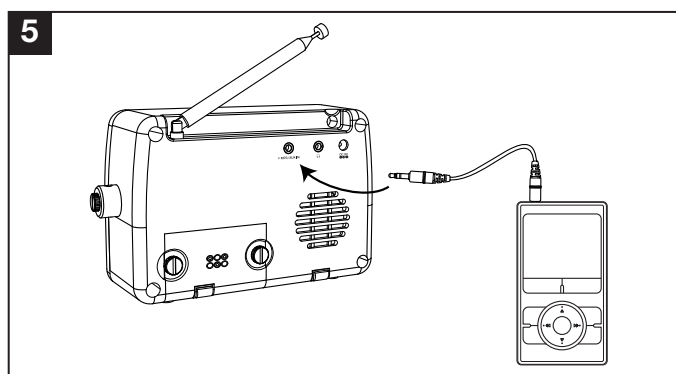
AM — Rotate the entire radio until the reception sounds best.

Note: The FM Whip Antenna does not improve AM reception. The AM Antenna is located inside of the radio. To further improve AM reception, use an external antenna, such as the C. Crane Twin Coil Ferrite® AM Antenna or the Terk AM Advantage Antenna.



4 Quiet Listening

Connect Headphones or Earbuds to the jack on the back of the radio that is labeled . The external speaker will be disabled while this jack is in use.



5 Connecting a Portable Player

Listen to your portable player using the CC GOZO's speaker.

- 1) Using the included Mini Audio Cable, connect one end to your portable player's headphone jack and the opposite end to the "AUX" jack on the back of the CC GOZO.
- 2) Select AUX using the far right knob on the front of the radio (see Figure 2).

Free Manuals Download Website

<http://myh66.com>

<http://usermanuals.us>

<http://www.somanuals.com>

<http://www.4manuals.cc>

<http://www.manual-lib.com>

<http://www.404manual.com>

<http://www.luxmanual.com>

<http://aubethermostatmanual.com>

Golf course search by state

<http://golfingnear.com>

Email search by domain

<http://emailbydomain.com>

Auto manuals search

<http://auto.somanuals.com>

TV manuals search

<http://tv.somanuals.com>