



Straight Finish Nailer

Operating Instructions and Parts Manual

CHN70500



FRANÇAISE: Page 21
ESPAÑOL: Página 41

IN729900AV 6/10
© 2010 Campbell Hausfeld/Scott Fetzer



MAKES IT EASY TO DO IT LIKE A PRO

chpower.com

Download from www.Somanuals.com. All Manuals Search And Download.

Table of Contents

Description	3	Loading / Unloading The Nailer	11
Specifications	3	Loading the Nailer	11
Safety Guidelines	4	Unloading the Nailer	11
Safety Symbols	4	Adjusting the Nail Penetration	11
Important Safety Information	4	Adjusting the Direction of the Exhaust	11
Instructions Pertaining to a Risk of Fire, Electric Shock, or Injury to Persons	4	Installing and Removing No-Mar Tip	11
California Proposition 65	4	Pre-Operation	12
General	4	Operational Modes	12
Work Area	4	Sequential Mode	12
Personal Safety	5	Bump Mode	12
Electrical Safety	5	Safety Lockout Mode	12
Tool Use and Care	5	Work Contact Element (WCE)	12
Service	7	Electronics ON / OFF Switch	13
Air Source	7	Operation	14
Unpacking	7	Nail Placement Laser Pointer	14
Contents	7	Firing the Nailer	14
Additional Items Not Included	7	Low Nail Indicator Lights	14
Assembly	7	Bubble Level	14
Glossary	8	Stud Finder	15
Getting To Know Your Angle Finish Nailer Like A Pro	9	Storage	15
Features	9	Maintenance	15
Anti-Dry Fire	9	Clearing a Jam from the Nailer	15
Tethered No-mar / Stud Finder Tip ..	9	Nailer Repair	15
Low Nail Indicator Lights	9	Replacement Parts	16
Nail Placement Laser Pointer	9	Battery Replacement	16
Bubble Level	9	Assembly Procedure for Seals	16
Set-Up	10	Technical Service	16
Lubrication	10	Fastener Interchange Information ..	16
Minimum Components Required for Hook-up	10	Fasteners	16
Hook-up Instructions For Nailer to Air Supply	10	Troubleshooting Guide	17
Air Hose Requirements	10	Replacement Parts List for Angle Finish Nailer	18 - 19
		Warranty	20

For parts, product and service information

Visit: www.chpower.com

Call : Customer Service at 1-800-543-6400

Address any correspondence to:

Campbell Hausfeld
Attn: Customer Service
100 Production Drive
Harrison, OH 45030 U.S.A.



Straight Finish Nailer



Description

This nailer is designed for decorative trim, molding, window and door casings, furniture trim, door jamb installation, and picture frame assembly. Features include: convenient rear loading magazine which holds up to 110 nails, tethered no-mar tip with stud finder function, quick clear nose, an adjustable depth of drive mechanism, oil free, electronic low nail indicator, nail placement laser pointer, in-line magazine, bubble level, anti-dry fire, conversion trigger with safety lockout, rubber comfort grip, swivel plug, and adjustable exhaust.

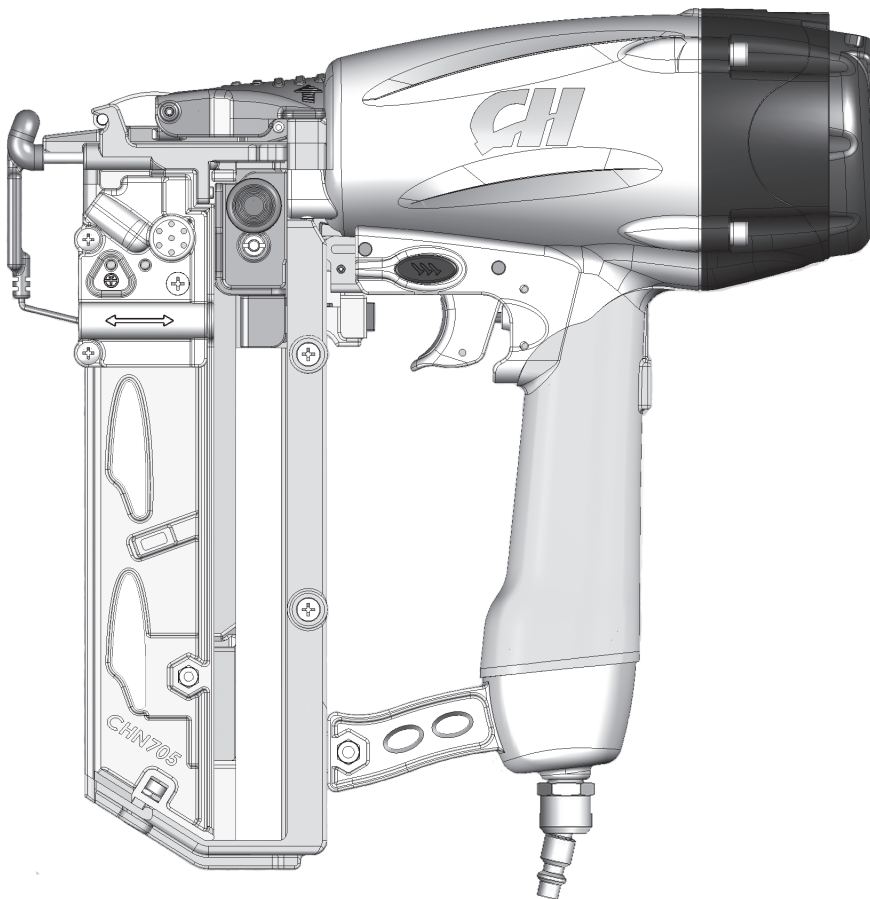


Figure 1 - CHN70500 Angle Finish Nailer

Specifications

Model CHN70500

Requires: 0.7 Avg SCFM using 10 fasteners per minute at 90 psi

Air Inlet: 1/4 inch NPT

Fastener Size Range:
1 inch to 2-1/2 inch 16g
brad finish nails

Magazine Capacity:
110 fasteners per load

Weight: 5 lbs., 5 oz.

Length: 13 inches

Height: 12 inches

Maximum Pressure:
120 psi

Pressure Range:
70 psi to 120 psi

Batteries: Two (2) AAA

Laser: Class IIIA

Wavelength:
640 nm - 660 nm

Radiant Power:
1.53 < 5 mW

Locate model number and date code on magazine and / or tool body. Record below:

Model #: _____

Date Code: _____

Retain these numbers for future reference.

Safety Guidelines

This manual contains information that is very important to know and understand. This information is provided for SAFETY and to PREVENT EQUIPMENT PROBLEMS. To help recognize this information, observe the following symbols.

⚠ DANGER *Danger indicates an imminently hazardous situation which, if not avoided, WILL result in death or serious injury.*

⚠ WARNING *Warning indicates a potentially hazardous situation which, if not avoided, COULD result in death or serious injury.*

⚠ CAUTION *Caution indicates a potentially hazardous situation which, if not avoided, MAY result in minor or moderate injury.*

NOTICE *Notice indicates important information, that if not followed, may cause damage to equipment.*

NOTE: Information that requires special attention.

Safety Symbols

The following Safety Symbols appear throughout this manual to alert you to important safety hazards and precautions.



Wear Eye and Mask Protection



Read Manual First



Risk of Personal Injury



Risk of Falling



Wear Eye Protection



Wear Hearing Protection



Risk of Fire



Risk of Explosion



Risk of Shock

Important Safety Information

INSTRUCTIONS PERTAINING TO A RISK OF FIRE, ELECTRIC SHOCK, OR INJURY TO PERSONS

This manual contains important safety, operational and maintenance information. If you have any questions, please call 1-800-543-6400 for customer assistance.

⚠ WARNING *When using tools, basic precautions should always be followed, including the following:*

CALIFORNIA PROPOSITION 65

⚠ WARNING *This product or its power cord may contain chemicals known to the State of California to cause cancer and birth defects or other reproductive harm. Wash hands after handling.*

⚠ WARNING *You can create dust when you cut, sand, drill or grind materials such as wood, paint, metal, concrete, cement, or other masonry. This dust often contains chemicals known to cause cancer, birth defects, or other reproductive harm. Wear protective gear.*



GENERAL

- To reduce the risks of electric shock, fire, and injury to persons, read all the instructions before using the tool. Failure to follow warnings, dangers, and cautions could result in DEATH or SERIOUS INJURY.
- Be thoroughly familiar with the controls and the proper use of the equipment. Follow all instructions. Contact your Campbell Hausfeld representative if you have any questions.
- Only persons well acquainted with these rules of safe operation should be allowed to use the unit.



⚠ WARNING *Do not operate or allow anyone else to operate the nailer if any warnings or warning labels are not legible. Warnings or warning labels are located on the nailer magazine and body.*

⚠ WARNING *Always assume the nailer contains nails. Respect the tool as a working implement; no horseplay. Always keep others at a safe distance from the work area in case of accidental discharge of nails. Do not point the tool toward yourself or anyone whether it contains fasteners or not. Accidental triggering of the nailer could result in death or serious personal injury.*

⚠ CAUTION *Do not make any modifications to the tool without first obtaining written approval from Campbell Hausfeld. Do not use the nailer if any shields or guards are removed or altered. Do not use the nailer as a hammer. Personal injury or tool damage may occur.*

NOTICE *Clean and check all air supply hoses and fittings before connecting the nailer to an air supply. Replace any damaged or worn hoses or fittings. Tool performance or durability may be reduced.*

WORK AREA

- Keep the work area clean and well lighted. Cluttered benches and dark areas increase the risks of electric shock, fire, and injury to persons.
- Do not operate the tool in explosive atmospheres, such as in the presence of flammable liquids, gases, or dust. The tool is able to create sparks resulting in the ignition of the dust or fumes.
- Keep bystanders, children, and visitors away while operating the tool. Distractions are able to result in the loss of control of the tool.



Important Safety Information (Continued)

PERSONAL SAFETY

- a. **Stay alert. Watch what you are doing and use common sense when operating the tool. Do not use the tool while tired or under the influence of drugs, alcohol, or medication.** A moment of inattention while operating the tool increases the risk of injury to persons.
- b. **Dress properly. Do not wear loose clothing or jewelry. Contain long hair. Keep hair, clothing, and gloves away from moving parts.** Loose clothes, jewelry, or long hair increases the risk of injury to persons as a result of being caught in moving parts.
- c. **Do not overreach. Keep proper footing and balance at all times.** Proper footing and balance enables better control of the tool in unexpected situations.
- d. **Use safety equipment.** A dust mask, non-skid safety shoes and a hard hat must be used for the applicable conditions.



WARNING Ensuring that the tool is used only when the operator and all other personnel in the work area are wearing ANSI Z87 eye protection equipment, and when required, other appropriate protection equipment such as head, hearing and foot protection equipment. Serious eye or permanent hearing loss could result.



e. **Always wear hearing protection when using the tool.** Prolonged exposure to high intensity noise is able to cause hearing loss.



f. **Do not attach the hose or tool to your body.** Attach the hose to the structure to reduce the risk of loss of balance if the hose shifts.

g. **Always assume that the tool contains fasteners.** Do not point the tool toward yourself or anyone whether it contains fasteners or not.



WARNING Do not drop or throw the tool. Dropping or throwing the tool can result in damage that will make the tool unusable or unsafe. If the tool has been dropped or thrown, examine the tool closely for bent, cracked or broken parts and air leaks. STOP and repair before using or serious injury could occur.

CAUTION Avoid long extended periods of work with the nailer. Stop using the nailer if you feel pain in hands or arms.

CAUTION Hold tool by insulated gripping surface when performing an operation where the tool or fastener may contact hidden wiring. Contacting a "live" wire will make exposed metal parts of the tool "live" and shock the operator.

DANGER This is a Class IIIA Laser Product that laser radiation

- h. **Never look directly into the laser beam or its direct reflection.** Lasers are harmful to the eyes.
- i. **Do not set up the tool at eye level or operate the tool on or near a reflective surface.** The laser beam could be projected into your own or someone else's eyes.

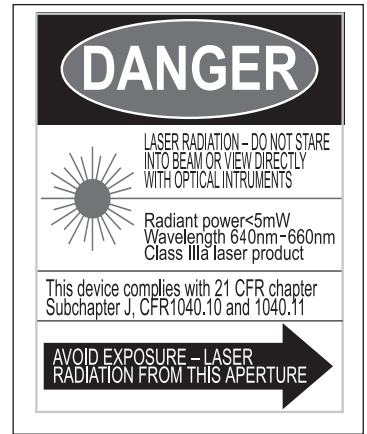


Figure 2

WARNING Never place hands or any other body parts in the nail discharge area of the nailer. The nailer might eject a fastener and could result in death or serious personal injury.



ELECTRICAL SAFETY

WARNING Replace batteries only with same size batteries. Do not mix old and new batteries. Using wrong size batteries can create a risk of fire or injury.



WARNING The front end of the tool may be made "live" if the tool comes into contact with live wiring in the wall. TO PREVENT ACCIDENTAL ELECTRICAL SHOCK, HOLD TOOL ONLY BY THE SOFT GRIP HANDLE.



TOOL USE AND CARE

a. **Do not force the tool.** Use the correct tool for the application. The correct tool will do the job better and safer at the rate for which the tool is designed.

WARNING Disconnect the tool from the air source before making adjustments, doing tool maintenance, clearing jams, touching the safety yoke, leaving work area, loading, or unloading the tool. Such precautionary measures reduce the risk of injury to persons.

b. **Store the tool when it is idle out of reach of children and other untrained persons.** A tool is dangerous in the hands of untrained users.

c. **Maintain the tool with care.** A properly maintained tool reduces the risk of problems and is easier to control.

d. **Use only those fasteners listed in the "Fastener Interchange Information" section on page 16 of this manual.** Fasteners not identified for use with this tool by the tool manufacturer are able to result in a risk of injury to persons or tool damage when used in this tool.

Important Safety Information (Continued)

- e. Always work in a well-ventilated area. Wear OSHA-approved dust mask.

▲ WARNING Always disconnect the tool from the power source when unattended, performing any maintenance or repair, clearing a jam, loading, unloading, or moving the tool to a new location.

▲ WARNING Always fit tool with a fitting or hose coupling on or near the tool in such a manner that all compressed air in the tool is discharged at the time the fitting or hose coupling is disconnected. Do not use a check valve or any other fitting which allows air to remain in the nailer. Death or serious personal injury could occur.

▲ WARNING Never carry the nailer by the air hose or pull the hose to move the nailer or a compressor. Keep hoses away from heat, oil and sharp edges. Replace any hose that is damaged, weak or worn. Personal injury or tool damage could occur.

▲ WARNING Do not drive a nail on top of other nails. The nail could glance and cause death or a serious puncture wound.

▲ WARNING Do not use tool if laser guide power switch does not turn it on or off. Any tool that cannot be controlled with the switch is dangerous and must be repaired.

- f. Ensure the laser guide power switch is in the off position before inserting batteries. Inserting the batteries into the tool with the switch on invites accidents.

- g. Turn laser guide Off before making any adjustments, changing accessories, or storing. Such preventive safety measures reduce the risk of accidents.

▲ WARNING When batteries are not in use, keep them away from metal objects such as paper clips, coins, keys, nails, or screws that can make a connection from one terminal to another. Shorting the battery terminals together may cause sparks, burns, a fire, or damage to the batteries.

- h. This tool must NOT be modified or used for any application other than that for which it was designed.

- i. Under abusive conditions, liquid may be ejected from the batteries. Avoid contact. If contact accidentally occurs, flush with water. If liquid contacts eyes, seek medical help. Liquid ejected from the batteries may cause irritation or burns.

▲ CAUTION Use of controls or adjustments or performance of procedures other than those specified herein may result in hazardous radiation exposure.

- j. The use of optical instruments with this product will increase eye hazard.

- k. Turn off laser beam when it is not in use or when tool will be left unattended.

- l. Do not remove any labels from the tool.

- m. The product will emit a laser beam from the aperture. The users of the product shall be limited to professional operators. In normal operation and maintenance conditions, the operators shall wear protective eyewear to prevent injury to the eyes.

NOTICE

Do not expose tool to extreme heat.

- n. Do not store in locations where the temperature may reach or exceed 120°F (49°C), such as a metal tool shed, or a car in the summer. This can lead to deterioration of the battery.

- o. Do not disassemble tool.

- p. Remove batteries when storing tool for an extended time.

NOTE: Battery temperature will increase during and shortly after use.

Only use new Alkaline replacement batteries [two (2) AAA required]. Do not mix old and new batteries.

Battery shelf life - the included batteries may be in a slightly depleted state or dead depending on how long the product has awaited purchase. Do not return product to store for depleted batteries; please call Campbell Hausfeld at 1-800-543-6400 for assistance.

- q. Do not modify or alter the nailer or any nailer parts. Do not use the nailer if any shields or guards are removed or altered. Do not use the nailer as a hammer. Personal injury or tool damage may occur.

▲ DANGER Do not use any type of flammable gases or oxygen as a power source for the nailer. Use filtered, lubricated, regulated compressed air only. Use of a compressed gas instead of compressed air may cause the nailer to explode which will cause death or serious personal injury.

▲ DANGER Never use gasoline or other flammable liquids to clean the nailer. Never use the nailer in the presence of flammable liquids or gases. Vapors could ignite by a spark and cause an explosion which will result in death or serious personal injury.

- r. Avoid using the nailer when the magazine is empty. Accelerated wear on the nailer may occur.

▲ DANGER Do not modify or disable the Work Contact Element (WCE). Do not tie or tape the WCE or trigger in a depressed position. Death or serious personal injury could result.

▲ CAUTION Always check that the Work Contact Element (WCE) is operating properly. A nail could accidentally be driven if the WCE is not working properly. Personal injury may occur.

▲ DANGER Do not touch the trigger unless driving nails. Never attach air line to nailer or carry nailer while touching the trigger. The tool could eject a fastener which will result in death or serious personal injury.

Important Safety Information (Continued)

SERVICE

- Tool service must be performed only by qualified repair personnel.
- When servicing a tool, use only identical replacement parts. Use only authorized parts.
- Use only the lubricants supplied with the tool or specified by the manufacturer.

▲ CAUTION *Disconnect air supply and release tension from the pusher before attempting to clear jams because fasteners can be ejected from the front of the nailer. Personal injury may occur.*

AIR SOURCE

- Never connect to an air source that is capable of exceeding 200 psi. Over pressurizing the tool is able to result in bursting, abnormal operation, breakage of the tool or serious injury to persons. Use only clean, dry, regulated compressed air at the rated pressure or within the rated pressure range as marked on the tool. Always verify prior to using the tool that the air source has been adjusted to the rated air pressure or within the rated air-pressure range.
- Never use oxygen, carbon dioxide, combustible gases or any bottled gas as an air source for the tool. Such gases are capable of explosion and serious injury to persons.

NOTICE *Air compressors providing air to the nailer should follow the requirements established by the American National Standards Institute Standard B19.3-1991; Safety Standard for Compressors for Process Industries. Contact your air compressor manufacturer for information.*

**SAVE THESE INSTRUCTIONS
DO NOT DISCARD**

The DANGER, WARNING, CAUTION, and NOTICE notifications and instructions in this manual cannot cover all possible conditions and situations that may occur. It must be understood by the operator that common sense and caution are factors which cannot be built into this product, but must be supplied by the operator.

Unpacking

After unpacking the unit, inspect carefully for any damage that may have occurred during transit. Check for loose, missing or damaged parts. Make sure to tighten fittings, bolts, etc., before putting unit into service. Check to be sure all supplied accessories are enclosed with the unit. In case of questions, damaged or missing parts, please call 1-800-543-6400 for customer assistance.

CONTENTS

- ◆ Finish Nailer
- ◆ 2-1/2 inch 16 g Brad Finish Nails
- ◆ Batteries
- ◆ Wrenches
- ◆ Operating Instructions
- ◆ Warranty Card
- ◆ Carry Bag

ADDITIONAL ITEMS NOT INCLUDED

- ◆ Compressor (must be able to maintain a minimum of 70 psi when the nailer is being used)
- ◆ Air hose
- ◆ Small tool for clearing jams
- ◆ Threadlock glue
- ◆ ANSI Z87 eye protection
- ◆ Hearing protection and other personal protective equipment as required

Assembly

This tool comes fully assembled.

Glossary

Become familiar with these terms before operating the unit.

ACTUATE (TOOL) — To cause movement to the tool's component(s) intended to drive the fastener.

ACTUATION SYSTEM — The use of a trigger, work contact element (WCE) and/or other operating control, separately or in combination or sequence, to actuate the tool.

AIR INLET — The opening in which the compressed air supply is connected, usually by means of a threaded fitting.

FASTENERS — This tool uses 1 inch to 2-1/2 inch 16g brad finish nails.

MAGAZINE — The part of the nailer that holds the Fasteners.

MAXIMUM AIR PRESSURE — The maximum allowable pressure of compressed air, as specified by the manufacture, for operating the tool.

NO-MAR / STUD FINDER TIP — The no-mar / stud finder tip is designed to eliminate marks caused by the wire-form Work Contact Element (WCE). The no-mar tip may be removed and tethered to the tool if not required (See INSTALLING AND REMOVING NO-MAR / Stud finder TIP) or when a slightly deeper countersink is preferred. Simply slide the no-mar off the WCE and attach to the storage post on the magazine. The tip also functions as a convenient stud finder. To utilize the no-mar / stud finder tip, simply slide it over the tools WCE (see Figure 5).

psi (POUNDS PER SQUARE INCH) — Measurement of the pressure exerted by the force of the air. The actual psi output is measured by a pressure gauge on the compressor.

QUICK COUPLER — A quick coupler is designed to work in combination with a quick plug to quickly and easily join a pneumatic tool to an air hose (see Figure 3).

QUICK PLUG — A quick plug is designed to work in combination with a quick coupler to quickly and easily join a pneumatic tool to an air hose (see Figure 4).

REGULATOR — A device used to control air pressure to an air operated tool

THREAD LOCK GLUE — A locking glue that is applied to the screw threads before installing. Prevents the screws from working loose during tool operation.

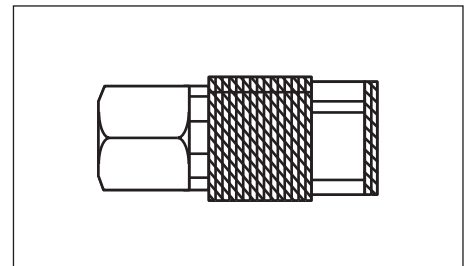


Figure 3 - Quick Coupler

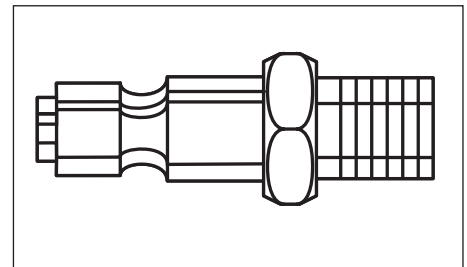


Figure 4 - Quick Plug

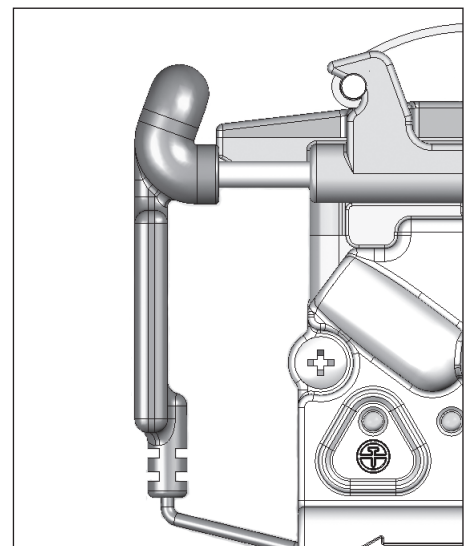
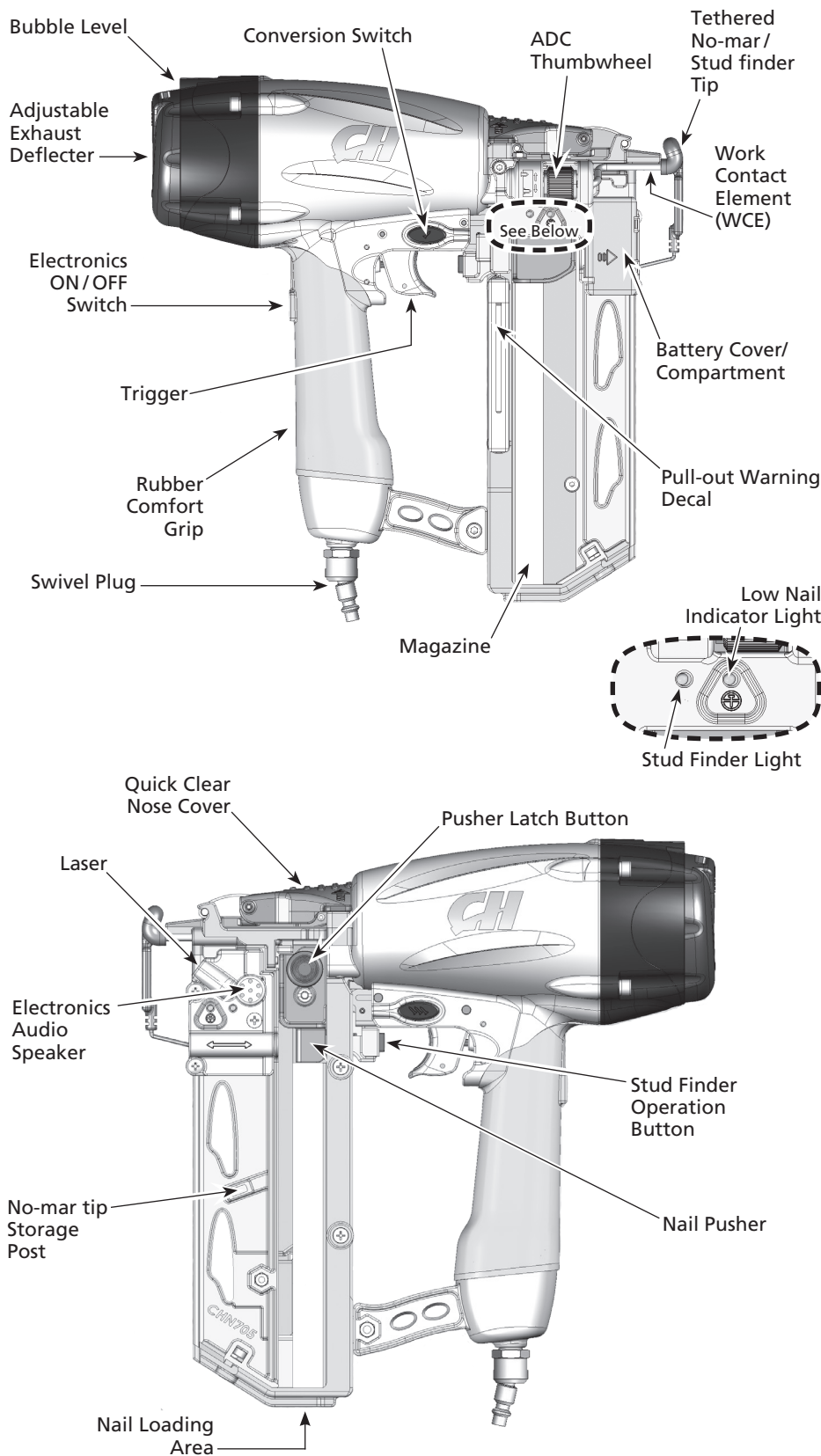


Figure 5 - No-mar / Stud finder Tip

Getting To Know Your Straight Finish Nailer Like A Pro



Features

ANTI-DRY FIRE

This tool is equipped with an Anti-Dry Fire feature. This prevents the Work Contact Element (WCE) from being pushed in when only a few nails remain. Simply load new nail clip behind remaining nails to continue shooting.

TETHERED NO-MAR / STUD FINDER TIP

The tool is fitted with a no-mar tip which also acts as a convenient stud finder. To utilize the no-mar tip, simply slide it over the tools WCE.

LOW NAIL INDICATOR LIGHTS

The tool is equipped with lights on either side of the tool near the nose. When the nail count becomes low, the lights will turn yellow. When the nail count is nearly out, the Anti-Dry Fire feature will engage and the lights will turn red. (See Loading the Nailer section).

NAIL PLACEMENT LASER POINTER

The tool is equipped with a laser mounted near the nose. This can be seen through the wide slots in the WCE and / or no-mar tip. The laser will indicate exact placement of the fastener.

⚠ DANGER *This is a Class IIIA Laser Product that emits laser radiation. Do not stare into beam or view directly with optical instruments.*

BUBBLE LEVEL

The tool is equipped with a bubble level located on the head cap. This will assist in aligning the tool for level driving of the fastener. The bubble level will assist in vertical and horizontal positioning of the tool.

Figure 6 - Components of the Straight Finish Nailer

Set-Up

LUBRICATION

This nailer requires **NO** lubrication for normal operation. However, lubrication will **NOT** harm the tool.

NOTICE

The work surface can become damaged by excessive lubrication.

MINIMUM COMPONENTS REQUIRED FOR HOOK-UP

AIR COMPRESSOR: The air compressor must be able to maintain a minimum of 70 psi when the nailer is being used. An inadequate air supply can cause a loss of power and inconsistent driving (see Chart 1).

PRESSURE REGULATOR: A pressure regulator is required to control the operating pressure of the nailer between 70 psi and 120 psi.

AIR SUPPLY HOSE: ALWAYS use air supply hoses with a minimum working pressure rating equal to or greater than the pressure from the power source, or 150 psi, whichever is greater. Use 1/4 inch air hose for runs up to 50 feet. Use 3/8 inch air hoses for 50 ft. run or longer (see Figure 7 and Chart 2).

HOOK-UP INSTRUCTIONS FOR NAILER TO AIR SUPPLY

Figure 8 shows the recommended hookup for the nailer.

NOTE: For better performance, install a 3/8 inch quick plug (1/4 inch NPT threads) with an inside diameter of 0.315 inch (8 mm) on the nailer and a 3/8 inch quick coupler on the air hose.

1. With ON/OFF switch in OFF position, plug compressor into electrical outlet.
2. Close pressure regulator by turning all the way to the left. Turn compressor ON and let it pump all the way up to automatic shut-off pressure.
3. Attach air hose to regulator outlet. Adjust pressure regulator by turning to the right so that outlet pressure is between 70 psi to 120 psi.
4. Load fasteners into nailer (See Loading/Unloading the Nailer section on page 11).
5. Point the nailer in a safe direction while attaching to air hose.
6. Nailer is ready for use. You may need to adjust outlet pressure to achieve proper fastener depth.


	70 psi Minimum
	120 psi Maximum

Chart 1

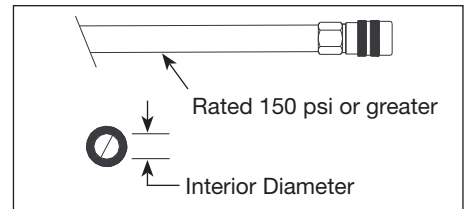


Figure 7 - Air Hose Requirements

AIR HOSE REQUIREMENTS	
DIAMETER	LENGTH OF RUN
1/4 inch	Less than 50 feet
3/8 inch	Greater than or equal to 50 feet

Chart 2

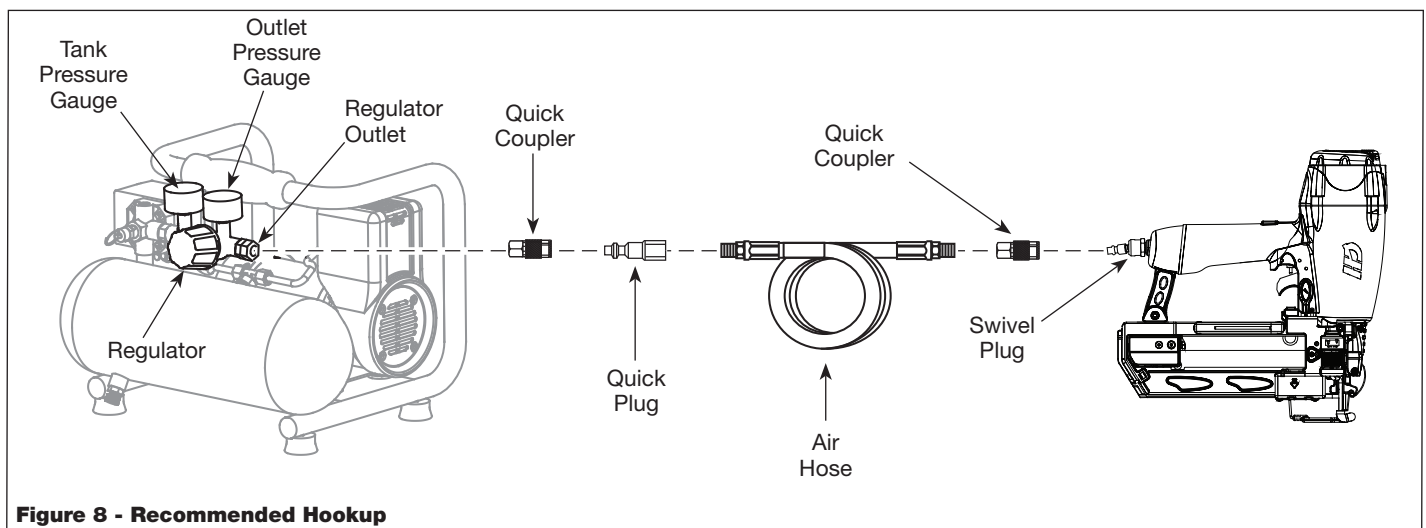


Figure 8 - Recommended Hookup

Set-Up (Continued)

LOADING / UNLOADING THE NAILER

Always **disconnect** the tool from the air supply **before** loading / unloading fasteners. Choose which length of fastener you want to use for you project. Additional fasteners can be found at major home centers.

Loading the Tool

1. Pull pusher back until it latches.
2. Insert nail clips into rear loading slot.
3. Press pusher latch button to release the pusher and allow it to engage the nail clip.

Unloading the Tool

1. Pull pusher back until it latches.
2. Dump the nails out the loading slot.

ADJUSTING THE NAIL PENETRATION

The CHN70500 is equipped with an adjustable depth of drive feature, ADC thumbwheel (See Figure 11). This allows the user to determine how deep a fastener will be driven into the work surface.

1. Adjust the operating pressure to a pressure which will consistently drive the fasteners. Do not exceed the maximum operating pressure of the nailer of 120 psi.
2. To increase depth of drive, first pull up on the upper WCE, then rotate thumbwheel to the left (counter-clockwise). To decrease depth of drive, rotate thumbwheel to the right (clockwise). Then release upper WCE into detents which hold the thumbwheel in place after each adjustment.
3. Make sure that the trigger and work contact element (WCE) move freely up and down without binding or sticking after each adjustment.

ADJUSTING THE DIRECTION OF THE EXHAUST

The CHN70500 is equipped with an adjustable direction exhaust deflector. This is intended to allow the user to change the direction of the exhaust. Simply twist the deflector to any direction desired.

INSTALLING AND REMOVING NO-MAR / STUD FINDER TIP

1. Disconnect air supply from nailer.
2. Remove tip from retainer storage location.
3. Carefully place no-mar tip over the end of work contact element.
4. Check that the WCE and trigger move up and down freely without sticking or binding.

NOTE: To remove the tip, reverse the procedure listed above.

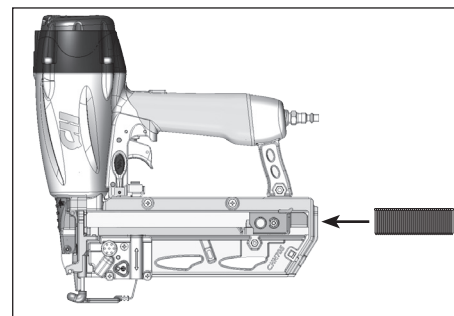


Figure 9 - Loading the Nailer

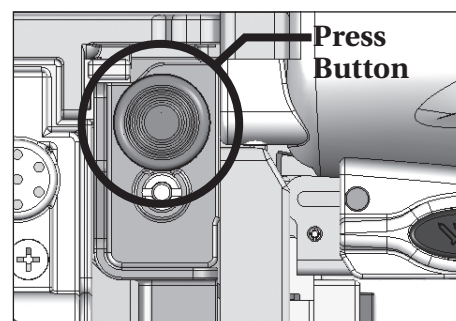


Figure 10 - Nail Bypass Button

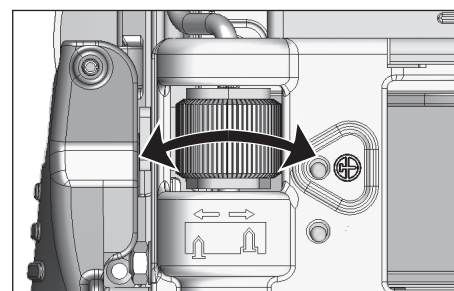


Figure 11 - Nail Depth Adjust

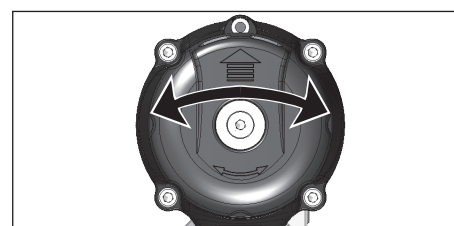


Figure 12 - Exhaust Adjustment

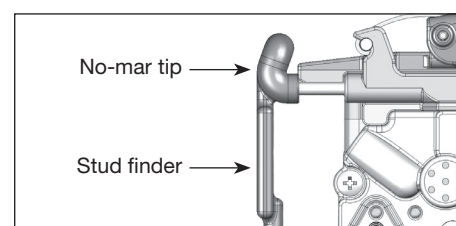


Figure 13 - No-mar / Stud finder Tip installed

Pre-Operation

OPERATIONAL MODES

▲ WARNING Always know the operational mode of the nailer before using. Failure to know the operational mode could result in death or serious injury.

This nailer may be operated in the “Sequential” mode (as supplied by the manufacturer) or “Bump” mode. the tool may be converted from one mode to the other by firmly pressing the conversion switch from one position to the other.

Press the conversion switch to the “↗” side to activate Sequential Mode.

Press the conversion switch to the “↕” side to activate Bump Mode.

Press either side to the middle position to activate the Safety Lockout Mode.

Sequential Mode (See Figure 14)

This method is recommended when precise nail placement is required. Operation in this mode requires trigger to be pulled each time a nail is driven. Nailer can be actuated by depressing the Work Contact Element (WCE) against work surface followed by pulling the trigger.

The trigger must be released after each fastener is driven to allow tool to reset.

Since the tool can only be actuated by first removing the finger from the trigger, this is considered to be a more restrictive mode of operation, suitable for less experienced users.

Bump Mode (See Figure 15)

This method is recommended when less precise nail placement is required. Operation in this mode requires trigger to be depressed with nailer off of the work surface. Then, the nose of the nailer is tapped against the work surface causing a nail to be driven.

Each time the Work Contact Element is depressed, a nail is driven into the work surface. Extreme care should be taken because a nail will be driven when the WCE is pressed against any surface.

Since the tool can be actuated without removing the finger from the trigger, this is considered to be a less restrictive mode, suitable for more experienced users.

Safety Lockout Mode

When the conversion switch is pressed into the middle position, the trigger is in Safety Lockout Mode. In this mode, no combination of WCE and trigger activations will allow the tool to cycle or fire. If tool does operate while in Safety Lockout Mode, contact Campbell Hausfeld for technical support, and do not use the nailer until repaired.

WORK CONTACT ELEMENT (WCE)

▲ CAUTION Check the operation of the Work Contact Element (WCE) trip mechanism before each use. The WCE must move freely without binding through its entire travel distance. The WCE spring must return the WCE to its fully extended position after being depressed. Do not operate the nailer if the WCE trip mechanism is not operating properly. Personal injury may occur.

1. Disconnect the air supply from the nailer.
2. Make sure the trigger and Work Contact Element (WCE) move freely up and down without sticking or binding.

NOTE: If the tool is not loaded with nails, the anti-dry fire feature will not allow the WCE to be depressed.

3. Reconnect air supply to the nailer.

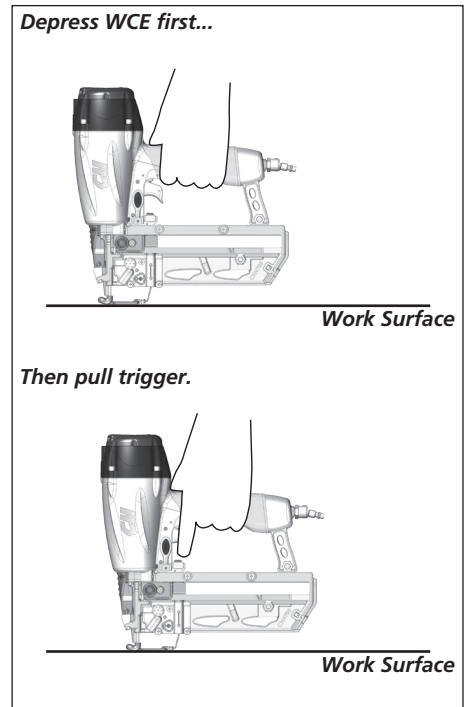


Figure 14 - Sequential Mode

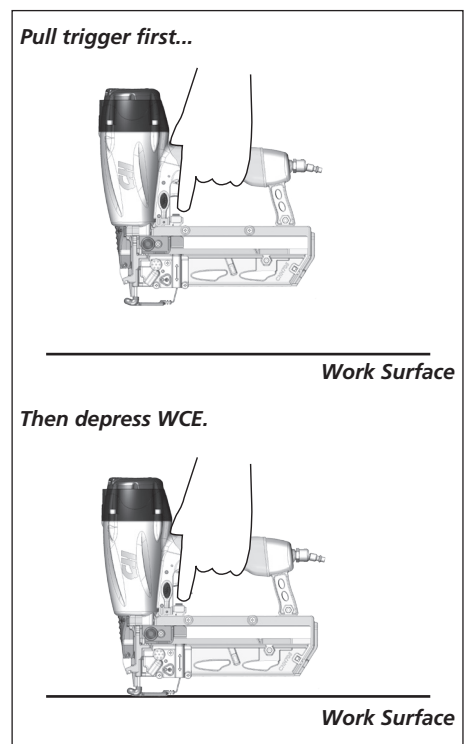


Figure 15 - Bump Mode

Pre-Operation (Continued)

4. Use a scrap piece of wood as a work surface.
5. Depress the WCE against the work surface without pulling the trigger (See Figure 16). The nailer **MUST NOT OPERATE**. Do not use the tool if it operates without pulling the trigger. Personal injury may result.
6. Remove nailer from work surface. The WCE must return to its original down position. Pull the trigger (See Figure 17). The nailer **MUST NOT OPERATE**. Do not use the tool if it operates while lifted from the work surface. Personal injury may result.
7. Pull the trigger and depress the WCE against the work surface. The nailer **MUST OPERATE** when in bump mode. The nailer **MUST NOT OPERATE** if in sequential mode.
8. Depress the WCE against work surface. Pull the trigger. The nailer **MUST OPERATE**.
9. Switch nailer into the other Mode as described in Operational Modes section and repeat.

IMPORTANT: Repeat steps one through nine with tool in Safety Lockout Mode. Tool **SHOULD NOT** operate at any step. If tool does operate while in Safety Lockout Mode, contact Campbell Hausfeld for technical support.

ELECTRONICS ON / OFF SWITCH

Under the top of the rubber grip is an ON/ OFF switch for the tool's electronic functions, low nail indicator LEDs, and nail placement laser (See Figure 18).

To utilize the function, grip the tool by the handle firmly, depressing the switch in the process. Power is maintained for 5 - 10 seconds after releasing the switch to provide continuous, uninterrupted function during grip adjustments made by the user that may temporarily release the switch.

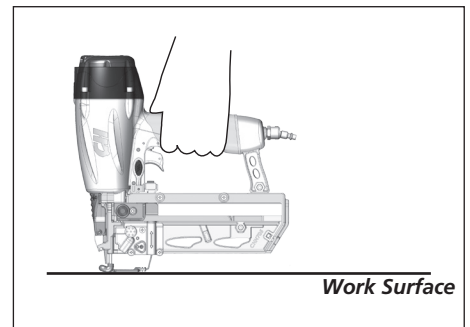


Figure 16

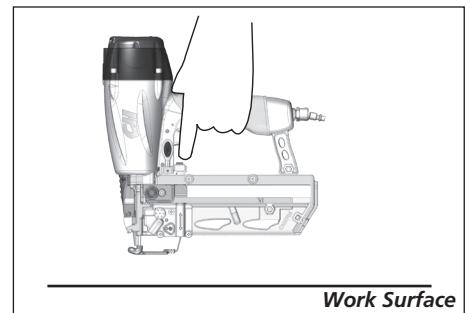


Figure 17

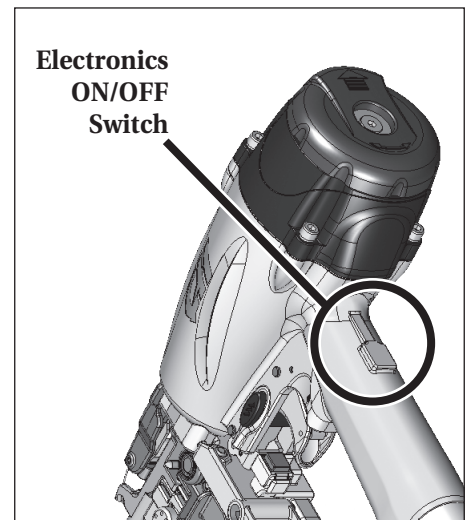


Figure 18 - Electronics ON / OFF Switch

Operation

NAIL PLACEMENT LASER POINTER

The tool is equipped with a laser mounted near the nose. Turn the electronics switch to the **ON** position. When the Work Contact Element (WCE) touches the workpiece and slightly moves, the laser will shine on the spot where the nail will be driven. This can be seen through the wide slots in the WCE and / or no-mar tip. When the laser is in the desired location, simply fully press in the WCE and fire the tool.

⚠ DANGER *This is a Class IIIA Laser Product that emits laser radiation. Do not stare into beam or view directly with optical instruments.*

FIRING THE NAILER

1. Load fasteners (see Loading / Unloading the Nailer section).
2. Connect the air supply to the nailer.

⚠ WARNING *An improperly functioning tool must not be used. Do not actuate the tool unless the tool is placed firmly against the work piece.*

In Sequential Mode

Press the conversion switch to the “” side to activate Sequential Mode.

1. Slightly depress Work Contact element (WCE) against work surface.
2. Laser pointer will shine on spot where nail will be driven when the WCE slightly touches the work surface.
3. Fully depress WCE.
4. Pull trigger. Fastener will be driven into workpiece.

In Bump Mode

Press the conversion switch to the “” side to activate Bump Mode.

1. Remove tool from work surface. **DO NOT** point tool at yourself or others.
2. Pull trigger.
3. Firmly depress Work Contact element (WCE) against work surface. Tool will cycle.
4. Remove tool from work surface. Move tool to the next area where fastener is to be driven and repeat.

LOW NAIL INDICATOR LIGHTS (See Figure 20)

The tool is equipped with lights on either side of the tool near the nose. Turn the electronics switch to the **ON** position. When the nail count becomes 10 or so nails remaining in the magazine, the lights will come on yellow. You may reload at that time (See Loading the Nailer section). When the nail count becomes 5 or so remaining nails, the Anti-Dry Fire will engage and the lights will turn red. You **MUST** reload at that time.

BUBBLE LEVEL (See Figure 21)

The tool is equipped with a bubble level located on the head cap. When the gun is in a horizontal driving orientation, a level condition can easily be observed and controlled by simply aligning the tool in such a manner whereas the bubble is between the center markings on the length of the level. The same is true when in a vertically downward driving orientation by aligning the tool such that the bubble is centered in the circular marking at the top of the level.

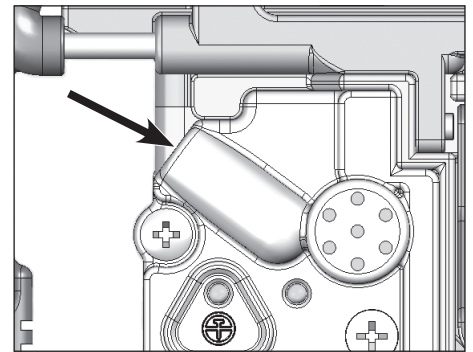


Figure 19 - Laser Pointer

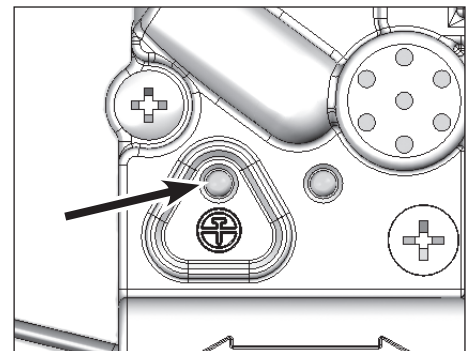


Figure 20 - Low Nail Indicator Lights

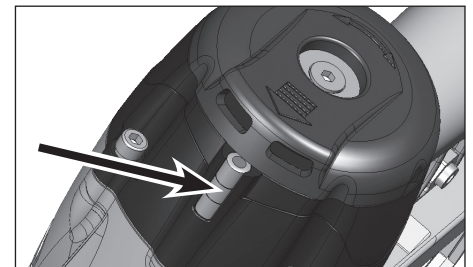


Figure 21 - Bubble Level

Operation (Continued)

STUD FINDER

To find studs in walls, the no-mar tip also acts as a convenient stud finder with operation similar to most common stud finders.

1. Disconnect tool from air supply.
2. If not already installed, put the no-mar tip on the Work Contact Element (WCE).
3. Load tool with fasteners (see Loading the Tool section).
4. Reconnect tool to air supply. Turn the electronics switch to the "ON" position.
5. Barely press the tip against the wall where no stud is nearby. Press the stud finder operation button and hold (See Figure 22). Stud finder "plate" should be flat against the wall.
6. The stud finder should beep and the stud finder indicator light will turn red for a second while it calibrates. Once calibrated, the light should turn green. Do **NOT** move the tool while the stud finder calibrates (See Figure 23).
7. When the light turns green, begin dragging the depressed WCE over the wall "searching" for studs. When moved near the edge of a stud, the stud finder light will begin to quickly flash a red light and the begin beeping quickly (See Figure 23).
8. When moved directly over a stud, the stud finder will emit a constant red light and beep (See Figure 23).

NOTE: If tip is positioned directly over a stud during calibration, it will not calibrate correctly. In this case, select another location on the wall to calibrate tool before using.

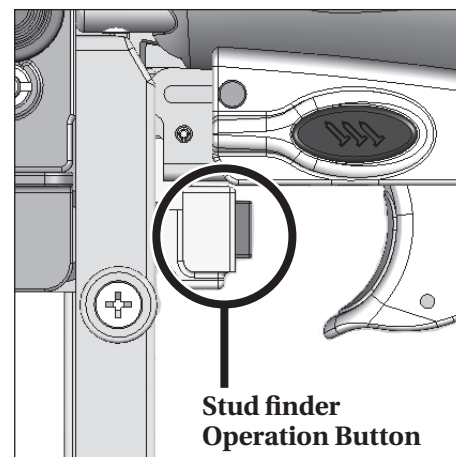


Figure 22

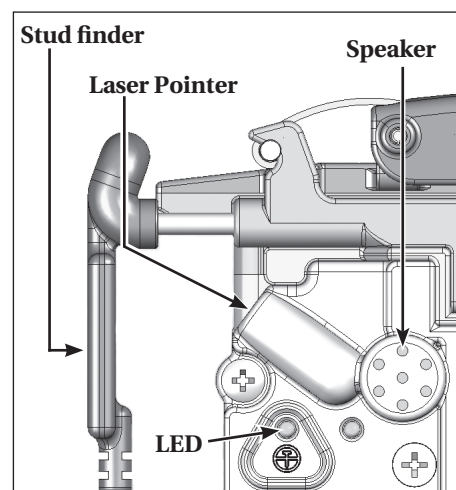


Figure 23

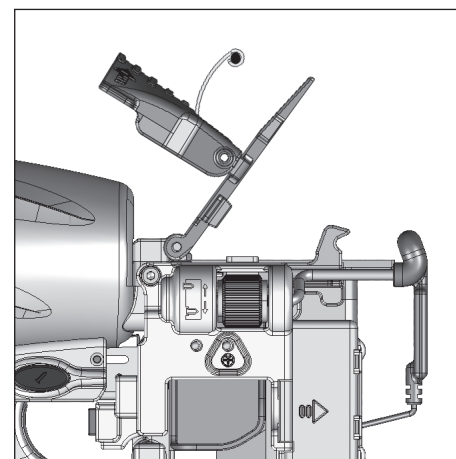


Figure 24 - Clearing a jam

Storage

The nailer should be stored in a cool dry location with the batteries removed for long-term storage.

Maintenance

CLEARING A JAM FROM THE NAILER (See Figure 24)

1. Disconnect nailer from air supply.
2. Remove all nails from the magazine (see Loading/ Unloading). Failure to do so may cause the nails to eject from the front of the nailer.
3. Undo latch by pulling cover in the direction shown.
4. The door can now be rotated, exposing the jammed fastener.
5. Remove the jammed fastener, using pliers or a screwdriver if required.
6. Rotate door back into the closed position.
7. Extend the latch and place over the hooks on the nose.
8. Close the latch by pushing the latch up and in until the latch snaps into place.
9. Load with nails.
10. Make sure the trigger and work contact element (WCE) move freely up and down without sticking or binding.

NAILER REPAIR

Only qualified personnel should repair the tool and they should use genuine Campbell Hausfeld replacement parts and accessories, or parts and accessories which perform equivalently.

Maintenance (Continued)

REPLACEMENT PARTS

▲ WARNING Use only genuine Campbell Hausfeld service parts. Tool performance, safety and durability could be reduced if improper parts are used. When ordering replacement parts, specify by part number.

BATTERY REPLACEMENT

▲ WARNING Always disconnect the tool from the power source when unattended, performing any maintenance or repair, clearing a jam, loading, unloading, or moving the tool to a new location.

The electronics on the tool (low nail indicator lights and nail placement laser pointer) run off of two (2) AAA batteries located in the compartment on the back of the magazine. When the batteries' power is running low and they need to be replaced, the electronic functions may not work properly or at all. Disconnect the tool from air source and remove the battery compartment cover by squeezing the locking tab and pulling out. Insert two (2) new batteries in the proper orientation. Do not mix old and new batteries. Close cover.

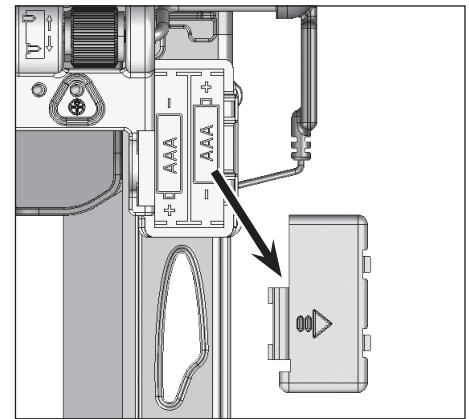


Figure 25 - Battery Replacement

ASSEMBLY PROCEDURE FOR SEALS

When repairing a nailer, the internal parts must be cleaned and lubricated. Parker O-lube or equivalent must be used on all o-rings. Each o-ring must be coated with O-lube before assembling. A small amount of oil must be used on all moving surfaces and pivots.

TECHNICAL SERVICE

For information regarding the operation or repair of this product, please call 1-800-543-6400.

FASTENER INTERCHANGE INFORMATION

Fasteners used in the Campbell Hausfeld CHN70500 Angle Finish Nailer will also work in the following brand units:

- Campbell Hausfeld NB0064
- Craftsman 18175, 18314
- Porter Cable FN250
- Ridgid R250SFA
- Senco Finish Pro 32

FASTENERS

The following Campbell Hausfeld brad nails are available at local retail stores. For help locating any item, call customer service at 1-800-543-6400. Campbell Hausfeld nails meet or exceed ASTM Standard F1667.

Model #	Length	Shank Gauge	Finish	Head	Collation	Nails Per Stick	Nails Per Box
FB005060	2 inch	16 Gauge	Galvanized	Brad	Adhesive	50	2500
FB160025	1 inch	16 Gauge	Galvanized	Brad	Adhesive	50	1000
FB160040	1-1/2 inch	16 Gauge	Galvanized	Brad	Adhesive	50	1000
FB160050	2 inch	16 Gauge	Galvanized	Brad	Adhesive	50	1000
FB160065	2-1/2 inch	16 Gauge	Galvanized	Brad	Adhesive	50	1000

Troubleshooting Guide

▲ WARNING

Stop using nailer immediately if any of the following problems occur. Serious personal injury could result. Any repairs or replacements must be done by a Qualified Service Person or Authorized Service Center.

SYMPTOM	CAUSE	SOLUTION
Air leaking at trigger valve	O-rings in trigger valve housing are damaged	Replace O-rings. Check operation of Work Contact Element (WCE)
Air leaking between housing and nose	<ol style="list-style-type: none"> Damaged O-rings and / or seals Damage to bumper 	<ol style="list-style-type: none"> Replace O-rings and / or seals Replace bumper
Air leaking between housing and cap	<ol style="list-style-type: none"> Loose screws Damaged gasket 	<ol style="list-style-type: none"> Tighten screws Replace gasket
Nailer skips driving nail	<ol style="list-style-type: none"> Worn bumper Dirt in nose piece Dirt or damage prevent nails or pusher from moving freely in magazine Damaged pusher spring Inadequate air flow to nailer Worn O-ring on piston or lack of lubrication Damaged O-ring on trigger valve Air leaks 	<ol style="list-style-type: none"> Replace bumper Clean drive channel Clean magazine Replace spring Check fitting, hose, or compressor Replace piston seals Replace O-rings Tighten screws and fittings
Nailer runs slow or has loss of power	<ol style="list-style-type: none"> Nailer not lubricated sufficiently Broken spring in cylinder cap Exhaust port in cap is blocked 	<ol style="list-style-type: none"> Lubricate nailer Replace spring Replace damaged internal parts
Nails are jammed in nailer	<ol style="list-style-type: none"> Guide on driver is worn Nails are not correct type Nails are bent Magazine or nose screws are loose Driver is damaged Nails loaded incorrectly 	<ol style="list-style-type: none"> Replace guide Use only recommended nails Replace with undamaged nails Tighten screws Replace driver Review Loading / Unloading section of manual
Laser, low nail indicators, and / or stud finder not working	<ol style="list-style-type: none"> System power switch in grip not depressed Batteries need to be replaced Components not properly replaced during re-assembly after customer maintenance Laser won't come on because WCE not slightly depressed Studfinder not accurate 	<ol style="list-style-type: none"> Turn switch on Replace batteries (see "Changing batteries" section) Review parts view for assistance in proper re-assembly Depress WCE to work surface Make sure the sensor plate of studfinder is flat against wall

For Replacement Parts or Technical Assistance, Call 1-800-543-6400

Please provide following information:

- Model number
- Serial number (if any)
- Part description and number as shown in parts list

Address any correspondence to:

Campbell Hausfeld
 Attn: Customer Service
 100 Production Drive
 Harrison, OH 45030 U.S.A.

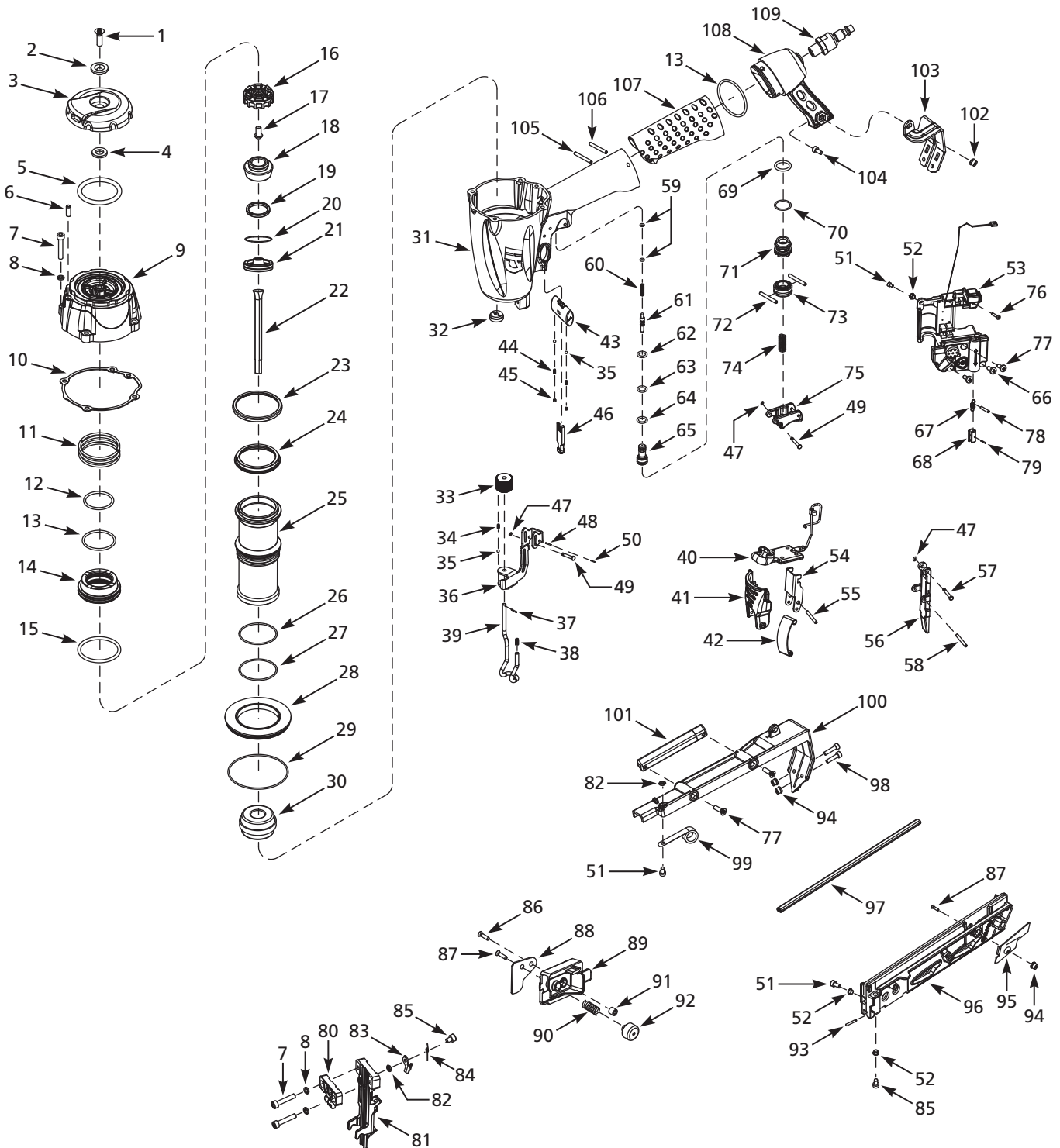


Figure 26 - Repair Parts Illustration for Air Powered Straight Finish Nailer, model CHN70500AV

Replacement Parts List

Ref. No.	Description	Part No.	Qty.
1	Screw – M6 x 20	*	1
2	Bushing	*	1
3	Exhaust cap	—	1
4	Gasket	●	1
5	Muffler assembly	●	1
6	Bubble level	▲	1
7	Socket head cap screw – M5 x 25	*	6
8	Washer	*	6
9	Cylinder cap	—	1
10	Cylinder cap gasket	■●	1
11	Valve spring	■	1
12	O-ring	■●	1
13	O-ring	■●	2
14	Valve	■	1
15	O-ring	■●	1
16	Valve gasket	■●	1
17	Screw – M6 x 12	■	1
18	Stop plate	■	1
19	Piston ring	●▼	1
20	O-ring	●▼	1
21	Piston	▼	1
22	Driver blade	▼	1
23	Collar	●◆	1
24	Cylinder gasket	●◆	1
25	Cylinder	—	1
26	O-ring	●◆	1
27	O-ring	●◆	1
28	Restrictor plate	◆	1
29	O-ring	●◆	1
30	Bumper	◆	1
31	Body	—	1
32	Nozzle	●◆	1
33	Thumbwheel	★	1
34	Spring	★	1
35	Ball bearing	★△	3
36	Upper work contact element	★	1
37	Spring pin	★	1
38	Spring	★	1
39	Work contact element	★	1
40	No-mar tip	○	1
41	Quick clear nose shroud	✱	1
42	Quick clear nose latch assembly	✱	1
43	Trigger mode switch	△	1
44	Spring	△	2
45	Screw – M4 x 5	△	2
46	Actuator	△	1
47	Retaining o-ring	●★✱□	2
48	Spring pin	★△	1
49	Roll pin	★□	2
50	Spring pin	★△	1
51	Socket head cap screw – M4 x 8	○★✱	3
52	Bushing	○✱	3
53	Electronics module	○	1
54	Latch	✱	1
55	Spring pin	✱	1
56	Quick clear nose door	✱	1
57	Roll pin	✱	1
58	Spring pin	✱	1
59	O-ring	●□	2
60	Trigger valve stem spring	□	1
61	Trigger valve	□	1
62	O-ring	●□	1
63	O-ring	●□	1
64	O-ring	●□	1
65	Trigger valve head	□	1

Ref. No.	Description	Part No.	Qty.
66	Screw – M4 x 10	○	2
67	Spring	○	1
68	Slide piece	○	1
69	O-ring	●□	1
70	O-ring	●□	1
71	Lower valve body	□	1
72	Spring pin	□	2
73	Trigger valve	□	1
74	Trigger spring	□	1
75	Trigger assembly	□	1
76	Screw	○	1
77	Screw – M4 x 10	○◇	3
78	Spring pin	○	1
79	Spring pin	○	1
80	Quick clear nose door bracket	—	1
81	Drive guide plate	—	1
82	Nut – M4	▽★	2
83	Work contact element locking piece	▽	1
84	Spring	▽	1
85	Socket head cap screw – M4 x 10	▽✱	2
86	Screw – M4 x 8	★	1
87	Screw – M4 x 10	★✱	2
88	Pusher	★	1
89	Pusher seat	★	1
90	Pusher spring	★	1
91	Threaded sleeve	★	1
92	Pusher button	★	1
93	Spring pin	✱	1
94	Nut – M4	✱✱	3
95	Pusher plate	✱	1
96	Lower magazine	✱	1
97	Rail	SV567700AV	1
98	Socket head cap screw – M4 x 12	✱	2
99	Coil spring	★	1
100	Upper magazine	✱	1
101	Recoil decal housing	◇	1
102	Nut – M5	✱	1
103	Magazine end cap	✱	1
104	Socket head cap screw – M5 x 16	✱	1
105	Spring pin	*	1
106	Spring pin	*	1
107	Grip	—	1
108	Inlet end cap	—	1
109	1/4-18 i/m (m) swivel plug	SV567600AV	1

REPLACEMENT PARTS KITS

▲	Bubble level kit	SKN22000AV
■	Head valve repair kit	SKN22100AV
●	Complete seal kit	SKN22200AV
◆	Cylinder repair kit	SKN22300AV
▼	Driver assembly kit	SKN22400AV
★	Work contact element (WCE) kit	SKN22500AV
✱	Quick clear nose (QCN) kit	SKN22600AV
△	Trigger mode switch kit	SKN22700AV
□	Trigger repair kit	SKN22800AV
○	Electronics module kit (some soldering required)	SKN22900AV
◇	Recoil warning decal kit	SKN23000AV
▽	Anti dry fire kit	SKN23100AV
★	Pusher kit	SKN23200AV
✱	Lower magazine assembly kit	SKN23300AV
✱	Upper magazine assembly kit	SKN23400AV
—	Not Available	
*	Standard hardware item - available at your local hardware store	

Reminder: *Keep your dated proof of purchase for warranty purposes! Attach it to this manual or file it for safekeeping.*

Warranty

1. DURATION: From the date of purchase by the original purchaser as follows: One Year.
2. WHO GIVES THIS WARRANTY (WARRANTOR): Campbell Hausfeld / Scott Fetzer Company, 100 Production Drive, Harrison, Ohio, 45030, Telephone: (800) 543-6400
3. WHO RECEIVES THIS WARRANTY (PURCHASER): The original purchaser (other than for purposes of resale) of the Campbell Hausfeld product.
4. WHAT PRODUCTS ARE COVERED BY THIS WARRANTY: Any Campbell Hausfeld nailer, stapler, air tool, spray gun, inflator or air accessory supplied or manufactured by Warrantor.
5. WHAT IS COVERED UNDER THIS WARRANTY: Substantial defects in material and workmanship which occur within the duration of the warranty period.
6. WHAT IS NOT COVERED UNDER THIS WARRANTY:
 - A. Implied warranties, including those of merchantability and FITNESS FOR A PARTICULAR PURPOSE ARE LIMITED FROM THE DATE OF ORIGINAL PURCHASE AS STATED IN THE DURATION. If this product is used for commercial, industrial or rental purposes, the warranty will apply for ninety (90) days from the date of purchase. Some States do not allow limitation on how long an implied warranty lasts, so the above limitations may not apply to you.
 - B. ANY INCIDENTAL, INDIRECT, OR CONSEQUENTIAL LOSS, DAMAGE, OR EXPENSE THAT MAY RESULT FROM ANY DEFECT, FAILURE, OR MALFUNCTION OF THE CAMPBELL HAUSFELD PRODUCT. Some States do not allow the exclusion or limitation of incidental or consequential damages, so the above limitation or exclusion may not apply to you.
 - C. Any failure that results from an accident, purchaser's abuse, neglect or failure to operate products in accordance with instructions provided in the owner's manual(s) supplied with product. Accident, purchaser's abuse, neglect or failure to operate products in accordance with instructions shall also include the removal or alteration of any safety devices. If such safety devices are removed or altered, this warranty is void.
 - D. Normal adjustments which are explained in the owner's manual(s) provided with the product.
 - E. Items or service that are normally required to maintain the product, i.e. o-rings, springs, bumpers, debris shields, driver blades, fuses, batteries, gaskets, packings or seals, fluid nozzles, needles, sandblast nozzles, lubricants, material hoses, filter elements, motor vanes, abrasives, blades, cut-off wheels, chisels, chisel retainers, cutters, collets, chucks, rivet jaws, screw driver bits, sanding pads, back-up pads, impact mechanism, or any other expendable part not specifically listed. These items will only be covered for ninety (90) days from date of original purchase. Underlined items are warranted for defects in material and workmanship only.
7. RESPONSIBILITIES OF WARRANTOR UNDER THIS WARRANTY: Repair or replace, at Warrantor's option, products or components which are defective, have malfunctioned and/or failed to conform within duration of the warranty period.
8. RESPONSIBILITIES OF PURCHASER UNDER THIS WARRANTY:
 - A. Provide dated proof of purchase and maintenance records.
 - B. Call Campbell Hausfeld (800) 543-6400 to obtain your warranty service options. Freight costs must be borne by the purchaser.
 - C. Use reasonable care in the operation and maintenance of the products as described in the owner's manual(s).
9. WHEN WARRANTOR WILL PERFORM REPAIR OR REPLACEMENT UNDER THIS WARRANTY: Repair or replacement will be scheduled and serviced according to the normal work flow at the servicing location, and depending on the availability of replacement parts.

This Limited Warranty applies in the United States, Canada and Mexico only and gives you specific legal rights. You may also have other rights which vary from state to state or country to country.



Cloueuse Droite de Finition

Instructions d'Utilisation et Manual de Pièces

CHN70500



ENGLISH: Page 1
ESPAÑOL: Página 41

IN729900AV 6/10
© 2010 Campbell Hausfeld/Scott Fetzer



VOUS PERMET DE LE FAIRE COMME UN PROFESSIONNEL

chpower.com

Download from www.somanuals.com. All Manuals Search And Download.

Table des Matières

Description	F-23	Charger/décharger la cloueuse . . .	F-31
Spécifications	F-23	Charger la cloueuse	F-31
Directives de sécurité	F-24	Décharger la cloueuse	F-31
Symboles de sécurité	F-24	Ajuster la pénétration du clou . . .	F-31
Information importante sur la sécurité	F-24	Ajuster la direction de l'échappement	F-31
Instructions portant sur un risque d'incendie, un choc électrique ou des blessures	F-24	Installer et retirer l'embout anti-marques.	F-31
Proposition 65 de Californie	F-24	Pré-opération	F-32
Généralités	F-24	Modes d'opération.	F-32
Aire de travail	F-24	Mode séquentiel	F-32
Sécurité personnelle	F-25	Mode de contact	F-32
Sécurité électrique	F-25	Mode de verrouillage de sécurité	F-32
Utilisation et entretien de l'outil . .	F-25	Pointe de contact (PC)	F-32
Service	F-27	Interrupteur électronique MARCHE/ARRÊT	F-33
Source d'air	F-27	Fonctionnement	F-34
Déballage	F-27	Baguette laser de placement de clou	F-34
Contenu	F-27	Décharger la cloueuse	F-34
Autres articles non inclus	F-27	Voyants indicateurs de faible quantité de clous	F-34
Assemblage	F-27	Niveau à bulles	F-34
Glossaire	F-28	Localisateur de poteaux	F-35
Apprendre à connaître votre cloueuse droite de finition comme un professionnel	F-29	Rangement	F-35
Caractéristiques	F-29	Entretien	F-35
Anti décharge à sec	F-29	Débloquer la cloueuse	F-35
Embout amarré anti-marques / Localisateur de poteaux	F-29	Réparation de la cloueuse	F-36
Voyants indicateurs de faible quantité de clous	F-29	Pièces de rechange	F-36
Baguette laser de placement de clou	F-29	Remplacement de piles	F-36
Niveau à bulles	F-29	Procédure d'assemblage pour les joints	F-36
Installation	F-30	Service technique	F-36
Lubrification	F-30	Information sur les attaches interchangeables	F-36
Composants minimaux requis pour le raccord	F-30	Attaches	F-36
Instructions de branchement de la cloueuse à l'alimentation d'air . . .	F-30	Guide de dépannage	F-37
Exigences du tuyau à air	F-30	Liste de pièces de rechange pour la cloueuse de finition angulaire	F-38 - F-39
		Garantie	F-40

Pour l'information sur les pièces, produits et services

APPELER: Service à la clientèle au 1-800-543-6400

ADRESSER TOUTE CORRESPONDANCE À : Campbell Hausfeld
Attn: Customer Service
100 Production Drive
Harrison, OH 45030 U.S.A.



Cloueuse Droite de Finition



Description

Cette cloueuse est conçue pour les garnitures décoratives, les moulures, les encadrements de portes et de fenêtres, les garnitures de meubles, l'installation d'embrasure de porte et l'assemblage de cadres. Les caractéristiques incluent : pratique chargeur à chargement arrière pour un maximum de 110 clous, embout anti-marques amarré avec fonction de localisateur de poteaux, buse à dégagement rapide, profondeur ajustable du mécanisme d'entraînement, sans huile, indicateur électronique de faible quantité de clous, baguette laser de placement de clou, chargeur en ligne, niveau à bulles, anti-décharge à sec, gâchette à conversion et verrouillage de sécurité, prise confortable en caoutchouc, bouchon pivotant et échappement ajustable.

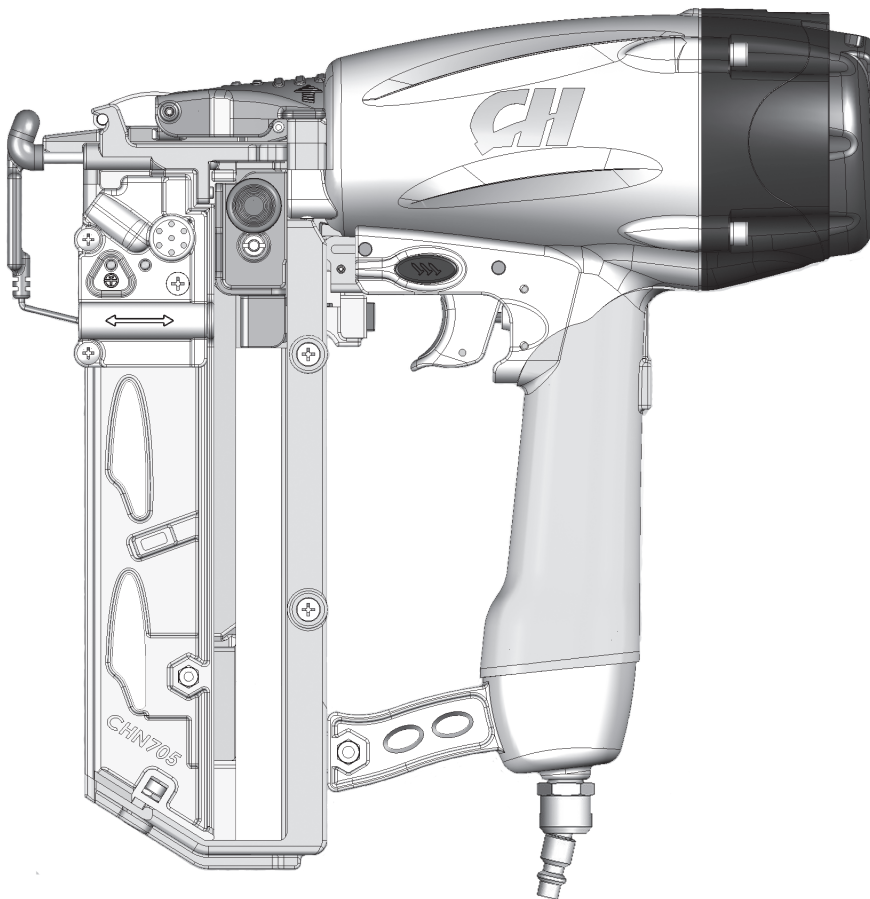


Figure 1 - CHN70500 Cloueuse Droite de Finition

Spécifications

Modèle CHN70500

Exigences : 0,02 m³/min (0,7 PCNM) en moyenne utilisant 10 attaches à la minute à 621 kPa (90 psi)

Prise d'air : 1/4 po NPT

Plage de tailles d'attaches : 2,54 à 6,35 cm (1 à 2 1/2 po) clous de pointes de finition de 16 g

Capacité du chargeur : 110 attaches par charge

Poids : 2,4 kg (5 lb 5 oz)

Longueur : 33,02 cm (13 po)

Hauteur : 30,48 cm (12 po)

Pression Maximale : 827 kPa

Gamme de Pression : 483 kPa - 827 kPa

Piles : Deux (2) AAA

Laser : Class IIIA

Longueur d'ondes : 640 nm - 660 nm

Puissance rayonnante : 1,53 < 5 mW

Trouver le numéro de modèle et le code de date sur le chargeur et/ou le corps de l'outil. Inscrire plus bas :

N° du Modèle : _____

Code Date : _____

Conserver ces numéros comme référence.

Directives de Sécurité

Ce manuel contient de l'information très importante qui est fournie pour la SÉCURITÉ et pour ÉVITER LES PROBLÈMES D'ÉQUIPEMENT. Rechercher les symboles suivants pour cette information.

▲ DANGER Danger indique une situation dangereuse imminente qui MÈNERA à la mort ou à des blessures graves si elle n'est pas évitée.

▲ AVERTISSEMENT Avertissement indique une situation potentiellement dangereuse qui, si elle n'est pas évitée, POURRAIT mener à la mort ou à de graves blessures.

▲ ATTENTION Attention indique une situation potentiellement dangereuse qui, si elle n'est pas évitée, PEUT mener à des blessures mineures ou modérées.

AVIS Avis indique de l'information importante qui pourrait endommager l'équipement si elle n'est pas respectée.

REMARQUE : Information qui exige une attention spéciale.

Symboles de sécurité

Les symboles de sécurité suivants apparaissent dans l'ensemble de ce manuel pour vous aviser des dangers et précautions importants de sécurité.



Porter une protection oculaire et un masque.



Lire le manuel d'abord



Risque de blessure



Risque de tomber



Porter une protection oculaire.



Porter une protection auditive



Risque d'incendie



Risque d'explosion



Risque de choc

Importantes Instructions De Sécurité

Instructions Portant Sur Un Risque d'Incendie, Un Choc Électrique Ou Des Blessures Aux Personnes

Ce manuel contient des informations concernant la sécurité, le fonctionnement et l'entretien. Si vous avez des questions, appeler le 1-800-543-6400 pour le service à la clientèle.

▲ AVERTISSEMENT

En utilisant les outils, il faut suivre les précautions de base, y compris ce qui suit :

PROPOSITION 65 DE CALIFORNIE

▲ AVERTISSEMENT

Ce produit ou son cordon peuvent contenir des produits chimiques qui, de l'avis de l'État de Californie, causent le cancer et des anomalies congénitales ou autres problèmes de reproduction. Lavez-vous les mains après la manipulation.

▲ AVERTISSEMENT

Vous pouvez créer de la poussière en coupant, ponçant, perçant ou meulant les matériaux tels que le bois, la peinture, le métal, le béton, le ciment ou autre maçonnerie. Cette poussière contient souvent des produits chimiques reconnus pour causer le cancer, les déformations congénitales



GÉNÉRALITÉ :

- Pour réduire les risques de chocs électriques, d'incendie ou de blessures aux personnes, lire toutes les instructions avant d'utiliser l'outil. Ne pas suivre les avertissements, les dangers et les mises en garde pourrait causer la MORT ou de GRAVES BLESSURES.
- Se familiariser avec ce produit, ses commandes et son utilisation. Suivez toutes les instructions. Contacter votre représentant Campbell Hausfeld si vous avez des questions.
- Seules les personnes familières avec ces règles d'utilisation sans danger devraient utiliser cette unité.



▲ AVERTISSEMENT

Ne pas utiliser la cloueuse ni permettre qu'une autre personne l'utilise si les avertissements ou les étiquettes d'avertissement situés sur le chargeur et corps de la cloueuse ne sont pas lisibles.

▲ AVERTISSEMENT

Toujours prendre pour acquis que la cloueuse contient des clous. Respecter l'outil comme accessoire de travail non pas un jouet. Donc aucun jeu brutal. Toujours garder les autres personnes à une distance de sécurité de l'aire de travail en cas de décharge accidentelle des clous. Ne pas pointer l'outil vers vous ou vers quelqu'un d'autre qu'il y ait ou non des attaches dans la cloueuse. Le déclenchement accidentel de la cloueuse pourrait causer la mort ou de graves blessures.

▲ ATTENTION

Ne pas apporter de modifications à l'outil sans d'abord obtenir une approbation écrite de Campbell Hausfeld. N'utilisez pas une cloueuse si les écrans ou protecteurs ont été enlevés ou altérés. Ne pas utiliser la cloueuse comme un marteau. Cela peut entraîner des blessures ou endommager l'appareil.

AVIS

Nettoyer et vérifier tous les tuyaux et raccords avant de brancher la cloueuse au compresseur d'air. Remplacer les tuyaux ou les raccords endommagés ou usés, sinon, le rendement et la durabilité de l'outil seront affectés.


AIRE DE TRAVAIL


- Garder l'aire de travail propre et bien éclairée. Les établis encombrés et les coins sombres augmentent les risques de chocs électriques, d'incendie et de blessures aux personnes.
- Ne pas faire fonctionner l'outil dans une atmosphère explosive comme en présence de liquides, gaz ou poussières inflammables. L'outil peut produire des étincelles menant à une inflammation de poussières ou de fumées.
- Garder les spectateurs, les enfants et les visiteurs loin en utilisant l'outil. Les distractions peuvent faire perdre le contrôle de l'outil.



Importantes Instructions De Sécurité (Suite)


SÉCURITÉ PERSONNELLE

- Rester vigilant. Il faut regarder ce que vous faites et utiliser son sens commun en faisant fonctionner un outil. Ne pas faire fonctionner l'appareil si vous êtes fatigué ou sous l'influence de drogues, d'alcool ou de médicaments.** Un moment d'inattention en faisant fonctionner l'outil augmente le risque de blessures.
- Il faut s'habiller correctement. Ne pas porter de bijoux ou de vêtements amples. Attacher les cheveux longs. Garder les cheveux, les vêtements et les gants loin des pièces mobiles.** Les vêtements amples, les bijoux ou les cheveux longs augmentent le risque de blessures si quelque chose se prend dans les pièces mobiles.
- Ne pas trop se pencher. Garder bon pied et bon équilibre en tout temps.** Ceci permet d'avoir un meilleur contrôle de l'outil dans les situations imprévues. 
- Utiliser l'équipement de sécurité.** Il faut utiliser un masque antipoussières, des souliers de sécurité antidérapants et un casque de protection appropriés pour les conditions en cours.

AVERTISSEMENT S'assurer que l'outil est utilisé seulement lorsque l'opérateur et tout autre personnel dans l'aire de travail portent un équipement de protection oculaire ANSI Z87 et, s'il y a lieu, d'autre équipement de protection approprié tel que de l'équipement de protection pour la tête, les oreilles et les pieds. Il pourrait y avoir de graves lésions oculaires ou perte auditive. 

e. Toujours porter une protection auditive en utilisant l'outil. Toute exposition prolongée à des bruits de forte intensité pourrait provoquer une perte auditive. 

f. Ne pas attacher le boyau d'air ou l'outil à votre corps. Fixer le boyau à la structure pour réduire le risque de perte d'équilibre si le boyau se déplace.

g. Toujours assumer que l'outil contient des attaches. Ne pas pointer l'outil vers soi ou vers quelqu'un d'autre qu'il y ait des attaches ou non. 

AVERTISSEMENT Ne pas échapper ni jeter l'outil car ceci peut causer du dommage le rendant dangereux à utiliser. Si l'outil s'est fait échappé ou jeté, l'examiner soigneusement afin de déterminer s'il est courbé, fendu ou s'il y a des fuites ou pièces détachées endommagées. ARRÊTER et réparer avant d'utiliser, sinon, il y a un risque de blessures graves.

ATTENTION Éviter d'utiliser la cloueuse pour une période de temps prolongée. Cesser d'utiliser la cloueuse si l'on ressent des douleurs dans les mains ou dans les bras.


ATTENTION Tenir l'outil par des surfaces de prise isolée en effectuant le travail lorsque l'outil ou l'attache pourrait entrer en contact avec un câblage caché. Un contact avec un fil « sous tension » rendra les pièces de métal exposées de l'outil « sous tension » et produira un choc pour l'opérateur.

DANGER Ceci est un produit au laser de classe IIIA, qui émet un rayonnement laser.


- Ne jamais regarder directement le faisceau laser ou dans sa réflexion directe.** Les lasers sont dangereux pour les yeux.
- Ne pas placer l'outil au niveau des yeux ni le faire fonctionner sur ou près d'une surface réfléchissante.** Le faisceau laser pourrait être projeté dans vos yeux ou dans ceux d'une autre personne.



Figure 2

AVERTISSEMENT Ne jamais placer les mains ou toute autre partie du corps dans la section de décharge des clous de la cloueuse. L'outil pourrait décharger une attache menant à la mort ou à de graves blessures. 

SÉCURITÉ ÉLECTRIQUE

AVERTISSEMENT Remplacer les piles seulement avec des piles de même taille. Ne pas mélanger de piles neuves et usées. Utiliser la mauvaise taille de pile peut créer un risque d'incendie ou de blessure. 

AVERTISSEMENT L'avant de l'outil pourrait être placé « sous tension » si l'outil entre en contact avec des fils sous tension dans le mur. **POUR ÉVITER TOUT CHOC ÉLECTRIQUE ACCIDENTEL, TENIR L'OUTIL SEULEMENT PAR LA POIGNÉE À PRISE SOUPLE.** 

UTILISATION ET ENTRETIEN DE L'OUTIL

a. Ne pas forcer l'outil. Utiliser le bon outil pour l'application. Le bon outil effectuera le meilleur travail sécuritaire au rythme pour lequel il a été conçu.

AVERTISSEMENT Débrancher l'outil de la source d'air avant tout ajustement, entretien de l'outil, déblocages, avant de toucher l'étrier de sécurité, avant de quitter l'aire de travail, de charger ou de décharger l'outil. De telles mesures de précautions réduisent le risque de blessures.

b. Ranger l'outil lorsqu'il n'est pas utilisé hors de portée des enfants et autres personnes non formées. Un outil est dangereux dans les mains d'utilisateurs non formés.

c. Il faut entretenir l'outil avec soin. Un outil bien entretenu réduit le risque de problèmes et est plus facile à contrôler.

d. Utiliser seulement les attaches indiquées dans la section « Information sur les attaches interchangeables » de la page 36. Les attaches non identifiées pour une utilisation avec cet outil par le fabricant de l'outil pourraient mener à des risques de blessures pour les personnes ou des dommages à l'outil si utilisées dans cet outil.

Importantes Instructions De Sécurité (Suite)

- e. **Toujours travailler dans un endroit bien ventilé. Porter un masque anti-poussières homologué OSHA.**

⚠ AVERTISSEMENT *Toujours débrancher l'outil de la source de courant lorsqu'il est sans supervision, pour effectuer son entretien ou des réparations, pour débloquer, charger, décharger ou déplacer l'outil vers un nouvel endroit.*

⚠ AVERTISSEMENT *L'outil doit être ajusté à un raccord ou à coupleur de boyau sur ou près de l'outil pour que tout air comprimé de l'outil soit déchargé lorsque le raccord ou le coupleur de boyau est débranché. Ne pas utiliser de clapet de non-retour ou tout autre raccord qui laisse de l'air dans la cloueuse. Ceci pourrait mener à des blessures graves ou à la mort.*

⚠ AVERTISSEMENT *Ne jamais transporter l'outil par le boyau et ne pas tirer le boyau pour déplacer la cloueuse ou un compresseur. Garder les boyaux loin de la chaleur, de l'huile et des bords tranchants. Remplacer tout boyau endommagé, affaibli ou usé. Sinon il pourrait y avoir des blessures personnelles ou des dommages à l'outil.*

⚠ AVERTISSEMENT *Ne pas enfoncer de clou sur d'autres clous. Le clou pourrait dévier et provoquer la mort ou de graves piqûres.*

⚠ AVERTISSEMENT *Ne pas utiliser l'outil si l'interrupteur de courant du guide laser ne se met pas en marche ou ne s'éteint pas. Tout outil qui ne peut pas être contrôlé par l'interrupteur est dangereux et doit être réparé.*

- f. **S'assurer que l'interrupteur de courant du guide laser soit en position d'arrêt avant d'insérer les piles.** Insérer les piles dans l'outil avec l'interrupteur en marche invite les accidents.

- g. **Arrêter le guide laser avant tout ajustement, changement d'accessoires ou rangement.** De telles mesures de sécurité préventives réduisent les risques d'accidents.

⚠ AVERTISSEMENT *Lorsque les piles ne sont pas utilisées, les garder loin de tous les objets métalliques comme les trombones, la monnaie, les clés, les clous ou les vis qui peuvent établir une connexion d'une borne à l'autre. Provoquer un court-circuit des bornes de pile ensemble peut provoquer des étincelles, des brûlures, un incendie ou des dommages à la pile.*

- h. **Cet outil NE peut PAS être modifié ou utilisé pour toute application autre que celle pour laquelle il a été conçu.**

- i. **Sous des conditions d'abus, le liquide pourrait être projeté des piles.** Éviter tout contact. S'il y a contact accidentel, rincer à grande eau. Si le liquide entre en contact avec les yeux, consulter un médecin. Le liquide des piles peut provoquer une irritation ou des brûlures.

⚠ ATTENTION *L'utilisation de contrôles ou des ajustements ou l'exécution de procédures autres que celles spécifiées dans ce document pourrait mener à une exposition dangereuse.*

- j. **L'utilisation d'instruments optiques avec ce produit augmente le danger pour les yeux.**
- k. **Éteindre le faisceau laser lorsqu'il n'est pas utilisé ou lorsque l'outil sera laissé sans supervision.**
- l. **Ne pas retirer les étiquettes de l'outil.**

- m. **Le produit émettra un faisceau laser de l'ouverture. Ce produit doit être utilisé seulement par des opérateurs professionnels.** Dans des conditions d'utilisation et d'entretien normaux, les opérateurs doivent porter une protection oculaire pour éviter les blessures aux yeux.

AVIS

Ne pas exposer l'outil à une chaleur extrême.

- n. **Ne pas ranger dans des endroits où la température pourrait atteindre ou dépasser 49 °C (120 °F), comme une remise à outils de métal ou une voiture en été.** Ceci peut mener à une détérioration de la pile.

- o. **Ne pas démonter l'outil.**

- p. **Retirer les piles en rangeant l'outil pendant de longues périodes.**

REMARQUE : La température de batterie augmente pendant et un peu après l'utilisation.

Utiliser seulement de nouvelles piles de recharge alcalines [deux (2) piles AAA requises]. Ne pas mélanger de piles neuves et usées.

Durée de conservation des piles - les piles incluses peuvent être un peu épuisées ou mortes selon la durée de conservation du produit en attendant son achat. Ne pas retourner le produit au magasin pour des piles épuisées, appeler Campbell Hausfeld au 1-800-543-6400 pour obtenir de l'aide.

- q. **Ne pas modifier ou altérer la cloueuse ou les pièces de la cloueuse. Ne pas utiliser la cloueuse si des écrans ou des protecteurs ont été retirés ou modifiés.** Ne pas utiliser la cloueuse comme marteau. Sinon il pourrait y avoir des blessures personnelles ou des dommages à l'outil.

⚠ DANGER *Ne pas utiliser tous types de gaz inflammables ou oxygène comme source d'alimentation de la cloueuse. Utiliser seulement de l'air comprimé filtré, lubrifié, contrôlé. Utiliser un gaz comprimé au lieu de l'air comprimé pourrait faire exploser la cloueuse ce qui pourrait causer la mort ou de graves blessures.*

⚠ DANGER *Ne jamais utiliser d'essence ou d'autres liquides inflammables pour nettoyer la cloueuse. Ne jamais utiliser la cloueuse en présence de liquides ou gaz inflammables. Les vapeurs pourraient créer une étincelle et une explosion qui mènerait à la mort ou à de graves blessures.*

- r. **Éviter d'utiliser la cloueuse avec un chargeur vide.** Cela pourrait accélérer l'usure de la cloueuse.

⚠ DANGER *Ne pas modifier ou altérer la pointe de contact (PC). Ne pas attacher ou mettre de ruban sur la PC ou sur la gâchette en position enfoncée. Ceci pourrait mener à des blessures graves ou à la mort.*

⚠ ATTENTION *Toujours vérifier que la pointe de contact (PC) fonctionne correctement. Un clou pourrait être entraîné accidentellement si la PC ne fonctionne pas correctement. Des blessures graves pourraient en résulter.*

⚠ DANGER *Ne pas toucher la gâchette à moins d'enfoncer des clous. Ne jamais attacher de conduite d'air à la cloueuse ou transporter la cloueuse en touchant la gâchette. L'outil pourrait décharger une attache menant à la mort ou à de graves blessures.*

Importantes Instructions De Sécurité (Suite)

SERVICE

- Tout le travail d'entretien et de réparation doit être effectué seulement par un personnel de réparation qualifié.**
- En réparant ou faisant l'entretien d'un outil, utiliser seulement des pièces de rechange identiques. Utiliser seulement des pièces autorisées.**
- Utiliser seulement les lubrifiants fournis avec l'outil ou spécifiés par le fabricant.**

▲ ATTENTION *Couper l'alimentation d'air et décharger toute pression du pousoir avant d'essayer de dégager les blocages parce que les attaches peuvent être projetées de l'avant de la cloueuse. Des blessures graves pourraient en résulter.*

SOURCE D'AIR

- Ne jamais brancher à une source d'air pouvant dépasser 1379 kPa.** Une surpression de l'outil peut mener à un éclatement, une opération anormale, un bris de l'outil ou de graves blessures. Utiliser seulement de l'air comprimé propre, sec, contrôlé à une pression nominale ou dans la plage de pression nominale tel qu'indiqué sur l'outil. Toujours vérifier avant d'utiliser l'outil que la source d'air est ajustée à la pression d'air nominale ou dans la plage de pression d'air nominale.
- Ne jamais utiliser d'oxygène, de dioxyde de carbone, de gaz combustible ou tout gaz en bouteille comme source d'air de l'outil.** De tels gaz peuvent exploser et provoquer de graves blessures.

AVIS *Le compresseur d'air utilisé avec cette cloueuse doit conformer aux exigences établies par l'American National Standards Institute Standard B19.3-1991; Safety Standard for Compressors for Process Industries. Contacter le fabricant du compresseur pour plus d'informations.*

**CONSERVER CES INSTRUCTIONS
NE LES JETEZ PAS**

Les symboles **DANGER, AVERTISSEMENT, ATTENTION ET AVIS** ainsi que les instructions de ce manuel ne peuvent pas couvrir toutes les conditions et situations qui pourraient se produire. L'opérateur doit comprendre que le bon sens et des précautions sont des facteurs qui ne peuvent pas être inclus dans ces produits, mais doivent être fournis par l'opérateur.

Déballage

Dès que l'appareil est déballé, l'inspecter attentivement pour tout signe de dommages en transit. Vérifier s'il y a des pièces desserrées, manquantes ou endommagées. S'assurer de resserrer tous les raccords, boulons, etc. avant de le mettre en service. Vérifier pour s'assurer que tous les accessoires fournis sont inclus avec l'appareil. Pour toutes questions, pièces endommagées ou manquantes, appeler le 1-800-543-6400 pour le service à la clientèle.

CONTENU

- ◆ Cloueuse de finition
- ◆ Clous de pointes de finition de 16 g, 63 mm (2 1/2 po)
- ◆ Piles
- ◆ Clés
- ◆ Mode d'emploi
- ◆ Carte de garantie
- ◆ Sac de transport

AUTRES ARTICLES NON INCLUS

- ◆ Compresseur (doit pouvoir maintenir au moins 483 kPa (70 psi) lorsqu'on utilise la cloueuse)
- ◆ Tuyau à air
- ◆ Petit outil pour débloquer
- ◆ Colle de frein-filet
- ◆ ANSI Z87 Protection oculaire
- ◆ Protection auditive et autre équipement de protection personnelle, si nécessaire.

Assemblage

Cet outil est fourni entièrement assemblé.

Glossaire

Familiarisez-vous avec ces termes avant d'utiliser l'appareil.

ACTIVER (OUTIL) — Provoquer le déplacement du(des) composant(s) de l'outil pour enfoncer l'attache.

SYSTÈME D'ACTIVATION — L'utilisation d'une gâchette, pointe de contact et/ou autre contrôle d'utilisation, séparément ou en combinaison ou séquence, pour activer l'outil.

ARRIVÉE D'AIR — L'ouverture de branchement d'alimentation d'air comprimé, normalement par un raccord fileté.

ATTACHES — Cet outil utilise des clous de pointes de finition de 25,4 mm à 63,5 mm de 16 g.

CHARGEUR — La partie de la cloueuse qui contient les attaches.

PRESSION D'AIR MAXIMALE — La pression d'air comprimé maximale permise, tel qu'indiqué par le fabricant pour utiliser l'outil.

EMBOUT ANTI-MARQUES / LOCALISATEUR DE POTEAUX — L'embout anti-marques / localisateur de poteaux est conçu pour éliminer les marques de la pointe de contact (PC) en fil métallique. L'embout anti-marques se retire et s'amarre à l'outil s'il n'est pas requis (voir **INSTALLER ET RETIRER L'EMBOUT ANTI-MARQUES / LOCALISATEUR DE POTEAUX**) ou lorsqu'on préfère un fraisage un peu plus profond. Glisser simplement l'anti-marque de la PC et l'attacher au poste de rangement sur le chargeur. L'embout fonctionne aussi comme localisateur de poteaux pratique. Pour utiliser l'embout anti-marques / localisateur de poteaux, glisser tout simplement sur la PC des outils (voir la *Figure 5*).

kPa — Mesure de la pression de la force de l'air. La sortie réelle en kPa se mesure par un manomètre sur le compresseur.

RACCORD RAPIDE — Un coupleur rapide conçu pour fonctionner en combinaison avec un bouchon rapide pour joindre facilement et rapidement un outil pneumatique en tuyau à air (voir *Figure 3*).

BOUCHON RAPIDE — Un bouchon rapide conçu pour fonctionner en combinaison avec un coupleur rapide pour joindre facilement et rapidement un outil pneumatique en tuyau à air (voir *Figure 4*).

RÉGULATEUR — Un dispositif utilisé pour contrôler la pression d'air à un outil à air.

COLLE DE FREIN-FILET — Une colle de frein-filet appliquée aux filets des vis avant l'installation. Empêche les vis de se desserrer en utilisant l'outil.

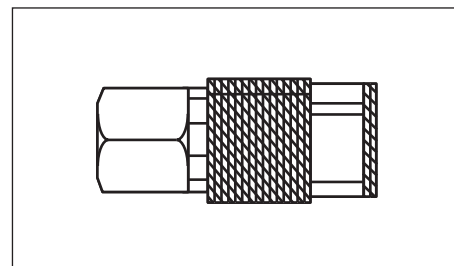


Figure 3 - Raccord Rapide

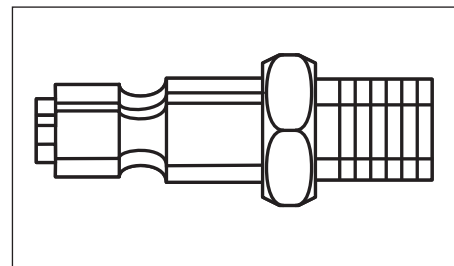


Figure 4 - Bouchon Rapide

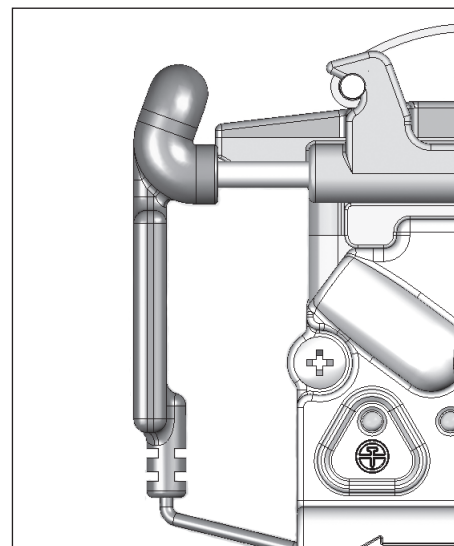
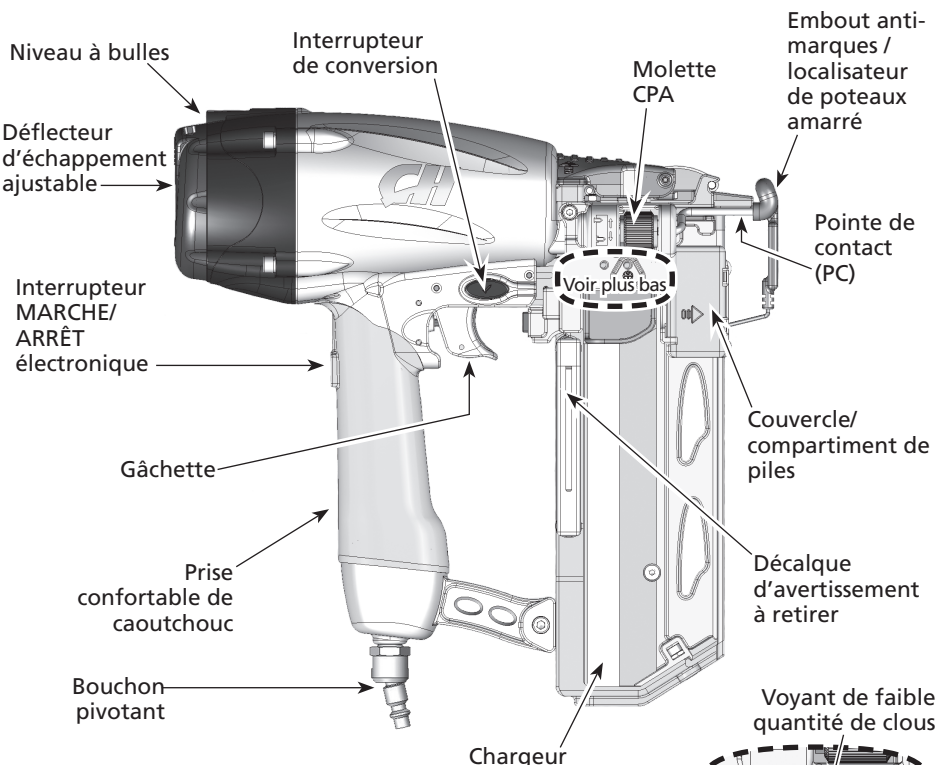


Figure 5 - Embout anti-marques / localisateur de poteaux

Apprendre à connaître sa cloueuse droite de finition comme un professionnel



Caractéristiques

ANTI DÉCHARGE À SEC

Cet outil est fourni doté d'une fonction anti décharge à sec. Ceci empêche de pousser la pointe de contact vers l'intérieur lorsqu'il ne reste que quelques clous. Charger tout simplement une nouvelle pince de clous derrière les clous en place pour continuer à tirer.

EMBOUT ANTI-MARQUES / LOCALISATEUR DE POTEAUX AMARRÉ

L'outil est doté d'un embout anti-marques qui sert aussi de pratique localisateur de poteaux. Pour utiliser l'embout anti-marques, glisser tout simplement sur la PC des outils.

VOYANTS INDICATEURS DE FAIBLE QUANTITÉ DE CLOUS

L'outil est doté de voyants d'un côté ou l'autre de l'outil près de la buse. Lorsque le compte de clous est faible, les voyants deviennent jaunes. Lorsque le compte de clous est presque épuisé, la fonction anti décharge à sec s'engage et les voyants deviennent rouges. (voir la section Charger la cloueuse)

BAGUETTE LASER DE PLACEMENT DE CLOU

L'outil est doté d'un laser monté près de la buse. Ceci se voit à travers les fentes larges de la PC et / ou l'embout anti-marques. Le laser indiquera l'emplacement exact de l'attache.

⚠ DANGER Ceci est un produit au laser de classe IIIA qui émet un rayonnement laser. Ne jamais regarder directement le faisceau ni regarder avec les instruments optiques.

NIVEAU À BULLES

L'outil est doté d'un niveau à bulles qui se trouve sur le chapeau de tête. Ceci aidera à aligner l'outil pour entrer l'attache à niveau. Le niveau à bulle aidera au positionnement vertical et horizontal de l'outil.

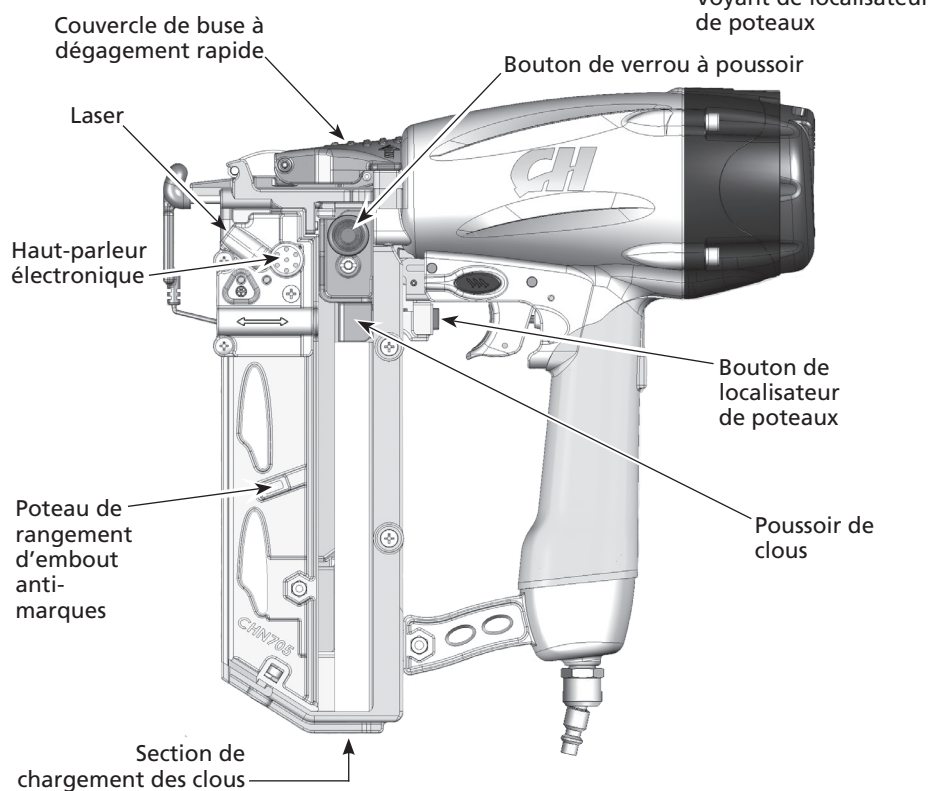


Figure 6 - Composants de cloueuse droite de angulaire

Installation

LUBRIFICATION

Cette cloueuse N'EXIGE PAS de lubrification pour une opération normale. Par contre, une lubrification N'ENDOMMAGERA PAS l'outil.

AVIS

La surface de travail pourrait être endommagée par une lubrification excessive.

COMPOSANTS MINIMAUX REQUIS POUR LE RACCORD

COMPRESSEUR D'AIR : Le compresseur doit pouvoir maintenir au moins 483 kPa (70 psi) lorsqu'on utilise la cloueuse. Une alimentation d'air inadéquate peut mener à une perte de courant et à un entraînement inconsistant (voir tableau 2).

RÉGULATEUR DE PRESSION : Il faut un régulateur de pression pour contrôler la pression d'utilisation de la cloueuse entre 483 et 827 kPa (70 psi et 120 psi).

BOYAU D'ALIMENTATION D'AIR : TOUJOURS utiliser des boyaux d'alimentation d'air avec une pression de service minimale égale à ou supérieure à la pression de la source de pression, ou 1 034 kPa (150 psi), selon la valeur la plus élevée. Utiliser un tuyau d'air d'au moins 6,4 mm (1/4 po) pour les distances jusqu'à 15,24 m (50 pi). Utiliser des tuyaux d'air de 9,5 mm (3/8 po) pour les distances de 15,24 m (50 pi) ou plus (voir la figure 4 et le tableau 3).

INSTRUCTIONS DE BRANCHEMENT DE LA CLOUEUSE À L'ALIMENTATION D'AIR

La figure 8 montre le branchement recommandé pour la cloueuse.

REMARQUE : Pour une meilleure performance, installer un bouchon rapide de 9,5 mm (3/8 po) (filets 1/4 po NPT) avec un diamètre intérieur de 8 mm (315 po) sur la cloueuse et un coupleur rapide de 9,5 mm (3/8 po) sur le tuyau d'air.

1. Avec l'interrupteur MARCHE/ARRÊT à la position d'ARRÊT (OFF), brancher le compresseur dans la prise de courant.
2. Fermer le régulateur de pression en tournant jusqu'au bout à gauche. Mettez l'interrupteur du compresseur à la position de MARCHE (ON) et laissez pomper jusqu'à la pression d'arrêt automatique.
3. Brancher le tuyau d'air à la sortie du régulateur. Ajuster le régulateur de pression en tournant vers la droite pour que la pression de sortie soit entre 483 à 827 kPa (70 à 120 psi)
4. Charger les attaches dans la cloueuse (voir la section Charger/décharger la cloueuse de la page 31).
5. Pointer la cloueuse dans une direction sans danger tout en installant au tuyau à air.
6. La cloueuse est prête à utiliser. Il faudra peut-être ajuster la pression de sortie pour avoir la profondeur d'attache appropriée.


	483 kPa Min.
	827 kPa Max.

Tableau 1

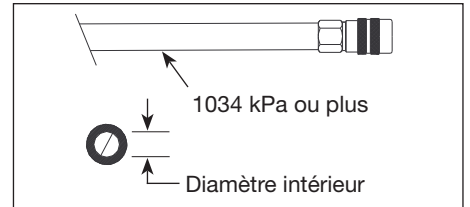


Figure 7 - Exigences du tuyau à air

EXIGENCES DU TUYAU À AIR	
DIAMÈTRE	LONGUEUR D'ACHEMINEMENT
1/4 po	Moins de 15,24 m (50 pi)
3/8 po	Plus de ou égale à 15,24 m (50 pi)

Tableau 2

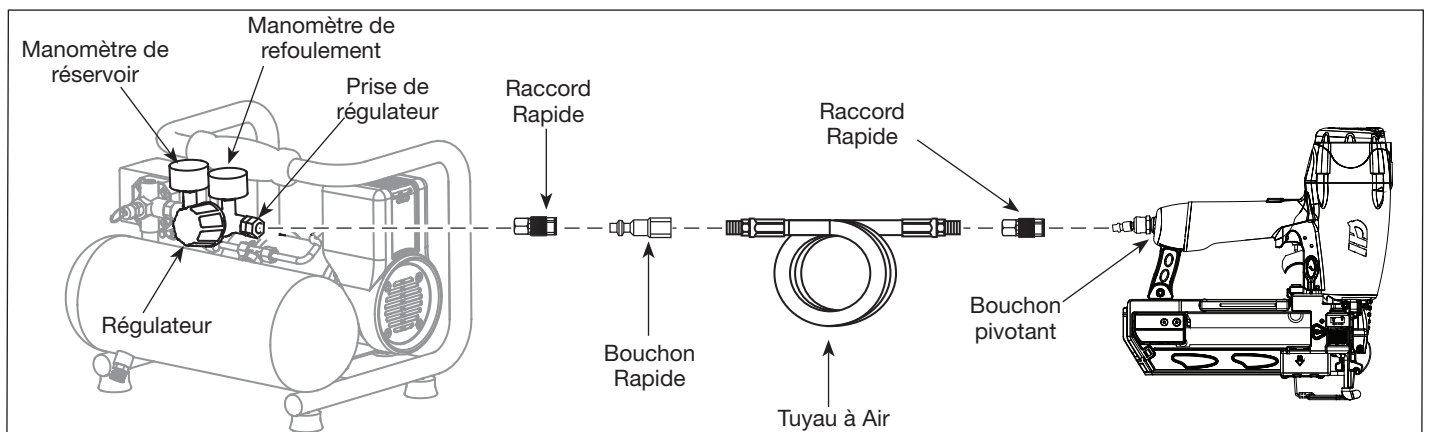


Figure 8 - Branchement Recommandé

Installation (suite)

CHARGER/DÉCHARGER LA CLOUEUSE

Toujours **débrancher** l'outil de l'alimentation d'air **avant** de charger ou de décharger les attaches. Choisir la longueur d'attache à utiliser pour le projet. Il y a des attaches supplémentaires dans les centres de rénovations principaux.

Charger l'outil

1. Reculer le poussoir jusqu'à ce qu'il s'enclenche.
2. Insérer des pinces des pinces à clous dans la fente de chargement arrière.
3. Enfoncer le bouton de verrou du poussoir pour le dégager et le laisser engager la pince.

Décharger l'outil

1. Reculer le poussoir jusqu'à ce qu'il s'enclenche.
2. Sortir les clous de la fente de chargement.

AJUSTER LA PÉNÉTRATION DU CLOU

Le CHN70500 est doté d'une fonction d'entraînement à profondeur ajustable, molette CPA (Voir la Figure 11). Ceci permet à l'utilisateur de déterminer la profondeur d'une attache dans la surface de travail.

1. Ajuster la pression de service à une pression qui entraînera les attaches de manière constante. Ne pas dépasser la pression maximale d'exploitation de la cloueuse de 827 kPa (120 psi).
2. Pour augmenter la profondeur d'entraînement, relever d'abord la PC supérieure, puis tourner la molette vers la gauche (anti-horaire). Pour réduire la profondeur d'entraînement, tourner la molette vers la droite (horaire). Dégager alors la PC supérieure par encliquetages qui gardent la molette en place après chaque ajustement.
3. S'assurer que la gâchette et que la PC se déplacent librement vers le haut et vers le bas sans grippage ou collage après chaque ajustement.

AJUSTER LA DIRECTION DE L'ÉCHAPPEMENT

Le CHN70500 est doté d'un déflecteur d'échappement à direction ajustable. Ceci est pour permettre à l'utilisateur de changer la direction de l'échappement. Tourner tout simplement le déflecteur dans la direction voulue.

INSTALLER ET RETIRER L'EMBOUT ANTI-MARQUES / LOCALISATEUR DE POTEAUX

1. Débrancher l'alimentation d'air de la cloueuse.
2. Retirer l'embout du site de rangement de retenue.
3. Placer l'embout anti-marques avec soin sur l'extrémité de la pointe de contact.
4. Vérifier que la PC et que la gâchette se déplacent librement vers le haut et vers le bas sans accrochage ou grippage.

REMARQUE : Pour retirer l'embout, inverser la procédure indiquée précédemment.

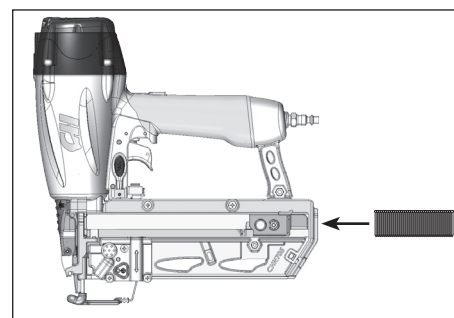


Figure 9 - Charger la cloueuse

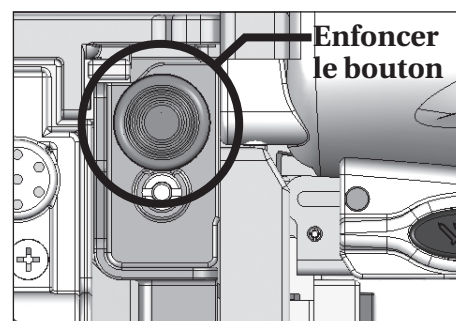


Figure 10 - Bouton de dérivation de clous

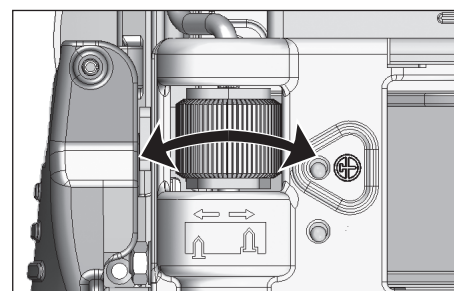


Figure 11 - Ajustement de profondeur du clou

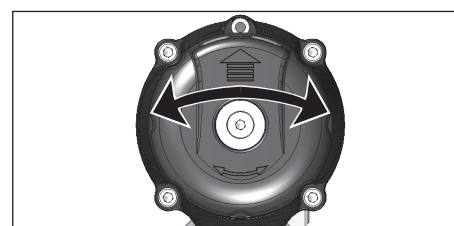


Figure 12 - Ajustement d'échappement

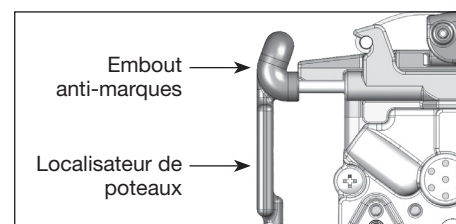


Figure 13 - Embout anti-marques / localisateur de poteaux

Pré-opération

MODES D'OPÉRATION

⚠ AVERTISSEMENT

Toujours connaître le mode d'opération de la cloueuse avant de l'utiliser. Ne pas le connaître pourrait mener à des blessures graves ou à la mort.

Cette cloueuse peut fonctionner en mode « séquentiel » (comme fourni par le fabricant) ou en mode de « contact. » L'outil peut être converti d'un mode à l'autre en pressant fermement l'interrupteur de conversion d'une position à l'autre.

Enfoncer entièrement le côté de l'interrupteur de conversion “↗” pour activer le Mode Séquentiel.

Enfoncer entièrement le côté de l'interrupteur de conversion “↘” pour activer le Mode de Contact.

Enfoncer un côté ou l'autre à la position centrale pour activer le Mode de Verrouillage de sécurité.

Mode séquentiel (voir la Figure 14)

Cette méthode est recommandée lorsqu'il faut un placement de précision du clou. Sous ce mode, il faut tirer sur la gâchette chaque fois qu'on fait pénétrer un clou. La cloueuse s'active en enfonçant la pointe de contact (PC) contre la surface de travail pour ensuite tirer sur la gâchette.

La gâchette doit être dégagée après la pénétration de chaque attache pour permettre à l'outil de se réinitialiser.

Puisque l'outil ne peut être activé en retirant d'abord le doigt de la gâchette, ceci est considéré un mode plus restrictif de service, convenant aux utilisateurs moins expérimentés.

Mode de contact (voir la Figure 15)

Cette méthode est recommandée lorsqu'il faut un placement moins précis du clou. Le fonctionnement sous ce mode exige d'enfoncer la gâchette avec la cloueuse qui n'est pas sur la surface de travail. La buse de la cloueuse est frappée contre la surface de travail entraînant le clou.

Chaque fois que la pointe de contact est enfoncée, un clou pénètre dans la surface de travail. Il faut être particulièrement prudent parce qu'un clou sera entraîné lorsque la PC est pressée contre toute surface.

Puisque l'outil peut être activé sans retirer le doigt de la gâchette, ceci est considéré un mode moins restrictif de service, convenant pour les utilisateurs ayant plus d'expérience.

Mode de verrouillage de sécurité

Lorsque l'interrupteur de conversion est enfoncé en position du milieu, la gâchette est en Mode de Verrouillage de sécurité. Aucune combinaison d'activations de PC et de gâchette ne permettra à l'outil de cycler ou de se déclencher. Si l'outil fonctionne en Mode de verrouillage de sécurité, contacter Campbell Hausfeld pour le support technique et ne pas utiliser la cloueuse avant la réparation.

POINTE DE CONTACT (PC)

⚠ ATTENTION

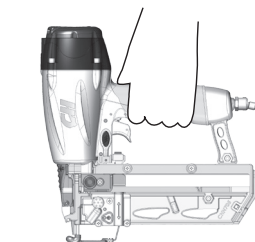
Vérifier le fonctionnement du mécanisme de déclenchement de la pointe contact (PC) avant chaque utilisation. La PC doit se déplacer librement sans grippage à travers toute la distance de déplacement. Le ressort de la PC doit ramener la PC à sa position entièrement sortie après l'avoir enfoncé. Ne pas faire fonctionner la cloueuse si le mécanisme de déclenchement de la PC ne fonctionne pas correctement. Des blessures graves pourraient en résulter.

1. Débrancher l'alimentation d'air de la cloueuse.
2. S'assurer que la gâchette et la pointe de contact (PC) se déplacent librement vers le haut et vers le bas sans coller ou gripper.

REMARQUE : Si l'outil n'est pas chargé de clous, la fonction anti décharge à sec ne permettra pas d'enfoncer la pointe de contact.

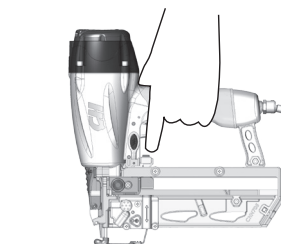
3. Rebrancher l'alimentation d'air à la cloueuse.

Enfoncer d'abord la PC...



Surface de travail

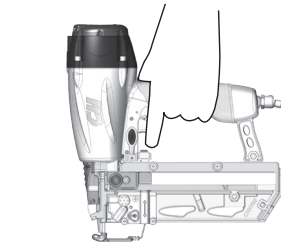
Puis tirer la gâchette...



Surface de travail

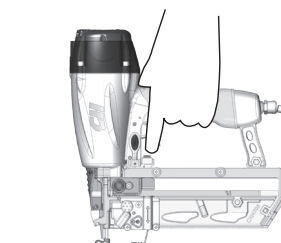
Figure 14 - Mode séquentiel

Tirer la gâchette d'abord...



Surface de travail

Puis enfoncer la PC.



Surface de travail

Figure 15 - Mode de contact

Pré-opération (suite)

4. Utiliser une retaille de bois comme surface de travail.
5. Enfoncer la PC contre la surface de travail sans tirer la gâchette (Voir la Figure 16). La cloueuse **NE DOIT PAS ÊTRE EN MARCHÉ**. Ne pas utiliser l'outil s'il fonctionne sans tirer la gâchette. Des blessures pourraient en résulter.
6. Retirer la cloueuse de la surface de travail. La PC doit revenir à sa position originale vers le bas. Tirer la gâchette (voir la Figure 17) La cloueuse **NE DOIT PAS ÊTRE EN MARCHÉ**. Ne pas utiliser l'outil s'il fonctionne en le relevant de la surface de travail. Des blessures pourraient en résulter.
7. Tirer la gâchette et enfoncer la PC contre la surface de travail. La cloueuse **DOIT FONCTIONNER** en mode de contact. La cloueuse **NE DOIT PAS** fonctionner si elle est en mode séquentiel.
8. Enfoncer la PC contre la surface de travail. Tirer la gâchette. La cloueuse **DOIT ÊTRE EN MARCHÉ**.
9. Faire passer la cloueuse dans l'autre Mode tel que décrit dans la section Modes d'opération et répéter.

IMPORTANT : Répéter les étapes une à neuf avec l'outil en Mode de verrouillage de sécurité. L'outil **NE DOIT PAS** être en marche à toute étape. Si l'outil fonctionne en Mode de verrouillage de sécurité, contacter Campbell Hausfeld pour le support technique.

INTERRUPTEUR MARCHÉ/ARRÊT ÉLECTRONIQUE

Sous le dessus de la prise de caoutchouc, on voit un interrupteur MARCHÉ/ARRÊT pour les fonctions électroniques de l'outil, des DEL indiquant une faible quantité de clous et un laser de placement de clou (voir la Figure 18).

Pour utiliser la fonction, agripper l'outil fermement par la poignée, tout en enfonçant l'interrupteur. Le courant est maintenu de 5 à 10 secondes après avoir dégagé l'interrupteur pour fournir une fonction continue et sans interruption durant les ajustements de prise de l'utilisateur qui pourraient dégager temporairement l'interrupteur.

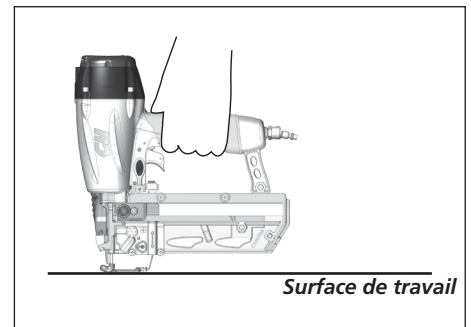


Figure 16

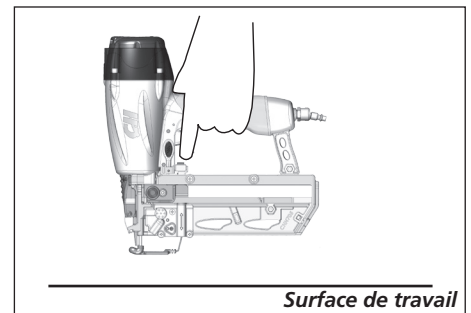


Figure 17

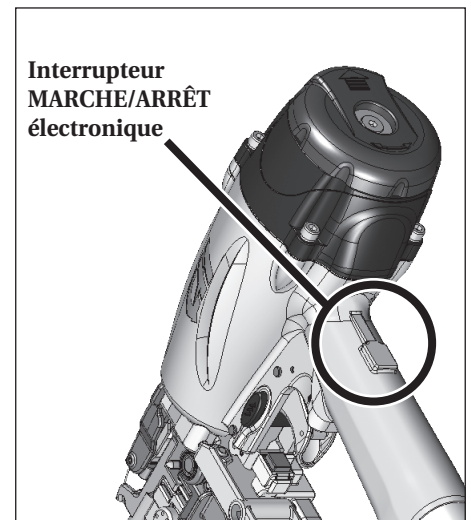


Figure 18 - Interrupteur MARCHÉ/ARRÊT électronique

Utilisation

BAGUETTE LASER DE PLACEMENT DE CLOU

L'outil est doté d'un laser monté près de la buse. Mettre l'interrupteur électronique à la position **ON**. Lorsque la pointe de contact (PC) touche la pièce de travail et se déplace un peu, le laser brillera sur le point où l'on enfoncera le clou. Ceci se voit à travers les fentes larges de la PC et / ou l'embout anti-marques. Lorsque le laser est à l'endroit voulu, enfoncez tout simplement la PC et déclenchez l'outil.

⚠ DANGER

Ceci est un produit au laser de classe IIIA qui émet un rayonnement laser. Ne jamais regarder directement le faisceau ni regarder avec les instruments optiques.

UTILISER LA CLOUEUSE

1. Charger les attaches (voir la section Charger/décharger la cloueuse).
2. Brancher l'alimentation d'air de la cloueuse.

⚠ AVERTISSEMENT

Il ne faut pas utiliser d'outil qui fonctionne mal. Ne pas activer l'outil à moins qu'il ne soit placé fermement contre la pièce de travail.

En mode séquentiel

Enfoncer entièrement le côté de l'interrupteur de conversion “” pour activer le Mode Séquentiel.

1. Enfoncer un peu la Pointe de contact (PC) contre la surface de travail.
2. La baguette laser brillera sur un point où le clou sera enfoncé lorsque la PC touche un peu la surface de travail.
3. Enfoncer complètement la PC.
4. Tirer la gâchette. L'attache entrera dans la pièce de travail.

En mode de contact

Enfoncer entièrement le côté de l'interrupteur de conversion “” pour activer le Mode de Contact.

1. Retirer l'outil de la surface de travail. **NE PAS** pointer l'outil vers soi-même ou les autres.
2. Tirer la gâchette.
3. Enfoncer fermement la pointe de contact (PC) contre la surface de travail. L'outil cyclera.
4. Retirer l'outil de la surface de travail. Déplacer l'outil vers la section suivante où l'on doit enfoncer une attache et répéter.

VOYANTS INDICATEURS DE FAIBLE QUANTITÉ DE CLOUS (Voir la Figure 20)

L'outil est doté de voyants d'un côté ou l'autre de l'outil près de la buse. Mettre l'interrupteur électronique à la position on. Lorsque le compte de clous est de 10 clous ou moins dans le chargeur, les voyants deviennent jaunes. On peut recharger à ce moment (Voir la section Charger la cloueuse). Lorsqu'il ne reste que 5 clous environ, l'anti décharge à sec s'engagera et les voyants passent au rouge il faudra recharger à ce moment.

NIVEAU À BULLES

L'outil est doté d'un niveau à bulles qui se trouve sur le chapeau de tête. Lorsque le pistolet est en position d'entraînement horizontale, on peut observer facilement s'il est à niveau et contrôlé en alignant simplement l'outil d'une manière pour que la bulle soit entre les marques centrales sur la longueur du niveau. Cela est aussi vrai dans une orientation d'entraînement vertical vers le bas en alignant l'outil pour que la bulle soit centrée dans la marque circulaire sur le dessus du niveau.

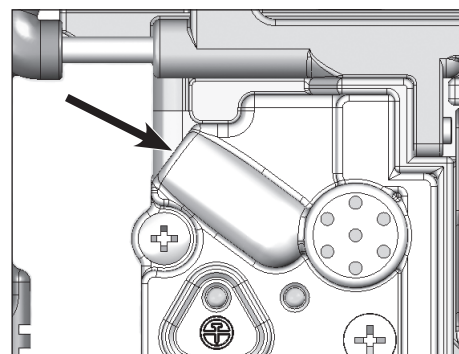


Figure 19 - Baguette laser

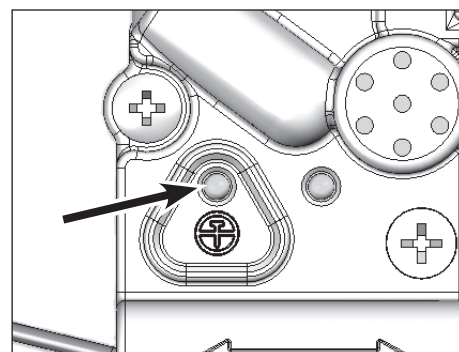


Figure 20 - Voyants indicateurs de faible quantité de clous

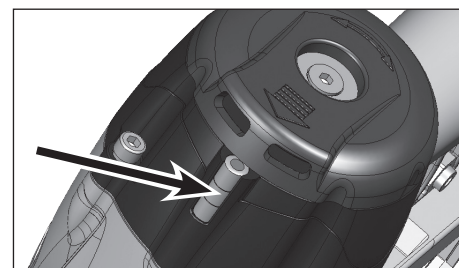


Figure 21 - Niveau à bulles

Utilisation (suite)

LOCALISATEUR DE POTEAUX

Pour trouver les poteaux des murs, l'embout anti-marques agit aussi comme pratique localisateur de poteaux fonctionnant de la même façon que la plupart des localisateurs de poteaux.

1. Débrancher l'outil de l'alimentation d'air.
2. S'il n'est pas encore installé, mettre l'embout anti-marques sur la pointe de contact (PC).
3. Charger l'outil d'attaches (voir la section Charger l'outil).
4. Rebrancher l'outil à l'alimentation d'air. Mettre l'interrupteur électronique à la position « ON » (marche).
5. Presser à peine l'embout contre le mur où il n'y a pas de poteau près de l'endroit. Enfoncer le bouton d'utilisation du localisateur de poteaux et tenir (voir la Figure 22). La « plaque » du localisateur de poteaux doit être à plat contre le mur.
6. Le localisateur de poteaux devrait bipper et le voyant du localisateur devrait passer au rouge pendant une seconde en calibrant. Le voyant passe ensuite au vert. **NE PAS** déplacer l'outil lorsque le localisateur de poteaux calibre (voir la Figure 23).
7. Lorsque le voyant passe au vert, commencer à glisser la PC enfoncée sur le mur pour « chercher » les poteaux. Lorsque le localisateur est près du bord d'un poteau, le voyant du localisateur commence à clignoter rapidement en rouge, puis on entend un bip rapide (voir la Figure 23).
8. En passant directement sur un poteau, le localisateur émet un bip et le voyant passe au rouge (voir la Figure 23).

Pour éviter tout épuisement de pile, mettre l'interrupteur électronique à la position « OFF » (arrêt) lorsqu'il n'est pas utilisé.

REMARQUE : Si l'embout est placé directement sur un poteau durant le calibrage, il ne calibrera pas correctement. Dans ce cas, choisir un autre endroit sur le mur pour calibrer l'outil avant de l'utiliser.

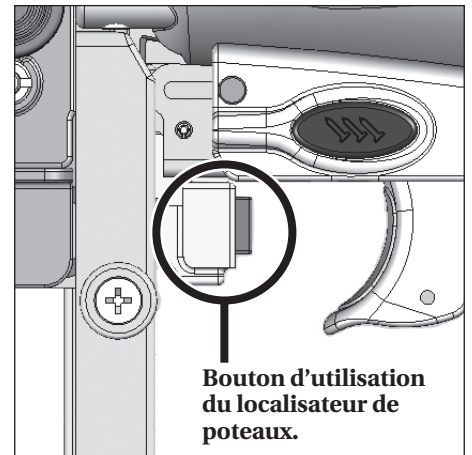


Figure 22

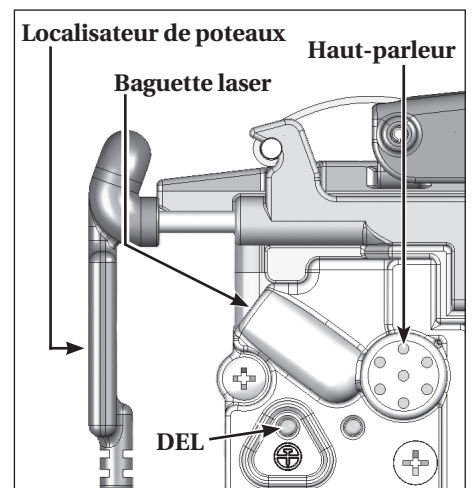


Figure 23

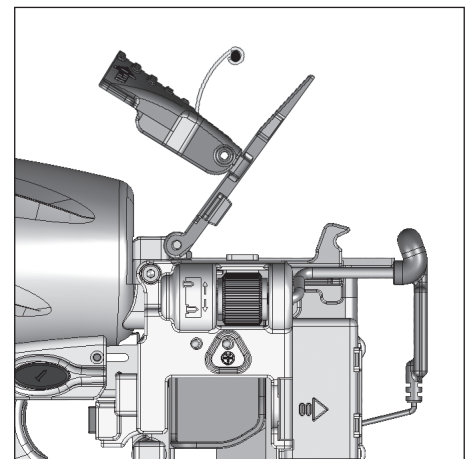


Figure 24 - Débloquer

Rangement

La cloueuse doit être rangée dans un endroit frais et sec et les piles retirées pour un rangement à long terme.

Entretien

DÉBLOQUER LA CLOUEUSE (voir la Figure 24)

1. Débrancher la cloueuse de l'alimentation d'air
2. Retirer tous les clous du chargeur (Voir Charger/Décharger). Ne pas le faire pourrait mener à une éjection des clous de l'avant de la cloueuse.
3. Ouvrir le verrou en tirant le couvercle dans la direction indiquée.
4. La porte peut maintenant tourner exposant l'attache bloquée.
5. Retirer l'attache bloquée, utilisant des pinces ou un tournevis si requis.
6. Tourner la porte à nouveau pour la fermer.
7. Sortir le verrou et placer sur les crochets de la buse.
8. Fermer le verrou en poussant le verrou vers le haut et vers l'intérieur jusqu'à ce que le verrou s'enclenche en place.
9. Charger les clous.
10. S'assurer que la gâchette et la pointe de contact (PC) se déplacent librement vers le haut et vers le bas sans coller ou gripper.

Entretien (suite)

RÉPARATION DE LA CLOUEUSE

Seul un personnel qualité doit réparer l'outil et il doit utiliser des pièces de rechange et des accessoires authentiques de Campbell Hausfeld, ou des pièces et accessoires d'une performance équivalente.

PIÈCES DE RECHANGE

⚠ AVERTISSEMENT

Utiliser seulement des pièces de rechange de Campbell Hausfeld. La performance de l'outil, la sécurité et la durabilité pourraient être réduites avec des pièces inappropriées. En commandant des pièces, spécifier le numéro de pièce.

REPLACEMENT DE PILES

⚠ AVERTISSEMENT

Toujours débrancher l'outil de la source de courant lorsqu'il est sans supervision, pour effectuer son entretien ou des réparations, pour débloquer, charger, décharger ou déplacer l'outil vers un nouvel endroit.

Les éléments électroniques sur l'outil (voyants indicateurs de faible quantité de clous et baguette laser de placement de clou) fonctionnent à partir de deux (2) piles AAA dans le compartiment à l'arrière du chargeur. Lorsque le courant des piles s'épuise et si elles doivent être remplacées, les fonctions électroniques pourraient ne pas fonctionner correctement ou ne pas fonctionner. Débrancher l'outil de la source d'air et retirer le couvercle du compartiment de piles en pressant la patte de verrouillage et en sortant. Insérer deux (2) nouvelles piles dans la bonne direction. Ne pas mélanger de piles neuves et usées. Fermer le couvercle.

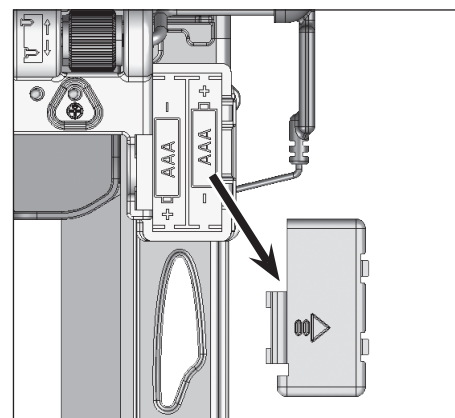


Figure 25 - Remplacement de piles

PROCÉDURE D'ASSEMBLAGE POUR LES JOINTS

En réparant une cloueuse, les pièces internes doivent être nettoyées et lubrifiées. Il faut utiliser le Parker O-lube ou un produit équivalent sur tous les joints toriques. Chaque joint torique doit être recouvert de O-lube avant l'assemblage. Il faut utiliser une petite quantité d'huile sur toutes les surfaces et pivots mobiles.

SERVICE TECHNIQUE

Pour obtenir de l'information sur le fonctionnement ou la réparation de ce produit, appeler le 1-800-543-6400.

INFORMATION SUR LES ATTACHES INTERCHANGEABLES

Les attaches utilisées dans la cloueuse de finition angulaire Campbell Hausfeld CHN70500 fonctionneront aussi dans les marques suivantes :

- Campbell Hausfeld NB0064
- Craftsman 18175, 18314
- Porter Cable FN250
- Ridgid R250SFA
- Senco Finish Pro 32

ATTACHES

Les pointes de vitrier Campbell Hausfeld sont disponibles dans les quincailleries locales. Pour de l'aide pour trouver tout article, appeler le service à la clientèle au 1-800-543-6400. Les pointes de vitrier Campbell Hausfeld répondent ou dépassent la norme ASTM F1667.

Modèle N°	Longueur	Jauge à tige	Finition	Tête	Collation	Clous par bâtonnet	Clous par boîte
FB005060	2 po	Jauge 16	Galvanisé	Étêté	Adhésif	50	2500
FB160025	1 po	Jauge 16	Galvanisé	Étêté	Adhésif	50	1000
FB160040	1-1/2 po	Jauge 16	Galvanisé	Étêté	Adhésif	50	1000
FB160050	2 po	Jauge 16	Galvanisé	Étêté	Adhésif	50	1000
FB160065	2-1/2 po	Jauge 16	Galvanisé	Étêté	Adhésif	50	1000

Guide de dépannage

AVERTISSEMENT

Cessez l'utilisation de la cloueuse immédiatement en cas des problèmes suivants, car il résulte un risque de blessures graves. Toutes réparations doivent être effectuées par un Technicien Qualifié ou par un Centre De Service Autorisé.

SYMPTÔME	CAUSE(S) POSSIBLE(S)	ACTION CORRECTIVE
Fuite d'air à la soupape de gâchette	Joint toriques endommagés dans le boîtier de soupape de gâchette	Remplacer les joints toriques Vérifier le fonctionnement de la pointe de contact (PC)
Fuite d'air entre le boîtier et la buse	1. Joint toriques et / ou garnitures endommagés 2. Dommages au butoir	1. Remplacer les joints toriques et / ou garnitures 2. Remplacer le butoir
Fuite d'air entre le boîtier et le chapeau	1. Vis desserrées 2. Joint d'étanchéité endommagé	1. Resserrer les vis 2. Remplacer le joint d'étanchéité
La cloueuse passe l'entraînement d'attache	1. Butoir usé 2. Poussière dans la pièce de la buse 3. La saleté ou les dommages empêchent les attaches ou le poussoir de se déplacer librement dans le chargeur 4. Ressort de poussoir endommagé 5. Circulation d'air inadéquate à la cloueuse 6. Joint torique usé sur le piston ou manque de lubrification 7. Joint toriques endommagés sur la soupape de gâchette 8. Fuites d'air	1. Remplacer le butoir 2. Nettoyer la voie d'entraînement 3. Nettoyer le chargeur 4. Remplacer le ressort 5. Vérifier le raccord, le boyau ou le compresseur 6. Remplacer les joints d'étanchéité du piston 7. Remplacer les joints toriques 8. Resserrer les vis et les raccords
La cloueuse tourne lentement ou a perdu de puissance	1. La cloueuse non lubrifiée suffisamment 2. Ressort brisé dans le bouchon du cylindre 3. Le port d'échappement dans le bouchon est bloqué	1. Lubrifier la cloueuse 2. Remplacer le ressort 3. Remplacer les pièces internes endommagées
Les clous sont bloqués dans la cloueuse	1. Le guide d'entraînement est usé 2. Les clous ne sont pas du bon type 3. Les clous sont pliés 4. Le chargeur ou les vis de la buse sont desserrés 5. L'entraîneur est endommagé 6. Les clous sont mal chargés	1. Remplacer le guide 2. Utiliser seulement les clous recommandés 3. Remplacer par des clous non endommagés 4. Resserrer les vis 5. Remplacer l'entraînement 6. Revoir la section Charger / Décharger du manuel
Laser, indicateurs de faible quantité de clous, et / ou localisateurs de poteaux ne fonctionnent pas	1. Interrupteur du système d'alimentation dans la prise non enfoncé 2. Les piles doivent être remplacées 3. Les composants non remplacés correctement durant le réassemblage après l'entretien des clients 4. Le laser ne se mettra pas en marche parce que la PC n'est pas enfoncée seulement un peu 5. Le localisateur de poteaux n'est pas exact	1. Mettre l'interrupteur en marche 2. Remplacer les piles (voir la section « Changer les piles ») 3. Revoir les vues de pièces pour obtenir de l'aide pour un réassemblage approprié 4. Enfoncer la PC à la surface de travail 5. S'assurer que la plaque du capteur du localisateur de poteaux est à plat contre le mur

Pour pièces de rechange ou assistance technique, appeler 1-800-543-6400

S'il vous plaît fournir l'information suivante :

- Numéro de modèle
- Code imprimé sur l'outil
- Description de la pièce et son numéro

Adresser toute correspondance à :

Campbell Hausfeld
 Attn: Customer Service
 100 Production Drive
 Harrison, OH 45030 U.S.A.

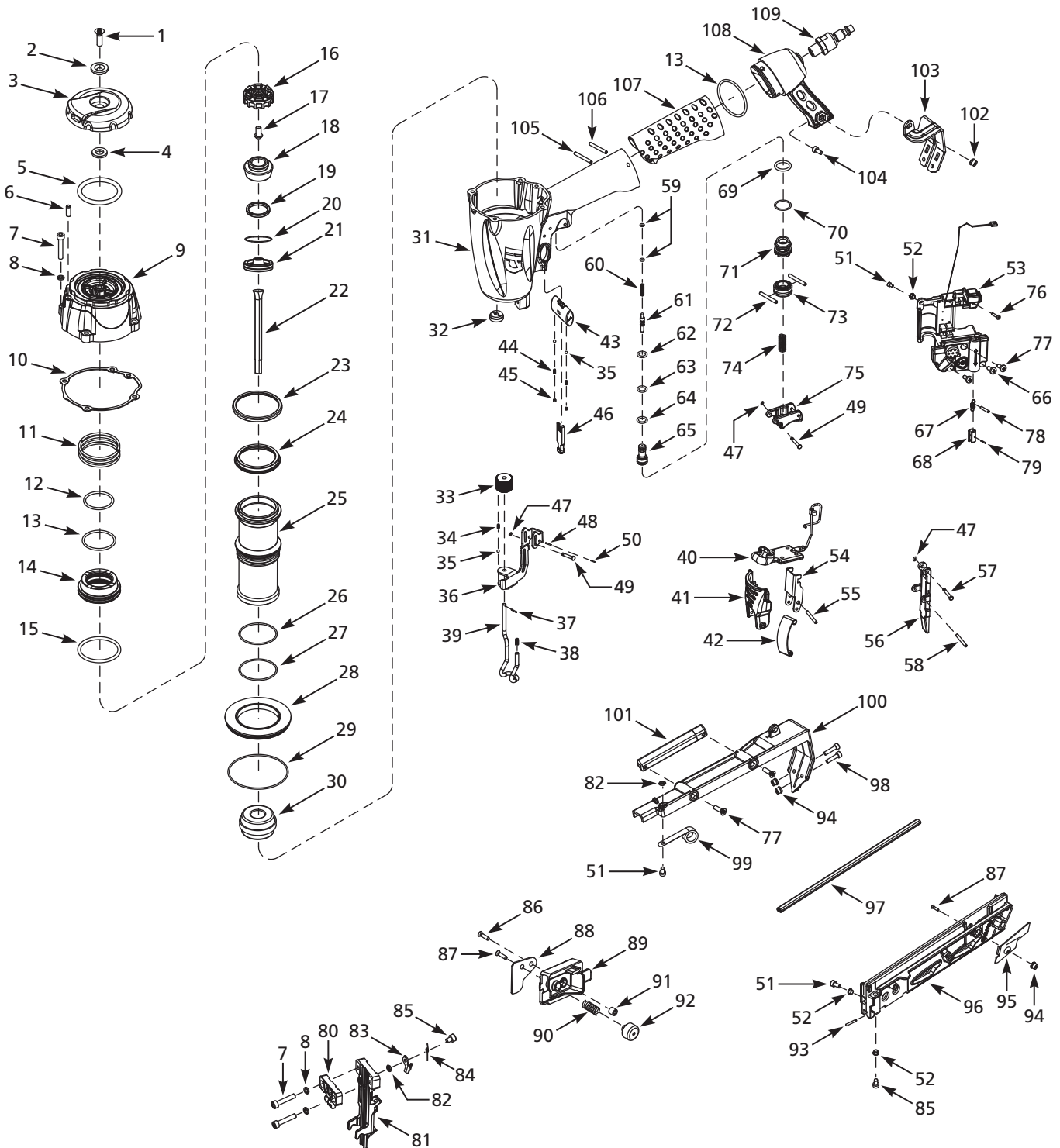


Figure 26 - Illustration des pièces de réparation pour la cloueuse droite de finition, modèle CHN70500AV

Mémento: Gardez votre preuve datée d'achat à fin de la garantie! Joignez-la à ce manuel ou classez-la dans un dossier pour plus de sécurité.

Garantie Limitée

1. DURÉE: À partir de la date d'achat par l'acheteur original comme suit - Un An.
2. GARANTIE ACCORDÉE PAR (GARANT): Campbell Hausfeld/Scott Fetzer Company, 100 Production Drive, Harrison, Ohio, 45030, Téléphone: (800) 543-6400
3. BÉNÉFICIAIRE DE CETTE GARANTIE (ACHETEUR): L'acheteur original (sauf en cas de revente) du produit Campbell Hausfeld.
4. PRODUITS COUVERTS PAR CETTE GARANTIE: Tous les outils de fixation (cloueuses et agrafeuses), outils pneumatiques, pistolets vaporisateurs, gonfleurs ou accessoires pneumatiques Campbell Hausfeld qui sont fournis par ou fabriqués par le Garant.
5. COUVERTURE DE LA PRÉSENTE GARANTIE: Défauts de matière et de fabrication considérables qui se révèlent pendant la période de validité de la garantie.
6. LA PRÉSENTE GARANTIE NE COUVRE PAS:
 - A. Les garanties implicites, y compris celles de commercialisabilité et D'ADAPTION À UNE FONCTION PARTICULIÈRE SONT LIMITÉES À PARTIR DE LA DATE D'ACHAT INITIALE TELLE QU'INDIQUÉE DANS LA SECTION DURÉE. Si ce produit est utilisé pour une fonction commerciale, industrielle ou pour la location, la durée de la garantie sera quatre-vingt-dix (90) jours à compter de la date d'achat. Quelques Provinces (États) n'autorisent pas de limitations de durée pour les garanties implicites. Les limitations précédentes peuvent donc ne pas s'appliquer.
 - B. TOUT DOMMAGE, PERTE OU DÉPENSE FORTUIT OU INDIRECT POUVANT RÉSULTER DE TOUT DÉFAUT, PANNE OU MAUVAIS FONCTIONNEMENT DU PRODUIT CAMPBELL HAUSFELD. Quelques Provinces (États) n'autorisent pas l'exclusion ni la limitation des dommages fortuits ou indirects. La limitation ou exclusion précédente peut donc ne pas s'appliquer.
 - C. Toute panne résultant d'un accident, d'une utilisation abusive, de la négligence ou d'une utilisation ne respectant pas les instructions données dans le(s) manuel(s) accompagnant le produit. Un accident, l'utilisation abusive par l'acheteur, la négligence ou le manque de faire fonctionner les produits selon les instructions comprend aussi l'enlèvement ou la modification de n'importe quel appareil de sûreté. Si ces appareils de sûreté sont enlevés ou modifiés, la garantie sera annulée.
 - D. Réglages normaux qui sont expliqués dans le(s) manuel(s) d'utilisation accompagnant le produit.
 - E. Articles ou services qui sont exigés pour l'entretien du produit; Joints torique, ressorts, amortisseurs, écrans de débris, lames d'entraînement, fusibles, batteries, joints d'étanchéité, garnitures ou joints, buses de fluide, aiguilles, buses de sablage, graisses, tuyaux de matériaux, cartouches filtrantes, pales de moteur, abrasifs, lames, meules de coupage, burins, fixe-burins, coupeuses, douilles de serrage, mandrins, mâchoires de rivet, lames de tournevis, tampons de sablage, tampons de sauvegarde, mécanisme de percussion ou toute pièce qui n'est pas indispensable et qui n'est pas indiquée. Ces articles seront couverts pour quatre-vingt-dix (90) jours à partir de la date d'achat original. Les articles soulignés sont garanties pour défauts de matière et de fabrication seulement.
7. RESPONSABILITÉS DU GARANT AUX TERMES DE CETTE GARANTIE: Réparation ou remplacement, au choix du Garant, des produits ou pièces qui se sont révélés défectueux pendant la durée de validité de la garantie.
8. RESPONSABILITÉS DE L'ACHETEUR AUX TERMES DE CETTE GARANTIE:
 - A. Fournir une preuve d'achat datée et un état d'entretien.
 - B. Appelez Campbell Hausfeld (800) 543-6400 pour obtenir vos options de service sous garantie. Les frais de transport sont la responsabilité de l'acheteur.
 - C. Utilisation et entretien du produit avec un soin raisonnable, ainsi que le décrit le(s) manuel(s) d'utilisation.
9. RÉPARATION OU REMPLACEMENT EFFECTUÉ PAR LE GARANT AUX TERMES DE LA PRÉSENTE GARANTIE: La réparation ou le remplacement sera prévu et exécuté en fonction de la charge de travail dans le centre de service et dépendra de la disponibilité des pièces de rechange.

Cette Garantie Limitée s'applique aux É.-U., au Canada et au Mexique seulement et vous donne des droits juridiques précis. L'acheteur peut également jouir d'autres droits qui varient d'une Province, d'un État ou d'un Pays à l'autre.



Clavadora Derecha para Acabado

Manual de Instrucciones y Lista de Piezas

CHN70500



ENGLISH: Page 1
FRANÇAISE: Page 21

IN729900AV 6/10
© 2010 Campbell Hausfeld/Scott Fetzer



LE FACILITA TRABAJAR COMO UN PROFESIONAL

chpower.com

Download from www.Somanuals.com. All Manuals Search And Download.

Índice

Descripción.....	S-43	Para cargar y descargar la clavadora.....	S-51
Especificaciones.....	S-43	Para cargar la clavadora.....	S-51
Medidas de seguridad.....	S-44	Para descargar la clavadora....	S-51
Símbolos de seguridad.....	S-44	Ajuste de la penetración del clavo.....	S-51
Importantes instrucciones de seguridad.....	S-44	Ajuste de la dirección de la salida..	S-51
Instrucciones sobre peligro de incendios, choque eléctrico o lesiones personales.....	S-44	Instalación y remoción de la punta antirrayones y detectora de montantes.....	S-51
Proposición 65 de California....	S-44	Previo al funcionamiento.....	S-52
General.....	S-44	Modos de funcionamiento.....	S-52
Área de trabajo.....	S-44	Modo de secuencia.....	S-52
Seguridad personal.....	S-45	Modo de contacto.....	S-52
Seguridad eléctrica.....	S-45	Modo de bloqueo de seguridad..	S-52
Uso y cuidado de la herramienta..	S-45	Elemento de contacto de trabajo (WCE).....	S-52
Servicio.....	S-47	Interruptor de ON/OFF (encendido/apagado) para funciones electrónicas.....	S-53
Suministro de aire.....	S-47	Funcionamiento.....	S-54
Desempaque.....	S-47	Puntero láser para la ubicación de clavos.....	S-54
Contenidos.....	S-47	Disparo de la clavadora.....	S-54
Artículos adicionales no incluidos.....	S-47	Luces indicadoras de bajo nivel de clavos.....	S-54
Ensamblaje.....	S-47	Nivel de burbuja.....	S-54
Glosario.....	S-48	Detector de montantes.....	S-55
Conozca su clavadora derecha para acabados como un profesional....	S-49	Almacenamiento.....	S-55
Características.....	S-49	Mantenimiento.....	S-55
Anti disparo sin carga.....	S-49	Cómo desobstruir la clavadora...	S-55
Punta antirrayones flotante/ detectora de montantes.....	S-49	Reparación de la clavadora.....	S-55
Luces indicadoras de bajo nivel de clavos.....	S-49	Piezas de repuesto.....	S-56
Puntero láser para la ubicación de clavos.....	S-49	Reemplazo de las pilas.....	S-56
Nivel de burbuja.....	S-49	Procedimiento de ensamblaje para los sellos.....	S-56
Configuración.....	S-50	Servicio técnico.....	S-56
Lubricación.....	S-50	Información de intercambio de sujetadores.....	S-56
Componentes mínimos necesarios para la conexión.....	S-50	Sujetadores.....	S-56
Instrucciones para la conexión de la clavadora al suministro de aire.....	S-50	Guía de resolución de problemas..	S-57
Requerimientos para la manguera de aire.....	S-50	Lista de piezas de repuesto para la clavadora angular para acabado.....	S-58 - S-59
		Garantía.....	S-60

Por información sobre piezas, productos y servicios

LLAME: Atención al cliente al 1-800-543-6400

DIRIJA TODA LA CORRESPONDENCIA A: Campbell Hausfeld
Attn: Customer Service
100 Production Drive
Harrison, OH 45030 U.S.A.



Clavadora Derecha para Acabado



Descripción

Esta clavadora está diseñada para contramarcos decorativos, molduras, contramarcos de puertas y ventanas, chambranas, instalación de montantes de puertas, y ensamblaje de marcos de cuadros. Las características incluyen: práctico cargador de carga trasera con una capacidad de hasta 110 clavos, punta antirrayones flotante con función de detección de montantes, boquilla de desobstrucción rápida, profundidad ajustable del mecanismo de accionamiento, no necesita aceite, indicador electrónico de nivel bajo de clavos, puntero láser para la ubicación de clavos, cargador en línea, nivel de burbuja, mecanismo contra disparos vacíos, gatillo de conversión con bloqueo de seguridad, cómodo mango de goma, conector giratorio, y orificio de salida de aire ajustable.

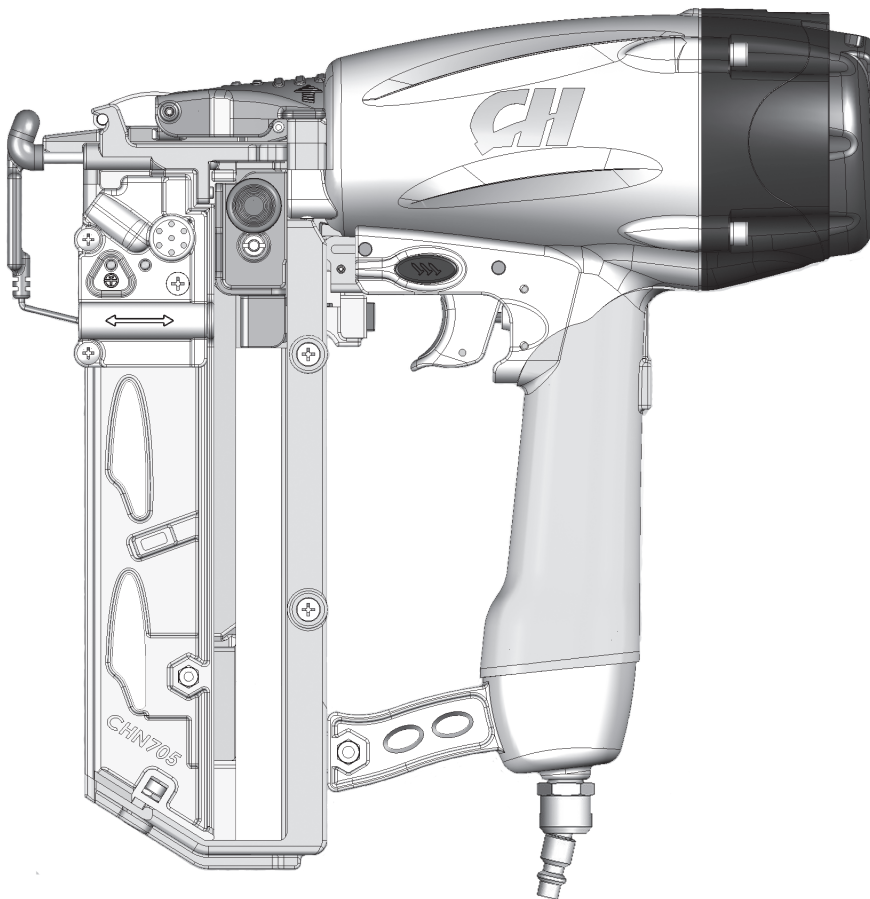


Figura 1 - CHN70500 Clavadora Derecha para Acabado

Especificaciones

Modelo CHN70500

Requiere: 0,02 m³/min (0,7 PCNM) prom. con 10 sujetadores por minuto a 6,21 bar (90 psi)

Entrada de Aire: 6,4 mm NPT (1/4 pulg.)

Tamaños de los sujetadores: 1 pulg. a 2-1/2 pulg. (2,54 a 6,35 cm) puntillas para acabado calibre 16

Capacidad del cargador: 110 sujetadores por carga

Peso: 2,4 kg (5 lbs., 5 oz.)

Longitud: 33,02 cm (13 inches)

Altura: 30,48 cm (12 inches)

Presión Máxima: 8,27 bar

Rango de la Presión: 4,83 bar - 8,27 bar

Pilas: Dos (2) AAA

Láser: Clase IIIA

Longitud de onda: 640 nm - 660 nm

Potencia radiante: 1,53 < 5 mW

Localice el número de modelo y el código de fecha en el cargador y/o cuerpo de la herramienta. Regístrelo a continuación:

Nº de modelo: _____

Código de fecha: _____

Guarde estos números para referencia futura.

Medidas de Seguridad

Este manual contiene información que es muy importante que se conozca y comprenda. Esta información se proporciona con fines de SEGURIDAD y para EVITAR PROBLEMAS CON EL EQUIPO.

Para ayudar a reconocer esta información, observe los siguientes símbolos.

▲ PELIGRO Peligro indica una situación inminentemente peligrosa, que si no se evita, dará como resultado la muerte o lesiones graves.

▲ ADVERTENCIA Advertencia indica una situación potencialmente peligrosa, que si no se evita, PODRÍA ocasionar la muerte o lesiones graves.

▲ PRECAUCION Precaución indica una situación potencialmente peligrosa, que si no se evita, PUEDE dar como resultado lesiones leves o moderadas.

AVISO Aviso indica una información importante, que de no seguirla, le podría ocasionar daños al equipo.

NOTA: Información que requiere atención especial.

Símbolos de seguridad

Los siguientes símbolos de seguridad aparecen a lo largo de este manual para advertirle de importantes peligros y precauciones de seguridad.



Use protección para los ojos y máscara



Lea primero el manual



Riesgo de lesiones personales



Riesgo de caída



Use protección para los ojos



Use protección para los oídos



Riesgo de incendio



Riesgo de explosión



Riesgo de choque eléctrico

Importantes Instrucciones De Seguridad

INSTRUCCIONES EN REFERENCIA AL PELIGRO DE INCENDIOS, CHOQUE ELÉCTRICO O LESIONES PERSONALES

Este manual contiene información sobre seguridad, funcionamiento y mantenimiento. Si tiene preguntas, llame al 1-800-543-6400 para obtener asistencia al cliente.

▲ ADVERTENCIA Cuando se usen herramientas, siempre se deberán seguir precauciones básicas, incluyendo las siguientes:

PROPOSICIÓN 65 DE CALIFORNIA

▲ ADVERTENCIA Este producto, o su cordón eléctrico, puede contener productos químicos conocidos por el estado de California como causantes de cáncer y defectos de nacimiento u otros daños reproductivos. Lave sus manos después de usar.

▲ ADVERTENCIA Cuando corta lija, taladra o pule materiales como por ejemplo madera, pintura, metal, hormigón, cemento, u otro tipo de mampostería se puede producir polvo. Con frecuencia este polvo contiene productos químicos que se conocen como causantes de cáncer, defectos congénitos u otros daños reproductivos. Use equipo de protección.



GENERAL

- Para reducir el riesgo de choque eléctrico, incendio y lesiones personales, lea todas las instrucciones antes de usar la herramienta. Si no respeta las advertencias, los riesgos y las recomendaciones, eso podría resultar en la MUERTE o en LESIONES GRAVES.
- Familiarícese con los controles y el uso adecuado del equipo. Siga todas las instrucciones. Póngase en contacto con su representante Campbell Hausfeld si tiene alguna pregunta.
- Sólo se les debe permitir usar esta unidad a aquellas personas bien familiarizadas con estas reglas de manejo seguro.



▲ ADVERTENCIA No opere la clavadora ni permita que otros la operen si las etiquetas de advertencia están ilegibles. Éstas se encuentran en el cargador o el cuerpo de la clavadora.

▲ ADVERTENCIA Siempre asuma que la clavadora tiene clavos. Respete la herramienta como un implemento de trabajo; no juegue con ella. Siempre mantenga a los demás a una distancia segura del área de trabajo, en caso de una descarga accidental de clavos. No apunte con la herramienta hacia usted o hacia otra persona, ya sea que contenga o no clavos. El disparo accidental de la clavadora podría resultar en la muerte o en graves lesiones personales.

▲ PRECAUCION No haga ninguna modificación a la herramienta sin obtener primero la aprobación por escrito de Campbell Hausfeld. No use la clavadora si le faltan alguna de las tapas protectoras o si éstas han sido modificadas. No use la clavadora como un martillo. Se pueden producir lesiones personales o daños a la herramienta.

AVISO Limpie y cheque todas las mangueras de suministro de aire y conexiones antes de conectar la clavadora al compresor. Reemplace las mangueras y conexiones que estén dañadas o desgastadas. El rendimiento de la herramienta o su durabilidad podrían reducirse.

ÁREA DE TRABAJO

- Mantenga el área de trabajo limpia y bien iluminada. Los bancos desordenados y las áreas oscuras aumentan el riesgo de choque eléctrico, incendio y lesiones personales.
- No haga funcionar la herramienta en entornos explosivos, como por ejemplo cuando haya polvo, líquidos o gases inflamables. La herramienta puede crear chispas y provocar la ignición de polvo o vapores.
- Mantenga alejados a los observadores, niños y visitantes mientras hace funcionar la herramienta. Las distracciones pueden dar como resultado la pérdida del control de la herramienta.



Importantes Instrucciones De Seguridad (Continuación)

SEGURIDAD PERSONAL

- a. **Manténgase alerta. Mire lo que está haciendo y use el sentido común cuando haga funcionar la herramienta. No use la herramienta si está cansado o bajo la influencia de drogas, alcohol o medicamentos.** Un momento de desatención mientras hace funcionar la herramienta aumenta el riesgo de lesiones personales.
- b. **Vístase adecuadamente. No use alhajas ni vestimenta suelta. Sujétese el cabello largo. Mantenga el cabello, vestimenta y guantes alejados de las piezas móviles.** La vestimenta suelta, las alhajas o el cabello largo aumentan el riesgo de lesiones personales como resultado de quedar atrapados en las piezas móviles.
- c. **No intente alcanzar lugares alejados. Mantenga un buen soporte y equilibrio en todo momento.** Un soporte y equilibrio adecuados permiten un mejor control de la herramienta en situaciones inesperadas.
- d. **Use equipo de seguridad.** Se debe usar una máscara para polvo, calzado de seguridad antideslizante y casco para las condiciones que se apliquen.



ADVERTENCIA Asegurarse de que la herramienta se use únicamente cuando el operador y todo el resto del personal en el área de trabajo estén usando equipo de protección ocular ANSI Z87 y demás equipo de protección de cabeza, oídos y pies. Pueden ocasionarse lesiones graves o permanentes de ojos y oídos.



e. **Use siempre una protección para el oído cuando use la herramienta.** La exposición prolongada a ruido de alta intensidad puede causar pérdida de audición.



f. **No ate la manguera ni la herramienta a su cuerpo.** Adjunte la manguera a la estructura para reducir el riesgo de pérdida de equilibrio si la manguera se cambia de posición.

g. **Siempre asuma que la herramienta contiene clavos.** No apunte con la herramienta hacia usted o hacia otra persona, ya sea que contenga clavos o no.



ADVERTENCIA No deje que la herramienta se caiga ni la tire. Ésto podría dañarla o convertirla en algo peligroso de usar. En caso de que la herramienta se haya caído o la hayan tirado, revísela con cuidado a ver si está doblada o rota, si tiene alguna pieza dañada o tiene fugas de aire. DEJE de trabajar y repárela antes de usarla o podría ocasionarle heridas graves.

PRECAUCION Evite trabajar con esta clavadora por largos períodos. Deje de usar la clavadora si siente dolor en las manos o en los brazos.

PRECAUCION Sostenga la herramienta por la superficie de sujeción aislada cuando realice una operación en la que la herramienta o el sujetador puedan entrar en contacto con un cableado oculto. Al entrar en contacto con un cable con corriente las piezas metálicas expuestas de la herramienta conducirán la electricidad y el usuario recibirá un choque eléctrico.

PELIGRO Éste es un producto láser clase IIIA que emite radiación láser.

- h. **Nunca mire directamente el rayo láser ni su reflejo directo.** Los rayos láser son nocivos para los ojos.
- i. **No ajuste la herramienta al nivel de los ojos ni opere la herramienta sobre o cerca de una superficie reflectora.** El rayo láser podría proyectarse en sus ojos o en los de otra persona.



Figura 2

ADVERTENCIA Nunca coloque las manos ni ninguna otra parte del cuerpo en el área de descarga de la clavadora. La clavadora podría disparar un sujetador y podría causar la muerte o una lesión personal grave.



SEGURIDAD ELÉCTRICA

ADVERTENCIA Cambie las pilas únicamente por pilas del mismo tamaño. No mezcle pilas viejas con nuevas. El uso de pilas de otro tamaño puede ocasionar un riesgo de incendio o de lesiones.



ADVERTENCIA El extremo delantero de la herramienta puede conducir corriente si la herramienta entra en contacto con cables con corriente dentro de la pared. PARA EVITAR CHOQUES ELÉCTRICOS ACCIDENTALES, SOSTENGA LA HERRAMIENTA ÚNICAMENTE POR EL MANGO DE SUJECIÓN SUAVE.



USO Y CUIDADO DE LA HERRAMIENTA

a. **No fuerce la herramienta.** Use la herramienta correcta para la aplicación. La herramienta correcta hará el trabajo mejor y en forma más segura a la velocidad para la cual fue diseñada.

ADVERTENCIA Desconecte la herramienta del suministro de aire antes de hacer cualquier ajuste, realizar el mantenimiento de la herramienta, eliminar obstrucciones, tocar la horquilla de seguridad, dejar el área de trabajo, cargar o descargar la herramienta. Estas medidas de precaución reducen el riesgo de lesiones a las personas.

b. **Cuando no esté en uso, guarde la herramienta fuera del alcance de los niños y otras personas no capacitadas.** Una herramienta es peligrosa cuando está en manos de usuarios inexpertos.

c. **Cuide su herramienta. Una herramienta mantenida adecuadamente reduce el riesgo de problemas y es más fácil de controlar.**

d. **Use solo los sujetadores que se enumeran en la sección "Información de intercambio de sujetadores" en la página 56.** Los sujetadores no identificados por el fabricante de la herramienta para ser usados con esta herramienta pueden resultar en un riesgo de lesiones personales o daño a la herramienta cuando se usen en esta herramienta.

Importantes Instrucciones De Seguridad (Continuación)

- e. Trabaje siempre en un área bien ventilada. Use una máscara para polvo aprobada por OSHA.

⚠ ADVERTENCIA *Desconecte siempre la herramienta de la fuente de energía cuando no la esté atendiendo, cuando le esté realizando mantenimiento o reparaciones, desobstruyéndola, cargándola, descargándola o moviéndola a un nuevo sitio.*

⚠ ADVERTENCIA *Siempre ajuste la herramienta con un conector o acoplador de mangueras colocado en o cerca de la herramienta de un modo tal que se descargue todo el aire comprimido en la herramienta en el momento en que se desconecte el conector o el acoplador de mangueras. No use una válvula de retención ni ningún otro conector que permita que el aire permanezca en la clavadora. Eso puede resultar en muerte o graves lesiones personales.*

⚠ ADVERTENCIA *Nunca transporte la clavadora sosteniéndola por la manguera de aire ni tire de la manguera para mover la clavadora o un compresor. Mantenga las mangueras alejadas del calor, aceite y bordes filosos. Cambie las mangueras que estén dañadas, debilitadas o desgastadas. Podrían provocarse daños a la herramienta o lesiones personales.*

⚠ ADVERTENCIA *No clave un clavo encima de otros clavos. El clavo podría rebotar y causar la muerte o una grave herida punzante.*

⚠ ADVERTENCIA *No use la herramienta si el interruptor de energía de la guía láser no enciende o apaga. Cualquier herramienta que no pueda ser controlada con el interruptor es peligrosa y debe repararse.*

- f. Asegúrese de que el interruptor de la guía láser esté en la posición de apagado antes de introducir las pilas. Introducir las pilas en la herramienta con el interruptor en la posición de encendido favorece la ocurrencia de accidentes.

- g. Apague la guía láser antes de realizar ajustes, cambiar los accesorios o guardar la herramienta. Dichas medidas de seguridad preventivas reducen el riesgo de accidentes.

⚠ ADVERTENCIA *Cuando las pilas no están en uso, manténgalas alejadas de objetos de metal como sujetadores, monedas, llaves, clavos o tornillos que puedan hacer una conexión entre las terminales. Hacer un puente entre las terminales de las pilas puede provocar chispas, quemaduras, incendios o daños a las pilas.*

- h. Esta herramienta NO debe modificarse ni usarse para ninguna aplicación que no sea la aplicación para la cual fue diseñada.

- i. Bajo condiciones de abuso, puede salir líquido expulsado de las pilas. Evite el contacto. Si ocurre un contacto accidental, enjuague con agua. Si le entra líquido en los ojos, procure ayuda médica. El líquido expulsado de las pilas puede causar irritación o quemaduras.

⚠ PRECAUCION *El uso de controles o ajustes o la realización de procedimientos que no sean los que se especifican aquí podrían tener como resultado la exposición nociva a la radiación.*

- j. El uso de instrumentos ópticos con este producto aumentará el peligro para los ojos.

- k. Apague el rayo láser cuando no se esté usando o cuando la herramienta se deje sin supervisión.

- l. No quite ninguna etiqueta de la herramienta.

- m. El producto emitirá un rayo láser desde la abertura. Los usuarios del producto deberán limitarse a operadores profesionales. En condiciones de funcionamiento y mantenimiento normales, los operadores deberán usar gafas protectoras para evitar las lesiones en los ojos.

AVISO

No exponga la herramienta a calor extremo.

- n. No la guarde en lugares donde la temperatura pueda alcanzar o exceder los 49 °C (120 °F), como un cobertizo de metal para herramientas o un auto en verano. Esto puede provocar que las pilas se deterioren.

- o. No desarme la herramienta.

- p. Retire las baterías si va a guardar la herramienta durante un período prolongado.

NOTA: la temperatura de la batería aumentará durante el uso y enseguida después de usarla.

Utilice únicamente pilas alcalinas de repuesto nuevas [se precisan 2 (dos) AAA]. No mezcle pilas viejas con nuevas.

Vida útil de almacenamiento de la pila - las pilas incluidas pueden estar levemente gastadas o agotadas dependiendo de cuánto tiempo ha pasado hasta que se compró el producto. No devuelva el producto a la tienda por pilas descargadas, llame a Campbell Hausfeld al 1-800-543-6400 para obtener asistencia.

- q. No modifique ni altere la clavadora ni ninguna de sus piezas. No use la clavadora si se ha quitado o alterado alguna protección. No use la clavadora como martillo. Podrían provocarse daños a la herramienta o lesiones personales.

⚠ PELIGRO *No use ningún tipo de gas inflamable ni oxígeno como fuente de energía para la clavadora. Use únicamente aire comprimido filtrado, lubricado y regulado. El uso de un gas comprimido en vez de aire comprimido puede provocar que la clavadora explote, lo cual puede ocasionar la muerte o graves lesiones personales.*

⚠ PELIGRO *Nunca use gasolina ni ningún otro líquido inflamable para limpiar la clavadora. Nunca use la clavadora cuando haya líquidos o gases inflamables. Los vapores podrían ser encendidos por una chispa y provocar una explosión, la cual dará como resultado la muerte o lesiones personales graves.*

- r. Evite usar la clavadora cuando el cargador esté vacío. La clavadora podría desgastarse de forma acelerada.

⚠ PELIGRO *No modifique ni desactive el Elemento de contacto de trabajo (WCE). No ate ni pegue con cinta el WCE ni apriete el gatillo en una posición en que esté oprimido. Eso puede resultar en muerte o graves lesiones personales.*

⚠ PRECAUCION *Siempre controle que el elemento de contacto de trabajo (WCE) esté funcionando correctamente. Si el WCE no estuviera funcionando de forma adecuada un clavo podría clavarse accidentalmente. Pueden ocurrir lesiones personales.*

⚠ PELIGRO *No toque el gatillo a menos que esté clavando. Nunca conecte la línea de aire a la clavadora ni transporte la misma mientras esté tocando el gatillo. La herramienta podría disparar un sujetador lo cual causará la muerte o una lesión personal grave.*

Importantes Instruccions De Sécurité (Suite)

SERVICIO

- El servicio de la herramienta debe ser realizado sólo por personal de reparaciones calificado.
- Al realizarle un servicio a la herramienta, utilice únicamente piezas de repuesto idénticas. Use sólo piezas autorizadas.
- Use sólo los lubricantes que el fabricante proporciona con la herramienta.

PRECAUCION *Desconecte el suministro de agua y libere la tensión del mecanismo de impulso antes de intentar quitar obstrucciones, debido a que pueden expulsarse sujetadores de la parte frontal de la clavadora. Pueden ocurrir lesiones personales.*

SUMINISTRO DE AIRE

- Nunca conecte a un suministro de aire capaz de exceder las 13,79 bar. Someter la herramienta a presión excesiva puede resultar en una explosión, funcionamiento anormal, daños a la herramienta o graves lesiones personales. Use sólo aire comprimido limpio, seco y regulado a la presión de funcionamiento o dentro del rango de presiones indicado en la herramienta. Antes de usar la herramienta, verifique siempre que el suministro de aire haya sido regulado a la presión de funcionamiento o esté dentro del rango de presiones indicadas.
- No use nunca oxígeno, dióxido de carbono, gases combustibles o ningún gas en botellas como suministro de aire para la herramienta. Tales gases puede explotar y causar graves lesiones personales.

AVISO *Los compresores de aire usados para suministrarle aire a la clavadora deben cumplir los requerimientos establecidos por la organización norteamericana ANSI en el código B19.3-1991; sobre seguridad y estándares para compresores de aire industriales. Contacte al fabricante de su compresor de aire para mayor información.*

**GUARDE ESTAS INSTRUCCIONES –
NO LAS DESECHE**

Los símbolos de PELIGRO, ADVERTENCIA, PRECAUCIÓN, y AVISO y las instrucciones en este manual no pueden posiblemente cubrir todas las condiciones y situaciones posibles que puedan presentarse. El usuario debe entender que las precauciones y el sentido común son factores que no pueden incorporarse en este producto: es el usuario mismo quién debe contribuirlos.

Desempaque

Después de desempacar la unidad, inspecciónela cuidadosamente para detectar cualquier daño que pueda haber ocurrido durante el envío. Verifique que no haya piezas sueltas, faltantes ni dañadas. Asegúrese de ajustar cualquier accesorio, tornillos, etc., antes de hacer funcionar la unidad. Asegúrese de que todos los accesorios proporcionados vengan con la unidad. En caso de que tenga preguntas, o de que haya piezas dañadas o faltantes, llame a 1-800-543-6400 para obtener asistencia al cliente.

CONTENIDOS

- ◆ Clavadora para acabados
- ◆ Puntillas para acabado calibre 16 de 6,35 cm (2-1/2 pulg.)
- ◆ Pilas
- ◆ Llaves
- ◆ Instrucciones de funcionamiento
- ◆ Tarjeta de garantía
- ◆ Bolsa para transporte

ARTÍCULOS ADICIONALES NO INCLUIDOS

- ◆ Compresor (debe ser capaz de mantener un mínimo de 4,83 bar (70 psi) cuando se usa la clavadora)
- ◆ Manguera de aire
- ◆ Herramienta pequeña para eliminar obstrucciones
- ◆ Pegamento fijador de roscas
- ◆ Protección para los ojos ANSI Z87
- ◆ Debe usarse protección auditiva y otros dispositivos de protección personal

Ensamblaje

Esta herramienta viene completamente ensamblada.

Glosario

Familiarícese con estos términos antes de poner la unidad en funcionamiento.

ACTIVAR (HERRAMIENTA) — Producir el movimiento del (de los) componente(s) de la herramienta diseñado(s) para impulsar el sujetador.

SISTEMA DE ACTIVACIÓN — El uso de un gatillo, elemento de contacto de trabajo (WCE) y/o otro control de funcionamiento, de modo independiente, en combinación o en secuencia, para activar la herramienta.

ENTRADA DE AIRE — La abertura en que se conecta el suministro de aire comprimido, por lo general a través de una conexión roscada.

SUJETADORES — Esta herramienta usa puntillas de acabado de calibre 16 de 25,4 mm a 63,5 mm.

CARGADOR — La parte de la clavadora en que se mantienen los sujetadores.

PRESIÓN DE AIRE MÁXIMA — La presión máxima de aire comprimido permisible, según lo especificado por el fabricante, para el funcionamiento de la herramienta.

PUNTA ANTIRRAYONES DETECTORA DE MONTANTES — La punta antirrayones detectora de montantes está diseñada para eliminar las marcas causadas por el elemento de contacto de trabajo (WCE) de alambre. La punta antirrayones puede quitarse y amarrarse a la herramienta si no es necesaria (vea la **INSTALACIÓN Y CAMBIO DE LA PUNTA ANTIRRAYONES** y detectora de montantes) o cuando prefiera un avellanado levemente más profundo. Simplemente deslice la punta antirrayones y quítela del WCE y ajústela a la barra de almacenamiento del cargador. La punta también funciona como un práctico detector de montantes. Para utilizar la punta antirrayones detectora de montantes simplemente deslícela sobre el WCE de la herramienta (ver *Figura 5*).

BAR/PSI (LIBRAS POR PULGADA CUADRADA) — Unidades de medida de la presión ejercida por la fuerza del aire. La salida real en bar/psi se mide con un manómetro en el compresor.

ACOPLADOR RÁPIDO — Un acoplador rápido está diseñado para trabajar en combinación con un conector rápido para unir rápida y fácilmente una herramienta neumática con una manguera de aire (Ver *Figura 3*).

CONECTOR RÁPIDO — Un conector rápido está diseñado para trabajar en combinación con un acoplador rápido para unir rápida y fácilmente una herramienta neumática con una manguera de aire (Ver *Figura 4*).

REGULADOR — Un dispositivo usado para controlar la presión del aire que pasa a una herramienta neumática

PEGAMENTO FIJADOR DE ROSCAS — Un pegamento para fijar que se aplica a las roscas de los tornillos antes de instalarlos. Evita que los tornillos se aflojen durante el funcionamiento de la herramienta.

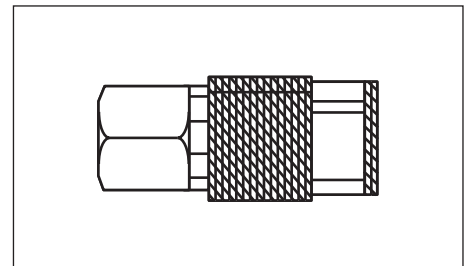


Figura 3 - Acoplador rápido

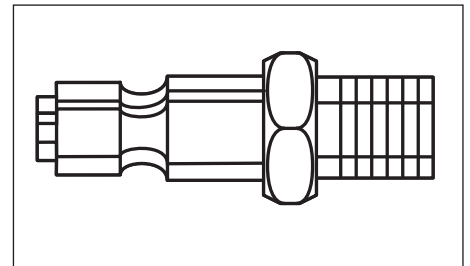


Figura 4 - Conector rápido

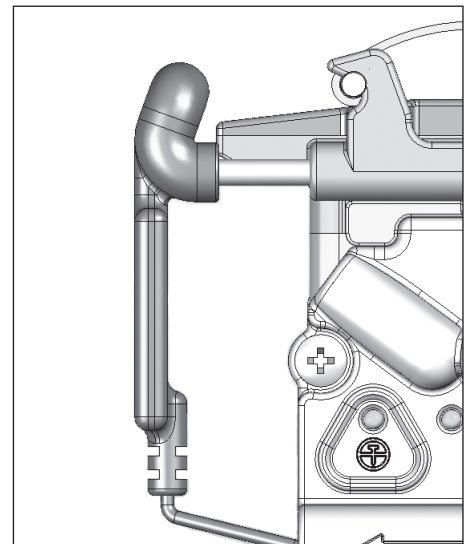
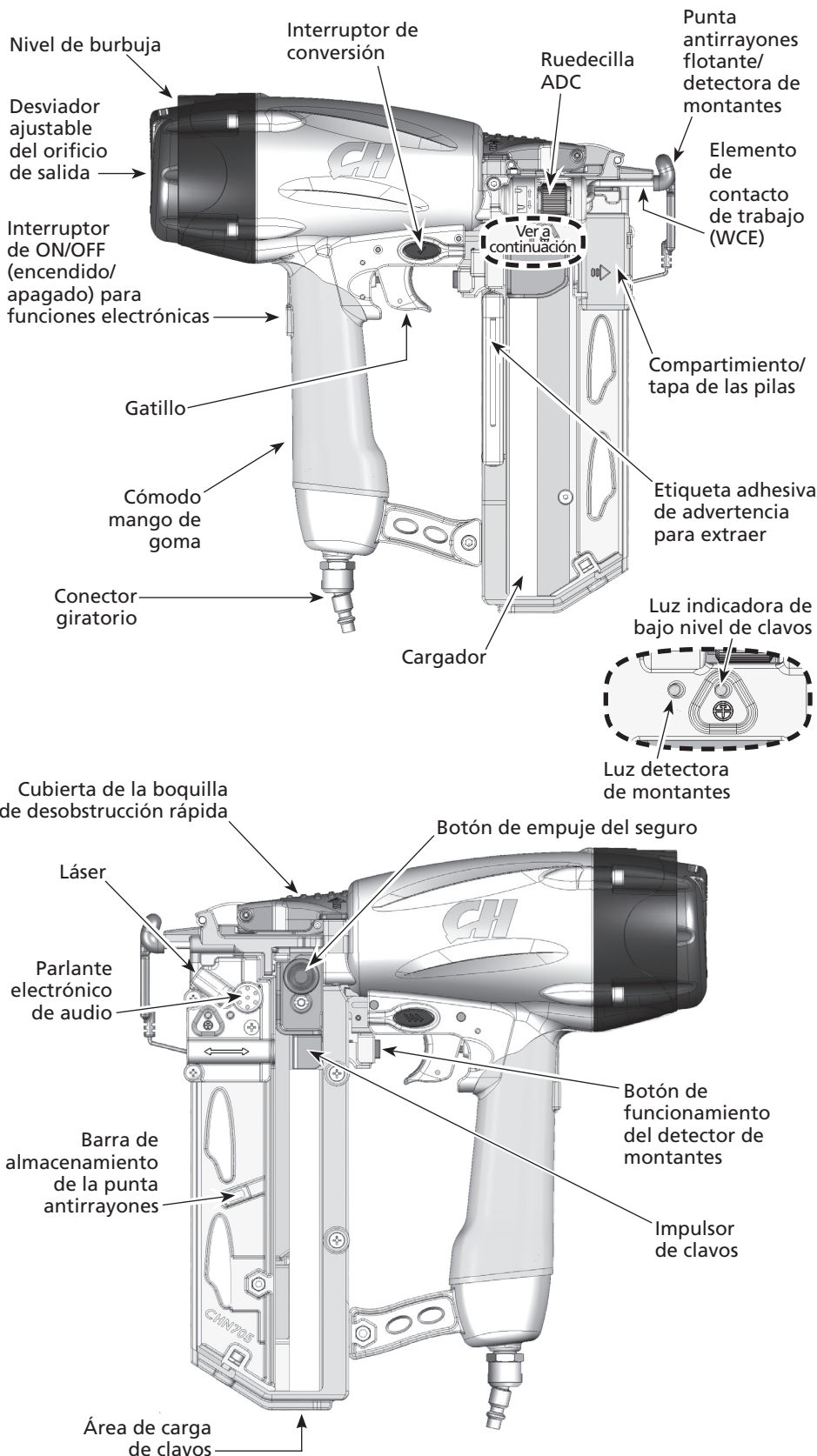


Figura 5 - Punta antirrayones y detectora de montantes

Conozca su clavadora derecha para acabado como un profesional



Características

ANTI DISPARO SIN CARGA

Esta herramienta está equipada con una característica de anti disparo sin carga. Esto evita que se presione el elemento de contacto de trabajo (WCE) cuando sólo queden pocos clavos. Simplemente cargue nuevos clavos a continuación de los que quedan, para continuar disparando.

PUNTA ANTIRRAYONES FLOTANTE/ DETECTORA DE MONTANTES

La herramienta tiene una punta antirrayones incluida que también actúa como un práctico detector de montantes. Para utilizar la punta antirrayones, simplemente deslícela sobre el WCE de la herramienta.

LUCES INDICADORAS DE BAJO NIVEL DE CLAVOS

La herramienta está equipada con luces a ambos lados cerca de la boquilla. Cuando la cantidad de clavos es baja, las luces se vuelven amarillas. Cuando casi no queden clavos, se pondrá en marcha la función anti disparo sin carga y la luz se pondrá roja. (ver la sección Para cargar la clavadora).

PUNTERO LÁSER PARA LA UBICACIÓN DE CLAVOS

La herramienta está equipada con un láser montado cerca de la boquilla. El mismo puede verse a través de las ranuras anchas del WCE y/o la punta antirrayones. El láser indicará la ubicación exacta del sujetador.

⚠ PELIGRO

Éste es un producto láser clase IIIA

que emite radiación láser. No observe ni mire directamente el rayo con instrumentos ópticos.

NIVEL DE BURBUJA

La herramienta está equipada con un nivel de burbuja ubicado en la parte superior de la herramienta. Esto lo ayudará a alinear la herramienta para nivelar el clavado de los sujetadores. El nivel de burbuja lo ayudará en el posicionamiento vertical y horizontal de la herramienta.

Figura 6 –Componentes de la clavadora derecha para acabado

Configuración

LUBRICACIÓN

Esta clavadora no requiere lubricación para su funcionamiento normal. Sin embargo, la lubricación no dañará la herramienta.

AVISO

La superficie de trabajo puede dañarse por exceso de lubricación.

COMPONENTES MÍNIMOS NECESARIOS PARA LA CONEXIÓN

COMPRESOR DE AIRE: El compresor de aire debe ser capaz de mantener un mínimo de 4,83 bar (70 psi) cuando se usa la clavadora. Un suministro de aire inadecuado puede causar una pérdida de potencia y una colocación desigual de los sujetadores (ver Tabla 2).

REGULADOR DE PRESIÓN: Es necesario un regulador de presión para controlar la presión de funcionamiento de la clavadora entre 4,83 bar y 8,27 bar (70 psi y 120 psi).

MANGUERA DE SUMINISTRO DE AIRE: Use SIEMPRE mangueras de suministro de aire con una clasificación de presión mínima de funcionamiento igual o mayor que la presión de la fuente de energía, o 10,34 bar (150 psi), lo que sea mayor. Use una manguera de aire de 0,63 cm (1/4 pulg.) para alargues de hasta 15 m (50 pies). Use mangueras de 0,95 cm (3/8 pulg.) para alargues de 15 m (50 pies) o mayores (ver Figura 4 y Tabla 3).

INSTRUCCIONES PARA LA CONEXIÓN DE LA CLAVADORA AL SUMINISTRO DE AIRE

La Figura 8 muestra la conexión recomendada para la clavadora.

NOTA: Para un mejor desempeño, instale un conector rápido de 0,95 cm (3/8 pulg.) (roscas de 6,4 mm [1/4 pulg.] NPT) con un diámetro interno de 8 mm (0,315 pulg.) en la clavadora y un acoplador rápido de 0,95 cm (3/8 pulg.) en la manguera de aire.

1. Con el interruptor de accionamiento en la posición de apagado, enchufe el compresor en el tomacorriente.
2. Cierre el regulador de presión girándolo totalmente hacia la izquierda. Encienda el compresor y deje que bombee hasta alcanzar la presión en que se apaga automáticamente.
3. Conecte la manguera de aire a la salida del regulador. Ajuste el regulador de presión girándolo hacia la derecha para que la presión de salida sea entre 4,83 bar y 8,27 bar (70 psi y 120 psi).
4. Cargue los sujetadores en la clavadora (Vea la sección Para cargar y descargar la clavadora en la página 51).
5. Apunte la clavadora hacia una dirección segura mientras coloca la manguera de aire.
6. La clavadora está lista para usar. Puede ser necesario ajustar la presión de salida para lograr una profundidad de sujetador adecuada.


	4,83 bar Min.
	8,27 bar Max.

Tabla 1

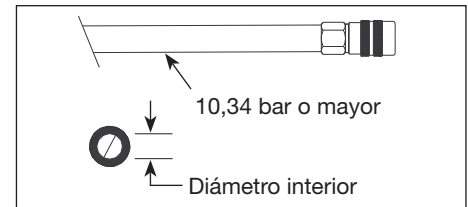


Figura 7 - Requerimientos para la manguera de aire

REQUERIMIENTOS PARA LA MANGUERA DE AIRE	
DIÁMETRO	LARGO DEL RECORRIDO
6,4 mm (1/4 inch)	Menos de 15,2 m (50 pies)
9,5 mm (3/8 inch)	Mayor o igual a 15,2 m (50 pies)

Tabla 2

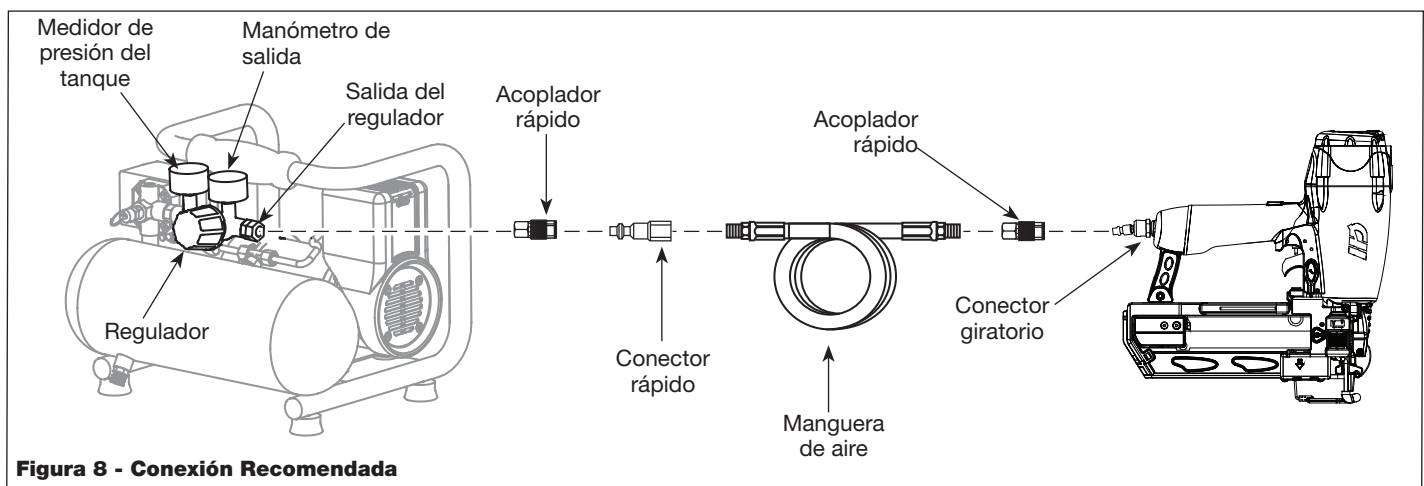


Figura 8 - Conexión Recomendada

Configuración (Continuación)

PARA CARGAR Y DESCARGAR LA CLAVADORA

Siempre **desconecte** la herramienta del suministro de aire **antes** de cargar o descargar los sujetadores. Elija qué largo de sujetador desee usar para su proyecto. Puede encontrar sujetadores adicionales en grandes tiendas para el hogar.

Cómo cargar la herramienta

1. Tire hacia atrás del mecanismo impulsor hasta que enganche.
2. Introduzca los clavos en la parte posterior de la ranura de carga.
3. Empuje el botón del seguro para liberar el mecanismo impulsor y permita que encaje el gancho de los clavos.

Para descargar la herramienta

1. Tire hacia atrás del mecanismo impulsor hasta que enganche.
2. Coloque los clavos de la ranura de carga.

AJUSTE DE LA PENETRACIÓN DEL CLAVO

La CHN70500 está equipada con una característica de profundidad ajustable, la ruedecilla ADC (ver Figura 11). Esto permite al usuario determinar qué tan profundo será clavado el sujetador en la superficie de trabajo.

1. Ajuste la presión de funcionamiento a una presión que clavará de forma constante los sujetadores. No exceda la presión de operación máxima de la clavadora de 8,27 bar (120 psi).
2. Para aumentar la profundidad de clavado, primero tire hacia arriba de la parte superior del WCE, luego gire la ruedecilla a la izquierda (en sentido antihorario). Para disminuir la profundidad de clavado, gire la ruedecilla hacia la derecha (en sentido horario). Luego suelte la parte superior del WCE en los seguros que mantienen la ruedecilla en su lugar luego de cada ajuste.
3. Asegúrese de que el gatillo y el elemento de contacto de trabajo (WCE) se muevan libremente hacia arriba y hacia abajo sin trabarse ni adherirse después de cada ajuste.

AJUSTE DE LA DIRECCIÓN DEL ORIFICIO DE SALIDA

La CHN70500 está equipada con un deflector del orificio de salida de dirección ajustable. Esto está diseñado para que el usuario pueda cambiar la dirección del orificio de salida. Simplemente gire el deflector en la dirección deseada.

INSTALACIÓN Y REMOCIÓN DE LA PUNTA ANTIRRAYONES Y DETECTORA DE MONTANTES

1. Desconecte el suministro de aire de la clavadora.
2. Quite la punta de la ubicación de almacenamiento.
3. Coloque con cuidado la punta antirrayones sobre el extremo del elemento de contacto de trabajo.
4. Verifique que el WCE y el gatillo se muevan libremente hacia arriba y hacia abajo sin adherirse ni trabarse.

NOTA: para quitar la punta, invierta el procedimiento anterior.

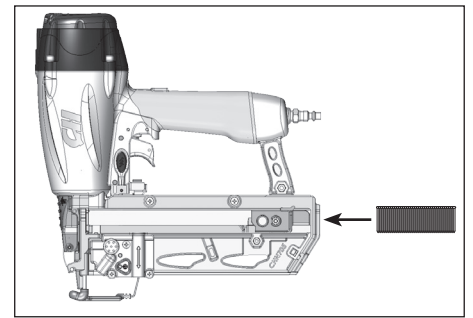


Figura 9 – Cómo cargar la clavadora

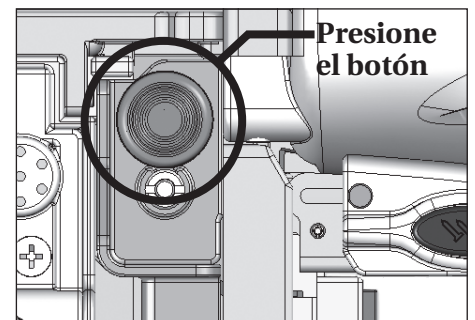


Figura 10 – Botón de derivación de clavos

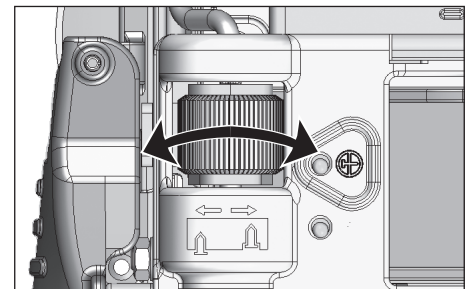


Figura 11 – Ajuste de la profundidad del clavo

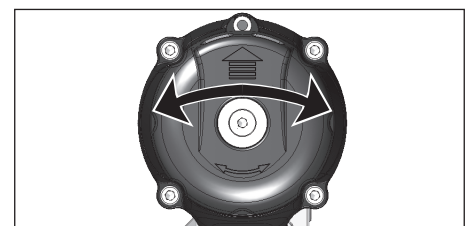


Figura 12 – Ajuste del escape

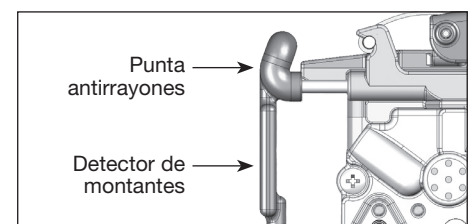


Figura 13 - Punta antirrayones y detectora de montantes

Pre-Funcionamiento

MODOS DE FUNCIONAMIENTO

⚠ ADVERTENCIA

Siempre conozca el modo de operación de la clavadora antes de usarla. No saber el modo de operación podría ocasionar la muerte o lesiones graves.

Esta clavadora puede ser operada en el modo de “secuencia” (como viene de fábrica) o en modo de “contacto”. La herramienta puede convertirse de un modo a otro presionando firmemente el interruptor de conversión de una posición a la otra.

Presione el lado “↗” del interruptor de conversión para activar el modo en secuencia.

Presione el lado “↕” del interruptor de conversión para activar el modo de contacto.

Presione cualquiera de los lados hasta la posición media para activar el modo de bloqueo de seguridad.

Modo en secuencia (ver Figura 14)

Se recomienda este método cuando se necesite una colocación precisa de los clavos. El funcionamiento en este modo requiere que se tire del gatillo cada vez que se coloca un clavo. La clavadora puede ser activada al presionar el elemento de contacto de trabajo (WCE) contra la superficie de trabajo y tirando luego del gatillo.

El gatillo debe soltarse luego de que se coloca cada sujetador para permitir que la herramienta se reajuste.

Como la herramienta sólo puede activarse retirando primero el dedo del gatillo, éste se considera un modo más restrictivo para el funcionamiento, apto para usuarios con menos experiencia.

Modo de contacto (ver Figura 15)

Se recomienda este método cuando se necesite una colocación menos precisa de los clavos. El funcionamiento de este modo requiere que el gatillo se presione con la clavadora fuera de la superficie de trabajo. Luego, la boquilla de la clavadora se golpea suavemente contra la superficie de trabajo y se coloca un clavo.

Cada vez que se presiona el elemento de contacto de trabajo, se coloca un clavo en la superficie de trabajo. Debe tenerse extremo cuidado debido a que se colocará un clavo cuando se presione el WCE contra cualquier superficie.

Como la herramienta puede activarse sin retirar el dedo del gatillo, éste se considera un modo menos restrictivo, adecuado para usuarios con más experiencia.

Modo de bloqueo de seguridad

Cuando el interruptor de conversión se presiona a la posición media, el gatillo está en el modo de bloqueo de seguridad. Ninguna combinación de la activación del WCE y el gatillo permitirá que la herramienta funcione en ciclo o dispare. Si la herramienta funciona en el modo de bloqueo de seguridad, póngase en contacto con Campbell Hausfeld para obtener soporte técnico, y no use la clavadora hasta que haya sido reparada.

ELEMENTO DE CONTACTO DE TRABAJO (WCE)

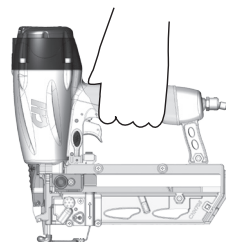
⚠ PRECAUCION

Verifique el funcionamiento del mecanismo de disparo del elemento de contacto de trabajo (WCE) antes de cada uso. El WCE debe moverse libremente sin trancarse en toda su distancia de recorrido. El resorte del WCE debe regresar al WCE a su posición completamente extendida una vez que haya sido presionado. No ponga la clavadora en funcionamiento si el mecanismo de recorrido del WCE no está funcionando de forma adecuada. Pueden ocurrir lesiones personales.

1. Desconecte el suministro de aire de la clavadora.
2. Asegúrese de que el gatillo y el elemento de contacto de trabajo (WCE) se muevan libremente hacia arriba y hacia abajo sin adherirse ni trabarse.

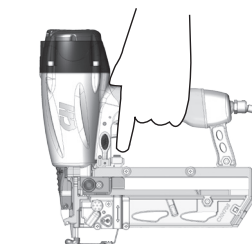
NOTA: si la herramienta no está cargada de clavos, la característica del mecanismo contra disparos vacíos no permitirá que se presione el WCE.

Presione el WCE primero...



Superficie de trabajo

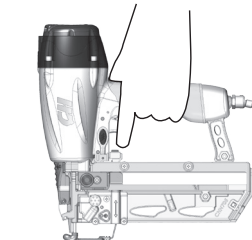
Luego tire del gatillo.



Superficie de trabajo

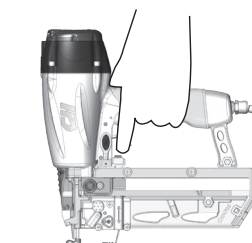
Figura 14 – Modo de secuencia

Tire del gatillo primero...



Superficie de trabajo

Después oprima totalmente el WCE.



Superficie de trabajo

Figura 15 – Modo de contacto

Pre-Funcionamiento (continuación)

3. Vuelva a conectar el suministro de aire a la clavadora.
4. Use un trozo de madera de desecho como superficie de trabajo.
5. Presione el WCE contra la superficie de trabajo sin tirar del gatillo (ver Figura 16). La clavadora **NO DEBE FUNCIONAR**. No use la herramienta si funciona sin que tire del gatillo. Pueden ocurrir lesiones personales.
6. Quite la clavadora de la superficie de trabajo. El WCE debe volver a su posición original hacia abajo. Tire del gatillo (ver Figura 17). La clavadora **NO DEBE FUNCIONAR**. No use la herramienta si funciona mientras no está apoyada sobre la superficie de trabajo. Pueden ocurrir lesiones personales.
7. Tire del gatillo y presione el WCE de la superficie de trabajo. La clavadora **DEBE FUNCIONAR** cuando está en modo de contacto. La clavadora **NO DEBE FUNCIONAR** si está en modo de secuencia.
8. Presione el WCE contra la superficie de trabajo. Tire del gatillo. La clavadora **DEBE FUNCIONAR**.
9. Cambie la clavadora al otro modo tal como se describe en la sección de Modos de funcionamiento y repita.

IMPORTANTE: repita los pasos del uno al nueve con la herramienta en el modo de bloqueo de seguridad. La herramienta **NO DEBE** funcionar en ninguno de los pasos. Si la herramienta funciona en el modo de bloqueo de seguridad, póngase en contacto con Campbell Hausfeld para obtener soporte técnico.

INTERRUPTOR DE ON/OFF (ENCENDIDO/APAGADO) PARA FUNCIONES ELECTRÓNICAS

Debajo de la parte superior del mango de goma hay un interruptor de encendido/apagado para las funciones electrónicas de la herramienta, las luces LED indicadoras de bajo nivel de clavos, y láser para la ubicación de clavos (ver Figura 18).

Para utilizar la función, sujete firmemente la herramienta del mango, soltando el interruptor en el proceso. La energía se mantiene de 5 a 10 segundos luego de soltar el interruptor para proporcionar un funcionamiento continuo e ininterrumpido realizado por el usuario que podría soltar temporalmente el interruptor.

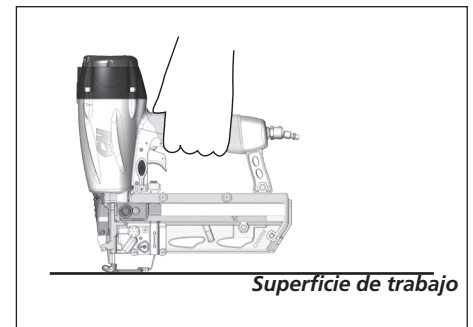


Figura 16

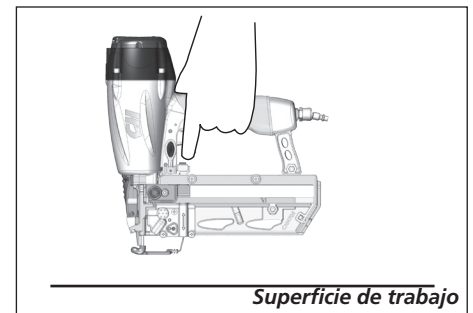


Figura 17

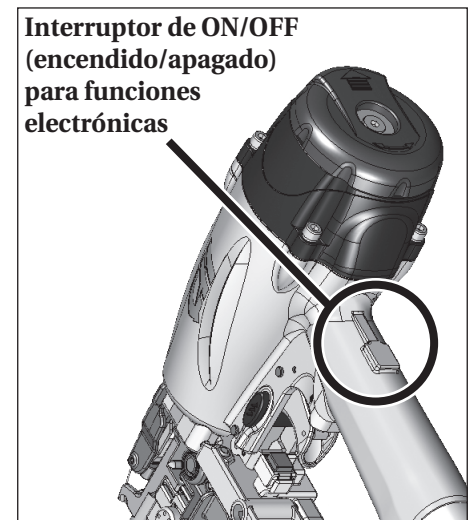


Figura 18 - Interruptor de ON/OFF (encendido/apagado) para funciones electrónicas

Funcionamiento

PUNTERO LÁSER PARA LA UBICACIÓN DE CLAVOS

La herramienta está equipada con un láser montado cerca de la boquilla. Coloque el interruptor de las funciones electrónicas en la posición de **ENCENDIDO**. Cuando el elemento de contacto de trabajo (WCE) toque la pieza de trabajo y se mueva levemente, el láser brillará en el lugar en que se clavará el clavo. El mismo puede verse a través de las ranuras anchas del WCE y/o la punta antirrayones. Cuando el láser esté en la posición deseada, simplemente presione completamente el WCE y dispáre la herramienta.

⚠ PELIGRO

*Éste es un producto láser clase IIIA que emite radiación láser.
No observe ni mire directamente el rayo con instrumentos ópticos.*

DISPARO DE LA CLAVADORA

1. Cargue los sujetadores (ver la sección Para cargar y descargar la clavadora).
2. Conecte el suministro de aire a la clavadora.

⚠ ADVERTENCIA

*Una herramienta que funciona de manera inadecuada no debe usarse.
No active la herramienta a menos que esté colocada firmemente contra la pieza de trabajo.*

En modo de secuencia

Presione el lado “” del interruptor de conversión para activar el modo en secuencia.

1. Presione levemente el elemento de contacto de trabajo (WCE) contra la superficie de trabajo.
2. El puntero láser brillará en el punto en que se clavará el clavo cuando el WCE toque levemente la superficie de trabajo.
3. Oprima totalmente el WCE.
4. Apriete el gatillo Se clavará un sujetador en la pieza de trabajo.

En el modo de contacto

Presione el lado “” del interruptor de conversión para activar el modo de contacto.

1. Quite la herramienta de la superficie de trabajo. **NO** apunte la herramienta hacia usted ni hacia otros.
2. Apriete el gatillo
3. Presione firmemente el elemento de contacto de trabajo (WCE) contra la superficie de trabajo. La herramienta funcionará en ciclo.
4. Quite la herramienta de la superficie de trabajo. Mueva la herramienta a la siguiente área en que se clavará el sujetador y repita.

LUCES INDICADORAS DE BAJO NIVEL DE CLAVOS (VER FIGURA 20)

La herramienta está equipada con luces a ambos lados cerca de la boquilla. Coloque el interruptor de las funciones electrónicas en la posición de **ENCENDIDO**. Cuando la cantidad de clavos que quedan en el cargador sea aproximadamente 10, las luces se prenderán de color amarillo. Puede recargar en cualquier momento (ver la sección Cómo cargar la clavadora). Cuando la cantidad de clavos sea aproximadamente 5, se activará la función anti disparo sin carga y la luz se pondrá roja. En este momento **DEBE** recargar.

NIVEL DE BURBUJA

La herramienta está equipada con un nivel de burbuja ubicado en la parte superior de la herramienta. Cuando la pistola está en una orientación de clavado horizontal, puede observarse y controlarse fácilmente la condición de nivelado simplemente alineando la herramienta de modo de que la burbuja esté entre las marcas del centro a lo largo del nivel. Se da la misma situación cuando está en una orientación de colocación vertical, alineando la herramienta para que la burbuja esté centrada en la marca circular que se encuentra en la parte superior del nivel.

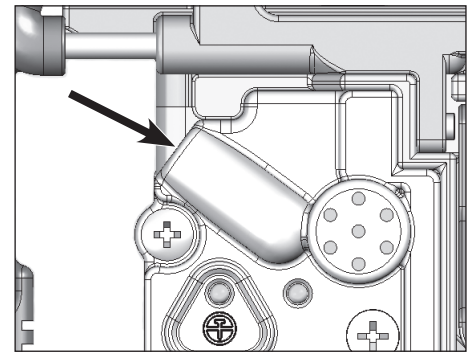


Figura 19 - Puntero láser

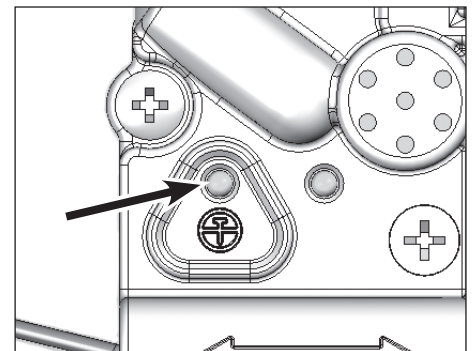


Figura 20 - Luces indicadoras de bajo nivel de clavos

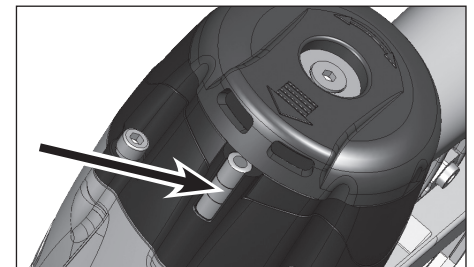


Figura 21 - Nivel de burbuja

Funcionamiento (continuación)

DETECTOR DE MONTANTES

Para encontrar montantes en las paredes, la punta antirrayones también actúa como un práctico detector de montantes con un funcionamiento similar a la mayoría de los detectores de montantes comunes.

1. Desconecte la herramienta del suministro de aire.
2. Si no se encuentra instalada, coloque la punta antirrayones en el elemento de contacto de trabajo (WCE).
3. Cargue la herramienta con sujetadores (ver la sección Cómo cargar la herramienta).
4. Vuelva a conectar la herramienta al suministro de aire. Coloque el interruptor de las funciones electrónicas en la posición "ON" (encendido).
5. Presione apenas la punta contra la pared en donde no haya montantes cerca. Presione prolongadamente el botón de funcionamiento del detector de montantes (ver Figura 22). La "placa" del detector de montantes debe estar plana contra la pared.
6. El detector de montantes emitirá un pitido y la luz indicadora se pondrá roja por un segundo mientras se calibra. Una vez calibrado, la luz se pondrá verde. **NO** mueva la herramienta mientras el detector de montantes se calibra (ver Figura 23).
7. Cuando la luz se vuelva verde, comience a arrastrar el WCE presionado sobre la pared "buscando" montantes. Cuando pase cerca del borde de un montante, la luz del detector de montantes comenzará a parpadear rápidamente con una luz roja y luego emitirá pitidos rápidamente (ver Figura 23).
8. Cuando se mueva directamente por encima de un montante, el detector de montantes emitirá una luz roja y un pitido constantes (ver Figura 23).

Para conservar la potencia de las pilas, coloque el interruptor de las funciones electrónicas en la posición "OFF" (apagado) cuando no esté en uso.

NOTA: si la punta se posiciona directamente sobre un montante durante el calibrado, no se calibrará correctamente. En este caso, seleccione otro lugar de la pared para calibrar la herramienta antes de usarla.

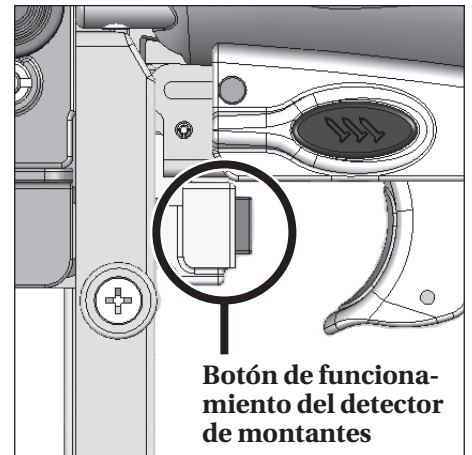


Figura 22

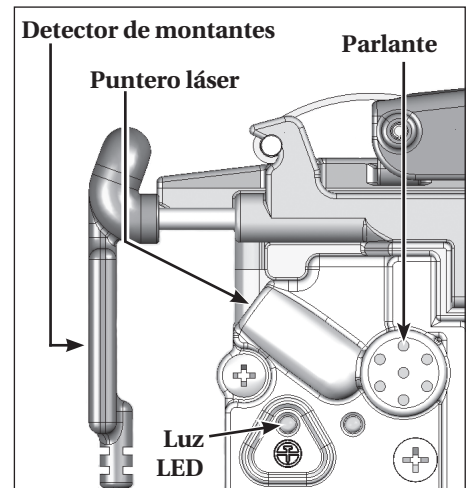


Figura 23

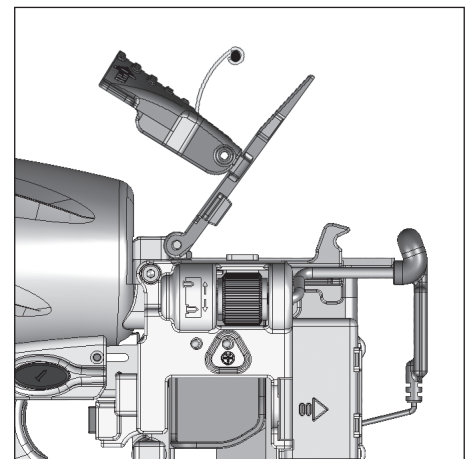


Figura 24 - Desobstrucción de la clavadora

Almacenamiento

La clavadora debe guardarse en un lugar fresco y seco sin las pilas cuando vaya a guardarse por un largo tiempo.

Mantenimiento

CÓMO DESOBRUIR LA CLAVADORA (VER FIGURA 24)

1. Desconecte la clavadora del suministro de aire.
2. Quite todos los clavos del cargador (ver Carga/Descarga). No hacerlo puede provocar que los clavos salgan por la parte frontal de la clavadora.
3. Quite el seguro tirando de la tapa en la dirección que se muestra.
4. Ahora se puede girar la puerta, dejando al descubierto el sujetador que está trabado.
5. Retire todos los sujetadores que estén trabados, utilizando unas pinzas o un destornillador si fuera necesario.
6. Vuelva a girar la puerta a su posición de cerrado.
7. Extienda el seguro y colóquelo sobre los ganchos de la boquilla.
8. Cierre el seguro tirando del mismo hacia arriba y hasta que el seguro calce en su lugar.
9. Cargue con clavos.
10. Asegúrese de que el gatillo y el elemento de contacto de trabajo (WCE) se muevan libremente hacia arriba y hacia abajo sin adherirse ni trabarse.

REPARACIÓN DE LA CLAVADORA

La herramienta debe ser reparada únicamente por personal calificado, y se deben usar piezas de repuesto y accesorios originales Campbell Hausfeld, o piezas y accesorios que funcionen de manera equivalente.

Mantenimiento (continuación)

PIEZAS DE REPUESTO

⚠ ADVERTENCIA Use únicamente piezas de repuesto Campbell Hausfeld originales. El desempeño de las herramientas, la seguridad y la duración pueden disminuir si no se utilizan las piezas adecuadas. Cuando ordene piezas de repuesto, especifique por el número de la pieza.

REEMPLAZO DE LAS PILAS

⚠ ADVERTENCIA Desconecte siempre la herramienta de la fuente de energía cuando no la esté atendiendo, cuando le esté realizando mantenimiento o reparaciones, desobstruyéndola, cargándola, descargándola o moviéndola a un nuevo sitio.

Las funciones electrónicas de la herramienta (luces indicadoras de bajo nivel de clavos y puntero láser de ubicación del clavo) funcionan con 2 (dos) pilas AAA ubicadas en el compartimiento que se encuentra en la parte posterior del cargador. Cuando esté bajo el nivel de energía de las pilas y deban ser reemplazadas, las funciones electrónicas pueden no funcionar nada bien. Desconecte la herramienta de la fuente de aire y quite la tapa del compartimiento de las pilas presionando la lengüeta de seguridad y tirando de la misma. Introduzca 2 (dos) pilas nuevas con la orientación correcta. No mezcle pilas viejas con nuevas. Cierre la tapa.

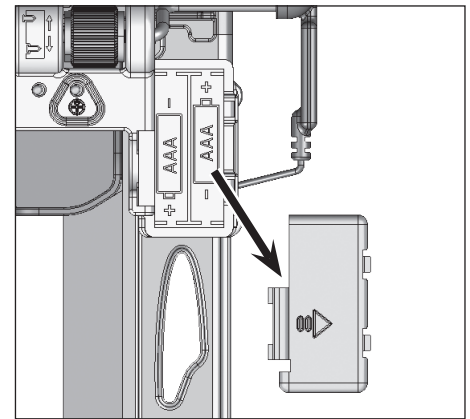


Figura 25 - Reemplazo de las pilas

PROCEDIMIENTO DE ENSAMBLAJE PARA LOS SELLOS

Cuando repare una clavadora, las piezas internas deben limpiarse y lubricarse. Debe usarse lubricante Parker O-lube o un equivalente en todos los anillos en O. Cada anillo en O debe ser cubierto con lubricante antes de ensamblar la herramienta. Debe utilizarse una pequeña cantidad de aceite en todas las superficies móviles y pivotes.

SERVICIO TÉCNICO

Para obtener información con relación al funcionamiento o reparación de este producto, sírvase llamar al 1-800-543-6400.

INFORMACIÓN DE INTERCAMBIO DE SUJETADORES

Los sujetadores usados en la Clavadora angular para acabados CHN70500 de Campbell Hausfeld también funcionan en las siguientes unidades de marca:

- Campbell Hausfeld NB0064
- Craftsman 18175, 18314
- Porter Cable FN250
- Ridgid R250SFA
- Senco Finish Pro 32

SUJETADORES

Las siguientes puntillas Campbell Hausfeld están disponibles en tiendas locales de venta al por menor. Para obtener ayuda para ubicar cualquier artículo, llame al departamento de atención al cliente al 1-800-543-6400. Los clavos Campbell Hausfeld cumplen o exceden el estándar ATM F1667.

Nº de Modelo	Longitud	Calibre de la espiga	Acabado	Cabeza	Unión	Clavos por ristra	Clavos por caja
FB005060	5,08cm (2 inch)	Calibre 16	Galvanizado	De puntilla	Adhesivo	50	2500
FB160025	2,54cm (1 inch)	Calibre 16	Galvanizado	De puntilla	Adhesivo	50	1000
FB160040	3,81cm (1-1/2 inch)	Calibre 16	Galvanizado	De puntilla	Adhesivo	50	1000
FB160050	5,08cm (2 inch)	Calibre 16	Galvanizado	De puntilla	Adhesivo	50	1000
FB160065	6,35 cm (2-1/2 inch)	Calibre 16	Galvanizado	De puntilla	Adhesivo	50	1000

Guía de resolución de problemas

⚠ ADVERTENCIA

Deje de usar la clavadora inmediatamente si alguno de los siguientes problemas ocurre. Podría resultar en heridas graves. Cualquier reparación o reemplazo de piezas los debe hacer un técnico calificado personal de un centro autorizado de servicio.

PROBLEMA	CAUSA	SOLUCIÓN
Pérdida de aire en la válvula del gatillo	Los anillos en O de la caja de la válvula del gatillo están dañados	Cambie los anillos en O. Verifique el funcionamiento del elemento de contacto de trabajo (WCE)
Pérdida de aire entre la caja y la boquilla	1. Anillos en O y/o sellos dañados 2. Daño en el tope	1. Cambie los anillos en O y/o sellos 2. Cambie el tope
Pérdida de aire entre la caja y la tapa	1. Tornillos sueltos 2. Junta dañada	1. Apriete los tornillos 2. Cambie la junta
La clavadora saltea la colocación de un clavo	1. Tope gastado 2. Suciedad en la pieza de la boquilla 3. La suciedad o los daños evitan que los clavos o el mecanismo de impulso se muevan libremente en el cargador 4. Resorte de empuje dañado 5. Flujo de aire a la clavadora inadecuado 6. Anillo en O gastado en el pistón o falta de lubricación 7. Anillo en O de la válvula del gatillo dañado 8. Pérdidas de aire	1. Cambie el tope 2. Limpie el canal de colocación 3. Limpie el cargador 4. Cambie el resorte 5. Compruebe las conexiones, la manguera, o el compresor 6. Cambie los sellos del pistón 7. Cambie los anillos en O 8. Ajuste los tornillos y las conexiones
La clavadora funciona lento o pierde potencia	1. La clavadora no está lo suficientemente lubricada 2. Resorte roto en la tapa del cilindro 3. El orificio de salida de la tapa está obstruido	1. Lubrique la clavadora 2. Cambie el resorte 3. Reemplace las piezas internas dañadas
Los clavos están atascados en la clavadora	1. La guía del accionador está gastada 2. Los clavos no son del tipo correcto 3. Los clavos están doblados 4. Los tornillos del cargador o la boquilla están sueltos 5. El accionador está dañado 6. Los clavos fueron cargados de forma incorrecta	1. Cambie la guía 2. Sólo use clavos recomendados 3. Reemplace con clavos en buen estado 4. Apriete los tornillos 5. Cambie el accionador 6. Consulte la sección Carga/Descarga del manual
El láser, los indicadores de bajo nivel de clavos y / o el detector de montantes no funcionan	1. No se presionó el interruptor de energía del mango 2. Deben reemplazarse las pilas 3. Los componentes no fueron colocados de forma correcta cuando se volvió a armar luego del mantenimiento realizado por el cliente 4. El láser no se enciende debido a que el WCE no está levemente presionado 5. El detector de montantes no es preciso	1. Encienda el interruptor 2. Cambie las pilas (ver la sección "Cómo cambiar las pilas") 3. Consulte la sección de las piezas para obtener asistencia en el rearmado correcto 4. Presione el WCE contra la superficie de trabajo 5. Asegúrese de que la placa del sensor del detector de montantes se encuentre plana contra la pared.

Para Ordenar Repuestos o Asistencia Técnica, Sírvase Llamar al Distribuidor Más Cercano a Su Domicilio

Sírvase proporcionar la siguiente información:

- Número de modelo
- Número de serie (si tiene)
- Descripción y número de la pieza como se muestra en la lista de repuestos

Dirija toda la correspondencia a:

Campbell Hausfeld
 Attn: Customer Service
 100 Production Drive
 Harrison, OH 45030 U.S.A.

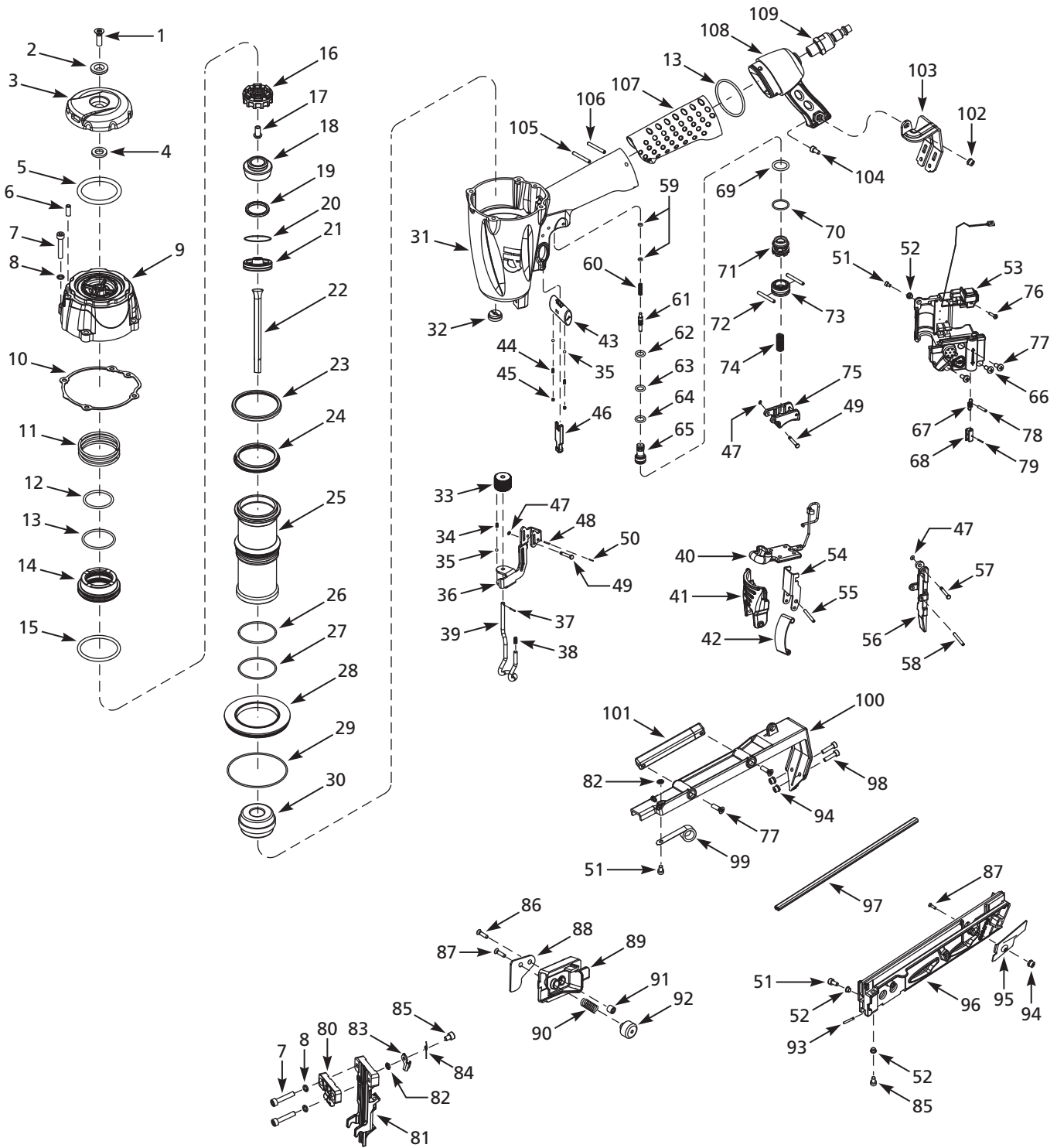


Figura 26 - Ilustración de las piezas de repuesto para la Clavadora Derecha para Acabado, modelo CHN70500AV

Lista de piezas de repuesto

No. de Ref.	Descripción	Número de Repuesto	Ctd.
1	Tornillo – M6 x 20	*	1
2	Buje	*	1
3	Tapa de salida	—	1
4	Empaque	●	1
5	Ensamble del silenciador	●	1
6	Nivel de burbuja	▲	1
7	Tornillo de cabeza tubular – M5 x 25	*	6
8	Arandela	*	6
9	Tapa del cilindro	—	1
10	Tapa de la entrada del cilindro	■●	1
11	Resorte de la válvula	■	1
12	Anillo en O	■●	1
13	Anillo en O	■●	2
14	Válvula	■	1
15	Anillo en O	■●	1
16	Junta de la válvula	■●	1
17	Tornillo – M6 x 12	■	1
18	Placa de tope	■	1
19	Aro del pistón	●▼	1
20	Anillo en O	●▼	1
21	Pistón	▼	1
22	Álabe del impulsor	▼	1
23	Collar	●◆	1
24	Empaque del cilindro	●◆	1
25	Cilindro	—	1
26	Anillo en O	●◆	1
27	Anillo en O	●◆	1
28	Placa limitadora	◆	1
29	Anillo en O	●◆	1
30	Defensa	◆	1
31	Cuerpo	—	1
32	Boquilla	●◆	1
33	Ruedecilla	★	1
34	Resorte	★	1
35	Cojinete de bolas	★△	3
36	Elemento de contacto superior	★	1
37	Pasador de resorte	★	1
38	Resorte	★	1
39	Elemento de contacto	★	1
40	Boquilla que no deja marcas	○	1
41	Cubierta de la boquilla de despeje rápido	✦	1
42	Ensamble del pasador de despeje rápido de la boquilla	✦	1
43	Interruptor del modo gatillo	△	1
44	Resorte	△	2
45	Tornillo – M4 x 5	△	2
46	Actuador	△	1
47	Anillo en O de retención	●★✦□	2
48	Pasador de resorte	★△	1
49	Pasador	★□	2
50	Pasador de resorte	★△	1
51	Tornillo de cabeza tubular – M4 x 8	○★✦	3
52	Buje	○✦	3
53	Módulo de componentes electrónicos	○	1
54	Palanca de seguro	✦	1
55	Pasador de resorte	✦	1
56	Boquilla de despeje rápido	✦	1
57	Pasador	✦	1
58	Pasador de resorte	✦	1
59	Anillo en O	●□	2
60	Resorte del vástago de la válvula del gatillo	□	1
61	Válvula del gatillo	□	1
62	Anillo en O	●□	1
63	Anillo en O	●□	1
64	Anillo en O	●□	1
65	Culata de la válvula del gatillo	□	1
66	Tornillo – M4 x 10	○	2
67	Resorte	○	1
68	Pieza deslizadora	○	1
69	Anillo en O	●□	1
70	Anillo en O	●□	1

No. de Ref.	Descripción	Número de Repuesto	Ctd.
71	Cuerpo de la válvula inferior	□	1
72	Pasador de resorte	□	2
73	Válvula del gatillo	□	1
74	Resorte del gatillo	□	1
75	Ensamblaje del gatillo	□	1
76	Tornillo	○	1
77	Tornillo – M4 x 10	○◇	3
78	Pasador de resorte	○	1
79	Pasador de resorte	○	1
80	Soporte para puerta de la boquilla de despeje rápido	—	1
81	Placa de la guía de impulsión	—	1
82	Tuerca – M4	▽★	2
83	Pieza de seguridad del elemento de contacto de trabajo	▽	1
84	Resorte	▽	1
85	Tornillo de cabeza tubular – M4 x 10	▽✦	2
86	Tornillo – M4 x 8	★	1
87	Tornillo – M4 x 10	★✦	2
88	Impulsor	★	1
89	Asiento del impulsor	★	1
90	Resorte de empuje	★	1
91	Manguito roscado	★	1
92	Botón	★	1
93	Pasador de resorte	✦	1
94	Tuerca – M4	✦✦	3
95	Placa impulsora	✦	1
96	Cargador inferior	✦	1
97	Riel	SV567700AV	1
98	Tornillo de cabeza tubular – M4 x 12	✦	2
99	Resorte espiral	★	1
100	Cargador superior	✦	1
101	Etiqueta adhesiva de retroceso en caja	◇	1
102	Tuerca – M5	✦	1
103	Tapa del extremo del cargador	✦	1
104	Tornillo de cabeza tubular – M5 x 16	✦	1
105	Pasador de resorte	*	1
106	Pasador de resorte	*	1
107	Mango	—	1
108	Tapa inferior de la entrada	—	1
109	Conector giratorio de i/m (macho) de 1/4-18 (6 mm)	SV567600AV	1

JUEGOS DE REPUESTOS

▲	Juego de nivel de burbuja	SKN22000AV
■	Juego reparación de la válvula de la culata	SKN22100AV
●	Juego completo de sellos	SKN22200AV
◆	Juego de reparación del cilindro	SKN22300AV
▼	Juego de piezas del ensamblaje del impulsor	SKN22400AV
★	Elemento de contacto de trabajo (WCE)	SKN22500AV
✦	Juego de la boquilla de desobstrucción rápida (QCN)	SKN22600AV
△	Juego de interruptor del modo gatillo	SKN22700AV
□	Juego de reparación del gatillo	SKN22800AV
○	Juego del módulo de componentes electrónicos (algunas piezas deben soldarse)	SKN22900AV
◇	Juego de etiquetas adhesivas de advertencia de retroceso	SKN23000AV
▽	Juego anti disparo sin carga	SKN23100AV
☆	Juego de impulsión	SKN23200AV
✦	Juego de ensamble del cargador inferior	SKN23300AV
✦	Juego de ensamble del cargador superior	SKN23400AV
—	No disponible	
*	Artículo estándar de ferretería - disponible en su ferretería local	

Recordatorio: ¡Guarde su comprobante de compra con fecha para fines de la garantía! Adjúntela a este manual o archívela en lugar seguro.

Garantía Limitada

1. DURACION: A partir de la fecha de compra por el comprador original tal como se especifica a continuación: Un año.
2. QUIEN OTORGA ESTA GARANTIA (EL GARANTE: Campbell Hausfeld / The Scott Fetzer Company 100 Production Drive, Harrison, Ohio 45030 Teléfono: (800) 543-6400
3. QUIEN RECIBE ESTA GARANTIA (EL COMPRADOR): El comprador original (que no sea un revendedor) del producto Campbell Hausfeld.
4. PRODUCTOS CUBIERTOS POR ESTA GARANTIA: Cualquier clavadora, grapadora, herramienta neumática, pistola pulverizadora, inflador o accesorio neumático suministrado o fabricado por el Garante.
5. COBERTURA DE LA GARANTIA: Los defectos substanciales de material y fabricación que ocurran dentro del período de validez de la garantía.
6. LO QUE NO ESTA CUBIERTO POR ESTA GARANTIA:
 - A. Las garantías implícitas, incluyendo aquellas de comercialidad E IDONEIDAD PARA FINES PARTICULARES, ESTAN LIMITADOS A LO ESPECIFICADO EN EL PARRAFO DE DURACION. Si este producto es empleado para uso comercial, industrial o para renta, la garantía será aplicable por noventa (90) días a partir de la fecha de compra. En algunos estados no se permiten limitaciones a la duración de las garantías implícitas, por lo tanto, en tales casos esta limitación no es aplicable.
 - B. CUALQUIER PERDIDA DAÑO INCIDENTAL, INDIRECTO O CONSECUENTE QUE PUEDA RESULTAR DE UN DEFECTO, FALLA O MALFUNCIONAMIENTO DEL PRODUCTO CAMPBELL HAUSFELD. En algunos estados no se permite la exclusión o limitación de daños incidentales o consecuentes, por lo tanto, en tales casos esta limitación o exclusión no es aplicable
 - C. Cualquier falla que resulte de un accidente, abuso, negligencia o incumplimiento de las instrucciones de funcionamiento y uso indicadas en el (los) manual(es) que se adjunta(n) al producto. Dichos accidentes, abusos por parte del comprador, o falta de operar el producto siguiendo las instrucciones del manual de instrucciones suministrado también debe incluir la desconexión o modificación de los instrumentos de seguridad. Si dichos instrumentos de seguridad son desconectados, la garantía quedaría cancelada.
 - D. Los ajustes normales explicados en el(los) manual(es) suministrado(s) con el producto.
 - E. Artículos o servicios normalmente requeridos para el mantenimiento del producto, tales como: anillos en O, resortes, amortiguadores, defensas, hojas de impulsor, fusibles, baterías, empaques, almohadillas o sellos, boquillas de fluido, agujas, boquillas para rociar arena, lubricantes, mangueras de material, elementos filtrantes, álabes de motores, abrasivos, hojillas, discos para cortar, cinceles, retenes para cinceles, cortadores, collarines, mandriles, mordazas para remachadoras, brocas para desarmadores, almohadillas para lijar, soportes de almohadillas, mecanismo de impacto o cualquier otro artículo desgastable que no se haya enumerado específicamente. Estos artículos sólo estarán cubiertos bajo esta garantía por noventa (90) días a partir de la fecha de compra original. Los artículos subrayados sólo están garantizados por defectos de material o fabricación.
7. RESPONSABILIDADES DEL GARANTE BAJO ESTA GARANTIA: Reparar o reemplazar, como lo decida el Garante, los productos o componentes que estén defectuosos, se hayan dañado o hayan dejado de funcionar adecuadamente, durante el período de validez de la garantía
8. RESPONSABILIDADES DEL COMPRADOR BAJO ESTA GARANTIA:
 - A. Suministrar prueba fechada de compra y la historia de mantenimiento del producto.
 - B. Llame a Campbell Hausfeld (800) 543-6400 por sus opciones de servicio incluidas en la garantía. Los costos de flete correrán por cuenta del comprador.
 - C. Seguir las instrucciones sobre operación y mantenimiento del producto, tal como se indica(n) en el (los) manual(es) del propietario
9. CUANDO EFECTUARA EL GARANTE LA REPARACION O REEMPLAZO CUBIERTO BAJO ESTA GARANTIA: La reparación o reemplazo dependerá del flujo normal de trabajo del centro de servicio y de la disponibilidad de repuestos.

Esta garantía limitada es válida sólo en los EE.UU., Canadá y México y otorga derechos legales específicos. Usted también puede tener otros derechos que varían de un Estado a otro. o de un país a otro.

Free Manuals Download Website

<http://myh66.com>

<http://usermanuals.us>

<http://www.somanuals.com>

<http://www.4manuals.cc>

<http://www.manual-lib.com>

<http://www.404manual.com>

<http://www.luxmanual.com>

<http://aubethermostatmanual.com>

Golf course search by state

<http://golfingnear.com>

Email search by domain

<http://emailbydomain.com>

Auto manuals search

<http://auto.somanuals.com>

TV manuals search

<http://tv.somanuals.com>