



Installation, Start-Up and Service Instructions

58DH
035 through 120

Carrier Corporation • Syracuse, N.Y. 13221



Downflow/Horizontal Induced-Draft Gas Furnace

GENERAL

Before starting installation of this furnace, read these instructions carefully and completely. After installation is complete, remove the Energy Guide tag from the furnace. Also read the Procedures for Induced-Draft Gas-Fired Furnaces (packaged with furnace) for important information concerning combustion, venting, piping and other standard installation practices. Further reference can be made to the current edition of the American National Standard Z223.1 National Fuel Gas Code.

The induced-draft vent system of this furnace is designed to operate at zero or negative pressure at the vent connector outlet. This furnace, therefore, complies with the National Fuel Gas Code (NFPA 54-1980 or ANSI Z223.1-1980), Part 7.14.3.b. This furnace is also listed by AGA for use with the type B1 gas vent, as described in the National Fuel Gas Code, Part 7.3.2.

Each furnace is shipped from the factory completely assembled with multispeed direct-drive blower, and wired ready for indoor heating installation. All sizes feature a blower control center with easy-to-read low-voltage terminal strip to ensure proper connections.

The output capacity and any representations of efficiency for this product are based on standard Department of Energy test procedures. The installed operation may vary, depending on installation, weather and other factors.

CAUTION: Do not install furnace in a corrosive or contaminated atmosphere. Adhere to all combustion and circulating air requirements listed in Procedures for Induced-Draft Gas-Fired Furnaces. Observe all local codes and ordinances.

The design of the downflow/horizontal (Fig. 1 and 2) gas-fired furnace is AGA certified for installation on combustible flooring (with optional floor base), in alcoves, attics, crawl spaces, base-

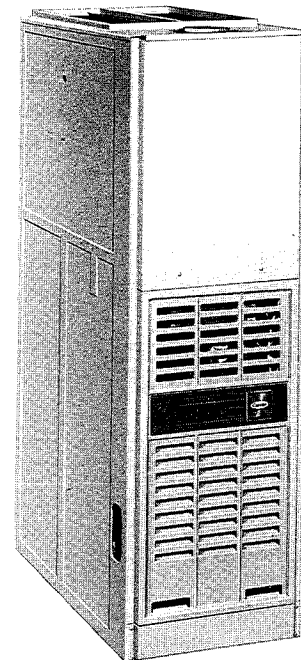


Fig. 1 — Furnace in Downflow Position

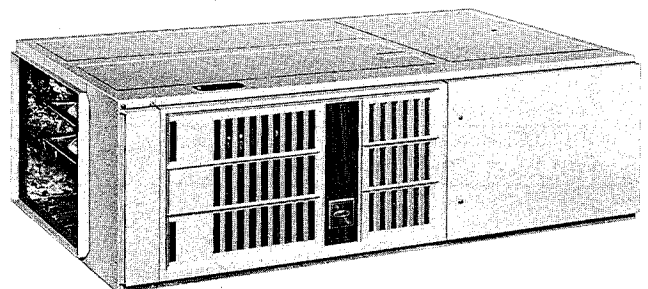


Fig. 2 — Furnace in Horizontal Position

ments, closets or utility rooms. The design of this furnace line is *not* AGA certified for installation in mobile homes, recreation vehicles or outdoors.

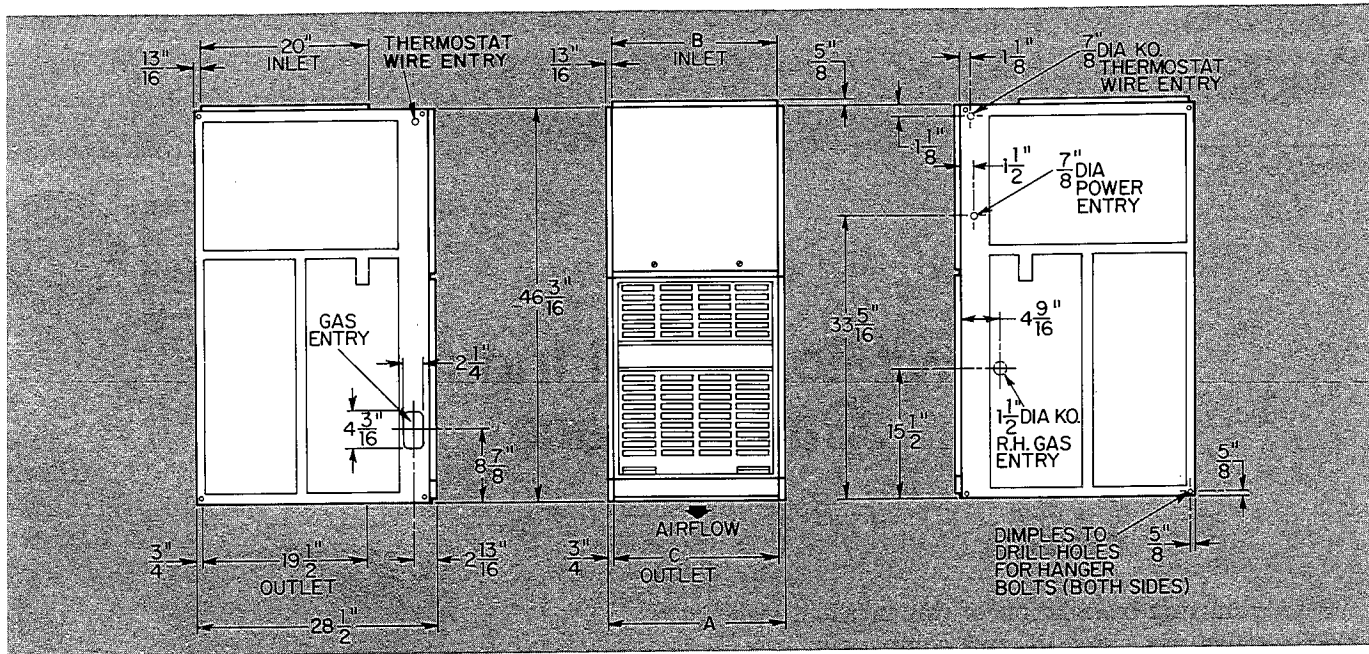


Fig. 3 — Dimensional Drawing (in.)

Installation Procedures

	Page		Page
Inspection	*	Horizontal Attic Installation	4
Location, Ventilation and Air for Combustion	*	Crawl Space Installation	5
Gas Piping	*	Filter Arrangement	5
Venting	*	Electrical Connections	5
Supply-Air Plenum Installation (downflow)	3	Sequence of Operation	7
		Start-Up and Adjustment	8
		Care and Maintenance	8

*Refer to appropriate sections of Procedures for Induced-Draft Gas-Fired Furnaces booklet packed with this furnace.

Table 1 — Clearances (in.)*

FURNACE	TOP	SIDES†	BACK	FRONT	VENT
DOWNFLOW (In Alcove or Closet)‡					
Single-Wall Vent	1	1	0	6**	6
Type B1 Double-Wall Vent	1	0	0	3**	1
HORIZONTAL (In Alcove)††					
Single-Wall Vent	1	1‡‡	0	18	6
Type B1 Double-Wall Vent	0	1‡‡	0	18	1
HORIZONTAL (In Closet)					
Single-Wall Vent	2	1‡‡	3	6	6
Type B1 Double-Wall Vent	2	1‡‡	3	3	1
HORIZONTAL (Attic or Unoccupied Spaces)					
Type B1 or Type L Double-Wall Vent	1	1‡‡	0	18	1

*Provide a 30-in. service clearance in front of the furnace.

†Indicates supply or return sides when furnace is in the horizontal position.

‡For installation on non-combustible floors only. For installation on combustible flooring only when installed on special base (Part No. 58DS900041).

**Alcove installations require 18-in. front clearance.

††Line contact permissible only between lines formed by intersections of the top and 2 sides of the furnace jacket, and building joists, studs or framing.

‡‡Clearance shown is for the outlet side. The inlet side must maintain 6-in. clearance from flue to combustible materials with single-wall vent.

Table 2 — Dimensions (in.)

Furnace Size	A	B	C	Vent Diam
035,040	14-3/16	12-9/16	12-11/16	4
055,060	14-3/16	12-9/16	12-11/16	4
070,080	17-1/2	15-7/8	16	4
090,100(CC)	17-1/2	15-7/8	16	4
090,100(DC)	21	19-3/8	19-1/2	4
110,120	24-1/2	22-13/16	23	5

NOTE: When 035,040,055 and 060 size furnaces are installed in a horizontal position on combustible material, it is necessary to raise the furnace one in. to obtain required 6-in. vent pipe clearance for a single wall vent.

The Carrier induced-draft gas furnace is designed to accept a Carrier electronic air cleaner and humidifier.

For accessory installation details, refer to applicable installation literature.

Table 3 — Ratings and Performance*

FURNACE SIZE	INPUT (Btuh)	CAPACITY (Btuh†)	TEMP RISE RANGE (F)	HEATING		COOLING		MOTOR HP & TYPE	APPROX SHIP. WT (lb)
				Ext Static Pressure (in. wg)	Cfm	Ext Static Pressure (in. wg)	Cfm		
035-100CC	43,000	35,000	20-50	0.12	1060	0.50	1171	1/3 PSC	132
040-100CC	48,000	38,000	25-55	0.12	1060	0.50	1171	1/3 PSC	132
055-100CC	64,000	52,000	40-70	0.12	1080	0.50	1157	1/3 PSC	142
060-100CC	71,000	57,000	45-75	0.12	1080	0.50	1157	1/3 PSC	142
070-100CC	86,000	71,000	40-70	0.15	1240	0.50	1553	1/2 PSC	163
080-100CC	95,000	77,000	45-75	0.15	1240	0.50	1553	1/2 PSC	163
090-100CC	107,000	88,000	55-85	0.20	1348	0.50	1590	1/2 PSC	178
100-100CC	119,000	98,000	60-90	0.20	1348	0.50	1590	1/2 PSC	178
090-100DC	107,000	88,000	50-80	0.20	1350	0.50	1929	1/2 PSC	188
100-100DC	119,000	97,000	55-85	0.20	1350	0.50	1929	1/2 PSC	188
110-100CC	129,000	106,000	40-70	0.20	1937	0.50	2010	1/2 PSC	208
120-100CC	143,000	117,000	50-80	0.20	1937	0.50	2010	1/2 PSC	208

Models meet or exceed California low NOx requirements.

PSC — Permanent Split Capacitor

*Ratings are certified for altitudes to 2000 feet. For elevations above 2000 ft, reduce ratings 4% for each 1000 ft above sea level.

†Determined by U.S. Government Standard test procedures using outdoor combustion air method.

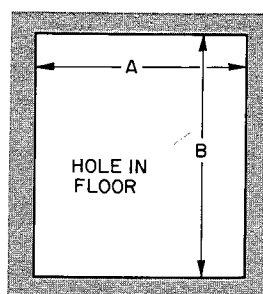


Fig. 4 — Floor Opening for Concrete Slab

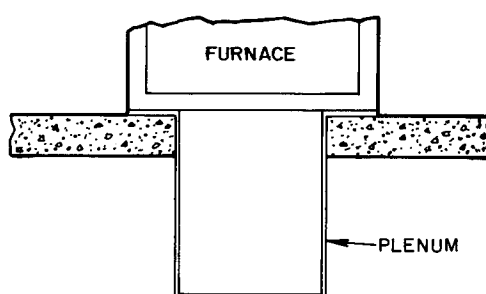


Fig. 5 — Furnace on a Concrete Slab

Table 4 — Opening Dimensions (in.)

Furnace Size	A	B
		Heat-Only
035-060	13-1/8	19-5/8
070-100(CC)	16-7/16	
090-100(DC)	19-7/8	
110-120	23-7/16	

INSTALLATION

Supply-Air Plenum (Downflow)

INSTALLATION ON CONCRETE SLAB

1. See Fig. 3 for dimensions and location of supply-air opening in furnace bottom.
2. Construct hole in floor. See Fig. 4 and Table 4.
3. Place plenum and furnace. See Fig. 5.

INSTALLATION ON COMBUSTIBLE FLOOR

1. Read installation instructions packaged with accessory combustible floor base.
2. Cut and frame hole in floor. See Table 1 of installation instructions packaged with combustible floor base. If this requires cutting a floor

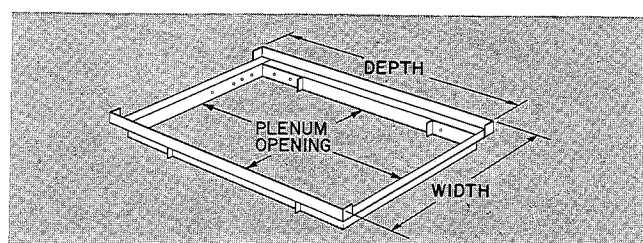


Fig. 6 — Accessory Combustible Floor Base

joist, tie ends of cut joist into adjacent joists for proper floor support.

3. Assemble and install combustible floor base per instructions packaged with base.
4. When completed, install combustible floor base, plenum, and furnace (or coil casing when used). See Fig. 7.

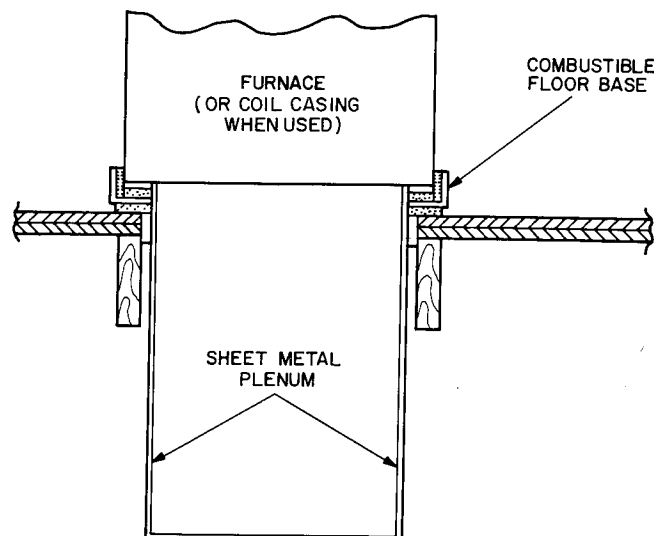


Fig. 7 — Furnace, Plenum, and Base Installed on Combustible Floor

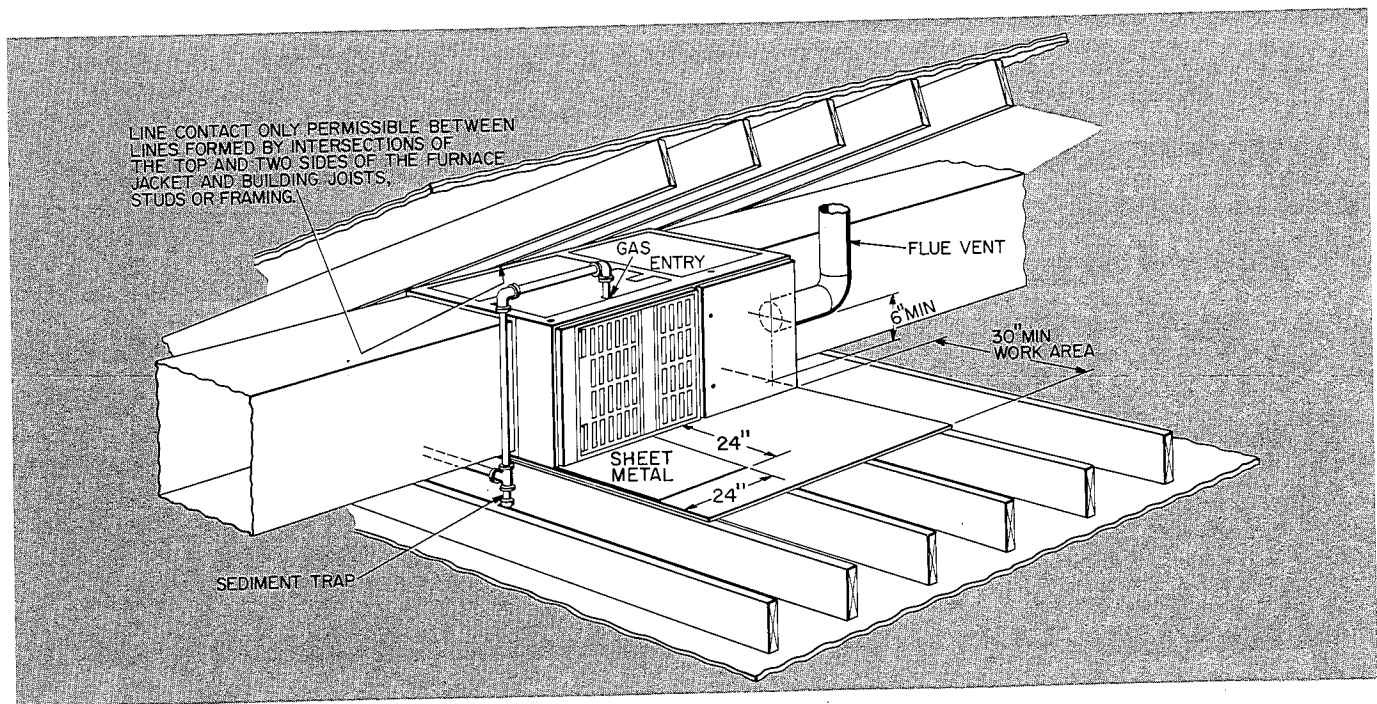


Fig. 8 — Typical Attic Installation

Horizontal Attic Installation — The Model 58DH furnace can be installed horizontally on either the left-hand or right-hand side. A typical attic installation is shown in Fig. 8.

→ **NOTE:** For attic installations, use Type B or Type L vent material.

velocity rating must not exceed 300 fpm for disposable filters. Air velocity through reusable-type filters shall not exceed manufacturer's recommendation.

4. Install 24 x 24 in. sheet metal shield on platform in front of louvered control panel. See Fig. 8.
5. Proceed to Electrical Connections for wiring information.

CONSTRUCT WORKING PLATFORM

1. Place working platform in location where all required furnace clearances are obtainable. See Table 1.
2. Use materials in platform that can support installer and service persons.
3. Secure platform to building joists.

INSTALL FURNACE

1. Position furnace in desired location.
2. Connect gas supply pipe. See Fig. 8 for typical piping entry. It is important to install a sediment trap in the gas pipe riser.
3. Connect supply and return air ducts.
 - a. Install accessory duct flange kit as shown in Fig. 9.
 - b. Connect duct to furnace, using appropriate fasteners for type of supply air duct being used.
 - c. Install accessory filter retainer kit before connecting return air duct to furnace. See Fig. 10 and Table 5. See note below.
 - d. Using appropriate fasteners for type of duct being used, connect return air duct to furnace.

NOTE: For ease of servicing, a return air filter can be installed in a common return air grille. Air

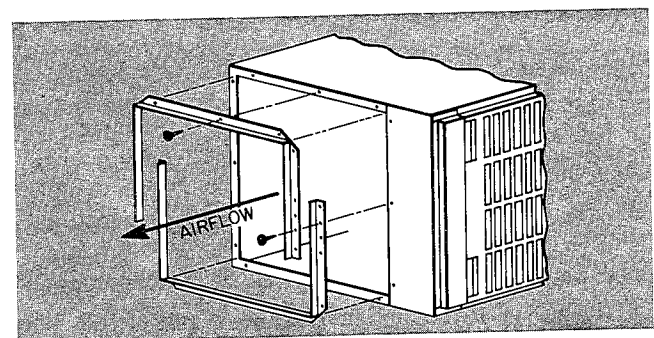


Fig. 9 — Accessory Duct Flange Installation

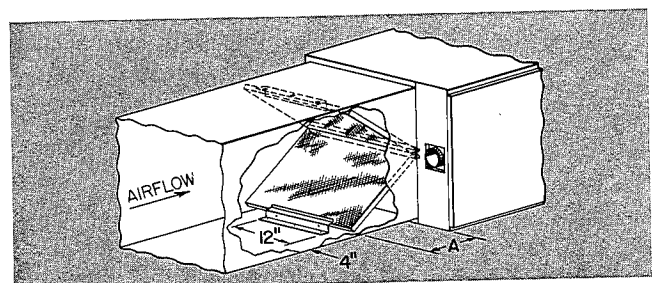


Fig. 10 — Horizontal Filter Arrangement (See Table 5.)

Crawl Space Installation — The Model 58DH furnace can be installed horizontally with either the left-hand or right-hand side up. In crawl space, furnace can either be hung from floor joist or installed on suitable blocks or pad. Furnace can be suspended from each corner by hanger bolts (use four 3/8-in. all-thread rods cut to desired length, 1 x 3/8-in. flat washer, 3/8-in. lock washer, and 3/8-in. nut). Dimples are provided for hole locations. See Fig. 3.

Crawl space installation is very similar to attic installation. Refer to Horizontal Attic Installation, Install Furnace (Steps 1,2,3). Installation of sheet metal shield in front of louvered control panel is covered in Step 4. For crawl space installation, the same size sheet metal shield must be installed above louvered control panel. When installing furnace in horizontal position in a crawl space, extend sheet metal shield over furnace top sufficiently to cover gas pipe entry hole.

Filter Arrangement — Two factory-supplied filters are shipped in blower compartment. After

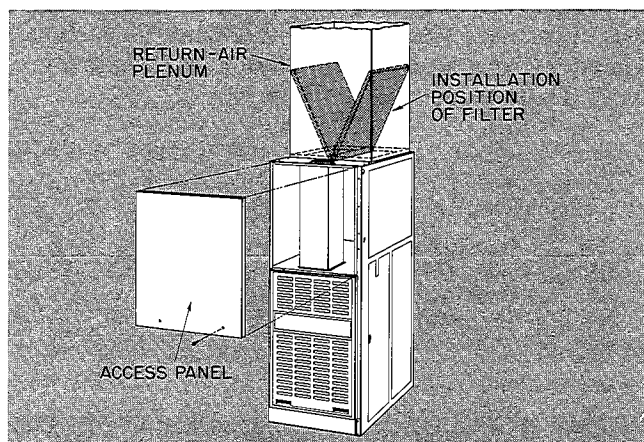


Fig. 11 — Downflow Filter Arrangement

return air duct has been connected to furnace, install filters in a V-formation inside return air plenum. See Fig. 10 and Table 5 for horizontal applications. See Fig. 11 for downflow applications.

Accessory filter retainer and duct flange kits are available. See Fig. 9 and 10 for typical installations.

WARNING: Never operate unit without a filter, or with filter access door removed.

Table 5 — Filter Retainer (in.)

Furnace Size	Dim. A (Fig. 10)
035—060	15-3/16
070—100(CC)	14-1/2
090—100(DC)	13-9/16
110—120	12-1/4

Electrical Connections

LINE-VOLTAGE WIRING

IMPORTANT: Before proceeding with electrical connections, make certain that voltage, frequency, and phase correspond to that specified on unit rating plate. Also, check to be sure that service provided by utility is sufficient to handle additional load imposed by this equipment. Refer to unit rating plate for equipment electrical requirements.

CAUTION: Do not connect aluminum wire between disconnect switch and furnace. Make all electrical connections in accordance with National Electrical Code, ANSI/NFPA 70-1984, and any local codes or ordinances that apply.

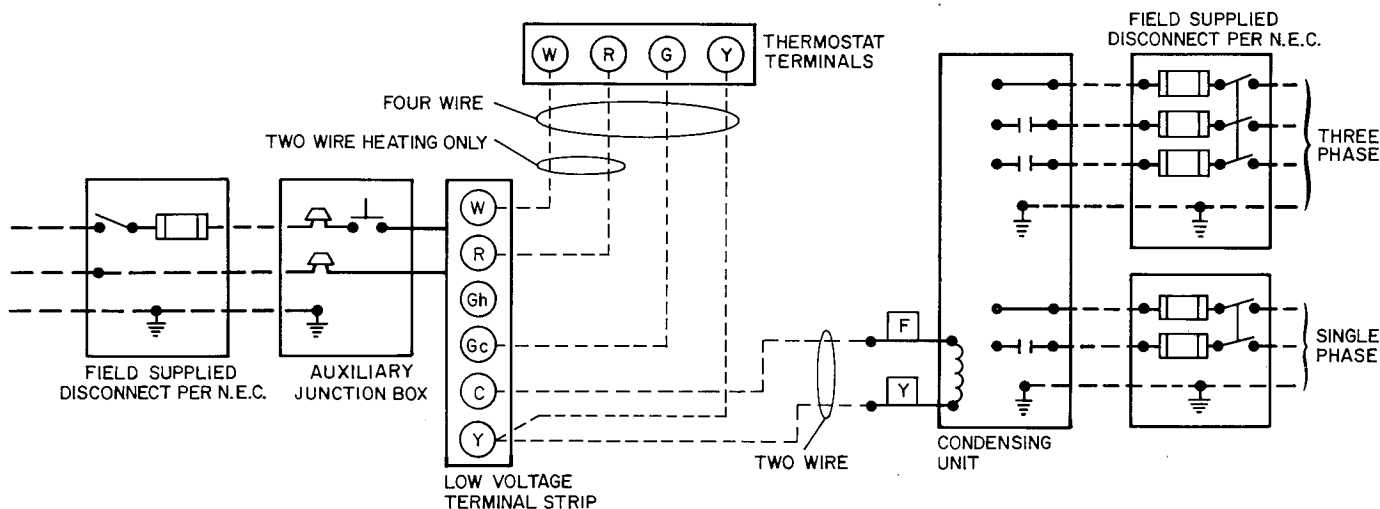


Fig. 12 — Heating and Cooling Application Wiring Diagram

See Fig. 12 for wiring diagram showing proper field high- and low-voltage wiring. Use separate fused branch electrical circuit containing proper fuse or HACR (Heating, Air Conditioning and Refrigeration)-type circuit breaker for this furnace. A disconnecting means must be located within sight from, and easily accessible from, the furnace. Blower door switch may be acceptable in some areas as a disconnect.

WARNING: Furnace must be electrically grounded in accordance with local codes and the National Electric Code, ANSI/NFPA 70-1984. Do not use gas piping as an electrical ground.

If line voltage wiring to unit is encased in non-metallic sheath, connect incoming ground wire to grounding wire inside furnace junction box. If metallic conduit is used, it will serve as ground.

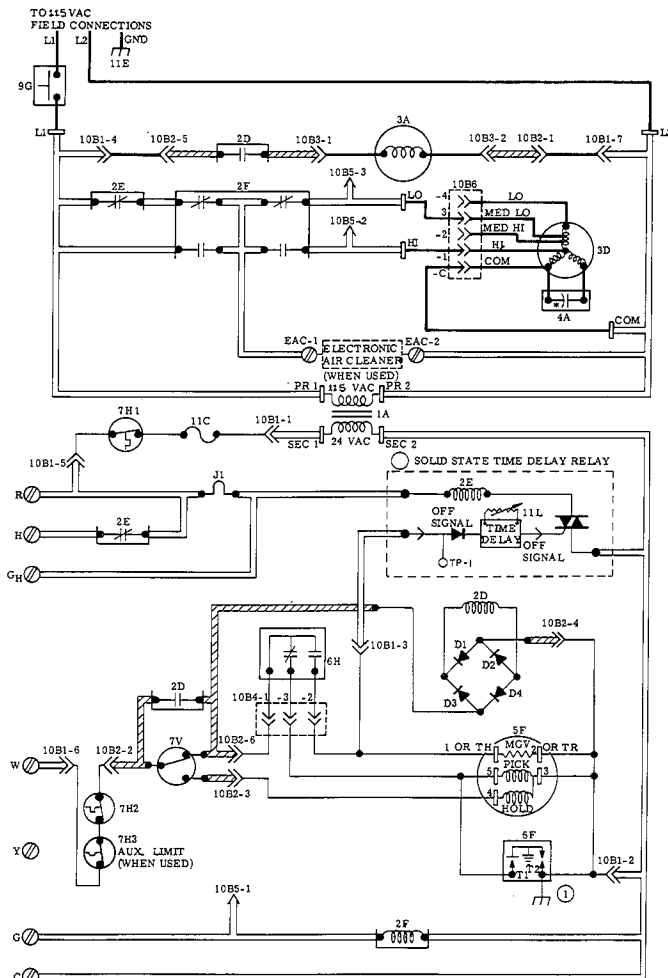
LOW-VOLTAGE WIRING — Make field low-voltage connections at low-voltage terminal strip. See Fig. 12.

NOTE: Use American Wire Gage (AWG) No. 18 color-coded copper thermostat wire for lengths up to 100 feet. Above 100 ft, use AWG No. 16 wire.

IMPORTANT: The thermostat heat anticipator must be set to match amp draw of gas valve and electrical components in R-W circuit. Accurate amp draw readings can be obtained at thermostat subbase terminals R and W. Figure 14 illustrates an easy method of obtaining actual amp draw. Take amp reading after blower motor has started.

Room thermostat should be located where it will be in natural circulation path of room air. Avoid locations where thermostat would be exposed to cold-air infiltration, drafts from windows, doors, or other openings leading to outside, or exposed to air currents from warm- or cold-air registers; or to exposure where natural circulation of air is cut off—such as behind doors, above or below mantels, shelves, etc.

Thermostat should not be exposed to heat from nearby fireplaces, radios, televisions, lamps, or rays from sun. Do not mount thermostat on a wall containing pipes, warm-air ducts, or a flue or vent that could affect its operation. Any hole in the plaster or panel through which thermostat wires pass should be adequately sealed with suitable material to prevent drafts from affecting thermostat.



LEGEND

- 1A — Transformer 115-VAC/24-VAC
 - 2D — Inducer Motor Relay DPST-N.O.
 - 2E — Heating Blower Relay(HFR) DPST-N.C.
 - 2F — Cooling Blower Relay (CFR) DPDT
 - 3A — Inducer Motor
 - 3D — Blower Motor
 - 4A — Run Capacitor
 - 5F — Gas Valve (Redundant)
 - 6C2 — P.C. Board (Inducer Control)
 - 6F — Spark Generator (Solid-State)
 - 6H — Pilot-Flame Sensing Switch SPDT (733B)
 - 7H1 — Limit Switch SPST-N.C.
 - 7H2 — Draft-Safeguard Switch (SPST-N.C.) Manual-Reset
 - 7H3 — Auxiliary Limit Switch (SPST-N.C.) Manual-Reset (When Used)
 - 7V — Flow Sensing Switch SPDT
 - 9G — Blower Door Interlock Switch SPST-N.O.
 - 10B1 — Edge Connector (Furnace Control Board)
 - 10B2 — Edge Connector (Inducer Control Board-7 CKT)
 - 10B3 — Edge Connector (Inducer Control Board-2 CKT)
 - 10B4 — Pilot Connector
 - 10B5 — Factory Test Points
 - 10B6 — Blower Motor Connector
 - 11C — Fusible Link (Overtemperature)
 - 11E — Equipment Ground
 - 11L — Adjustable Resistor (Off Time)
 - TP1 — Test Point
-
- Factory Wiring (115 VAC)
 - Factory Wiring (24 VAC)
 - Field Wiring (115 VAC)
 - Conductors on 6C1 (Furnace Control Board)
 - Conductors on 6C2 (Inducer Control Board)
 - Screw Terminal for Field Wiring
 - 1/4-in. Quick-Connect Terminals

Fig. 13 — Line to Line Wiring Diagram

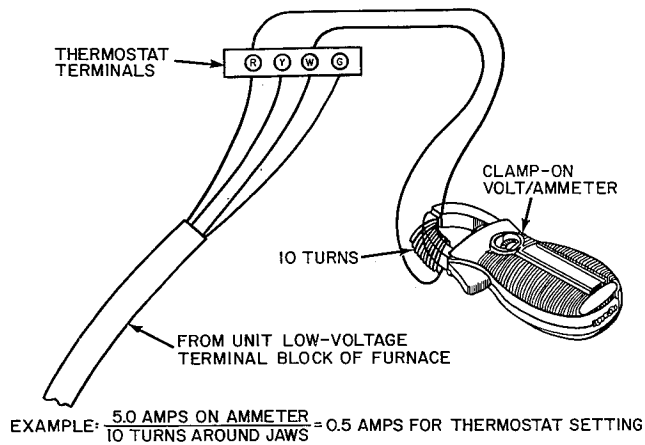


Fig. 14 — Amp Draw Check With Ammeter

BLOWER CONTROL CENTER — Furnace features a blower control center. This aids installer and serviceman when installing and servicing unit. A low-voltage terminal board is marked for easy connection of field wiring. See Fig. 15.

Main furnace control box features an adjustable blower-off timing device. Off-timing delay can be varied over a range of 90 — 240 seconds by turning off-timing adjustment control in direction indicated on label attached to side of control box. After a change in adjustment, time-delay circuit must be energized at least 4 minutes. This saturates solid-state circuit so that the off-time delay will be same as during normal furnace operation. Off-timing adjustment is set at factory for delay of approximately 240 seconds. See Fig. 15.

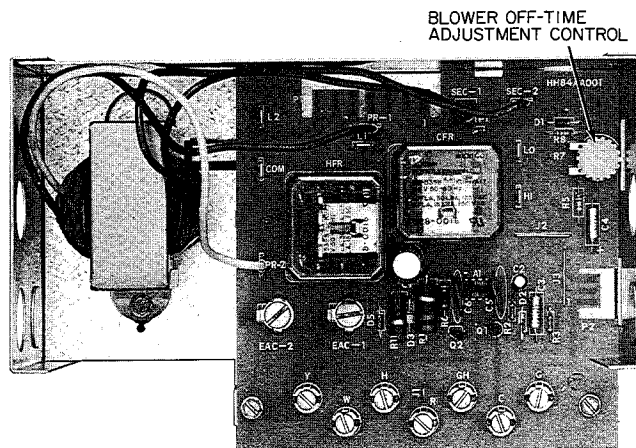


Fig. 15 — Blower Control Center

Sequence of Operation — Refer to wiring diagram, Fig. 13.

HEATING CYCLE

1. When blower door is in place, 115 volts is supplied through blower door interlock switch 9G. Transformer 1A is energized, supplying 24 volts to heating blower relay coil 2E, which opens normally closed blower relay contacts 2E in low-speed circuit of blower motor 3D.

2. Wall thermostat calls for heat, closing R and W circuit. This closed circuit supplies power to 24-volt safety circuit containing limit switch 7H1, fusible link 11C, manual reset draft safeguard switch 7H2, and manual reset auxiliary switch 7H3.
3. Simultaneously, PICK coil of gas valve 5F, spark generator 6F, and inducer-motor relay coil 2D are energized. Inducer-motor relay contacts 2D in the 115-volt circuit close, starting inducer blower motor 3A. Also, another set of contacts in inducer-motor relay 2D closes in 24-volt circuit, and locks in inducer-motor relay coil 2D. Coil is locked in until R and W circuit or safety circuit opens.
4. When PICK coil of gas valve 5F is energized, gas flows to pilot. Pilot gas is ignited by a spark produced by spark generator 6F. Simultaneously, inducer motor 3A comes up to speed, actuating flow sensing switch 7V, energizing HOLD coil of gas valve 5F. PICK coil of gas valve 5F and spark generator 6F are de-energized when contacts of pilot-flame sensing switch 6H move from normally closed position, breaking circuit to PICK coil and spark generator. In approximately 50 to 60 seconds normally open pilot-flame sensing contacts close, making circuit to MG V (Main Operator) of gas valve 5F. Gas valve 5F opens in approximately 10 seconds allowing gas flow to main burners, which are ignited by pilot 6H. Simultaneously, time-delay circuit 11L in blower control center is energized. Approximately 50 seconds after gas valve 5F opens, heating relay coil 2E is de-energized, which closes the 120-volt contacts of heating relay 2E, starting blower motor 3D on its heating speed.
5. When thermostat is satisfied, circuit between R and W is broken, de-energizing gas valve 5F, inducer motor relay 2D, and solid-state time-delay circuit on printed-circuit board. Gas flow stops immediately to pilot and main burners. After approximately 90 — 240 seconds, depending on off-time adjustment setting, heat relay 2E is energized and blower motor 3D stops.

NOTE: After brief interruption of either electric or gas supply, furnace will not resume operation until contacts of pilot-flame sensing switch 6H move from normally open to normally closed position.

COOLING CYCLE

1. Wall thermostat calls for cooling.
2. The R, G, and Y circuits are energized. Simultaneously, R and Y circuit starts outdoor condensing unit, and R and G circuit energizes cooling relay coil 2F, which closes normally open contacts 2F, energizing cooling speed winding of motor 3D and opening normally closed contacts of cooling relay 2F.

START-UP AND ADJUSTMENT

In addition to the following information, refer to Procedures for Induced-Draft Gas-Fired Furnaces packaged with the unit.

NOTE: Furnace blower door must be in place to complete 115-volt circuit to furnace.

CAUTION: Furnace is equipped with a fusible link in vestibule area. Link will melt if overheating condition caused by inadequate combustion air supply or improper venting practices develops. *Do not* jumper this fuse. Correct condition and replace fuse with identical part.

Gas service pressure must not exceed 14 in. wg (8.1 oz) for natural gas, or 11 in. wg (6.3 oz) for LP (propane).

NOTE: 035, 055, 070, 090 and 110 models are not for use with LP gas.

NOTE: Gas valve regulator has been factory set at 3.5 in. wg for natural gas and 10.5 in. wg for LP (propane). Refer to Procedures for Induced-Draft Gas-Fired Furnaces for readjusting when checking input.

Adjustment of Blower Speed

WARNING: Disconnect electrical power before changing speed tap.

To change motor speed taps, remove motor tap lead. See Table 6. Relocate it on desired terminal on plug-in terminal block/speed selector located on blower.

CAUTION: When adjusting blower speed, make certain that temperature rise across heat exchanger does not exceed that specified on rating plate.

Table 6 — Speed Selector

Speed	Tap No.	Color
Common	C	White
Hi	1	Black
Med-Hi	2	Yellow
Med-Low	3	Blue
Low	4	Red

Automatic Gas Control Valve — Unit is equipped with an automatic gas control valve. If not already checked when lighting main burner, check proper operation of valve by moving room thermostat pointer above room temperature, and observing that main burners light on call for heat (there will be a time delay), and go off when pointer is moved below room temperature setting.

NOTE: For ease of adjusting pilot flame, disconnect and tape one power lead at main gas valve. For Model 646 gas valve, disconnect terminal no. 1. This prevents main burner ignition and allows time to adjust pilot. Reconnect power lead after adjustment.

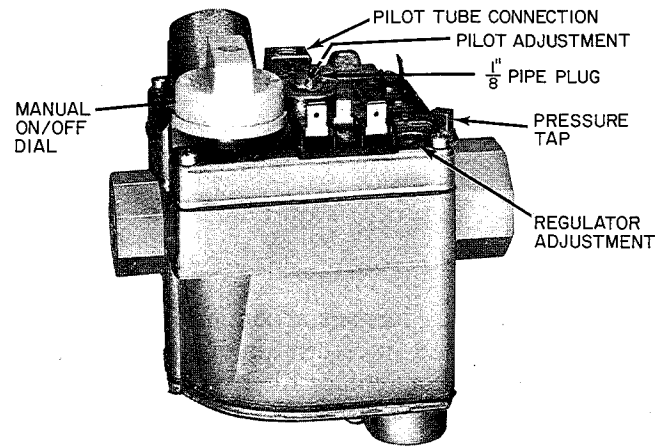


Fig. 16 — Redundant Automatic Gas Control Valve

CARE AND MAINTENANCE

CAUTION: To prevent possible damage to equipment or personal injury, maintenance should be performed only by qualified persons.

WARNING: Never store anything near furnace, such as:

1. Aerosol cans, rags, brooms, dust mops, cleaning aids and tools.
2. Soap powders, bleaches, waxes or other cleaning compounds; plastics, gasoline, kerosene, lighter fluids, dry cleaning fluids or other combustible fluids.
3. Paint thinners, painting compounds, paper products.

For continuing high performance, and to minimize possible equipment failure, it is essential that periodic maintenance be performed on this equipment. Consult dealer as to proper frequency of maintenance and availability of a maintenance contract.

Ability to properly perform maintenance on this equipment requires certain mechanical skills and tools. If you do not possess them, contact dealer for maintenance.

WARNING: Turn off gas and electrical supplies to unit before performing any maintenance or service on unit. Follow relighting instructions on plate attached to furnace.

Minimum Maintenance Requirements

1. Check and clean or replace air filter each month or as required.
2. Check blower motor and wheel for cleanliness and lubrication each heating and cooling season. Clean and lubricate as necessary.

3. Check electrical connections for tightness and controls for proper operation each heating season. Service as necessary.

WARNING: As with any mechanical equipment, personal injury can result from sharp metal edges, etc. Be careful when removing parts.

Air Filter — Each furnace accommodates 2 filters which are installed in return-air duct. See Fig. 10 and 11. To clean or replace filters:

1. Disconnect electrical power before removing access panel.
2. Remove upper access panel.
3. Reach up behind top plate, tilt filters toward center of return-air plenum, remove filters. Replace or clean as needed.
4. Furnaces are equipped with permanent, washable filters. Clean filters as follows:
 - a. Clean with tap water.
 - b. Rinse and let dry. No oiling or coating of filters is required.
 - c. Reinstall filters with cross-hatch binding facing blower.

Blower Motor Wheel

1. Remove blower access panel.
2. Remove vent pipe enclosure.
3. Disconnect vent pipe and remove short piece of pipe from furnace.
4. Disconnect wires from auxiliary limit on blower housing.

NOTE: For ease of blower removal, it may be necessary to remove control box on some sizes.

5. Remove blower assembly from furnace.
6. Remove motor from blower housing.
7. Lubricate motor using good grade of SAE 20 nondetergent motor oil. Put one teaspoon, 5cc, 3/16 oz., or 16 to 25 drops in each oil port.
8. Remove blower wheel from housing and clean by using vacuum with soft brush attachment. Be careful not to disturb balance weights (clips) on blower wheel vanes.

CAUTION: Be sure motor is properly positioned in blower housing. Motor oil ports must be at a minimum of 45° above horizontal centerline of motor after blower assembly has been reinstalled in furnace.

9. Reassemble furnace by reversing above procedures.

When more detailed servicing procedure is required, see furnace Service Manual available from dealer.

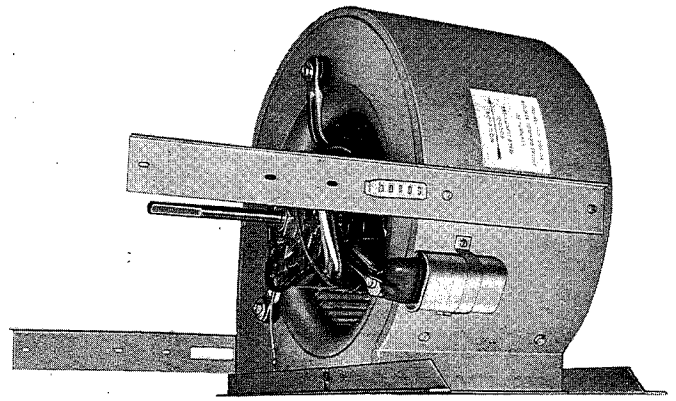


Fig. 17 — Dual Blower With Left-Hand Housing and Wheel Removed

Cleaning Heat Exchanger

NOTE: Deposits of soot and carbon indicate that a problem exists. Action must be taken to correct the problem.

To clean heat exchanger of carbon deposits, soot, etc.:

1. Turn off gas and power to furnace.
2. Remove control and blower access doors.
3. Remove vent pipe enclosure and disconnect vent pipe from relief box.
4. Remove 4 screws that secure relief box to blower shelf.
5. Disconnect 2 wires from safeguard switch.
6. Disconnect wire harness edge connector from side of inducer control box.
7. Remove 8 screws that secure flue collector box to center panel. Use care not to damage sealant.
8. Remove complete inducer assembly from furnace, exposing flue openings.
9. Remove flue choke.
10. Clean cells using field-supplied small wire brush, steel spring cable, reversible electric drill and vacuum cleaner:
 - a. Assemble wire brush and steel spring cable.
 - 1) Use 4 ft of 1/4-in. diameter high-grade steel spring cable (commonly known as drain cleanout or Roto-Rooter cable).
 - 2) Use 1/4-in. diameter wire brush (commonly known as 25-caliber rifle cleaning brush).

NOTE: Items called for in Steps 1 and 2 may be purchased at local hardware store.
 - 3) Remove metal screw fitting from wire brush to allow insertion into cable.
 - 4) Insert twisted wire end of brush into end of spring cable, and crimp tight with crimping tool or strike with ball-peen hammer. *Tightness is very important.*
- b. Clean each heat exchanger cell.
 - 1) Attach variable-speed reversible drill to end of spring cable (end opposite brush).

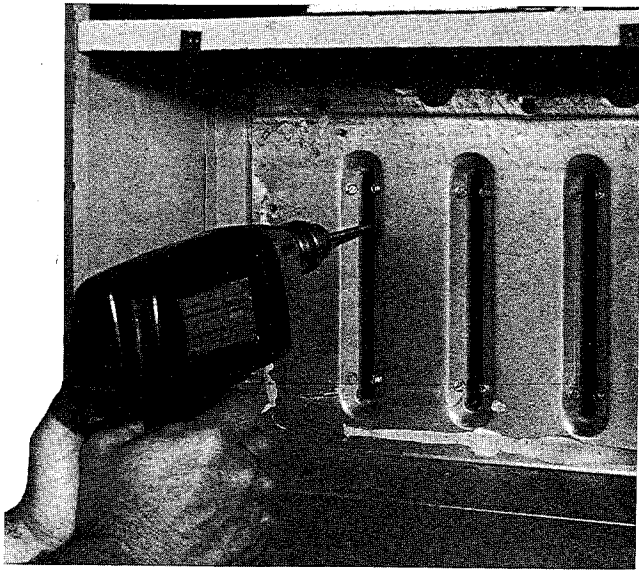


Fig. 18 — Cleaning Heat Exchanger Cell

- 2) Insert brush end of cable into upper opening of cell and slowly rotate with drill. *Do not* force cable. Gradually insert at least 3 ft of cable into 2 upper passes of cell. See Fig. 18.
- 3) Work cable in and out of cell 3 or 4 times to sufficiently clean. *Do not* pull cable with great force. Reverse drill and gradually work cable out.
- 4) Remove burner assembly and flame radiators. Identify gas valve leads.
- 5) Insert brush end of cable in lower opening of cell. Clean 2 lower passes of cell in same manner as 2 upper passes.
- 6) Repeat above procedures until each cell in furnace has been cleaned.
- 7) Using vacuum cleaner, remove residue from each cell.
- 8) Using vacuum cleaner with soft brush attachment, clean burner assembly.
- 9) Reinstall burner assembly and flame radiators. Take care to center flame radiators in the cell openings. Refer to furnace wiring diagram when reconnecting gas valve leads.
11. After cleaning flue openings, check sealant on flue collector to ensure it has not been damaged. If new sealant is needed, contact dealer.
12. Replace flue choke.
13. Clean and replace flue collector assembly, making sure all 8 screws are secure.
14. Replace 4 screws that secure relief box to blower shelf.
15. Reconnect 2 wires to safeguard switch.
16. Reconnect wire harness edge connector to side of inducer control box.

17. Reconnect vent pipe to relief box. Reinstall pipe enclosure.
18. Replace blower door only.
19. Turn on power and gas.
20. Set thermostat. Check furnace for proper operation.
21. Check for gas leaks.
22. Replace control door.

WARNING: Never use a match or other open flame to check for gas leaks. Use a soap and water solution.

Pilot — Check pilot and clean if necessary at beginning of each heating season. Pilot flame should be high enough for proper impingement of safety element and to light burners. Remove accumulation of soot and carbon from safety element or sensing probe and check electrode position. See Fig. 19.

Flame Radiators (if used) — Radiators should be checked for distortion and deterioration at the beginning of each heating season. Replace if necessary.

Electrical Controls and Wiring

NOTE: There may be more than one electrical supply to unit.

With power to unit disconnected, check all electrical connections for tightness. Tighten all screws on electrical connections. If any smoky or burned connections are noticed, disassemble connection, clean all parts and stripped wire, reassemble properly and securely. Electrical controls are difficult to check without proper instrumentation; therefore, reconnect electrical power to unit and observe unit through one complete operating cycle. If there are any discrepancies in operating cycle, contact dealer and request service.

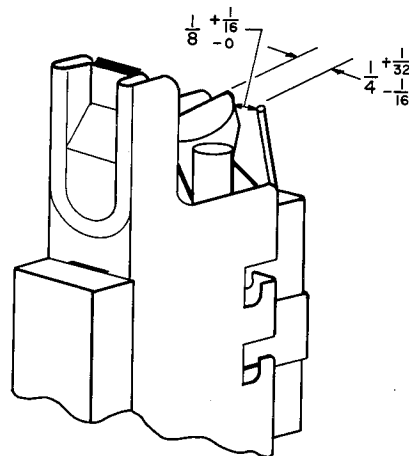


Fig. 19 — Position of Electrode to Pilot (in.)

For replacement items use Carrier Specified Parts.

Manufacturer reserves the right to discontinue, or change at any time, specifications or designs without notice and without incurring obligations.

Book	1	4
Tab	6a	8a

Free Manuals Download Website

<http://myh66.com>

<http://usermanuals.us>

<http://www.somanuals.com>

<http://www.4manuals.cc>

<http://www.manual-lib.com>

<http://www.404manual.com>

<http://www.luxmanual.com>

<http://aubethermostatmanual.com>

Golf course search by state

<http://golfingnear.com>

Email search by domain

<http://emailbydomain.com>

Auto manuals search

<http://auto.somanuals.com>

TV manuals search

<http://tv.somanuals.com>