

KIT63000
Replacement Power Supply Kit for
GAPAB Infinity™ Air Purifier



Turn to the Experts™


Installation Instructions

NOTE: Read the entire instruction manual before starting the install.

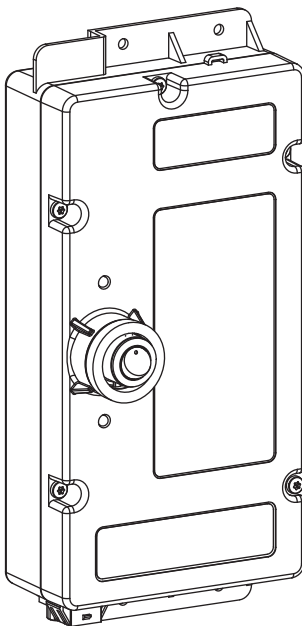
SAFETY CONSIDERATIONS:

Improper installation, adjustment, alteration, service, maintenance, or use can cause explosion, fire, electrical shock, or other conditions which may cause personal injury or property damage.

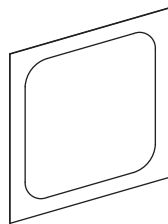
Follow all safety codes. Wear safety glasses and work gloves. Have a fire extinguisher available. Read these instructions thoroughly and follow all warnings or cautions attached to the unit.

It is important to recognize safety information. This is the safety-alert symbol . When you see this symbol on the unit and in instructions or manual, be alert to the potential for personal injury. Understand the signal words DANGER, WARNING, and CAUTION. These words are used with the safety-alert symbol. DANGER identifies the most serious hazards which **will** result in severe personal injury or death. WARNING signifies hazards which **could** result in personal injury or death. CAUTION is used to identify unsafe practices **may** result in personal injury or product and property damage. NOTE is used to highlight suggestions which **will** result in enhanced installation, reliability or operation.

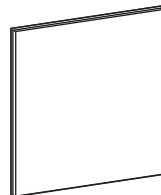
KIT CONTENTS:



Power Supply Module (x1)



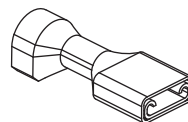
Alcohol Swab (x1)



Splice Insulation Tape (x2)



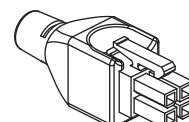
Butt Connector (x1)



1/4" Quick Disconnect Terminal (x1)



Installation Manual (x1)



Air Flow Bypass Plug (x1)

REMOVING THE OLD POWER SUPPLY:

- 1: Turn off power to the heating and cooling system and to the Infinity™ air purifier.
- 2: Remove the air purifier door (Fig. 1). Disconnect the power cord and air flow sensor cables from the power supply module (Fig. 2).
- 3: Remove the filter and enhancement module from the air purifier cabinet (Fig. 3) and place on a flat surface in a well lit area.

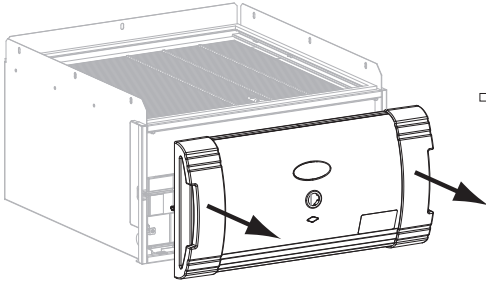


Fig. 1

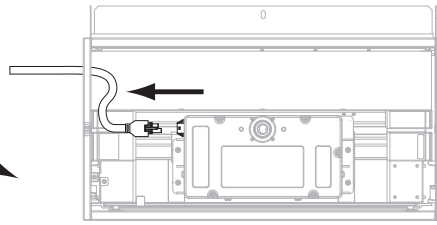


Fig. 2

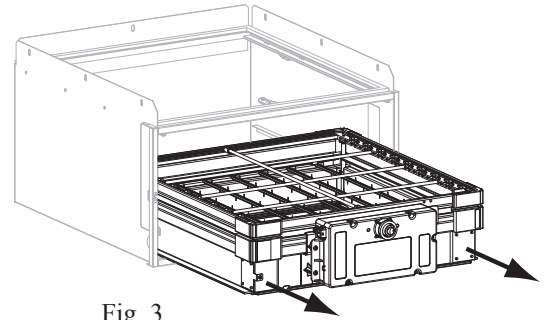


Fig. 3

- 4: Disconnect the green ground wire from the enhancement module (Fig. 4).
- 5: Cut the two high voltage wires where they exit the power supply enclosure (Fig. 5).

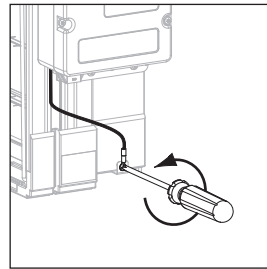


Fig. 4

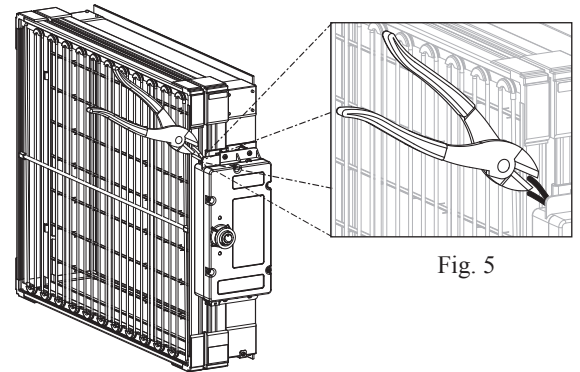


Fig. 5

- 6: Disconnect the 1/4" quick disconnect terminal (with the cut wire) from the ionization array and discard (Fig. 6) - this may require the use of needle-nose pliers.
- 7: Cut the splice away from the media enhancement grid wire (Fig. 7). Cut the media enhancement grid wire next to the wire splice under the heat shrink tubing (Fig. 8).

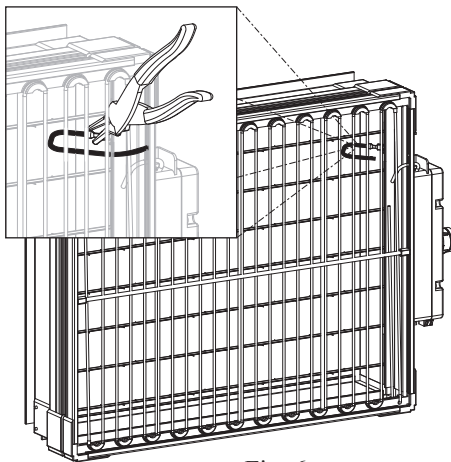


Fig. 6

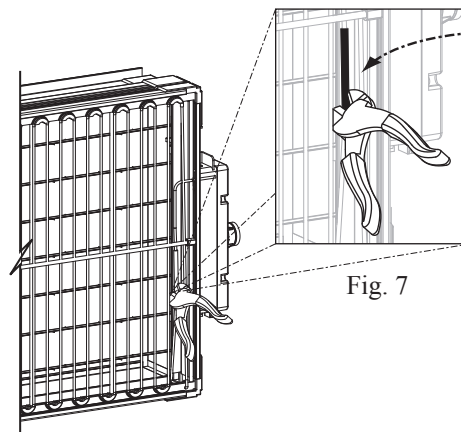


Fig. 7

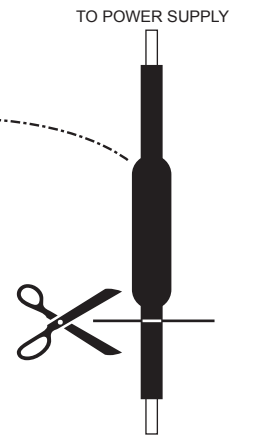


Fig. 8

⚠ CAUTION

CUT HAZARD

Failure to follow this caution may result in personal injury. Sheet metal parts may have sharp edges or burrs. Use care and wear appropriate protective clothing and gloves when handling parts.

⚠ WARNING

ELECTRICAL SHOCK & HIGH VOLTAGE HAZARD

Failure to follow this warning could result in personal injury or death.

Before installing or servicing system, always turn off main power to system. There may be more than one (1) disconnect switch.

- 8: Remove the power supply module from the enhancement module by unscrewing the four Phillips head screws (Fig. 9).

You are now ready to install the new power supply.

INSTALLING THE NEW POWER SUPPLY:

- 1: Strip the red and black replacement power supply wires $\frac{1}{4}$ " from ends.
- 2: Insert the high voltage wires through the holes in the enhancement face (Fig. 10-A). Make sure the wires do not kink or have twists in them.
- 3: Mount the new power supply module to the enhancement module using the four screws removed earlier (Fig. 10-B).

NOTE: Make sure the green ground wire runs down the groove in the enhancement module face behind the power supply enclosure.

- 4: Reconnect the green ground wire to the enhancement module (Fig. 11).
- 5: Crimp the new $\frac{1}{4}$ " quick disconnect terminal onto the red replacement power supply wire and connect to the ionization array (Fig. 12). This may require the use of needle-nose pliers.

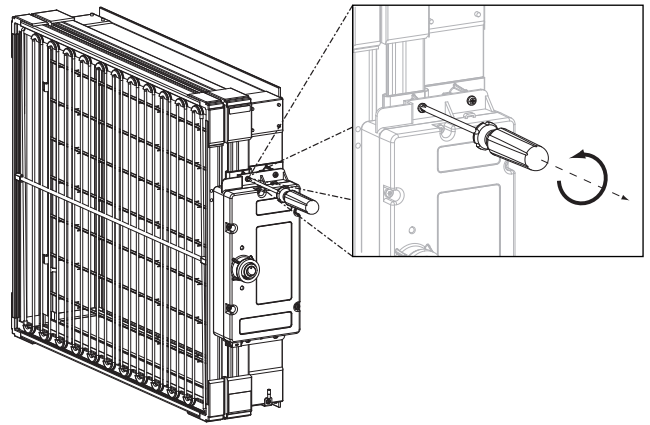


Fig. 9

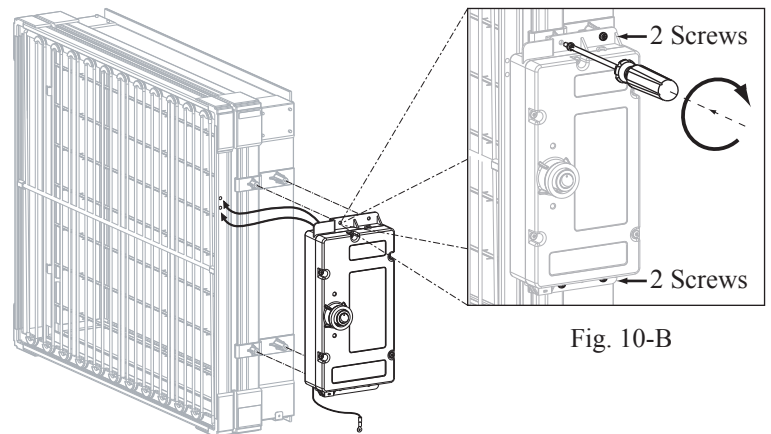


Fig. 10-B

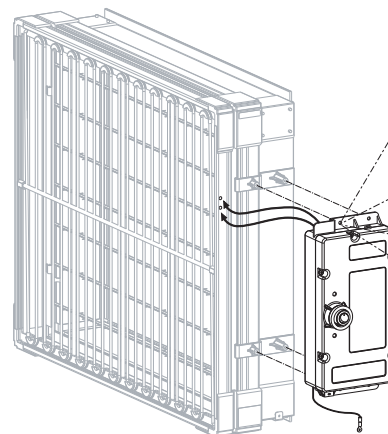


Fig. 10-A

CAUTION

UNIT OPERATION HAZARD

Failure to follow this caution may result in equipment damage or improper operation.

Improper wiring will reduce unit performance.

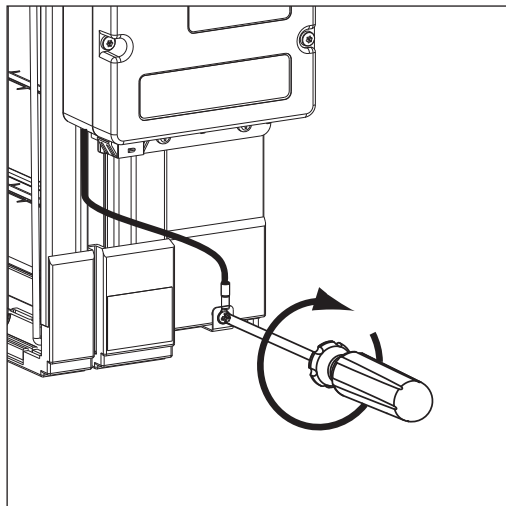


Fig. 11

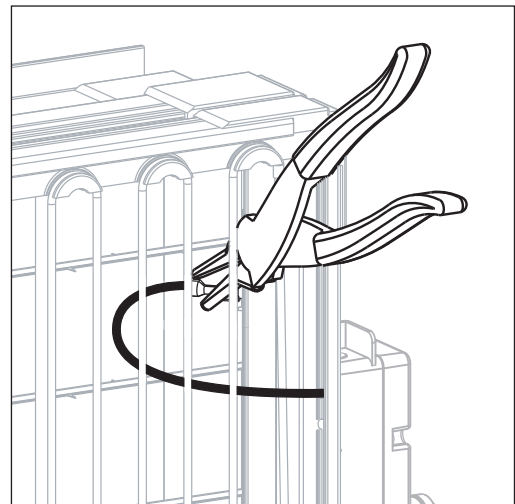


Fig. 12

- 6: Crimp the butt connector to the severed media cartridge enhancement grid wire (Fig. 13). Please note that the grid wires will typically be black.
- 7: Crimp the opposite side of the butt connector to the black replacement power supply wire (Fig. 14).

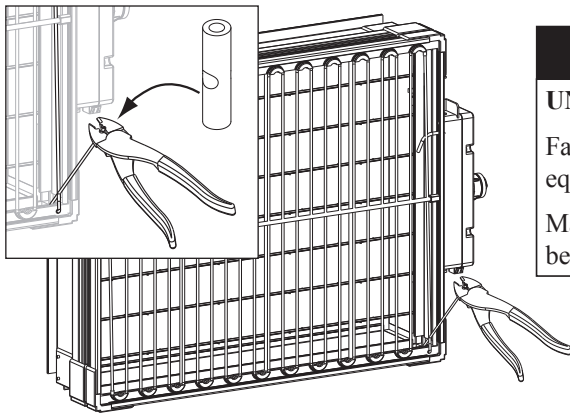


Fig. 13

⚠ CAUTION
UNIT OPERATION HAZARD
 Failure to follow this caution may result in equipment damage or improper operation.
 Make sure the high voltage wire is routed behind the horizontal fiberglass rod.

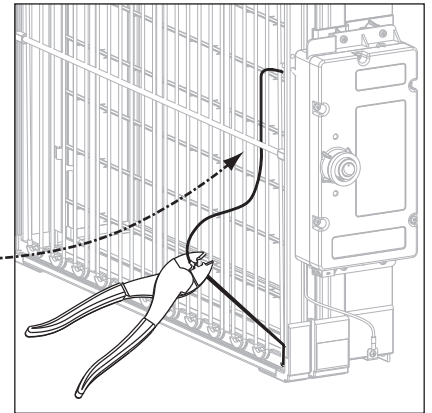


Fig. 14

⚠ CAUTION
UNIT OPERATION HAZARD
 Failure to follow this caution may result in equipment damage or improper operation.
 At this point it is critical that your hands are clean before applying the splice insulation tape around the butt connector. Dirt and/or oil can contaminate the insulation and cause the splice to fail.

- 8: Clean the butt connector and at least two (2) inches of the wires on either side with the alcohol swab (Fig. 15).
- 9: Remove the backing paper from the splice insulation tape and center on the butt connector along the length of the tape. Tightly wrap the insulation tape around the butt connector and wires (Fig. 16).
- 10: Tuck the completed splice behind the media cartridge enhancement grid (Fig. 17).
- 11: Insert the enhancement module back into the air purifier cabinet and reconnect the power and air flow sensor cables.
- 12: Replace the door, turn the Infinity™ air purifier power switch to the on position, and turn on the power to the heating and cooling system.

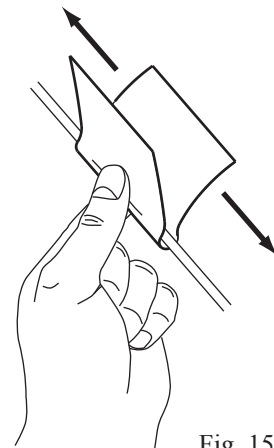


Fig. 15

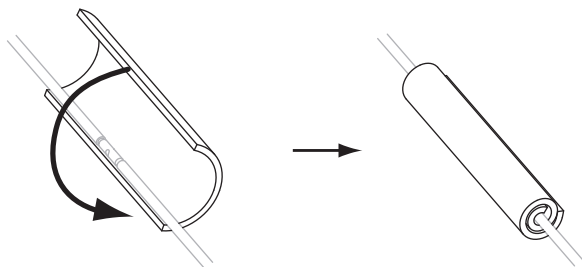


Fig. 16

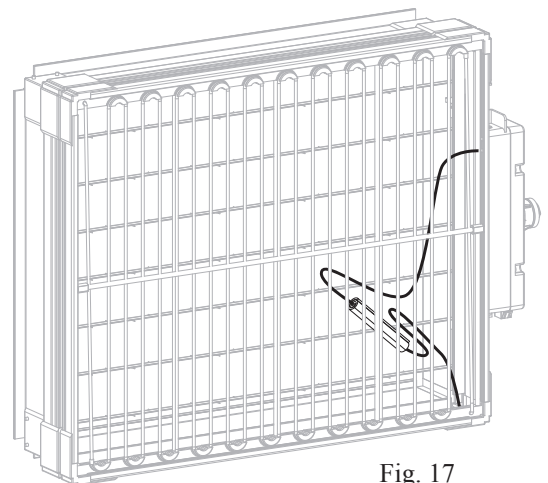


Fig. 17

Free Manuals Download Website

<http://myh66.com>

<http://usermanuals.us>

<http://www.somanuals.com>

<http://www.4manuals.cc>

<http://www.manual-lib.com>

<http://www.404manual.com>

<http://www.luxmanual.com>

<http://aubethermostatmanual.com>

Golf course search by state

<http://golfingnear.com>

Email search by domain

<http://emailbydomain.com>

Auto manuals search

<http://auto.somanuals.com>

TV manuals search

<http://tv.somanuals.com>