



# Installation, Start-Up and Service Instructions

## CONTENTS

	Page
<b>SAFETY CONSIDERATIONS</b> .....	1
<b>INSTALLATION</b> .....	1-37
<b>Step 1 — Rig and Place Unit</b> .....	1
• DOMESTIC UNITS	
• EXPORT UNITS	
• PLACING UNITS	
<b>Step 2 — Check Compressor Mounting</b> .....	3
• UNITS 38AH044-084	
• UNITS 38AH094-134	
<b>Step 3 — Make Refrigerant Piping Connections</b> .....	13
• UNITS 38AH044-084	
• UNITS 38AH094-134	
<b>Step 4 — Make Electrical Connections</b> .....	23
• POWER SUPPLY	
• FIELD POWER CONNECTIONS	
• MAIN POWER	
• CONTROL CIRCUIT WIRING	
<b>Step 5 — Install Accessories</b> .....	37
• LOW-AMBIENT OPERATION	
• MISCELLANEOUS ACCESSORIES	
<b>PRE-START-UP</b> .....	37
<b>START-UP</b> .....	37-43
<b>SERVICE</b> .....	44-47
<b>CONTROL</b> .....	47-50
<b>TROUBLESHOOTING</b> .....	51,52
<b>START-UP CHECKLIST</b> .....	CL-1, CL-2

## SAFETY CONSIDERATIONS

Installing, starting up, and servicing this equipment can be hazardous due to system pressures, electrical components, and equipment location (roofs, elevated structures, etc.).

Only trained, qualified installers and service mechanics should install, start up, and service this equipment.

Untrained personnel can perform basic maintenance functions, such as cleaning coils. All other operations should be performed by trained service personnel.

When working on the equipment, observe precautions in the literature, and on tags, stickers, and labels attached to the equipment and any other safety precautions that may apply.

- Follow all safety codes.
- Wear safety glasses and work gloves.
- Use care in handling, rigging, and setting bulky equipment.



### ELECTRIC SHOCK HAZARD.

Open all remote disconnects before servicing this equipment.

## INSTALLATION

**Step 1 — Rig and Place Unit** — All units are designed for overhead rigging, and *it is important that this method be used*. Lifting holes are provided in the frame base rails, which are marked for rigging (see rigging label on the unit and Tables 1, 2A, and 2B for rigging weights and center of gravity). It is recommended that field-supplied pipes, of sufficient length to extend at least 12-in. (305 mm) beyond the frame, be passed through the holes.

To maintain unit stability while lifting, use 4 cables, chains, or straps of equal length. Attach one end of each cable to one pipe end and the other end of each cable to the overhead rigging point.

*Use spreader bars or frame to keep the cables, chains, and straps clear of the unit sides.* Leave standard coil protection packaging in place during rigging to provide protection to coils. Remove and discard all coil protection after rigging cables are detached.

**DOMESTIC UNITS** — For units 38AH044-084, 124, and 134; standard unit packaging consists of coil protection only. There is no standard packaging provided for units 38AH094 and 104. *Skids are not provided.* If overhead rigging is not available at the jobsite, place the unit on a skid or pad before dragging or rolling. When rolling, use a minimum of 3 rollers. When dragging, pull the pad or skid. *Do not apply force to the unit.* When in final position, raise from above to lift unit off the pad or skid.

**EXPORT UNITS** — All export units are mounted on skids with vertical coil protection. Leave the unit on the skid until it is in final position. *While on the skid, the unit can be rolled or skidded. Apply force to the skid, not to the unit.* Use a minimum of 3 rollers when rolling. When in final position, raise from above to remove the skid.

### PLACING UNITS

**Units 38AH044-084** — Refer to Fig. 1 and 2 for airflow clearances. Recommended minimum clearances are 6 ft (1829 mm) for unrestricted airflow and service on sides of unit, 5 ft (1524 mm) on ends, and unrestricted clear air space above the unit. Provide ample space to connect liquid and suction lines to indoor unit. For multiple units, allow 8 ft (2440 mm) separation between units for airflow and service.

## CAUTION

Do not forklift these units unless the unit is attached to a skid designed for forklifting.

The placement area must be level and strong enough to support the operating weight of the unit (see Table 3A or 3B). When unit is in proper location, use of mounting holes in base rails is recommended for securing unit to supporting structure. For mounting unit on vibration isolators, a perimeter support channel between the unit and the isolators is recommended. Fasteners for mounting unit are field supplied. Be sure to mount unit level to ensure proper oil return to compressors.

**Units 38AH094-134** — Refer to Fig. 3-6 for airflow clearances. Recommended minimum clearances are 6 ft (1829 mm) for unrestricted airflow and service on sides of unit, 5 ft (1524 mm) on ends, and unrestricted clear air space above unit. Provide ample space to connect liquid and suction lines to indoor unit. For multiple units, allow 8 ft (2440 mm) separation between units for airflow and service.

**⚠ CAUTION**

Do not forklift these units unless the unit is attached to a skid designed for forklifting.

The placement area must be level and strong enough to support the operating weight of the unit. See Table 4A or 4B. Refer to the following paragraphs for the proper placement of the unit.

**Units 38AH094,104** — For mounting units on vibration isolators, a perimeter support channel is required between the unit and the support isolators. The perimeter support channel must be sized to support the fully assembled unit. Do not

support units on individual isolation supports. Support channel, hardware, and fasteners are field supplied. When unit is in proper location, level unit and bolt into position with field-supplied bolts.

**Units 38AH124,134** — For ease of shipment and handling, unit 38AH124 is shipped as 2 modules (124A and 124B) and unit 38AH134 is shipped as 2 modules (134A and 134B). The modules must be connected at the final installation site with the factory-shipped piping and sheet metal trim kit mounted on Module 124A or 134A. See Fig. 7.

**⚠ WARNING**

Do not move assembled 38AH124 or 134 units as a single assembly. Always move modules individually during installation or at any other time.

Mark installation site for placement of Modules 124A and 124B or Modules 134A and 134B. See Table 4A or 4B for final assembled dimensions. A service space of 24 in. (610 mm) is required between the 2 modules for piping and sheet metal trim installation.

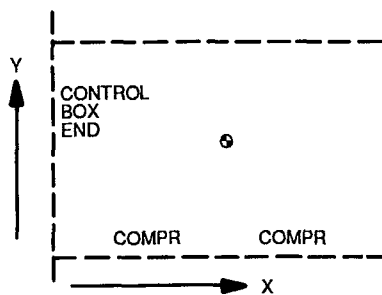
Place Module 124A or 134A in position, ensuring that the control box is at the end opposite the service space. See Fig. 8.

Remove sheet metal and tubing from Module 124A or 134A sheet metal trim kit (Fig. 7). Remove sheet metal cover panels from return-bend end of unit facing the service space. See Fig. 8. These panels may be discarded or saved for re-installation if module is moved from site. See Fig. 9.

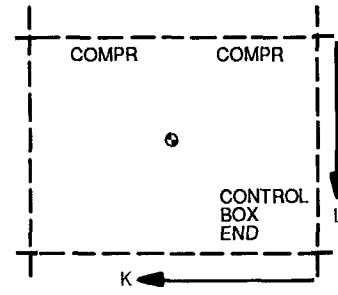
**Table 1 — Rigging Center of Gravity — in. (mm)**

UNIT 38AH	044	054	064	074	084	094	104	MODULE 124A	MODULE 124B	MODULE 134A	MODULE 134B
Dimension X	49 (1232)	48 (1224)	50 (1260)	57 (1443)	57 (1448)	66 (1676)	63 (1600)	50 (1260)	—	50 (1260)	—
Dimension Y	39 (984)	39 (978)	38 (968)	39 (993)	39 (991)	31 (787)	34 (851)	38 (968)	—	38 (968)	—
Dimension X-C	49 (1234)	48 (1229)	50 (1261)	56 (1425)	56 (1422)	66 (1676)	63 (1600)	50 (1260)	—	50 (1260)	—
Dimension Y-C	39 (993)	39 (991)	39 (986)	40 (1006)	40 (1008)	31 (787)	34 (851)	39 (986)	—	39 (986)	—
Dimension K	—	—	—	—	—	—	—	—	50 (1260)	—	57(1443)
Dimension L	—	—	—	—	—	—	—	—	38 (968)	—	39 (993)
Dimension K-C	—	—	—	—	—	—	—	—	50 (1260)	—	56 (1425)
Dimension L-C	—	—	—	—	—	—	—	—	39 (986)	—	40 (1006)

**LEGEND**  
 — — Not Applicable  
 C — Copper Fin Coils



**TOP VIEW, TYPICAL**



**124, 134 ONLY**

Remove sheet metal cover panels from return-bend end of Module 124B or 134B. Place Module 124B or 134B in position. The exposed return-bend ends of each module are now opposite each other and facing the service space. The compressors of each module are on opposite sides of the unit.

**IMPORTANT:** Modules must be placed 24 in. (610 mm) apart and square relative to each other.

The modules are now in position for piping installation and final assembly. See Fig. 8. For mounting units on vibration isolators, a perimeter support channel is required between the assembled unit and the support isolators. The perimeter support channel must be sized to support the fully assembled unit. Do not support modules on individual isolation supports. Support channel, hardware, and fasteners are field supplied.

**Table 2A — Operational Corner Weights with Refrigerant Charge (Approximate) — Lb**

UNIT 38AH	TOTAL WEIGHT	OPERATIONAL CORNER WEIGHT			
		A	B	C	D
044	3259	939	893	695	732
044C	3547	1013	967	765	802
054	3309	964	905	697	742
054C	3597	1034	978	771	814
064	3565	1018	1011	765	771
064C	3998	1125	1117	874	879
074	3812	1146	986	777	903
074C	4229	1272	1059	862	1035
084	4057	1220	1049	827	961
084C	4735	1425	1186	965	1159
094	5088	1114	2192	1182	601
094C	5813	1273	2504	1350	686
104	5435	1240	2138	1302	755
104C	6160	1405	2423	1476	856
<b>MODULE 38AH</b>					
124A	3630	1037	1030	779	785
124A-C	4063	1144	1137	889	894
124B	3630	1037	1030	779	785
124B-C	4063	1144	1137	889	894
134A	3630	1037	1030	779	785
134A-C	4063	1144	1137	889	894
134B	3877	1167	997	789	924
134B-C	4294	1293	1080	874	1047

**LEGEND**

**C** — Copper Fin Coils

NOTE: Total weight may differ from summation of corner weights due to rounding of numerals

When unit is in proper location, level unit and bolt into position with field-supplied bolts.

**Step 2 — Check Compressor Mounting**

UNITS 38AH044-084 — Compressors are mounted on pans and are held down by 4 bolts during shipment. After unit is installed, loosen each of these bolts until the snubber washer can be moved with finger pressure. See Fig. 10.

UNITS 38AH094-134 — Units 38AH094 and 104 compressors are mounted on rails and held down by rail bolts during shipment. After unit is installed, loosen the rail bolts to allow the rails and compressors to float freely on the springs located under the rails. See Fig. 10.

Units 38AH124 and 134 compressors are mounted on pans and are held down by 4 bolts during shipment. After unit is installed, loosen each of these bolts until snubber washer can be moved with finger pressure. See Fig. 10.

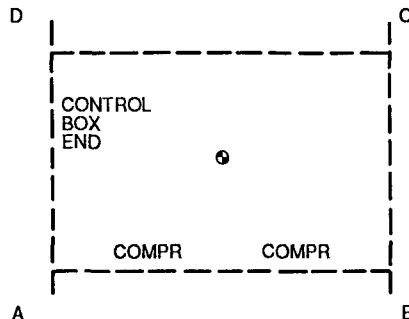
**Table 2B — Operational Corner Weights with Refrigerant Charge (Approximate) — Kg**

UNIT 38AH	TOTAL WEIGHT	OPERATIONAL CORNER WEIGHT			
		A	B	C	D
044	1478	426	405	316	332
044C	1609	460	438	347	364
054	1501	437	411	316	337
054C	1632	469	444	350	369
064	1617	462	459	347	350
064C	1813	510	508	397	399
074	1729	520	447	352	410
074C	1918	577	481	391	470
084	1840	553	476	375	436
084C	2148	646	538	438	526
094	2308	505	994	536	272
094C	2637	577	1136	612	311
104	2465	562	970	591	342
104C	2794	637	1099	670	388
<b>MODULE 38AH</b>					
124A	1647	470	467	353	356
124A-C	1843	519	516	403	405
124B	1647	470	467	353	356
124B-C	1843	519	516	403	405
134A	1647	470	467	353	356
134A-C	1843	519	516	403	405
134B	1759	529	452	358	419
134B-C	1948	587	490	396	475

**LEGEND**

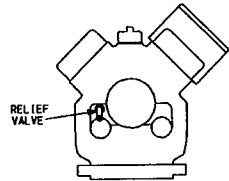
**C** — Copper Fin Coils

NOTE: Total weight may differ from summation of corner weights due to rounding of numerals



TOP VIEW, TYPICAL

	DUAL CKT	SINGLE CKT
SUCTION CONNECTION(S)	2½" Dia [54 mm]	2½" Dia [67 mm]
LIQUID CONNECTION(S)	7⁄8" Dia [22 mm]	1½" Dia [29 mm]
SUCTION C	2'-1½" [627mm]	1'-10½" [567mm]
LIQUID D	1'-10½" [561mm]	1'-10½" [567mm]
SUCTION (Ckt A)	1'-7¼" [503mm]	2'-½" [626mm]
SUCTION (Ckt B)	2'-½" [626mm]	—
LIQUID (Ckt A)	2'-5¾" [756mm]	2'-10½" [879mm]
LIQUID (Ckt B)	2'-10½" [879mm]	—



RELIEF VALVES LOCATED ON THE COMPRESSORS ARE EQUIPPED WITH A 3/8" SAE FLARE FOR FIELD CONNECTION  
SCALE 1:8

**CONTROL BOX  
END**

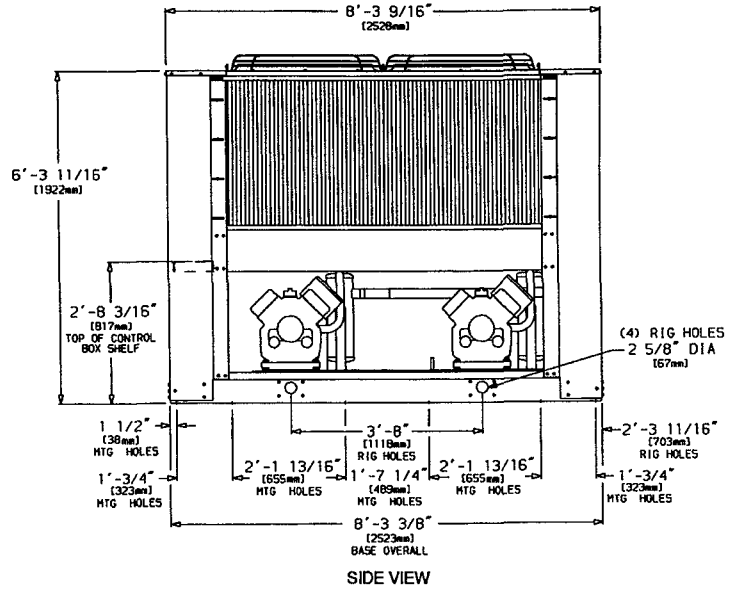
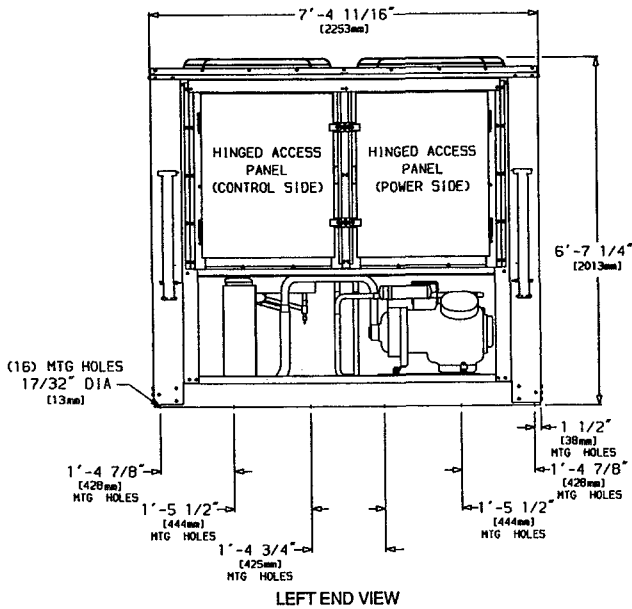
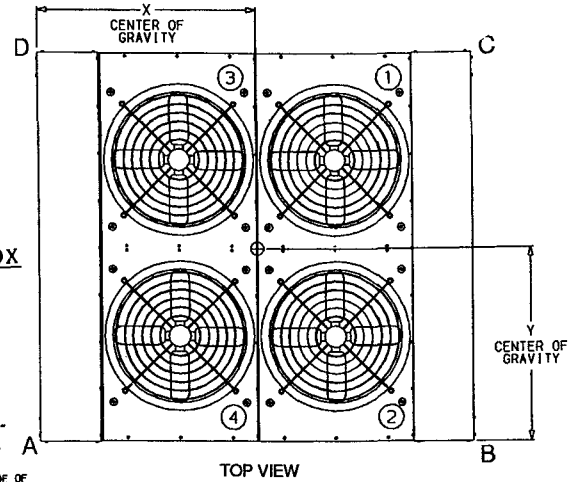
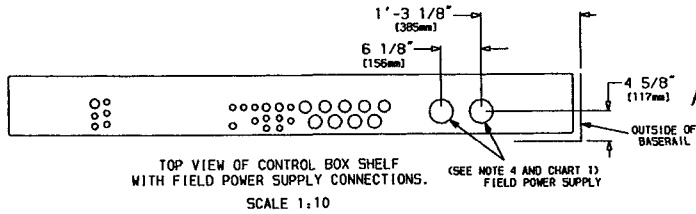


Chart 1, Field Power Supply Connections

UNIT	VOLTAGE	Hz	DIAMETER — in. [mm]	QTY
044	230	50	3½ [92]	1
044, 054	208/230	60	3½ [92]	1
	346, 380/415	50	2½ [63]	1
044, 054, 064	460, 575, 380	60	2½ [63]	1
	208/230	60	2½ [63]	2
064	346, 380/415	50	3½ [92]	1

LEGEND  
C — Copper Fin Coils  
MTG — Mounting  
SAE — Society of Automotive Engineers

NOTES:

- The approximate operating weight of the unit is:  
38AH-044--- 3259 lb [1478 kg]  
38AH-044--C 3547 lb [1609 kg]  
38AH-054--- 3309 lb [1501 kg]  
38AH-054--C 3597 lb [1632 kg]  
38AH-064--- 3565 lb [1617 kg]  
38AH-064--C 3998 lb [1813 kg]
- Unit must have clearances for airflow as follows:  
Top — Do not restrict in any way  
Ends — 5 ft [1524 mm]  
Sides — 6 ft [1829 mm]
- Mounting holes may be used to mount unit to concrete pad. They are not recommended for mounting unit to spring isolators. If spring isolators are used, a perimeter support channel between the unit and the isolators is recommended.
- One 3½" (92 mm) diameter hole is recommended for single-entry power on size 064 (208/230-v) units.
- See Table 1 for rigging center of gravity (Dimensions X, Y). See Table 2A and 2B for A-D corner weights.
- Circled numerals in Top View refer to condenser fans by position.

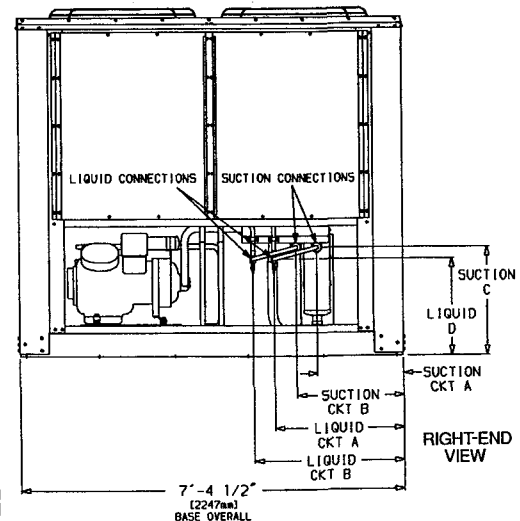
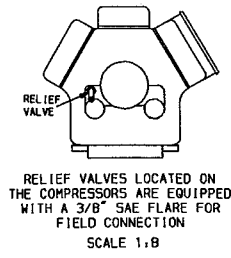
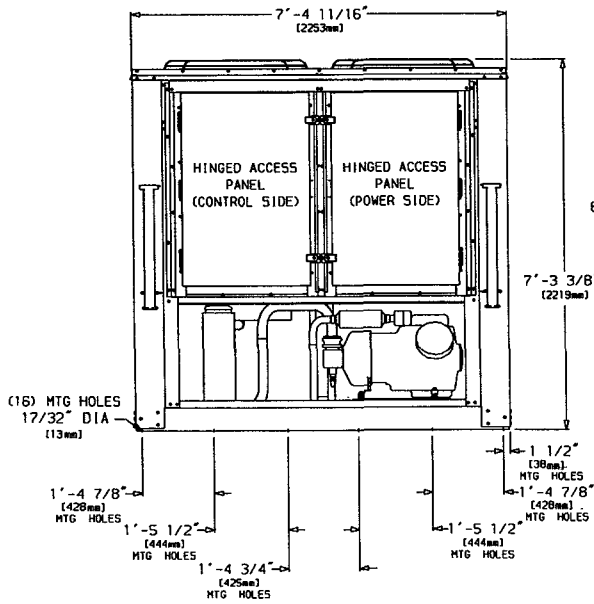
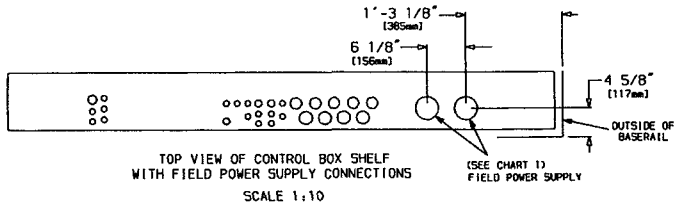
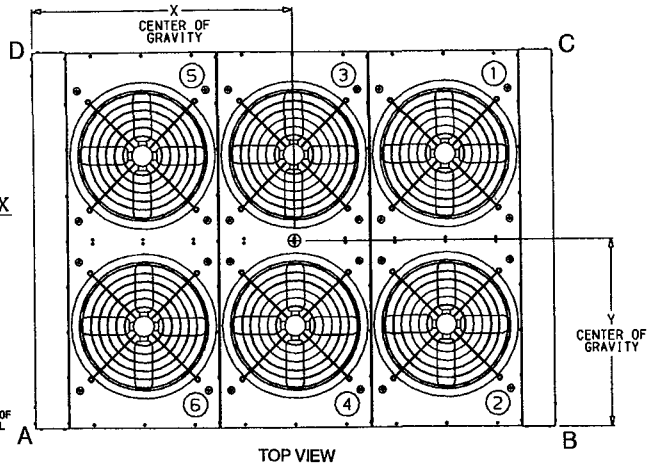


Fig. 1 — Dimensions — Units 38AH044,054,064

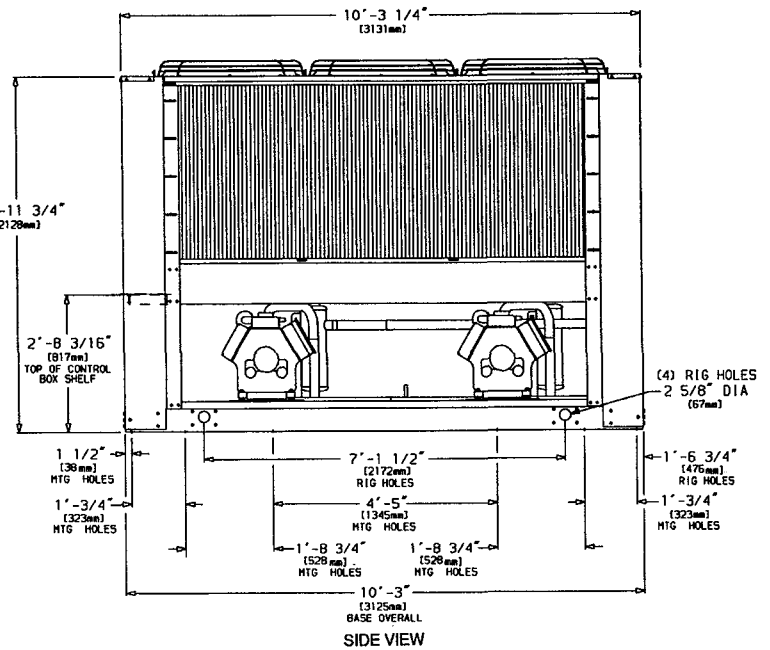
	DUAL CKT	SINGLE CKT
SUCTION CONNECTION(S)	2 1/8" Dia [54 mm]	2 5/8" Dia [67 mm]
LIQUID CONNECTION(S)	7/8" Dia [22 mm]	1 1/8" Dia [29 mm]
SUCTION C	2'-11 1/8" [627mm]	1'-10 3/8" [567mm]
LIQUID D	1'-10 1/4" [561mm]	1'-10 3/8" [567mm]
SUCTION (Ckt A)	1'-7 1/4" [503mm]	2'-5/8" [626mm]
SUCTION (Ckt B)	2'-5/8" [626mm]	—
LIQUID (Ckt A)	2'-5 3/4" [756mm]	2'-10 3/8" [879mm]
LIQUID (Ckt B)	2'-10 3/8" [879mm]	—



**CONTROL BOX END**



**LEFT-END VIEW**



**SIDE VIEW**

**Chart 1, Field Power Supply Connections**

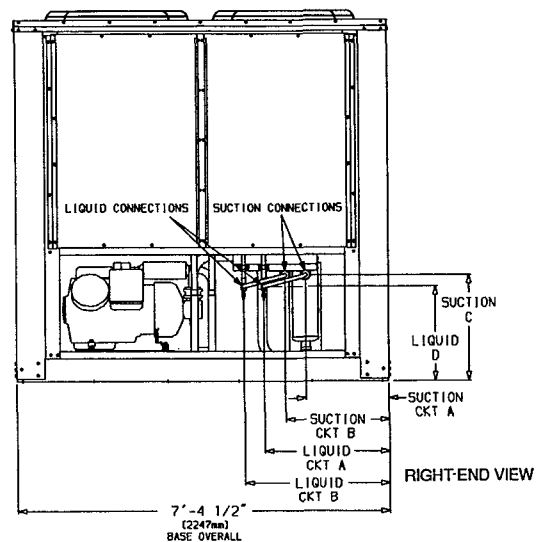
UNIT	VOLTAGE	Hz	DIAMETER -- in. [mm]	QTY
074	208/230	60	2 1/2 [63]	2
	460	60	2 1/2 [63]	1
074, 084	346, 380/415	50	3% [92]	1
	380	60	3% [92]	1
084	575	60	2 1/2 [63]	1
	208/230	60	3% [92]	2
	460	60	3% [92]	1

**LEGEND**

- C — Copper Fin Coils
- MTG — Mounting
- SAE — Society of Automotive Engineers

**NOTES:**

- 1 The approximate operating weight of the unit is:  
 38AH-074--- 3812 lb (1729 kg)  
 38AH-074-C 4229 lb (1918 kg)  
 38AH-084--- 4057 lb (1840 kg)  
 38AH-084-C 4735 lb (2148 kg)
- 2 Unit must have clearances for airflow as follows:  
 Top — Do not restrict in any way  
 Ends — 5 ft [1524 mm]  
 Sides — 6 ft [1829 mm]
- 3 Mounting holes may be used to mount unit to concrete pad. They are not recommended for mounting unit to spring isolators. If spring isolators are used, a perimeter support channel between the unit and the isolators is recommended.
- 4 See Table 1 for rigging center of gravity (Dimensions X,Y) See Table 2A and 2B for A-D corner weights.
- 5 Circled numerals in Top View refer to condenser fans by position.



**Fig. 2 — Dimensions — Units 38AH074,084**

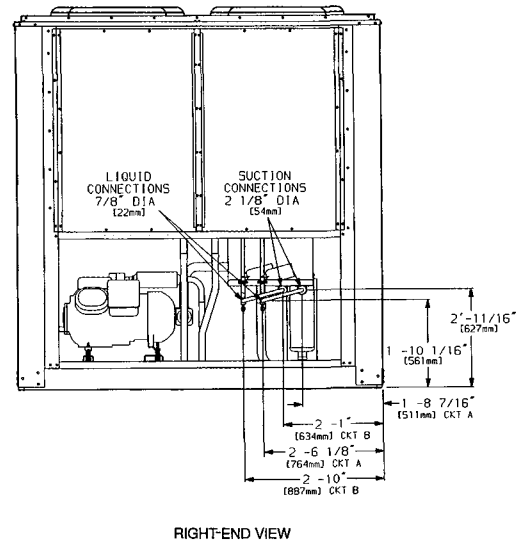
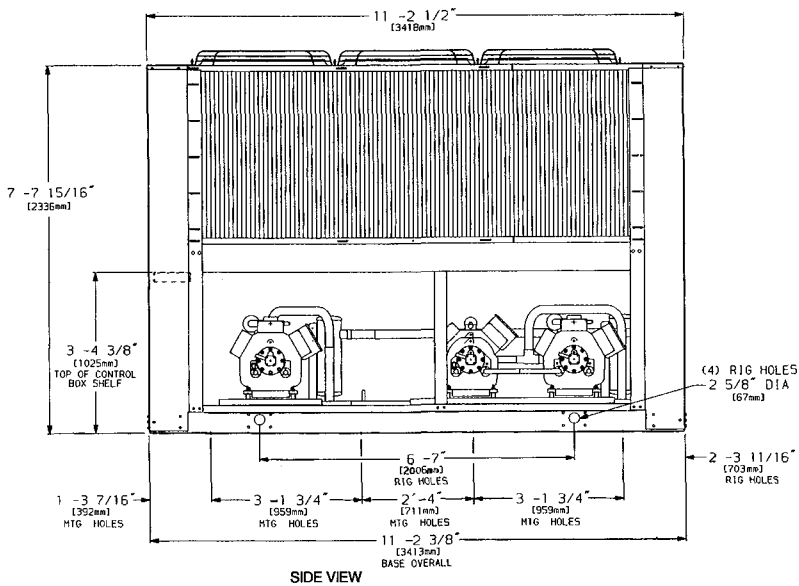
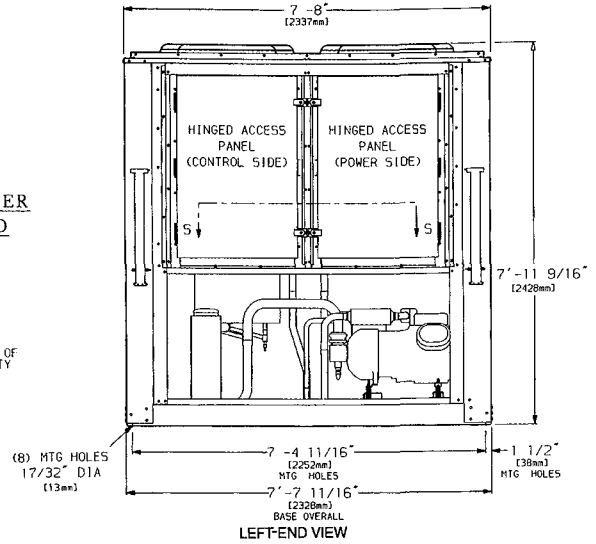
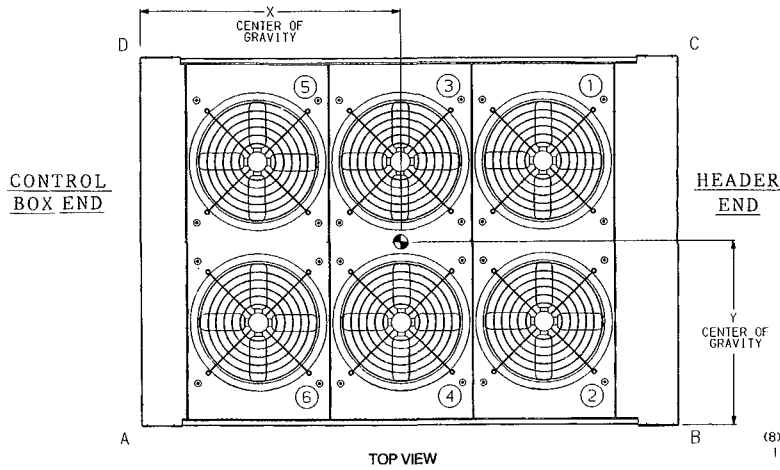
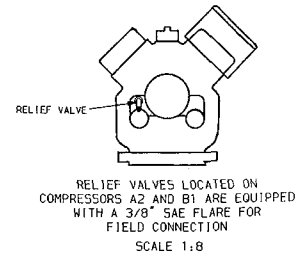
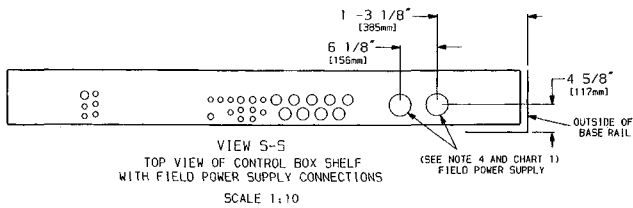


Chart 1, Field Power Supply Connections

UNIT	VOLTAGE	Hz	DIAMETER — in. (mm)	QUANTITY
38AH	208/230	60	3 5/8 (92)	2
094	460, 575, 380	60	3 5/8 (92)	1
	346, 380/415	50	3 5/8 (92)	1

LEGEND

- C — Copper Fin Coils  
 MTG — Mounting  
 SAE — Society of Automotive Engineers

NOTES:

- The approximate operating weight of the unit is:  
 38AH-094--- 5088 lb (2308 kg)  
 38AH-094-C 5813 lb (2637 kg)
- Unit must have clearances for airflow as follows:  
 Top — Do not restrict in any way  
 Ends — 5 ft [1524 mm]  
 Sides — 6 ft [1829 mm]
- Mounting holes may be used to mount unit to concrete pad. They are not recommended for mounting unit to spring isolators.
- Two 3 5/8" (92-mm) dia holes are recommended for parallel conductors on 208/230 v units.
- Circled numerals in Top View refer to condenser fans by position.
- If spring isolators are used, a perimeter support channel between the unit and the isolators is recommended.
- See Table 1 for rigging center of gravity (Dimensions X,Y). See Table 2A and 2B for A-D corner weights.

Fig. 3 — Dimensions — Unit 38AH094

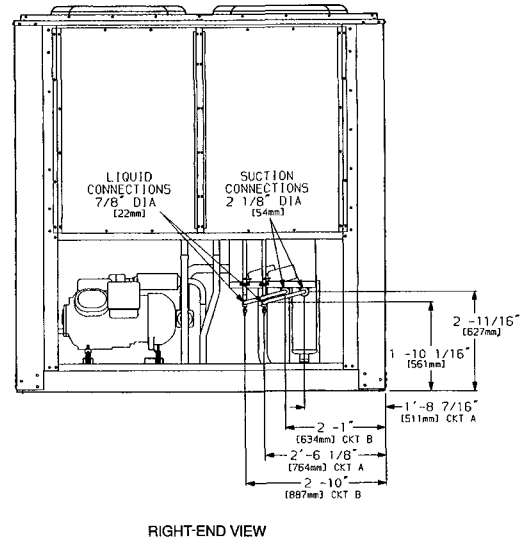
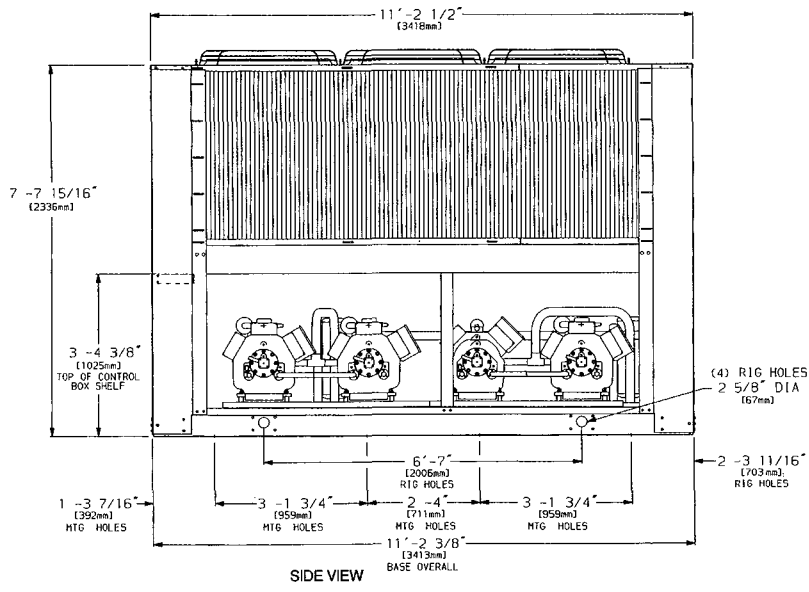
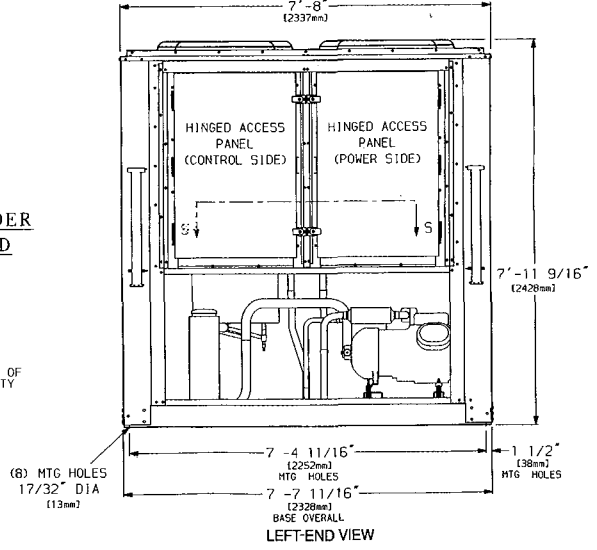
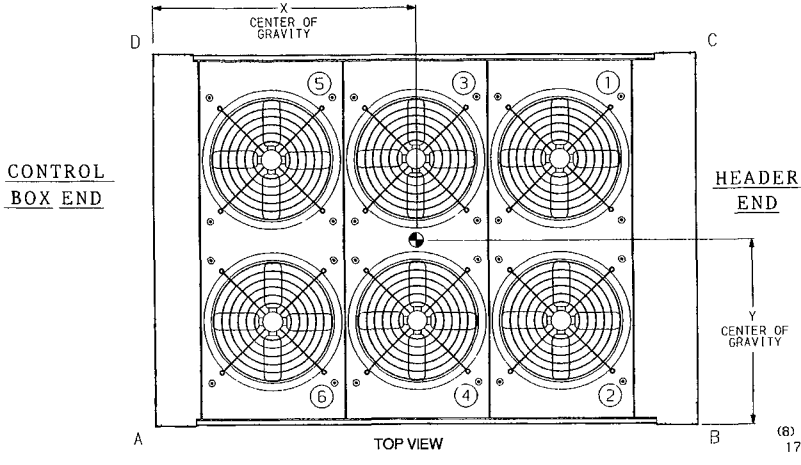
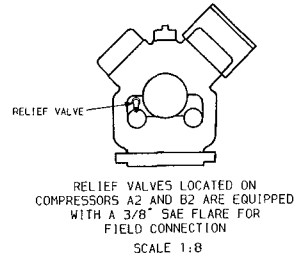
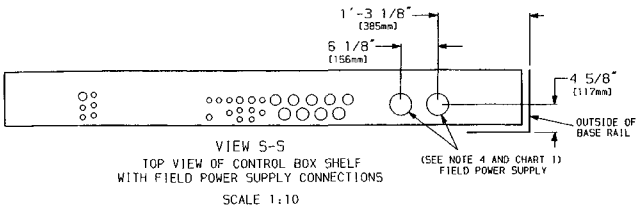


Chart 1, Field Power Supply Connections

UNIT	VOLTAGE	Hz	DIAMETER — in. (mm)	QUANTITY
38AH	208/230	60	3 5/8 (92)	2
104	460, 575, 380	60	3 5/8 (92)	1
	346, 380/415	50	3 5/8 (92)	1

- LEGEND  
**C** — Copper Fin Coils  
**MTG** — Mounting  
**SAE** — Society of Automotive Engineers

- NOTES:  
 1 The approximate operating weight of the unit is:  
 38AH-104--- 5435 lb (2465 kg)  
 38AH-104--C 6160 lb (2794 kg)  
 2 Unit must have clearances for airflow as follows:  
 Top — Do not restrict in any way  
 Ends — 5 ft [1524 mm]  
 Sides — 6 ft [1829 mm]  
 3 Mounting holes may be used to mount unit to concrete pad. They are not recommended for mounting unit to spring isolators.  
 4 Two 3 5/8" (92-mm) dia holes are recommended for parallel conductors on 208/230 v units.  
 5 Circled numerals in Top View refer to condenser fans by position.  
 6. If spring isolators are used, a perimeter support channel between the unit and the isolators is recommended.  
 7 See Table 1 for rigging center of gravity (Dimensions X,Y). See Table 2A and 2B for A-D corner weights.

Fig. 4 — Dimensions — Unit 38AH104

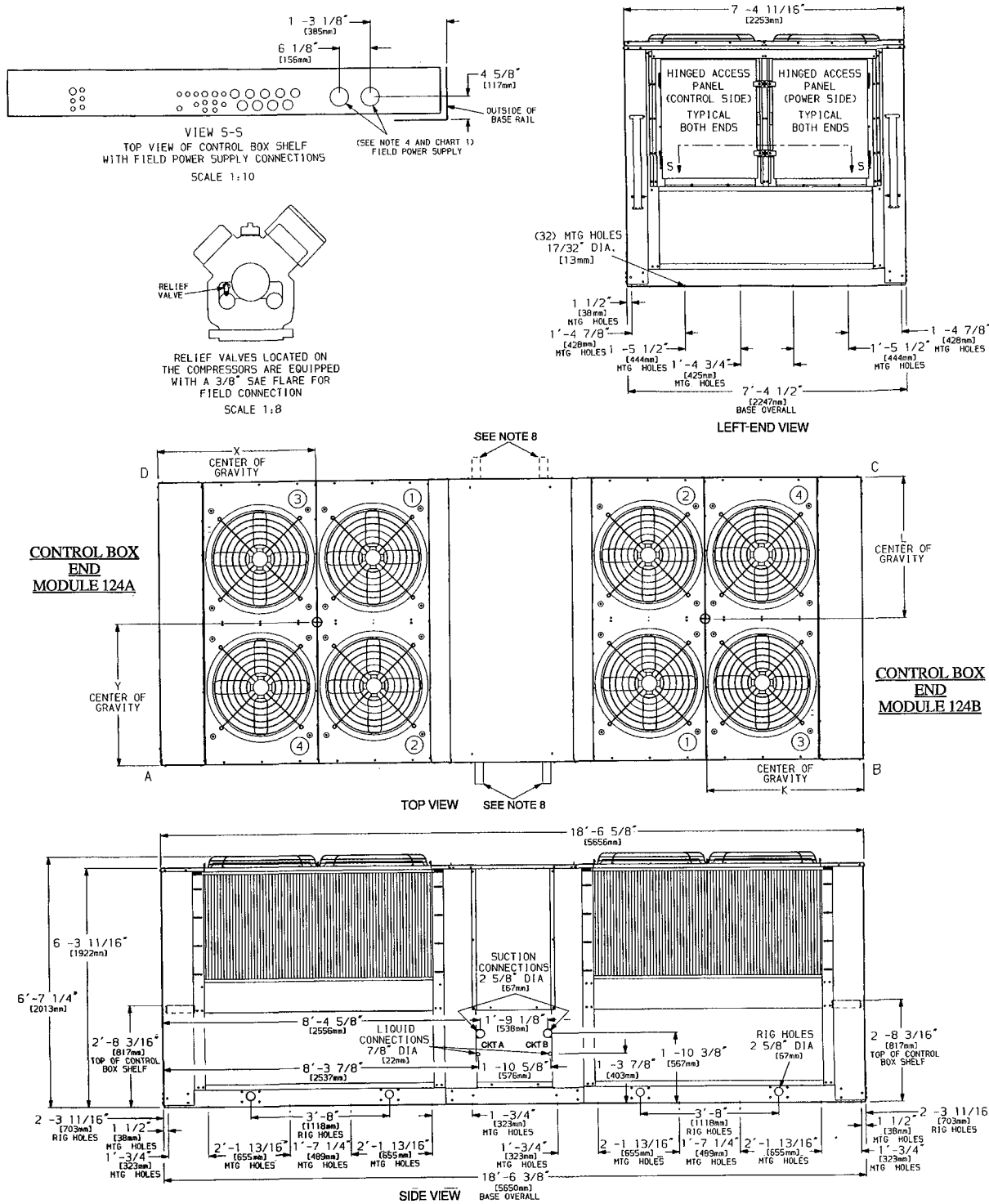


Chart 1, Field Power Supply Connections

UNIT	VOLTAGE	Hz	DIAMETER (in.)	QUANTITY
38AH	208/230	60	3 5/8 (92)	1
124A 124B	460, 575, 380	60	2 1/2 (63)	1
	346, 380/415	50	3 5/8 (92)	1

LEGEND

- C — Copper Fin Coils
- MTG — Mounting
- SAE — Society of Automotive Engineers

NOTES:

- 1 The approximate operating weight of the unit is:  
38AH-124--- 7260 lb (3293 kg)  
38AH-124-C 8126 lb (3686 kg)
- 2 Unit must have clearances for airflow as follows:  
Top — Do not restrict in any way  
Ends — 5 ft [1524 mm]  
Sides — 6 ft [1829 mm]
- 3 Mounting holes may be used to mount unit to concrete pad. They are not recommended for mounting unit to spring isolators.
- 4 One 3 5/8" (92-mm) dia hole is recommended for single-entry power into each module (124A and 124B) of the 208/230-v units.
- 5 Circled numerals in Top View refer to condenser fans by position.
- 6 If spring isolators are used, a perimeter support channel between the unit and the isolators is recommended. Do not support each module separately.
- 7 Each module of the unit must be rigged into position separately. The unit must not be rigged after modules have been connected.
- 8 Suction and liquid connections can exit on either side of the unit.
- 9 Field power supply connections are required for each module.
- 10 See Table 1 for rigging center of gravity (Dimensions K,L,X,Y). See Table 2A and 2B for A-D corner weights.

Fig. 5 — Dimensions — Unit 38AH124



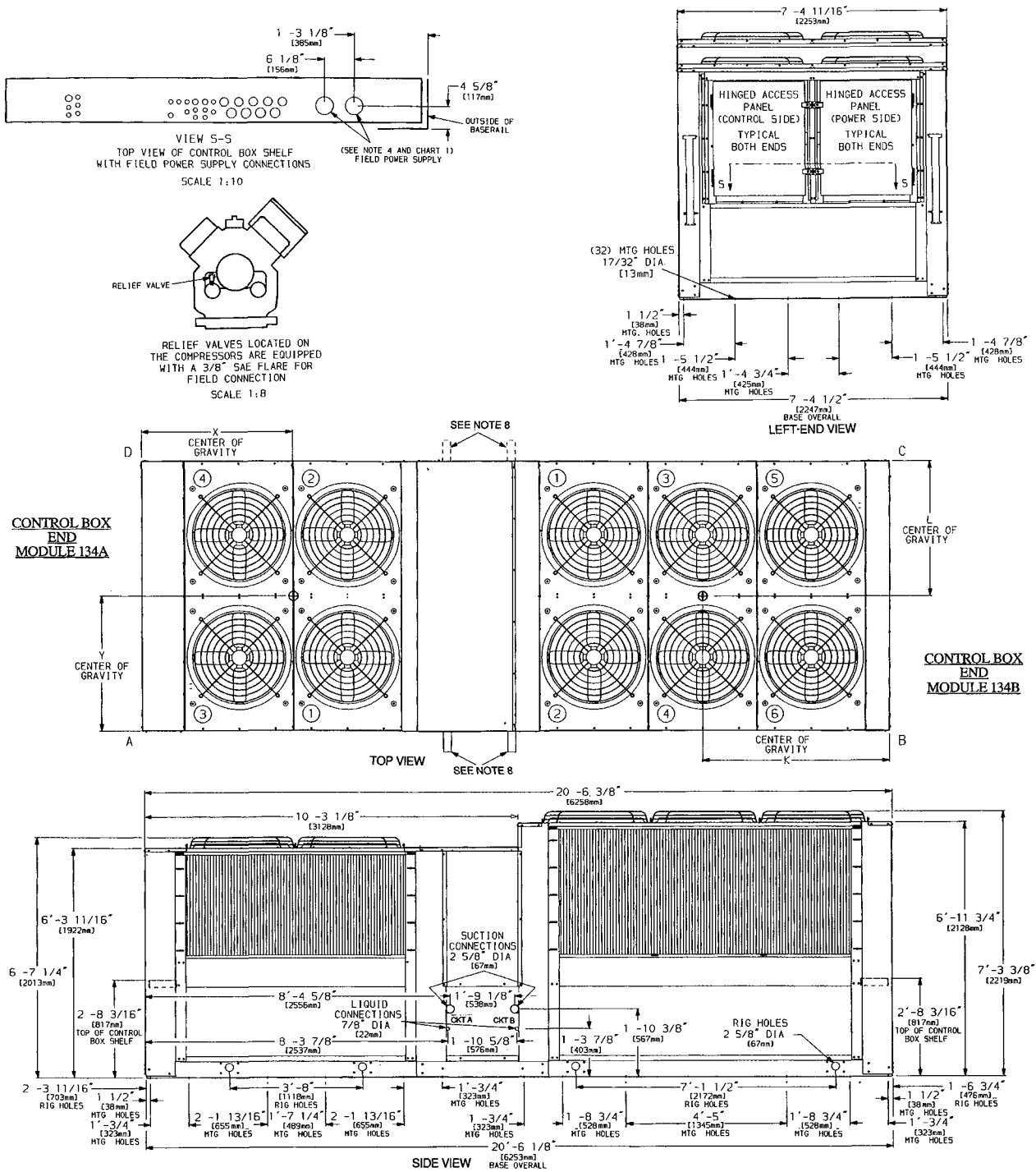


Chart 1, Field Power Supply Connections

UNIT 38AH	VOLTAGE	Hz	DIAMETER — in. (mm)	QUANTITY
134A	208/230	60	3/8 (92)	1
	460, 575, 380	60	2 1/2 (63)	1
	346, 380/415	50	3/8 (92)	1
134B	208/230	60	2 1/2 (63)	2
	460, 575	60	2 1/2 (63)	1
	380	60	3/8 (92)	1
	346, 380/415	50	3/8 (92)	1

LEGEND

- C — Copper Fin Coils
- MTG — Mounting
- SAE — Society of Automotive Engineers

NOTES:

- 1 The approximate operating weight of the unit is:  
38AH-134--- 7507 lb (3405 kg)  
38AH-134--C 8357 lb (3791 kg)
- 2 Unit must have clearances for airflow as follows:  
Top — Do not restrict in any way  
Ends — 5 ft [1524 mm]  
Sides — 6 ft [1829 mm]
- 3 Mounting holes may be used to mount unit to concrete pad. They are not recommended for mounting unit to spring isolators.
- 4 One 3/8" (92-mm) dia hole is recommended for single-entry power into Module 134A and 208/230-v units. Single entry power into Module 134B is not recommended.
- 5 Circled numerals in Top View refer to condenser fans by position.
- 6 If spring isolators are used, a perimeter support channel between the assembled unit and the isolators is recommended. Do not support each module separately.
- 7 Each module of the unit must be rigged into position separately. The unit must not be rigged after modules have been connected.
- 8 Suction and liquid connections can exit on either side of the unit.
- 9 Field power supply connections are required for each module.
- 10 See Table 1A or 1B for rigging center of gravity (Dimensions K, L, X, Y). See Table 2A and 2B for A-D corner weights.

Fig. 6 — Dimensions — Unit 38AH134

**Table 3A — Units 38AH044-084 Physical Data — 50/60 Hz (English)**

38AH		044	054	064	074	084			
OPERATING WEIGHT WITH REFRIGERANT (Approx) — Lb	Cu-Al	3259	3309	3565	3812	4057			
	Cu-Cu	3547	3597	3998	4229	4735			
SHIP WEIGHT WITH COIL PROTECTION ONLY (Approx) — Lb	Cu-Al	3250	3290	3530	3780	4000			
	Cu-Cu	3538	3578	3963	4197	4678			
TYPICAL OPERATING REFRIGERANT CHARGE (Approx) — Lb Qty of Circuits		62	72	R-22 88	104	130			
	Std	2	2	2	2	2			
	Opt	1	1	1	1	1			
COMPRESSOR Type...Rpm (Qty Cylinder) Compressor* Model No. 06E (Qty Cylinder) Compressor* Model No. 06E Oil Charge (Pt)	Std	(4) A1	(4) B1	Reciprocating Semi-Hermetic .1750 @ 60 Hz; 1458 @ 50 Hz					
	Std	250	250	(4) A1	(6) B1	(6) A1	(6) B1	(6) A1	(6) B1
	Opt	(4) A1	(4) A2	(6) A1	(4) A2	(6) A1	(6) A2	(6) A1	(6) A2
	Opt	250	250	265	250	275	265	299	275
	Std	17	17	17	21	21	21	19	19
	Opt	17	17	21	17	21	21	19	19
Capacity Control Steps†					4				
CONDENSER FANS (6 Blade) — 60 Hz Qty...Dia (in.) Airflow (Cfm) Speed (Rpm) Total Power (kW)			4.30		52,000	6.30	51,000		
			35,000			1140			
			1140			93			
			6.2						
CONDENSER FANS (6 Blade) — 50 Hz Qty...Dia (in.) Airflow (Cfm) Speed (Rpm) Total Power (kW)			4.30		52,000	6.30	51,000		
			35,000			950			
			950			93			
			6.2						
CONDENSER COIL Rows...Fins per in. Face Area (sq ft) Storage Capacity (Lb per Circuit) at 120 F		2...17	2...17	3...17	2...19	3...17			
		80.5	80.5	80.5	116.7	116.7			
		35	35	55	55	80			
CONNECTIONS Suction, ODF (in.)** Liquid, ODF (in.)** Hot Gas Bypass, ODF (in.)				2 1/8					
				7/8					
				5/8					

**Table 3B — Units 38AH044-084 Physical Data — 50/60 Hz (SI)**

38AH		044	054	064	074	084			
OPERATING WEIGHT WITH REFRIGERANT (Approx) — Kg	Cu-Al	1478	1501	1617	1729	1840			
	Cu-Cu	1609	1632	1813	1918	2148			
SHIP WEIGHT WITH COIL PROTECTION ONLY (Approx) — Kg	Cu-Al	1474	1492	1601	1715	1814			
	Cu-Cu	1605	1623	1798	1904	2122			
TYPICAL OPERATING REFRIGERANT CHARGE (Approx) — Kg Qty of Circuits		28.1	32.7	R-22 39.9	47.2	58.9			
	Std	2	2	2	2	2			
	Opt	1	1	1	1	1			
COMPRESSOR Type...R/s (Qty Cylinder) Compressor* Model No. 06E (Qty Cylinder) Compressor* Model No. 06E Oil Charge (L)	Std	(4) A1	(4) B1	Reciprocating Semi-Hermetic .29.2 @ 60 Hz; 24.3 @ 50 Hz					
	Std	250	250	(4) A1	(6) B1	(6) A1	(6) B1	(6) A1	(6) B1
	Opt	(4) A1	(4) A2	(6) A1	(4) A2	(6) A1	(6) A2	(6) A1	(6) A2
	Opt	250	250	265	250	275	265	299	275
	Std	8.0	8.0	8.0	9.9	9.9	9.9	9.0	9.0
	Opt	8.0	8.0	9.9	8.0	9.9	9.9	9.0	9.0
Capacity Control Steps†					4				
CONDENSER FANS (6 Blade) — 50 Hz Qty...Dia (mm) Airflow (L/s) Speed (R/s) Total Power (kW)			4.762		24 500	6.762	24 100		
			16 500			15.8			
			15.8			9.3			
			6.2						
CONDENSER FANS (6 Blade) — 60 Hz Qty...Dia (mm) Airflow (L/s) Speed (R/s) Total Power (kW)			4.762		24 500	6.762	24 100		
			16 500			19.0			
			19.0			9.3			
			6.2						
CONDENSER COIL Rows...Fins per m Face Area (sq m) Storage Capacity (Kg per Circuit) at 48.9 C		2...669	2...669	3...669	2...782	3...669			
		7.48	7.48	7.48	10.84	10.84			
		16	16	25	25	36			
CONNECTIONS Suction, ODF (in.)** Liquid, ODF (in.)** Hot Gas Bypass, ODF (in.)				2 1/8					
				7/8					
				5/8					

**LEGEND**

- Cu-Al — Copper tubes with aluminum fins
- Cu-Cu — Copper tubes with copper fins
- ODF — Outside Diameter, Female
- Opt — Optional Single-Circuit Units
- Std — Standard Dual-Circuit Units

\*\*For single-circuit units, suction ODF is 2 1/8 in. (66.7 mm) and liquid ODF is 1 1/8 in. (28.6 mm) **Single circuits have a factory-installed manifold; no field modification is required.**

**NOTES:**

- 1 Certified dimensional drawings available on request
- 2 Equivalent connection values in mm are as follows:

in.	mm
5/8	15.9
7/8	22.2
2 1/8	54.0

\*Compressor A1 is lead on standard and optional single-circuit units  
†Capacity control steps listed are for constant-volume units with no accessories Refer to Table 19A or 19B, page 46, for additional system capacity information

Table 4A — Units 38AH094-134 Physical Data — 50/60 Hz (English)

38AH	094	104	124		134								
			124A	124B	134A	134B							
OPERATING WEIGHT WITH REFRIGERANT (Approx) — Lb	Cu-AI Cu-Cu	5088 5813	5435 6160	3630* 4063*	3630* 4063*	3630* 4063*	3877* 4294*						
SHIP WEIGHT WITH COIL PROTECTION AND SKID (Approx) — Lb	Cu-AI Cu-Cu	5630 6355	5990 6715	3907* 4340*	3907* 4340*	3907* 4340*	4080* 4497*						
TYPICAL OPERATING REFRIGERANT CHARGE (Approx) — Lb	R-22												
Qty of Circuits	148 2	135 2	88 1	88 1	88 1	104 1							
COMPRESSOR Type...Rpm (Qty Cylinder) Compressor† Model No. 06E Oil Charge (Pt) Capacity Control Steps**	Reciprocating Semi-Hermetic. 1750 @ 60 Hz; 1460 @ 50 Hz												
	(6)A1 -275 21	(4)A2 -250 17 5	(6)B1 -299 19	(6)A1 -265 21	(4)A2 -250 17 6	(6)B1 -265 21	(6)B2 -265 21	(6)A1 -275 21 3	(6)A2 -265 21 3	(6)A1 -275 21 3	(6)A2 -265 21 3	(6)A1 -299 19 3	(6)A2 -275 21 3
CONDENSER FANS (6 Blade) — 60 Hz	Qty...Dia (in.)												
	6.30	6.30	6.30	4.30	4.30	4.30	6.30						
Airflow (Cfm)	52,000	52,000	52,000	35,000	35,000	35,000	52,000						
Speed (Rpm)	1140	1140	1140	1140	1140	1140	1140						
Total Power (kW)	9.4	9.5	9.5	6.4	6.4	6.4	9.2						
CONDENSER FANS (6 Blade) — 50 Hz	Qty...Dia (in.)												
	6.30	6.30	6.30	4.30	4.30	4.30	6.30						
Airflow (Cfm)	52,000	52,000	52,000	35,000	35,000	35,000	52,000						
Speed (Rpm)	950	950	950	950	950	950	950						
Total Power (kW)	9.4	9.5	9.5	6.4	6.4	6.4	9.2						
CONDENSER COIL	Enhanced Copper Tubes, Aluminum Lanced Fin												
Rows...Fins per in.	3...17	3...17	3...17	3...17	3...17	3...17	2...19						
Face Area (sq ft)	128.3	128.3	128.3	80.5	80.5	80.5	116.7						
Storage Capacity (Lb per circuit) at 120 F	178	178	178	110	110	110	110						
CONNECTIONS	Suction, ODF (in.)												
	2 1/8	2 1/8	2 1/8	2 5/8	2 5/8	2 5/8	2 5/8						
Liquid, ODF (in.)	7/8	7/8	7/8	1 1/8	1 1/8	1 1/8	1 1/8						
Hot Gas Bypass, ODF (in.)	5/8	5/8	5/8	5/8	5/8	5/8	5/8						

Table 4B — Units 38AH094-134 Physical Data — 50/60 Hz (SI)

38AH	094	104	124		134								
			124A	124B	134A	134B							
OPERATING WEIGHT WITH REFRIGERANT (Approx) — Kg	Cu-AI Cu-Cu	2308 2637	2465 2794	1647* 1843*	1647* 1843*	1647* 1843*	1759* 1948*						
SHIP WEIGHT WITH COIL PROTECTION AND SKID (Approx) — Kg	Cu-AI Cu-Cu	2554 2883	2717 3046	1860* 1968*	1860* 1968*	1860* 1968*	1851* 1968*						
TYPICAL OPERATING REFRIGERANT CHARGE (Approx) — Kg	R-22												
Qty of Circuits	67.1 2	61.2 2	39.9 1	39.9 1	39.9 1	47.2 1							
COMPRESSOR Type...R/s (Qty Cylinder) Compressor† Model No. 06E Oil Charge (L) Capacity Control Steps**	Reciprocating Semi-Hermetic.. 29.2 @ 60 Hz; 24.3 @ 50 Hz												
	(6)A1 -275 10	(4)A2 -250 8 5	(6)B1 -299 9	(6)A1 -265 10	(4)A2 -250 8 6	(6)B1 -265 10	(6)B2 -265 10	(6)A1 -275 10 3	(6)A2 -265 10 3	(6)A1 -275 10 3	(6)A2 -265 10 3	(6)A1 -299 9 3	(6)A2 -275 10 3
CONDENSER FANS (6 Blade) — 60 Hz	Qty...Dia (mm)												
	6.762	6.762	6.762	4.762	4.762	4.762	6.762						
Airflow (L/s)	24 544	24 544	24 544	16 520	16 520	16 520	24 544						
Speed (R/s)	19	19	19	19	19	19	19						
Total Power (kW)	9.4	9.5	9.5	6.4	6.4	6.4	9.2						
CONDENSER FANS (6 Blade) — 50 Hz	Qty...Dia (mm)												
	6.762	6.762	6.762	4.762	4.762	4.762	6.762						
Airflow (L/s)	24 544	24 544	24 544	16 520	16 520	16 520	24 544						
Speed (R/s)	15.8	15.8	15.8	15.8	15.8	15.8	15.8						
Total Power (kW)	9.4	9.5	9.5	6.4	6.4	6.4	9.2						
CONDENSER COIL	Enhanced Copper Tubes, Aluminum Lanced Fin												
Rows...Fins per m	3 .669 3	3 .669 3	3 .669 3	3 .669 3	3 .669 3	3 .669 3	2 .781 6						
Face Area (sq m)	11.9	11.9	11.9	7.5	7.5	7.5	10.8						
Storage Capacity (Kg per circuit) at 49 C	81	81	81	50	50	50	50						
CONNECTIONS	Suction, ODF (in.)												
	2 1/8	2 1/8	2 1/8	2 5/8	2 5/8	2 5/8	2 5/8						
Liquid, ODF (in.)	7/8	7/8	7/8	1 1/8	1 1/8	1 1/8	1 1/8						
Hot Gas Bypass, ODF (in.)	5/8	5/8	5/8	5/8	5/8	5/8	5/8						

LEGEND

- Cu-AI — Copper Tubes with Aluminum Fins
- Cu-Cu — Copper Tubes with Copper Fins
- ODF — Outside Diameter, Female

\*Includes piping and trim kit

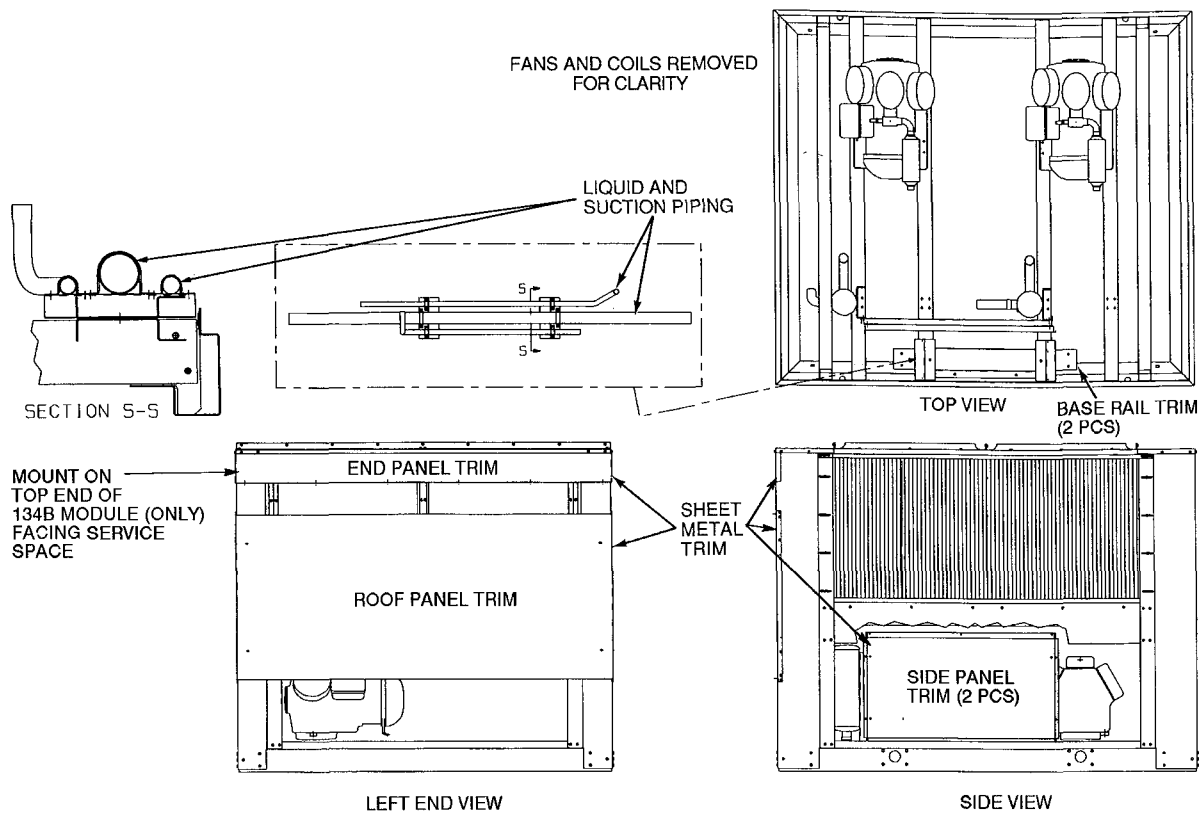
†Compressors are shipped with minimum oil charge.

\*\*Capacity control steps listed are for constant volume units with no accessories Refer to Table 20, page 46, for additional system capacity information

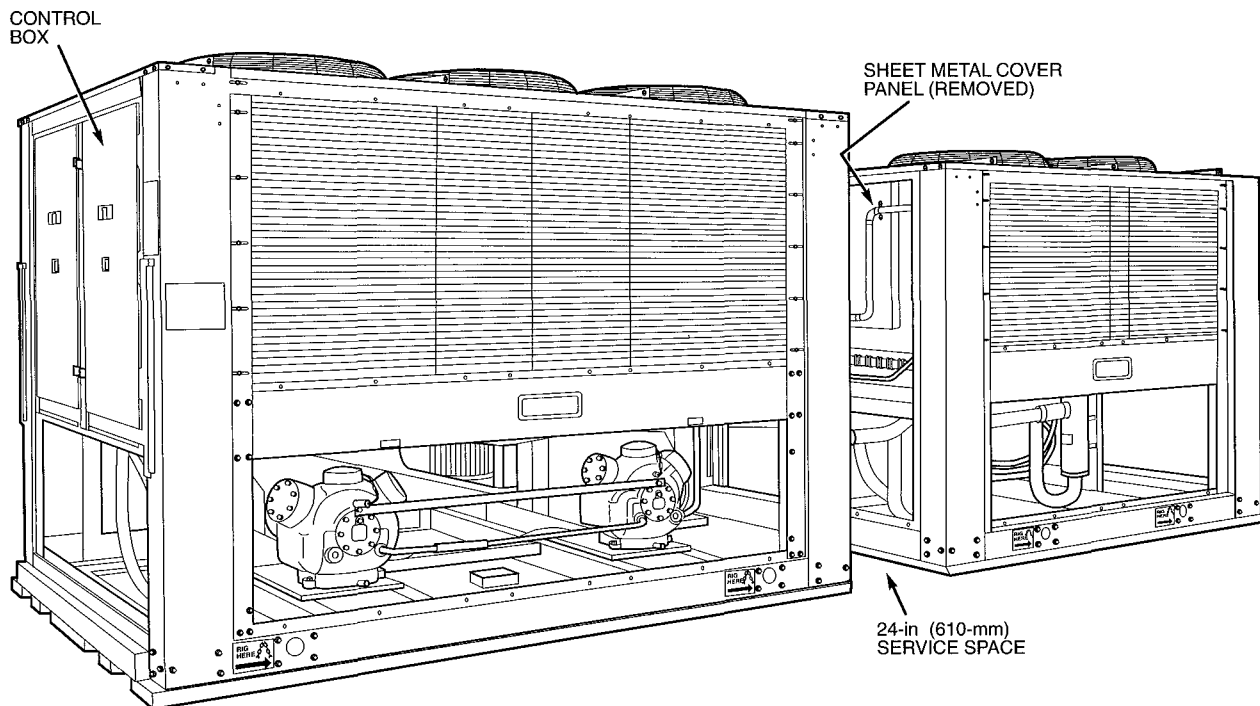
NOTES:

- 1 Unit 38AH124 consists of one 124A module and one 124B module Unit 38AH134 consists of one 134A module and one 134B module
- 2 Certified dimensional drawings available on request
- 3 Equivalent connection values in mm are as follows:

in.	mm
5/8	15.9
7/8	22.2
1 1/8	28.6
2 1/8	54.0
2 5/8	66.7



**Fig. 7 — Modules 38AH124A or 134A — Shipping Locations of Piping and Sheet Metal Trim Kit**



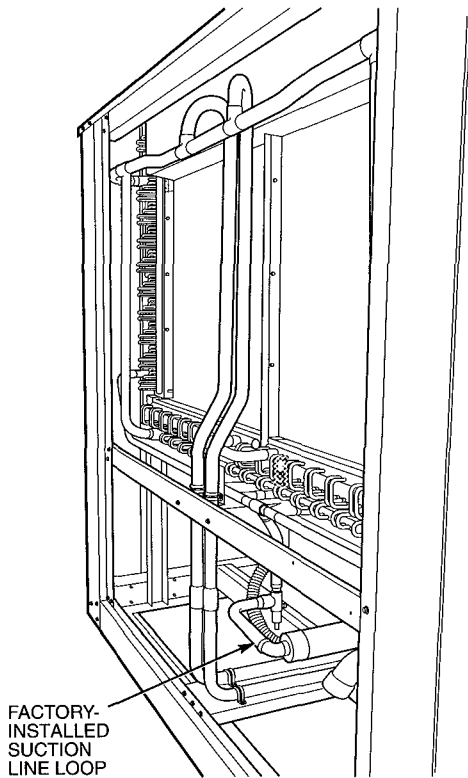
**Fig. 8 — Correct Placement of Modules Without Piping and Sheet Metal Trim (Unit 38AH134 Shown)**

### Step 3 — Make Refrigerant Piping Connections

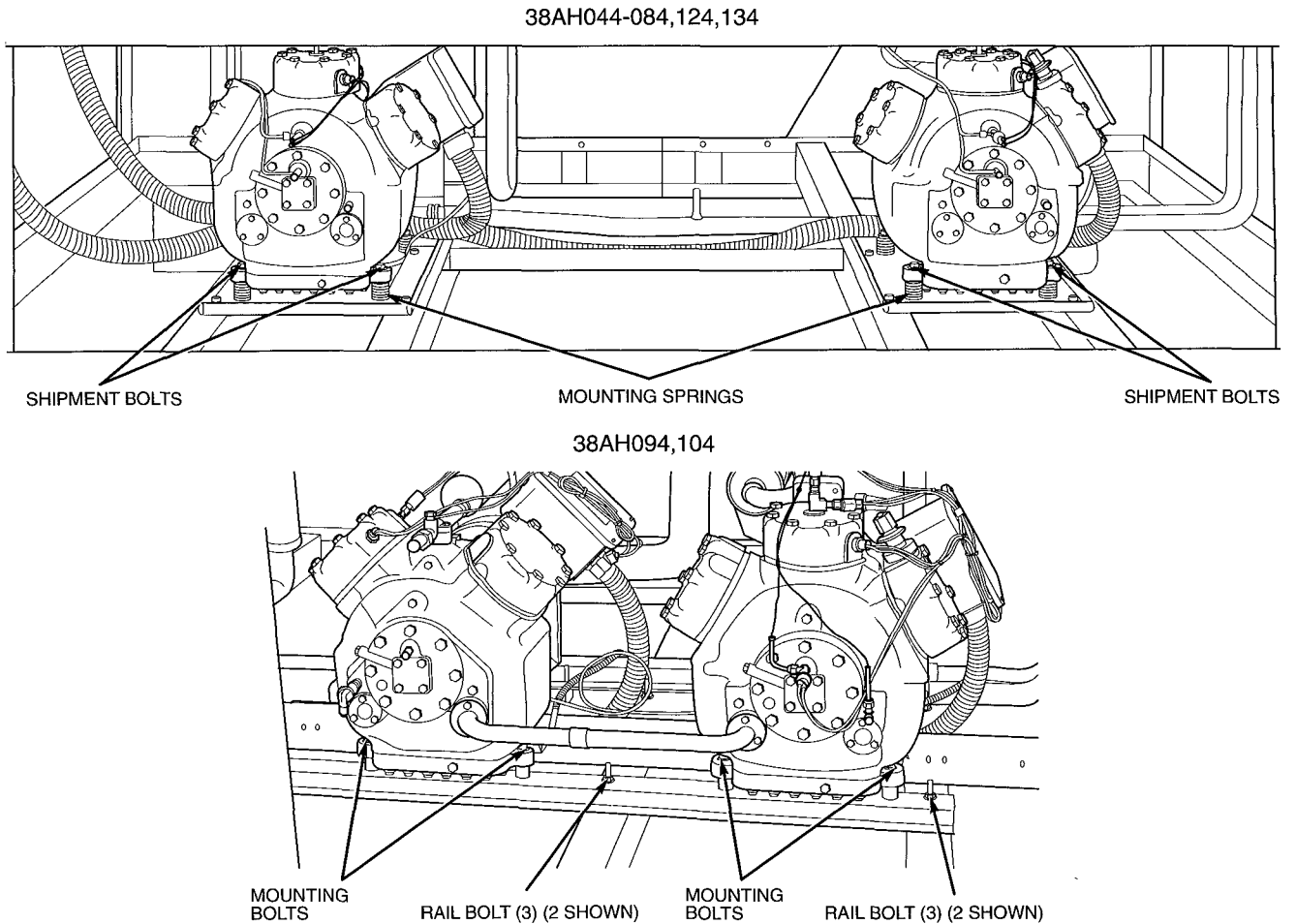
#### ⚠ CAUTION

The field-supplied liquid line solenoid valve *must* be installed at the evaporator to avoid possible compressor damage during unit operation. See Fig. 11 (for 38AH044-084 dual-circuit and 38AH094-134 units), or Fig. 12 (for 38AH044-084 optional single-circuit units).

The units have large suction lines to minimize friction losses. The units also have the ability to operate at low capacity. Because of these capabilities, use special care with suction piping and suction risers to ensure proper compressor oil return under all operating conditions. Maximum allowable vertical separation between the condensing unit and the evaporator is shown in Table 5. Size suction lines in accordance with Tables 6A or 6B through 9A or 9B and Fig. 13. Mount liquid line solenoid valve just ahead of the TXVs (thermostatic expansion valves) which will be mounted at the evaporator. See Fig. 11 (for 38AH044-084 dual-circuit and 38AH094-134 units) or Fig. 12 (for 38AH044-084 optional single-circuit units).



**Fig. 9 — Typical Module with Cover Panels Removed**



**Fig. 10 — Outer View, Compressor Mounting**

To achieve good mixing of the refrigerant leaving the evaporator suction header for proper sensing by the TXV bulb:

1. Install a minimum of two 90-degree elbows upstream of the TXV bulb location. See Fig. 14 (for 38AH044-084 dual-circuit and 38AH094-134 units) or Fig. 15 (for 38AH044-084 optional single-circuit units).
2. Locate the TXV bulb on a vertical riser, where possible. If a horizontal location is necessary, secure the bulb at approximately the 4 o'clock position.
3. Size the suction line from the evaporator to the common suction line to achieve high refrigerant velocity. See Tables 6A or 6B through 9A or 9B and Fig. 13.

If an oil return connection at the bottom of the suction header is supplied with an evaporator, tee-in this connection ahead of first mixing elbow. See Fig. 14 (for 38AH044-084 dual-circuit and 38AH094-134 units) or Fig. 15 (for 38AH044-084 optional single-circuit units). When the compressor is below the evaporator, the riser at the evaporator should extend to the top of the evaporator section. After the riser is installed, the suction line can elbow down immediately.

Install a field-supplied filter drier and sight glasses in each refrigerant system. Select the filter drier for maximum unit capacity and minimum pressure drop. Figure 11 (for 38AH044-084 dual-circuit and 38AH094-134 units) or Fig. 12 (for 38AH044-084 optional single-circuit units) shows required location of solenoid valves and recommended locations for the filter driers and sight glasses. Complete the refrigerant piping from the evaporator to the condenser before opening the liquid and suction lines at the condenser.

Table 5 — Liquid Lift

UNIT 38AH	MAXIMUM LIQUID LIFT			
	60 Hz		50 Hz	
	Ft	M	Ft	M
044	69	21 0	57 5	17 5
054	75	23 0	75 0	23 0
064	75	23 0	65 0	19 8
074	45	13 7	37 5	11 4
084	75	23 0	75 0	23 0
094	55	16 7	46 0	14 0
104	50	15 2	42 0	12 8
124	75	23 0	65 0	19 8
134	45	13 7	37 5	11 4

UNITS 38AH044-084 — Relieve the pressure caused by the holding charge into a refrigerant recovery system. Uncap the suction line and cut the run-around tube at the liquid line as close to the loop elbow as possible. This will leave approximately 2 in. (50 mm) of straight tube for liquid line connection.

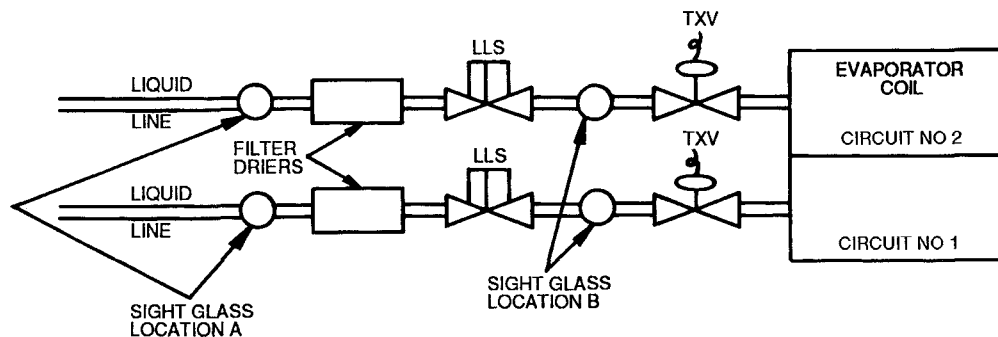
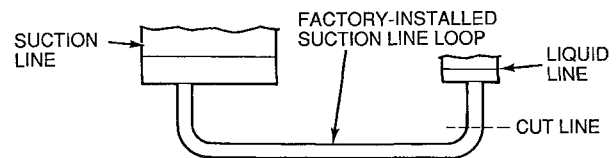
**IMPORTANT:** Protect the liquid valves from the heat of brazing.

Leak test the entire system by using soap bubbles and nitrogen or R-22 with an electronic leak detector.

Purge nitrogen or reclaim R-22 from system after completion of leak-checking procedure. Repair leak if one is found. When finished, evacuate and dehydrate system using the methods described in Carrier GTAC II (General Training Air Conditioning II), Module 4, System Dehydration.

UNITS 38AH094-134 — Relieve the R-22 holding charge of each circuit into a refrigerant recovery system. Remove the liquid line to factory-installed suction line loop by cutting the loop at the liquid valve. (See diagram below and Fig. 9.) Cut as close to the 90-degree bend in the loop as possible. The remaining tube piece in the valve will be used for brazing the liquid line. Unbrazed and remove the cap from the liquid line. For 38AH094 and 104 units, sweat-connect the liquid and suction lines from the evaporator. For 38AH124 and 134 units, see Piping Kit Connections on page 21.

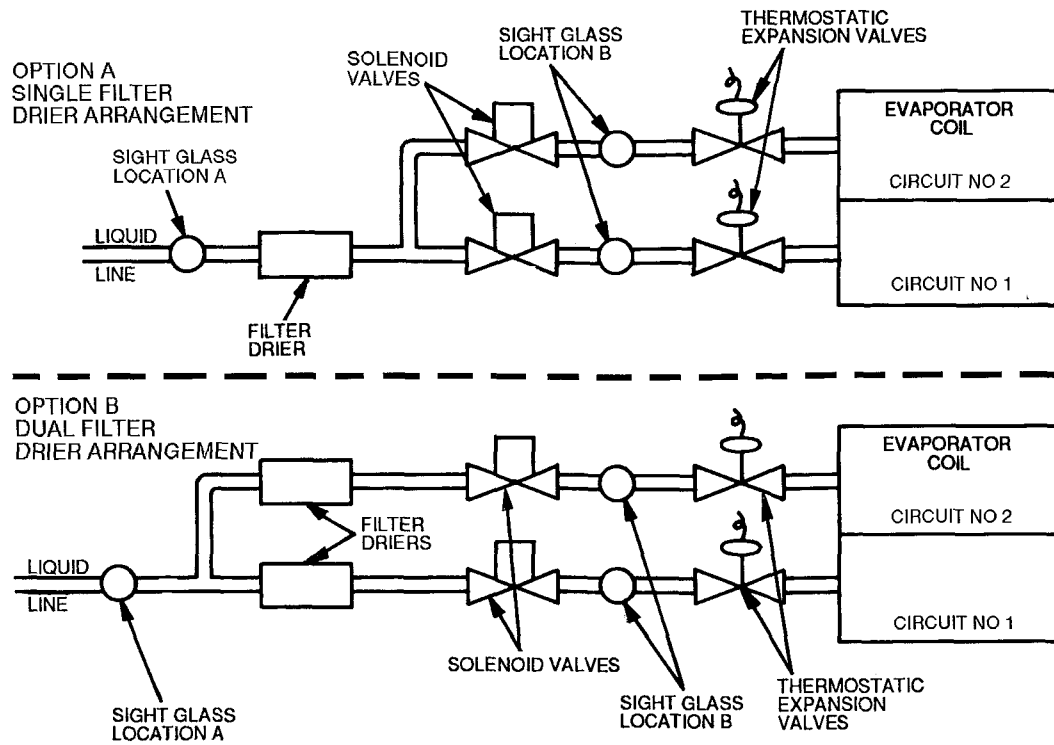
TOP VIEW



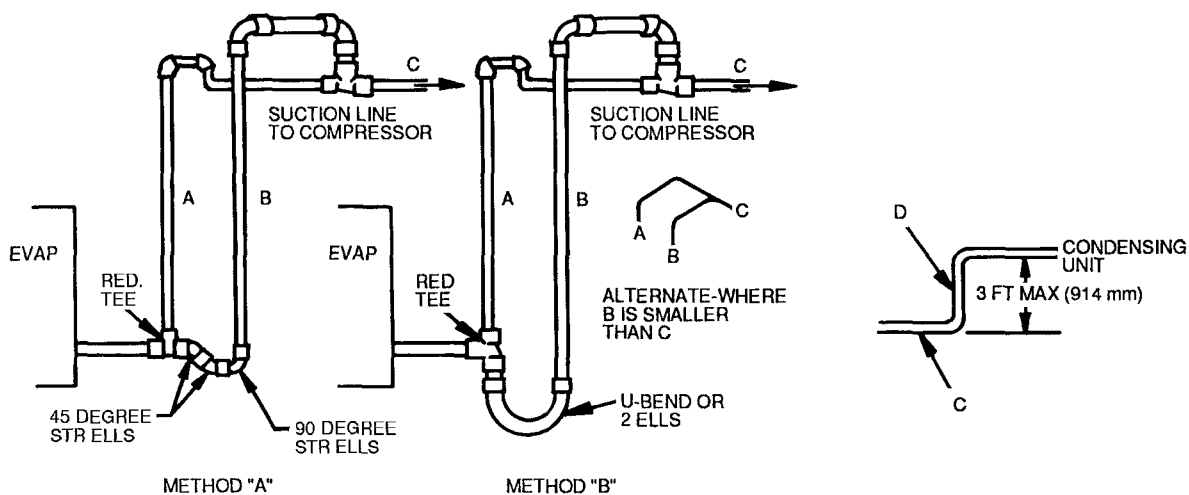
LEGEND

- LLS — Liquid Line Solenoid
- TXV — Thermostatic Expansion Valve

Fig. 11 — Required Location of Solenoid Valves and Recommended Filter Drier and Sight Glass Locations for 38AH044-084 Dual-Circuit and 38AH094-134 Units.



**Fig. 12 — Required Location of Solenoid Valves and Recommended Filter Drier and Sight Glass Locations for 38AH044-084 Optional Single-Circuit Units**



- LEGEND**
- A** — Pipe A, Suction Riser, without Trap
  - B** — Pipe B, Suction Riser with Trap
  - C** — Suction Line to Condensing Unit
  - D** — Pipe D, Suction Riser Short Lift
  - RED.** — Reducer
  - STR** — Street

- NOTES:**
- 1 Short riser, pipe D, is used when routing suction line to condensing unit connection. See table at right.
  2. See Tables 7A, 7B, 9A, and 9B for values of A, B, and C.

UNIT 38AH	PIPE D DIAMETER					
	Dual Circuit*				Single Circuit*	
	A		B			
	in.	mm	in.	mm	in.	mm
044	1 $\frac{5}{8}$	41	1 $\frac{5}{8}$	41	2 $\frac{1}{8}$	54
054	1 $\frac{5}{8}$	41	1 $\frac{5}{8}$	41	2 $\frac{1}{8}$	54
064	1 $\frac{5}{8}$	41	2 $\frac{1}{8}$	54	2 $\frac{1}{8}$	54
074	2 $\frac{1}{8}$	54	2 $\frac{1}{8}$	54	2 $\frac{1}{8}$	54
084	2 $\frac{1}{8}$	54	2 $\frac{1}{8}$	54	2 $\frac{5}{8}$ †	67†
094, 104	2 $\frac{1}{8}$	54	2 $\frac{1}{8}$	54	—	—
124, 134	2 $\frac{5}{8}$	67	2 $\frac{5}{8}$	67	—	—

\*Maximum length of riser is 3 ft (914 mm).  
 †Double suction riser required if accessory unloader is field installed.

**Fig. 13 — Double Suction Riser Construction**

**Table 6A — Refrigerant Piping Requirements — 38AH044-104 Dual-Circuit Units — 60 Hz**

UNIT 38AH		TOTAL LINEAR LENGTH OF INTERCONNECTING PIPE — FT (M)											
		15-25 (4.6-7.6)		25-50 (7.6-15.2)		50-75 (15.2-22.9)		75-100 (22.9-30.5)		100-150 (30.5-45.7)		150-200 (45.7-61.0)	
		L	S	L	S	L	S	L	S	L	S	L	S
044	Ckt A	5/8	1 5/8	7/8	1 5/8	7/8	2 1/8	7/8	2 1/8	7/8	2 1/8	7/8	2 1/8
	Ckt B	5/8	1 5/8	7/8	1 5/8	7/8	2 1/8	7/8	2 1/8	7/8	2 1/8	7/8	2 1/8
054	Ckt A	5/8	1 5/8	7/8	1 5/8	7/8	2 1/8	7/8	2 1/8	7/8	2 1/8	7/8	2 1/8
	Ckt B	7/8	1 5/8	7/8	2 1/8	7/8	2 1/8	1 1/8	2 1/8	1 1/8	2 1/8	1 1/8	2 5/8*
064	Ckt A	7/8	1 5/8	7/8	2 1/8	7/8	2 1/8	7/8	2 1/8	1 1/8	2 1/8	1 1/8	2 5/8†
	Ckt B	7/8	2 1/8	7/8	2 1/8	7/8	2 1/8	1 1/8	2 1/8	1 1/8	2 5/8	1 1/8	2 5/8
074	Ckt A	7/8	2 1/8	7/8	2 1/8	7/8	2 1/8	1 1/8	2 1/8	1 1/8	2 5/8†	1 1/8	2 5/8†
	Ckt B	7/8	2 1/8	1 1/8	2 1/8	1 1/8	2 1/8	1 1/8	2 5/8	1 3/8	2 5/8	1 3/8	2 5/8
084	Ckt A	7/8	2 1/8	1 1/8	2 1/8	1 1/8	2 1/8	1 1/8	2 5/8†	1 3/8	2 5/8†	1 3/8	2 5/8†
	Ckt B	7/8	2 1/8	1 1/8	2 1/8	1 1/8	2 1/8	1 1/8	2 5/8	1 3/8	2 5/8	1 3/8	2 5/8
094	Ckt A	7/8	2 1/8	1 1/8	2 1/8	1 1/8	2 5/8†	1 1/8	2 5/8†	1 3/8	2 5/8†	1 3/8	3 1/8**
	Ckt B	7/8	2 1/8	7/8	2 1/8	1 1/8	2 1/8	1 1/8	2 5/8	1 1/8	2 5/8	1 3/8	2 5/8
104	Ckt A	7/8	2 1/8	1 1/8	2 1/8	1 1/8	2 5/8†	1 1/8	2 5/8†	1 3/8	2 5/8†	1 3/8	3 1/8**
	Ckt B	7/8	2 1/8	1 1/8	2 1/8	1 1/8	2 5/8	1 1/8	2 5/8	1 3/8	3 1/8**	1 3/8	3 1/8**

**LEGEND**

- CV — Constant Volume
- L — Liquid Line
- S — Suction Line
- VAV — Variable Air Volume

\*Double suction riser required on units with field installed unloader on circuit B compressor if condensing unit is elevated above evaporator.

†Double suction riser required on units with field installed unloader on circuit B compressor if condensing unit is elevated above evaporator.

\*\*Double suction riser required on all unit configurations if condensing unit is elevated above evaporator.

**NOTES:**

1. Addition of 2 unloaders to circuit B compressor is not recommended
2. 38AH094 and 38AH104 piping sizes apply only to factory supplied unit configurations. They do NOT take into account any field installed unloaders
3. Piping sizes are based on unit operation above 40 F (4.4 C) saturated suction temperature (SST). When operating below 40 F (4.4 C), refer to Carrier System Design Manual, E20-II piping design program, or ASHRAE Handbook to select proper line sizes
4. Pipe sizes are based on the total linear length shown for each column, plus a 50% allowance for fittings.

5. Suction and liquid line sizing is based on pressure drop equivalent to 2 F (1.1 C) at nominal rating conditions. Higher pressure drop design criteria may allow selection of smaller pipe sizes, but at a penalty of decreased system capacity and efficiency.

6. Double suction risers may be required if condensing unit is elevated above the evaporator. See footnotes and double suction riser table below.

7. Refer to Carrier System Design Manual or to E20-II design programs for further information on selecting pipe sizes for split systems.

8. All pipe sizes are OD inches. Equivalent sizes in millimeters follow:

in.	mm
5/8	15.9
7/8	22.2
1 1/8	28.6
1 3/8	34.9
1 5/8	41.3
2 1/8	54.0
2 5/8	66.7
3 1/8	79.4
3 5/8	92.1

**Table 6B — Refrigerant Piping Requirements for Double Suction Risers, 38AH054-104 Dual-Circuit Units — 60 Hz**

UNIT 38AH		TOTAL LINEAR LENGTH OF INTERCONNECTING PIPE — FT (M)											
		50-75 (15.2-22.9)			75-100 (22.9-30.5)			100-150 (30.5-45.7)			150-200 (45.7-61.0)		
		A	B	C	A	B	C	A	B	C	A	B	C
054	Ckt A	—	—	—	—	—	—	—	—	—	—	—	—
	Ckt B	—	—	—	—	—	—	—	—	—	1 5/8	2 1/8	2 5/8
064	Ckt A	—	—	—	—	—	—	—	—	—	—	—	—
	Ckt B	—	—	—	—	—	—	—	—	—	1 5/8	2 1/8	2 5/8
074	Ckt A	—	—	—	—	—	—	1 5/8	2 1/8	2 5/8	1 5/8	2 1/8	2 5/8
	Ckt B	—	—	—	—	—	—	—	—	—	—	—	—
084	Ckt A	—	—	—	1 5/8	2 1/8	2 5/8	1 5/8	2 1/8	2 5/8	1 5/8	2 1/8	2 5/8
	Ckt B	—	—	—	—	—	—	—	—	—	—	—	—
094	Ckt A	1 5/8	2 1/8	2 5/8	1 5/8	2 1/8	2 5/8	1 5/8	2 1/8	2 5/8	1 5/8	2 5/8	3 1/8
	Ckt B	—	—	—	—	—	—	—	—	—	—	—	—
104	Ckt A	1 3/8	2 1/8	2 5/8	1 3/8	2 1/8	2 5/8	1 3/8	2 1/8	2 5/8	1 3/8	2 5/8	3 1/8
	Ckt B	—	—	—	—	—	—	—	—	—	—	—	—

**LEGEND**

- — Not Required
- Pipe A — Suction Riser Without Trap
- Pipe B — Suction Riser With Trap
- Pipe C — Suction Line to Condensing Unit

**NOTES:**

1. See Refrigerant Piping Requirements table at top of page to determine need for double suction risers.
2. Pipe sizes are based on the total linear length, shown for each column, plus a 50% allowance for fittings.

3. Suction and liquid line sizing is based on pressure drop equivalent to 2 F (1.1 C) at nominal rating conditions. Higher design pressure drop criteria may allow selection of smaller pipe sizes but at a penalty of decreased system capacity and efficiency.

4. Refer to Carrier System Design Manual or to E20-II design programs for further information on selecting pipe sizes for split systems.

5. All pipe sizes are OD inches. See Table 6A notes for metric equivalents.

6. Refer to Fig. 13 for double suction riser construction.



**Table 7A — Refrigerant Piping Requirements, 38AH044-104 Dual-Circuit Units — 50 Hz**

UNIT 38AH		TOTAL LINEAR LENGTH OF INTERCONNECTING PIPE — FT (M)											
		15-25 (4.6-7.6)		25-50 (7.6-15.2)		50-75 (15.2-22.9)		75-100 (22.9-30.5)		100-150 (30.5-45.7)		150-200 (45.7-61.0)	
		L	S	L	S	L	S	L	S	L	S	L	S
044	Ckt A	5/8	1 3/8	7/8	1 5/8	7/8	1 5/8	7/8	2 1/8	7/8	2 1/8	7/8	2 1/8
	Ckt B	5/8	1 3/8	7/8	1 5/8	7/8	1 5/8	7/8	2 1/8	7/8	2 1/8	7/8	2 1/8
054	Ckt A	5/8	1 3/8	7/8	1 5/8	7/8	1 5/8	7/8	2 1/8	7/8	2 1/8	7/8	2 1/8
	Ckt B	7/8	1 5/8	7/8	1 5/8	7/8	2 1/8	7/8	2 1/8	1 1/8	2 1/8	1 1/8	2 5/8†
064	Ckt A	7/8	1 5/8	7/8	1 5/8	7/8	2 1/8†	7/8	2 1/8†	1 1/8	2 1/8†	1 1/8	2 5/8**
	Ckt B	7/8	1 5/8	7/8	2 1/8	7/8	2 1/8	7/8	2 1/8	1 1/8	2 5/8*	1 1/8	2 5/8*
074	Ckt A	7/8	1 5/8	7/8	2 1/8	7/8	2 1/8	7/8	2 1/8	1 1/8	2 5/8†	1 1/8	2 5/8†
	Ckt B	7/8	2 1/8	7/8	2 1/8	1 1/8	2 1/8	1 1/8	2 5/8	1 1/8	2 5/8	1 1/8	2 5/8
084	Ckt A	7/8	2 1/8	7/8	2 1/8	1 1/8	2 1/8	1 1/8	2 5/8†	1 1/8	2 5/8†	1 1/8	2 5/8†
	Ckt B	7/8	2 1/8	7/8	2 1/8	1 1/8	2 1/8	1 1/8	2 5/8	1 1/8	2 5/8	1 1/8	2 5/8
094	Ckt A	7/8	2 1/8	1 1/8	2 1/8	1 1/8	2 5/8**	1 1/8	2 5/8**	1 1/8	2 5/8**	1 1/8	3 1/8**
	Ckt B	7/8	2 1/8	7/8	2 1/8	1 1/8	2 1/8	1 1/8	2 5/8*†	1 1/8	2 5/8*†	1 1/8	2 5/8*†
104	Ckt A	7/8	2 1/8	7/8	2 1/8	1 1/8	2 1/8	1 1/8	2 5/8**	1 1/8	2 5/8**	1 1/8	3 1/8**
	Ckt B	7/8	2 1/8	1 1/8	2 1/8	1 1/8	2 5/8	1 1/8	2 5/8	1 3/8	2 5/8	1 3/8	3 1/8**

**LEGEND**  
**CV** — Constant Volume  
**L** — Liquid Line  
**S** — Suction Line  
**VAV** — Variable Air Volume

\*Double suction riser required on units with field installed unloader on circuit B compressor if condensing unit is elevated above evaporator.  
†Double suction riser required on units with field installed unloader on circuit B compressor if condensing unit is elevated above evaporator.  
\*\*Double suction riser required on all unit configurations if condensing unit is elevated above evaporator

**NOTES:**

- Addition of 2 unloaders to circuit B compressor is not recommended
- 38AH094 and 38AH104 piping sizes apply only to factory supplied unit configurations. They do NOT take into account any field installed unloaders
- Piping sizes are based on unit operation above 40 F (4 C) saturated suction temperature (SST). When operating below 40 F (4 C), refer to Carrier System Design Manual, E20-II piping design program, or ASHRAE Handbook to select proper line sizes
- Pipe sizes are based on the total linear length shown for each column, plus a 50% allowance for fittings

- Suction and liquid line sizing is based on pressure drop equivalent to 2 F (1 C) at nominal rating conditions. Higher pressure drop design criteria may allow selection of smaller pipe sizes, but at a penalty of decreased system capacity and efficiency
- Double suction risers may be required if condensing unit is elevated above the evaporator. See footnotes and double suction riser table below
- Refer to Carrier System Design Manual or to E20-II design programs for further information on selecting pipe sizes for split systems
- All pipe sizes are OD inches. Equivalent sizes in millimeters follow

in.	mm
5/8	15 9
7/8	22 2
1 1/8	28 6
1 3/8	34 9
1 5/8	41 3
2 1/8	54 0
2 5/8	66 7
3 1/8	79 4
3 5/8	92 1

**Table 7B — Refrigerant Piping Requirements for Double Suction Risers, 38AH054-104 Dual-Circuit Units — 50 Hz**

UNIT 38AH		TOTAL LINEAR LENGTH OF INTERCONNECTING PIPE — FT (M)											
		50-75 (15.2-22.9)			75-100 (22.9-30.5)			100-150 (30.5-45.7)			150-200 (45.7-61.0)		
		A	B	C	A	B	C	A	B	C	A	B	C
054	Ckt A	—	—	—	—	—	—	—	—	—	—	—	—
	Ckt B	—	—	—	—	—	—	—	—	—	1 5/8	2 1/8	2 5/8
064	Ckt A	1 3/8	1 5/8	2 1/8	1 3/8	1 5/8	2 1/8	1 5/8	1 5/8	2 1/8	1 5/8	2 1/8	2 5/8
	Ckt B	—	—	—	—	—	—	1 5/8	2 1/8	2 5/8	1 5/8	2 1/8	2 5/8
074	Ckt A	—	—	—	—	—	—	1 5/8	2 1/8	2 5/8	1 5/8	2 1/8	2 5/8
	Ckt B	—	—	—	—	—	—	—	—	—	—	—	—
084	Ckt A	—	—	—	1 5/8	2 1/8	2 5/8	1 5/8	2 1/8	2 5/8	1 5/8	2 1/8	2 5/8
	Ckt B	—	—	—	—	—	—	—	—	—	—	—	—
094	Ckt A	1 3/8	2 1/8	2 5/8	1 3/8	2 1/8	2 5/8	1 5/8	2 1/8	2 5/8	1 5/8	2 5/8	3 1/8
	Ckt B	—	—	—	1 3/8	2 1/8	2 5/8	1 5/8	2 1/8	2 5/8	1 5/8	2 1/8	2 5/8
104	Ckt A	—	—	—	1 3/8	2 1/8	2 5/8	1 5/8	2 1/8	2 5/8	1 5/8	2 5/8	3 1/8
	Ckt B	—	—	—	—	—	—	—	—	—	1 5/8	2 5/8	3 1/8

**LEGEND**  
— — Not Required  
**Pipe A** — Suction Riser Without Trap  
**Pipe B** — Suction Riser With Trap  
**Pipe C** — Suction Line to Condensing Unit

**NOTES:**

- See Refrigerant Piping Requirements table at top of page to determine need for double suction risers
- Pipe sizes are based on the total linear length, shown for each column, plus a 50% allowance for fittings.

- Suction and liquid line sizing is based on pressure drop equivalent to 2 F (1 C) at nominal rating conditions. Higher design pressure drop criteria may allow selection of smaller pipe sizes but at a penalty of decreased system capacity and efficiency.
- Refer to Carrier System Design Manual or to E20-II design programs for further information on selecting pipe sizes for split systems
- All pipe sizes are OD inches. See Table 7A notes for metric equivalents
- Refer to Fig. 13 for double suction riser construction

**Table 8A — Refrigerant Piping Requirements for 38AH044-084 Optional Single-Circuit Units and 38AH124,134 Modular Units (Dual-Circuit) — 60 Hz**

UNIT 38AH	TOTAL LINEAR LENGTH OF INTERCONNECTING PIPE — FT (M)											
	15-20 (4.6-6.1)		20-50 (6.1-15.2)		50-75 (15.2-22.9)		75-100 (22.9-30.5)		100-150 (30.5-45.7)		150-200 (45.7-61.0)	
	L	S	L	S	L	S	L	S	L	S	L	S
044	7/8	2 1/8	7/8	2 1/8	1 1/8	2 1/8	1 1/8	2 5/8*	1 3/8	2 5/8*	1 3/8	3 1/8*
054	7/8	2 1/8	1 1/8	2 5/8	1 1/8	2 5/8	1 1/8	2 5/8	1 3/8	3 1/8*	1 3/8	3 1/8*
064; Modules 124A, 124B,134A	1 1/8	2 1/8	1 1/8	2 5/8†	1 1/8	2 5/8†	1 3/8	3 1/8*	1 3/8	3 1/8*	1 3/8	3 1/8*
074; Module 134B	1 1/8	2 1/8	1 1/8	2 5/8†	1 3/8	3 1/8†	1 3/8	3 1/8†	1 3/8	3 1/8†	1 5/8	3 5/8*
084	1 1/8	2 5/8†	1 1/8	2 5/8†	1 3/8	3 1/8†	1 3/8	3 1/8†	1 5/8	3 5/8†	1 5/8	3 5/8*

**LEGEND**

- CV — Constant Volume
- L — Liquid Line
- S — Suction Line
- VAV — Variable Air Volume

\*Double suction riser required on all units configurations if condensing unit is elevated above evaporator.

†Double suction riser required on units with factory installed VAV option or CV units with additional field installed unloader on circuit A1 (lead) compressor if condensing unit is elevated above evaporator

**NOTES:**

- 1 Addition of field-installed unloaders on A2 (lag) compressor is not recommended
- 2 Piping sizes are based on unit operation above 40 F (4.4 C) saturated suction temperature (SST). When operating below 40 F (4.4 C), refer to Carrier System Design Manual, E20-II piping design program, or ASHRAE Handbook to select proper line sizes
- 3 Pipe sizes are based on the total linear length shown for each column, plus a 50% allowance for fittings.
- 4 Suction and liquid line sizing is based on pressure drop equivalent to 2 F (1.1 C) at nominal rating conditions Higher pressure drop

design criteria may allow selection of smaller pipe sizes, but at a penalty of decreased system capacity and efficiency

- 5 Double suction risers may be required if condensing unit is elevated above the evaporator See footnotes and double suction riser table below.
- 6 Refer to Carrier System Design Manual, E20-II design program, or ASHRAE Handbook for further information on selecting pipe sizes for split systems.
7. All pipe sizes are OD inches Equivalent sizes in millimeters follow:

in.	mm
5/8	15.9
7/8	22.2
1 1/8	28.6
1 3/8	34.9
1 5/8	41.3
2 1/8	54.0
2 5/8	66.7
3 1/8	79.4
3 5/8	92.1

**Table 8B — Refrigerant Piping Requirements for Double Suction Risers, 38AH044-084 Optional Single-Circuit Units and 38AH124,134 Modular Units (Dual-Circuit) — 60 Hz**

UNIT 38AH	TOTAL LINEAR LENGTH OF INTERCONNECTING PIPE — FT														
	15-50 (4.6-15.2)			50-75 (15.2-22.9)			75-100 (22.9-30.5)			100-150 (30.5-45.7)			150-200 (45.7-61.0)		
	A	B	C	A	B	C	A	B	C	A	B	C	A	B	C
044	—	—	—	—	—	—	1 5/8	2 1/8	2 5/8	1 5/8	2 1/8	2 5/8	1 5/8	2 5/8	3 1/8
054	—	—	—	—	—	—	—	—	—	1 5/8	2 5/8	3 1/8	1 5/8	2 5/8	3 1/8
064 Modules 124A, 124B,134A	1 5/8	2 1/8	2 5/8	1 5/8	2 1/8	2 5/8	1 5/8	2 5/8	3 1/8	1 5/8	2 5/8	3 1/8	1 5/8	2 5/8	3 1/8
074; Module 134B	1 5/8	2 1/8	2 5/8	1 5/8	2 5/8	3 1/8	1 5/8	2 5/8	3 1/8	1 5/8	2 5/8	3 1/8	2 1/8	3 1/8	3 5/8
084	1 5/8	2 1/8	2 5/8	1 5/8	2 5/8	3 1/8	1 5/8	2 5/8	3 1/8	2 1/8	3 1/8	3 5/8	2 1/8	3 1/8	3 5/8

**LEGEND**

- — Not Required
- Pipe A — Suction Riser Without Trap
- Pipe B — Suction Riser With Trap
- Pipe C — Suction Line to Condensing Unit

**NOTES:**

- 1 See Refrigerant Piping Requirements table at top of page to determine need for double suction risers.
- 2 Pipe sizes are based on the total linear length, shown for each column, plus a 50% allowance for fittings.

3 Suction and liquid line sizing is based on pressure drop equivalent to 2 F (1.1 C) at nominal rating conditions Higher design pressure drop criteria may allow selection of smaller pipe sizes but at a penalty of decreased system capacity and efficiency

4. Refer to Carrier System Design Manual or to E20-II design programs for further information on selecting pipe sizes for split systems
- 5 All pipe sizes are OD inches See Table 8A notes for metric equivalents
- 6 Refer to Fig. 13 for double suction riser construction

**Table 9A — Refrigerant Piping Requirements for 38AH044-084 Optional Single-Circuit Units and 38AH124,134 Modular Units (Dual Circuit) — 50 Hz**

UNIT 38AH	TOTAL LINEAR LENGTH OF INTERCONNECTING PIPE — FT (M)											
	15-20 (4.6-6.1)		20-50 (6.1-15.2)		50-75 (15.2-22.9)		75-100 (22.9-30.5)		100-150 (30.5-45.7)		150-200 (45.7-61.0)	
	L	S	L	S	L	S	L	S	L	S	L	S
044	7/8	2 1/8	7/8	2 1/8	1 1/8	2 1/8	1 1/8	2 5/8*	1 1/8	2 5/8*	1 3/8	2 5/8*
054	7/8	2 1/8	1 1/8	2 1/8	1 1/8	2 5/8*	1 1/8	2 5/8*	1 1/8	2 5/8*	1 3/8	3 1/8*
064; Modules 124A, 124B, 134A	7/8	2 1/8	1 1/8	2 5/8†	1 1/8	2 5/8†	1 1/8	2 5/8†	1 3/8	3 1/8*	1 3/8	3 1/8*
074; Module 134B	7/8	2 1/8	1 1/8	2 5/8†	1 1/8	2 5/8†	1 3/8	3 1/8*	1 3/8	3 1/8*	1 3/8	3 1/8*
084	1 1/8	2 1/8	1 1/8	2 5/8†	1 3/8	3 1/8*	1 3/8	3 1/8*	1 3/8	3 1/8*	1 5/8	3 5/8*

**LEGEND**  
**CV** — Constant Volume  
**L** — Liquid Line  
**S** — Suction Line  
**VAV** — Variable Air Volume

\*Double suction riser required on all units configurations if condensing unit is elevated above evaporator.

†Double suction riser required on units with factory installed VAV option or CV units with additional field installed unloader on circuit A1 (lead) compressor if condensing unit is elevated above evaporator

**NOTES:**

1. Addition of field-installed unloaders on A2 (lag) compressor is not recommended
2. Piping sizes are based on unit operation above 40 F (4.4 C) saturated suction temperature (SST) When operating below 40 F (4.4 C), refer to Carrier System Design Manual, E20-II piping design program, or ASHRAE Handbook to select proper line sizes
3. Pipe sizes are based on the total linear length shown for each column, plus a 50% allowance for fittings
4. Suction and liquid line sizing is based on pressure drop equivalent to 2 F (1.1 C) at nominal rating conditions Higher pressure drop

design criteria may allow selection of smaller pipe sizes, but at a penalty of decreased system capacity and efficiency

5. Double suction risers may be required if condensing unit is elevated above the evaporator See footnotes and double suction riser table below.
6. Refer to Carrier System Design Manual, E20-II design program, or ASHRAE Handbook for further information on selecting pipe sizes for split systems.
7. All pipe sizes are OD inches Equivalent sizes in millimeters follow:

in.	mm
5/8	15.9
7/8	22.2
1 1/8	28.6
1 3/8	34.9
1 5/8	41.3
2 1/8	54.0
2 5/8	66.7
3 1/8	79.4
3 5/8	92.1

**Table 9B — Refrigerant Piping Requirements for Double Suction Risers, 38AH044-084 Optional Single-Circuit Units and 38AH124,134 Modular Units (Dual Circuit) — 50 Hz**

UNIT 38AH	TOTAL LINEAR LENGTH OF INTERCONNECTING PIPE — FT (M)																	
	15-20 (4.6-6.1)			20-50 (6.1-15.2)			50-75 (15.2-22.9)			75-100 (22.9-30.5)			100-150 (30.5-45.7)			150-200 (45.7-61.0)		
	A	B	C	A	B	C	A	B	C	A	B	C	A	B	C	A	B	C
044	—	—	—	—	—	—	—	—	—	1 5/8	2 1/8	2 5/8	1 5/8	2 5/8	2 5/8	1 5/8	2 5/8	2 5/8
054	—	—	—	—	—	—	1 5/8	2 1/8	2 5/8	1 5/8	2 1/8	2 5/8	1 5/8	2 1/8	2 5/8	1 5/8	2 5/8	3 1/8
064; Modules 124A, 124B, 134A	—	—	—	1 5/8	2 1/8	2 5/8	1 5/8	2 1/8	2 5/8	1 5/8	2 1/8	2 5/8	1 5/8	2 5/8	3 1/8	1 5/8	2 5/8	3 1/8
074; Module 134B	—	—	—	1 5/8	2 1/8	2 5/8	1 5/8	2 1/8	2 5/8	1 5/8	2 5/8	3 1/8	1 5/8	2 5/8	3 1/8	1 5/8	3 1/8	3 5/8
084	—	—	—	1 5/8	2 1/8	2 5/8	1 5/8	2 5/8	3 1/8	1 5/8	2 5/8	3 1/8	1 5/8	2 5/8	3 1/8	1 5/8	3 1/8	3 5/8

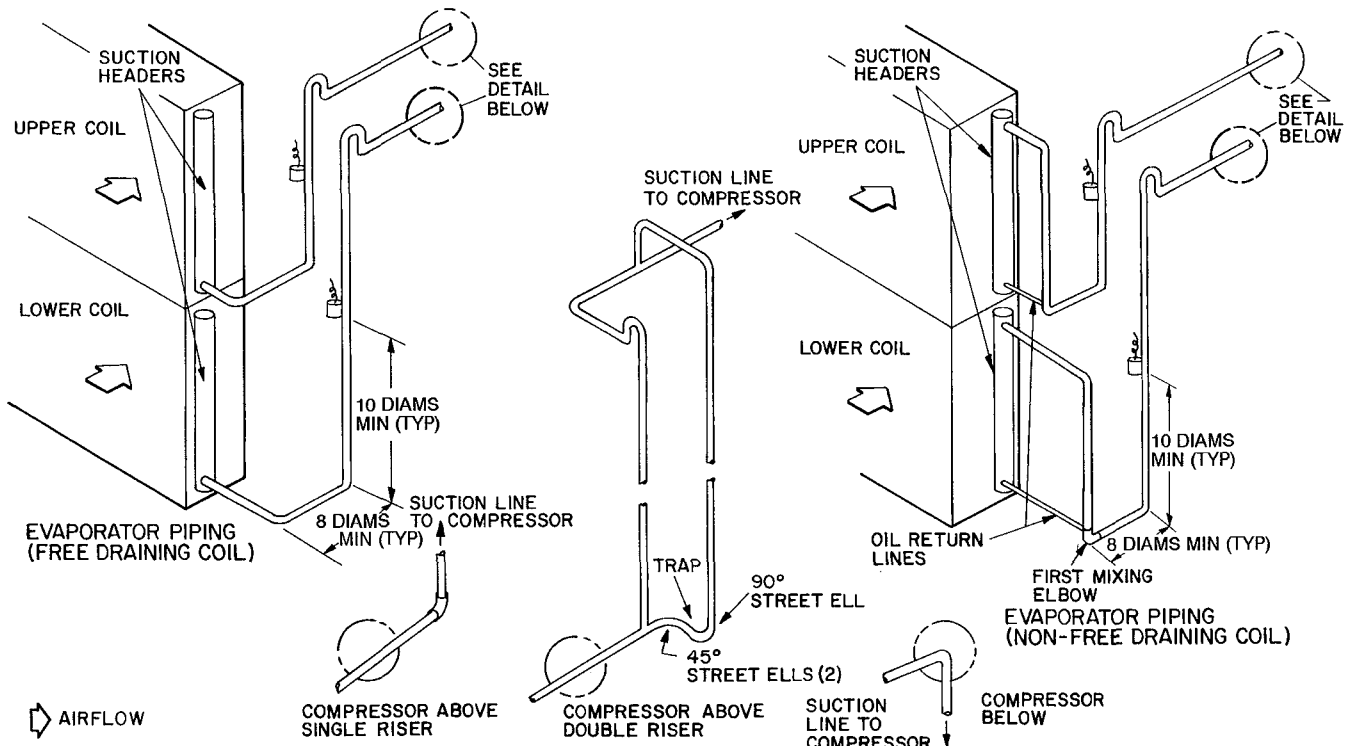
**LEGEND**  
 — — Not Required  
**Pipe A** — Suction Riser Without Trap  
**Pipe B** — Suction Riser With Trap  
**Pipe C** — Suction Line to Condensing Unit

**NOTES:**

1. See Refrigerant Piping Requirements table at top of page to determine need for double suction risers
2. Pipe sizes are based on the total linear length, shown for each column, plus a 50% allowance for fittings

3. Suction and liquid line sizing is based on pressure drop equivalent to 2 F (1.1 C) at nominal rating conditions Higher design pressure drop criteria may allow selection of smaller pipe sizes but at a penalty of decreased system capacity and efficiency

4. Refer to Carrier System Design Manual or to E20-II design programs for further information on selecting pipe sizes for split systems
5. All pipe sizes are OD inches See Table 9A notes for metric equivalents
6. Refer to Fig 13 for double suction riser construction

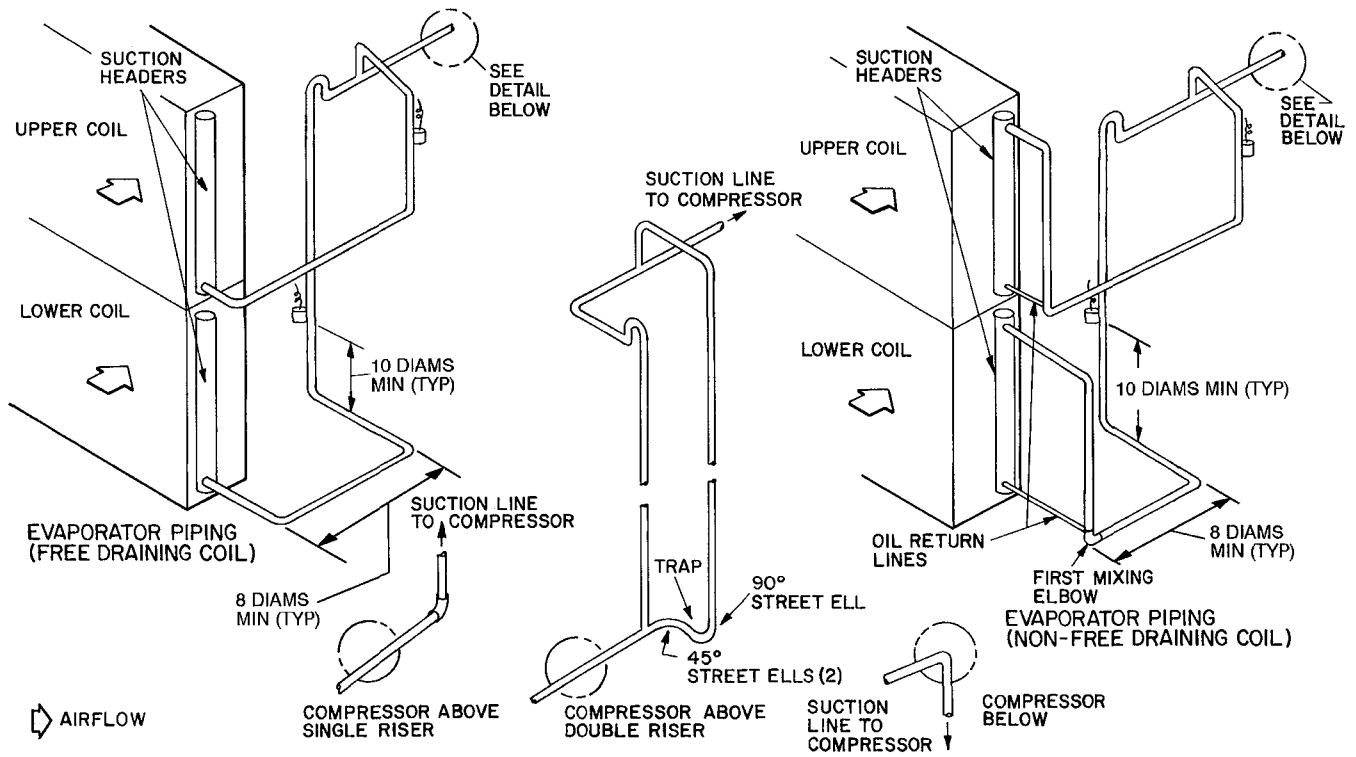


LEGEND

TXV — Thermostatic Expansion Valve  
 TYP — Typical

NOTE Lower split first on, last off

Fig. 14 — Typical Piping Connections for Face Split Coils for 38AH044-084 Dual-Circuit and 38AH094-134 Units



LEGEND

TXV — Thermostatic Expansion Valve  
 TYP — Typical

NOTE Lower split first on, last off

Fig. 15 — Typical Piping Connections for Face Split Coils for 38AH044-084 Optional Single-Circuit Units

**Units 38AH124 and 134 Piping Kit Connections** — The 38AH124 and 134 units are delivered with a factory-supplied suction and liquid piping kit for installation in the 24-in. (610-mm) service space between the 2 unit modules. The piping kit allows for a common unit side piping connection from the indoor unit to each of the condensing unit refrigeration circuits. Fittings are provided and shipped in the control box.

Remove the copper tubes from Module 124A or 134A compressor rails. Save the pipe clamps for later use. Cut the 2 $\frac{5}{8}$ -in. (67-mm) suction tube into 2 pieces: 28 in. (711 mm) and 67 in. (1702 mm). Connect the 2 formed 1 $\frac{1}{8}$ -in. (29-mm) tubes to the liquid line connection at the liquid valve. See Fig. 16.

**NOTE:** Piping kit is designed to allow air handler connections to project from either side of the service space.

To prepare condensing unit modules for piping connection, refer to beginning paragraphs of Step 3 — Make Refrigeration Piping Connections, page 13.

Two 2 $\frac{5}{8}$ -in. (67-mm) and one 1 $\frac{1}{8}$ -in. (29-mm) elbows are supplied for piping connections. Fit tubing to ensure proper installation. All tubes should have equal lengths projecting beyond unit corner posts. See Fig. 16. Ensure suction tube is level for oil return requirements.

**▲ CAUTION**

Protect liquid valves from the heat of brazing.

Braze the piping connections.

Level the tubes and clamp to the corner posts with factory-supplied self-drilling screws and pipe clamps removed from Module 124A or 134A during piping kit removal.

**Units 38AH124 and 134 Sheet Metal Trim Kit Installation** — After the units are in place and the piping kit is installed, install the sheet metal trim kit.

**NOTE:** Install sheet metal trim kit *before* connection to air handler tubing in case the modules must be repositioned to accommodate the sheet metal installation.

Remove two 43-in. (1092 mm) base rail trim pieces from Module 124A or 134A base rail. Remove the 3 corner post bolts from the bottom of each corner post at the service space. Align the base rail trim piece holes over the bolt holes in the corner rails. See Fig. 17. Reinsert corner post bolts through the trim piece into the corner posts.

**Attach Top Cover** — To attach top cover, proceed as follows:

**For Unit 38AH134,** remove screws A from top of each of 4 corner posts at service space. See Fig. 18. Place cover on top of service space and align top cover slots with corner post screw holes. Reinsert screws A.

**For Unit 38AH124,** remove screws A from top of each corner post on Module 134A and screws B from top of each corner post on Module 134B. See Fig. 18. Top cover is in 2 pieces: one vertical piece and one horizontal piece. Slide vertical top cover partly under Module 134B end cover flange;

align holes and reinsert screws B. Place horizontal cover on top of Module 134A end cover with opposite side resting on the horizontal flange of the installed Module B vertical top cover piece. Align holes on flange and top cover. Reinsert screws A through the top cover holes into the end cover. From within the service space, insert supplied screws up through the flange and horizontal cover to make a secure connection between the horizontal and vertical cover pieces.

Insert supplied screws into each of the 2 holes in the vertical side flange of the top cover at each end of the service space.

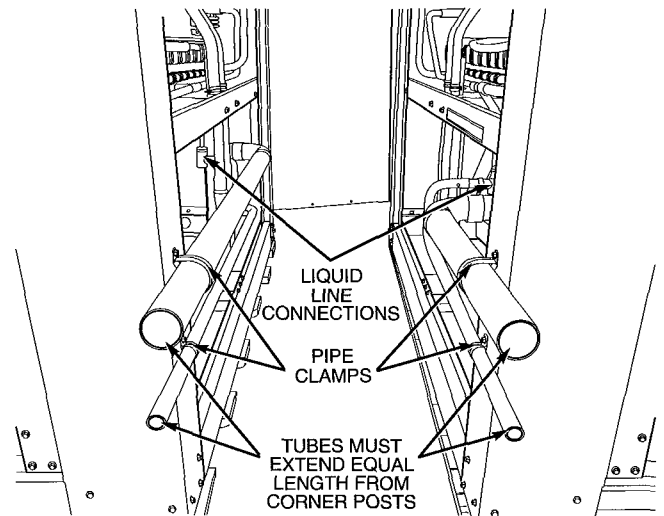
**Attach Side Panels** — Insert side panels at the ends of the service space and hook side panel flange over the 2 screws previously inserted in the top cover flange. Fasten panels to the corner posts with supplied self-drilling screws, 3 per side. See Fig. 19.

**Connect Tubing from Evaporator to Unit** —

**▲ CAUTION**

Protect liquid valves from the heat of brazing.

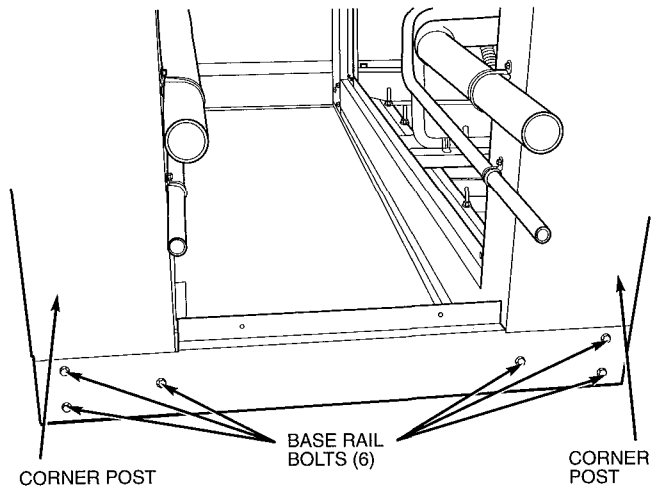
Braze the liquid and suction lines from the evaporator to the condensing unit liquid and suction lines. Leak test the entire system by the pressure method described in the Carrier Standard Service Techniques Manual, Chapter 1, Section 1-6. Use R-22 at approximately 25 psig (172 kPa) backed up with an inert gas to a total pressure not to exceed 245 psig (1689 kPa). If a leak is detected, evacuate and dehydrate the system. Follow methods described in the Carrier Service Manual, Chapter 1, Section 1-7.



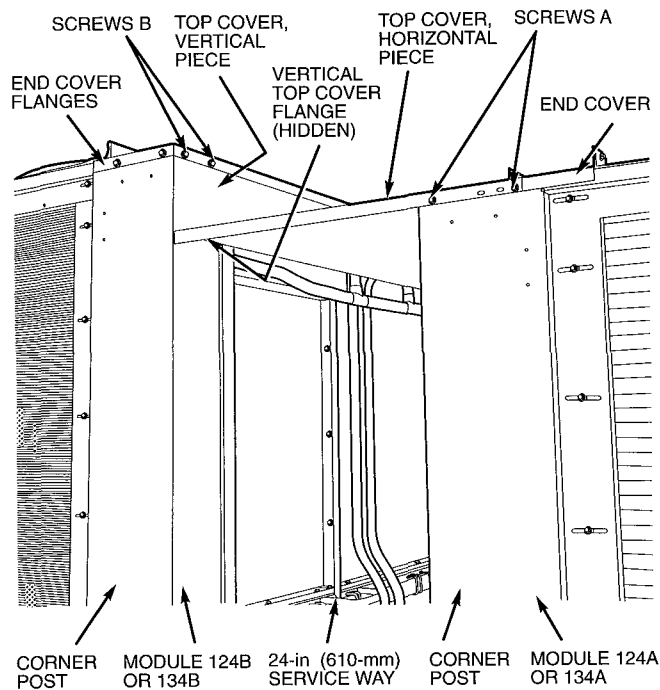
**NOTES:**

1. Ensure suction tube is level for oil return requirements.
2. Protect liquid valves from heat of brazing.

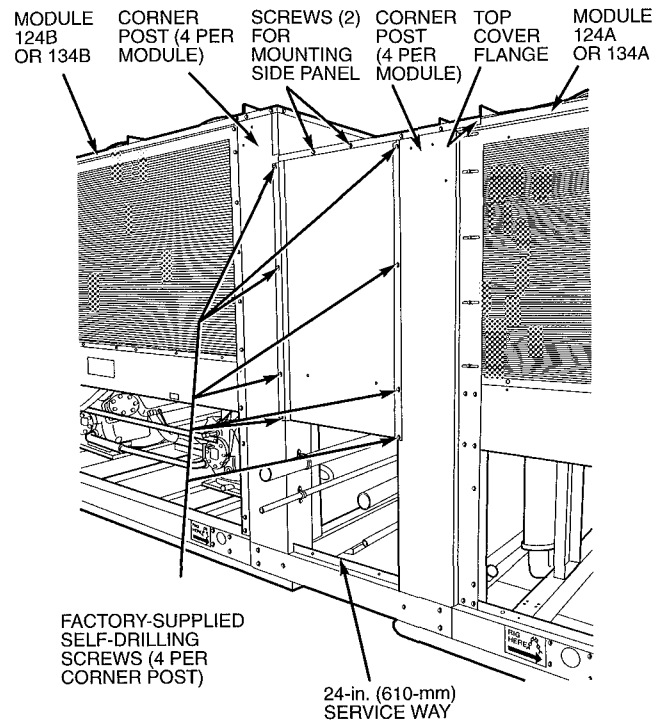
**Fig. 16 — Units 38AH124 and 134 with Installed Piping Kit**



**Fig. 17 — Units 38AH124 and 134 with Installed Trim Kit Rails**



**Fig. 18 — Units 38AH124 and 134 with Installed Top Cover (Unit 38AH134 Shown)**



**Fig. 19 — Fully Assembled Piping and Trim Kit (Unit 38AH134 Shown)**

## Step 4 — Make Electrical Connections

**POWER SUPPLY** — Electrical characteristics of available power supply must agree with unit nameplate rating. Supply voltage must be within the limits shown in Tables 10A or 10B, 11 and 12. See Table 13 for control circuit data and Table 14 for fan motor electrical data.

**IMPORTANT:** Operation of unit on improper supply voltage or with excessive phase imbalance constitutes abuse and can affect any Carrier warranty.

**FIELD POWER CONNECTIONS** — All power wiring must comply with applicable local and national codes. Install field-supplied, branch circuit safety disconnect(s) of a type that can be locked off/open. Disconnects must be located within sight of, and readily accessible from, the unit in compliance with NEC (National Electrical Code) (U.S.A. Standard) Article 440-14.

All field power enters the unit through a hole in the control box shelf. Refer to Fig. 20-28 for field wiring details.

**MAIN POWER** — Units 38AH044-104 have single-point power connection to simplify field-power wiring (all power enters at one end). Units 38AH124 and 134 require 2 connection points, one for each module. Units may use copper, copper-clad aluminum, or aluminum conductors at all voltages. The maximum wire size units can accept per terminal block is 500 kcmil.

Power must be supplied as shown in Table 15.

**CONTROL CIRCUIT WIRING** — Control circuit wiring is accomplished with a step-down transformer on voltage designations -500, -600, and -100 in table below where the primary voltage is field voltage. For 208/230-v, 3-ph, 60-Hz units, ensure that the transformer primary is wired properly for the voltage which will be applied. All control wiring must comply with applicable local and national codes. The safety circuits are 24 v on all units. The safety circuit voltage is created with a step-down transformer where main control voltage is the transformer primary voltage.

See Table 13 for control circuit information.

**Table 10A — Electrical Data — 50/60 Hz (38AH044-084 Dual-Circuit Units)**

38AH	Voltage Designation	Compressor A1/B1 Model No.	Nameplate V-Ph-Hz	Supply Voltage†		MCA	MOCP	ICF	COMPRESSOR*			
				Min	Max				A1		B1	
									RLA	LRA	RLA	LRA
044	500	06E4250/250	208/230-3-60	187	254	179.4	225	434.7	67.9	345	67.9	345
	600		460-3-60	414	508	91.3	100	218.6	34.6	173	34.6	173
	100		575-3-60	518	632	78.4	100	162.4	28.8	120	28.8	120
	200		380-3-60	342	418	93.5	125	241.2	34.6	191	34.6	191
	800 (PW)		230-3-50	198	254	180.2	225	296.7	67.9	207	67.9	207
	900		380/415-3-50	342	440	91.5	100	219.6	34.6	173	34.6	173
	300 (PW)		346-3-50	325	367	100.0	125	165.9	33.3	115	33.3	115
054	500	06E4250/265	208/230-3-60	187	254	206.6	250	535.7	67.9	345	89.7	446
	600		460-3-60	414	508	102.4	125	268.6	34.6	173	43.6	223
	100		575-3-60	518	632	88.0	125	206.4	28.8	120	36.5	164
	200		380-3-60	342	418	107.1	150	297.2	34.6	191	45.5	247
	900		380/415-3-50	342	440	102.7	125	269.6	34.6	173	43.6	223
	300 (PW)		346-3-50	325	367	107.0	150	198.9	33.3	115	44.9	148
	064		500	06E8265/275	208/230-3-60	187	254	249.3	350	617.5	89.7	446
600		460-3-60	414		508	115.5	150	307.6	43.6	223	46.8	253
100		575-3-60	518		632	100.6	125	226.1	36.5	164	40.4	176
200		380-3-60	342		418	126.9	175	341.1	45.5	247	52.6	280
900		380/415-3-50	342		440	114.1	150	335.6	43.6	223	46.8	280
300 (PW)		346-3-50	325		367	129.8	175	230.5	44.9	148	53.8	168
074		500	06E8275/299		208/230-3-60	187	254	330.5	450	829.0	106.4	506
	600	460-3-60		414	508	148.6	200	408.2	46.8	253	65.4	345
	100	575-3-60		518	632	132.2	175	336.8	40.4	176	57.1	276
	200	380-3-60		342	418	174.5	250	458.0	52.6	280	78.8	382
	900	380/415-3-50		342	440	143.0	200	403.8	46.8	280	65.4	345
	300 (PW)	346-3-50		325	367	170.8	250	300.4	53.8	168	79.5	229
	084	500		06E8299/299	208/230-3-60	187	254	371.5	500	870.0	147.4	690
600		460-3-60	414		508	167.2	225	426.8	65.4	345	65.4	345
100		575-3-60	518		632	148.9	200	353.5	57.1	276	57.1	276
200		380-3-60	342		418	200.7	250	484.2	78.8	382	78.8	382
900		380/415-3-50	342		440	167.6	225	428.4	65.4	345	65.4	345
300 (PW)		346-3-50	325		367	205.3	250	334.9	79.5	229	79.5	229

See page 24 for Legend and Notes

**Table 10B — Electrical Data — 50/60 Hz (38AH044-084 Optional Single-Circuit Units)**

38AH	Voltage Designation	OPTIONAL SINGLE-CIRCUIT UNIT							COMPRESSOR*			
		Compressor A1/A2 Model No.	Nameplate V-Ph-Hz	Supply Voltage		MCA	MOCP	ICF	A1		A2	
				Min	Max				RLA	LRA	RLA	LRA
044	500	06E4250/250	208/230-3-60	187	254	179.4	225	434.7	67.9	345	67.9	345
	600		460-3-60	414	508	91.3	100	218.6	34.6	173	34.6	173
	100		575-3-60	518	632	78.4	100	162.4	28.8	120	28.8	120
	200		380-3-60	342	418	93.5	125	241.2	34.6	191	34.6	191
	800 (PW)		230-3-50	198	254	180.2	225	296.7	67.9	207	67.9	207
	900		380/415-3-50	342	440	91.5	100	219.6	34.6	173	34.6	173
300 (PW)	346-3-50	325	367	100.0	125	165.9	33.3	115	33.3	115		
054	500	06E4265/250	208/230-3-60	187	254	206.6	250	535.7	89.7	446	67.9	345
	600		460-3-60	414	508	102.4	125	268.6	43.6	223	34.6	173
	100		575-3-60	518	632	88.0	125	206.4	36.5	164	28.8	120
	200		380-3-60	342	418	107.1	150	297.2	45.5	247	34.6	191
	900		380/415-3-50	342	440	102.7	125	269.6	43.6	223	34.6	173
	300 (PW)		346-3-50	325	367	107.0	150	198.9	44.9	148	33.3	115
064	500	06E8275/265	208/230-3-60	187	254	249.3	350	617.5	106.4	506	89.7	446
	600		460-3-60	414	508	115.5	150	307.6	46.8	253	43.6	223
	100		575-3-60	518	632	100.6	125	226.1	40.4	176	36.5	164
	200		380-3-60	342	418	126.9	175	341.1	52.6	280	45.5	247
	900		380/415-3-50	342	440	115.7	150	335.6	46.8	280	43.6	223
	300 (PW)		346-3-50	325	367	129.8	175	230.5	53.8	168	44.9	148
074	500	06E8299/275	208/230-3-60	187	254	330.5	450	829.0	147.4	690	106.4	506
	600		460-3-60	414	508	148.6	200	408.2	65.4	345	46.8	253
	100		575-3-60	518	632	132.2	175	336.8	57.1	276	40.4	176
	200		380-3-60	342	418	174.5	250	458.0	78.8	382	52.6	280
	900		380/415-3-50	342	440	143.0	200	403.8	65.4	345	46.8	280
	300 (PW)		346-3-50	325	367	170.8	250	300.4	79.5	229	53.8	168
084	500	06E8299/299	208/230-3-60	187	254	371.5	500	870.0	147.4	690	147.4	690
	600		460-3-60	414	508	167.2	225	426.8	65.4	345	65.4	345
	100		575-3-60	518	632	148.9	200	353.5	57.1	276	57.1	276
	200		380-3-60	342	418	200.7	250	484.2	78.8	382	78.8	382
	900		380/415-3-50	342	440	167.6	225	428.4	65.4	345	65.4	345
	300 (PW)		346-3-50	325	367	205.3	250	334.9	79.5	229	79.5	229

**LEGEND**

- FLA** — Full Load Amps
- ICF** — Maximum Instantaneous Current Flow During Starting. (The point in the starting sequence where the sum of the LRA for the starting compressors, plus the total RLA for all running compressors, plus the FLA for all running fan motors is maximum)
- kcmil** — Thousand Circular Mils
- LRA** — Locked Rotor Amps
- Max** — Maximum
- MCA** — Minimum Circuit Amps (used for sizing; complies with National Electrical Code [NEC] [U S A Standard], section 430-24)
- Min** — Minimum
- MOCP** — Maximum Overcurrent Protection (used for sizing disconnect, complies with NEC Article 440, Section 22).
- RLA** — Rated Load Amps
- PW** — Part Wind Only

\*All compressors are across-the-line start only except 38AH044 230 v, 3-phase, 50 Hz; and all 346 v, 3-phase, 50 Hz  
 †Units are suitable for use on electrical systems where voltage supplied to unit terminals is within listed minimum to maximum limits

**NOTES:**

- 1 Maximum allowable phase imbalance voltage - 2%; amps - 10%
- 2 Maximum incoming wire size for terminal block is 500 kcmil



**Table 11 — Electrical Data — 50/60 Hz (Units 38AH094,104)**

UNIT 38AH	VOLTAGE DESIGNATION	NAMEPLATE V-Ph-Hz	SUPPLY VOLTAGE*		MCA	MOCP	ICF	COMPRESSOR†							
			Min	Max				A1		A2		B1		B2	
								RLA	LRA	RLA	LRA	RLA	LRA	RLA	LRA
094	500	208/230-3-60	187	253	398.5	500	897	106.4	506	67.9	345	147.7	690	—	—
	600	460-3-60	414	506	183.1	225	443	46.8	253	34.6	173	65.4	345	—	—
	100	575-3-60	518	633	160.9	200	366	40.4	176	28.8	120	57.1	276	—	—
	200	380-3-60	342	418	209.1	250	493	52.6	280	34.6	191	78.8	382	—	—
	900	380/415-3-50	342	440	183.6	225	444	46.8	280	34.6	173	65.4	345	—	—
	300 (PW)	346-3-50	325	380	212.9	250	343	53.8	168	33.3	115	79.5	229	—	—
104	500	208/230-3-60	187	253	399.4	450	722	89.7	446	67.9	345	89.7	446	89.7	446
	600	460-3-60	414	506	196.3	225	361	43.6	223	34.6	173	43.6	223	43.6	223
	100	575-3-60	518	633	168.0	200	286	36.5	164	28.8	120	36.5	164	36.5	164
	200	380-3-60	342	418	205.9	250	396	45.5	247	34.6	191	45.5	247	45.5	247
	900	380/415-3-50	342	440	196.7	225	363	43.6	223	34.6	173	43.6	223	43.6	223
	300 (PW)	346-3-50	325	380	205.6	250	298	44.9	148	33.3	229	44.9	148	49.9	148

**LEGEND**

- Not Applicable
- FLA** — Full Load Amps
- ICF** — Maximum Instantaneous Current Flow During Starting (The point in the starting sequence where the sum of the LRA for the starting compressors, plus the total RLA for all running compressors, plus the FLA for all running fan motors is maximum)
- kcmil** — Thousand Circular Mils
- LRA** — Locked Rotor Amps
- MCA** — Minimum Circuit Amps (used for sizing, complies with National Electrical Code [NEC] [U.S.A. Standard], section 430-24).
- MOCP** — Maximum Overcurrent Protection (used for sizing disconnect, complies with NEC [U.S.A. Standard], section 440-22)
- RLA** — Rated Load Amps

\*Units are suitable for use on electrical systems where voltage supplied to unit terminals is within listed minimum to maximum limits  
 †All compressors are across-the-line start only except 346-V, 3-ph, 50-Hz units.

**NOTES.**

1. Maximum allowable phase imbalance: voltage - 2%; amps - 10%
2. Maximum incoming wire size for terminal block is 500 kcmil
3. For units 38AH094 and 104 compressor model numbers, see table below:

UNIT 38AH	094			104				
	CKT	A1	A2	B1	A1	A2	B1	B2
MODEL NO. 06E	-275	-250	-299	-265	-250	-265	-265	-265

**Table 12 — Electrical Data — 50/60 Hz (Units 38AH124, 134)**

UNIT 38AH MODULE	VOLTAGE DESIGNATION	COMPRESSOR A1/A2 MODEL NO.	NAMEPLATE V-Ph-Hz	SUPPLY VOLTAGE*		MCA	MOC P	ICF	COMPRESSOR†			
				Min	Max				A1		A2	
									RLA	LRA	RLA	LRA
124A 124B 134A	500	06E8275/ 265	208/230-3-60	187	254	249.3	350	617.5	106.4	506	89.7	446
	600		460-3-60	414	508	115.5	150	307.6	46.8	253	43.6	223
	100		575-3-60	518	632	100.6	125	226.1	40.4	176	36.5	164
	200		380-3-60	342	418	126.9	175	341.1	52.6	280	45.5	247
	900		380/415-3-50	342	440	115.7	150	335.6	46.8	280	43.6	223
	300 (PW)		346-3-50	325	367	129.8	175	230.5	53.8	168	44.9	148
134B	500	06E8299/ 275	208/230-3-60	187	254	330.5	450	829.0	147.4	690	106.4	506
	600		460-3-60	414	508	148.6	200	408.2	65.4	345	46.8	253
	100		575-3-60	518	632	132.2	175	336.8	57.1	276	40.4	176
	200		380-3-60	342	418	174.5	250	458.0	78.8	382	52.6	280
	900		380/415-3-50	342	440	149.0	200	403.8	65.4	345	46.8	280
	300 (PW)		346-3-50	325	367	170.8	250	300.4	79.5	229	53.8	168

**LEGEND**

- FLA** — Full Load Amps
- ICF** — Maximum Instantaneous Current Flow During Starting (The point in the starting sequence where the sum of the LRA for the starting compressors, plus the total RLA for all running compressors, plus the FLA for all running fan motors is maximum)
- kcmil** — Thousand Circular Mils
- LRA** — Locked Rotor Amps
- MCA** — Minimum Circuit Amps (used for sizing; complies with National Electrical Code [NEC] [U.S.A. Standard], section 430-24)
- MOC P** — Maximum Overcurrent Protection (used for sizing disconnect; complies with NEC [U.S.A. Standard], section 440-22)
- PW** — Part Wind
- RLA** — Rated Load Amps

\*Units are suitable for use on electrical systems where voltage supplied to unit terminals is within listed minimum to maximum limits  
 †All compressors are across-the-line start only except 346-v, 3-ph, 50Hz unit

**NOTES**

1. Maximum allowable phase imbalance voltage - 2%; amps - 10%
2. Maximum incoming wire size for terminal block is 500 kcmil

**Table 13 — Control Circuit Electrical Data — 50/60 Hz**

UNIT DESIGNATION	Unit Power	Control Power			Amps
	V-Ph-Hz	V-Ph-Hz	Min	Max	
-500	208/230-3-60	115-1-60	103	127	4.1
-600	460-3-60	115-1-60	103	127	4.1
-100	575-3-60	115-1-60	103	127	4.1
-200	380-3-60	230-1-60	207	253	2.0
-800	230-3-50	230-1-50	207	253	2.0
-900	380/415-3-50	230-1-50	207	253	2.0
-300	346-3-50	200-1-50	180	220	2.4

NOTE: Units 38AH124 and 134 have 2 control boxes per unit, one in each module.

Table 14 — Fan Motor Electrical Data

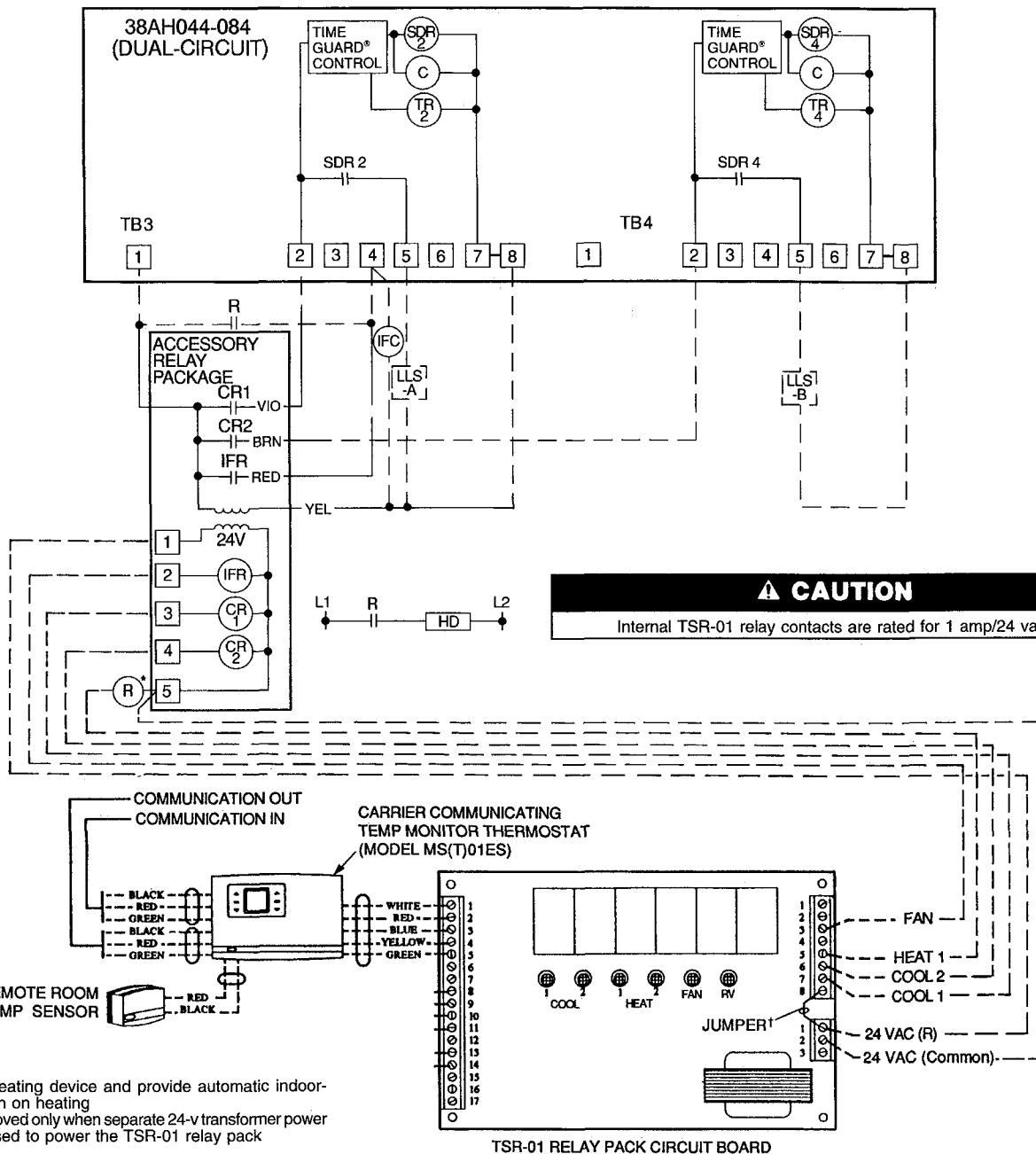
UNIT 38AH	CONDENSER FAN					
	Nameplate V-Ph-Hz	Qty	Hp (kW)	Total kW	(No.*) FLA Each	(No.*) LRA Each
044	208/230-3-60	4	1 (0.746)	6.2	(1,2) 5.5 (3,4) 6.6	(1,2) 30.0 (3,4) 31.6
	460-3-60				(1,2) 2.8 (3,4) 3.3	(1,2) 30.0 (3,4) 31.6
	575-3-60				(1-4) 3.4	(1-4) 30.0
	380-3-60				(1-4) 3.9	(1-4) 20.9
	230-3-50				(1,2) 5.5 (3,4) 6.8	(1,2) 30.0 (3,4) 31.6
	380/415-3-50				(1-4) 3.4	(1-4) 30.0
	346-3-50				(1-4) 4.4	(1-4) 20.9
054	208/230-3-60	4	1 (0.746)	6.2	(1,2) 5.5 (3,4) 6.6	(1,2) 30.0 (3,4) 31.6
	460-3-60				(1,2) 2.8 (3,4) 3.3	(1,2) 30.0 (3,4) 31.6
	575-3-60				(1-4) 3.4	(1-4) 30.0
	380-3-60				(1-4) 3.9	(1-4) 20.9
	380/415-3-50				(1-4) 3.4	(1-4) 30.0
	346-3-50				(1-4) 4.4	(1-4) 20.9
064	208/230-3-60	4	1 (0.746)	6.2	(1,2) 5.5 (3,4) 6.6	(1,2) 30.0 (3,4) 31.6
	460-3-60				(1,2) 2.8 (3,4) 3.3	(1,2) 30.0 (3,4) 31.6
	575-3-60				(1-4) 3.4	(1-4) 30.0
	380-3-60				(1-4) 3.9	(1-4) 20.9
	380/415-3-50				(1-4) 3.4	(1-4) 30.0
	346-3-50				(1-4) 4.4	(1-4) 20.9
074	208/230-3-60	6	1 (0.746)	9.3	(1,2) 5.5 (3-6) 6.6	(1,2) 30.0 (3-6) 31.6
	460-3-60				(1,2) 2.8 (3-6) 3.3	(1,2) 30.0 (3-6) 31.6
	575-3-60				(1-6) 3.4	(1-6) 30.0
	380-3-60				(1-6) 3.9	(1-6) 20.9
	380/415-3-50				(1-6) 3.4	(1-6) 30.0
	346-3-50				(1-6) 4.4	(1-6) 20.9
084	208/230-3-60	6	1 (0.746)	9.3	(1,2) 5.5 (3-6) 6.6	(1,2) 30.0 (3-6) 31.6
	460-3-60				(1,2) 2.8 (3-6) 3.3	(1,2) 30.0 (3-6) 31.6
	575-3-60				(1-6) 3.4	(1-6) 30.0
	380-3-60				(1-6) 3.9	(1-6) 20.9
	380/415-3-50				(1-6) 3.4	(1-6) 30.0
	346-3-50				(1-6) 4.4	(1-6) 20.9
094	208/230-3-60	6	1 (0.746)	9.4	(1,2) 5.5 (3-6) 6.6	(1,2) 30.0 (3-6) 31.6
	460-3-60				(1,2) 2.8 (3-6) 3.3	(1,2) 30.0 (3-6) 31.6
	575-3-60				(1-6) 3.4	(1-6) 30.0
	380-3-60				(1-6) 3.9	(1-6) 20.9
	380/415-3-50				(1-6) 3.4	(1-6) 30.0
	346-3-50				(1-6) 4.4	(1-6) 20.9
104	208/230-3-60	6	1 (0.746)	9.5	(1,2) 5.5 (3-6) 6.6	(1,2) 30.0 (3-6) 31.6
	460-3-60				(1,2) 2.8 (3-6) 3.3	(1,2) 30.0 (3-6) 31.6
	575-3-60				(1-6) 3.4	(1-6) 30.0
	380-3-60				(1-6) 3.9	(1-6) 20.9
	380/415-3-50				(1-6) 3.4	(1-6) 30.0
	346-3-50				(1-6) 4.4	(1-6) 20.9
<b>UNIT 38AH MODULE</b>						
124A 124B 134A	208/230-3-60	4	1 (0.746)	6.4	(1,2) 5.5 (3,4) 6.6	(1,2) 30.0 (3,4) 31.6
	460-3-60				(1,2) 2.8 (3,4) 3.3	(1,2) 30.0 (3,4) 31.6
	575-3-60				(1-4) 3.4	(1-4) 30.0
	380-3-60				(1-4) 3.9	(1-4) 20.9
	380/415-3-50				(1-4) 3.4	(1-4) 30.0
	346-3-50				(1-4) 4.4	(1-4) 20.9
134B	208/230-3-60	6	1 (0.746)	9.2	(1,2) 5.5 (3-6) 6.6	(1,2) 30.0 (3-6) 31.6
	460-3-60				(1,2) 2.8 (3-6) 3.3	(1,2) 30.0 (3-6) 31.6
	575-3-60				(1-6) 3.4	(1-6) 30.0
	380-3-60				(1-6) 3.9	(1-6) 20.9
	380/415-3-50				(1-6) 3.4	(1-6) 30.0
	346-3-50				(1-6) 4.4	(1-6) 20.9

LEGEND

FLA — Full Load Amps  
LRA — Locked Rotor Amps

\*Refers to condenser fans by position. See circled numbers on top views of units in Fig 1-6

NOTE: All fans are protected by a single circuit breaker



\*To control heating device and provide automatic indoor-fan operation on heating  
 †Jumper removed only when separate 24-v transformer power source is used to power the TSR-01 relay pack

**NOTES:**

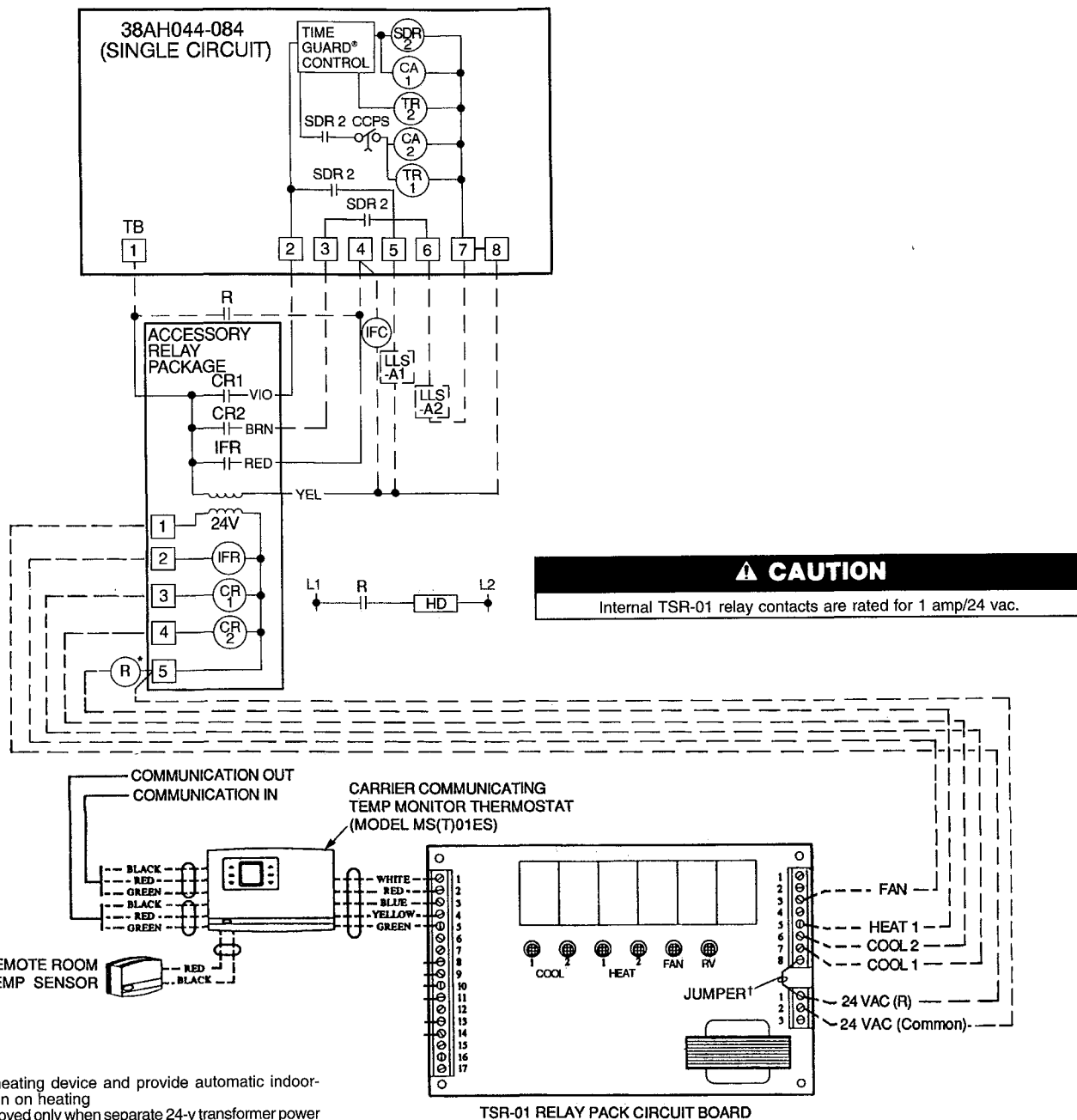
- Liquid line solenoid valve LLS-A is used for solenoid drop on circuit A. Liquid line solenoid valve LLS-B is used for solenoid drop for circuit B.
- Solenoid drop is a safety feature which prevents refrigerant migration to the compressor during the OFF cycle. It is recommended on all systems and required on systems where piping exceeds 75 ft (22.9 m) in length.
- The TSR-01 relay pack requires 10 va.
- Factory wiring is in accordance with NEC; field modifications or additions must be in compliance with all applicable codes.
- Wiring for field power supply must be rated 75 C minimum. Use copper, copper-clad aluminum, or aluminum conductors. Maximum incoming wire size for each terminal block is 500 kcmil.
- Terminal blocks TB3 and TB4 are for external field control connections. Control connections are to be class 1 wiring.

- Field-supplied components (IFC, LLS-A, and LLS-B) must have a maximum sealed coil rating of 30 va each (0.25 amp at 120 vac and 0.13 amp at 230 vac). Thermostats must have a minimum pilot duty rating of 300 va (2.5 amps at 120 vac and 1.3 amps at 230 vac).
- Replacement of factory wires must be with type 105 C wire or its equivalent.
- Field-supplied liquid line solenoid valves installed at the evaporator are required on all units.
- Units have 175 va of power available for field-installed accessories.
- To minimize voltage drop, the following wire sizes are recommended:

LENGTH — Ft (M)	INSULATED WIRE — AWG (35 C Minimum)
Up to 50 (15.2)	No 18
50-75 (15.2-22.9)	No 16
More Than 75 (22.9)	No 14

- LEGEND**
- AWG — American Wire Gage
  - C — Compressor Contactor
  - CR — Control Relay
  - HD — Heating Device
  - IFC — Indoor-Fan Contactor
  - IFR — Indoor-Fan Relay
  - kcmil — Thousand Circular Mills
  - LLS — Liquid Line Solenoid
  - NEC — National Electrical Code (U.S.A. Standard)
  - R — Heating Relay (field-supplied 24-v sealed coil, 10 va maximum rating)
  - RV — Reversing Valve
  - SDR — Solenoid Drop Relay
  - TB — Terminal Block
  - TR — Timer Relay
  - — — — — Factory Wiring
  - — — — — Field Wiring

**Fig. 20 — Field Wiring, One 2-Stage Thermostat — 38AH044-084 Dual-Circuit Units**



\*To control heating device and provide automatic indoor-fan operation on heating  
 †Jumper removed only when separate 24-v transformer power source is used to power the TSR-01 relay pack

**NOTES:**

- 1 Liquid line solenoid valves LLS-A1 and A2 are used for solenoid drops
- 2 Solenoid drop is a safety feature which prevents refrigerant migration to the compressor during the OFF cycle. It is recommended on all systems and required on systems where piping exceeds 75 ft (22.9 m) in length
- 3 The TSR-01 relay pack requires 10 va.
- 4 Factory wiring is in accordance with NEC; field modifications or additions must be in compliance with all applicable codes
5. Wiring for field power supply must be rated 75 C minimum. Use copper, copper-clad aluminum, or aluminum conductors. Maximum incoming wire size for each terminal block is 500 kcmil
- 6 Terminal blocks are for external field control connections. Control connections are to be class 1 wiring

- 7 Field-supplied components (IFC, LLS-A1, and LLS-A2) must have a maximum sealed coil rating of 30 va each (0.25 amp at 120 vac and 0.13 amp at 230 vac). Thermostats must have a minimum pilot duty rating of 300 va (2.5 amps at 120 vac and 1.3 amps at 230 vac)
- 8 Replacement of factory wires must be with type 105 C wire or its equivalent
9. Field-supplied liquid line solenoid valves installed at the evaporator are required on all units
- 10 Units have 175 va of power available for field-installed accessories
- 11 To minimize voltage drop, the following wire sizes are recommended:

LENGTH — Ft (M)	INSULATED WIRE — AWG (35 C Minimum)
Up to 50 (15.2)	No 18
50-75 (15.2-22.9)	No 16
More Than 75 (22.9)	No 14

- LEGEND**
- AWG — American Wire Gage
  - C — Compressor Contactor
  - CCPS — Capacity Control Pressure Switch
  - CR — Control Relay
  - HD — Heating Device
  - IFC — Indoor-Fan Contactor
  - IFR — Indoor-Fan Relay
  - kcmil — Thousand Circular Mills
  - LLS — Liquid Line Solenoid
  - NEC — National Electrical Code (U.S.A. Standard)
  - R — Heating Relay (field-supplied 24-v sealed coil, 10 va maximum rating)
  - RV — Reversing Valve
  - SDR — Solenoid Drop Relay
  - TB — Terminal Block
  - TR — Timer Relay
  - — Factory Wiring
  - - - - Field Wiring

**Fig. 21 — Field Wiring, One 2-Stage Thermostat — 38AH044-084 Optional Single-Circuit Units**

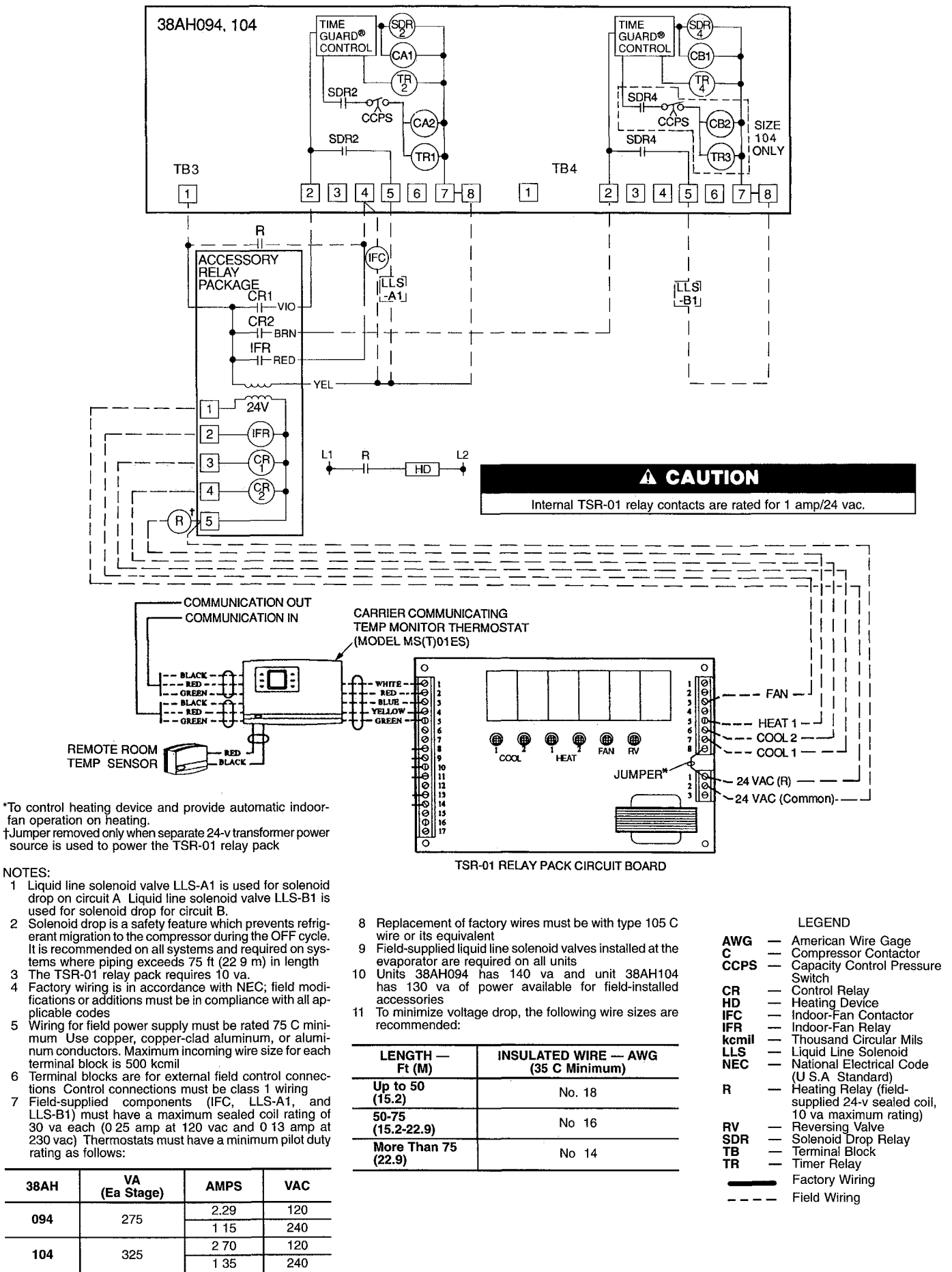
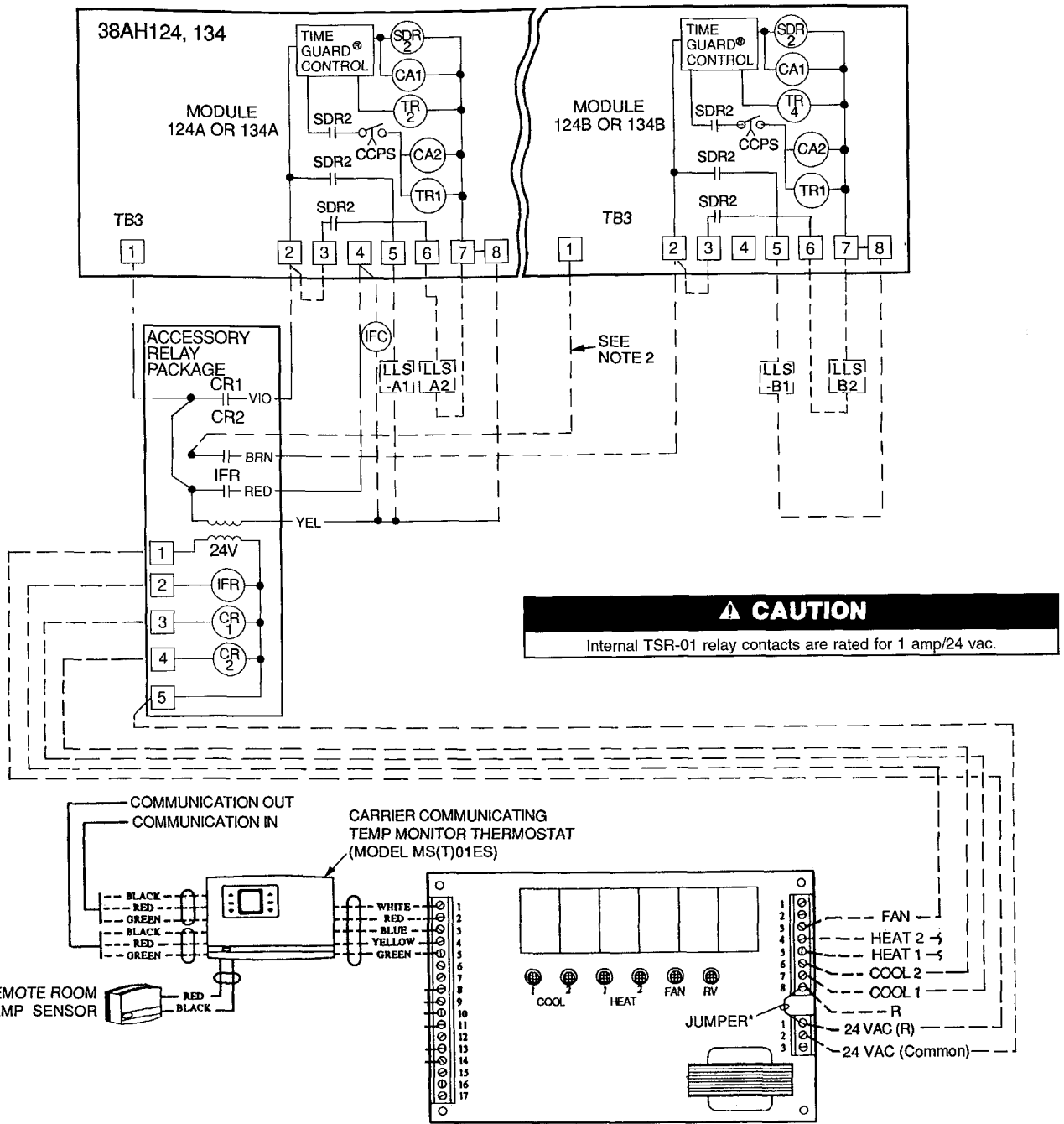


Fig. 22 — Field Wiring, One 2-Stage Thermostat — Units 38AH094 and 104



**⚠ CAUTION**  
Internal TSR-01 relay contacts are rated for 1 amp/24 vac.

\*Jumper removed only when separate 24-v transformer power source is used to power the TSR-01 relay pack

**NOTES:**

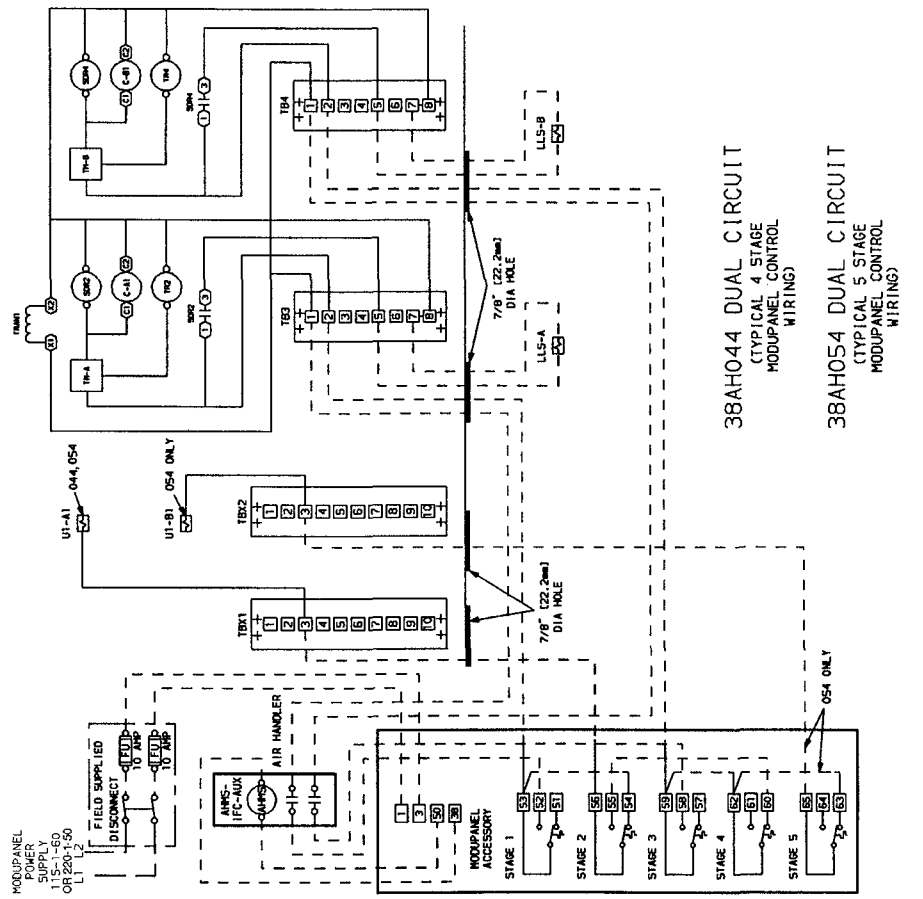
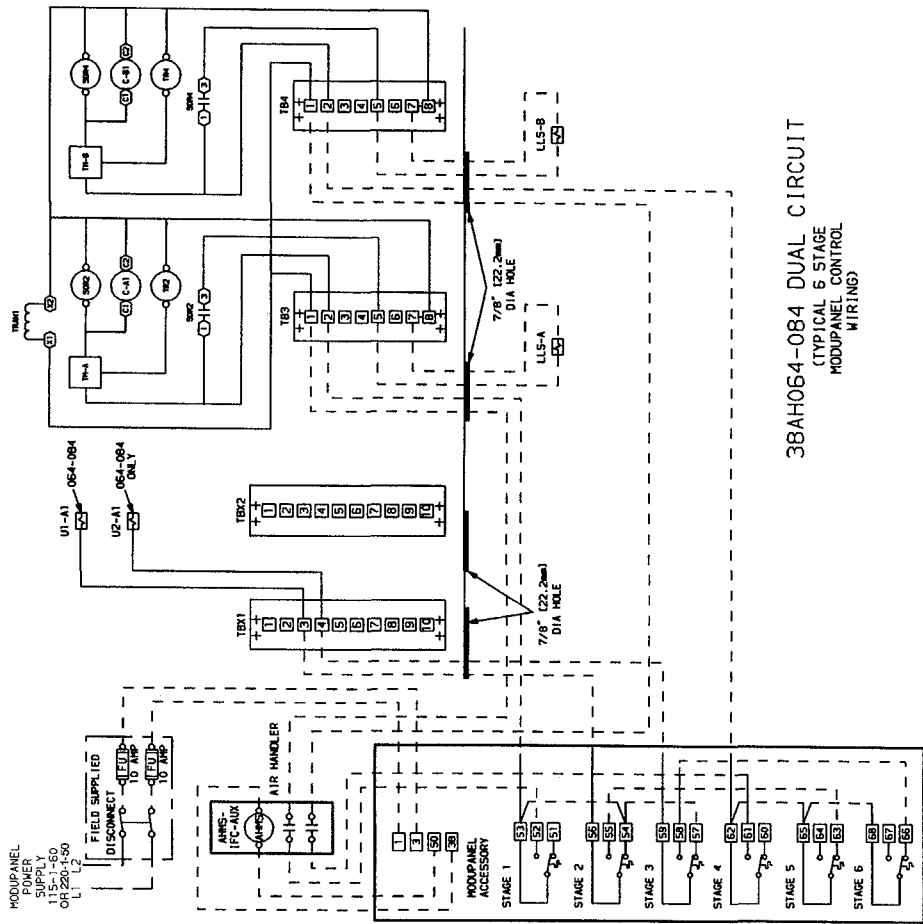
- Liquid line solenoid valves LLS-A1 and A2 are used for solenoid drop on Module 124A or 134A on circuit A. Liquid line solenoid valves LLS-B1 and B2 are used for solenoid drop for Module 124B or 134B. Solenoid drop is a safety feature which prevents refrigerant migration to the compressor during the OFF cycle. It is recommended on all systems and required on systems where piping exceeds 75 ft (22.9 m) in length.
- Disconnect black wire from CR2 terminal 6; cap loose end and secure. Connect new field-supplied wire from CR2 terminal 6 to TB3 terminal 1 on module 124B or 134B.
- The TSR-01 relay pack requires 10 va.
- Factory wiring is in accordance with NEC; field modifications or additions must be in compliance with all applicable codes.
- Wiring for field power supply must be rated 75 C minimum. Use copper, copper-clad aluminum, or aluminum conductors. Maximum incoming wire size for each terminal block is 500 kcmil.
- Terminal blocks (TB3) are for external field control connections. Control connections must be class 1 wiring.

- Field-supplied components (IFC, LLS-A1,A2, and LLS-B1,B2) must have a maximum sealed coil rating of 30 va each (0.25 amp at 120 vac and 0.13 amp at 230 vac). Thermostats must have a minimum pilot duty rating of 300 va (2.5 amps at 120 vac).
- Replacement of factory wires must be with type 105 C wire or its equivalent.
- Field-supplied liquid line solenoid valves installed at the evaporator are required on all units.
- Units have 175 va of power available for field-installed accessories.
- To minimize voltage drop, the following wire sizes are recommended:

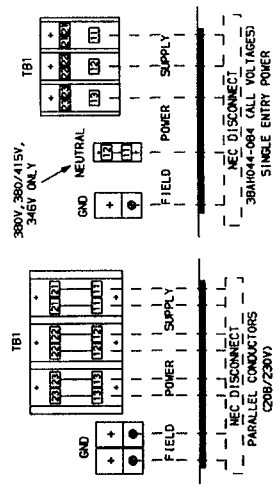
LENGTH — Ft (M)	INSULATED WIRE — AWG (35 C Minimum)
Up to 50 (15.2)	No 18
50-75 (15.2-22.9)	No 16
More Than 75 (22.9)	No 14

- LEGEND**
- AWG — American Wire Gage
  - C — Compressor Contactor
  - CCPS — Capacity Control Pressure Switch
  - CR — Control Relay
  - HD — Heating Device
  - IFC — Indoor-Fan Contactor
  - IFR — Indoor-Fan Relay
  - kcmil — Thousand Circular Mills
  - LLS — Liquid Line Solenoid
  - NEC — National Electrical Code (U.S.A. Standard)
  - R — Heating Relay (field-supplied 24-v sealed coil, 10 va maximum rating)
  - RV — Reversing Valve
  - SDR — Solenoid Drop Relay
  - TB — Terminal Block
  - TR — Timer Relay
  - Factory Wiring
  - - - Field Wiring

**Fig. 23 — Field Wiring, One 2-Stage Thermostat — Units 38AH124 and 134**

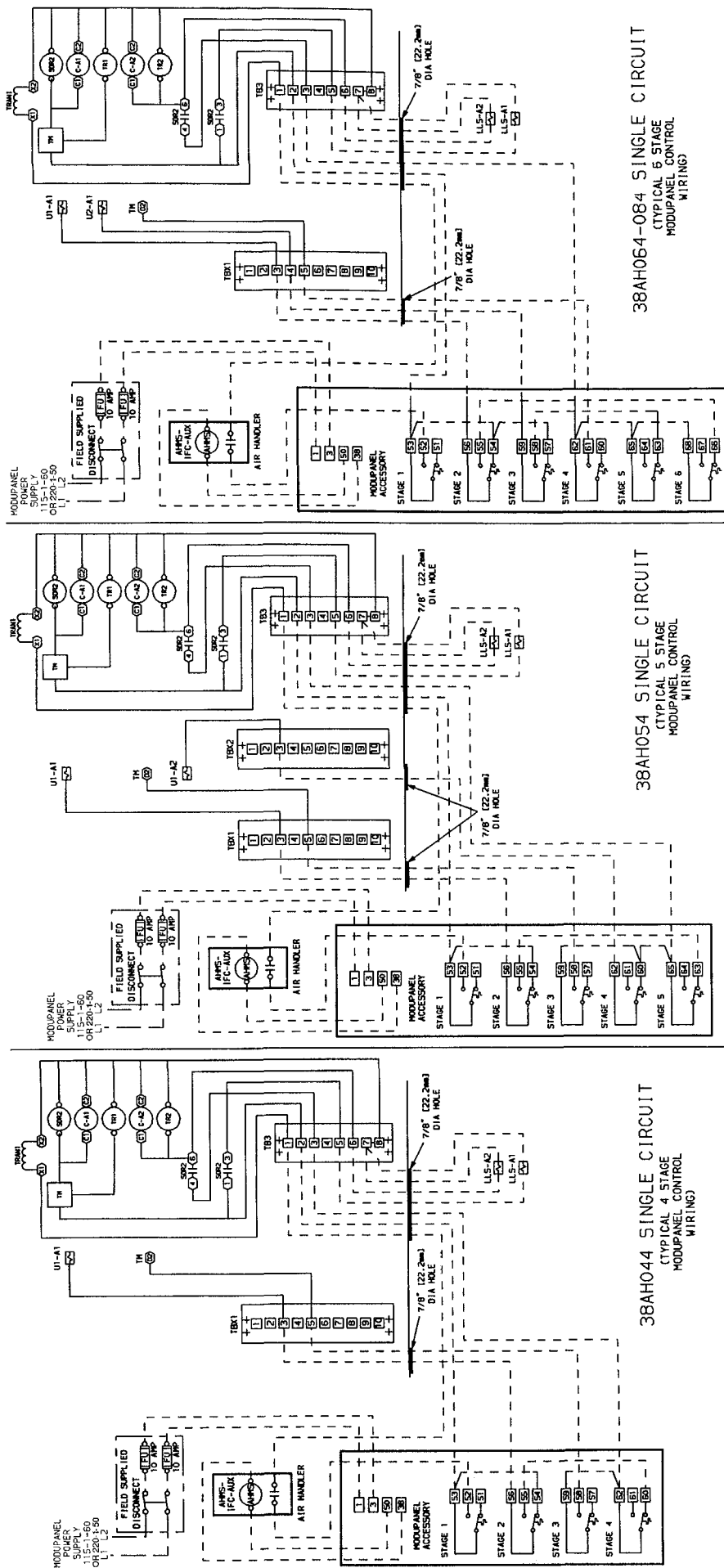


- NOTES:**
1. Factory wiring is in accordance with NEC; field modifications or additions must be in compliance with all applicable codes.
  2. Wiring for field power supply must be rated 75 C minimum. Use copper, copper-clad aluminum, or aluminum conductors. Maximum incoming wire size for each terminal block is 500 kcmil.
  3. Terminal blocks TB3 and TB4 are for external field control connections. Control connections are to be class 1 wiring.
  4. Field-supplied components (IFC, LLS-A, and LLS-B) must have a maximum sealed coil rating of 30 va each (25 amp at 120 vac, 13 amp at 230 vac). AHMS IFC-AUX must have a minimum pilot duty rating of 200 va (1.7 amps at 120 vac, 0.9 amps at 230 vac) each.
  5. Replacement of factory wires must be with type 105 C wire or its equivalent.
  6. Field-supplied liquid line solenoid valves installed at the evaporator are required on all units.
  7. Units have 175 va of power available for field-installed accessories.

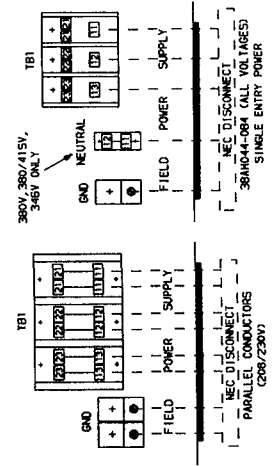


**Fig. 24 — Field Wiring, Single ModuPanel™ Control, 38AH044-084 Dual-Circuit Units**

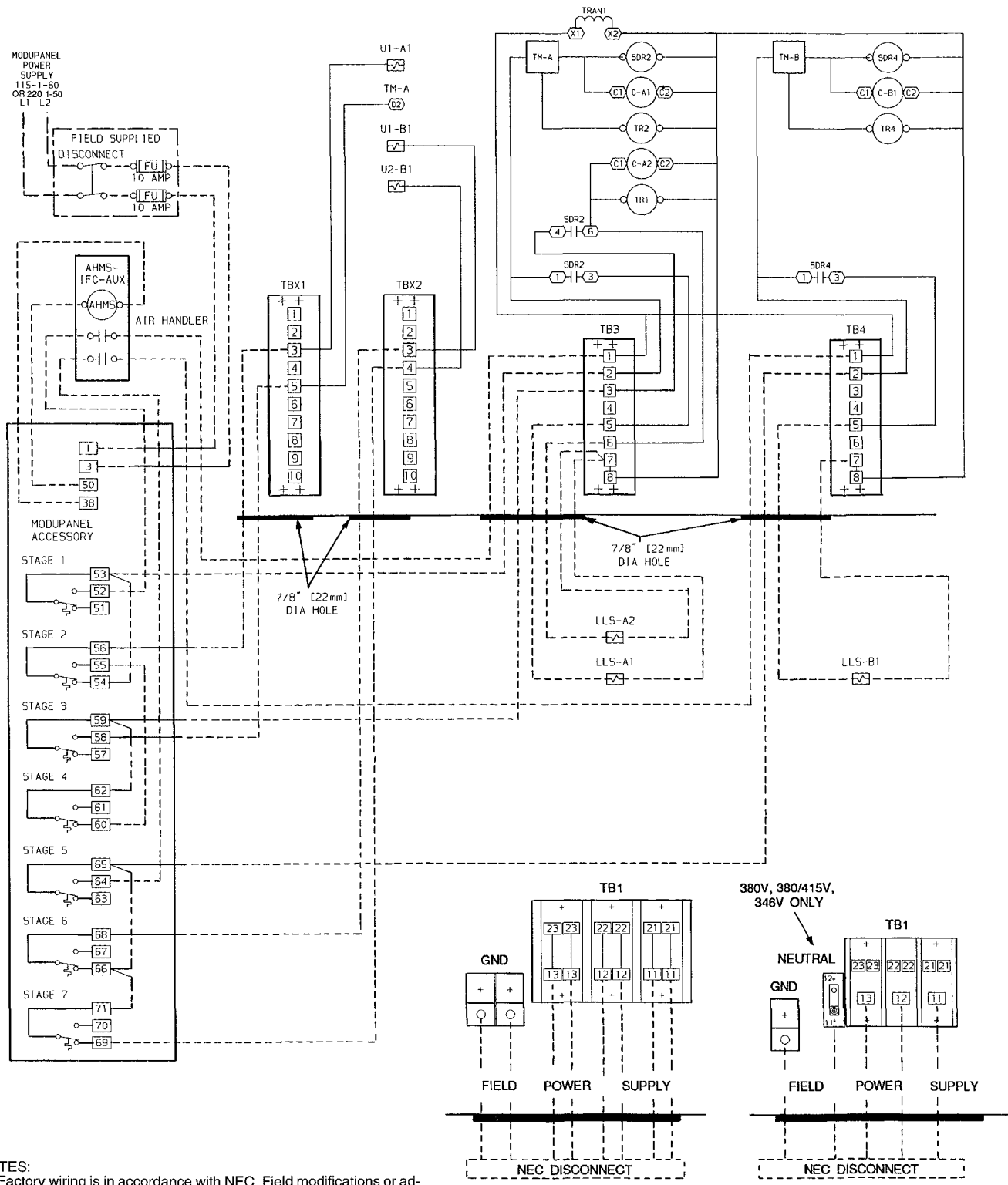




- NOTES:**
1. Factory wiring is in accordance with NEC; field modifications or additions must be in compliance with all applicable codes.
  2. Wiring for field power supply must be rated 75 C minimum. Use copper, copper-clad aluminum, or aluminum conductors. Maximum incoming wire size for each terminal block is 500 kcmil.
  3. Terminal blocks TB3, TBX1, and TBX2 are for external field control connections. Control connections are to be class 1 wiring.
  4. Field-supplied components (IFC, LLS-A1, and LLS-A2) must have a maximum sealed coil rating of 30 va each (0.25 amp at 120 vac, 13 amp at 230 vac). AHMS IFC-AUX must have minimum pilot duty rating of 400 va each (3.4 amps at 120 vac, 1.8 amps at 230 vac) each.
  5. Replacement of factory wires must be with type 105 C wire or its equivalent.
  6. Field-supplied liquid line solenoid valves installed at the evaporator are required on all units.
  7. Control has 175 va of power available for field-installed accessories.

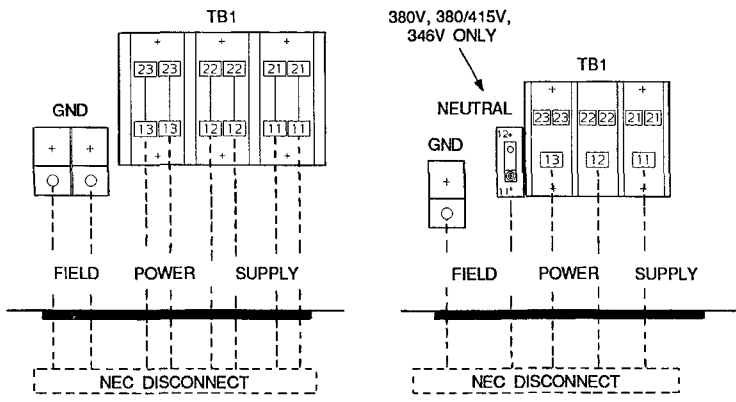


**Fig. 25 — Field Wiring, Single ModuPanel™ Control, 38AH044-084 Optional Single-Circuit Units**



**NOTES:**

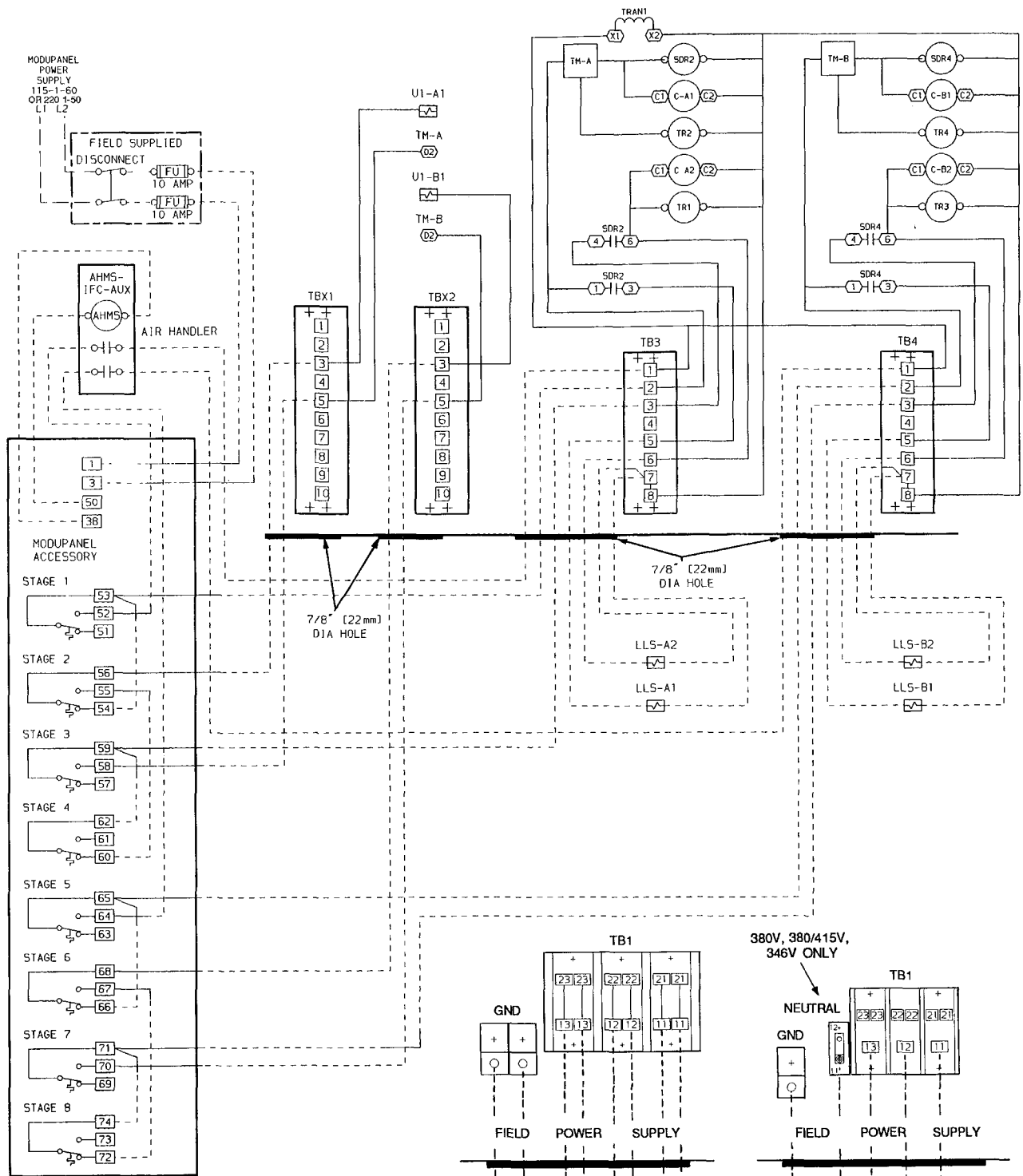
- 1 Factory wiring is in accordance with NEC. Field modifications or additions must be in compliance with all applicable codes.
- 2 Wiring for field power supply must be rated 75 C minimum. Use copper, copper-clad aluminum, or aluminum conductors. Maximum incoming wire size for each terminal block is 500 kcmil.
- 3 Terminal blocks TB3, TB4, TBX1, and TBX2 are for external field control connections. Control connections are to be class 1 wiring.
- 4 Field-supplied components (IFC, LLS-A1, A2, B1, and B2) must have a maximum sealed coil rating of 30 va each (0.25 amp at 120 vac, 0.13 amp at 230 vac). AHMS IFC-AUX contact must have minimum pilot duty rating of 3/25 va each (2.7 amps at 120 vac, 1.4 amps at 230 vac).
- 5 Replacement of factory wires must be with type 105 C wire or its equivalent.
- 6 Field-supplied liquid line solenoid valves installed at the evaporator are required on all units.
- 7 Control has 25 va of power available for field-installed accessories.



**LEGEND**

- |   |   |
|---|---|
| <b>AHMS</b> — Air Handler Motor Starter                 | <b>SDR</b> — Solenoid Drop Relay                          |
| <b>AUX</b> — Auxiliary                                  | <b>TB</b> — Terminal Block                                |
| <b>C</b> — Compressor Contactor                         | <b>TBX</b> — Terminal Block for Variable Air Volume Units |
| <b>FU</b> — Fuse  | <b>TM</b> — Timer Motor                                   |
| <b>GND</b> — Equipment Ground                           | <b>TR</b> — Timer Relay                                   |
| <b>IFC</b> — Indoor Fan Control                         | <b>TRAN</b> — Transformer                                 |
| <b>kcmil</b> — Thousand Circular Mills                  | <b>U</b> — Unloader Solenoid                              |
| <b>LLS</b> — Liquid Line Solenoid                       | <b>—</b> Factory Wiring                                   |
| <b>NEC</b> — National Electrical Code (U.S.A. Standard) | <b>- - -</b> Field Wiring                                 |

**Fig. 26 — Field Wiring, Single ModuPanel™ Control, Unit 38AH094**

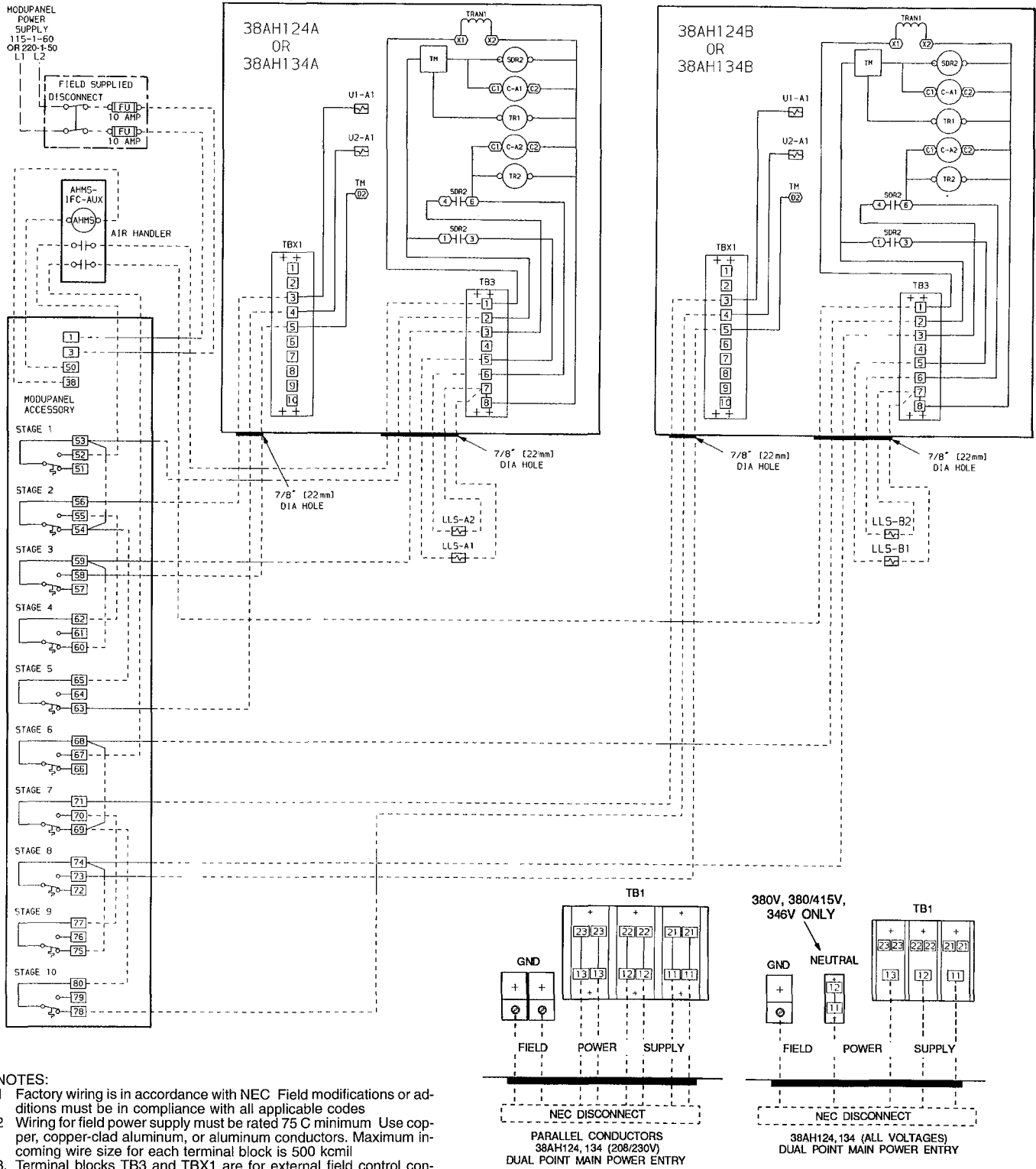


**NOTES:**

- 1 Factory wiring is in accordance with NEC. Field modifications or additions must be in compliance with all applicable codes.
- 2 Wiring for field power supply must be rated 75 C minimum. Use copper, copper-clad aluminum, or aluminum conductors. Maximum incoming wire size for each terminal block is 500 kcmil.
- 3 Terminal blocks TB3, TB4, TBX1, and TBX2 are for external field control connections. Control connections are to be class 1 wiring.
- 4 Field-supplied components (IFC, LLS-A1, A2, B1, and B2) must have a maximum sealed coil rating of 30 va each (0.25 amp at 120 vac, 0.13 amp at 230 vac). AHMS IFC-AUX contact must have minimum pilot duty rating of 375 va each (3.1 amps at 120 vac, 1.6 amps at 230 vac).
- 5 Replacement of factory wires must be with type 105 C wire or its equivalent.
- 6 Field-supplied liquid line solenoid valves installed at the evaporator are required on all units.
- 7 Control has 35 va of power available for field-installed accessories.

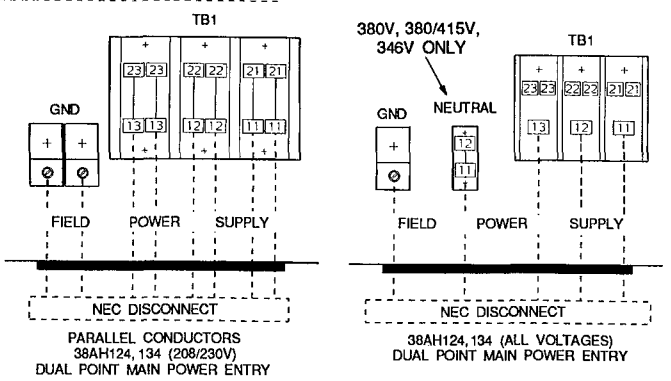
**Fig. 27 — Field Wiring, Single ModuPanel™ Control, Unit 38AH104**

<b>AHMS</b> — Air Handler Motor Starter	<b>SDR</b> — Solenoid Drop Relay
<b>AUX</b> — Auxiliary	<b>TB</b> — Terminal Block
<b>C</b> — Compressor Contactor	<b>TBX</b> — Terminal Block for Variable Air Volume Units
<b>FU</b> — Fuse	<b>TM</b> — Timer Motor
<b>GND</b> — Equipment Ground	<b>TR</b> — Timer Relay
<b>IFC</b> — Indoor Fan Control	<b>TRAN</b> — Transformer
<b>kcmil</b> — Thousand Circular Mills	<b>U</b> — Unloader Solenoid
<b>LLS</b> — Liquid Line Solenoid	<b>---</b> — Factory Wiring
<b>NEC</b> — National Electrical Code (U S A Standard)	<b>- - -</b> — Field Wiring



**NOTES:**

1. Factory wiring is in accordance with NEC. Field modifications or additions must be in compliance with all applicable codes.
2. Wiring for field power supply must be rated 75 C minimum. Use copper, copper-clad aluminum, or aluminum conductors. Maximum incoming wire size for each terminal block is 500 kcmil.
3. Terminal blocks TB3 and TBX1 are for external field control connections. Control connections are to be class 1 wiring.
4. Field-supplied components (IFC, LLS-A1 and A2) must have a maximum sealed coil rating of 30 va each (0.25 amp at 120 vac, 0.13 amp at 230 vac). AHMS IFC-AUX contact must have minimum pilot duty rating of 400 va each (3.4 amps at 120 vac, 1.8 amps at 230 vac).
5. Replacement of factory wires must be with type 105 C wire or its equivalent.
6. Field-supplied liquid line solenoid valves installed at the evaporator are required on all units.
7. Units have 175 va of power available for field-installed accessories.



**LEGEND**

- |   |   |
|---|---|
| <b>AHMS</b> — Air Handler Motor Starter                 | <b>SDR</b> — Solenoid Drop Relay                          |
| <b>AUX</b> — Auxiliary                                  | <b>TB</b> — Terminal Block                                |
| <b>C</b> — Compressor Contactor                         | <b>TBX</b> — Terminal Block for Variable Air Volume Units |
| <b>FU</b> — Fuse  | <b>TM</b> — Timer Motor                                   |
| <b>GND</b> — Equipment Ground                           | <b>TR</b> — Timer Relay                                   |
| <b>IFC</b> — Indoor Fan Control                         | <b>TRAN</b> — Transformer                                 |
| <b>kcmil</b> — Thousand Circular Mils                   | <b>U</b> — Unloader Solenoid                              |
| <b>LLS</b> — Liquid Line Solenoid                       | <b>—</b> Factory Wiring                                   |
| <b>NEC</b> — National Electrical Code (U.S.A. Standard) | <b>- - -</b> Field Wiring                                 |

**Fig. 28 — Field Wiring, Single ModuPanel™ Control, Units 38AH124 and 134**

**Table 15 — Main Power Connection and Control Circuit Wiring**

MAIN POWER CONNECTION				CONTROL CIRCUIT	
Electrical Characteristics (V-Ph-Hz)	Qty Terminal Blocks	Qty Parallel Conductors*	Max Wire Size (kcmil)	Control Power (V)	Safety Circuit (V)
208/230-3-60	1	6	500	115†	24
460-3-60 575-3-60	1	3	500	115†	24
230-3-50	1	6	500	230	24
380-3-60 380/415-3-50	1	3	500	230	24
346-3-50	1	3	500	200	24

**LEGEND**

**kcmil** — Thousand Circular Mills

\*Conductors are from the safety disconnect.

†Control power is accomplished with a step-down transformer where primary voltage is field voltage

**Step 5 — Install Accessories**

**LOW-AMBIENT OPERATION**

Units 38AH044-084, 124, and 134 — If operating temperatures below 55 F (13 C) are expected, Motormaster® III fan motor control is recommended. Refer to separate installation instructions for low-ambient operation guidelines.

Units 38AH094 and 104 — If operating temperatures below 45 F (7 C) are expected, Motormaster III fan motor control is recommended. Refer to separate installation instructions for low-ambient operation guidelines.

**MISCELLANEOUS ACCESSORIES** — For applications requiring special accessories, the following packages are available: condenser coil hail guard package, gage panel, unloader package, unloader conversion kits, sound reduction package, condenser coil protective grilles, compressor security grilles, ModuPanel™ control, and thermostat transformer relay package.

**PRE-START-UP**

**IMPORTANT:** Before beginning Pre-Start-Up or Start-Up, review Start-Up Checklist at the back of this publication. The Checklist assures proper start-up of a unit and provides a record of unit condition, application requirements, system information, and operation at initial start-up.

Do not attempt to start the air-conditioning system until following checks have been completed.

**System Check**

1. Check all system components, including the air-handling equipment. Consult manufacturer's instructions. If the unit has field-installed accessories, be sure all are properly installed and wired correctly. Refer to unit wiring diagrams.
2. Backseat (open) compressor suction and discharge shut-off valves. Close valves one turn to allow refrigerant pressure to reach the test gages.
3. Open liquid line service valves.
4. Check tightness of all electrical connections.

5. Oil should be visible in the compressor sight glasses. See Fig. 29. An acceptable oil level in the compressor is from 1/8 to 1/3 of sight glass. Adjust the oil level as required. No oil should be removed unless the crankcase heater has been energized for at least 24 hours. See Start-Up section on page 38, Preliminary Oil Charge, for Carrier-approved oils.
6. Electrical power source must agree with unit nameplate.

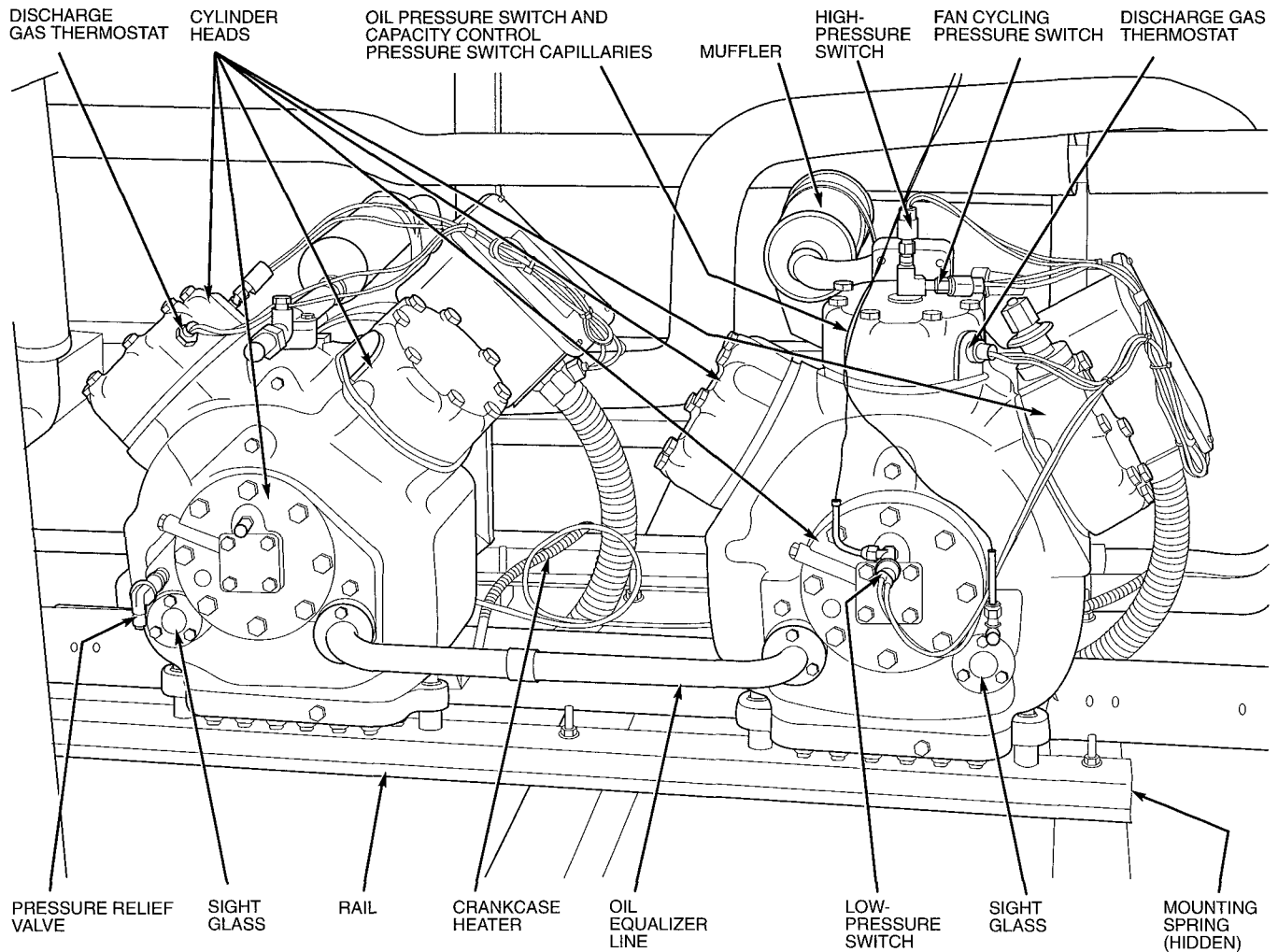
**▲ CAUTION**

Crankcase heaters on all units are wired into the control circuit, so they are always operable as long as the main power supply disconnect is on (closed), even if any safety device is open. Compressor heaters must be on for 24 hours prior to the start-up of any compressor.

7. Crankcase heaters must be firmly locked into compressors, and must be on for 24 hours prior to start-up.
8. Fan motors are 3-phase. Check rotation of fans during first start-up check. Fan rotation is clockwise as viewed from top of unit. If fan is not turning clockwise, reverse 2 of the power wires.
9. Check compressor suspension. On units 38AH044-084, 124, and 134, snubber washers (for noise suppression) can be moved with finger pressure. On units 38AH094 and 104, rails allow compressors to float freely on compressor rail springs.
10. On 38AH074,084 single-circuit units and Module 38AH134B, ensure that the packaging block located between the oil equalization tube and the compressor cross-brace has been removed.

**START-UP**

Compressor crankcase heaters must be on for 24 hours before start-up. To energize the crankcase heaters, set the space thermostat above the ambient so there will be no demand for cooling. Close the field disconnect and turn on the fan circuit breakers. Leave the compressor circuit breakers off/open. The crankcase heaters are now energized.



NOTE: Units 38AH044-084 and 38AH124, 134 compressors are pan mounted. Units 38AH094 and 104 compressors are mounted on rails.

**Fig. 29 — 06E Compressors, Typical**

### Preliminary Checks

1. Ensure that compressor service valves are backseated.
2. Verify that each compressor on units 38AH044-084, 124, and 134 floats freely on its mounting springs. Verify that each compressor on units 38AH094 and 104 floats freely on its rails.
3. Check that electric power supply agrees with unit nameplate data.
4. Verify that compressor crankcase heaters are securely in place.
5. Check that compressor crankcase heaters have been on at least 24 hours.
6. Note that compressor oil level is visible in the sight glass.
7. Recheck for leaks using same procedure as previously outlined in Step 3 — Make Refrigerant Piping Connections, page 13.
8. If any leaks are detected, evacuate and dehydrate as previously outlined in Step 3 — Make Refrigerant Piping Connections, page 13.

**Preliminary Oil Charge** — Each compressor is factory charged with oil (see Table 3A, 3B, 4A, or 4B). When oil is checked at start-up, it may be necessary to add or remove oil to bring it to the proper level. One recommended oil level adjustment method is as follows:

**ADD OIL** — Close suction shutoff valve and pump down crankcase to 2 psig (14 kPa). (Low-pressure cutout must be jumped.) Wait a few minutes and repeat until pressure remains steady at 2 psig (14 kPa). Remove oil fill plug above the oil level sight glass, add oil through plug hole, and replace plug. Run compressor for 20 minutes and check oil level.

**IMPORTANT:** For units with 2 compressors per refrigeration circuit, *both compressors must be running* to adjust the oil level. Two oil level equalizer lines between compressors distribute the oil to each compressor.

NOTE: Use only Carrier approved compressor oil. Approved sources are: Petroleum Specialties Inc. (Cryol 150A), Texaco, Inc. (Capella WF-32-150), and Witco Chemical Co (Suniso 3GS). Do not reuse oil that has been drained out, or oil that has been exposed to atmosphere.

**REMOVE OIL** — Pump down compressor to 2 psig (14 kPag). Loosen the 1/4-in. (6.4-mm) pipe plug at the compressor base and allow the oil to seep out past the threads of the plug.

NOTE: The crankcase will be slightly pressurized. Do not remove the plug, or the entire oil charge will be lost.

Small amounts of oil can be removed through the oil pump discharge connection while the compressor is running.

**Preliminary Charge** — Refer to GTAC II (General Training Air Conditioning), Module 5, Charging, Recovery, Recycling, and Reclamation for charging procedures. Using the liquid charging method and charging by weight procedure, charge each circuit with the amount of R-22 listed in Table 3A, 3B, 4A, or 4B.

**▲ CAUTION**

Never charge liquid into the low-pressure side of system. Do not overcharge. During charging or removal of refrigerant, be sure indoor-fan system is operating.

**Start Unit** — The field disconnect is closed, the fan circuit breaker is closed, and the space thermostats are set above ambient so that there is no demand for cooling. Only the crankcase heaters are energized.

Close the compressor circuit breakers and then reset both space thermostats below ambient so that a call for stage one cooling is ensured. *Lead refrigeration circuit thermostat TC1 must be set to call for cooling at a lower temperature than lag refrigeration circuit thermostat TC2.* See Table 15 for lead/lag circuits on all units. Now set TC2 for cooling.

NOTE: Do not use circuit breakers to start and stop the compressor except in an emergency.

**38AH044-084 DUAL-CIRCUIT UNITS** — Start-up of lead compressor A1 (Table 16) will be delayed from 12 seconds to 5½ minutes from the time the call for cooling is initiated by TC1. After the lead compressor starts, close the TC2 thermostat to start lag circuit compressor B1. Compressor B1 will start a minimum of 60 seconds after thermostat TC2 is closed.

**38AH044-084 OPTIONAL SINGLE CIRCUIT UNITS** — Start-up of lead compressor A1 (Table 16) is delayed from 12 seconds to 5½ minutes from the time the call for cooling is initiated by TC1. Closure of TC2 will actuate LLS-A2. Lag compressor A2 is controlled by D-D2 timer contacts and capacity control pressure switches (CCPSs) which monitor compressor suction pressure. The lag compressor starts approximately 2½ minutes after the lead compressor starts if the suction pressure is above the CCPS set point.

**38AH094,104 UNITS** — Start-up of lead circuit A, compressor A1 (Table 16) is delayed from 12 seconds to 5½ minutes from the time the call for cooling is initiated. After lead circuit A, compressor A1 starts, close refrigeration circuit thermostat TC2 to start lag circuit B, lead compressor B1. Start-up of compressor B1 is delayed from 12 seconds to 5½ minutes. (Circuit B of unit 38AH094 has only one compressor.)

Each circuit's lead compressor start-up is controlled by the unit control timer. The circuit's lag compressor start-up is controlled by the D-D2 timer contacts and capacity

control pressure switches (CCPSs) which monitor compressor suction pressure. The circuit's lag compressor will start approximately 2½ minutes after a call for cooling if compressor pressure is above CCPS set point.

**38AH124,134 UNITS** — Start-up of the lead circuit (Module 124A or 134A) lead compressor A1 (Table 16) is delayed from 12 seconds to 5½ minutes from the time the call for cooling is initiated by TC1. Lag compressor A2 is controlled by D-D2 timer contacts and capacity control pressure switches (CCPSs) which monitor compressor suction pressure. The lag compressor starts approximately 2½ minutes after the lead compressor starts if the suction pressure is above the CCPS set point.

After the lead circuit (Module 124A or 134A) lead compressor A1 (Table 16) starts, close the TC2 thermostat to start the lag circuit (Module 124B or 134B) lead compressor (A1). Lag circuit compressor A1 start-up is delayed from 12 seconds to 5½ minutes from the time the call for cooling is initiated by TC2. Lag compressor A2 is controlled by D-D2 timer contacts and CCPSs which monitor compressor suction pressure. Lag compressor A2 starts approximately 2½ minutes after lead compressor A1 starts if the suction pressure is above the CCPS set point.

**Adjust Refrigerant Charge**

**▲ CAUTION**

Never charge liquid into the low-pressure side of system. Do not overcharge. During charging or removal of refrigerant, be sure indoor-fan system is operating.

*With all fans operating, and all compressors on the circuit being serviced operating at full capacity, adjust the refrigerant charge in accordance with the unit charging charts located on the inside of the control box doors and in Fig. 30-43. Charge vapor into compressor low-side service port located above oil pump crankshaft housing. Measure pressure at the liquid line service valve, making sure a Schrader depressor is used if required. Also, measure liquid line temperature as close to the liquid service valve as possible. Add charge until the pressure and temperature conditions of the charging chart curve are met. If liquid pressure and temperature point fall above curve, add charge. If liquid pressure and temperature point fall below curve, reduce the charge until the conditions match the curve.*

If the sight glass at location A (Fig. 11 and 12) is cloudy, check refrigerant charge again. *Ensure all fans and compressors on the circuit being serviced are operating.* Also ensure maximum allowable liquid lift has not been exceeded.

If the sight glass at location A is clear and the sight glass at location B is cloudy, a restriction exists in the line between the 2 sight glasses. Check for a plugged filter drier or partially open solenoid valve. Replace or repair, as needed.

**Table 16 — Index of Lead/Lag Circuits and Compressors**

UNIT 38AH	044-084 STD	044-084 OPT	094	104	124	134
<b>LEAD CIRCUIT</b>	A	A	A	A	Module 124A	Module 134A
<b>Compressor, Lead Compressor; Lag</b>	A1 *	A1 A2	A1 A2	A1 A2	A1 A2	A1 A2
<b>LAG CIRCUIT</b>	B	†	B	B	Module 124B	Module 134B
<b>Compressor, Lead Compressor; Lag</b>	B1 *		B1 *	B1 B2	A1 A2	A1 A2

**LEGEND**

OPT — Optional Single-Circuit Units

STD — Standard Dual-Circuit Units

\*Circuit has only one compressor

†Units have only one circuit

**Check Compressor Oil Level** — After adjusting the refrigerant charge, allow each circuit to run fully loaded for 20 minutes. Running oil level should be  $\frac{1}{8}$  to  $\frac{1}{3}$  up on the sight glass. Stop the compressors at the field power supply disconnect and check the crankcase oil level. Add oil only if necessary to bring the oil into view in the sight glass. If oil is added, run the circuit for an additional 10 minutes, then stop and check oil level. If the level remains low, check the piping system for proper design for oil return; also, check the system for leaks.

If the initial check shows too much oil (too high in the sight glass) remove oil to proper level. See Preliminary Oil Charge for proper procedure for adding and removing oil.

When the above checks are complete, repeat the procedure with the unit operating at minimum load conditions.

**UNITS 38AH044-084,124, AND 134** — For this minimum load check, run the lead compressor of each refrigeration circuit fully unloaded with the lag compressor not operating.

Unload the compressor(s) by turning the control set point adjustment nut counterclockwise until the adjustment nut stops. The unloader is now at 0 psig (0 kPag) set point. If

electrically actuated unloaders are installed, energize the solenoid to unload the compressor. Recheck the compressor oil level as described in Check Compressor Oil Level above.

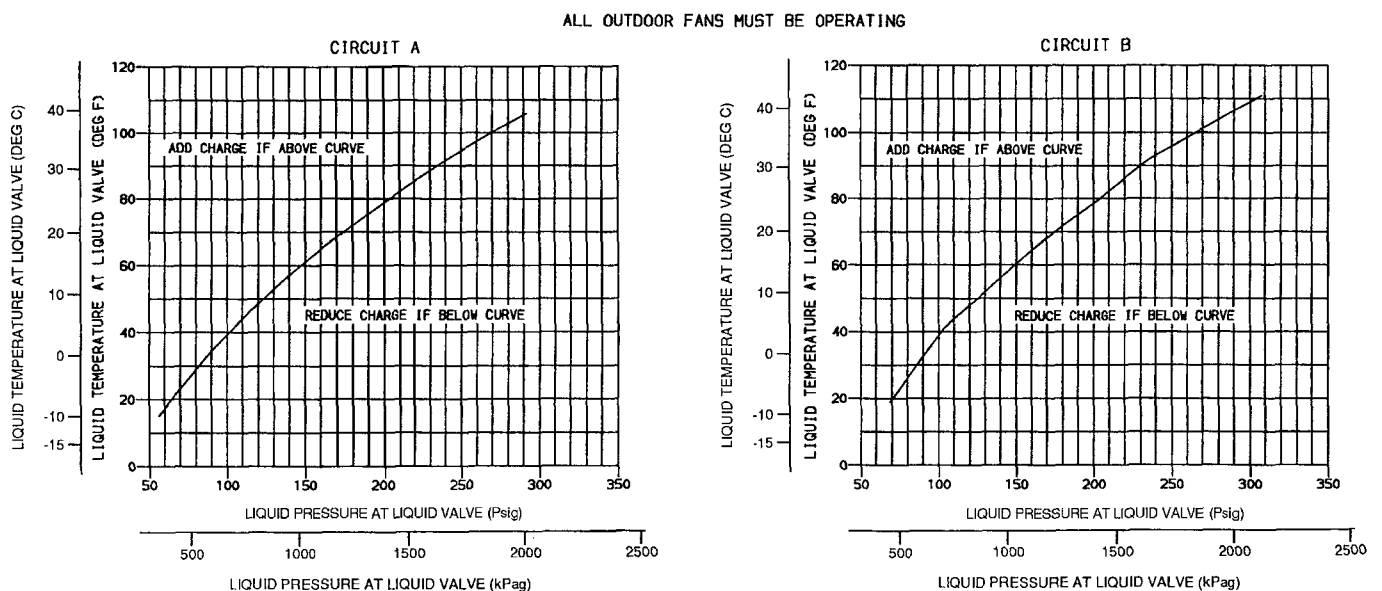
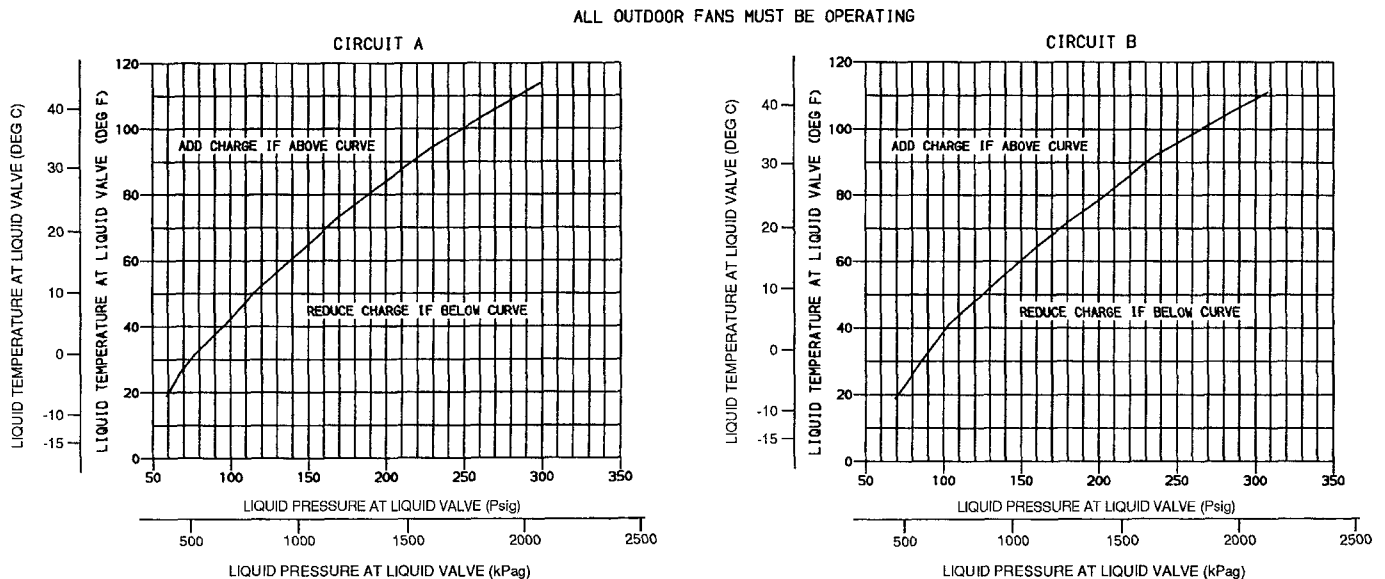
Return unloader to original setting after checks are complete.

**UNITS 38AH094,104** — For this minimum load check, the lead compressor (A1, B1) of each refrigeration circuit is unloaded. See Table 15. The lag compressor (A2, B2 [38AH104 only]) of each refrigeration circuit must not be operating.

Unload the compressor(s) by turning the control set point adjustment nut counterclockwise until the adjustment nut stops. The unloader is now at 0 psig (0 kPag) set point. If electrically actuated unloaders are installed, energize the solenoid to unload the compressor.

Return unloader to original setting after checks are complete.

**Final Checks** — Ensure all safety controls are operating, control panel covers are on, and the service panels are in place.





ALL OUTDOOR FANS MUST BE OPERATING

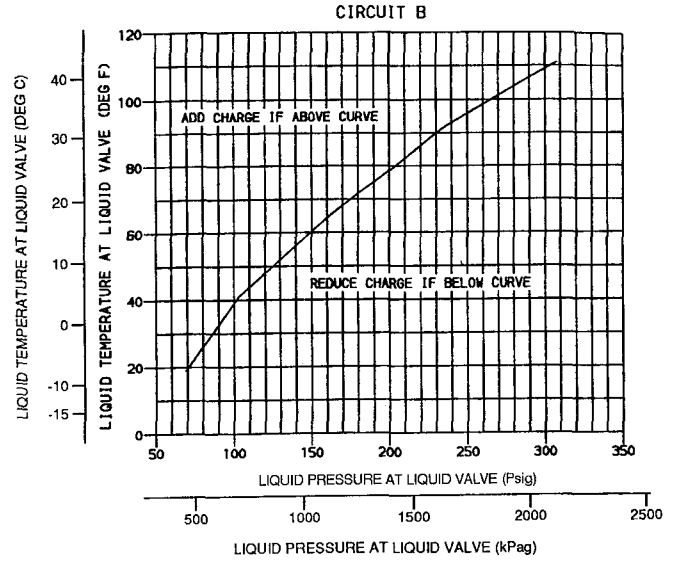
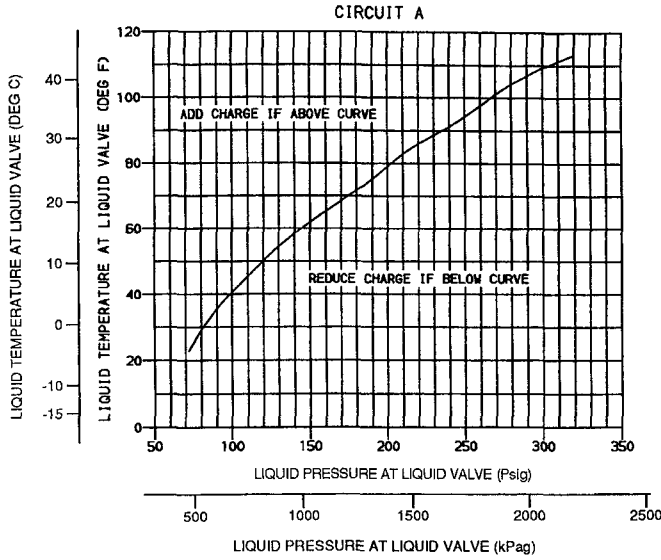


Fig. 32 — Charging Chart — Unit 38AH064; 50/60 Hz — Dual Circuit

ALL OUTDOOR FANS MUST BE OPERATING

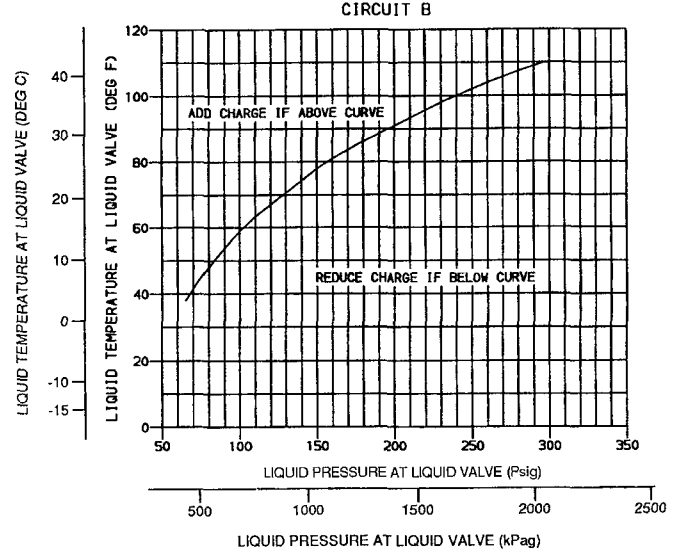
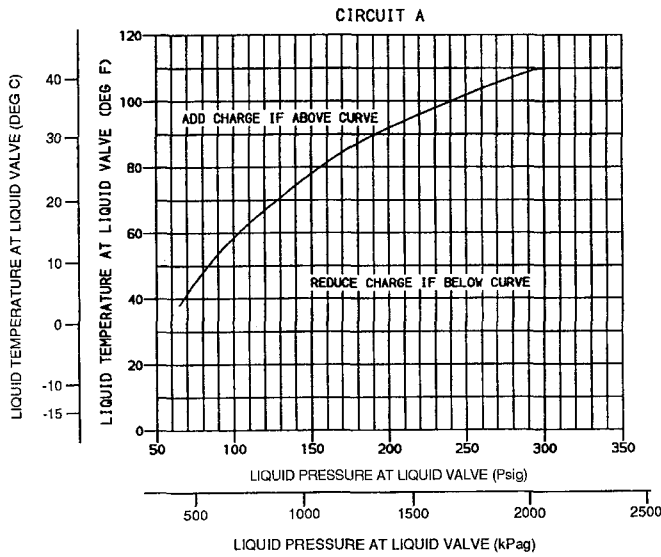


Fig. 33 — Charging Chart — Unit 38AH074; 50/60 Hz — Dual Circuit

ALL OUTDOOR FANS MUST BE OPERATING

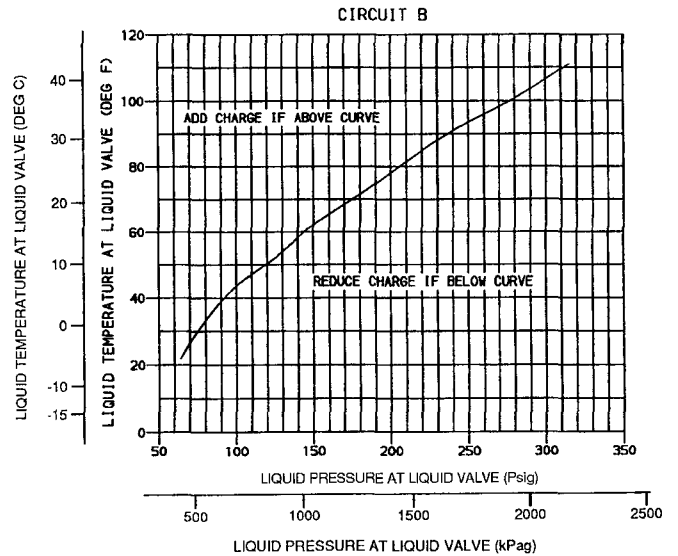
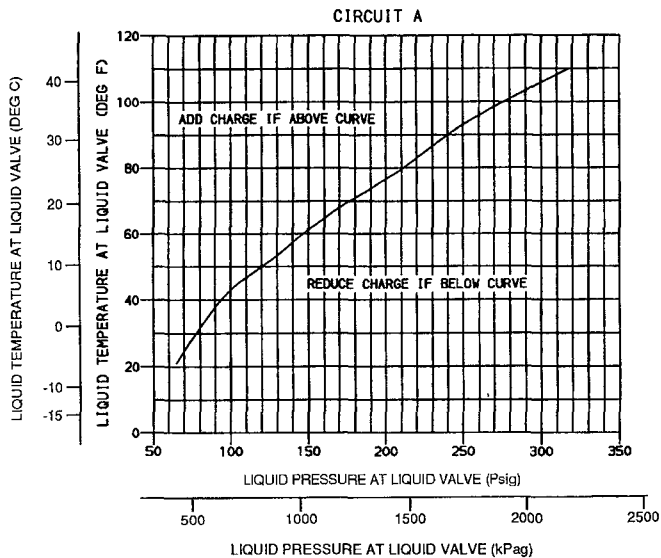
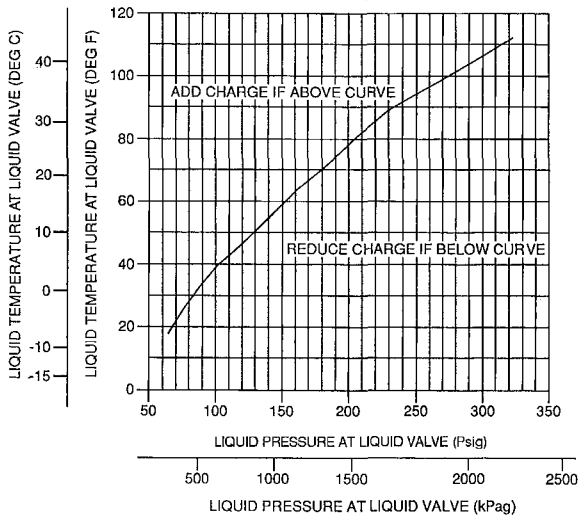


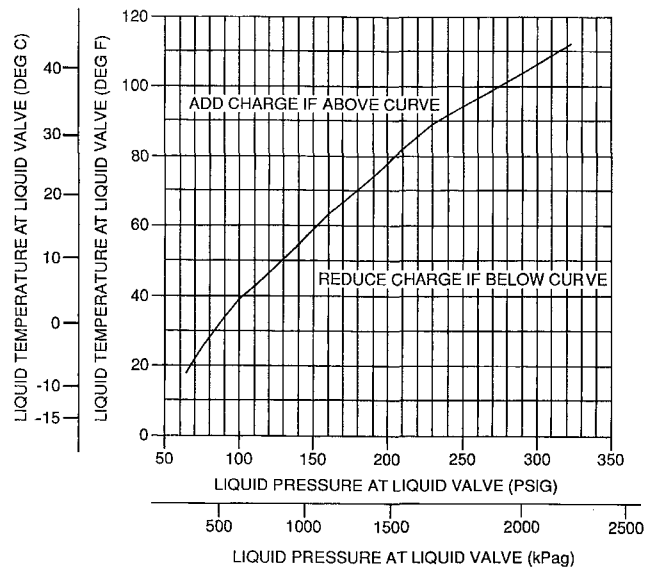
Fig. 34 — Charging Chart — Unit 38AH084; 50/60 Hz — Dual Circuit

ALL OUTDOOR FANS MUST BE OPERATING  
SINGLE CIRCUIT



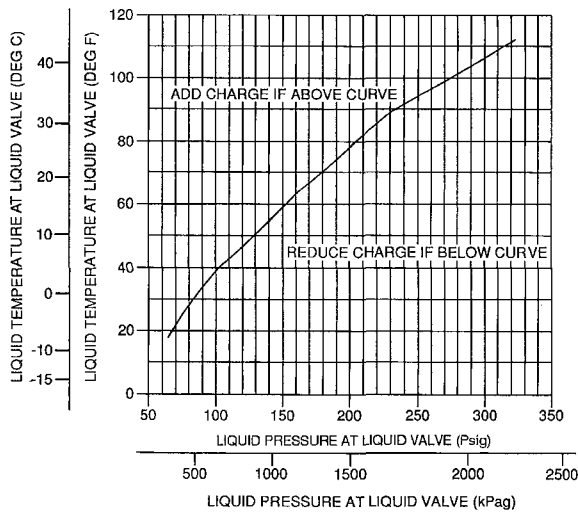
**Fig. 35 — Charging Chart — Unit 38AH044;  
50/60 Hz — Optional Single Circuit**

ALL OUTDOOR FANS MUST BE OPERATING  
SINGLE CIRCUIT



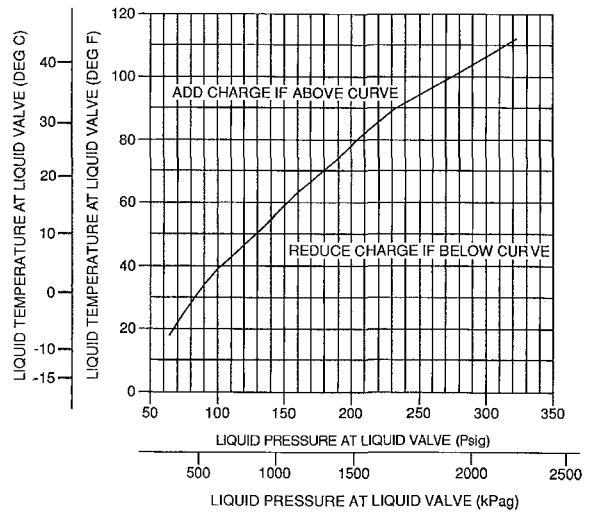
**Fig. 38 — Charging Chart — Unit 38AH074;  
50/60 Hz — Optional Single Circuit**

ALL OUTDOOR FANS MUST BE OPERATING  
SINGLE CIRCUIT



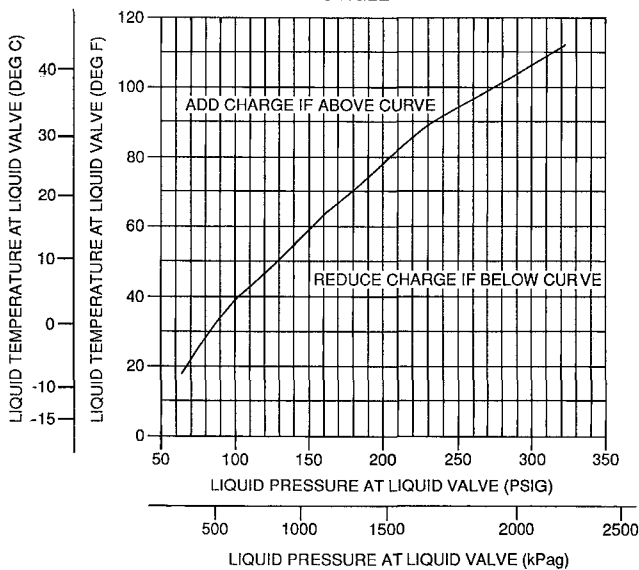
**Fig. 36 — Charging Chart — Unit 38AH054;  
50/60 Hz — Optional Single Circuit**

ALL OUTDOOR FANS MUST BE OPERATING  
SINGLE CIRCUIT

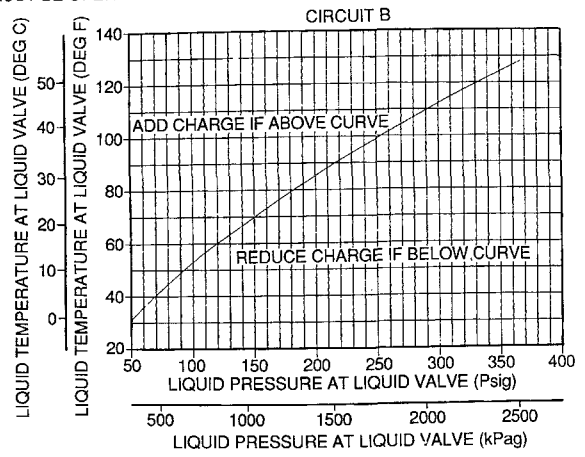
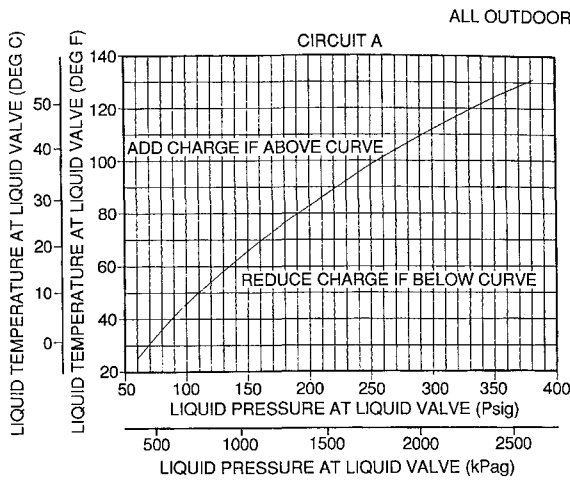


**Fig. 39 — Charging Chart — Unit 38AH084;  
50/60 Hz — Optional Single Circuit**

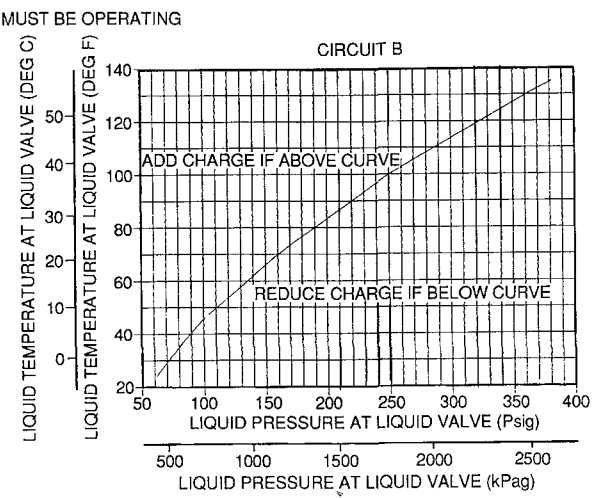
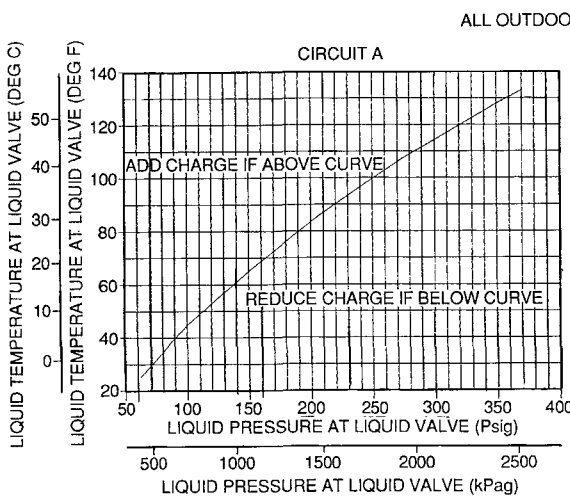
ALL OUTDOOR FANS MUST BE OPERATING  
SINGLE CIRCUIT



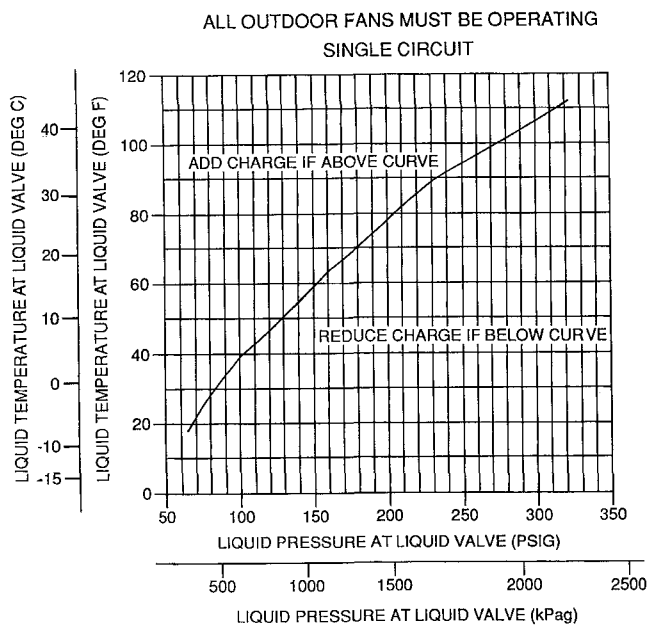
**Fig. 37 — Charging Chart — Unit 38AH064;  
50/60 Hz — Optional Single Circuit**



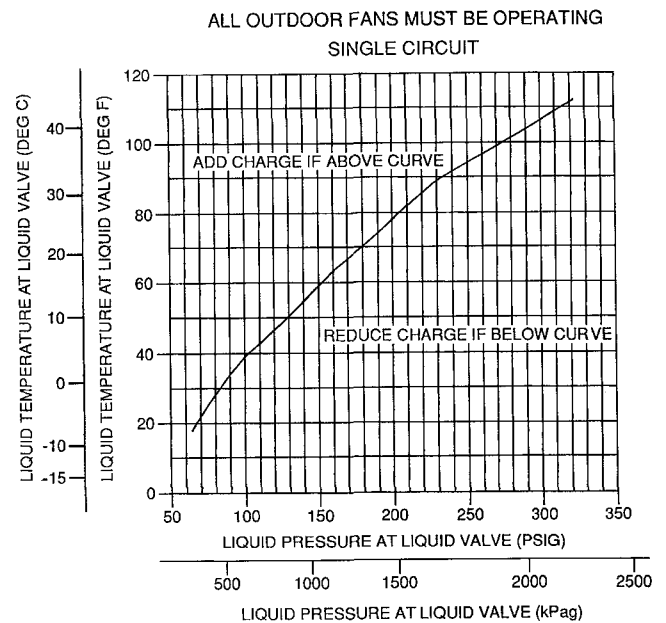
**Fig. 40 — Charging Chart — Unit 38AH094; 50/60 Hz**



**Fig. 41 — Charging Chart — Unit 38AH104; 50/60 Hz**



**Fig. 42 — Charging Chart — Modules 124A, 124B, and 134A; 50/60 Hz**



**Fig. 43 — Charging Chart — Module 134B; 50/60 Hz**

## SERVICE



### ELECTRIC SHOCK HAZARD

Turn off all power to unit before servicing. The ON-OFF switch on control panel does *not* shut off control power; use *field disconnect*.

**Coil Cleaning** — Clean the coils with a vacuum cleaner, compressed air, water, or a non-wire bristle brush.

### Refrigerant Circuit

**LEAK TESTING** — Units are shipped with a holding charge of R-22 (see Table 3A, 3B, 4A, or 4B) and should be under sufficient pressure to conduct a leak test. If there is no pressure in the system, introduce enough nitrogen to search for the leak. Repair the leak using good refrigeration practices. After leaks are repaired, system must be evacuated and dehydrated using methods described in GTAC II, Module 4, System Dehydration.

**REFRIGERANT CHARGE** (Refer to Table 3A, 3B, 4A, or 4B) — At the liquid line connection point on each circuit is a factory-installed liquid line service valve. On each valve is a 1/4-in. Schrader connection for charging liquid refrigerant.

**Charging with Unit Off and Evacuated** — Close liquid line service valve before charging. Weigh in charge shown in Table 3A, 3B, 4A, or 4B. Open liquid line service valve; start unit and allow it to run several minutes fully loaded. Check for a clear sight glass. Be sure clear condition is liquid and not vapor. Complete charging the unit in accordance with Start-Up, Adjust Refrigerant Charge, page 39.

**Charging with Unit Running** — If charge is to be added while unit is operating, it is necessary to have all condenser fans and compressors operating. It may be necessary to block condenser coils at low-ambient temperatures to raise condensing pressure to approximately 280 psig (1931 kPag) to turn all condenser fans on. Do not totally block a coil to do this. Partially block all coils in uniform pattern. Charge vapor into compressor low-side service port located above oil pump crankshaft housing. Charge each circuit until sight glass shows clear liquid.

**Troubleshooting** — Refer to Troubleshooting chart located at back of book.

**Oil Pressure Safety Switch (OPS)** — An oil pressure safety switch for each of the independent refrigerant circuits shuts off the compressor in that circuit if oil pressure is not established at start-up or maintained during operation. If the OPS stops the unit, determine and correct the cause before restarting the unit. *Failure to do so constitutes equipment abuse and could affect the warranty.*

### Compressor Motor Protection

**CIRCUIT BREAKER** — A manual reset, calibrated trip circuit breaker for each compressor protects against overcurrent. *Do not bypass connections or increase size of circuit breaker for any reason. If trouble occurs, determine the cause and correct it before resetting the breaker.*

**DISCHARGE GAS THERMOSTAT** — A sensor in the cylinder head of each compressor (Fig. 29) shuts down the compressor if excessively high discharge gas temperature is sensed. If the discharge gas thermostat shuts the unit down, it may be reset by the thermostat or power disconnect switch.

**CRANKCASE HEATER** (See Fig. 29) — Each compressor has an electric crankcase heater located in the bottom cover.

The heater is held in place by a clip and bracket and must be tightly connected since exposure to the air causes the heater to burn out. Each heater is wired into the compressor control circuit through a relay which energizes only when the compressor is off. The heater keeps the oil at a temperature that prevents excessive absorption of refrigerant during shutdown periods.

Energize the crankcase heaters when the unit is not running except during prolonged shutdown or servicing. *Energize the heaters at least 24 hours before restarting the unit after prolonged shutdown.*

**TIME GUARD® FUNCTION** — This function prevents compressors from short-cycling.

**Fan Motor Protection** — Fan motors are protected by a single circuit breaker for all motors.

**Head Pressure Control** — Head pressure control reduces condenser capacity under low-ambient conditions. This is achieved by fan cycling control (standard, all units) and Motormaster® III control accessory (field installed).

**FAN CYCLING** — All condensing units have standard provision for fully automatic intermediate season head pressure control through fan cycling (see Table 17).

**38AH044-084 Dual-Circuit Units** — Fans no. 3 and 4 are cycled by pressure control on all units. On 38AH074 and 084, fans no. 5 and 6 are also cycled by pressure control.

**38AH044-084 Optional Single Circuit Units** — Fans no. 3 and 4 are cycled by pressure control on all units. On 38AH074 and 084, fans no. 5 and 6 are cycled by an air-temperature switch located in the bottom shelf of the control box.

**Units 38AH094,104** — Fans no. 3 through 6 are cycled by pressure control.

**Units 38AH124,134** — Fans no. 3 and 4 on each unit module are cycled by pressure control. On module 134B only, fans no. 5 and 6 are cycled by an air-temperature switch located in the bottom shelf of the control box.

Pressure control is achieved via a fan cycling pressure switch located on the cylinder head of the unit or circuit lead compressor (see Fig. 29).

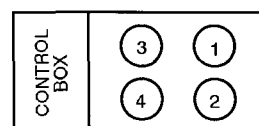
The air-temperature switch used to control fans no. 5 and 6 on 38AH074,084 optional single-circuit units and on module 134B is closed and cycles the fans on when the ambient-air temperature is above 70 F (21 C).

**Table 17 — Fan Cycling Control — Psig (kPag)**

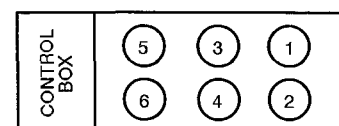
Control by Pressure* Switch Opens Switch Closes	±7 (48) 126 (869) 264 (1820)
---	------------------------------------

\*On all units, fans no. 3 and 4; also on unit 38AH074, 084 (dual-circuit units only) and 38AH094,104, fans no. 5 and 6.

NOTE: Fans no. 1 and 2 are noncycling. Units 38AH074,084 optional single-circuit units and module 134B fans no. 5 and 6 are cycled by an air-temperature switch which operates above 70 F (21 C) ambient-air temperature



38AH044-064,  
Modules 124A, 124B,  
134A



38AH074-104,  
Module 134B

**Winter Start Control** — A 2½-minute low-pressure switch (LPS) bypass function in the timer prevents nuisance LPS trips during start-up in low-ambient conditions.

**High-Pressure Switch** — This switch has nonadjustable settings. Figure 29 shows connection on a cylinder head. See Table 18 for pressure switch settings.

NOTE: High-pressure switch must be removed from cylinder head before removing compressor from the unit.

**TO CHECK** — Slowly close the discharge shutoff valve until the compressor shuts down. This should be at approximately 426 psig (2935 kPag). Slowly open the valve. When the pressure drops to approximately 320 psig (2205 kPag), the pressure switch resets. To reenergize the control circuit, manually switch the fan circuit breaker off and then on. The compressor starts again under Time Guard® controls.

**Low-Pressure Switch** — The low-pressure switch (LPS) has fixed nonadjustable settings. It is located at the pump end of the compressor above the bearing head. See Table 18 for pressure switch settings.

**TO CHECK** — Slowly close the suction cut-off valve and allow the compressor to shut down. This should occur at approximately 27 psig (186 kPag). Slowly open the valve. The compressor restarts under Time Guard control when the pressure builds to approximately 67 psig (462 kPag).

**Table 18 — Pressure Switch Settings, Psig (kPag)**

SWITCH	CUTOUT	CUT-IN
High	426 ± 7 (2935 ± 48)	320 ± 20 (2205 ± 138)
Low	27 ± 4 (186 ± 28)	67 ± 7 (462 ± 48)

### Capacity Control

**38AH044-084 DUAL-CIRCUIT UNITS** — Capacity control is achieved by a pressure-actuated cylinder bank unloader on lead compressor A1. As the cooling load decreases and the suction pressure drops, the unloader actuates at the pre-set suction pressure and unloads the cylinder bank. (See Fig. 44 and Table 18.) The unloading of the compressor cylinder bank has no effect on the operation of lag compressor B2, which is controlled by TC2.

**38AH044-084 SINGLE-CIRCUIT UNITS AND MODULES 124A, 124B, 134A, AND 134B** — Capacity control is achieved by a pressure-actuated cylinder bank unloader on lead compressor A1. See Table 16. As the cooling load decreases and the suction pressure drops, the unloader actuates at the pre-set suction pressure and unloads the cylinder bank. (See Fig. 44 and Table 19B and 20.) Lag compressor A2 is controlled by fixed setting capacity control pressure switches (CCPSs) as follows:

	CUT-IN — Psi (kPa)	CUTOUT — Psi (kPa)
CCPS 1	83 (572)	63 (531)
CCPS 2	80 (551)	53 (365)

CCPS — Capacity Control Pressure Switch

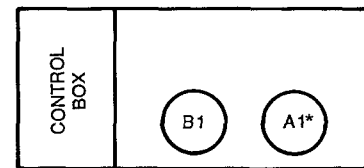
If suction pressure continues to drop after lead compressor A1 unloads and lag compressor A2 is operating, A2 will stop operating when the suction pressure drops to the CCPS cutout point.

**38AH094,104** — Capacity control is achieved by a pressure-actuated cylinder bank unloader on the lead compressor (A1, B1) on each of the 2 refrigeration circuits. As the cooling load decreases and the suction pressure drops, the unloader actuates at the pre-set suction pressure and unloads the cylinder bank. (See Fig. 44 and Table 20.) The unloading of the compressor cylinder bank has no effect on the operation of the circuit lag compressor (A2, B2 [except 38AH094, circuit B]) which is controlled by fixed setting capacity control pressure switches (CCPSs) as follows:

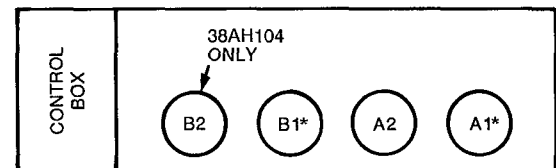
	CUT-IN — Psi (kPa)	CUTOUT — Psi (kPa)
CCPS 1	83 (572)	63 (531)
CCPS 2	80 (551)	53 (365)

CCPS — Capacity Control Pressure Switch

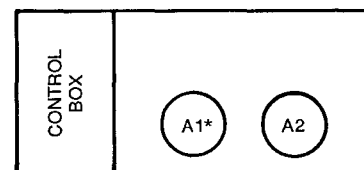
**Pressure Relief** — High-side pressure relief is provided by a fusible plug in the liquid line at the service valve. For low-side pressure relief, a fusible plug is inserted in the side of the accumulator (all units except 38AH044-084 dual-circuit, constant-volume units). See Fig. 45. The 38AH044-084 dual-circuit, constant-volume units have a fusible plug in the suction tubing. A pressure relief valve installed on the compressor relieves at 450 psig (3102 kPag) (see Fig. 1-6).



COMPRESSORS - 38AH044-084  
DUAL-CIRCUIT UNITS



COMPRESSORS - 38AH094,104 UNITS



COMPRESSORS - 38AH044,084  
SINGLE-CIRCUIT UNITS;  
MODULES 124A, 124B, 134A, 134B

### Unloader Settings

Unload, psig (kPag) Load, psig (kPag)	56 (386) 76 (524)
--	----------------------

\*Unloader location

**Fig. 44 — Unloader Location and Settings**

**Table 19A — One 2-Stage Thermostat Capacity Control for 38AH044-084 Dual-Circuit Units**

UNIT 38AH	QUANTITY OF LOADED COMPRESSOR CYLINDERS			SYSTEM CAPACITY (%)
	Circuit A	Circuit B	Total	
044	4	4	8	100
	2	4	6	75
	4	0	4	50
	2	0	2	25
054	4	6	10	100
	2	6	8	79
	2	4	6*	59
	4	0	4	42
	2	0	2	21
064	6	6	12	100
	4	6	10	84
	2	6	8*	68
	6	0	6	48
	4	0	4	32
	2	0	2*	16
074	6	6	12	100
	4	6	10	86
	2	6	8*	72
	6	0	6	43
	4	0	4	29
	2	0	2*	15
084	6	6	12	100
	4	6	10	83
	2	6	8*	66
	6	0	6	50
	4	0	4	33
	2	0	2*	17

\*Requires units with VAV (variable air volume) factory-supplied option

NOTE: Units have 2 independent refrigeration circuits. Circuit A is lead circuit.

**Table 19B — One 2-Stage Thermostat Capacity Control for 38AH044-084 Optional Single-Circuit Units**

UNIT 38AH	QUANTITY OF LOADED CYLINDERS	SYSTEM CAPACITY (%)
044	8	100
	6	75
	4	50
	2	25
054	10	100
	8	81
	6	60
	6	56
	4	37
	2*	19*
064	12	100
	10	82
	8	64
	6	56
	4	36
	2†	18
074	12	100
	10	81
	8	62
	6	57
	4	38
	2†	19
084	12	100
	10	83
	8	66
	6	50
	4	33
	2†	17

\*Requires accessory unloader on lead 06E-265 compressor (A1).

†Requires VAV (variable air volume) factory-installed option or accessory unloader

**Table 20 — One 2-Stage Thermostat Capacity Control for 38AH094-134 Units**

UNIT 38AH	QUANTITY OF LOADED COMPRESSOR CYLINDERS			SYSTEM CAPACITY (%)
	Ckt A	Ckt B	Total	
094	10	6	16	100
	10	4	14	85
	10	2	12	70*
	10	0	10	55
	8	0	8	44
	6	0	6	33
	4	0	4	22
104	10	12	22	100
	8	12	20	91
	8	10	18	82
	10	6	16	73
	6	6	12	55
	6	4	10	45
	0	6	6	27
	4	0	4	18
	0	4	4	18
	2†	0	2	9†
124	12	12	24	100
	10	12	22	92
	10	10	20	83
	8*	10	18	75*
	6	10	16	67
	6	8*	14	58*
	6	6	12	50
	4	6	10	42
	6	0	6	25
	4	0	4	17
	2*	0	2	8*
134	12	12	24	100
	10	12	22	92
	10	10	20	83
	8*	10	18	75*
	6	10	16	67
	6	8*	14	58*
	6	6	12	50
	4	6	10	42
	6	0	6	25
	4	0	4	17
	2*	0	2	8*

\*Requires VAV (variable air volume) unit or accessory unloader(s) field installed on circuit lead compressor. Lead compressor is identified in Table 16, page 39

†Requires field-installed accessory unloader on circuit lead compressor. Lead compressor is identified in Table 16, page 39

**NOTES:**

- 1 Temperatures calculated with the minimum number of fans operating per circuit
- 2 See Table 16, page 39, for information on lead and lag circuits

**CONTROL SET POINT** — Control set point (cylinder load point) is adjustable from 0 to 85 psig (0 to 586 kPag). To adjust the set point, turn the control set point adjustment nut clockwise to bottom stop. (See Fig 46.) In this position, load-up set point is 85 psig (586 kPag). Turn adjustment counterclockwise to desired control set point. Every full turn clockwise decreases the load-up set point by 7.5 psig (52 kPag).

**PRESSURE DIFFERENTIAL** — Pressure differential (difference between cylinder load and unload points) is adjustable from 6 to 22 psig (41 to 152 kPag). To adjust, turn pressure differential adjustment screw counterclockwise to back stop position. The differential pressure is now adjusted to 6 psig (41 kPag). Turn the adjustment screw clockwise to adjust the differential pressure. Every full clockwise turn increases the differential by 1.5 psig (10 kPag).

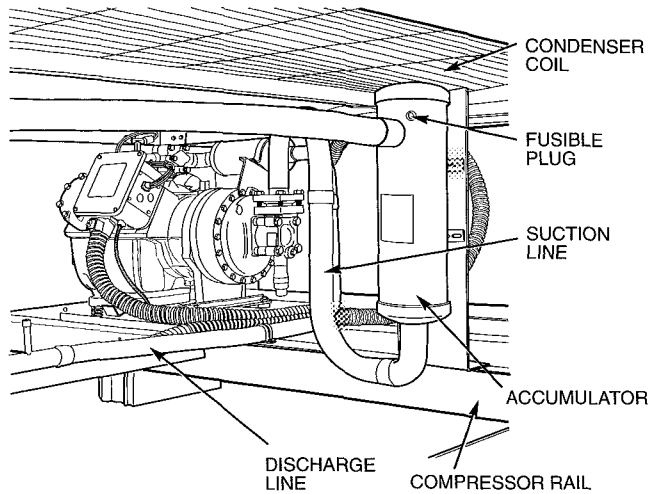


Fig. 45 — Accumulator and Fusible Plug

**Timer Functions** — (See Timer Cycle, Fig. 47.) Each refrigeration circuit is controlled by an independent timer which allows for the independent operation of each refrigeration circuit.

**NOTE:** Unit 38AH044-084 optional single-circuit units have one timer which controls the lead compressor. Lag compressor is controlled by CCPS (capacity control pressure switch).

**SWITCH A** — The timer is energized through contacts A-A1 or A-A2. This establishes the Time Guard® function which prevents compressor short-cycling. Start of compressor is delayed approximately 5.5 minutes after shutdown.

**SWITCH B** — The compressor is initially energized through contacts B-B1.

**SWITCH D** — Contacts D-D1 provide a 2½-minute bypass of the low-pressure switch at start-up for winter-start control. On 38AH044-084 optional single-circuit units, contacts D-D2 control start-up of compressor A2.

**SWITCH E** — Contacts E-E1 provide a 40-second bypass of the oil pressure switch at start-up. If oil pressure does not build to the required minimum pressure in 40 seconds, the compressor shuts down and the control circuit locks out.

On 38AH044-084 dual-circuit and 38AH094,104 units, lag circuit B start-up is delayed 60 seconds after a call for cooling is made to the circuit. This prevents compressor(s) in both lead and lag circuits from starting at the same time.

**Control Circuit Reset** — The control circuit locks out if the unit shuts down because of low oil pressure, high discharge gas temperature (DGT), or excessive high-side pressure. To reset the control circuit, open and close the fan circuit breaker (FCB). This resets the timer, and the unit restarts under Time Guard control. At start-up, if the low-pressure switch (LPS) does not close after 2½ minutes, the unit shuts down. When the pressure builds enough for the LPS to cut in, the control circuit is energized automatically and start-up proceeds under Time Guard control.

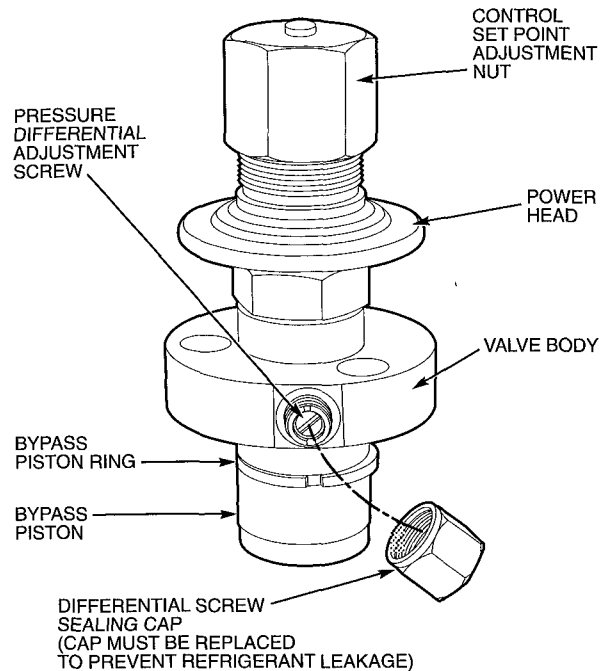


Fig. 46 — Pressure-Actuated Capacity Control Valve

## CONTROL

**Sequence of Operation** — Units are controlled with electromechanical components. Each refrigeration circuit (except 38AH044-084 optional single-circuit units) is operated by an independent timer which controls the operation sequence of each circuit.

On a call for cooling, first stage cooling thermostat TC1 closes. Condenser fans and timer (TM) are energized. After approximately 7 seconds, timer contacts E-E1 close. Approximately 12 seconds after TC1 closes, normally-open timer contacts B-B1 close for 1 second. This energizes compressor A1 contacts CA1 and starts the compressor. At the same time, solenoid drop relays (SDRs) and liquid line solenoid valve no. 1 (LLS-A for 38AH044-084 dual-circuit units; LLS-A1 for all other units) open, and timer relay no. 1 (TR2) is energized. Normally open TR2 contacts close, completing a circuit around B-B1 and through compressor A1 contactors to maintain compressor operation when B-B1 contacts open. Contacts E-E1 remain closed for approximately 40 seconds to bypass the oil pressure switch (OPS). If oil pressure is insufficient when contacts E-E1 open, the compressor stops, the timer cycles off, and the control circuit locks out. At start-up, timer contacts D-D1 are closed, bypassing low-pressure relay contacts LPR-A for 2½ minutes. This provides a winter start-up feature.

Approximately 2½ minutes after TC1 closes, timer contacts D-D1 open and D-D2 close. If pressure is insufficient to close the low-pressure switch, the low-pressure switch relay is open, the compressor shuts down, and the Time Guard control is initiated. (Time Guard control prevents compressor from restarting for 5 minutes after the demand for cooling is satisfied.)

38AH044-084 DUAL-CIRCUIT UNITS; 38AH094,104 — If circuit A operation is insufficient for the cooling requirements, the thermostat second stage TC2 closes to bring circuit B on-line for cooling. This circuit follows the same sequence of operation as the lead circuit, except a 60-second time delay relay (TDR) delays compressor start-up for 60 seconds after the call for cooling.

38AH044-084 OPTIONAL SINGLE-CIRCUIT UNITS: MODULES 124A, 124B, 134A, AND 134B

NOTE: This sequence of operation assumes that 2 thermostats control units 38AH124 or 134 with one thermostat controlling each module.

If compressor A1 is insufficient for the cooling requirements, the thermostat second stage closes, which opens the liquid line solenoid valve LLS-A2. Compressor A2 starts only after D-D2 contacts in the timer close and the suction pressure is sufficient to close the capacity control switches.

ALL UNITS — When the fan switch is set for automatic (AUTO) operation, the indoor-fan contactor (IFC) is cycled with the lead compressor. If the fan switch is set for continuous (CONT), the IFC is energized as long as the unit power is on.

**Restart After Stoppage by Safety Control** — The high-pressure switch, compressor discharge gas thermostats, and the oil pressure switch must be reset manually by breaking the control power supply at any of the following points: control circuit fuse, fan motor circuit breaker, or the thermostat. Restart follows the Time Guard® control delay.

Stoppage by low-pressure switch results in Time Guard control delay, then unit attempts normal restart.

The compressor motor overcurrent protectors are manual-reset circuit breakers. Reset of control circuit may also be necessary.

**Independent Refrigerant Circuit Controls** — Each refrigeration circuit is controlled by independent circuitry. Therefore, it is possible to maintain partial cooling capability even if one compressor is inoperable.

NOTE: The 38AH044-084 optional single-circuit units do not have independent control circuitry.

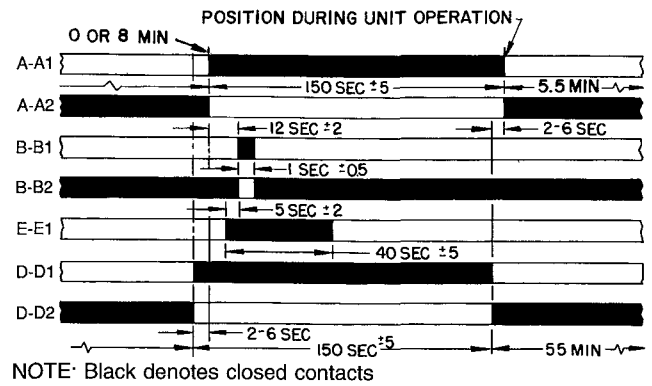


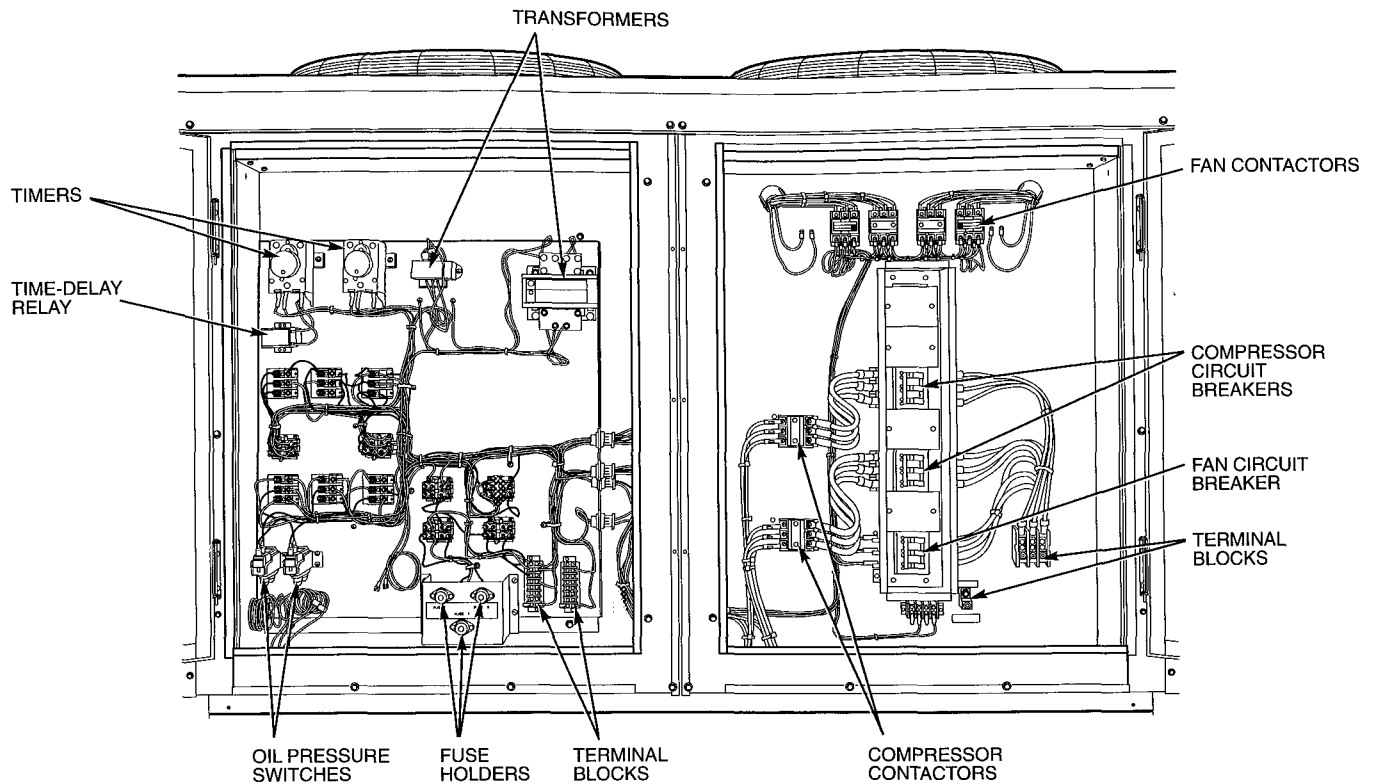
Fig. 47 — Timer Cycle

**Unit Control Box** — (See Fig. 48.) Viewed facing compressors, the control box is at left end of the unit. All incoming power enters through the control box. The control box contains power components and electronic controls. Outer panels are hinged and latched for easy opening. Remove screws to remove inner panels. Outer panels can be held open for service and inspection by using door retainer on each panel. Remove bottom pin from door retainer assembly, swing retainer out horizontally, and engage pin in one of the retainer ears and the hinge assembly.

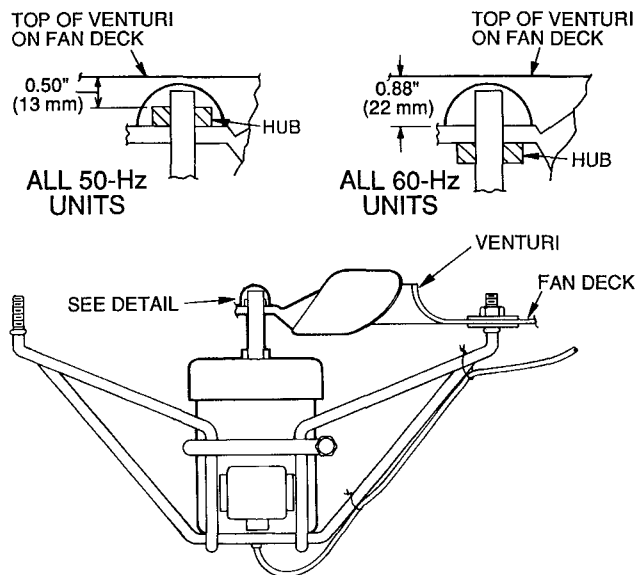
**Condenser Fans** — Each fan is supported by a formed wire mount bolted to fan deck and covered with a wire guard. The exposed end of fan motor shaft is protected from weather by grease. If fan motor must be removed for service or replacement, be sure to regrease fan shaft, and reinstall fan guard. For proper performance, fan should be 7/8 in. (22 mm) below top of venturi on the fan deck to top of the fan hub for 60-Hz units, and 1/2 in. (13 mm) for 50-Hz units. (See Fig. 49.) Tighten set screws to 15 ± 1 ft-lbs (20 ± 1.3 N-m). Figure 49 shows proper position of mounted fan.

**IMPORTANT:** Check for proper fan rotation (clockwise viewed from above). If necessary to reverse, switch leads.





**Fig. 48 — Unit Control Box**



NOTE: Fan rotation is clockwise when viewed from top of unit.

**Fig. 49 — Condenser Fan Adjustment**

**Required Compressor Modification for 38AH044-084 Optional Single-Circuit Units, When Compressor A1 is Out** — To maintain unit operation, compressor no.1 must be operable. If it is not operable, the following temporary modifications must be made to keep the unit running:

1. Change the oil pressure switch connections from compressor A1 to compressor A2.
2. Connect compressor A2 into the Time Guard® circuit as compressor A1 was originally.
3. Open compressor A1 circuit breaker.

NOTE: Make sure the crankcase heaters are energized when compressors are off.

**Compressor Removal** — Access to the pump end of the compressor is from the compressor side of the unit. Access to the motor end of the compressor is from the inside of the unit. All compressors can be removed from the compressor side of the unit.

**IMPORTANT:** All compressor mounting hardware and support brackets removed during servicing must be re-installed prior to start-up.

1. Disconnect power to unit; lockout power to compressor.
2. Close suction and discharge service valves.
3. Relieve refrigerant pressure into a refrigerant recovery system.
4. Remove:
  - a. Fan-cycling pressure switch (FCPS)
  - b. High-pressure switch
  - c. Low-pressure switch
  - d. Oil-pressure switch
  - e. Discharge gas temperature switch.
5. Disconnect power wires at terminal box and disconnect conduit.
6. Disconnect wires from crankcase heater.
7. Disconnect service valves from compressor.

NOTE: On 38AH044-084 optional single-circuit units and units with 2 compressors per circuit, disconnect both oil equalizer lines located on the motor barrel and on the oil pump sump.

8. Units 38AH044-084, 124, and 134:
  - a. Remove 4 large screws securing compressor mounting pan to unit base rail.
  - b. Slide compressor (on mounting pan) to outside of unit frame; support and/or lower to ground.
  - c. Unbolt compressor from mounting pan and remove.

9. Units 38AH094, 104:

- a. Remove 4 large screws securing compressor to the compressor rails.
- b. Lift compressor off mounting bolts and remove.

**Compressor Replacement** — Perform the following:

1. Reverse procedure in Compressor Removal section to end of Step 4.
2. Reinstall service valves and safety switches, and tighten to torques as listed:

<u>Torque</u>	<u>Compressor(s)</u>
Tighten discharge valves to —	
20-25 ft-lbs ( 27- 34 N-m)	06E-250
80-90 ft-lbs (109-122 N-m)	06E-265,275,299
Tighten suction valves to —	
80- 90 ft-lbs (109-122 N-m)	06E-250
90-120 ft-lbs (122-163 N-m)	06E-265,275,299
Tighten the following fittings as specified —	
60 ft-lbs (81 N-m)	Discharge Gas Thermostat
120 in.-lbs (13.5 N-m)	High-Pressure Switch, Fan-Cycling Pressure Switch
120 in.-lbs (13.5 N-m)	Low-Pressure Switch

3. Leak-check and evacuate system, reclaim refrigerant.
4. Recharge system per pre-start-up and start-up sequences. Recheck oil levels.
5. Energize crankcase heater for 24 hours prior to restart of system.

**OIL CHARGE** — (Refer to Table 3A, 3B, 4A, or 4B.) All units are factory charged with oil. Acceptable oil level for each compressor is from 1/8 to 1/3 of sight glass (see Fig. 29, page 38).

When additional oil or a complete charge is required, use only Carrier-approved compressor oil.

Approved oils are:

- Petroleum Specialties, Inc. — Cryol 150A (factory oil charge)  
 Texaco, Inc. — Capella WF-32-150  
 Witco Chemical Co. — Suniso 3GS

COMPRESSOR	OIL REQUIRED	
	Pts	L
<b>06E-250</b>	17	8 0
<b>06E-265</b>	21	9 9
<b>06E-275</b>	21	9 9
<b>06E-299</b>	19	9 0

*Do not reuse drained oil, and do not use any oil that has been exposed to atmosphere.*

Adjust oil level in accordance with Start-Up, Preliminary Oil Charge, page 38.

## TROUBLESHOOTING

PROBLEM	SOLUTION
<p><b>COMPRESSOR DOES NOT RUN</b></p> <p><u>Contactor Open</u></p> <ol style="list-style-type: none"> <li>1. Power off.</li> <li>2. Fuses blown in field power circuit.</li> <li>3. No control power.</li> <li>4. Thermostat circuit open.</li> <li>5. Multi-function timer not operating.</li> <li>6. Compressor circuit breaker tripped.</li> <li>7. Safety device lockout circuit active.</li> <li>8. Low-pressure switch open.</li> <li>9. High-pressure switch open.</li> <li>10. Discharge gas temperature switch open.</li> <li>11. Loose electrical connections.</li> <li>12. Compressor stuck.</li> </ol> <p><u>Contactor Closed</u></p> <ol style="list-style-type: none"> <li>1. Compressor leads loose.</li> <li>2. Motor windings open.</li> <li>3. Single phasing.</li> </ol>	<ol style="list-style-type: none"> <li>1 Restore power.</li> <li>2 After finding cause and correcting, replace with correct size fuse</li> <li>3. Check secondary fuse(s); replace with correct type and size. Replace transformer if primary windings receiving power.</li> <li>4. Check thermostat setting.</li> <li>5. Check timer for proper operation; replace if defective.</li> <li>6 Check for excessive compressor current draw. Reset breaker; replace if defective</li> <li>7. Reset lockout circuit at thermostat or circuit breaker.</li> <li>8 Check for refrigerant undercharge, obstruction of indoor airflow, or whether compressor suction shutoff valve is fully open. Make sure liquid line solenoid valve(s) is open</li> <li>9. Check for refrigerant overcharge, obstruction of outdoor airflow, air in system or whether compressor discharge valve is fully open. Be sure outdoor fans are operating correctly</li> <li>10 Check for open condition. Allow for reset. Replace if defective</li> <li>11. Tighten all connections</li> <li>12 See 06E compressor service literature.</li> <li>1 Check connections.</li> <li>2 See 06E compressor service literature.</li> <li>3. Check for blown fuse. Check for loose connection at compressor terminal</li> </ol>
<p><b>COMPRESSOR STOPS ON HIGH-PRESSURE SWITCH</b></p> <p><u>Outdoor Fan On</u></p> <ol style="list-style-type: none"> <li>1. High-pressure switch faulty.</li> <li>2. Airflow restricted.</li> <li>3. Air recirculating.</li> <li>4. Noncondensables in system.</li> <li>5. Refrigerant overcharge.</li> <li>6. Line voltage incorrect.</li> <li>7. Refrigerant system restrictions.</li> </ol> <p><u>Outdoor Fan Off</u></p> <ol style="list-style-type: none"> <li>1. Fan slips on shaft.</li> <li>2. Motor not running.</li> <li>3. Motor bearings stuck.</li> <li>4. Motor overload open.</li> <li>5. Motor burned out.</li> </ol>	<ol style="list-style-type: none"> <li>1 Replace switch</li> <li>2 Remove obstruction.</li> <li>3. Clear airflow area.</li> <li>4. Purge and recharge as required</li> <li>5. Purge as required.</li> <li>6 Consult power company</li> <li>7. Check or replace filter drier, expansion valve, etc. Check that compressor discharge valve is fully open</li> <li>1 Tighten fan hub setscrews.</li> <li>2. Check power and capacitor.</li> <li>3. Replace bearings</li> <li>4. Check overload rating. Check for fan blade obstruction.</li> <li>5 Replace motor.</li> </ol>
<p><b>COMPRESSOR CYCLES ON LOW-PRESSURE SWITCH</b></p> <p><u>Indoor-Air Fan Running</u></p> <ol style="list-style-type: none"> <li>1. Filter drier plugged.</li> <li>2. Expansion valve power head defective.</li> <li>3. Low refrigerant charge.</li> </ol> <p><u>Airflow Restricted</u></p> <ol style="list-style-type: none"> <li>1. Coil iced up.</li> <li>2. Coil dirty.</li> <li>3. Air filters dirty.</li> <li>4. Dampers closed.</li> </ol> <p><u>Indoor-Air Fan Stopped</u></p> <ol style="list-style-type: none"> <li>1. Electrical connections loose.</li> <li>2. Fan relay defective.</li> <li>3. Motor overload open.</li> <li>4. Motor defective.</li> <li>5. Fan belt broken or slipping.</li> </ol>	<ol style="list-style-type: none"> <li>1. Replace filter drier</li> <li>2 Replace power head</li> <li>3. Add charge. Check low-pressure switch setting.</li> <li>1. Check refrigerant charge</li> <li>2. Clean coil fins.</li> <li>3. Clean or replace filters.</li> <li>4. Check damper operation and position.</li> <li>1. Tighten all connections</li> <li>2 Replace relay.</li> <li>3 Power supply.</li> <li>4 Replace motor</li> <li>5. Replace or tighten belt</li> </ol>

## TROUBLESHOOTING (cont)

PROBLEM	SOLUTION
<b>COMPRESSOR STOPS ON OIL PRESSURE SWITCH</b> <ol style="list-style-type: none"> <li>1. Oil level too low or too high.</li> <li>2. Compressor is short cycling.</li> <li>3. Crankcase heater off.</li> <li>4. Low refrigerant charge.</li> <li>5. Refrigerant floodback.</li> <li>6. Evaporator coil is blocked or iced.</li> <li>7. Evaporator fan not operating.</li> <li>8. Distributor and/or TXV too large.</li> <li>9. Suction riser too large.</li> <li>10. Defective oil pressure switch.</li> <li>11. Plugged oil pump inlet screen.</li> <li>12. Faulty oil pump drive segment.</li> <li>13. Worn oil pump.</li> <li>14. Worn compressor bearings.</li> </ol>	<ol style="list-style-type: none"> <li>1 Check oil level requirements, adjust oil level until sight glass is filled 1/8 to 1/3 when running</li> <li>2. Check for               <ol style="list-style-type: none"> <li>a) Thermostat location and operation</li> <li>b) Safety device lockout circuit operation.</li> <li>c) End-of-cycle control and timer operation</li> <li>d) Low-pressure switch and relay operation.</li> </ol> </li> <li>3. Check relay operation; replace crankcase heater(s), if defective</li> <li>4. Adjust charge as required</li> <li>5 Adjust TXV superheat.</li> <li>6 Check and correct as required</li> <li>7. Check and correct as required.</li> <li>8 Check sizing at design conditions; change if incorrect for current application</li> <li>9 Check line sizing at minimum design condition, change piping if incorrect</li> <li>10. Check switch for proper operation; check capillary lines for plugged lines</li> <li>11. Clean oil pump screen.</li> <li>12. Replace drive segment</li> <li>13 Replace bearing head assembly.</li> <li>14 Replace compressor; see 06E service instructions</li> </ol>
<b>COMPRESSOR RUNNING BUT COOLING INSUFFICIENT</b> <u>Suction Pressure Low</u> <ol style="list-style-type: none"> <li>1. Refrigerant charge low.</li> <li>2. Head pressure low.</li> <li>3. Air filters dirty.</li> <li>4. Expansion valve power head defective.</li> <li>5. Indoor coil partially iced.</li> <li>6. Indoor airflow restricted.</li> </ol> <u>Suction Pressure High</u> <ol style="list-style-type: none"> <li>1. Unloaders not functioning.</li> <li>2. Compressor valve defective.</li> <li>3. Heat load excessive.</li> </ol>	<ol style="list-style-type: none"> <li>1 Add refrigerant</li> <li>2. Check refrigerant charge. Check outdoor-air fan thermostat settings.</li> <li>3. Clean or replace filters.</li> <li>4. Replace power head</li> <li>5 Check low-pressure setting.</li> <li>6. Remove obstruction</li> <li>1. Check unloader adjustments Check unloader setting.</li> <li>2. See 06E compressor service literature.</li> <li>3. Check for open doors or windows in vicinity of fan coil</li> </ol>
<b>UNIT OPERATES TOO LONG OR CONTINUOUSLY</b> <ol style="list-style-type: none"> <li>1. Low refrigerant charge.</li> <li>2. Control contacts fused.</li> <li>3. Air in system.</li> <li>4. Partially plugged expansion valve or filter drier.</li> </ol>	<ol style="list-style-type: none"> <li>1. Add refrigerant.</li> <li>2 Replace control</li> <li>3 Purge and evacuate system</li> <li>4. Clean or replace</li> </ol>
<b>SYSTEM IS NOISY</b> <ol style="list-style-type: none"> <li>1. Piping vibration.</li> <li>2. Compressor noisy.</li> </ol>	<ol style="list-style-type: none"> <li>1 Support piping as required</li> <li>2. Check valve plates for valve noise Replace compressor if bearings are worn.</li> </ol>
<b>COMPRESSOR LOSES OIL</b> <ol style="list-style-type: none"> <li>1. Leak in system.</li> <li>2. Crankcase heaters not energized during shutdown.</li> <li>3. Improper interconnecting piping design.</li> </ol>	<ol style="list-style-type: none"> <li>1. Repair leak.</li> <li>2. Check wiring and relays Check heater and replace if defective</li> <li>3. Check piping for oil return Replace if necessary</li> </ol>
<b>FROSTED SUCTION LINE</b> <ol style="list-style-type: none"> <li>1. Expansion valve admitting excess refrigerant.</li> </ol>	<ol style="list-style-type: none"> <li>1. Adjust expansion valve</li> </ol>
<b>HOT LIQUID LINE</b> <ol style="list-style-type: none"> <li>1. Shortage of refrigerant due to leak.</li> <li>2. Expansion valve opens too wide.</li> </ol>	<ol style="list-style-type: none"> <li>1 Repair leak and recharge.</li> <li>2. Adjust expansion valve</li> </ol>
<b>FROSTED LIQUID LINE</b> <ol style="list-style-type: none"> <li>1. Restricted filter drier.</li> </ol>	<ol style="list-style-type: none"> <li>1 Remove restriction or replace.</li> </ol>
<b>COMPRESSOR WILL NOT UNLOAD</b> <ol style="list-style-type: none"> <li>1. Defective unloader.</li> <li>2. Defective capacity control solenoid valve (if used).</li> <li>3. Miswired capacity control liquid line solenoid (if used).</li> <li>4. Weak, broken, or wrong valve body spring.</li> </ol>	<ol style="list-style-type: none"> <li>1 Replace unloader</li> <li>2 Replace valve.</li> <li>3 Rewire correctly.</li> <li>4 Replace spring</li> </ol>
<b>COMPRESSOR WILL NOT LOAD</b> <ol style="list-style-type: none"> <li>1. Miswired capacity control liquid line solenoid (if used).</li> <li>2. Defective capacity control solenoid valve (if used).</li> <li>3. Plugged strainer (high side).</li> <li>4. Stuck or damaged unloader piston or piston ring(s).</li> </ol>	<ol style="list-style-type: none"> <li>1 Rewire correctly</li> <li>2 Replace valve</li> <li>3 Clean or replace strainer</li> <li>4 Clean or replace the necessary parts.</li> </ol>



## PACKAGED SERVICE TRAINING

Our packaged service training programs provide an excellent way to increase your knowledge of the equipment discussed in this manual. Product programs cover:

- Unit Familiarization
- Maintenance
- Installation Overview
- Operating Sequence

A large selection of product, theory, and skills programs is available. All programs include a video cassette and/or slides and a companion booklet. Use these for self teaching or to conduct full training sessions.

For a free Service Training Material Catalog (STM), call 1-800-962-9212. Ordering instructions are included.

# START-UP CHECKLIST

## A. Preliminary Information

OUTDOOR: MODEL NO. \_\_\_\_\_ SERIAL NO. \_\_\_\_\_  
INDOOR: AIR HANDLER MANUFACTURER \_\_\_\_\_  
MODEL NO. \_\_\_\_\_ SERIAL NO. \_\_\_\_\_  
ADDITIONAL ACCESSORIES \_\_\_\_\_

## B. Pre-Start-Up

### OUTDOOR UNIT

IS THERE ANY SHIPPING DAMAGE? \_\_\_\_\_ (Y/N) \_\_\_\_\_  
IF SO, WHERE: \_\_\_\_\_

WILL THIS DAMAGE PREVENT UNIT START-UP? (Y/N) \_\_\_\_\_  
CHECK POWER SUPPLY. DOES IT AGREE WITH UNIT? (Y/N) \_\_\_\_\_  
HAS THE GROUND WIRE BEEN CONNECTED? (Y/N) \_\_\_\_\_  
HAS THE CIRCUIT PROTECTION BEEN SIZED AND INSTALLED PROPERLY? (Y/N) \_\_\_\_\_  
ARE THE POWER WIRES TO THE UNIT SIZED AND INSTALLED PROPERLY? (Y/N) \_\_\_\_\_  
HAVE COMPRESSOR HOLDDOWN BOLTS BEEN LOOSENED? (Y/N) \_\_\_\_\_

### CONTROLS

ARE THERMOSTAT(S) AND INDOOR FAN CONTROL WIRING CONNECTIONS MADE AND CHECKED? (Y/N) \_\_\_\_\_  
ARE ALL WIRING TERMINALS (including main power supply) TIGHT? (Y/N) \_\_\_\_\_  
HAVE CRANKCASE HEATERS BEEN ENERGIZED FOR 24 HOURS? (Y/N) \_\_\_\_\_

### INDOOR UNIT

HAS WATER BEEN PLACED IN DRAIN PAN TO CONFIRM PROPER DRAINAGE? (Y/N) \_\_\_\_\_  
ARE PROPER AIR FILTERS IN PLACE? (Y/N) \_\_\_\_\_  
HAVE FAN AND MOTOR PULLEYS BEEN CHECKED FOR PROPER ALIGNMENT? (Y/N) \_\_\_\_\_  
DO THE FAN BELTS HAVE PROPER TENSION? (Y/N) \_\_\_\_\_

### PIPING

ARE LIQUID LINE SOLENOID VALVES LOCATED AT THE EVAPORATOR COILS AS REQUIRED? (Y/N) \_\_\_\_\_  
HAVE LEAK CHECKS BEEN MADE AT COMPRESSORS, CONDENSERS, EVAPORATORS, TXVs (Thermostatic Expansion Valves) SOLENOID VALVES, FILTER DRIERS, AND FUSIBLE PLUGS WITH A LEAK DETECTOR? (Y/N) \_\_\_\_\_  
LOCATE, REPAIR, AND REPORT ANY LEAKS. \_\_\_\_\_

HAVE ALL COMPRESSOR SERVICE VALVES BEEN FULLY OPENED (BACKSEATED)? (Y/N) \_\_\_\_\_  
ARE THE COMPRESSOR OIL SIGHT GLASSES SHOWING ABOUT 1/2 FULL? (Y/N) \_\_\_\_\_

### CHECK VOLTAGE IMBALANCE

LINE-TO-LINE VOLTS: AB \_\_\_\_\_ V AC \_\_\_\_\_ V BC \_\_\_\_\_ V  
(AB + AC + BC)/3 = AVERAGE VOLTAGE = \_\_\_\_\_ V  
MAXIMUM DEVIATION FROM AVERAGE VOLTAGE = \_\_\_\_\_ V  
VOLTAGE IMBALANCE = 100 X (MAX DEVIATION)/(AVERAGE VOLTAGE) = \_\_\_\_\_ %

IF OVER 2% VOLTAGE IMBALANCE, DO NOT ATTEMPT TO START SYSTEM!  
CALL LOCAL POWER COMPANY FOR ASSISTANCE.

CUT ALONG DOTTED LINE

CUT ALONG DOTTED LINE





## Free Manuals Download Website

<http://myh66.com>

<http://usermanuals.us>

<http://www.somanuals.com>

<http://www.4manuals.cc>

<http://www.manual-lib.com>

<http://www.404manual.com>

<http://www.luxmanual.com>

<http://aubethermostatmanual.com>

Golf course search by state

<http://golfingnear.com>

Email search by domain

<http://emailbydomain.com>

Auto manuals search

<http://auto.somanuals.com>

TV manuals search

<http://tv.somanuals.com>