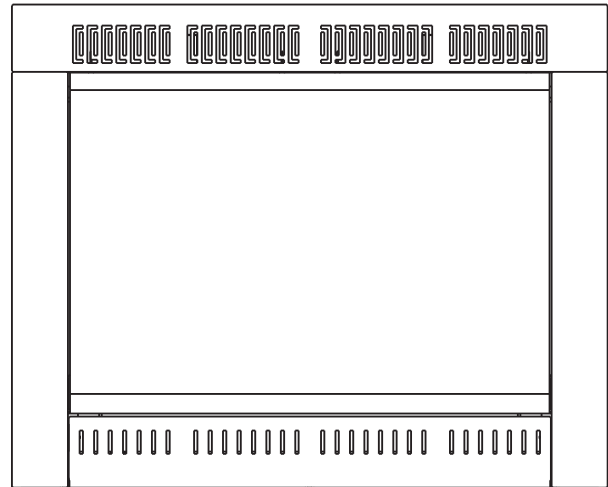




Electric Fireplace
Model: EF28



Homeowner's Installation and Operating Instructions

INSTALLER / CONSUMER SAFETY INFORMATION

**PLEASE READ THIS MANUAL BEFORE
INSTALLING AND USING APPLIANCE**

WARNING!

**IF THE INFORMATION IN THIS MANUAL IS NOT FOLLOWED
EXACTLY, AN ELECTRICAL SHOCK OR FIRE MAY RESULT
CAUSING PROPERTY DAMAGE, PERSONAL INJURY OR
LOSS OF LIFE.**

FOR YOUR SAFETY

**Service must be performed by a
qualified service agency.**

**DO NOT STORE OR USE
GASOLINE OR OTHER
FLAMMABLE VAPORS OR
LIQUIDS IN THE VICINITY OF
THIS OR ANY OTHER
APPLIANCE.**



**INSTALLER: Leave this manual with the appliance.
CONSUMER: Retain this manual for future reference.**

10010019 4/07 Rev. 3



NO NEED TO RETURN TO THE STORE

Questions With The Assembly?

Require Parts Information?

Product Under Manufacturer's Warranty?

**PAS BESOIN DE RETOURNER AU
MAGASIN**

Des questions sur l'assemblage?

De l'information sur les pièces?

Le produit est-il garanti par le fabricant?

**NO ES NECESARIO QUE REGRESE A LA
TIENDA**

¿Tiene alguna pregunta sobre el ensamble?

¿Necesita información sobre las partes?

¿El producto tiene garantía del fabricante?

Appelez-nous sans frais
États-Unis : 1-800-668-5323
Canada : 1-800-668-5323
Du lundi au vendredi, de 9 h
00 à 17 h 00 HNE

Call Toll-Free
Canada: 1-800-668-5323
USA: 1-800-668-5323
Monday to Friday 9:00 A.M. to
5:00 P.M. E.S.T.

Llame sin costo
Estados Unidos: 1-800-668-5323
Canadá: 1-800-668-5323
de lunes a viernes de 9:00 A.M. a
5:00 P.M. hora estándar del este

TO HELP US HELP YOU

Fill In The Information Below:

Retain This Owner's Manual And Proof Of Purchase For Future Reference

POUR NOUS AIDER À VOUS AIDER

Veillez remplir les données suivantes :

Conservez ce Manuel du propriétaire et preuve d'achat pour consultation ultérieure

PARA AYUDARNOS A AYUDARLE

Complete la siguiente información:

Guarde este Manual del usuario y Prueba de compra para futuras referencias

Model Number
Numéro du modèle
Número de modelo

Date of Purchase
Date d'achat
Fecha de compra

Product Serial No.
Numéro de série du produit
Número de serie del producto

MODEL NUMBER AND PRODUCT SERIAL NUMBER CAN BE FOUND ON THE CERTIFICATION LABEL OF YOUR APPLIANCE
LE NUMÉRO DU MODÈLE ET LE NUMÉRO DE SÉRIE DU PRODUIT SE TROUVENT SUR L'ÉTIQUETTE DE CERTIFICATION
DE VOTRE APPAREIL

EL NÚMERO DE MODELO Y EL NÚMERO DE SERIE DEL PRODUCTO SE ENCUENTRA EN LA ETIQUETA DE CERTIFI-
CACIÓN DE SU ELECTRODOMÉSTICO

Table of Contents

Safety Information	4
Installation Instructions	
Locating Your Fireplace	5
Clearance to Combustibles	5
Cabinet Installation	5
Fireplace Dimensions	5
Electrical Specifications	5
Electrical Connection	6
Grounding Instructions	6
Direct (Hard) Wiring Electric Fireplace	7
Fireplace Assembly	
Unpack the Appliance	8
Appliance Mounting	8
Decorative Detail	9
Operating Instructions	
Heater Operation	10
Thermal Protection	10
Maintenance	
Light Bulb Replacement	11
Care and Cleaning	11
Service	11
Electrical Wiring Diagram	13
Replacement Parts	14
Warranty	16

Thank you and congratulations on your purchase of a CFM Corporation electric fireplace.

IMPORTANT: Read all instructions and warnings carefully before starting installation. Failure to follow these instructions may result in a possible electric shock, fire hazard and will void the warranty.

**Please Read the Installation & Operating Instructions
Before Using This Appliance**

Safety Information

1. Read all instructions before using this appliance.
2. This appliance is hot when in use. To avoid burns, do not let bare skin touch hot surfaces. If provided, use handles when moving this appliance. Keep combustible materials, such as furniture, pillows, bedding, papers, clothes and curtains away at least 3' (914 mm) from the front of this appliance.



3. CAUTION: Extreme caution is necessary when any heater is used by or near children or invalids and whenever the heater is left operating unattended.

4. If possible, always unplug this appliance when not in use.
5. Do not operate any heater with a damaged cord or plug or after the appliance malfunctions, has been dropped or damaged in any manner.
6. Any repairs to this appliance should be carried out by a qualified service person.
7. Under no circumstances should this appliance be modified. Parts having to be removed for servicing must be replaced prior to operating this fireplace again.
8. Do not use outdoors.
9. This heater is not intended for use in bathrooms, laundry areas and similar indoor locations. Never locate this appliance where it may fall into a bathtub or other water container.
10. Do not run cord under carpeting. Do not cover cord with throw rugs, runners or the like. Arrange cord away from traffic areas and where it will not be tripped over.
11. To disconnect this appliance, turn controls to the off position, then remove plug from outlet.
12. Connect to properly grounded outlets only.
13. This appliance, when installed must be electrically grounded in accordance with local codes, with the current CSA C22.1 Canadian Electrical codes or for US installations, follow local codes and the National Electric Code, ANSI/NFPA No. 70.
14. Do not insert or allow foreign objects to enter any ventilation or exhaust opening as this may cause an electric shock, fire or damage the appliance.
15. To prevent possible fire, do not block air intakes or exhaust in any manner. Do not use on soft surfaces, like a bed, where openings may become blocked.
16. This appliance has hot and arcing or sparking parts inside. Do not use it in areas where gasoline, paint or flammable liquids are used or stored. This appliance should not be used as a drying rack for clothing, nor should Christmas stockings or decorations be hung on or near it.
17. Use this appliance only as described in this manual. Any other use not recommended by the manufacturer may cause fire, electric shock or injury to persons.
18. Avoid the use of an extension cord because of the risk of overheating the cord and the risk of fire. Extension cords are for temporary use only. If an extension cord must be used, it must be UL/CSA certified, rated at 15A (1875W), 125 V maximum with 14 AWG minimum and constructed of two current carrying conductors with ground. A heavy duty extension cord with the shortest length possible for this connection is recommended and must not be longer than 50 ft. (15.2 m). Do not coil or cover the extension cord.

**SAVE THESE
INSTRUCTIONS**

Installation Instructions

• Locating Your Fireplace

When choosing a location for your new fireplace, ensure the general instructions are followed. Also, for best effect, install the fireplace out of direct sunlight.

• Clearance to Combustibles

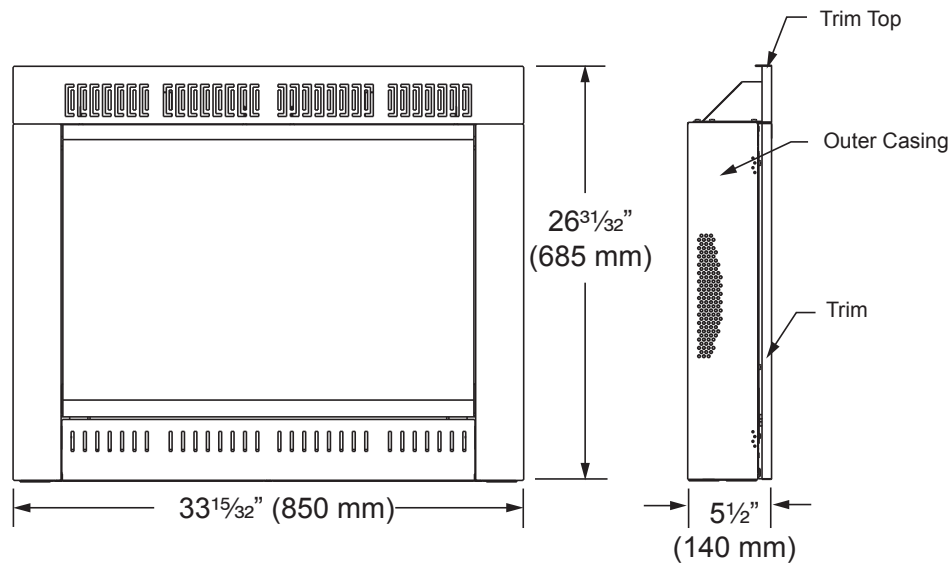
Sides (Trim).....	0" (0 mm)
Sides (Outer casing)	3" (76 mm)
Floor	0" (0 mm)
Front.....	36" (914 mm)
Trim Top	0" (0 mm)

• Cabinet Installation

Cabinets are available from your dealer, or may be supplied with your fireplace for fast, convenient installation of your fireplace against an existing wall.

For instructions on handling and assembly of your cabinet, refer to separate installation instructions that come with the cabinet.

• EF28 Fireplace Dimensions



• Electrical Specifications

Voltage	120V ac, 60 Hz
Total Amps	8.4 Amps
Total Watts	1050W
Heater Rating	2 x 500W
Illumination	2 x 20W Low Energy Bulb

• Unit: EFJR4G1

• Electrical Connection

A 15 amp, 120 Volt, 60 Hz circuit with a properly grounded outlet is required. Preferably, the fireplace will be on a dedicated circuit as other appliances on the same circuit may cause the circuit breaker to trip or the fuse to blow when the heater is in operation. The unit comes standard with a 6 ft. (1.8 m) long three wire cord, exiting the left side of the fireplace. Plan the installation to avoid the use of an extension cord. Extension cords are for temporary use only. If an extension cord must be used, it must be UL/CSA certified and constructed of two current carrying conductors with ground. A heavy duty extension cord with the shortest length possible for the connection is recommended and must not be longer than 50 ft. (15.2 m). Do not coil or cover the extension cord.



Electrical outlet wiring must comply with local building codes and other applicable regulations to reduce the risk of fire, electrical shock and injury to persons.

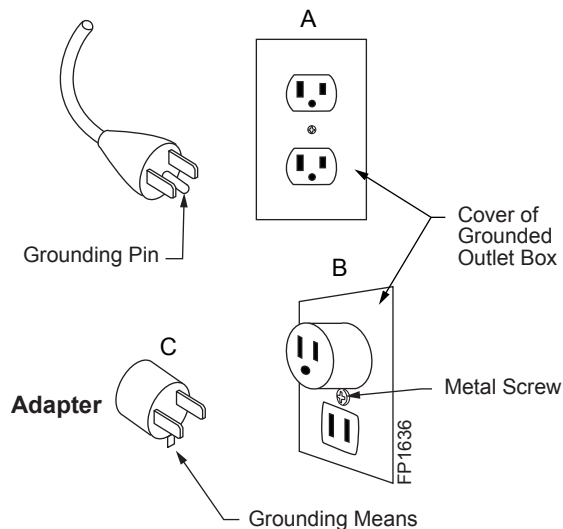


Do not use this fireplace if any part of it has been under water. Immediately call a qualified service technician to inspect the fireplace and replace any part of the electrical system which has been under water.

• Grounding Instructions

This heater is for use on 120 volts. The cord has a plug as shown at A in Figure 1. An adapter as shown at C is available for connecting three-blade grounding-type plugs to two-slot receptacles. The green grounding lug extending from the adapter must be connected to a permanent ground such as a properly grounded outlet box. The adapter should not be used if a three-slot grounded receptacle is available.

Figure 1



● Direct (Hard) Wiring Electric Fireplace

This instruction is intended as a guide for replacing the power cord supplied with the electric fireplace with direct (hard) wiring.

NOTE: When direct wiring this appliance, it must be connected to a 15 Amp dedicated circuit breaker or fuse in the electrical panel of the dwelling. The cable between the circuit/fuse panel and the fireplace must meet all local and national codes, and in no case shall the wires be less than 14 gauge.

1. Make sure the power to the unit has been turned off, the master ON/OFF switch located behind the lower door of the appliance on the right hand side is turned off, the power cord is unplugged from the wall outlet and the appliance has cooled down.
2. Follow Steps 1 through 7 in "Light Bulb Replacement" section.
3. Remove two (2) screws per side for the brackets and the fireplace screen to be removed and set aside.
4. Remove one (1) screw per side of the bulb housing assembly to remove and set aside.
5. Remove four (4) screws per side for the right side cover. This allows the cover to be opened for access to where the power cord enters the strain relief and the compartment.
6. Using wire cutters, gently cut the power cord inside the compartment, flush to the strain relief. Also, repeat for the power cord outside the compartment.
7. Back inside the compartment, gently separate the three (3) wires of the power cord into separate wires by gently pulling them apart. DO NOT use a knife, as this may expose bare conductors. The hot wire is connected to the main power switch and is terminated with a straight terminal connector. The neutral wire is connected at the circuit board's screw clamp terminal block. The green ground wire is attached to the ground stud. Use a 5/16" (8 mm) socket or wrench to remove the brass nut, brass lock washer and brass cup washer and set aside. Remove and discard the cut power cord ground wire.
8. Using a slotted screwdriver, remove the 7/8" (22 mm) diameter knockout above the old power cord strain relief.
9. Route the power cable from the breaker/fuse panel through the 7/8" (22 mm) diameter hole. Secure the cable to the compartment using an approved clamp. The wires should extend approximately 6" (152 mm) into the compartment.
10. Connect the ground wire from the power cable by wrapping it around the ground stud of the unit and securing it firmly with the brass cup washer, brass lock washer and brass nut.
11. Using wire strippers, strip approximately 5/8" (15 mm) from the ends of the hot and neutral wires. Using an approved wire nut, connect the hot lead (black) of the power cable to the power cord wire that ends at the main power switch. Similarly, using another wire nut, connect the neutral wire (white), of the power cable to the power cord ending at the screw clamp terminal block of the circuit board. It is recommended that the wire nuts be taped to the wires, using electrical tape, as an extra safety measure.
12. For extra safety measure, visually check and fix the wire routing appropriately. Refer to the wiring diagram on the unit or in the instruction manual if any wires have been dislodged.
13. Turn the power to the unit on at the breaker/fuse panel. Place the appliance into operation and check to make sure all of the systems are working properly.



WARNING: This procedure must be conducted by a qualified electrician, in accordance with National and local codes. In the U.S.A., the installation must conform to the National Electrical Code, ANSI/NFPA No. 70. In Canada, the installation must conform to the current CSA C22.1 Canadian Electrical Code.



WARNING: Make sure the power to the unit is off, and the power cord is unplugged from the wall outlet before proceeding with this conversion. Failure to do so may result in property damage, personal injury or loss of life.



WARNING: Make sure the power to the power cable has been turned off at the breaker/fuse panel before proceeding.

● Fireplace Assembly

● Unpack the Appliance

Carefully unpack the appliance. All instructions must be read before beginning installation.

Carton Contents

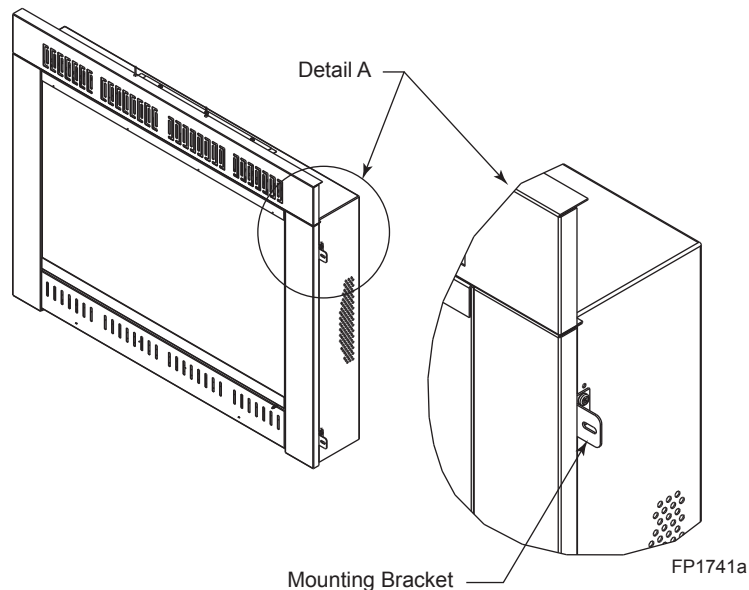
- 1, Electric heater main body
- 1, Remote control handset with battery
- 1, Mounting hardware kit [brackets (4), #8-18 x 3/8" long screws (4)]
- 1, Black/gray river stones pack
- 1, Ember lava rock
- 1, Installation instructions

● Appliance Mounting

The appliance is designed to fit into cabinets with either a 5/8" (16 mm) or 3/4" (19 mm) thick front face panel.

1. Install the mounting brackets (supplied mounting hardware kit) to the sides of the appliance using the appropriate mounting holes for the brackets to suit the thickness of the cabinet front panel. The set of holes closest to the front face of the appliances are for cabinets with approximately 5/8" (16 mm) thick front panel. (Fig. 2)

Figure 2

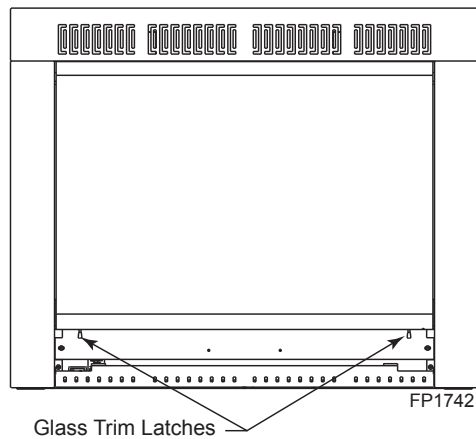


2. Carefully place the appliances into position from the rear of the cabinet and centered in the opening. Secure the appliance to the cabinet using appropriate screws or fasteners (not supplied).

CAUTION: Take care to avoid scratching the cabinet base.

• Decorative Detail

Included with your fireplace are black/gray river stones and a plastic form of ember lava rocks. Depending on your preference, and for more choices of decorative effects, either one of these may be placed on the existing plastic form of ember lava rock that is pre-installed in the fireplace. For the river stones, stack them on the ember bed towards the center and below the simulated flame for best effect. To remove the front glass, open the lower door, unlatch the glass trim assembly, pull towards you and lower the glass trim down and out. (Fig. 3)

Figure 3

● Operating Instructions

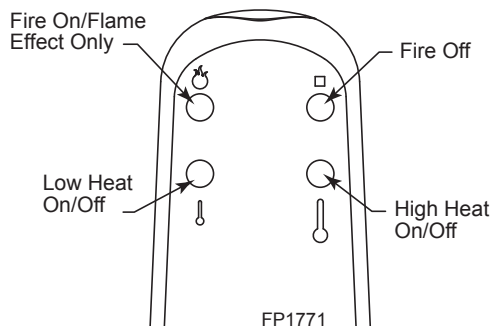
● Heater Operation

The heater is operated by the remote control handset. A master ON/OFF switch is located behind the lower door of the appliance on the right hand side.

All further operations are controlled by using the remote control handset. (Fig. 4)

1. Ensure the appliance is plugged in and switched on.
2. To turn the fire on, press the fire on/flame effect button.
3. For low heat, ensure the flame effect is on and press the low heat button once. To turn the low heat off, press the low heat button a second time. The fire will now be running with flame effect only.
4. For high heat, ensure the flame effect and low heat settings have been switched on. Press the high heat button. The high heat button will only work if the flame effect and low heat have already been switched on. To turn high heat off, press the high heat button a second time. The fire will now be running with low heat.
5. To place the fire in a standby mode at any time, press the fire off button.

Figure 4



Switch	Marking	Operation
Master ON/OFF	O I	On/Off. Depress to I, this supplies power to the appliance and places it in a standby mode.

● Thermal Protection

The fan heater is protected from high heater temperatures due to airflow restrictions by a temperature limit switch. Some of these restrictions may be due to accumulated dust or debris restricting air flow to the heater. If the limit switch is tripped, cool instead of warm air is the result. Turn off and unplug power to the unit and allow it to cool to the touch to investigate the cause of air flow restriction. It may take up to 5 minutes for the heater to cool down before the limit switch resets. Refer to the Maintenance section for access to the fan heater.

● Maintenance

WARNING

Before carrying out any maintenance, ensure the appliance is disconnected from the main power supply. If in doubt, seek the assistance of a qualified technician.

It is advisable to use genuine CFM Corporation replacement parts available from your authorized dealer.

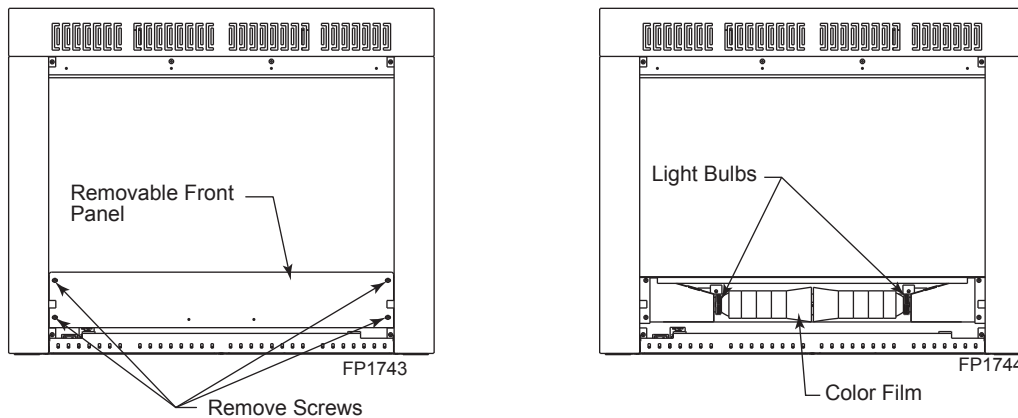
● Light Bulb Replacement

1. Disconnect the appliance from the main power supply.
2. Open the lower door and remove the glass trim assembly. (Refer to Page 9, Fig. 3)
3. Remove the river stones.
4. Remove the front panel by removing the four (4) screws. (Fig. 5)
5. Remove the color film from the bulb and unscrew the bulb from its holder.
6. Install new 20 watt light bulb. Refer to the Replacement Parts list for the recommended part.
7. Reassemble in reverse order.



WARNING: Only use the recommended 20 watt compact fluorescent light bulbs. **DO NOT** use incandescent light bulbs.

Figure 5



● Care and Cleaning

Always disconnect the appliance from the main power supply and allow to cool before any cleaning operation.

Metal painted parts may be cleaned using a clean, damp cloth. Never use any abrasive cleaners and chemical agents as these may damage the paint finish. Cleaning of the screen diffuser is to be done using only water and a lint free cloth. **DO NOT** use any abrasive household cleaners as these products will damage the diffusing screen.

● Service

Always disconnect the appliance from the main power supply and allow it to cool before any servicing operation.

The motors used on the fan heater and flame blower are pre-lubricated for extended bearing life and require no further lubrication. However, periodic cleaning/vacuuming of the appliance and around the air intake and exhaust is recommended. For service, unit must be removed from the cabinet prior to removal of trims and brackets for access to the motors and electronics. Refer to Figures 6 to 9 for access to the fan heater, flame blower, ribbon effect and circuit board. Other replacement parts are also accessible this way.

Figure 6: Remove Trim

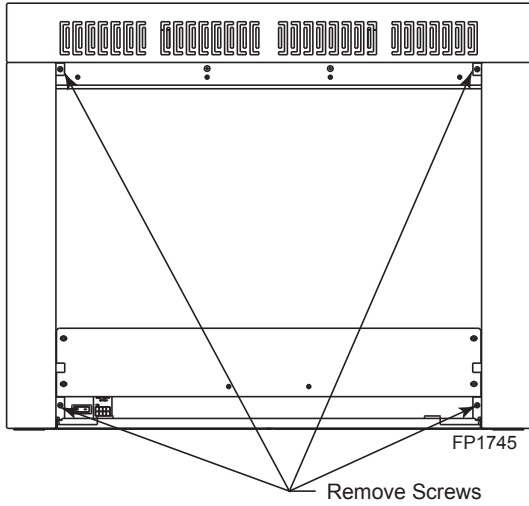


Figure 7: Remove Front Cover, Brackets and Diffusing Screen

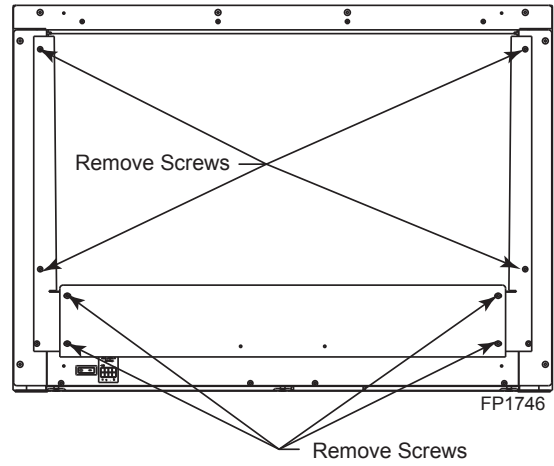


Figure 8: Fan Heater, Flame Blower, Ribbon Effect and Circuit Board Access

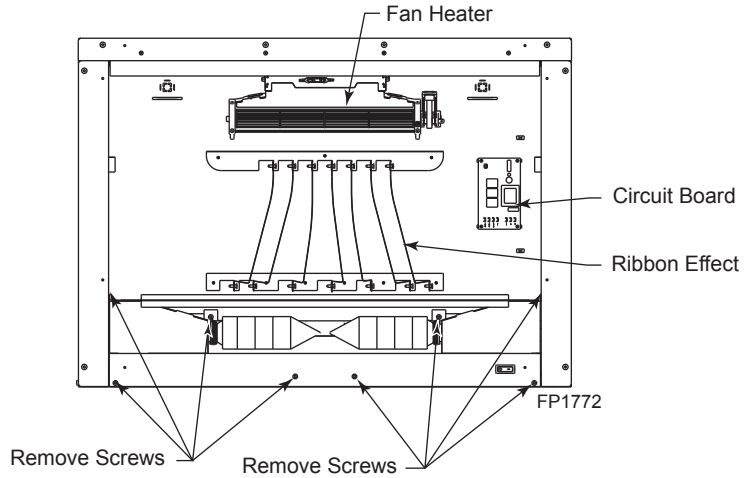
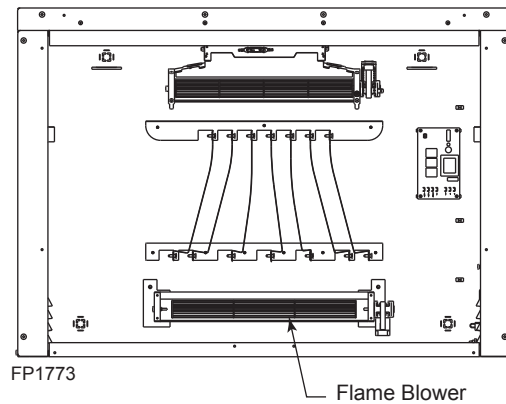


Figure 9: Flame Blower and Rocker Switch Access
(Remove screws shown in Figure 8)

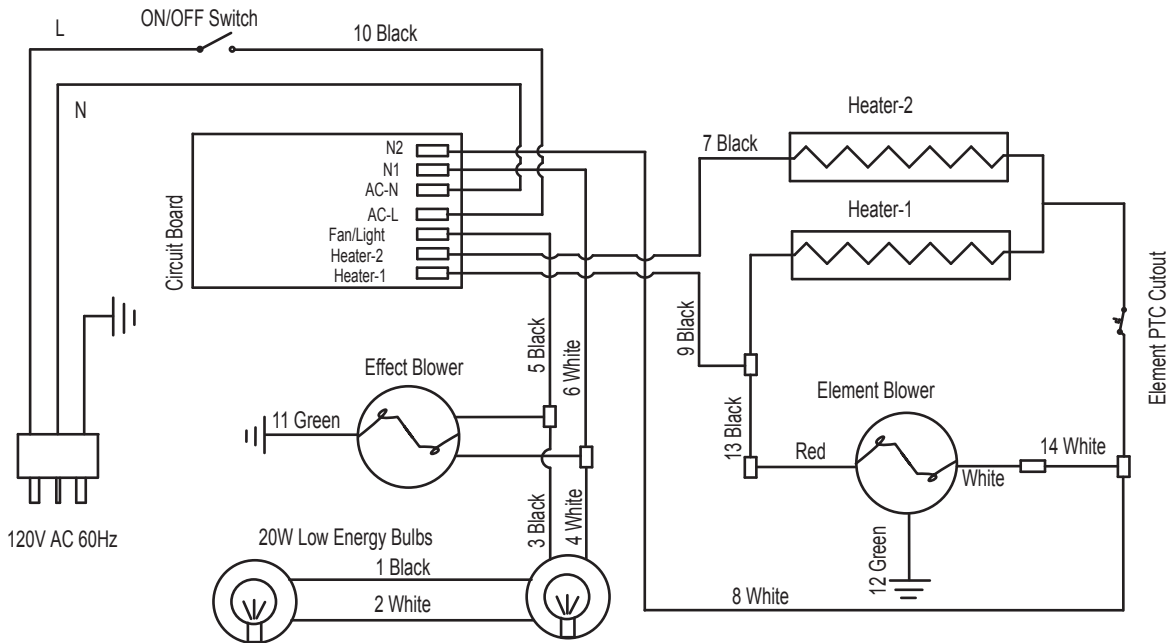


● Electrical Wiring Diagram

Any electrical repairs or rewiring of this unit should be carried out by a licensed electrician in accordance with national and local codes.



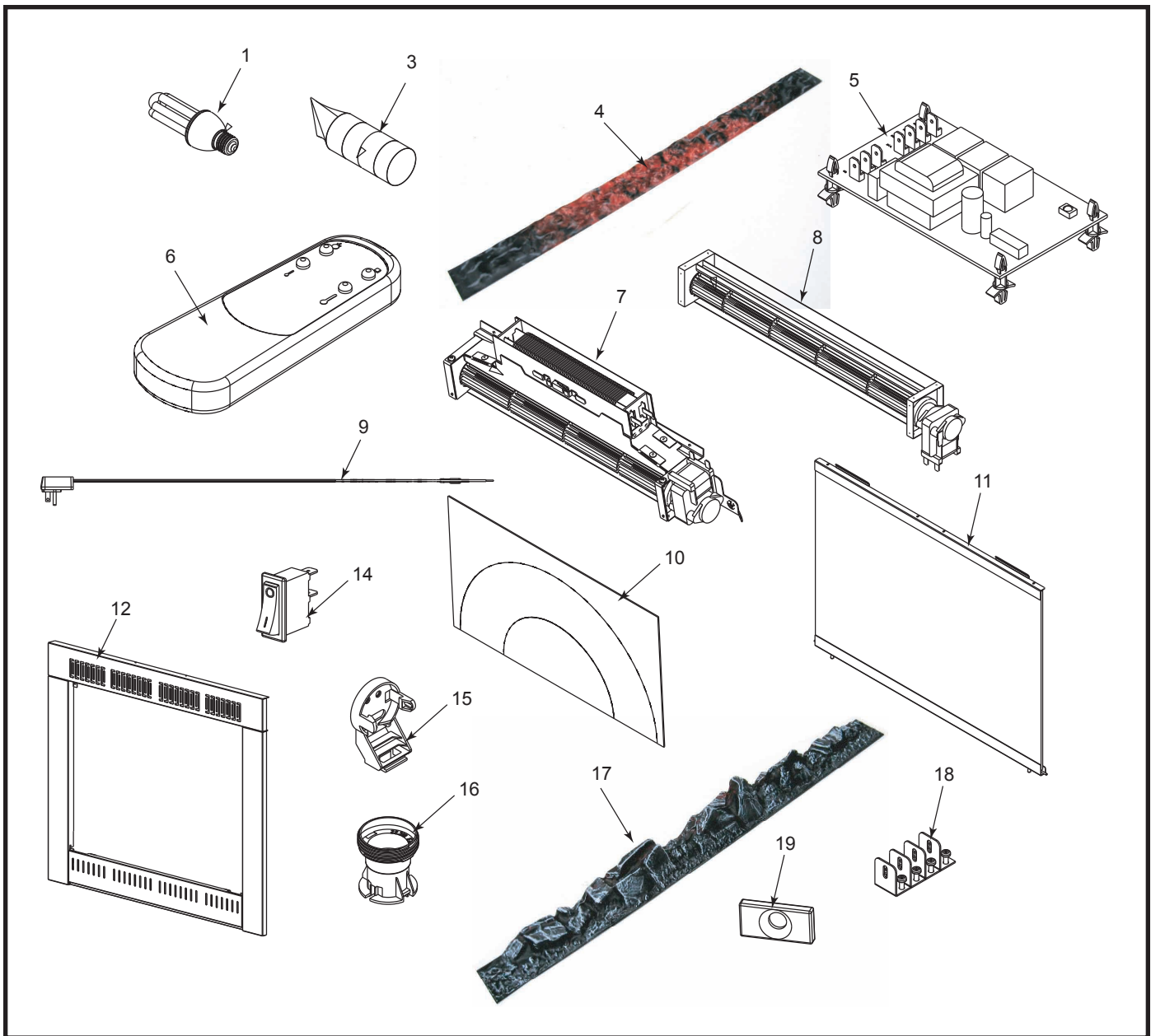
If repairing or replacing any electrical component or wiring, the original wire routing, color coding and securing locations must be followed.



WARNING: Disconnect Power Before Servicing



Any electrical re-wiring of this appliance must be done by a qualified electrician. This wiring must be done in accordance with local codes and/or in Canada with the current CSA C22.1 Canadian Electrical Code, and for US installations, the National Electrical Code ANSI/NFPA NO 70.



CFM Corporation reserves the right to make changes in design, materials, specifications, prices and discontinue colors and products at any time, without notice.

EF28 Replacement Parts

Ref.	Description	Part Number
1.	20W Energy Saving Bulb*	10009873
2.	Black/Gray River Stones (not shown)	10009898
3.	Colored Filter	10009874
4.	Ember Lava Rock (small)	10009897
5.	Circuit Board w/ Standoff Assy	10010031
6.	Transmitter w/ Carton Assy (Carton not shown)	10010018
7.	Blower w/ Heater Element Assy	10010012
8.	Flame Blower	10010006
9.	Power Cord	10010009
10.	Screen Diffuser	10009879

EF28 Replacement Parts (continued)

Ref.	Description	Part Number
11.	Glass Door Assembly	10009635
12.	Trim Assembly EF28	10010016
13.	Ribbon Effect (not shown)	10009839
14.	Rocker Switch	10009867
15.	Bulb Holder Clip	10009871
16.	Bulb Holder E26 Medium Base	10009872
17.	Ember Lava Rock (large)	10009896
18.	Mounting Hardware Kit	10009944
19.	Magnet	10010015
20.	Wiring Harness (not shown)	10010008

*Alternate: 20W Energy Saving Bulb - Sylvania CF20EL/830/MED/1

1 YEAR WARRANTY

For CFM Corporation Electric Fireplace

BASIC WARRANTY:

CFM Corporation (hereinafter referred to collectively as the "Company") warrants that your new electric fireplace is free from manufacturing and material defects for a period of one year from date of installation, subject to the following conditions and limitations.

1. This electric fireplace must be installed and operated at all times in accordance with the Installation and Operating instructions furnished with the product. Any alteration, willful abuse, accident, or misuse of the product shall nullify this warranty.
2. This warranty is non-transferrable, and is made to the original owner, provided that the purchase was made through an authorized supplier of the Company.
3. This warranty is limited to the repair or replacement of part(s) found to be defective in material or workmanship, provided that such part(s) have been subjected to normal conditions of use and service, after said defect is confirmed by the Company's inspection.
4. **This warranty does not cover the lightbulb(s) included with the fireplace.**
5. The Company may, at its discretion, fully discharge all obligations with respect to this warranty by refunding the wholesale price of the defective part(s).
6. Any installation, labor, construction, transportation, or other related costs/expenses arising from defective part(s), repair, replacement, or otherwise of same, will not be covered by this warranty, nor shall the Company assume responsibility for same. Further, the Company will not be responsible for any incidental, indirect, or consequential damages, except as provided by law.

7. All other warranties - expressed or implied - with respect to the product, its components and accessories, or any obligations/liabilities on the part of the Company are hereby expressly excluded.
8. The Company neither assumes, nor authorizes any third party to assume, on its behalf, any other liabilities with respect to the sale of this Vermont Castings product.
9. The warranties as outlined within this document do not apply to non-CFM Corporation accessories used in conjunction with the installation of this product.

This warranty is void if:

- a) The fireplace has been operated in atmospheres contaminated by chlorine, fluorine or other damaging chemicals.
- b) The fireplace is subjected to prolonged periods of dampness or condensation.
- c) Any alteration, willful abuse, accident, or misuse of the product.

IF WARRANTY SERVICE IS NEEDED . . .

- 1) Contact your supplier. Make sure you have your warranty, your sales receipt, and the model/serial number of your CFM Corporation product.
- 2) **DO NOT ATTEMPT TO DO ANY SERVICE WORK YOUR-SELF.**

CFM Corporation

410 Admiral Blvd. • Mississauga, Ontario, Canada L5T 2N6
800-668-5323 • www.cfmcorp.com

Free Manuals Download Website

<http://myh66.com>

<http://usermanuals.us>

<http://www.somanuals.com>

<http://www.4manuals.cc>

<http://www.manual-lib.com>

<http://www.404manual.com>

<http://www.luxmanual.com>

<http://aubethermostatmanual.com>

Golf course search by state

<http://golfingnear.com>

Email search by domain

<http://emailbydomain.com>

Auto manuals search

<http://auto.somanuals.com>

TV manuals search

<http://tv.somanuals.com>