

## 2AC14 Features and Benefits

- Durable compressors with internal pressure relief valves and inherent thermal protection
- High-quality condenser coil with copper tubing and enhanced louvered fin for maximum heat transfer capacity
- Top discharge directs hot air and sound away from living area and shrubbery
- All units are factory run tested
- Available with louvered panel or wire guard coil protection option
- Easy access to electrical panels, pre-wired for easy hook-up
- Hinged control panel allows simple access to internal components
- 45-degree service valves for easy hook-up and service
- Liquid line filter drier installed in every unit
- All units ETL, ETLIC approved and ARI listed
- Charged for 15 feet of interconnecting tubing
- Select models meet 76dBA and include compressor sound blanket
- Warranties:  
10 year limited parts warranty available (5 year compressor). See limited warranty document for details.



L & LC Models



B & BC Models

### Model Number Guide

	2	AC	14	B	36	P	-	1	A	
Refrigerant – 2 = R22										Minor Revision Code
AC = Split Condensing Unit										Major Revision Code
14 - 14 SEER Nominal										Voltage P - 208-230v/60hz
B = Wire Guard L = Louvered BC = Wire Guard + 76dBA LC = Louvered + 76dBA										Nominal Capacity 36 - 36,000 Btuh

### Electrical and Physical Data

Model	Voltage/ Hz/ Phase	Voltage Range	Min. Circuit Amp.	Maximum Over Current Device (amps)	Compressor		Fan Motor			Refrig. Charge (oz.)*	Weight (lbs.) Wire Guard/ Louvered
					Rated Load (Amps)	Locked Rotor (Amps)	Full Load Amps	Rated HP	Nom. RPM		
2AC14**18P	208-230/60/1	197 - 253	9.7	15	6.9	35	1.1	1/10	1075	106	185
2AC14**24P	208-230/60/1	197 - 253	11.6	20	8.4	39	1.1	1/10	1075	129	201
2AC14**30P	208-230/60/1	197 - 253	15.2	25	11.3	51	1.1	1/5	1075	154	227
2AC14**36P	208-230/60/1	197 - 253	17.2	30	12.9	61	1.1	1/5	1075	165	226
2AC14*42P	208-230/60/1	197 - 253	21.5	35	16.2	82	1.2	1/4	1075	204	262
2AC14*48P	208-230/60/1	197 - 253	22.6	35	17.1	100	1.2	1/4	1075	208	261
2AC14*60P	208-230/60/1	197 - 253	28.8	50	21.4	137	2.0	1/3	1075	264	270

\*\* = B, L, BC, LC

\* = B, L

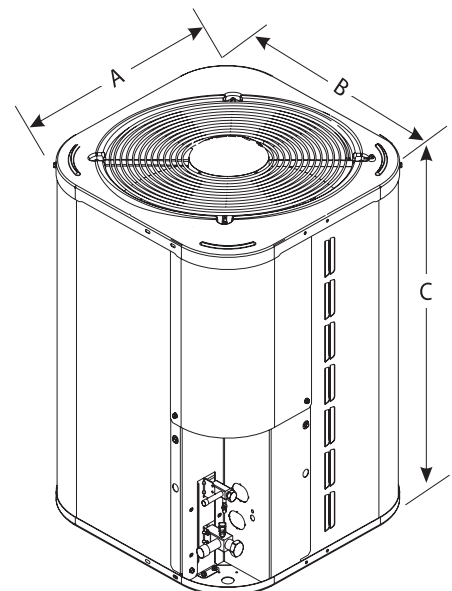
\* Factory charged for 15 feet of line set. Adjust per Installation Instructions

### Dimensions (in.) and Sound Ratings

Model	Dimensions			B, L Sound Rating (dBa)	BC, LC Sound Rating (dBa)
	A - width (in.)	B - depth (in.)	C - height (in.)		
2AC14**18P	30	30	25.5	80	76
2AC14**24P	30	30	25.5	80	76
2AC14**30P	30	30	33.5	79	76
2AC14**36P	30	30	33.5	80	76
2AC14*42P	30	30	41.5	76	---
2AC14*48P	30	30	41.5	78	---
2AC14*60P	30	30	41.5	80	---

\*\* = B, L, BC, LC

\* = B, L



## Cooling Performance with Evaporator Coils

Outdoor Model	Indoor Model		SEER	EER	Rated ARI Capacity <sup>1</sup>	Rated Sensible Capacity	CFM	Refrigerant Connection				Refrigerant Line Size		Indoor Metering Device	
	Piston or Field Installed TXV	Factory Installed TXV						Outdoor		Indoor		Suction	Liquid	Req'd Indoor <sup>2</sup> Orifice	Optional Field Installed Orifice
								Suction	Liquid	Suction	Liquid				
2AC14**18P	E(C,H,M,U)1P23N(A,B)+TXV	E(C,H,M,U)2T23N(A,B)	14.00	12.00	19,000	12,900	650	3/4	3/8	3/4	3/8	3/4	3/8	---	A2TXV01
	E(C,M,U)1P24N(A,B)+TXV	E(C,M,U)2T24NA	13.50	12.00	18,400	12,500	650	3/4	3/8	3/4	3/8	3/4	3/8	---	A2TXV01
2AC14**24P	E(C,H,M,U)1P23N(A,B)	E(C,H,M,U)2T23N(A,B)	14.00	12.50	23,600	17,600	850	3/4	3/8	3/4	3/8	3/4	3/8	---	A2TXV01
	E(C,H,M,U)1P29NA+TXV	E(C,H,M,U)2T29NA	14.00	12.50	23,800	17,600	850	3/4	3/8	3/4	3/8	3/4	3/8	---	A2TXV01
	E(C,M,U)1P24N(A,B)+TXV	E(C,M,U)2T24NA	13.50	12.00	22,600	16,700	845	3/4	3/8	3/4	3/8	3/4	3/8	---	A2TXV01
2AC14**30P	E(C,H,M,U)1P36N(A,B,C)+TXV	E(C,H,M,U)2T36N(A,B,C)	14.00	12.00	28,600	20,900	1050	3/4	3/8	3/4	3/8	3/4	3/8	---	A2TXV01
2AC14**36P	E(C,H,M,U)1P36N(A,B,C)+TXV	E(C,H,M,U)2T36N(A,B,C)	14.00	12.00	34,600	25,300	1250	3/4	3/8	3/4	3/8	3/4	3/8	---	A2TXV01
	E(C,H,M,U)1P43NB+TXV	E(C,H,M,U)2T43B	14.50	12.50	34,800	25,400	1250	3/4	3/8	7/8	3/8	3/4	3/8	---	A2TXV01
2AC14*42P	E(C,H,U)1P49NC+TXV	E(C,H,U)2T49NC	14.00	12.00	40,000	29,200	1450	7/8	3/8	7/8	3/8	7/8	3/8	---	A2TXV02
	E(C,H,U)1P62NC+TXV	E(C,H,U)2T62NC	14.00	11.50	40,000	29,200	1450	7/8	3/8	7/8	3/8	7/8	3/8	---	A2TXV02
	E(C,H,U)1P62ND+TXV	E(C,H,U)2T62ND	14.00	12.00	40,000	29,200	1450	7/8	3/8	7/8	3/8	7/8	3/8	---	A2TXV02
2AC14*48P	E(C,H,U)1P49NC+TXV	E(C,H,U)2T49NC	14.00	12.00	48,000	34,500	1650	7/8	3/8	7/8	3/8	7/8	3/8	---	A2TXV02
	E(C,M,U)1P62NC+TXV	E(C,H,U)2T62NC	14.00	12.00	48,000	34,500	1650	7/8	3/8	7/8	3/8	7/8	3/8	---	A2TXV02
	E(C,H,U)1P62ND+TXV	E(C,H,U)2T62ND	14.00	12.00	48,000	34,500	1650	7/8	3/8	7/8	3/8	7/8	3/8	---	A2TXV02
2AC14*60P	E(C,H,U)1P62NC+TXV	E(C,H,U)2T62NC	13.00	11.00	53,500	41,200	1950	7/8	3/8	7/8	3/8	1-1/8	3/8	---	A2TXV02
	E(C,H,U)1P62ND+TXV	E(C,H,U)2T62ND	13.00	11.00	53,000	40,800	1950	7/8	3/8	7/8	3/8	1-1/8	3/8	---	A2TXV02

\*\* = B, L, BC, LC  
\* = B, L

<sup>1</sup> Certified in accordance with Unitary Air Conditioner Certification Program, which is based on ARI Standard 210/240.

<sup>2</sup> Required to achieve ARI rating.

A blower time delay is required to achieve ARI rating.

### Cooling Performance with Air Handlers & Furnaces 18, 24, 30

Outdoor Model	Indoor Model		Variable Speed Furnace	SEER	EER	Rated ARI Capacity <sup>1</sup>	Rated Sensible Capacity	CFM	Refrigerant Connection				Refrigerant Line Size		Indoor Metering Device	
	Piston or Field Installed TXV	Factory Installed TXV							Outdoor		Indoor		Suction	Liquid	Req'd Indoor <sup>2</sup> Orifice	Optional Field Installed Orifice
									Suction	Liquid	Suction	Liquid				
2AC14**18P	RBCS2M18C****P+TXV	RBCS2M18C****T	—	14.50	12.50	19,000	12,900	650	3/4	3/8	3/4	3/8	3/4	3/8	—	A2TXV01
	RBCS2M24V****P+TXV	—	—	15.00	13.50	19,000	12,900	650	3/4	3/8	3/4	3/8	3/4	3/8	—	A2TXV01
	E(C,H,M,U)1P23NA+TXV	E(C,H,M,U)2T23NA	CMPEV050,075	15.00	13.00	19,000	12,900	650	3/4	3/8	3/4	3/8	3/4	3/8	—	A2TXV01
	E(C,H,M,U)1P23NA+TXV	E(C,H,M,U)2T23NA	MPGAV050,075	15.00	13.00	19,000	12,900	650	3/4	3/8	3/4	3/8	3/4	3/8	—	A2TXV01
	E(C,M,U)1P24NA+TXV	E(C,M,U)2T24NA	CMPEV050,075	15.00	13.00	18,400	12,500	650	3/4	3/8	3/4	3/8	3/4	3/8	—	A2TXV01
	E(C,M,U)1P24NA+TXV	E(C,M,U)2T24NA	MPGAV050,075	15.00	13.00	18,400	12,500	650	3/4	3/8	3/4	3/8	3/4	3/8	—	A2TXV01
2AC14**24P	RBCS2M24C****P+TXV	RBCS2M24C****T	—	14.50	12.50	23,800	17,600	850	3/4	3/8	3/4	3/8	3/4	3/8	—	A2TXV01
	RBCS2M24V****P+TXV	—	—	15.00	13.50	24,000	17,600	850	3/4	3/8	3/4	3/8	3/4	3/8	—	A2TXV01
	E(C,H,M,U)1P23NA+TXV	E(C,H,M,U)2T23NA	CMPEV050,075	15.00	13.50	23,600	17,500	850	3/4	3/8	3/4	3/8	3/4	3/8	—	A2TXV01
	E(C,H,M,U)1P23NA+TXV	E(C,H,M,U)2T23NA	MPGAV050,075	15.00	13.50	23,600	17,500	850	3/4	3/8	3/4	3/8	3/4	3/8	—	A2TXV01
	E(C,H,M,U)1P29NA+TXV	E(C,M,U)2T29NA	CMPEV050,075	15.00	13.50	23,800	17,600	850	3/4	3/8	3/4	3/8	3/4	3/8	—	A2TXV01
	E(C,H,M,U)1P29NA+TXV	E(C,M,U)2T29NA	MPGAV050,075	15.00	13.50	23,800	17,600	850	3/4	3/8	3/4	3/8	3/4	3/8	—	A2TXV01
	E(C,M,U)1P24NA+TXV	E(C,M,U)2T24NA	CMPEV050,075	15.00	13.00	22,600	16,700	845	3/4	3/8	3/4	3/8	3/4	3/8	—	A2TXV01
	E(C,M,U)1P24NA+TXV	E(C,M,U)2T24NA	MPGAV050,075	15.00	13.00	22,600	16,700	845	3/4	3/8	3/4	3/8	3/4	3/8	—	A2TXV01
2AC14**30P	RBCS2M30C****P+TXV	RBCS2M30C****T	—	14.00	12.50	28,600	20,900	1050	3/4	3/8	3/4	3/8	3/4	3/8	—	A2TXV01
	RBCS2M36V****P+TXV	—	—	15.00	13.50	29,000	21,200	1050	3/4	3/8	3/4	3/8	3/4	3/8	—	A2TXV01
	E(C,H,M,U)1P36NB+TXV	E(C,H,M,U)2T36NB	CMPEV100	15.00	13.00	28,600	20,900	1050	3/4	3/8	3/4	3/8	3/4	3/8	—	A2TXV01
	E(C,H,M,U)1P36NB+TXV	E(C,H,M,U)2T36NB	MPGAV100	15.00	13.00	28,600	20,900	1050	3/4	3/8	3/4	3/8	3/4	3/8	—	A2TXV01
	E(C,M,U)1P36NA+TXV	E(C,M,U)2T36NA	CMPEV050,075	15.00	13.00	28,600	20,900	1050	3/4	3/8	3/4	3/8	3/4	3/8	—	A2TXV01
	E(C,M,U)1P36NA+TXV	E(C,M,U)2T36NA	MPGAV050,075	15.00	13.00	28,600	20,900	1050	3/4	3/8	3/4	3/8	3/4	3/8	—	A2TXV01

\*\* = B, L, LC  
\* = B, L

<sup>1</sup>Certified in accordance with Unitary Air Conditioner Certification Program, which is based on ARI Standard 210/240.

<sup>2</sup>Required to achieve ARI rating.

A blower time delay is required to achieve ARI rating. This feature is standard on all Allied Air Enterprises furnace and air handler products.

Cooling Performance with Air Handlers & Furnaces 36, 42, 48, 60

Outdoor Model	Indoor Model		Variable Speed Furnace	SEER	EER	Rated ARI Capacity <sup>1</sup>	Rated Sensible Capacity	CFM	Refrigerant Connection				Refrigerant Line Size		Indoor Metering Device	
	Piston or Field Installed TXV	Factory Installed TXV							Outdoor		Indoor		Suction	Liquid	Req'd Indoor <sup>2</sup> Orifice	Optional Field Installed Orifice
									Suction	Liquid	Suction	Liquid				
2AC14**36P	RBCS2M36C****P+TXV	RBCS2M36C****T	—	14.00	12.50	34,800	25,400	1250	3/4	3/8	3/4	3/8	3/4	3/8	—	A2TXV01
	RBCS2M36V****P+TXV	—	—	15.00	13.50	35,000	25,600	1250	3/4	3/8	3/4	3/8	3/4	3/8	—	A2TXV01
	E(C,H,M,U)1P36NB+TXV	E(C,H,M,U)2T36NB	CMPEV100	15.00	13.00	34,600	25,200	1250	3/4	3/8	3/4	3/8	3/4	3/8	—	A2TXV01
	E(C,H,M,U)1P36NB+TXV	E(C,H,M,U)2T36NB	MPGAV100	15.00	13.00	34,600	25,200	1250	3/4	3/8	3/4	3/8	3/4	3/8	—	A2TXV01
	E(C,H,M,U)1P43NB+TXV	E(C,H,M,U)2T43NB	CMPEV100	15.00	13.50	34,800	25,400	1250	3/4	3/8	3/4	3/8	3/4	3/8	—	A2TXV01
	E(C,H,M,U)1P43NB+TXV	E(C,H,M,U)2T43NB	MPGAV100	15.00	13.50	34,800	25,400	1250	3/4	3/8	3/4	3/8	3/4	3/8	—	A2TXV01
	E(C,M,U)1P36NA+TXV	E(C,M,U)2T36NA	CMPEV050,075	15.00	13.00	34,600	25,300	1250	3/4	3/8	3/4	3/8	3/4	3/8	—	A2TXV01
E(C,M,U)1P36NA+TXV	E(C,M,U)2T36NA	MPGAV050,075	15.00	13.00	34,600	25,300	1250	3/4	3/8	3/4	3/8	3/4	3/8	—	A2TXV01	
2AC14*42P	RBCS2M42C****P+TXV	RBCS2M42C****T	—	14.00	12.00	40,000	29,200	1450	7/8	3/8	7/8	3/8	7/8	3/8	—	A2TXV02
	RBCS2M42V****P+TXV	—	—	15.00	13.00	40,500	29,565	1450	7/8	3/8	7/8	3/8	7/8	3/8	—	A2TXV02
	E(C,H,U)1P49NC+TXV	E(C,H,U)2T49NC	CMPEV0125	15.00	13.00	40,000	29,200	1450	7/8	3/8	7/8	3/8	7/8	3/8	—	A2TXV02
	E(C,H,U)1P49NC+TXV	E(C,H,U)2T49NC	MPGAV0125	15.00	13.00	40,000	29,200	1450	7/8	3/8	7/8	3/8	7/8	3/8	—	A2TXV02
	E(C,H,U)1P62NC+TXV	E(C,H,U)2T62NC	CMPEV125	15.00	13.00	40,000	29,200	1450	7/8	3/8	7/8	3/8	7/8	3/8	—	A2TXV02
	E(C,H,U)1P62NC+TXV	E(C,H,U)2T62NC	MPGAV125	15.00	13.00	40,000	29,200	1450	7/8	3/8	7/8	3/8	7/8	3/8	—	A2TXV02
2AC14*48P	RBCS2M48C****P+TXV	RBCS2M48C****T	—	14.50	12.50	48,000	34,600	1650	7/8	3/8	7/8	3/8	7/8	3/8	—	A2TXV02
	RBCS2M48V****P+TXV	—	—	15.00	13.00	48,000	34,600	1650	7/8	3/8	7/8	3/8	7/8	3/8	—	A2TXV02
	E(C,H,U)1P49NC+TXV	E(C,H,U)2T49NC	CMPEV125	14.50	12.50	48,000	34,600	1650	7/8	3/8	7/8	3/8	7/8	3/8	—	A2TXV02
	E(C,H,U)1P49NC+TXV	E(C,H,U)2T49NC	MPGAV125	14.50	12.50	48,000	34,600	1650	7/8	3/8	7/8	3/8	7/8	3/8	—	A2TXV02
	E(C,H,U)1P62NC+TXV	E(C,H,U)2T62NC	CMPEV125	14.50	12.50	54,000	34,600	1650	7/8	3/8	7/8	3/8	7/8	3/8	—	A2TXV02
	E(C,H,U)1P62NC+TXV	E(C,H,U)2T62NC	MPGAV125	14.50	12.50	54,000	34,600	1650	7/8	3/8	7/8	3/8	7/8	3/8	—	A2TXV02
2AC14*60P	RBCS2M60V****P+TXV	—	—	14.00	12.00	54,000	41,600	1950	7/8	3/8	7/8	3/8	1-1/8	3/8	—	A2TXV02
	E(C,H,U)1P62NC+TXV	E(C,H,U)2T62NC	MPGAV125	13.50	11.50	54,000	41,600	1950	7/8	3/8	7/8	3/8	1-1/8	3/8	—	A2TXV02

\*\* = B, L, BC, LC  
\* = B, L

<sup>1</sup>Certified in accordance with Unitary Air Conditioner Certification Program, which is based on ARI Standard 210/240.

<sup>2</sup>Required to achieve ARI rating.

A blower time delay is required to achieve ARI rating. This feature is standard on all Allied Air Enterprises furnace and air handler products.

### Cooling Performance with Extended Ratings

Outdoor Model	Indoor Model		Indoor Temp DB/WB °F	Outdoor Temp - DB°F														
				65			82			95			105			115		
	Piston or Field Installed TXV	Factory Installed TXV		Btuh	S/T	kW	Btuh	S/T	kW	Btuh	S/T	kW	Btuh	S/T	kW	Btuh	S/T	kW
2AC14**18P	E(C,H,M,U) 1P23(A,B)+TXV	E(C,H,M,U) 2T23(A,B) 1P23(A,B)+TXV	85/72	21,600	.65	1.38	20,700	.70	1.57	20,200	.72	1.65	19,200	.75	1.71	17,700	.75	1.77
			80/67	20,400	.67	1.33	19,500	.72	1.51	19,000	.74	1.58	18,000	.77	1.65	16,700	.77	1.70
			75/63	18,900	.72	1.28	18,000	.77	1.45	17,600	.79	1.52	16,700	.82	1.58	15,500	.83	1.64
2AC14**24P	E(C,H,M,U) 1P23(A,B)+TXV	E(C,H,M,U) 2T23N(A,B)	85/72	26,900	.70	1.66	25,700	.74	1.87	25,000	.77	1.96	23,800	.80	2.03	22,000	.80	2.09
			80/67	25,400	.72	1.61	24,200	.77	1.81	23,600	.79	1.89	22,400	.82	1.96	20,800	.83	2.02
			75/63	23,500	.77	1.56	22,400	.82	1.74	21,900	.84	1.82	20,800	.88	1.89	19,300	.88	1.95
2AC14**30P	E(C,H,M,U) 1P36(A,B,C)+TXV	E(C,H,M,U) 2T36N(A,B,C)	85/72	32,600	.65	2.10	31,100	.69	2.36	30,400	.71	2.47	28,800	.74	2.56	26,700	.74	2.65
			80/67	30,700	.67	2.03	29,300	.71	2.28	28,800	.73	2.38	27,200	.76	2.47	25,200	.76	2.55
			75/63	28,500	.71	1.96	27,200	.76	2.20	26,500	.78	2.30	25,200	.81	2.38	23,300	.82	2.46
2AC14**36P	E(C,H,M,U) 1P36(A,B,C)+TXV	E(C,H,M,U) 2T36N(A,B,C)	85/72	39,500	.64	2.53	37,600	.68	2.86	36,700	.71	2.99	34,900	.73	3.10	32,300	.74	3.20
			80/67	37,200	.66	2.45	35,500	.70	2.76	34,600	.73	2.88	32,800	.75	2.99	30,500	.76	3.08
			75/63	34,500	.71	2.37	32,900	.75	2.86	32,100	.76	2.78	30,500	.81	2.89	28,200	.81	2.97
2AC14*42P	E(C,H,U) 1P49NC+TXV	E(C,H,U) 2T49NC	85/72	45,600	.64	3.92	43,500	.68	3.30	42,500	.70	3.46	40,300	.73	3.59	37,400	.74	3.70
			80/67	43,000	.66	3.83	41,000	.70	3.18	40,000	.73	3.33	38,000	.75	3.46	35,200	.76	3.57
			75/63	39,800	.71	3.73	38,000	.75	3.07	37,100	.78	3.22	35,000	.81	3.34	32,600	.81	3.44
2AC14*48P	E(C,H,U) 1P349NC+TXV	E(C,H,U) 2T49NC	85/72	54,700	.68	3.41	52,200	.72	3.95	51,000	.75	4.18	48,400	.78	4.37	44,800	.78	3.54
			80/67	51,600	.70	3.27	49,200	.75	3.79	48,000	.77	4.00	45,600	.80	4.18	42,200	.81	4.34
			75/63	47,800	.75	3.13	45,600	.80	3.62	44,500	.82	3.83	42,300	.85	4.00	39,100	.86	4.15
2AC14*60P	E(C,H,U) 1P62NC+TXV	E(C,H,U) 2T62NC	85/72	61,100	.68	4.27	58,200	.73	4.82	56,800	.75	5.04	54,000	.78	5.24	50,000	.78	5.40
			80/67	57,500	.86	4.02	54,800	.75	4.65	53,500	.77	4.86	50,800	.80	5.05	47,100	.81	5.20
			75/63	51,800	.84	3.92	50,800	.80	4.49	49,600	.82	4.69	45,700	.84	4.77	43,600	.86	5.02

\*\* = B, L, BC, LC  
\* = B, L

### Accessories

Description	Used with	Catalog #
Hard Start	2AC14**18, 24, 30, *42	12W19 (Factory Installed)
Hard Start	2AC14**36, *48, *60	12W20
Low Pressure Switch	All models	14W08
High Pressure Switch	All models	14W09
Low Ambient	All models	14W11
Crankcase Heater	2AC14**18, 24, 30, *42	14W04
Crankcase Heater	2AC14**36, *48, *60	14W05
Short Cycle Protection	All models	14W07
Liquid Line Solenoid	All models	20443001
Compressor Sound Blanket	2AC14**18, 24, 30, *42	14W00
Compressor Sound Blanket	2AC14**36, *48, *60	14W03
TXV Kit	2AC14**18, 24, 30, 36	A2TXV01
TXV Kit	2AC14*42, 48, 60	A2TXV02

**Duane**  
AIR CONDITIONING  
AND HEATING

www.ducanevac.com  
1-800-448-5872



All specifications and illustrations subject to change without notice and without incurring obligations.

## Free Manuals Download Website

<http://myh66.com>

<http://usermanuals.us>

<http://www.somanuals.com>

<http://www.4manuals.cc>

<http://www.manual-lib.com>

<http://www.404manual.com>

<http://www.luxmanual.com>

<http://aubethermostatmanual.com>

Golf course search by state

<http://golfingnear.com>

Email search by domain

<http://emailbydomain.com>

Auto manuals search

<http://auto.somanuals.com>

TV manuals search

<http://tv.somanuals.com>