

FEATURES

All coils are compatible with R22 or R410A
All drain pans are compatible with UV lights

EC1P/EM1P

Cased
Upflow/Counterflow (EC1P) for application flexibility
Upflow/Horizontal (EM1P) for application flexibility
Microban® antimicrobial additive in the drain pan to resist mold and mildew growth
One of the lowest water retention drain pans in the industry to minimize mold and mildew growth
Insulated galvanized steel coil case with durable embossed finish
Interlocking door assemblies and snug line seal grommets to minimize air leakage
External cabinet mounted distributor body designed for easy changing of orifice sizes and fast TXV connections
Foil-face insulation for easy cleaning
Two dual drain connections on front of coil for installation flexibility of drain lines around furnace vent and utility connections
Side drain pan built in for easy horizontal coil installations (EM1P only)
Tubing located at door split for easy coil service or coil cleaning

EU1P

Uncased
Upflow/Counterflow for application flexibility
Microban® antimicrobial additive in the drain pan to resist mold and mildew growth
One of the lowest water retention drain pans in the industry to minimize mold and mildew growth
Two dual drain connections on front of coil for installation flexibility of drain lines around furnace vent and utility connections
Orifice assembly designed for easy changing of orifice sizes and fast TXV connections

EH1P

Cased
Dedicated horizontal
Microban® antimicrobial additive in the drain pan to resist mold and mildew growth
Drain pan has trough to fully drain condensate away
Insulated galvanized steel coil case with durable embossed finish
Top, front, and back panels are removable for easy service or coil cleaning
Dual condensate drains on front and back of coil allows flexibility of placement to accommodate left or right airflow furnaces
Foil faced insulation for easy cleaning
Refrigerant connections on top of coil for ease of installation in left or right airflow furnaces

Warranty - 5- year limited



ARI Certified

Certification applies only when used with proper components as listed with ARI.

Ducane Evaporator Coils

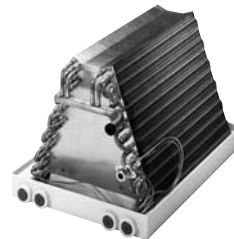
EC1P



EM1P



EU1P



EH1P



Ducane®
AIR CONDITIONING
AND HEATING

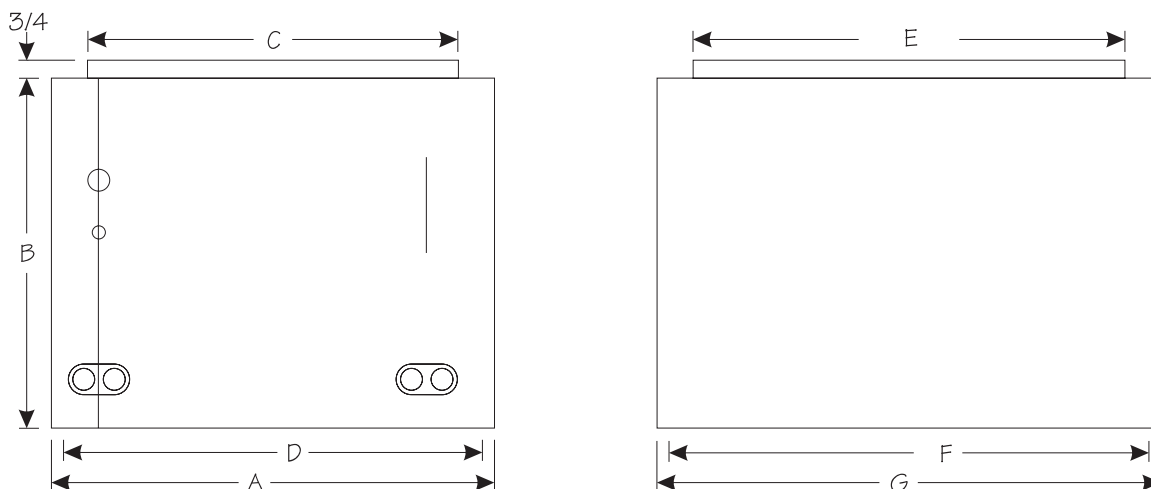
Model Number Guide

E	U	1P	18	A	N	-	1
E = Evaporator Coil	U = Uncased C = Cased	M = Multi-position H = Horizontal	Expansion Device 1P = Piston 2T = R22 AC or HP TXV w/check valve 4T = R410a AC or HP TXV w/check valve				Series Color N = Not Applicable M = Galvanized Embossed
			Nominal Capacity 18,19 = 1.5 ton 23, 24 = 2.0 ton 29, 30 = 2.5 ton 35, 36 = 3.0 ton 42 = 3.5 ton 43 = 3.5/4.0 ton 48, 49, 50 = 4.0 ton 60, 61, 62 = 5.0 ton				Matching Gas Furnace Cabinet Width NA = 13.5 NB = 17 NC = 20.5 ND = 24.5

Coil Pressure Drop

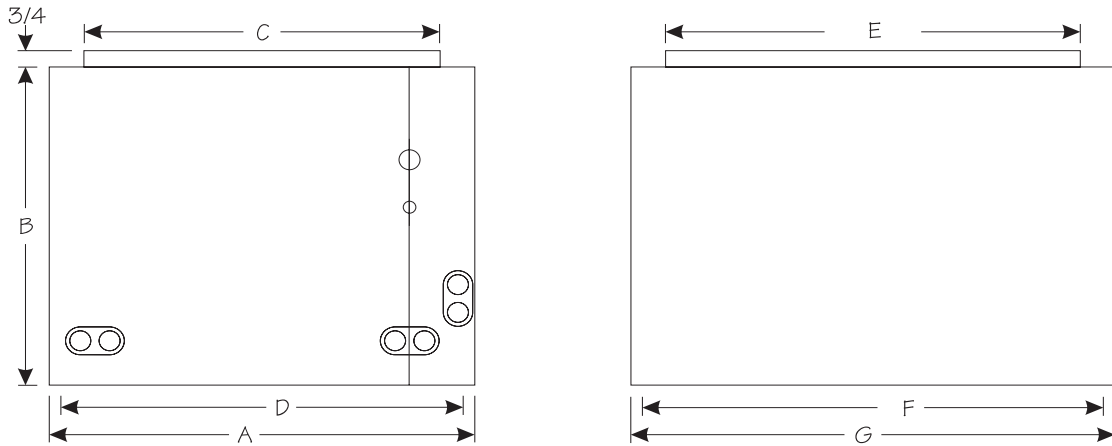
Evaporator	Wet Coil Pressure Drop CFM									
	600	800	1000	1200	1400	1600	1800	2000	2200	2400
E**19A	.09	.16	.24	--	--	--	--	--	--	--
E**18A,B	.17	.25	.39	.52	--	--	--	--	--	--
E**23A	.10	.18	.26	.36	--	--	--	--	--	--
E**23B	.09	.15	.22	.31	--	--	--	--	--	--
E**24A,B	.12	.21	.30	.43	.55	--	--	--	--	--
E**29A	.08	.13	.20	.28	.37	--	--	--	--	--
E**29B	.06	.11	.16	.23	.31	--	--	--	--	--
E**30A	--	.14	.21	.30	.39	.51	--	--	--	--
E**30B,C	--	.11	.16	.21	.28	.34	--	--	--	--
E**36A	--	.14	.21	.30	.39	.51	--	--	--	--
E**36B	--	.11	.16	.21	.28	.34	--	--	--	--
E**36C	--	.06	.11	.17	.23	.29	--	--	--	--
E**43B	--	--	.13	.18	.24	.31	.40	--	--	--
E**43C	--	--	.09	.12	.16	.20	.24	--	--	--
E**48B	--	--	.13	.18	.24	.31	.40	--	--	--
E**48C	--	--	--	.17	.23	.29	.37	.43	--	--
E**49C	--	--	--	.12	.17	.22	.28	.35	--	--
E**50C	--	--	--	.17	.23	.29	.37	.43	--	--
E**60D	--	--	--	--	.15	.18	.21	.27	.32	.37
E**62C	--	--	--	--	.19	.23	.28	.34	.40	.46
E**62D	--	--	--	--	.15	.18	.21	.27	.32	.37

Dimensions - Cased



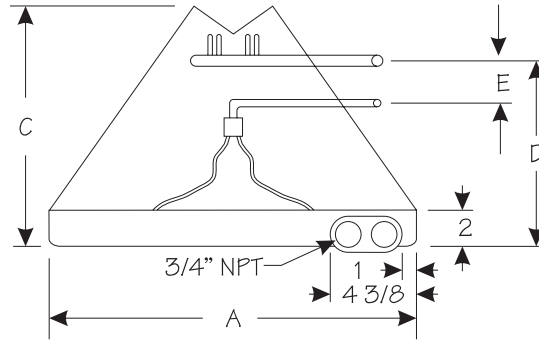
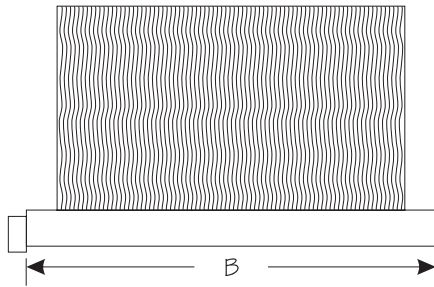
Model	A (in.)	B (in.)	C (in.)	D (in.)	E (in.)	F (in.)	G (in.)	Orifice	Refrigerant Connections		Weight (lbs.)
									Liquid (in.)	Vapor (in.)	
EC1P19NAM	13 1/2	16 1/2	12	12 1/2	20	21	21 1/2	55	3/8	3/4	25
EC1P18NAM	13 1/2	16 1/2	12	12 1/2	20	21	21 1/2	55	3/8	3/4	33
EC1P23NAM	13 1/2	18 1/2	12	12 1/2	20	21	21 1/2	67	3/8	3/4	32
EC1P23NBM	17 1/4	18 1/2	15 3/4	16 1/4	20	21	21 1/2	67	3/8	3/4	32
EC1P24NAM	13 1/2	20 1/2	12	12 1/2	20	21	21 1/2	67	3/8	3/4	24
EC1P29NAM	13 1/2	25 1/2	12	12 1/2	20	21	21 1/2	71	3/8	3/4	40
EC1P30NAM	13 1/2	25 1/2	12	12 1/2	20	21	21 1/2	71	3/8	3/4	40
EC1P30NBM	17 1/4	25 1/2	15 3/4	16 1/4	20	21	21 1/2	71	3/8	3/4	40
EC1P36NAM	13 1/2	25 1/2	12	12 1/2	20	21	21 1/2	78	3/8	3/4	55
EC1P36NBM	17 1/4	25 1/2	15 3/4	16 1/4	20	21	21 1/2	78	3/8	3/4	55
EC1P36NCM	20 1/2	25 1/2	19	19 1/2	20	21	21 1/2	78	3/8	3/4	55
EC1P43NBM	17 1/4	27 1/2	15 3/4	16 1/4	20	21	21 1/2	82	3/8	7/8	59
EC1P48NBM	17 1/4	25 1/2	15 3/4	16 1/4	20	21	21 1/2	90	3/8	7/8	46
EC1P50NCM	20 1/2	27 1/2	19	19 1/2	20	21	21 1/2	90	3/8	7/8	75
EC1P49NCM	20 1/2	29 1/2	19	19 1/2	20 1/2	21 1/2	22	90	3/8	7/8	60
EC1P59DM	25 1/2	28 1/2	24	24 1/2	18	20 1/2	21	90	3/8	7/8	76
EC1P62NCM	20 1/2	31 1/2	19	19 1/2	20 1/2	21 1/2	22	101	3/8	7/8	85
EC1P60NDM	24 1/2	25 1/2	23	23 1/2	19 1/2	20 1/2	21	101	3/8	7/8	85
EC1P62NDM	24 1/2	29 1/2	23	23 1/2	19 1/2	20 1/2	21	101	3/8	7/8	85

Dimensions - Multi-Position

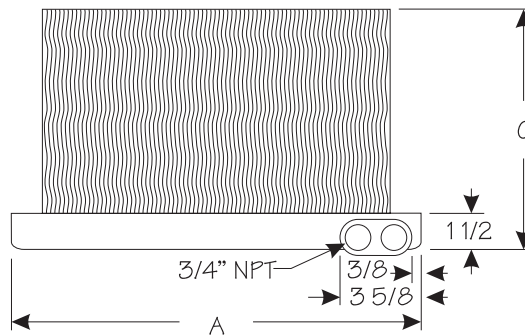
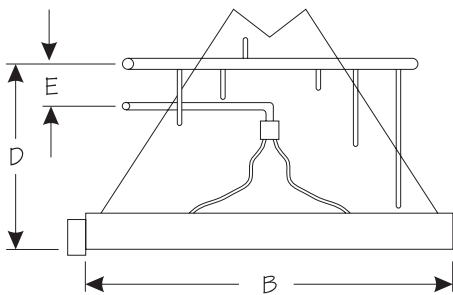


Model	A (in.)	B (in.)	C (in.)	D (in.)	E (in.)	F (in.)	G (in.)	Orifice	Refrigeration Connections		Weight (lbs.)
									Liquid (in.)	Vapor (in.)	
EM1P19NAM-1	13 1/2	25 1/2	12	12 1/2	20	21	21 1/2	.055	3/8	3/4	33
EM1P18NAM-1	13 1/2	25 1/2	12	12 1/2	20	21	21 1/2	.055	3/8	3/4	45
EM1P23NAM-1	13 1/2	25 1/2	12	12 1/2	20	21	21 1/2	.067	3/8	3/4	40
EM1P23NBM-1	17 1/2	25 1/2	16	16 1/2	20	21	21 1/2	.067	3/8	3/4	40
EM1P24NAM-1	13 1/2	25 1/2	12	12 1/2	20	21	21 1/2	.067	3/8	3/4	42
EM1P29NAM-1	13 1/2	25 1/2	12	12 1/2	20	21	21 1/2	.071	3/8	3/4	40
EM1P30NAM-1	13 1/2	25 1/2	12	12 1/2	20	21	21 1/2	.071	3/8	3/4	42
EM1P30NBM-1	17 1/2	25 1/2	16	16 1/2	20	21	21 1/2	.071	3/8	3/4	42
EM1P36NAM-1	13 1/2	25 1/2	12	12 1/2	20	21	21 1/2	.078	3/8	3/4	57
EM1P36NBM-1	17 1/2	25 1/2	16	16 1/2	20	21	21 1/2	.078	3/8	3/4	57
EM1P36NCM-1	20 1/2	25 1/2	19	19 1/2	20	21	21 1/2	.078	3/8	3/4	57
EM1P43NBM-1	17 1/2	27 1/2	16	16 1/2	20	21	21 1/2	.082	3/8	7/8	60
EM1P48NBM-1	17 1/2	25 1/2	16	16 1/2	20	21	21 1/2	.090	3/8	7/8	48
EM1P50NCM-1	20 1/2	27 1/2	19	19 1/2	20	21	21 1/2	.090	3/8	7/8	77

Dimensions - Uncased

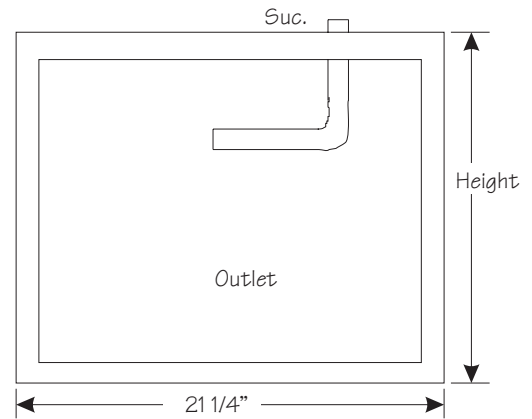
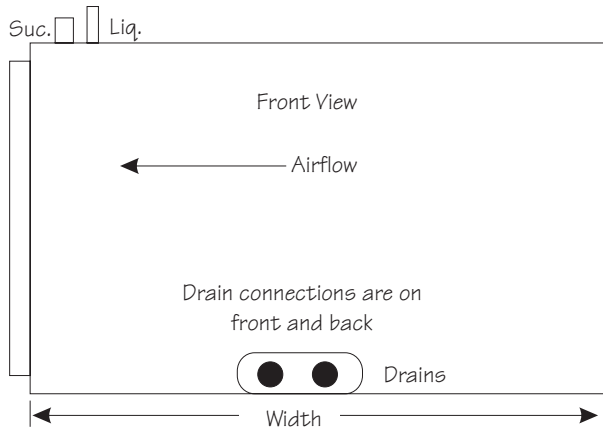


Model	A (in.)	B (in.)	C (in.)	D (in.)	E (in.)	Orifice	Refrigeration Connections		Weight (lbs.)
							Liquid (in.)	Vapor (in.)	
EU1P19NAN-1	13	19 1/2	15 1/8	9 1/2	4 1/2	.055	3/8	3/4	17
EU1P18NAN-1	13	19 1/2	15	9 1/2	4 1/2	.055	3/8	3/4	23
EU1P23NAN-1	13	19 1/2	17 1/5	12 1/2	4 1/2	.067	3/8	3/4	22
EU1P24NAN-1	13	19 1/2	19 1/5	14 1/2	6	.067	3/8	3/4	22
EU1P29NAN-1	13	19 1/2	21 1/4	17 1/3	6 1/2	.071	3/8	3/4	24
EU1P30NAN-1	13	19 1/2	23 1/4	17 1/3	6 1/2	.071	3/8	3/4	40 1/2
EU1P36NAN-1	13	19 1/2	23 3/8	17 1/3	6 1/2	.078	3/8	3/4	38
EU1P36NBN-1	17	19 1/2	23 1/8	17 1/3	6 1/2	.078	3/8	3/4	38
EU1P43NBN-1	17	19 1/2	27 1/4	23 1/3	5 1/2	.082	3/8	7/8	24
EU1P48NBN-1	17	19 1/2	23 1/8	9 1/2	4 1/2	.090	3/8	7/8	38
EU1P50NCN-1	20	19 1/2	26 3/4	23 1/3	5 1/2	.090	3/8	7/8	40
EU1P62NCN-1	19 1/2	21 1/2	30 5/8	18 1/8	4	.101	3/8	7/8	65



Model	A (in.)	B (in.)	C (in.)	D (in.)	E (in.)	Orifice	Refrigeration Connections		Weight (lbs.)
							Liquid (in.)	Vapor (in.)	
EU1P59DN	25 1/8	20	24 1/2	16 3/4	5	.090	3/8	7/8	49
EU1P62NDN	23	19 1/2	28 1/8	18 1/4	4 1/2	1/9	3/8	7/8	65

Dimensions - Horizontal



Model	Height	Width	Supply		Return		Weight (lbs.)
			Height	Width	Height	Width	
EH1P23AM-1	14 1/2	26 1/2	13	19 3/4	13 1/2	20	38
EH1P23BM-1	17 1/2	26 1/2	16	19 3/4	16 1/2	20	50
EH1P29AM-1	14 1/2	31 1/2	13	19 3/4	13 1/2	20 1/4	56
EH1P29BM-1	17 1/2	26 1/2	16	19 3/4	16 1/2	20	45
EH1P36BM-1	17 1/2	26 1/2	16	19 3/4	16 1/2	20	56
EH1P36CM-1	21	26 1/2	19 1/2	19 3/4	20	20	64
EH1P43BM-1	17 1/2	31 1/2	16	19 3/4	16 1/2	20 1/4	52
EH1P43CM-1	21	26 1/2	19 1/2	19 3/4	20	20	56
EH1P49CM-1	21	31 1/2	19 1/2	19 3/4	20	20 1/4	58
EH1P49DM-1	24 1/2	31 1/2	23	19 3/4	23 1/2	20 1/4	66
EH1P62CM	21	31 1/2	19 1/2	19 3/4	20	20 1/4	63
EH1P62DM	24 1/2	31 1/2	23	19 3/4	23 1/2	20 1/4	63

All specifications and illustrations subject to change without notice and without incurring obligations..

www.ducanevac.com
For more information, contact your local Ducane distributor.

Form No. DEU/C/M/H1P-100 (6/06)
Printed in U.S.A.

©Excel Comfort Systems, Inc. 2006



Free Manuals Download Website

<http://myh66.com>

<http://usermanuals.us>

<http://www.somanuals.com>

<http://www.4manuals.cc>

<http://www.manual-lib.com>

<http://www.404manual.com>

<http://www.luxmanual.com>

<http://aubethermostatmanual.com>

Golf course search by state

<http://golfingnear.com>

Email search by domain

<http://emailbydomain.com>

Auto manuals search

<http://auto.somanuals.com>

TV manuals search

<http://tv.somanuals.com>