

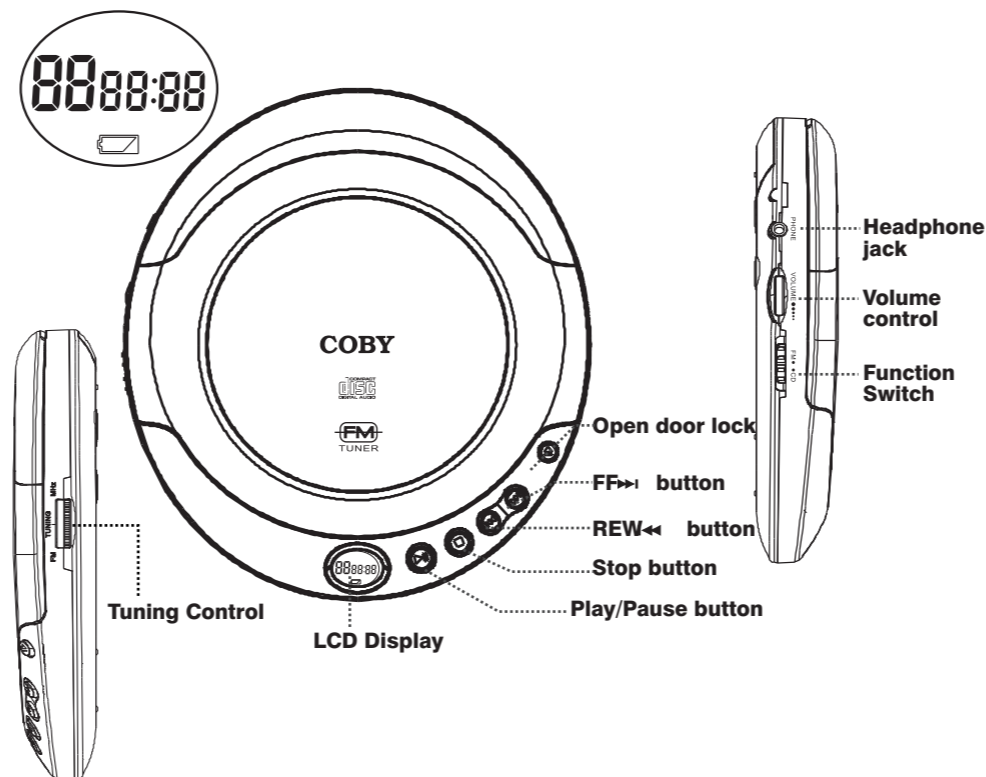
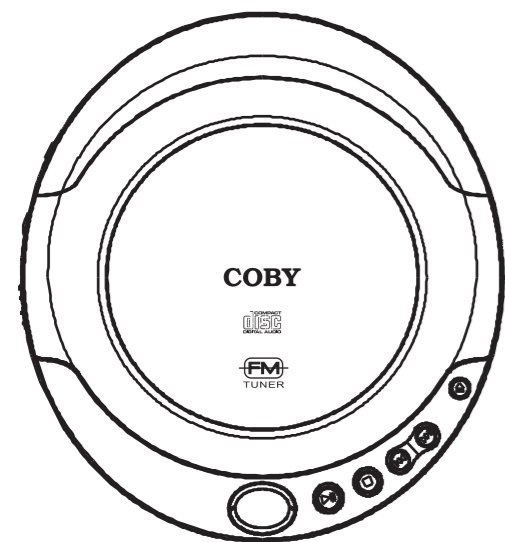
COBY®

PORTABLE CD PLAYER

CX-CD331

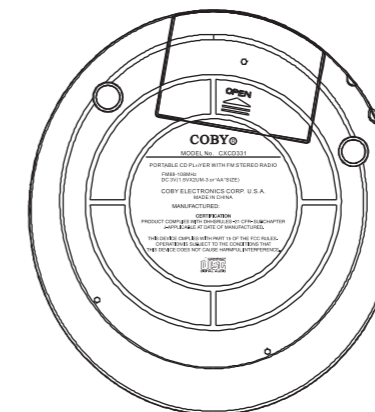
USER GUIDE

NAME OF PARTS



BATTERY OPERATION (BATTERIES NOT INCLUDED)

Your unit operates on two(2)AA size alkaline batteries. Open the CD cover and insert the batteries in the battery compartment following the polarity diagram located inside.



CAUTION

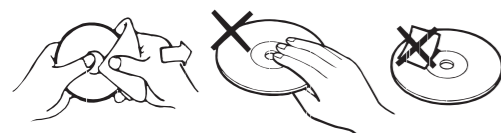
Hearing experts advise against the constant use of personal stereos played at high volume. Constant high volume use can lead to hearing loss. If you experience ringing in the ears or hearing loss, discontinue use and seek medical advice.

HANDLING DISCS

To remove the disc from its storage case, press down on the center of the case and lift the disc out. Hold it carefully by the edges as shown below.



- Insert the disc into the unit with the label of the disc facing UP.
- Gently wipe the disc using a soft cloth from the center to the outer direction to remove dust, fingerprints or any other particles on the disc surface. Never use chemicals, such as record sprays, anti-static sprays, benzene or thinners to clean the CD. These chemicals can damage the disc surface permanently.
- To avoid serious scratches on CD, keep them in the cases after each use. Scratches can cause the laser pick-up skip in the future play.
- Do not place stickers or write anything on the disc.



MAINTENANCE AND CARE

- Read the instruction manual before operating this unit.
- Do not expose the unit to high temperature or humidity. Use dampened soft cloth to clean the unit. Do not use strong detergent or solvent to clean the unit.
- Consult your dealer if you are ever in doubt about the installation, operation or safety of your equipment

SPECIFICATIONS

CD Play Section

Frequency Response.....20 ~ 20,000Hz
 Wow and Flutter.....Below Measurable Limits
 Sampling Rate.....8 times over sampling
 D/A Converter.....1-Bit

General

Maximum Output (Stereo Headphone)..15mW+15mW(32ohm)

Radio Frequency

FM.....88-108MHz

Power Supply

DC.....3V with 2 size "AA" Batteries

Dimension.....5.1"x 1.1"x 5.9"(WHD)

IMPORTANT

The CD mechanism and the sensitive circuitry may cause interference to a radio tuner nearby. Do not operate this unit while operating other radio devices.

Danger This product utilizes invisible laser radiation. Avoid direct exposure to the beam.



Caution Use of controls, adjustments or procedures not listed in this manual may result in hazardous radiation exposure.

CONCERNING COMPACT DISCS

Only compact discs identified with this mark can be used with this player.



RADIO OPERATION

RADIO OPERATION

- (1)Slide the FUNCTION switch to FM position to turn the power on.
- (2)Get to the desired station by tuning knob.
- (3)Set a proper listening level by volume control.
- (4)To turn off the radio, slide the FUNCTION switch to CD.

CD OPERATION

POWER ON — AUTO PLAY

- (1)Press **PLAY/PAUSE** () button to turn the power on.
- (2)LCD screen will display " ".
- (3)LCD screen will display " no disc" if CD is not in the unit.
- (4)LCD screen will display "Er" if the unit cannot read CD track data.
- (5)When CD track data has been read, LCD screen will display the last track number with the total play time.
- (6)Unit will start playing from track No.1 automatically.



STOP

- Press **STOP** () button to stop play, and the last track Number will display.



PAUSE

- Press **PLAY/PAUSE** () button to pause on/off alternately. Time display will flash on pause mode.



PLAYING MODES

LISTEN TO DESIRED TRACK

- (1) Press **FF** (or **REW**) button to set the desired track#. Press **PLAY/PAUSE** button to play. Press **FF** (or **REW**) button to change the track # during the play mode.
 - Press FF button
- (2) During play, press **REW** button to play previous track.
 - Press REW button at the head of NO.4
- (3) During pause mode, press **FF** (or **REW**) button to play the next track (or previous track). The unit will keep in pause mode and time display will flash.

MOVE TO THE DESIRED SPOT

- During play, press and hold **FF** (or **REW**) button to fast forward (or fast reverse) the current track.



POWER OFF

- Press **STOP** button to get to the stop mode. The player will shut off automatically after a few seconds.

LOW BATTERY DETECTION

- (1) is displayed when the battery voltage reaches low.
- (2) When the voltage is too low, the unit will automatically turn off.



Free Manuals Download Website

<http://myh66.com>

<http://usermanuals.us>

<http://www.somanuals.com>

<http://www.4manuals.cc>

<http://www.manual-lib.com>

<http://www.404manual.com>

<http://www.luxmanual.com>

<http://aubethermostatmanual.com>

Golf course search by state

<http://golfingnear.com>

Email search by domain

<http://emailbydomain.com>

Auto manuals search

<http://auto.somanuals.com>

TV manuals search

<http://tv.somanuals.com>