


IMPORTANT SAFETY INSTRUCTIONS

1. Read instructions.
2. Keep these instructions.
3. Heed all warnings.
4. Follow instructions.
5. Do not use this apparatus near water.
6. Clean only with a damp cloth.
7. Do not block any of the ventilation openings. Install in accordance with the manufacturers instructions.
8. Do not install near any heat sources such as radiators, heat registers, stoves, or other apparatus (including amplifiers) that product heat.
9. Do not defeat the safety purpose of the polarized or grounding - type plug. A polarized plug has two blades with one wider than the other. A grounding type plug has two blades and a third grounding prong. The wide blade or the third prong are provided for your safety. When the provided plug does not fit into your outlet, consult an electrician for replacement of the obsolete outlet.
10. Protect the power cord from being walked on or pinched particularly at plugs, convenience receptacles, and the point where they exit from the apparatus.
11. Only use attachments/accessories specified by the manufacturer.
12. Use only with a cart, stand, tripod, bracket, or table specified by the manufacturer, or sold with the apparatus. When a cart is used, use caution when moving the cart/ apparatus combination to avoid injury from tip-over.

Portable Cart Warning
13. Unplug this apparatus during lightning storms or when unused for long periods of time.

14. Refer all servicing to qualified service personnel. Servicing is required when the apparatus has been damaged in any way, such as power-supply cord or plug is damaged, liquid has been spilled or objects have fallen into the apparatus, the apparatus has been exposed to rain or moisture, does not operate normally, or has been dropped.
15. When using your telephone equipment, basic safety precautions should always be followed to reduce the risk of fire, electric shock and injury to persons, including the following:
 - a. Do not use this product near water. For example, near a bath tub, wash bowl, kitchen sink, or laundry tub, in a wet basement, or near a swimming pool.
 - b. Avoid using a telephone (other than a cordless type) during an electrical storm. There may be remote risk of electric shock from lightning.
 - c. Do not use the telephone to report a gas leak in the vicinity of the leak.
 - d. Use only the power cord and batteries indicated in this manual. Do not dispose of batteries in a fire. They may explode. Check with local codes for possible special disposal instructions.

SAVE THESE INSTRUCTIONS

SAFETY INSTRUCTIONS FOR BATTERY

CAUTION

TO REDUCE THE RISK OF FIRE OR INJURY TO PERSONS, READ AND FOLLOW THESE INSTRUCTIONS.

1. Use only the 1604A size 9V alkaline battery of which size is indicated in the battery compartment.
2. Do not dispose of the battery in a fire. The cell may explode. Check with local codes for possible special disposal instructions.
3. Do not open or mutilate the battery. Released electrolyte is corrosive and may cause damage to the eyes or skin. It may be toxic if swallowed.
4. Exercise care in handling battery in order not to short the battery with conducting materials such as rings, bracelets and keys. The battery or conductor may overheat and cause burns.
5. Do not attempt to recharge the battery provided with or identified for use with this product. The battery may leak corrosive electrolyte or explode.
6. Do not attempt to rejuvenate the battery provided with or identified for use with this product by heating them. Sudden release of the battery electrolyte may occur causing burns or irritation to the eyes or skin.
7. When inserting battery into this product, the proper polarity or direction of battery can cause charging, and that may result in leakage or explosions.

CAUTION: TO PREVENT ELECTRIC SHOCK, MATCH WIDE BLADE OF PLUG TO WIDE SLOT. FULLY INSERT.

CAUTION • RISK OF ELECTRIC SHOCK • DO NOT OPEN



The lightning flashing and arrowhead within the triangle is a warning sign alerting you of dangerous voltage inside the product



The exclamation point within the triangle is a warning sign alerting you of important instructions accompanying the product.

CAUTION: To reduce the risk of electric shock, do not remove cover (or back). No user-serviceable parts inside. Refer servicing to qualified service personnel.

WARNING: TO REDUCE THE RISK OF FIRE OR ELECTRIC SHOCK, DO NOT EXPOSE THIS APPLIANCE TO RAIN OR MOISTURE.

8. Remove the battery from this product if the product will not be used for a long period of time (several months or more) since during this time the battery could leak in the product.
9. Discard the "dead" battery is more likely to leak in a product.
10. Do not store this product, or the battery product, in high temperature areas. Battery that is stored in a freezer or refrigerator for the purpose of extending shelf life should be protected from condensation during storage and defrosting. Battery should be stabilized at room temperature prior to use after cold storage.

SAVE THESE INSTRUCTIONS

INSTALLATION INSTRUCTIONS

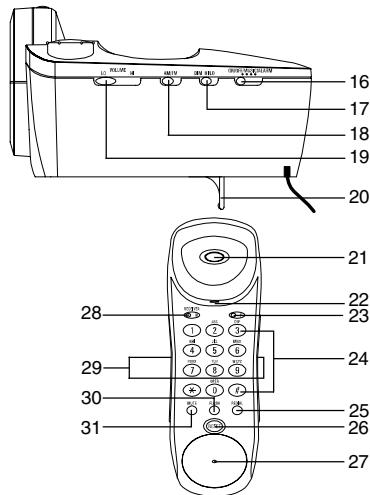
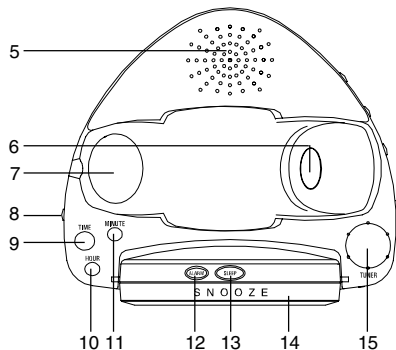
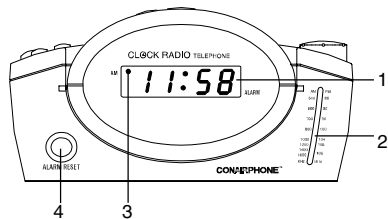
1. Never install telephone wiring during a lightning storm .
2. Never install telephone jacks in wet locations unless the jack is specifically designed for wet locations .
3. Never touch uninsulated telephone wires or terminals unless the telephone line has been disconnected at the network interface.
4. Use caution when installing or modifying telephone lines .

CONGRATULATIONS!

You have purchased a TCR500, a Telephone Clock Radio manufactured to the highest standards of Conairphone™. Before installing and operating, be sure to read this manual.

Your Conairphone™ is FCC approved for connection to your telephone line.

LOCATION OF CONTROLS



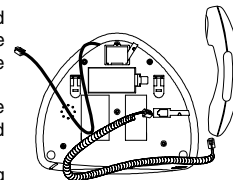
- | | |
|-------------------------------|---|
| 1. LED Clock Display | 17. LED (Clock) Dim Hi/Lo Switch |
| 2. Lighted Radio Dial Display | 18. AM/FM Switch |
| 3. AM Indicator | 19. Speaker Volume Slide Control |
| 4. Alarm Reset | 20. Base stand |
| 5. Speaker | 21. Receiver |
| 6. Hook Switch | 22. Green LED backlight |
| 7. Cradle | 23. Tone/Pulse Switch |
| 8. Ringer Off/Lo/Hi | 24. Key Pad |
| 9. Time | 25. Redial |
| 10. Hour | 26. Reset |
| 11. Minute | 27. Mouth Piece (Transmitter) |
| 12. Alarm | 28. Receiver Volume Control (Norm/High) |
| 13. Sleep | 29. Comfort Grips |
| 14. Snooze Bar | 30. Flash |
| 15. Radio Tuning Control | 31. Mute |
| 16. On/Off/Music/Alarm Switch | |

INSTALLATION

Connecting the Phone

To connect the phone

1. Connect the coiled cord to the jack in the handset and the bottom of the base.
2. Connect the telephone line cord into the wall outlet. With a four prong style jack, simply use a plug in modular adaptor.



Connecting the Telephone Clock Radio

Simply plug in the AC power cord.

For Your Safety

The AC power plug is polarized (one blade is wider than the other) and only fits into AC power outlets one way. If the plug won't go into the outlet completely, turn the plug over and try to insert it the other way. If it still won't fit, contact a qualified electrician to change the outlet, or use a different one. **Do not attempt to bypass this safety feature.**

NOTE : When the unit is connected to an AC outlet for the first time after it has been disconnected, one of the following conditions may occur.

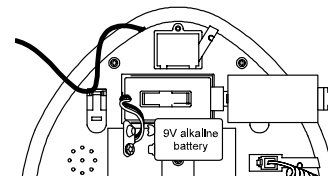
- A. Display blinks.
- B. Display is incomplete.
- C. Alarm or radio will sound even though ON/OFF/MUSIC/ALARM switch is in OFF position. Conditions "A" and "B" may be corrected simply by setting the correct time, condition "C" may be corrected by pressing the SNOOZE switch.

Battery Backup

Your telephone clock radio has a backup power system to guard against an AC power failure. While operating under battery power, your unit will maintain the time and alarm settings. However, the display will shut down to conserve battery power. Normal operation will resume after AC power is restored so you will not have to reset time or alarm. A standard 9 volt battery (not included) can be used. It is recommended that an alkaline 9 volt battery be used to ensure continuous operation of the clock for up to eight hours during AC power failure.

To Install Battery

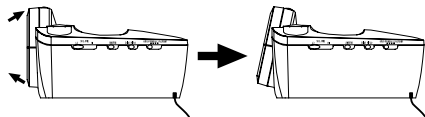
1. Open the battery compartment located on the bottom of the unit.
2. Lift out the battery contacts.
3. Snap the battery contacts.
4. Position the battery inside the compartment.
5. Close the battery compartment.



NOTE: If power cord becomes disconnected for more than 10 hours, the battery should be replaced. It is recommended that the battery be changed every six months to ensure full battery back up. If unit will not be used over an extended period of time, remove battery to prevent any possible leakage of battery chemicals. Your clock display will function without battery backup. However, in the event of a power failure, time and alarm settings must be reset and no alarm will sound.

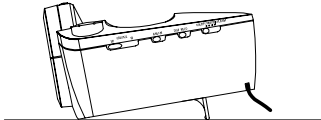
Adjustable Display

You can adjust the display panel to four different viewing angles of your choice.



Base Stand

You can adjust the base stand to have a comfortable viewing angle, if your unit is at a higher position.



TELEPHONE OPERATION

Receiving a Call

1. When your phone rings, pick up the handset and use it like any basic telephone.
2. Hang up the handset to release the telephone line when your conversation is completed.

NOTE: If your radio is on, it will automatically be silenced when the handset is removed from the cradle. The radio will resume playing when the handset is put back in the cradle.

Dialing a Call

NOTE: Your Conairphone™ features an illuminated dial keypad light for dialing in a darkened room.

1. Pick up the handset and wait for a dial tone.
2. Press the keypad for the telephone number you wish to dial.

TELEPHONE FEATURES

Tone/Pulse Switch

Set switch to your type of service. If you don't know whether you have tone or pulse:

1. Put the switch on "TONE".
2. When you have a dial tone, press any key on the keypad. If the dial tone stops, leave it on "TONE". If not, change the setting to "PULSE".

Receiver Volume Control

The receiver volume control is located on the face of the handset of your phone. This enables you to adjust the receiver volume from normal to high for a better listening level.

Ringer Off/Low/High

Your TCR500 features a harmonic dual tone ringer that can be adjusted from a loud (HI) to a soft (LO) sound level. When you don't want to be disturbed, slide the switch to the OFF position. You can still make outgoing calls without being disturbed by incoming calls.

Mute

To talk to someone on your end of the phone without the caller hearing your conversation, press and hold the [MUTE]. Release the [MUTE] to return to your telephone conversation.

Last Number Redial

Automatically redials the last number called. If the number was busy or unanswered:

- a. Hang up the HANDSET on the base (or depress the hook switch or [RESET]).
- b. Lift the HANDSET (or release the hook switch).
- c. Press [REDIAL].

Flash

The FLASH button can be used to obtain a new dial tone after ending a call. The FLASH button is also a useful feature for special telephone services such as Call Waiting and Three-Way Calling.

Hearing Aid Compatibility

The Conairphone™ is compatible with inductively coupled hearing aids.

CLOCK OPERATION

Setting the Time

1. Press and hold TIME and HOUR controls simultaneously. Release when correct hour is displayed.
2. Press and hold TIME and MINUTE controls simultaneously. Release when correct minute is displayed.

NOTE: The clock used in this unit has a 12-hour display, so make certain the proper AM indicator is displayed. A small lighted dot appears to indicate AM.

SETTING THE ALARM

1. Press and hold ALARM and HOUR controls simultaneously. Release when correct hour is displayed.
2. Press and hold ALARM and MINUTE controls simultaneously. Release when correct minute is displayed.

NOTE: Always press the ALARM control before pressing the HOUR or MINUTE controls. After the desired time is set, always release the HOUR or MINUTE controls first, before releasing the ALARM control.

RADIO OPERATION

1. Place handset in cradle.
2. Slide ON/OFF/MUSIC/ALARM switch to the ON position.
3. Slide AM/FM switch to desired band.
4. Rotate tuning control to desired station.
5. Adjust the volume control to desired level.
6. Slide ON/OFF/MUSIC/ALARM switch to OFF to turn radio off.

NOTE: This unit has an automatic mute feature to silence the radio whenever the telephone is use. If the radio is on and you lift the handset, the volume will be turned off automatically. The volume will resume once handset is returned to cradle.

WAKING TO RADIO ALARM

1. Set Alarm Time.
2. Slide ON/OFF/MUSIC/ALARM switch to the ON position.
3. Set the AM/FM switch to AM or FM for desired radio band.
4. Rotate the radio tuning dial to select desired broadcast station on the Lighted Radio Dial Display. Tune station for maximum clarity.
5. Adjust the volume control for the desired listening level.
6. Slide ON/OFF/MUSIC/ALARM switch to MUSIC. A small lighted dot appears to indicate ALARM. The radio is now set to turn on automatically at the time selected by the alarm.

NOTE: The radio will play for approximately two hours and turn itself off automatically. This cycle will repeat every 24 hours unless the controls are changed. To play the radio after the 2-hour period, set the ON/OFF/MUSIC/ALARM switch to ON. Remember to reset the switch to MUSIC so the radio will come on automatically the next day.

7. To reset the alarm, press the [ALARM RESET]. This will automatically shut the radio off. The radio will come on again the next day at the same time.
8. Slide the ON/OFF/MUSIC/ALARM switch to OFF to completely turn the radio off.

WAKING TO ALARM

1. Set Alarm Time
2. Slide ON/OFF/MUSIC/ALARM switch to ALARM. A small lighted dot appears to indicate ALARM. The alarm is now set to turn on automatically at the time selected by the alarm.

NOTE: The alarm will sound for approximately two hours and turn itself off automatically. This cycle will repeat every 24 hours unless the controls are changed. To turn off the buzzer and turn on the radio, slide the ON/OFF/MUSIC/ALARM switch to MUSIC and rotate the volume control and adjust for desired volume level. To play the radio after the 2-hour

period, set the ON/OFF/MUSIC/ALARM switch to ON. Remember to reset the ON/OFF/MUSIC/ALARM switch to ALARM so the alarm will sound automatically the next day.

3. Press the [ALARM RESET] to turn the alarm off completely. The alarm will come on again the next day at the same time.

Snooze Bar Control

If you wish to sleep a few extra minutes after your alarm sounds, press the SNOOZE control. This will silence the radio or alarm. The radio or alarm will sound again 9 minutes later. You can use the SNOOZE feature repeatedly for up to approximately two hours.

Sleep Button Control

The SLEEP control feature lets you turn the radio on for up to about two hours while you doze off to your favorite radio program.

1. Set the ON/OFF/MUSIC/ALARM switch to OFF, MUSIC or ALARM position as desired.
2. Press the SLEEP control once, the radio will play for 59 minutes. Hold the SLEEP control and press the MINUTE control will decrease the playing time.
3. Release the MINUTE control when the desired length of time is displayed on the clock.
4. If you want to extend the playing time more than one hour, hold the SLEEP control and press the HOUR control. The radio will play for 1 hour and 59 minutes. Then, release the HOUR control and press the MINUTE control to decrease playing time.
5. Repeat step 3 to set the desired length playing time.
6. To turn off radio sooner, press the SNOOZE control once.

ELECTRONIC CLOCK DISPLAY

The clock face always displays the correct time except when the following controls are pressed:

SLEEP-Displays and sets the length of playing time radio will play before automation shut-off. ALARM-Displays alarm time set.

FCC WANTS YOU TO KNOW

This equipment complies with Part 68 of the FCC rules. On the bottom of the base of this equipment is a label that contains, among other information, the FCC Registration Number and Ringer Equivalence Number (REN) for this equipment. You must, upon request, provide this information to your telephone company. The REN is useful to determine the quantity of devices you may connect to your telephone line and still have all of those devices ring when your telephone number is called. In most, but not all areas, the sum of the RENs of all devices connected to one line should not exceed five (5.0). To be certain of the number of devices you may connect to your line, as determined by the REN, you should contact your local telephone company to determine the maximum REN for your calling area.

If your telephone equipment causes harm to the telephone network, the telephone company may discontinue your service temporarily. If possible, they will notify you in advance. But if advance notice isn't practical, you will be notified as soon as possible. You will be informed of your right to file a complaint with the FCC.

Your telephone company may make changes in its facilities, equipment, operations, or procedures that could affect the proper functioning of your equipment. If they do, you will be notified in advance to give you an opportunity to maintain uninterrupted telephone service. If you experience trouble with this telephone equipment the telephone company may ask that you disconnect this equipment from the network until the problem has been corrected or until you are sure that the equipment is not malfunctioning.

This equipment may not be used on coin service provided by the telephone company. Connection to party lines is subject to state tariffs.

This equipment is hearing aid compatible.

WARNING: Changes or modifications to this unit not expressly approved by the party responsible for compliance could void the user's authority to operate the equipment.

NOTE: This equipment has been tested and found to comply with the limits for a Class B digital device, pursuant to Part 15 of the FCC Rules. These limits are designed to provide reasonable protection against harmful interference in a residential installation. This equipment generates, uses and can radiate radio frequently energy and, if not installed and used in accordance with the instructions, may cause harmful interference to radio communications. However, there is no guarantee that interference will not occur in a particular installation. If this equipment does cause harmful interference to radio or television reception, which can be determined by turning the equipment off and on, the user is encouraged to try to correct the interference by one or more of the following measures:

- Increase the separation between the equipment and receiver.
- Connect the equipment into and outlet on a circuit different from that to which the receiver is connected.
- Consult the dealer or an experienced radio TV technician for help.

Additional Information

- A. When your CONAIRPHONE™ is not in use, make sure the handset is engaged into the base unit.
- B. Avoid rough handling, areas with excessive moisture, heavy dust or extreme temperature.
- C. To clean, use a mild detergent and slightly damp cloth, never use strong solvents or abrasives.
- D. Connecting this telephone to a coin operated telephone or party line is prohibited by law.
- E. If it is determined that your telephone is malfunctioning, the FCC requires that it be disconnected from the modular outlet until the problem has been corrected.

SERVICE

According to FCC regulations, this equipment, which has been certified and registered by the FCC, may only be repaired by authorized persons. If repairs or adjustments are made by an unauthorized person, the FCC certification may be voided. Should you encounter any problems, please call the Conairphone™ toll-free Customer Hotline for assistance:

**1-800-366-0937, Monday - Friday
between the hours of 8:30 am - 9:00 pm and
Saturday 8:30 am - 12:30 pm (EST).**

You can also visit our website at
www.conairphone.com

FOR IN-WARRANTY SERVICE:

Package your complete unit (including all adapters, line cords, and other accessories) and ship the unit postage prepaid* and insured (for your protection) to:

**CONAIRPHONE™
DEPT.: In Warranty Repair
7475 North Glen Harbor Blvd., Glendale, AZ 85307**

Be sure to include your return address, proof of purchase, a daytime phone number, \$5.00 for postage and handling*, and a brief explanation of your difficulties.

***NOTE:** California residents need only provide proof of purchase and should call 1-800-366-0937 for shipping instructions.

FOR OUT-OF-WARRANTY SERVICE:

You may call our toll-free Help Line for the price of a replacement before returning your unit. Please follow all instructions for In-Warranty service (above) to return your unit, and mark the package: **DEPT.: Out-of-Warranty.**

If you have called and know the cost of your replacement, please include this information with your unit for prompt service.

Free Manuals Download Website

<http://myh66.com>

<http://usermanuals.us>

<http://www.somanuals.com>

<http://www.4manuals.cc>

<http://www.manual-lib.com>

<http://www.404manual.com>

<http://www.luxmanual.com>

<http://aubethermostatmanual.com>

Golf course search by state

<http://golfingnear.com>

Email search by domain

<http://emailbydomain.com>

Auto manuals search

<http://auto.somanuals.com>

TV manuals search

<http://tv.somanuals.com>