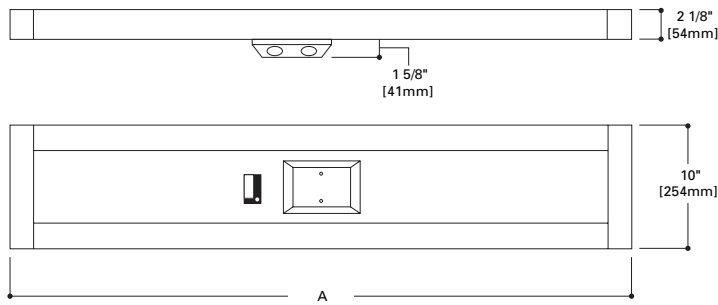


DESCRIPTION

The StairLite System is designed to satisfy all stairwell lighting requirements in one easy to install package. StairLite consists of a surface mounted, two lamp fluorescent lighting fixture that incorporates an integrally mounted ultrasonic motion detector, a system display panel, and an optional full battery backup. The StairLite System will deliver vastly reduced operating and maintenance costs due to virtually no power consumption. It will enhance the usefulness, safety, and reliability of any emergency lighting system. The StairLite System is designed for use in stairwells or any other area of a building where the occupancy level or usage factor would be considered minimal.

DIMENSIONS



Lamp	Dimension "A"
FO17T8	27" (686mm)
FO25T8	39" (991mm)
FO32T8	51" (1295mm)



STL STAIRLITE

Stairwell Lighting System

EMERGENCY LIGHT

- Choice of Input Voltage, 120 or 277 VAC, 60Hz
- Formed 20 gauge steel housing and cover plate construction
- Durable white powder coat finish
- T8 Fluorescent lamps in 17, 25 and 32 watts (Lamps not included)
- Single-lamp electronic ballast that is "0" Degree rated
- Sealed, maintenance-free nickel cadmium battery
- Fully automatic, self-test ultrasonic motion detector
- Solid-state Status Indicator Display System with an AC power indicator
- Fully automatic emergency charger is solid-state-no mechanical relay
- Variety of electrical and mounting knockouts for a easy installation
- Tamper-proof Spanner Head Screws, Standard
- UL 924, Life Safety NFPA 101, NEC/OSHA, most state and local codes

ORDERING INFORMATION

SAMPLE NUMBER: STL42F17

STL

Family	Operation	Lamp	Voltage	Accessories (Order Separately)
STL=StairLite	4=AC Only 54=Emergency 450 Lumens 57=Emergency 700 Lumens 59=Emergency 950 Lumens	2F17=(2) FO17T8 (2' lamps) 2F25=(2) FO25T8 (3' lamps) 2F32=(2) FO32T8 (4' lamps)	Blank=120 VAC 7=277 VAC	VRSPD=#6 Spanner Screw Driver

Energy Data

	Input Power;		Input Current (Max.):		Power Factor:	
	120V	277V	120V	277V	120V	277V
(2) 17W T8	31W	31W	.29A	.13A	.8	.8
(2) 25W T8	42W	42W	.36A	.16A	.8	.8
(2) 32W T8	52W	52W	.44A	.19A	.9	.9
Lamps Off	4.3W	4.3W	.04A	.02A	.7	.7

Free Manuals Download Website

<http://myh66.com>

<http://usermanuals.us>

<http://www.somanuals.com>

<http://www.4manuals.cc>

<http://www.manual-lib.com>

<http://www.404manual.com>

<http://www.luxmanual.com>

<http://aubethermostatmanual.com>

Golf course search by state

<http://golfingnear.com>

Email search by domain

<http://emailbydomain.com>

Auto manuals search

<http://auto.somanuals.com>

TV manuals search

<http://tv.somanuals.com>