

# Operator's Manual



## 3 Gallon Oil-free Compressor with Brad nailer and inflation/blowgun kit Item 15206

**CAUTION:** Read the Safety Guidelines  
and All Instructions Carefully Before  
Operating.

**Sears, Roebuck and Co., Hoffman Estates, IL 60179 U.S.A.**  
Visit our Craftsman website: [www.sears.com/craftsman](http://www.sears.com/craftsman)

N032601 Rev. 0 07/29/09

## TABLE OF CONTENTS

WARRANTY .....	2
SPECIFICATION CHART .....	3
SAFETY GUIDELINES - DEFINITIONS .....	3
IMPORTANT SAFETY INSTRUCTIONS .....	3-8
GLOSSARY .....	9
ACCESSORIES .....	9
DUTY CYCLE .....	9
ASSEMBLY .....	10
INSTALLATION .....	11-12
OPERATION .....	12-14
TROUBLESHOOTING .....	15-17
PARTS DIAGRAM/ PARTS LIST .....	18-19

## WARRANTY

### CRAFTSMAN EVOLV FULL WARRANTY

If this Craftsman Evolv compressor, nailer or accessories fail due to a defect in material or workmanship within one year from the date of purchase, return it to any Sears store or other Craftsman Evolv outlet in the United States for free replacement. This warranty does not cover expendable parts such as o-rings or driver blades that can wear out from normal use within the warranty period. This warranty is void on each product if it is ever used for commercial or rental purposes.

This warranty gives you specific legal rights, and you may also have other rights which vary from state to state.

**Sears, Roebuck and Co., Hoffman Estates, IL 60179**

## SPECIFICATION CHART

Motor	120V 60Hz, 2.6-amp
Running Horsepower	1/3 Hp
Tank Size	3-gallon
Air Hose Type	25' recoil, MAX.
Air Delivery	1.0 SCFM @ 40 PSI 0.6 SCFM @ 90 PSI
Cut-in Pressure	85 PSI
Cut-out Pressure	100 PSI
Max. Pressure	100 PSI
Power Cord	6ft, 3-prong, 18 AWG
Unit Weight	18.69lb (8.5kg)

## SAFETY GUIDELINES - DEFINITIONS

This manual contains information that is important for you to know and understand. This information relates to protecting **YOUR SAFETY** and **PREVENTING EQUIPMENT PROBLEMS**. To help you recognize this information, we use the symbols below. Please read the manual and pay attention to these symbols.

<p><b>▲ DANGER:</b> Indicates an imminently hazardous situation which, if not avoided, <b>will</b> result in <b>death or serious injury</b>.</p>	<p><b>▲ CAUTION:</b> Indicates a potentially hazardous situation which, if not avoided, <b>may</b> result in <b>minor or moderate injury</b>.</p>
<p><b>▲ WARNING:</b> Indicates a potentially hazardous situation which, if not avoided, <b>could</b> result in <b>death or serious injury</b>.</p>	<p><b>▲ NOTICE :</b> Indicates a practice <b>not related to personal injury</b> which, if not avoided, <b>may</b> result in <b>property damage</b>.</p>

## IMPORTANT SAFETY INSTRUCTIONS

**▲ WARNING:** This product contains chemicals known to the State of California to cause cancer, and birth defects or other reproductive harm. ***Wash hands after handling.***

**▲ WARNING:** Some dust contains chemicals known to the State of California to cause cancer, birth defects or other reproductive harm such as asbestos and lead in lead based paint.

**▲ WARNING:** Do not operate this unit until you read and understand this instruction manual for safety, operation and maintenance instructions.



## SAVE THESE INSTRUCTIONS

## HAZARD



### ▲ DANGER: RISK OF EXPLOSION OR FIRE

WHAT CAN HAPPEN	HOW TO PREVENT IT
1 It is normal for electrical contacts within the motor and pressure switch to spark.	1 Always operate the compressor in a well ventilated area free of combustible materials, gasoline, or solvent vapors.
2 If electrical sparks from compressor come into contact with flammable vapors, they may ignite, causing fire or explosion.	2/1 If spraying flammable materials, locate compressor at least 20 feet (6.1 m) away from spray area. An additional length of air hose may be required. 2/2 Store flammable materials in a secure location away from compressor.
3 Restricting any of the compressor ventilation openings will cause serious overheating and could cause fire.	3/1 Never place objects against or on top of compressor. 3/2 Operate compressor in an open area at least 12" (30.5 cm) away from any wall or obstruction that would restrict the flow of fresh air to the ventilation openings. 3/3 Operate compressor in a clean, dry well ventilated area. Do not operate unit indoors or in any confined area.
4 Unattended operation of this product could result in personal injury or property damage. To reduce the risk of fire, do not allow the compressor to operate unattended.	4/1 Always remain in attendance with the product when it is operating. 4/2 Always turn off and unplug unit when not in use.

## HAZARD



### ▲ DANGER: RISK TO BREATHING (ASPHYXIATION)

WHAT CAN HAPPEN	HOW TO PREVENT IT
1 The compressed air directly from your compressor is not safe for breathing. The air stream may contain carbon monoxide, toxic vapors, or solid particles from the air tank. Breathing these contaminants can cause serious injury or death.	1 Air obtained directly from the compressor should never be used to supply air for human consumption. In order to use air produced by this compressor for breathing, suitable filters and in-line safety equipment must be properly installed. In-line filters and safety equipment used in conjunction with the compressor must be capable of treating air to all applicable local and federal codes prior to human consumption.

- |   |  |
|---|--|
| 2 Exposure to chemicals in dust created by power sanding, sawing, grinding, drilling, and other construction activities may be harmful. | 2 Work in an area with good cross ventilation. Read and follow the safety instructions provided on the label or safety data sheets for the materials you are spraying. Always use certified safety equipment: NIOSH/OSHA respiratory protection or properly fitting face mask designed for use with your specific application. |
| 3 Sprayed materials such as paint, paint solvents, paint remover, insecticides, weed killers, may contain harmful vapors and poisons.   |  |

## HAZARD



### ▲ WARNING: RISK OF BURSTING

**Air Tank:** On February 26, 2002, the U.S. Consumer Product Safety Commission published Release # 02-108 concerning air compressor tank safety:

Air compressor receiver tanks do not have an infinite life. Tank life is dependent upon several factors, some of which include operating conditions, ambient conditions, proper installations, field modifications, and the level of maintenance. The exact effect of these factors on air receiver life is difficult to predict.

If proper maintenance procedures are not followed, internal corrosion to the inner wall of the air receiver tank can cause the air tank to unexpectedly rupture allowing pressurized air to suddenly and forcefully escape, posing risk of injury to consumers.

Your compressor air tank must be removed from service by the end of the year shown on your tank warning label.

The following conditions could lead to a weakening of the air tank, and result in a violent air tank explosion:

WHAT CAN HAPPEN	HOW TO PREVENT IT
1 Failure to properly drain condensed water from air tank, causing rust and thinning of the steel air tank.	1 Drain air tank daily or after each use. If air tank develops a leak, replace it immediately with a new air tank or replace the entire compressor.
2 Modifications or attempted repairs to the air tank.	2 Never drill into, weld, or make any modifications to the air tank or its attachments. Never attempt to repair a damaged or leaking air tank. Replace with a new air tank.
3 Unauthorized modifications to the safety valve or any other components which control air tank pressure.	3 The air tank is designed to withstand specific operating pressures. Never make adjustments or parts substitutions to alter the factory set operating pressures.

### Attachments & accessories:

1	Exceeding the pressure rating of air tools, spray guns, air operated accessories, tires, and other inflatables can cause them to explode or fly apart, and could result in serious injury.	1	Follow the equipment manufacturers recommendation and never exceed the maximum allowable pressure rating of attachments. Never use compressor to inflate small low pressure objects such as children's toys, footballs, basketballs, etc.
---	--	---	---

### Tires:

1	Over inflation of tires could result in serious injury and property damage.	1	Use a tire pressure gauge to check the tires pressure before each use and while inflating tires; see the tire sidewall for the correct tire pressure. <b>NOTE:</b> Air tanks, compressors and similar equipment used to inflate tires can fill small tires very rapidly. Adjust pressure regulator on air supply to no more than the rating of the tire pressure. Add air in small increments and frequently use the tire gauge to prevent over inflation.
---	---	---	---

## HAZARD



### ⚠ WARNING: RISK OF ELECTRICAL SHOCK

WHAT CAN HAPPEN		HOW TO PREVENT IT	
1	Your air compressor is powered by electricity. Like any other electrically powered device, if it is not used properly it may cause electric shock.	1/1	Never operate the compressor outdoors when it is raining or in wet conditions.
		1/2	Never operate compressor with protective covers removed or damaged.
2	Repairs attempted by unqualified personnel can result in serious injury or death by electrocution.	2	Any electrical wiring or repairs required on this product should be performed by authorized service center personnel in accordance with national and local electrical codes.
3	<b>Electrical Grounding:</b> Failure to provide adequate grounding to this product could result in serious injury or death from electrocution. Refer to <b>Grounding Instructions</b> paragraph in the <i>Installation</i> section.	3	Make certain that the electrical circuit to which the compressor is connected provides proper electrical grounding, correct voltage and adequate fuse protection.

## HAZARD



### **▲ WARNING:** RISK FROM FLYING OBJECTS

WHAT CAN HAPPEN	HOW TO PREVENT IT
1 The compressed air stream can cause soft tissue damage to exposed skin and can propel dirt, chips, loose particles, and small objects at high speed, resulting in property damage or personal injury.	1/1 Always wear certified safety equipment: ANSI Z87.1 eye protection (CAN/CSA Z94.3) with side shields when using the compressor. 1/2 Never point any nozzle or sprayer toward any part of the body or at other people or animals. 1/3 Always turn the compressor off and bleed pressure from the air hose and air tank before attempting maintenance, attaching tools or accessories.

## HAZARD



### **▲ WARNING:** RISK OF HOT SURFACES

WHAT CAN HAPPEN	HOW TO PREVENT IT
1 Touching exposed metal such as the compressor head, engine head, engine exhaust or outlet tubes, can result in serious burns.	1/1 Never touch any exposed metal parts on compressor during or immediately after operation. Compressor will remain hot for several minutes after operation. 1/2 Do not reach around protective shrouds or attempt maintenance until unit has been allowed to cool.

## HAZARD



### **▲ WARNING:** RISK FROM MOVING PARTS

WHAT CAN HAPPEN	HOW TO PREVENT IT
1 Moving parts such as the pulley, fly-wheel, and belt can cause serious injury if they come into contact with you or your clothing.	1/1 Never operate the compressor with guards or covers which are damaged or removed. 1/2 Keep your hair, clothing, and gloves away from moving parts. Loose clothes, jewelry, or long hair can be caught in moving parts. 1/3 Air vents may cover moving parts and should be avoided as well.
2 Attempting to operate compressor with damaged or missing parts or attempting to repair compressor with protective shrouds removed can expose you to moving parts and can result in serious injury.	2 Any repairs required on this product should be performed by authorized service center personnel.

## HAZARD



### **⚠ WARNING:** RISK OF UNSAFE OPERATION

WHAT CAN HAPPEN	HOW TO PREVENT IT
1 Unsafe operation of your air compressor could lead to serious injury or death to you or others.	<ol style="list-style-type: none"><li>1 Review and understand all instructions and warnings in this manual.</li><li>2 Become familiar with the operation and controls of the air compressor.</li><li>3 Keep operating area clear of all persons, pets, and obstacles.</li><li>4 Keep children away from the air compressor at all times.</li><li>5 Do not operate the product when fatigued or under the influence of alcohol or drugs. Stay alert at all times.</li><li>6 Never defeat the safety features of this product.</li><li>7 Equip area of operation with a fire extinguisher.</li><li>8 Do not operate machine with missing, broken, or unauthorized parts.</li></ol>

## HAZARD



### **⚠ WARNING:** RISK OF FALLING

WHAT CAN HAPPEN	HOW TO PREVENT IT
1 A portable compressor can fall from a table, workbench, or roof causing damage to the compressor and could result in serious injury or death to the operator.	1 Always operate compressor in a stable secure position to prevent accidental movement of the unit. Never operate compressor on a roof or other elevated position. Use additional air hose to reach high locations.

## HAZARD



### **⚠ CAUTION:** RISK FROM NOISE

WHAT CAN HAPPEN	HOW TO PREVENT IT
1 Under some conditions and duration of use, noise from this product may contribute to hearing loss.	1 Always wear certified safety equipment: ANSI S12.6 (S3.19) hearing protection.

**SAVE THESE INSTRUCTIONS  
FOR FUTURE USE**



## GLOSSARY

Become familiar with these terms before operating the unit.

**CFM:** Cubic feet per minute.

**SCFM:** Standard cubic feet per minute; a unit of measure of air delivery.

**PSI:** Pounds per square inch gauge; a unit of measure pressure.

**Code Certification:** Products that bear one or more of the following marks: UL<sup>®</sup>, CUL, ETL<sup>®</sup>, CETL, have been evaluated by OSHA certified independent safety laboratories and meet the applicable Standards for Safety.

\*UL<sup>®</sup> is a registered trademark of Underwriters Laboratories and ETL<sup>®</sup> is a registered trademark of Electrical Testing Laboratories.

**Cut-In Pressure:** While the motor is off, air tank pressure drops as you continue to use your accessory. When the tank pressure drops to a certain low level the motor will restart automatically. The low pressure at which the motor automatically restarts is called "cut-in" pressure.

**Cut-Out Pressure:** When an air compressor is turned on and begins to run, air pressure in the air tank begins to build. It builds to a certain high pressure before the motor automatically shuts off, protecting your air tank from pressure higher than its capacity. The high pressure at which the motor shuts off is called "cut-out" pressure.

**Branch Circuit:** Circuit carrying electricity from electrical panel to outlet.

## ACCESSORIES

Includes: brad nailer, nails, 25' recoil air hose, inflation needle, tapered blow gun nozzle, blow gun adapter, blow gun safety nozzle, blow gun, tire chuck,

1/4" male quick-connect plugs, PTEE-thread seal tape, 1/4" female quick-connect body, hex wrench(2) and oil.

## DUTY CYCLE

This air compressor pump is capable of running continuously. However, to prolong the life of your air compressor, it is recommended that a 50%-75%

average duty cycle be maintained; that is, the air compressor pump should not run more than 30-45 minutes in any given hour.

# ASSEMBLY

## Unpacking

This product has been shipped completely assembled.

1. Carefully remove the tool and any accessories from the box. Mark sure that all items listed in the packing list are included.

2. Inspect the tool carefully to make sure no breakage or damage occurred during shipping.  
3. Do not discard the packing material until you have carefully inspected and satisfactorily operated the tool.

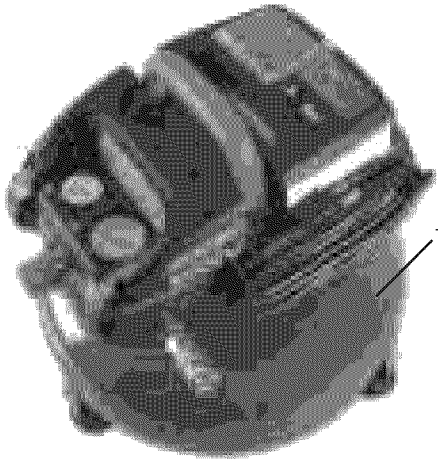
4. If any parts are damaged or missing, please call SERVICE CENTER for assistance.

## PACKING LIST

Air Compressor

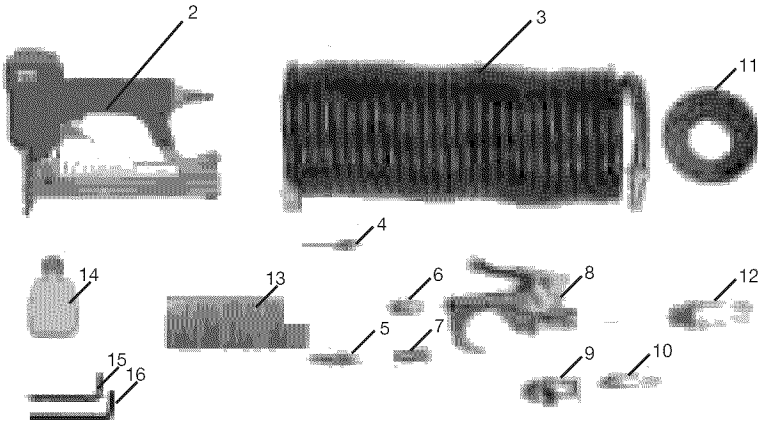
Accessories (15)

Operator's Manual (not shown)



### Includes:

- 1 air compressor
- 2 2" Brad Nailer
- 3 25' Recoil air hose
- 4 Inflation Needle
- 5 Tapered Blow Gun Nozzle
- 6 Blow Gun Adapter
- 7 Blow Gun Safety Nozzle
- 8 Blow Gun
- 9 Tire Chuck
- 10 1/4" Male Quick-Connect Plugs
- 11 PTFE - Thread Seal Tape
- 12 1/4" Female Quick-Connect Body
- 13 Nails (100 pcs)
- 14 oil
- 15&16 Hex wrench
- 17 Operator's Manual (not shown)



# INSTALLATION

## HOW TO SET UP YOUR UNIT

### Location of the Air Compressor

1. Locate the air compressor in a clean, dry and well ventilated area.
2. The air compressor should be located at least 12" (30.5 cm) away from the wall or other obstructions that will interfere with the flow of air.
3. The air compressor pump and shroud are designed to allow for proper cooling. The ventilation openings on the compressor are necessary to maintain proper operating temperature. Do not place rags or other containers on or near these openings.

## GROUNDING INSTRUCTIONS

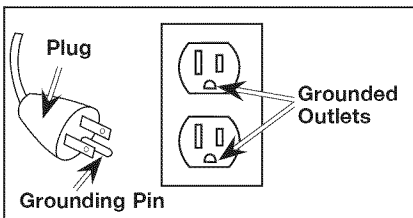
**⚠ WARNING RISK OF ELECTRICAL SHOCK.** In the event of a short circuit, grounding reduces the risk of shock by providing an escape wire for the electric current. This air compressor must be properly grounded.

The portable air compressor is equipped with a cord having a grounding wire with an appropriate grounding plug (see following illustrations).

1. The cord set and plug with this unit contains a grounding pin. This plug **MUST** be used with a grounded outlet.

**IMPORTANT:** The outlet being used must be installed and grounded in accordance with all local codes and ordinances.

2. Make sure the outlet being used has the same configuration as the grounded plug. **DO NOT USE AN ADAPTER.** See illustration.



3. Inspect the plug and cord before each use. Do not use if there are signs of damage.
4. If these grounding instructions are not completely understood, or if in doubt as to whether the compressor is properly grounded, have the installation checked by a qualified electrician.

**⚠ DANGER RISK OF ELECTRICAL SHOCK. IMPROPER GROUNDING CAN RESULT IN ELECTRICAL SHOCK.**

**Do not modify the plug provided. If it does not fit the available outlet, a correct outlet should be installed by a qualified electrician.**

**Repairs to the cord set or plug MUST be made by a qualified electrician.**

### Extension Cords

If an extension cord must be used, be sure it is:

1. 3-wire a extension cord that has a 3-blade grounding plug, and a 3-slot receptacle that will accept the plug on the product.
2. in good condition
3. no longer than 50 feet
4. 14 gauge (AWG) or larger. (Wire size increases as gauge number decreases. 12 AWG and 10 AWG may also be used. **DO NOT USE 16 OR 18 AWG.**)

**NOTICE:** Risk of Property Damage. The use of an undersized extension cord will cause voltage to drop resulting in power loss to the motor and overheating. Instead of using an extension cord, increase the working reach of the air hose by attaching another length of hose to its end. Attach additional lengths of hose as needed.

### Voltage and Circuit Protection

Refer to the specification chart for the voltage and minimum branch circuit requirements.

**CAUTION:**

Risk of unsafe operation. Certain air compressors can be operated on a 15 amp circuit if the following conditions are met.

1. Voltage supply to circuit must comply with the National Electrical Code.
2. Circuit must not be used to supply any other electrical needs.
3. Extension cords must comply with specifications.
4. Circuit is equipped with a 15 amp

circuit breaker or 15 amp time delay fuse.

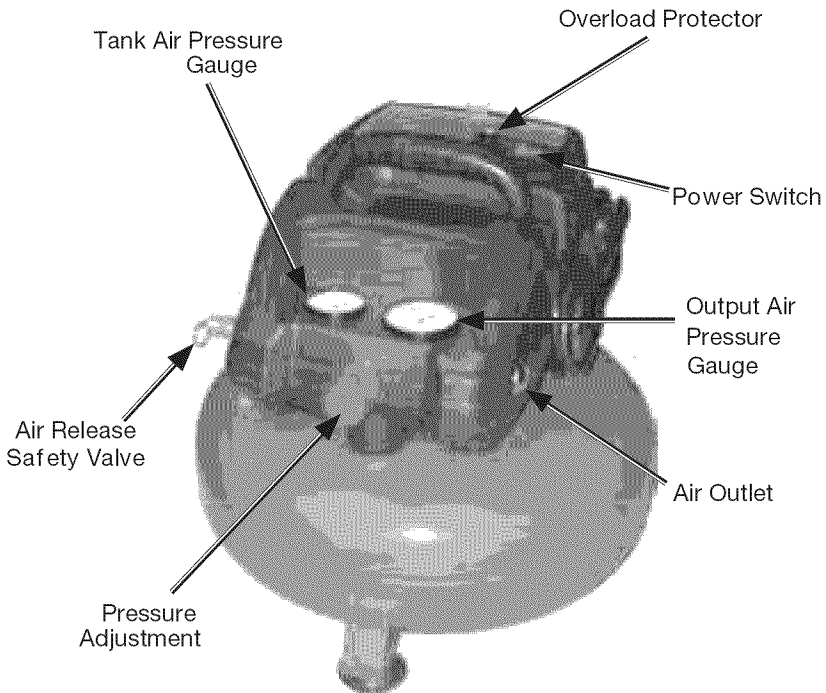
NOTE: If compressor is connected to a circuit protected by fuses: use only Time delay fuses should be marked "D" in "Canada" and "T" in the U.S.

## OPERATION

### KNOW YOUR AIR COMPRESSOR

READ THIS OWNER'S MANUAL AND SAFETY RULES BEFORE OPERATING YOUR UNIT.

Compare the illustrations with your unit to familiarize yourself with the location of various controls and adjustments. Save this manual for future reference.



## **OPERATING COMPRESSOR TURNING COMPRESSOR ON**

1. Pull and release the Air Release Safety Valve to verify it does not stick.
2. Plug the power cord into a grounded electrical outlet.
3. Press the Power Switch to the On position.
4. Allow the Tank to fill to 85 PSI before using. With the Air Compressor turned on, operation is automatic and under the control of the internal Pressure Controller.

## **PRESSURE ADJUSTMENT**

Set the appropriate air pressure output for the air tool being used.

1. Turn the Pressure Adjustment knob to the left to decrease output air pressure, or to the right to increase the output air pressure.
2. Read the air output pressure on the Output Air Pressure Gauge.

## **USING THE AIR RELEASE SAFETY VALVE**

The Air Release Safety Valve is used when tank decompression is needed quickly and efficiently.

1. Press the Power Switch to the Off position.
2. Pull on the Air Release Safety Valve ring to release pressure from the Tank.
3. When all pressure is released, let go of the ring on the Air Release Safety Valve.

## **EMPTY AIR AND CONDENSATION**

The water Drain Valve is located underneath the Air Tank. It must be used daily to release all trapped moisture through its valve. It will also get rid of any condensation that may cause tank corrosion.

**⚠ WARNING:** Slightly open the water Drain Valve to blow air and moisture out of the Tank. Opening it all the way may cause it to be blown off.

To help prevent tank corrosion and keep moisture out of the air used, the air tank of the compressor should be drained daily.

1. Turn the air compressor off, as shown in the shut down section of the quick reference label.
2. Pull the ring on the safety valve to release until pressure gauge reads less than 20 psi, as shown in the shut down section of the quick reference label.
3. Release the ring.
4. Rotate drain valve counterclockwise to open, as shown in the shut down section of the quick reference label.
5. Tilt tank to drain moisture from tank into a suitable container.

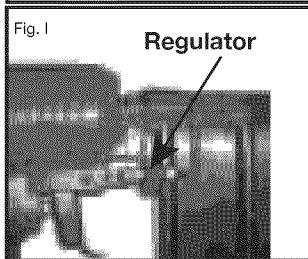
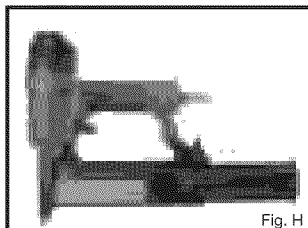
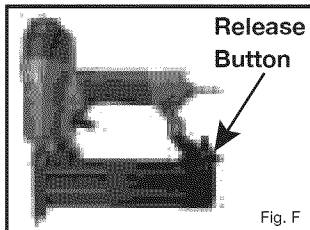
NOTE: Condensate is a polluting material and should be disposed of in compliance with local regulations. If drain valve is clogged, release all air pressure, remove and clean valve, then reinstall.

# OPERATION

## OPERATING BRAD NAILER

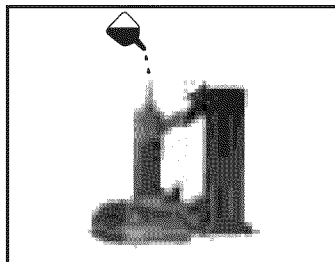
**⚠ WARNING** Always disconnect the tool from the air supply before loading. When loading the tool always aim the tool away from yourself and others. Make sure that the trigger is not pressed while the tool is being loaded.

1. Press the magazine release button and slide open the magazine. (See Fig. F)
2. Insert a strip of fasteners. Strip should lay flat against magazine wall with heads resting on magazine ribbing and fastener points at bottom of magazine. Strip should slide freely. (See Fig. G)
3. Push magazine closed and secure with release button. (See Fig. H)
4. Connect the tool to the air supply. Make sure the air supply is in the correct PSI range (see Operating Instructions).
5. Contact surface of workplace with tip of nailer. Depress the trigger to drive fastener into the surface.
6. Test the driving depth in a sample piece before using. If the fasteners are being driven too deep, or not deep enough, adjust the regulator to provide appropriate air pressure. (See Fig. I)
7. Never operate the tool unless the tip of the nailer is in contact with the workpiece. Do not operate the tool without fasteners loaded or damage to the tool may result.



**⚠ WARNING** Disconnect the tool from the air supply before performing any adjustments, cleaning, maintenance, or repair.

1. Regular lubrication should be performed if your tool is used without an in-line automatic oiler. Place 2–6 drops of air tool oil into the air inlet before each workday and after every 2 hours of continuous use.
2. Check all connections and o-rings. Change all worn or damaged o-rings, seals, etc. Tighten all the screws and caps to prevent potential damage or injury.
3. Inspect the trigger and safety mechanisms to ensure they are working properly. Check for loose or missing parts, binding, and/or sticking parts and adjust or replace accordingly.
4. Keep the nail magazine and the firing tip of the tool clean and free of any foreign particles or objects.



# TROUBLESHOOTING

## TROUBLESHOOTING OF COMPRESSOR

Failure	Possible Cause	Solution
Compressor will not run	<ol style="list-style-type: none"> <li>1. Loss of power or overheating</li> <li>2. No electrical power</li> <li>3. Blown fuse</li> <li>4. Breaker open</li> <li>5. Thermal overload open</li> <li>6. Pressure switch bad</li> </ol>	<ol style="list-style-type: none"> <li>1. Check for proper use of extension cord</li> <li>2. Plugged in? Check fuse/breaker or motor overload</li> <li>3. Replace blown fuse</li> <li>4. Reset, determining why problem happened</li> <li>5. Motor will restart when cool; turn off compressor and wait 20 minutes</li> <li>6. Replace</li> </ol>
Motor hums but cannot run or runs slowly	<ol style="list-style-type: none"> <li>1. Low voltage</li> <li>2. Wrong gauge wire or length of extension cord</li> <li>3. Shorted or open motor winding</li> <li>4. Defective check valve or unloader</li> </ol>	<ol style="list-style-type: none"> <li>1. Check with voltmeter</li> <li>2. Check gauge chart, under Operation for proper gauge wire and cord length</li> <li>3. Replace motor</li> <li>4. Replace or repair</li> </ol>
Fuses blow/circuit breaker trips repeatedly	<ol style="list-style-type: none"> <li>1. Incorrect size fuse, circuit overloaded</li> <li>2. Wrong gauge wire or length of extension cord</li> <li>3. Defective check valve or under loader</li> </ol>	<ol style="list-style-type: none"> <li>1. Check for proper fuse, use time-delay fuse. Disconnect other electrical appliances from circuit or operate compressor on its own branch circuit</li> <li>2. Check gauge chart, under Operation</li> <li>3. Replace or repair</li> </ol>
Thermal overload protector cuts out repeatedly	<ol style="list-style-type: none"> <li>1. Low voltage</li> <li>2. Clogged air filter</li> <li>3. Lack of proper ventilation/room temperature too high</li> <li>4. Wrong gauge wire or length of extension cord</li> </ol>	<ol style="list-style-type: none"> <li>1. Check with voltmeter</li> <li>2. Clean filter</li> <li>3. Move compressor to well ventilated area</li> <li>4. Check gauge chart, under Operation</li> </ol>
Air receiver pressure drops when compressor shuts off	<ol style="list-style-type: none"> <li>1. Loose connections (fittings, tubing, etc.)</li> <li>2. Loose drain lock</li> <li>3. Check valve leaking</li> </ol>	<ol style="list-style-type: none"> <li>1. Check all connections with soap and water solution and tighten</li> <li>2. Tighten</li> <li>3. Disassemble check valve assembly, clean or replace</li> </ol> <div style="background-color: black; color: white; padding: 2px; display: inline-block; margin-top: 5px;"> <b>⚠ DANGER:</b> Do not disassemble check valve with air in tank; bleed tank         </div>
Excessive moisture in discharge air	<ol style="list-style-type: none"> <li>1. Excessive water in air receiver</li> <li>2. High humidity</li> </ol>	<ol style="list-style-type: none"> <li>1. Drain receiver</li> <li>2. Move to area of less humidity; use air line filter</li> </ol>
Compressor runs continuously	<ol style="list-style-type: none"> <li>1. Defective pressure switch</li> <li>2. Excessive air usage</li> <li>3. Check valve leaking</li> </ol>	<ol style="list-style-type: none"> <li>1. Replace switch</li> <li>2. Decrease air usage; compressor not large enough for a requirement</li> <li>3. Disassemble check valve assembly, clean or replace</li> </ol>

## TROUBLESHOOTING

### TROUBLESHOOTING OF COMPRESSOR

Failure	Possible Cause	Solution
Compressor vibrates	Loose mounting bolts	Tighten
Air output lower than normal	1. Broken inlet valves 2. Intake filter dirty 3. Connections leaking	1. Have authorized service representative repair unit 2. Clean or replace intake filter 3. Tighten connections



# TROUBLESHOOTING

## TROUBLESHOOTING OF BRAD NAILER

**▲ WARNING** If any of the following problems arise during operation, stop using the tool immediately. Only a qualified technician or service center can perform repairs on this tool.

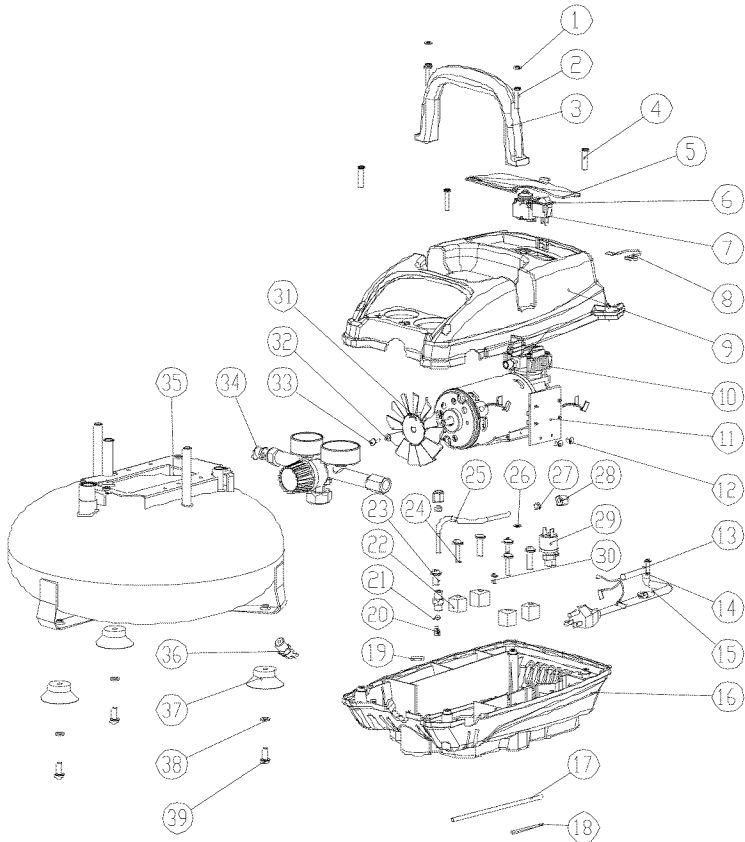
Disconnect the tool from the air supply before any repair or adjustment. When replacing O-rings or cylinders, lubricate with air tool oil before reassembly.

Problem	Possible Causes	Probable Solutions
Air leak near the top of the tool or in the trigger area	<ol style="list-style-type: none"> <li>1. O-ring in trigger valve damaged.</li> <li>2. Trigger valve head damaged.</li> <li>3. Trigger valve stem, seal, or O-ring damaged.</li> </ol>	<ol style="list-style-type: none"> <li>1. Push Power Switch to On position.</li> <li>2. Check power at outlet.</li> <li>3. Plug line cord into electrical outlet.</li> </ol>
Air leak near bottom of tool.	<ol style="list-style-type: none"> <li>1. Loose screws</li> <li>2. Worn or damaged O-rings or bumper.</li> </ol>	<ol style="list-style-type: none"> <li>1. Tighten screws.</li> <li>2. Check and replace O-rings and/or bumper.</li> </ol>
Air leak between body and cylinder cap.	<ol style="list-style-type: none"> <li>1. Loose screws.</li> <li>2. Worn or damaged O-rings or seals.</li> </ol>	<ol style="list-style-type: none"> <li>1. Tighten screws.</li> <li>2. Check and replace O-rings or seals.</li> </ol>
Fasteners being driven too deep.	<ol style="list-style-type: none"> <li>1. Worn bumper.</li> <li>2. Air pressure is too high.</li> </ol>	<ol style="list-style-type: none"> <li>1. Replace bumper.</li> <li>2. Adjust air pressure.</li> </ol>
Tool does not function well, does not drive fasteners, operates sluggishly.	<ol style="list-style-type: none"> <li>1. Inadequate air supply.</li> <li>2. Inadequate lubrication.</li> <li>3. Worn or damaged O-rings or seals.</li> <li>4. Exhaust port in cylinder head is blocked.</li> </ol>	<ol style="list-style-type: none"> <li>1. Verify adequate air supply.</li> <li>2. Place 2–6 drops of oil into air inlet to lubricate.</li> <li>3. Check and replace O-rings or seals.</li> <li>4. Consult qualified service technician to replace internal parts.</li> </ol>
Tool skips fasteners	<ol style="list-style-type: none"> <li>1. Worn bumper or damaged loading spring.</li> <li>2. Dirt in front plate.</li> <li>3. Dirt or damage is preventing fasteners from moving freely in the magazine.</li> <li>4. Worn or dried-out O-ring on piston, or lack of lubrication.</li> <li>5. Cylinder cover seal leaking.</li> </ol>	<ol style="list-style-type: none"> <li>1. Replace bumper or loading spring.</li> <li>2. Clean drive channel on front plate.</li> <li>3. Clean magazine.</li> <li>4. O-ring needs to be replaced or lubricated.</li> <li>5. Replace sealing washer.</li> </ol>
Tool jams	<ol style="list-style-type: none"> <li>1. Incorrect or damaged fasteners.</li> <li>2. Damaged or worn driver guide.</li> <li>3. Magazine or nose screw loose.</li> <li>4. Magazine is dirty.</li> </ol>	<ol style="list-style-type: none"> <li>1. Change and use correct fasteners.</li> <li>2. Check and replace the driver guide.</li> <li>3. Tighten the magazine.</li> <li>4. Clean the magazine.</li> </ol>

# AIR COMPRESSOR DIAGRAM

Air Compressor Item 15206

PARTS SHOWN FOR REFERENCE ONLY



## PARTS LIST

### Air Compressor Item 15206

Item	Part No.	Description	Qty	Item	Part No.	Description	Qty
1	3290408	Flat Washer	2	21	3410152	Ball	1
2	3220552	Screw, M5x25	2	22	3420350	Damping Pad	4
3	3410652	Handle	1	23	3220150	Screw, M6x15	6
4	3220404	Screw, ST4.2x25	4	24	3220250	Screw, M6x25	4
5	3410452	Tooling Cover	1	25	3390250	Copper Tube	1
6	3630252	Overload, Protector	1	26	3290651	Washer	1
7	3630150	Power Switch	1	27	3020152	Copper hoop	2
8	3111352	Electric Wire Assembly	1	28	3020252	Copper Connector knob	2
9	3410352	Screw, ST4.2x25	1	29	3630152-1	Pressure Controller	1
10	3110252	Motor-pump Assembly	1	30	3220840	Screw, M4x10	1/2
11	3110152	Circuit Board	1	31	3410350	Fan	1
12	3220840	Screw, M4x8	2	32	3290706	Flat washer	1
13	3640152	Power Cord	1	33	3220205	Screw, M4x10	1
14	3220475	Screw, ST4.8x15	1	34	3110752	Pressure Regulator Assembly	1
15	3410302-	Wire Clip	1	35	3330152-1	Tank, 3G	1
16	3410552	Cover, Bottom	1	36	3290275	Drain Valve Assembly	1
17	3030150	Tube	18	37	3420150	Foot	3
18	3410329	Zip Tie	1	38	3290750	Flat Washer	6
19	3420652	Seal Ring	1	39	3220150	Screw, M6x15	3/6
20	3290252	Spring	1				

# Manual del Operador



## Compresor Sin Aceite de 3 Galones con Martillo de Clavos Pequeños y Juego para Inflar/Pistola para Soplado Artículo 15206

**PRECAUCIÓN:** Antes de hacer funcionar esta herramienta lea cuidadosamente los lineamientos de seguridad y todas las instrucciones.

**Sears, Roebuck and Co., Hoffman Estates, IL 60179 EE.UU.**  
Visite el sitio web de Craftsman en: [www.sears.com/craftsman](http://www.sears.com/craftsman)

## CONTENIDO

GARANTÍA .....	21
CUADRO DE ESPECIFICACIONES .....	22
LINEAMIENTOS DE SEGURIDAD, DEFINICIONES .....	22
INSTRUCCIONES IMPORTANTES SOBRE SEGURIDAD .....	22-27
GLOSARIO .....	28
ACCESORIOS .....	28
CICLO DE TRABAJO .....	28
ENSAMBLAJE .....	29
INSTALACIÓN .....	30-31
FUNCIONAMIENTO .....	31-33
RESOLUCIÓN DE AVERÍAS .....	34-36
DIAGRAMA DE PIEZAS, LISTA DE PIEZAS .....	37-38

## GARANTÍA

### GARANTÍA COMPLETA PARA EVOLV DE CRAFTSMAN

Si dentro del año a partir de la fecha de compra este compresor, el martillo o sus accesorios Evolv de Craftsman fallan debido a algún defecto, ya sea en material o mano de obra, devuélvalo a cualquier almacén de Sears o a cualquier tienda de distribución Evolv de Craftsman en Estados Unidos para obtener un reemplazo sin costo alguno. Esta garantía no cubre piezas consumibles tales como aros tóricos o cuchillas de impulsión que pudieran desgastarse debido al uso normal dentro del período de garantía. Esta garantía se anula si el producto se usa alguna vez con propósitos comerciales o para alquiler. Esta garantía le proporciona derechos legales específicos y pudieran existir otros derechos, los cuales varían de un estado a otro.

**Sears, Roebuck and Co., Hoffman Estates, IL 60179**

## CUADRO DE ESPECIFICACIONES

Motor	120V 60Hz, 2.2 amp.
Caballos de fuerza de funcionamiento	1/3 Caballos
Tamaño del tanque	3 galones
Tipo de manguera para aire	25 pies MAX, replegable
Entrega de aire	1.0 PIE <sup>3</sup> /MIN ESTÁNDAR A 40 LBS/PUL <sup>2</sup> 0.6 PIES <sup>3</sup> /MIN ESTÁNDAR A 90 LBS/PUL <sup>2</sup>
Presión de corte de entrada	85 LBS/PUL <sup>2</sup>
Presión de corte de salida	100 LBS/PUL <sup>2</sup>
Presión máxima	100 LBS/PUL <sup>2</sup>
Cordón eléctrico	6 pies, 3 espigas, 18 AWG
Peso de la unidad	8.5kg (18.69lb)

## LINEAMIENTOS DE SEGURIDAD, DEFINICIONES

Este manual contiene información importante de saber y comprender. Esta información se relaciona con la protección de SU SEGURIDAD y con la PREVENCIÓN DE PROBLEMAS CON EL EQUIPO. Para ayudarlo a reconocer tal información, utilizamos los siguientes símbolos. Sírvase leer el manual y poner atención a esos símbolos.

<p><b>▲ PELIGRO</b> Indica situaciones inminentemente peligrosas que, si no se evitan, <b>resultan en la muerte o en lesiones serias.</b></p>	<p><b>▲ PRECAUCIÓN</b> Indica situaciones potencialmente peligrosas que, si no se evitan, <b>podrían resultar en lesiones entre mínimas y moderadas.</b></p>
<p><b>▲ ADVERTENCIA</b> Indica situaciones potencialmente peligrosas que, si no se evitan, <b>podrían resultar en la muerte o en lesiones serias</b></p>	<p><b>AVISO:</b> Indica prácticas <b>no relacionadas con lesiones personales</b> las cuales, si no se evitan, <b>podrían resultar en daños a la propiedad.</b></p>

## INSTRUCCIONES IMPORTANTES SOBRE SEGURIDAD

**▲ ADVERTENCIA** Este producto contiene sustancias químicas que de acuerdo al Estado de California provocan cáncer, defectos de nacimiento u otros daños al sistema reproductivo. **Lávese las manos luego de su manejo.**

**▲ ADVERTENCIA** Ciertos aserrines, tales como los de asbestos y el plomo de las pinturas con plomo, contienen productos químicos que de acuerdo al Estado de California provocan cáncer, defectos de nacimiento u otros daños al sistema reproductivo.

**▲ ADVERTENCIA** No opere esta unidad antes de leer y comprender este manual de instrucciones en cuanto al funcionamiento con seguridad y las instrucciones de mantenimiento.



## GUARDE ESTAS INSTRUCCIONES

## RIESGO



**▲ PELIGRO:**

### RIESGO DE INCENDIO O EXPLOSIÓN

QUÉ PODRÍA SUCEDER	CÓMO PREVENIRLO
1 Es normal que los contactos eléctricos dentro del motor y los interruptores de presión produzcan chispas.	1 Opere siempre el compresor en lugares bien ventilados que estén libres de materiales combustibles, gasolina o vapores solventes.
2 Si las chispas eléctricas del compresor entran en contacto con vapores inflamables, estos se podrían encender, provocando incendios o explosiones.	2/1 Si está rociando materiales inflamables, coloque el compresor por lo menos a 6.1 metros (20 pies) del área de rociado. Podría ser necesario contar con una manguera adicional. 2/2 Almacene los materiales inflamables en un lugar seguro lejos del compresor.
3 Restringir cualquiera de las aperturas para ventilación del compresor podría provocar sobrecalentamiento grave y generar incendios.	3/1 Nunca coloque objetos contra el compresor ni encima de él. 3/2 Opere el compresor en áreas abiertas por lo menos a una distancia de 30.5 cm (12 pulgadas) de cualquier pared u obstrucción que pudiera restringir el flujo de aire fresco hacia las aperturas para ventilación. 3/3 Opere el compresor en áreas limpias, secas y con buena ventilación. No opere la unidad en interiores o en áreas confinadas.
4 Si este producto se deja funcionar sin atención se podrían provocar lesiones personales o daños a la propiedad. Para reducir el riesgo de incendios, no deje que el compresor funcione sin alguien que lo atienda.	4/1 Debe haber siempre alguien atendiendo el producto cuando esté funcionando. 4/2 Apague la unidad y desenchúfela cuando nadie la esté usando.

## RIESGO



**▲ PELIGRO:**

### RIESGO PARA LA RESPIRACIÓN (ASFIXIA)

QUÉ PODRÍA SUCEDER	CÓMO PREVENIRLO
1 No es seguro respirar el aire comprimido que sale directamente del compresor. El chorro de aire podría contener monóxido de carbono, vapores tóxicos y partículas sólidas provenientes del tanque de aire. Respirar tales contaminantes podría provocar lesiones serias o la muerte.	1 Nunca se debe usar aire que provenga directamente del compresor para la respiración humana. Para poder usar el aire que produce este compresor para la respiración, se debe instalar apropiadamente filtros adecuados y equipo de seguridad en línea. Antes del consumo humano, los filtros y el equipo de seguridad en línea utilizados con el compresor deben ser capaces de modificar el aire según todos los códigos aplicables locales y federales.

- |   |   |
|---|---|
| 2 La exposición a los químicos dentro del polvo creado por los chorros de arena, aserrado, esmerilado, taladrado y otras actividades de la construcción puede ser dañina.                     | 2 Trabaje en áreas con buena ventilación cruzada. Lea y obedezca las instrucciones de seguridad que se presentan en las viñetas o en las hojas de seguridad de los materiales que esté rociando. Use siempre equipo de seguridad certificado: Protección respiratoria o caretas adecuadamente ajustadas aprobadas por NIOSH/OSHA y diseñadas para usarse en aplicaciones específicas. |
| 3 Los materiales que están siendo rociados tales como pintura, solventes o disolventes de pintura, insecticidas y eliminadores de malas hierbas podrían contener vapores peligrosos y veneno. |   |

## RIESGO



### ▲ ADVERTENCIA RIESGO DE EXPLOSIÓN

**Tanques de aire:** El 26 de febrero de 2002, la Comisión de EE.UU. sobre Seguridad de Productos para Consumidores (U.S. Consumer Product Safety Commission) publicó la emisión # 02-108 relativa a la seguridad de tanques de compresores de aire:

Los tanques receptores de compresores de aire no tienen una vida útil infinita. La vida útil de los tanques depende de varios factores, entre ellos se incluyen las condiciones de operación, las condiciones ambientales, instalaciones apropiadas, modificaciones de campo y el nivel de mantenimiento.

Es difícil predecir el efecto exacto de tales factores sobre la vida útil del receptor de aire. Si no se observan procedimientos de mantenimiento adecuados, la corrosión interna en las paredes interiores de los tanques receptores de aire puede provocar que los tanques de aire se rompan inesperadamente, permitiendo que el aire presurizado escape repentina y enérgicamente, presentando riesgos de lesiones a los consumidores.

Se debe remover de servicio el tanque de aire de su compresor al final del año que se muestra en la viñeta de advertencia del tanque. Las siguientes condiciones podrían provocar el debilitamiento del tanque de aire y hacer que explote violentamente.

QUÉ PODRÍA SUCEDER	CÓMO PREVENIRLO
1 Dejar de drenar apropiadamente el agua condensada del tanque de aire, generando óxido y adelgazamiento del acero del tanque de aire.	1 Drene el tanque de aire diariamente o después de cada uso. Si aparece una fuga en el tanque de aire, reemplácelo inmediatamente con un tanque de aire nuevo o reemplace todo el compresor.
2 Modificaciones o intentos de reparaciones al tanque de aire.	2 Nunca taladre, suelde o haga cualquier modificación al tanque de aire o sus accesorios. Nunca trate de reparar un tanque de aire dañado o con fugas. Reemplácelo con un tanque de aire nuevo.
3 Modificaciones no autorizadas a las válvulas de seguridad o a cualquier otro componente que controla la presión del tanque de aire.	3 El tanque de aire está diseñado para resistir presiones de operación específicas. Nunca ajuste ni sustituya las piezas para alterar la presión de operación ajustada en fábrica.



### Accesorios y utensilios:

1 Exceder la presión límite de las herramientas neumáticas, pistolas de rociado, accesorios impulsados por aire, llantas y otros elementos inflables podría hacer que exploten o vuelen en pedazos y se provoquen lesiones graves.	1 Siga las recomendaciones de los fabricantes de los equipos y nunca exceda la presión máxima permitida de los accesorios. Nunca use el compresor para inflar objetos de baja presión tales como juguetes para niños, balones de fútbol, de básquetbol, etc.
--	--

### Llantas:

1 Inflar demasiado las llantas podría provocar lesiones graves y daños a la propiedad.	1 Utilice un calibrador para verificar la presión de las llantas antes de cada uso y al inflarlas; averigüe la presión correcta de las llantas en sus paredes laterales. <b>NOTA:</b> Los tanques de aire, compresores y equipo similar que se usan para inflar llantas pueden inflar rápidamente las que son pequeñas. Ajuste el regulador de presión en el suministro de aire hasta un límite de la presión máxima permitida para la llanta. Añada aire en pequeños incrementos y use frecuentemente el calibrador para evitar inflarlas demasiado.
--	--

## RIESGO



### ⚠ ADVERTENCIA

### RIESGO DE CHOQUES ELÉCTRICOS

QUÉ PODRÍA SUCEDER	CÓMO PREVENIRLO
1 El compresor de aire funciona con electricidad. Como cualquier otro dispositivo eléctrico, si no se le usa apropiadamente se podrían provocar choques eléctricos.	1/1 Nunca use el compresor al aire libre cuando esté lloviendo ni cuando existan condiciones húmedas. 1/2 Nunca opere el compresor sin sus cubiertas protectoras o si están dañadas.
2 Las reparaciones intentadas por personal no calificado pueden provocar lesiones graves o la muerte por electrocución.	2 Cualquier cableado o reparación eléctrica que se deba efectuar en el producto debe ser efectuada por personal de un centro de servicio autorizado de acuerdo a los códigos eléctricos nacionales y locales.
3 <b>Conexión eléctrica a tierra:</b> No conectar este producto a tierra podría provocar lesiones graves o la muerte por electrocución. Vea el párrafo referente a <b>Instrucciones para conexión a tierra</b> en la sección de Instalación.	3 Asegúrese de que el circuito eléctrico al que se ha de conectar el compresor permite una conexión a tierra apropiada, voltaje correcto y protección adecuada mediante fusibles.

## RIESGO



### ▲ ADVERTENCIA RIESGO DE OBJETOS AEROTRANSPORTADOS

QUÉ PODRÍA SUCEDER	CÓMO PREVENIRLO
1 El chorro de aire comprimido puede provocar daños al tejido suave de la piel expuesta y puede propulsar a gran velocidad suciedad, astillas, partículas sueltas y objetos pequeños provocando daños a la propiedad o lesiones personales.	1/1 Use siempre equipo de seguridad certificado: Protección para los ojos ANSI Z87.1 (CAN/CSA Z94.3) con cubiertas laterales al usar el compresor. 1/2 Nunca apunte la boquilla ni el rociador hacia cualquier parte de su cuerpo o de otras personas o animales. 1/3 Antes de intentar darle mantenimiento o de colocar herramientas o accesorios apague siempre el compresor y sangre la presión de la manguera y del tanque de aire.

## RIESGO



### ▲ ADVERTENCIA RIESGO DEBIDO A SUPERFICIES CALIENTES

QUÉ PODRÍA SUCEDER	CÓMO PREVENIRLO
1 Tocar metal expuesto tal como el cabezal del compresor, el cabezal del motor, el escape o los tubos de salida podría resultar en quemaduras graves.	1/1 Nunca toque las piezas metálicas expuestas del compresor durante el funcionamiento ni inmediatamente después. El compresor permanece caliente durante varios minutos después del funcionamiento. 1/2 No trate de tocar dentro de las cubiertas de protección ni trate de dar mantenimiento a la unidad antes de permitir que se enfríe.

## RIESGO



### ▲ ADVERTENCIA RIESGO DEBIDO A PIEZAS MÓVILES

QUÉ PODRÍA SUCEDER	CÓMO PREVENIRLO
1 Las piezas móviles, tales como poleas, volantes, y correas pueden provocar lesiones graves si entran en contacto con el cuerpo o la ropa.	1/1 Nunca haga funcionar el compresor si se han dañado o removido sus protecciones o cubiertas. 1/2 Mantenga el cabello, ropa y guantes alejados de las piezas móviles. La ropa o joyería holgada y el cabello largo podrían ser atrapados por las piezas móviles. 1/3 Tampoco se debe tocar los respiraderos ya que podrían encontrarse sobre piezas móviles.
2 Intentar hacer funcionar el compresor con piezas dañadas o faltantes o tratar de repararlo sin sus cubiertas de protección puede exponerlo a las piezas móviles y resultar en lesiones graves.	2 Todas las reparaciones que este producto necesite deben ser efectuadas por personal de centros autorizados para servicio.

## RIESGO



### **⚠ ADVERTENCIA** RIESGO DEBIDO A FUNCIONAMIENTO INSEGURO

QUÉ PODRÍA SUCEDER	CÓMO PREVENIRLO
1 El funcionamiento inseguro del compresor de aire puede generar lesiones graves o la muerte a usted u otras personas.	1 Estudie y comprenda todas las instrucciones y advertencias de este manual. 2 Familiarícese con el funcionamiento y los controles del compresor de aire. 3 Mantenga el lugar de operaciones libre de espectadores, mascotas y obstáculos. 4 Mantenga a los niños alejados del compresor de aire en todo momento. 5 No haga funcionar el producto mientras se encuentre fatigado o bajo la influencia de alcohol o drogas. Manténgase alerta en todo momento. 6 Nunca contravenga los sistemas de seguridad de este producto. 7 Coloque un extintor de incendios en el área de operaciones. 8 No haga funcionar la máquina si le hacen falta piezas o con piezas quebradas o no autorizadas.

## RIESGO



### **⚠ ADVERTENCIA** RIESGO DEBIDO A OBJETOS QUE CAEN

QUÉ PODRÍA SUCEDER	CÓMO PREVENIRLO
1 Los compresores portátiles podrían caerse de mesas, bancos de trabajo o techos provocando daños al compresor y podrían resultar en lesiones graves o la muerte del operador.	1 Para evitar el movimiento accidental de la unidad, coloque siempre el compresor en una posición segura y estable. Nunca haga funcionar el compresor sobre techos u otros lugares altos. Utilice mangueras adicionales para alcanzar los lugares altos.

## RIESGO



### **⚠ PRECAUCIÓN:** RIESGO DEBIDO A RUIDO

QUÉ PODRÍA SUCEDER	CÓMO PREVENIRLO
1 Under conditions and duration of use, noise from this product may contribute to hearing loss.	1 Use siempre equipo de seguridad certificado: Protección para los oídos ANSI S12.6 (S3.19).

**GUARDE ESTAS INSTRUCCIONES  
PARA USARLAS EN EL FUTURO**

## GLOSARIO

Familiarícese con los siguientes términos antes de hacer funcionar la unidad.

**PIES<sup>3</sup>/MIN (CFM por sus siglas en inglés):** Pies cúbicos por minuto.

**PIES<sup>3</sup>/MIN ESTÁNDAR (SCFM por sus siglas en inglés):** Pies cúbicos por minuto estándar; es una unidad de medida de la entrega de aire.

**LBS/PUL<sup>2</sup> (PSI por sus siglas en inglés):** Libras por pulgada cuadrada manométricas; es una unidad de presión

**Certificación por código:** Los productos que presentan una o más de las siguientes marcas:

UL<sup>®</sup>, CUL, ETL<sup>®</sup>, CETL, han sido evaluados por laboratorios independientes sobre seguridad certificados por OSHA y cumplen las normas de seguridad aplicables.

\*UL<sup>®</sup> es marca comercial registrada de Underwriters Laboratories y ETL<sup>®</sup> es marca comercial registrada de Electrical Testing Laboratories.

**Presión de corte de entrada:** Mientras el motor se encuentra apagado, la presión del tanque se reduce cuando se continúa usando los accesorios.

Cuando la presión del tanque cae más allá de cierto nivel el motor arranca de nuevo automáticamente. A la presión baja a la que el motor arranca de nuevo automáticamente se le llama presión “de corte de entrada”.

**Presión de corte de salida:** Cuando se enciende un compresor y comienza a funcionar, la presión de aire en el tanque comienza a acumularse. Llega a cierta presión alta antes de que el motor se apague automáticamente, protegiendo el tanque de aire contra presiones más altas que su capacidad. A la presión alta a la que el motor se apaga se le llama presión “de corte de salida”.

**Circuito secundario:** Un circuito que lleva electricidad desde el tablero hacia el tomacorriente.

## ACCESORIOS

Incluye: Martillo de clavos pequeños, clavos manguera de aire replegable de 7.5 m (25 pies), aguja para inflar, boquilla cónica para pistola para soplado, adaptador de pistola para soplado, boquilla de seguridad de pistola para soplado, pistola para soplado, mandril para llantas,

taponos machos de conexión rápida de ¼ de pulgada, cinta para sello de roscas PTEE, carrocería hembra para conexión rápida de ¼ de pulgada, (2) llaves hexagonales y aceite.

## CICLO DE TRABAJO

La bomba del compresor de aire es capaz de funcionar continuamente. Sin embargo, para prolongar la vida útil de su compresor, se recomienda mantener un ciclo de trabajo promedio de entre 50 y 75%;

es decir, la bomba del compresor de aire no debe funcionar más de 30 a 45 minutos en cualquier hora.

## ENSAMBLAJE

### Desempaquetado

Este producto se envía completamente ensamblado.

1. Saque cuidadosamente la herramienta y los accesorios de la caja. Asegúrese de encontrar todos los artículos mencionados en la lista de empaque.

2. Revise la herramienta cuidadosamente para asegurarse de que no se quebró o dañó durante el envío.

3. No deseche el material de empaque antes de inspeccionar cuidadosamente la herramienta y de hacerla funcionar satisfactoriamente.

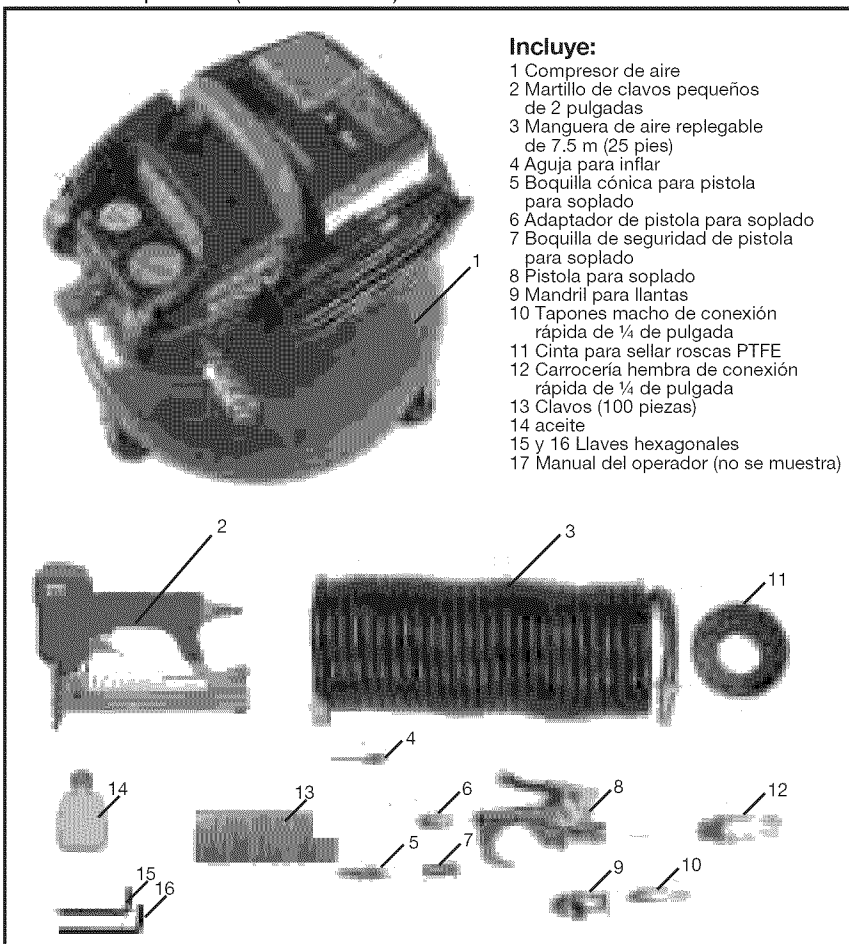
4. Si hay alguna pieza dañada o faltante, sírvase llamar al CENTRO DE SERVICIO para obtener ayuda.

### LISTADO DE EMBALAJE

Compresor de aire

Accesorios (15)

Manual del operador (no se muestra)



### Incluye:

- 1 Compresor de aire
- 2 Martillo de clavos pequeños de 2 pulgadas
- 3 Manguera de aire replegable de 7.5 m (25 pies)
- 4 Aguja para inflar
- 5 Boquilla cónica para pistola para soplado
- 6 Adaptador de pistola para soplado
- 7 Boquilla de seguridad de pistola para soplado
- 8 Pistola para soplado
- 9 Mandril para llantas
- 10 Tapones macho de conexión rápida de 1/4 de pulgada
- 11 Cinta para sellar roscas PTFE
- 12 Carrocería hembra de conexión rápida de 1/4 de pulgada
- 13 Clavos (100 piezas)
- 14 aceite
- 15 y 16 Llaves hexagonales
- 17 Manual del operador (no se muestra)

# INSTALACIÓN

## CÓMO ACOPLAR SU UNIDAD Ubicación del compresor de aire

1. Coloque el compresor de aire en un área limpia, seca y con buena ventilación.
2. Se debe colocar el compresor de aire por lo menos a 30.5 cm. (12 pulgadas) de cualquier pared u otra obstrucción que pudiera interferir con el flujo de aire.
3. La bomba y la cubierta del compresor de aire están diseñadas para permitir el enfriamiento apropiado. Las aperturas de ventilación del compresor son necesarias para mantener una apropiada temperatura de funcionamiento. No coloque paños ni recipientes sobre esas aperturas ni cerca de ellas.

## INSTRUCCIONES PARA CONEXIÓN A TIERRA

**⚠ ADVERTENCIA RIESGO DE CHOQUES ELÉCTRICOS.** La conexión a tierra reduce el riesgo de choques eléctricos en casos de corto circuitos, suministrando un alambre de escape para la corriente eléctrica. Se debe conectar apropiadamente a tierra el compresor de aire.

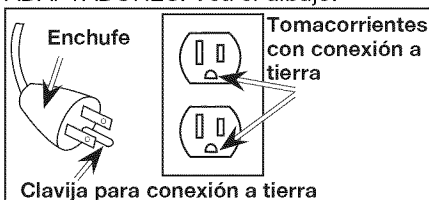
El compresor de aire portátil está equipado con un cordón que tiene un alambre para conexión a tierra y un enchufe apropiado para ello (vea los dibujos a continuación).

1. El juego de cordón y enchufe de esta unidad contiene una clavija para conexión a tierra.

Se DEBE usar esa clavija con un tomacorriente con conexión a tierra.

**IMPORTANTE:** El tomacorriente que se use debe estar instalado y conectado a tierra de acuerdo con todos los códigos y decretos locales.

2. Asegúrese de que el tomacorriente que ha de usar tenga la misma configuración que el enchufe con conexión a tierra. NO USE ADAPTADORES. Vea el dibujo.



3. Antes de cada uso inspeccione el enchufe y el cordón. No los use si presentan señales de daños.

4. Si no comprende totalmente estas instrucciones para la conexión a tierra, o si tiene dudas sobre si el compresor está conectado a tierra apropiadamente, haga que un electricista calificado revise la instalación.

## ⚠ PELIGRO RIESGO DE CHOQUES ELÉCTRICOS. LAS CONEXIONES A TIERRA INAPROPIADAS PODRÍAN RESULTAR EN CHOQUES ELÉCTRICOS.

No modifique el enchufe suministrado. Si no se ajusta al tomacorriente disponible, un electricista calificado deberá instalar uno correcto. Las reparaciones al cordón o al enchufe DEBEN ser hechas por electricistas calificados.

## Cordones para extensión

Si es necesario utilizar un cordón de extensión asegúrese de que:

1. Sea un cordón de tres alambres con un enchufe de tres espigas y un receptáculo de tres ranuras que acepte el enchufe del producto.
2. Esté en buenas condiciones
3. No sea más largo de 15 m (50 pies)
4. Sea de calibre 14 (AWG) o mejor. (El grueso del alambre aumenta al disminuir el número del calibre.

También se puede usar 12 AWG y 10 AWG. NO USE 16 NI 18 AWG).

**AVISO:** Riesgo de daños a la propiedad. Al usar cordones de extensión de menor calibre se provoca una caída en el voltaje, lo que resulta en una pérdida de energía hacia el motor y sobrecalentamiento. En lugar de usar un cordón de extensión, aumente el alcance de funcionamiento de la manguera de aire colocando otra manguera al final. Use tantas mangueras adicionales como sea necesario.

## Voltaje y protección del circuito

Vea en el cuadro de especificaciones el voltaje y los requisitos mínimos del circuito secundario.

### **⚠ PRECAUCIÓN**

Riesgo debido a funcionamiento inseguro. Ciertos compresores de aire pueden operar en circuitos de 15 amperios si se cumplen las siguientes condiciones:

1. El voltaje suministrado al circuito debe cumplir las indicaciones del código nacional sobre electricidad (National Electrical Code).
2. No se debe usar el circuito para suministrar cualquier otra necesidad de electricidad.
3. Los cordones de extensión deben cumplir con las especificaciones.
4. El circuito está equipado con un cortacircuitos de 15 amperios o con un fusible de 15 amperios con retraso de tiempo.

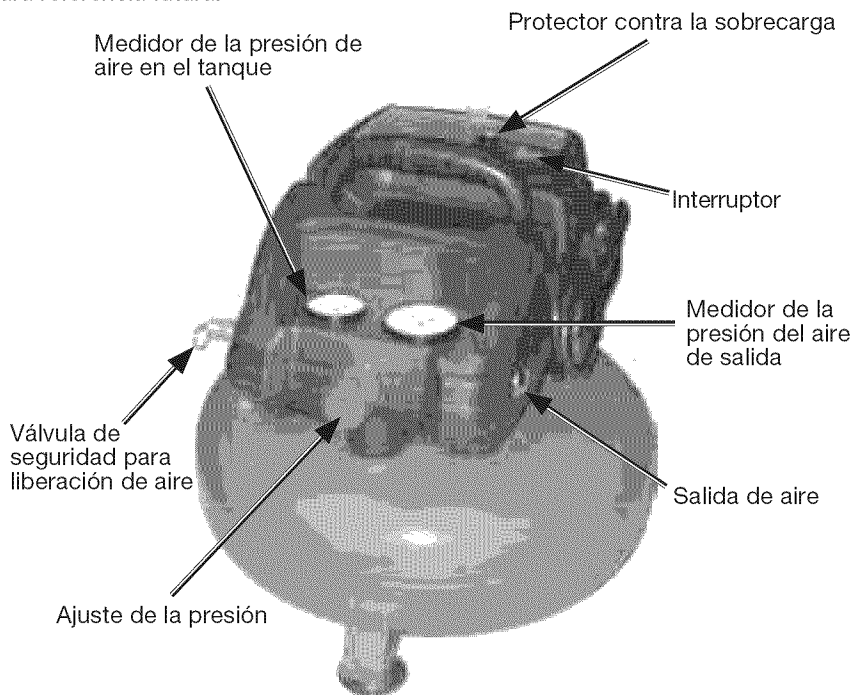
**NOTA:** Si el compresor está conectado a un circuito protegido mediante fusibles: use sólo fusibles con retraso de tiempo, marcados "D" en Canadá y "T" en EE.UU.

## **FUNCIONAMIENTO**

### **CONOZCA SU COMPRESOR DE AIRE**

ANTES DE HACER FUNCIONAR SU UNIDAD, LEA ESTE MANUAL DEL PROPIETARIO Y LAS REGLAS DE SEGURIDAD.

Compare los dibujos suministrados y su unidad para familiarizarse con la ubicación de los distintos controles y sistemas de ajuste. Guarde este manual para referencia futura.



## CÓMO HACER FUNCIONAR EL COMPRESOR

### CÓMO ENCENDER EL COMPRESOR

1. Tire de la válvula de seguridad para liberación de aire y suéltela para comprobar que no se pega.
2. Enchufe el cordón eléctrico en un tomacorriente con conexión a tierra.
3. Presione el interruptor para llevarlo a la posición de encendido.
4. Antes de usar, deje que el tanque se llene a 85 LBS/PUL2. Con el compresor de aire encendido, el funcionamiento es automático y bajo comando del controlador de presión interna.

### AJUSTE DE LA PRESIÓN

Ajuste la salida de presión de aire apropiada para la herramienta neumática utilizada.

1. Gire la perilla para ajuste de la presión hacia la izquierda para disminuir la presión de aire en la salida o hacia la derecha para aumentarla.
2. Lea la presión de salida de aire en el calibrador de presión de aire de salida.

### CÓMO USAR LA VÁLVULA DE SEGURIDAD PARA LIBERACIÓN DE AIRE

La válvula de seguridad para liberación de aire se usa cuando es necesario liberar la presión del tanque rápida y eficientemente.

1. Presione el interruptor para llevarlo a la posición de apagado (Off).
2. Tire del anillo de la válvula de seguridad para liberación de aire para eliminar la presión del tanque.
3. Cuando se ha liberado toda la presión, suelte el anillo de la válvula de seguridad para liberación de aire.

### LIBERE EL AIRE Y LA CONDENSACIÓN

La válvula para drenaje de agua se encuentra debajo del tanque de aire. Se debe utilizar esta válvula diariamente para liberar toda la humedad atrapada. Con ello también se elimina la condensación que pudiera provocar la corrosión del tanque.

## ADVERTENCIA

Abra levemente la válvula de drenaje de agua para sacar el aire y la humedad del tanque. Abrirla completamente podría hacer que estalle.

Para ayudar a prevenir la corrosión del tanque y mantener la humedad fuera del aire utilizado, se debe drenar diariamente el tanque de aire del compresor.

1. Apague el compresor de aire, según se muestra en la sección sobre apagado en la viñeta para referencia rápida.
2. Tire del anillo de la válvula de seguridad para liberar la presión hasta que el medidor indique menos de 20 Lbs/pul2, según se muestra en la sección sobre apagado en la viñeta para referencia rápida.
3. Suelte el anillo.
4. Gire la válvula para drenaje en el sentido contrario al de las agujas del reloj, para abrirla, según se muestra en la sección sobre apagado en la viñeta para referencia rápida.
5. Ladee el tanque para drenar la humedad hacia un receptáculo adecuado.

NOTA: La condensación es un contaminante y se le debe desechar de acuerdo a las regulaciones locales. Si la válvula de drenaje está obstruida, libere toda la presión de aire, quite la válvula y límpiela, luego instálela de nuevo.

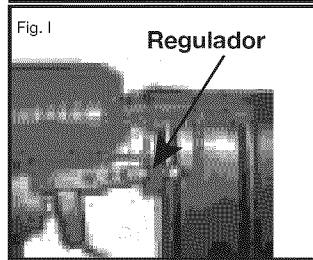
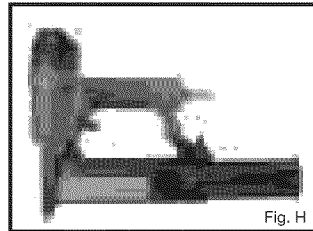
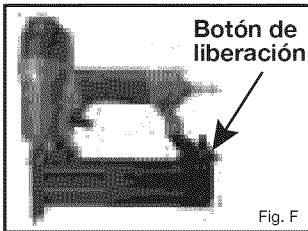


# FUNCIONAMIENTO

## CÓMO HACER FUNCIONAR EL MARTILLO DE CLAVOS PEQUEÑOS

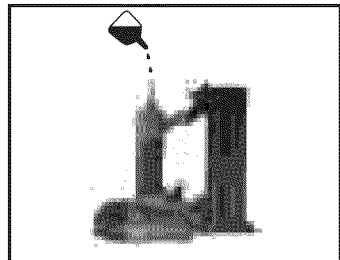
**⚠ ADVERTENCIA** Antes de cargar la herramienta, desconéctela siempre del suministro de aire. Al cargar la herramienta nunca la apunte hacia usted o los demás. Asegúrese de no presionar el gatillo al estar cargando la herramienta.

1. Presione el botón de liberación del cargador y ábralo. (Vea la Fig. F).
2. Coloque una tira de clavos. La tira debe permanecer plana contra la pared del cargador con las cabezas sobre las canaletas del cargador y las puntas en la parte inferior. La tira debe poder moverse libremente. (Vea la Fig. G).
3. Cierre el cargador y asegúrelo con el botón de liberación. (Vea la Fig. H).
4. Conecte la herramienta al suministro de aire. Asegúrese de que el suministro de aire se encuentre en el rango correcto de presión en LBS/PUL2 (vea las instrucciones de funcionamiento).
5. Haga que la punta del martillo entre en contacto con la superficie de la pieza de trabajo. Presione el gatillo para clavar los clavos en la superficie.
6. Antes de usarla, compruebe la profundidad de inserción en una pieza de muestra. Si los clavos se insertan demasiado, o no lo suficiente, ajuste el regulador para proporcionar una presión de aire apropiada. (Vea la Fig. I).
7. Nunca haga funcionar la herramienta a menos que la punta del martillo neumático se encuentre en contacto con la pieza de trabajo. No haga funcionar la herramienta si no tiene clavos cargados o se podría dañar.



**⚠ ADVERTENCIA** Antes de efectuar cualquier ajuste, limpieza, mantenimiento o reparación, desconecte la herramienta del suministro de aire.

1. Si se usa la herramienta sin un aceite automático en línea, se le debe lubricar a intervalos regulares. Antes de cada día de trabajo, y después de cada 2 horas de uso continuo, coloque de 2 a 6 gotas de aceite para herramientas neumáticas en la entrada de aire.
2. Revise todas las conexiones y aros tóricos. Cambie los aros tóricos, sellos, etc. desgastados o dañados. Apriete los tornillos y tapones para evitar daños o lesiones potenciales.
3. Compruebe que el gatillo y los mecanismos de seguridad funcionan apropiadamente. Compruebe que no hay piezas faltantes o sueltas, atascadas o propensas a trabarse y ajústelas o reemplácelas adecuadamente.
4. Mantenga limpios y libres de partículas u objetos extraños el cargador de clavos y la punta de disparo de la herramienta.



# RESOLUCIÓN DE AVERÍAS

## RESOLUCIÓN DE AVERÍAS DEL COMPRESOR

Falla	Causas Posibles	Soluciones
El compresor no funciona	<ol style="list-style-type: none"> <li>1. Pérdida de energía o sobrecalentamiento</li> <li>2. No hay electricidad</li> <li>3. Fusible quemado</li> <li>4. Cortacircuito abierto</li> <li>5. Sobrecarga térmica abierta</li> <li>6. Interruptor de presión en malas condiciones</li> </ol>	<ol style="list-style-type: none"> <li>1. Compruebe que se está usando un cordón para extensión apropiado.</li> <li>2. ¿Se le ha enchufado? Revise el fusible o cortacircuito y que no se ha sobrecargado el motor</li> <li>3. Remplace el fusible quemado</li> <li>4. Restablezca, averigüe la razón del problema</li> <li>5. El motor arranca de nuevo al enfriarse; apague el compresor y espere 20 minutos</li> <li>6. Remplácelo</li> </ol>
El motor hace ruido pero no funciona o lo hace lentamente	<ol style="list-style-type: none"> <li>1. Bajo voltaje</li> <li>2. Calibre del alambre o tamaño del cordón de extensión incorrecto</li> <li>3. Bobina de motor en corto o abierta</li> <li>4. Válvula de retención o descargador defectuoso</li> </ol>	<ol style="list-style-type: none"> <li>1. Compruebe usando un voltímetro</li> <li>2. Vea en el cuadro de calibres, bajo la sección de "Operación" el calibre apropiado del alambre y el tamaño del cordón</li> <li>3. Remplace el motor</li> <li>4. Remplace o repare</li> </ol>
Fusibles quemados o cortacircuito que se dispara repetidamente	<ol style="list-style-type: none"> <li>1. Fusible de calibre incorrecto, sobrecarga del circuito</li> <li>2. Calibre del alambre o tamaño del cordón de extensión incorrecto</li> <li>3. Válvula de retención o bajo cargador defectuoso</li> </ol>	<ol style="list-style-type: none"> <li>1. Verifique que se usan los fusibles adecuados, use fusibles con retraso de tiempo. Desconecte otros aparatos eléctricos del circuito o conecte el compresor en su propio circuito secundario</li> <li>2. Consulte el cuadro de calibres, bajo la sección de "Operación"</li> <li>3. Remplace o repare</li> </ol>
El protector contra sobrecarga térmica se dispara repetidamente	<ol style="list-style-type: none"> <li>1. Bajo voltaje</li> <li>2. Filtro de aire obstruido</li> <li>3. Falta de ventilación o espacio apropiados</li> <li>4. Temperatura muy alta</li> <li>5. Calibre del alambre o tamaño del cordón de extensión incorrecto</li> </ol>	<ol style="list-style-type: none"> <li>1. Check with voltmeter</li> <li>2. Clean filter</li> <li>3. Move compressor to well ventilated area</li> <li>4. Check gauge chart, under Operation</li> </ol>
La presión del receptor de aire cae cuando el compresor se desconecta	<ol style="list-style-type: none"> <li>1. Conexiones flojas (acoplamientos, tuberías, etc.)</li> <li>2. Bloqueador de drenaje flojo</li> <li>3. Válvula de retención con fugas</li> </ol>	<ol style="list-style-type: none"> <li>1. Revise todas las conexiones con agua y jabón y apriételas</li> <li>2. Apriételo</li> <li>3. Desarme la válvula de retención, límpiela o replácela</li> </ol> <p><b>⚠ PELIGRO</b> No desarme la válvula de retención cuando haya aire en el tanque; vacíe el tanque</p>
Excessive moisture in discharge air	<ol style="list-style-type: none"> <li>1. Exceso de agua en el receptor de aire</li> <li>2. Alta humedad</li> </ol>	<ol style="list-style-type: none"> <li>1. Drene el receptor</li> <li>2. Trasládelo a un lugar menos húmedo; use un filtro en la línea de aire</li> </ol>
El compresor no para de funcionar	<ol style="list-style-type: none"> <li>1. Interruptor de presión defectuoso</li> <li>2. Excesivo uso de aire</li> <li>3. Válvula de retención con fugas</li> </ol>	<ol style="list-style-type: none"> <li>1. Remplace el interruptor</li> <li>2. Reduzca el uso de aire; el compresor es muy pequeño para el uso</li> <li>3. Desarme la válvula de retención, límpiela o replácela</li> </ol>

## RESOLUCIÓN DE AVERÍAS

### RESOLUCIÓN DE AVERÍAS DEL COMPRESOR

Falla	Causas Posibles	Soluciones
El compresor vibra	Pernos de montaje sueltos	Apriéte los
Salida de aire menor que lo normal	1. Válvulas de entrada rotas 2. Filtro de entrada sucio 3. Conexiones con fugas	1. Haga que un representante de una compañía de servicio autorizado 2. repare la unidad 3. Limpie o reemplace el filtro de entrada Apriete las conexiones

# RESOLUCIÓN DE AVERÍAS

## RESOLUCIÓN DE AVERÍAS EN EL MARTILLO DE CLAVOS PEQUEÑOS

**▲ ADVERTENCIA** Deje de usar la herramienta inmediatamente si surge alguno de los siguientes problemas durante su funcionamiento. Sólo técnicos o centros de servicio calificados pueden hacer reparaciones a esta herramienta.

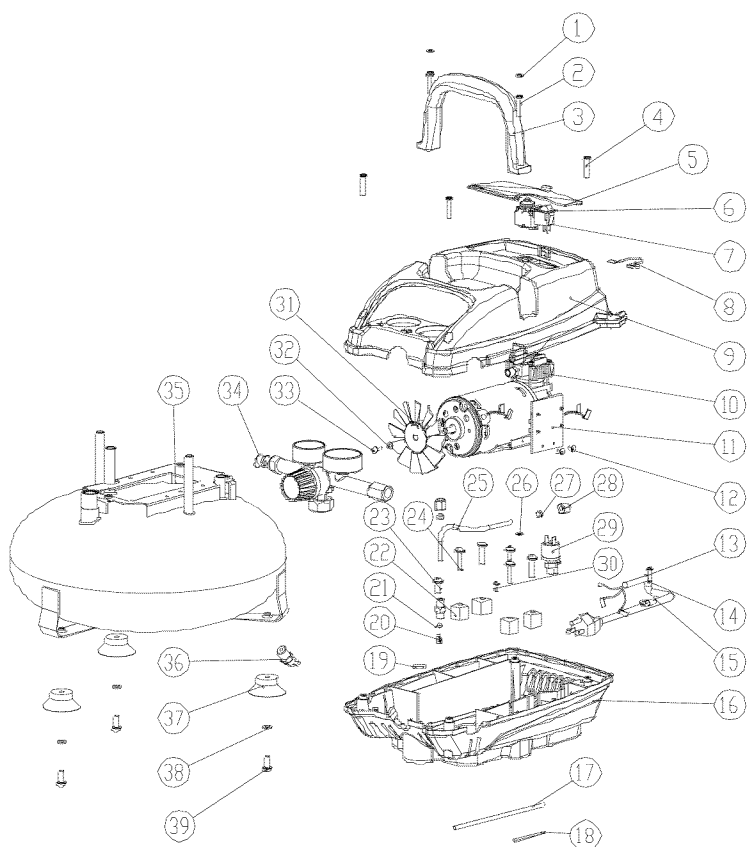
Antes de efectuar cualquier reparación o ajuste, desconecte la herramienta del suministro de aire. Al reemplazar aros tóricos o cilindros, lubríquelos con aceite para herramientas neumáticas antes de reensamblarlos.

Problem	Possible Causes	Probable Solutions
Air leak near the top of the tool or in the trigger area	<ol style="list-style-type: none"> <li>1. O-ring in trigger valve damaged.</li> <li>2. Trigger valve head damaged.</li> <li>3. Trigger valve stem, seal, or O-ring damaged.</li> </ol>	<ol style="list-style-type: none"> <li>1. Push Power Switch to On position.</li> <li>2. Check power at outlet.</li> <li>3. Plug line cord into electrical outlet.</li> </ol>
Air leak near bottom of tool.	<ol style="list-style-type: none"> <li>1. Loose screws</li> <li>2. Worn or damaged O-rings or bumper.</li> </ol>	<ol style="list-style-type: none"> <li>1. Tighten screws.</li> <li>2. Check and replace O-rings and/or bumper.</li> </ol>
Air leak between body and cylinder cap.	<ol style="list-style-type: none"> <li>1. Loose screws.</li> <li>2. Worn or damaged O-rings or seals.</li> </ol>	<ol style="list-style-type: none"> <li>1. Tighten screws.</li> <li>2. Check and replace O-rings or seals.</li> </ol>
Fasteners being driven too deep.	<ol style="list-style-type: none"> <li>1. Worn bumper.</li> <li>2. Air pressure is too high.</li> </ol>	<ol style="list-style-type: none"> <li>1. Replace bumper.</li> <li>2. Adjust air pressure.</li> </ol>
Tool does not function well, does not drive fasteners, operates sluggishly.	<ol style="list-style-type: none"> <li>1. Inadequate air supply.</li> <li>2. Inadequate lubrication.</li> <li>3. Worn or damaged O-rings or seals.</li> <li>4. Exhaust port in cylinder head is blocked.</li> </ol>	<ol style="list-style-type: none"> <li>1. Verify adequate air supply.</li> <li>2. Place 2–6 drops of oil into air inlet to lubricate.</li> <li>3. Check and replace O-rings or seals.</li> <li>4. Consult qualified service technician to replace internal parts.</li> </ol>
Tool skips fasteners	<ol style="list-style-type: none"> <li>1. Worn bumper or damaged loading spring.</li> <li>2. Dirt in front plate.</li> <li>3. Dirt or damage is preventing fasteners from moving freely in the magazine.</li> <li>4. Worn or dried-out O-ring on piston, or lack of lubrication.</li> <li>5. Cylinder cover seal leaking.</li> </ol>	<ol style="list-style-type: none"> <li>1. Replace bumper or loading spring.</li> <li>2. Clean drive channel on front plate.</li> <li>3. Clean magazine.</li> <li>4. O-ring needs to be replaced or lubricated.</li> <li>5. Replace sealing washer.</li> </ol>
Tool jams	<ol style="list-style-type: none"> <li>1. Incorrect or damaged fasteners.</li> <li>2. Damaged or worn driver guide.</li> <li>3. Magazine or nose screw loose.</li> <li>4. Magazine is dirty.</li> </ol>	<ol style="list-style-type: none"> <li>1. Change and use correct fasteners.</li> <li>2. Check and replace the driver guide.</li> <li>3. Tighten the magazine.</li> <li>4. Clean the magazine.</li> </ol>

# DIAGRAMA DEL COMPRESOR DE AIRE

Compresor de aire Artículo 15206

LAS PIEZAS SE MUESTRAN COMO REFERENCIA SOLAMENTE



## LISTA DE PIEZAS

### Compresor de aire Artículo 15206

Artíc.	Pieza No.	Descripción	Cant	Artíc.	Pieza No.	Descripción	Cant
1	3290408	Arandelas planas	2	21	3410152	Esfera	1
2	3220552	Tornillos, M5x25	2	22	3420350	Almohadillas de amortiguación	4
3	3410652	Manija	1	23	3220150	Tornillos, M6x15	6
4	3220404	Tornillos, ST4.2x25	4	24	3220250	Tornillos, M6x25	4
5	3410452	Cubierta de la herramienta	1	25	3390250	Tubo de cobre	1
6	3630252	Protector, sobrecarga	1	26	3290651	Arandela	1
7	3630150	Interruptor	1	27	3020152	Aros de cobre	2
8	3111352	Conjunto del alambre eléctrico	1	28	3020252	Perillas del conector de cobre	2
9	3410352	Tornillo, ST4.2x25	1	29	3630152-1	Controlador de la presión	1
10	3110252	Conjunto de motor y bomba	1	30	3220840	Tornillos, M4x10	1/2
11	3110152	Tablero de circuito	1	31	3410350	Ventilador	1
12	3220840	Tornillos, M4x8	2	32	3290706	Arandela plana	1
13	3640152	Cordón eléctrico	1	33	3220205	Tornillo, M4x10	1
14	3220475	Tornillo, ST4.8x15	1	34	3110752	Conjunto del regulador de presión	1
15	3410302-1	Sujetador de alambre	1	35	3330152-1	Tanque, 3 galones	1
16	3410552	Cubierta, inferior	1	36	3290275	Conjunto de la válvula para drenaje	1
17	3030150	Tubos	18	37	3420150	Patas	3
18	3410329	Sujetador	1	38	3290750	Arandelas planas	6
19	3420652	Anillo para sello	1	39	3220150	Tornillos, M6x15	3/6
20	3290252	Resorte	1				

# Get it fixed, at your home or ours!

## Your Home

For repair – **in your home** – of **all** major brand appliances, lawn and garden equipment, or heating and cooling systems, **no matter who made it, no matter who sold it!**

For the replacement parts, accessories and owner's manuals that you need to do-it-yourself.

For Sears professional installation of home appliances and items like garage door openers and water heaters.

**1-800-4-MY-HOME<sup>®</sup>** Anytime, day or night  
(1-800-469-4663) (U.S.A. and Canada)  
[www.sears.com](http://www.sears.com) [www.sears.ca](http://www.sears.ca)

---

## Our Home

For repair of carry-in products like vacuums, lawn equipment, and electronics, call or go on-line for the nearest **Sears Parts and Repair Center.**

**1-800-488-1222** Anytime, day or night (U.S.A. only)  
[www.sears.com](http://www.sears.com)

---

To purchase a protection agreement (U.S.A.) or maintenance agreement (Canada) on a product serviced by Sears:

**1-800-827-6655** (U.S.A.) **1-800-361-6665** (Canada)

---

Para pedir servicio de reparación a domicilio, y para ordenar piezas:

**1-888-SU-HOGAR<sup>SM</sup>**  
(1-888-784-6427)

Au Canada pour service en français:

**1-800-LE-FOYER<sup>MC</sup>**  
(1-800-533-6937)  
[www.sears.ca](http://www.sears.ca)



© Sears, Roebuck and Co.

® Registered Trademark / <sup>TM</sup> Trademark / <sup>SM</sup> Service Mark of Sears, Roebuck and Co.

® Marca Registrada / <sup>TM</sup> Marca de Fábrica / <sup>SM</sup> Marca de Servicio de Sears, Roebuck and Co.

<sup>MC</sup> Marque de commerce / <sup>MD</sup> Marque déposée de Sears, Roebuck and Co.

## Free Manuals Download Website

<http://myh66.com>

<http://usermanuals.us>

<http://www.somanuals.com>

<http://www.4manuals.cc>

<http://www.manual-lib.com>

<http://www.404manual.com>

<http://www.luxmanual.com>

<http://aubethermostatmanual.com>

Golf course search by state

<http://golfingnear.com>

Email search by domain

<http://emailbydomain.com>

Auto manuals search

<http://auto.somanuals.com>

TV manuals search

<http://tv.somanuals.com>