

Owner's Manual

CRAFTSMAN[®]

AIR COMPRESSOR

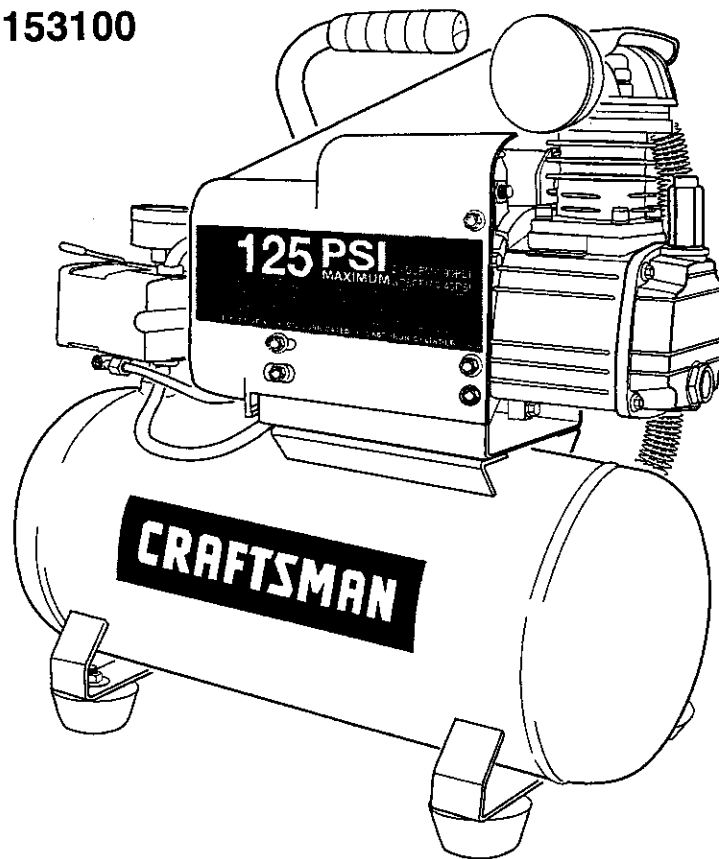
3-gallon

1.5 HP (max developed)

1 HP Running

Oil Lubricated

Model No. 921.153100



CAUTION:

Before using this product, read this manual and follow all its Safety Rules and Operating Instructions.

- Safety Instructions
- Installation & Operation
- Maintenance & Storage
- Troubleshooting Guide
- Parts List
- Español, p. 10

Sears, Roebuck and Co., Hoffman Estates, IL 60179 U.S.A.
www.sears.com/craftsman

TABLE OF CONTENTS

	Page
Warranty	see below
Safety Instructions	1
Important Safety Instructions & Guidelines	1
Specifications.....	2
Glossary	2
Duty Cycle	2
Parts & Features	3
Installation & Assembly	4
Operating Procedures	5
Maintenance	6
Storage	6
Troubleshooting Guide	7
Parts List.....	8
Español.....	10
Service Number.....	back cover

ONE YEAR FULL WARRANTY ON CRAFTSMAN AIR COMPRESSOR

If this Craftsman Air Compressor fails due to manufacturer's defects in material or workmanship within one year of the date of purchase, RETURN IT TO THE NEAREST SEARS STORE OR SERVICE CENTER IN THE UNITED STATES and it will be replaced or repaired (at our option), free of charge.

If this Air Compressor is used for commercial or rental purposes, this warranty applies for only 90 days from the date of purchase. This warranty gives you specific legal rights and you may also have other rights which vary from state to state.

**Sears, Roebuck and Co., Dept. 817WA,
Hoffman Estates, IL 60179**

Safety Instructions

The information listed below should be read and understood by the operator. This information is given to protect the user while operating and storing the air

compressor. We utilize the symbols below to allow the reader to recognize important information about their safety.




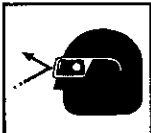
⚠ DANGER	⚠ CAUTION
Indicates an imminently hazardous situation which, if not avoided, will result in death or serious injury.	Indicates a potentially hazardous situation which, if not avoided, may result in minor or moderate injury.
⚠ WARNING	CAUTION
Indicates a potentially hazardous situation which, if not avoided, could result in death or serious injury	When used without the safety alert symbol indicates a potentially hazardous situation which, if not avoided, may result in property damage.

Important Safety Instructions and Guidelines

- Save all instructions

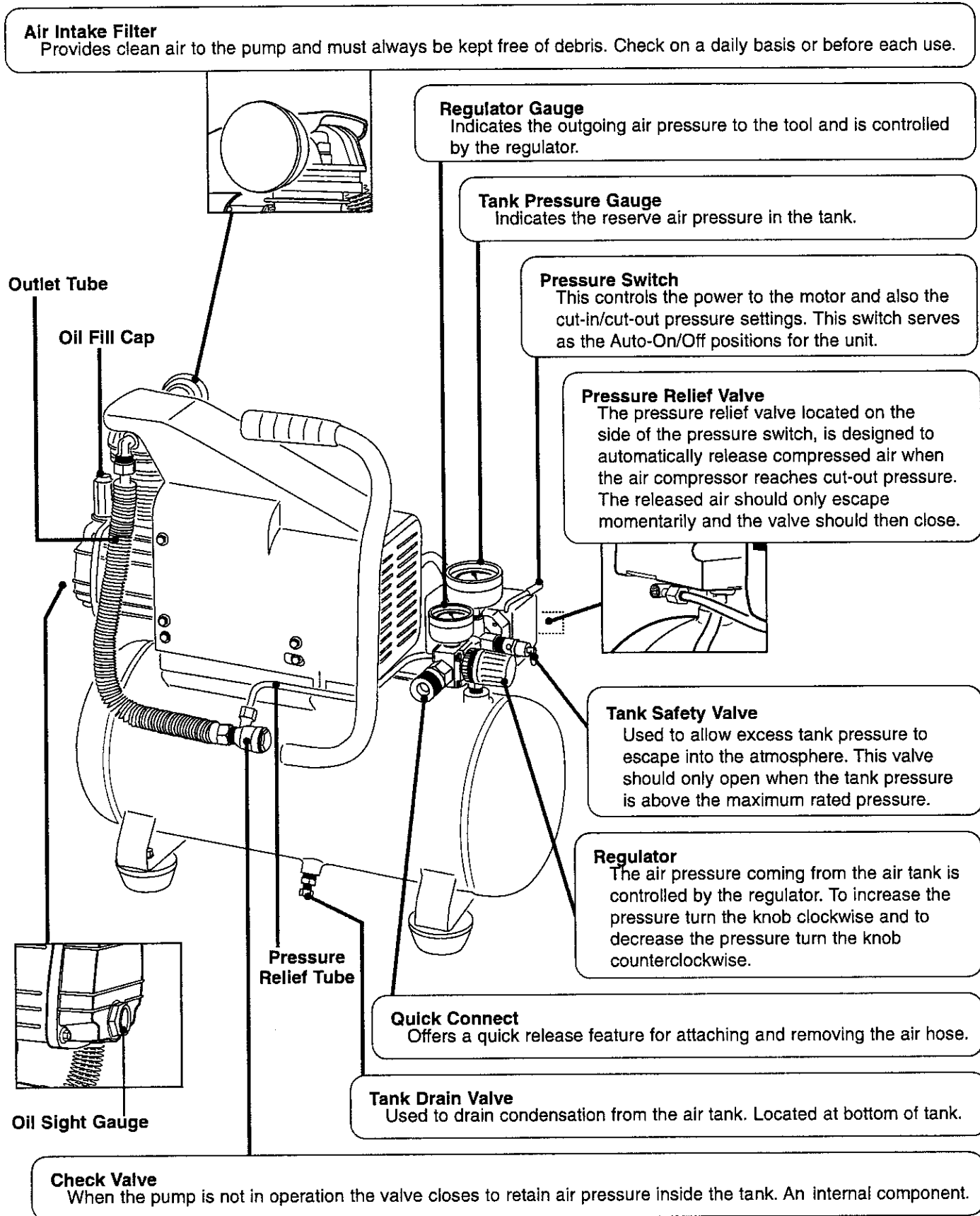
⚠ WARNING

Improper operation or maintenance of this product could result in serious injury and/or property damage. Read and understand all of the warnings and safety instructions provided before using this equipment.

CAUTION	The air compressor should be operated on a dedicated 15 amp circuit. If the circuit does not have 15 free amps available, a larger circuit must be used. Always use more air hose before utilizing extension cords. All extension cords used must be 12 gauge with a maximum length of 25 ft. The circuit fuse type must be a time delay. Low voltage could cause damage to the motor.
Risk of Moving Parts 	If the air compressor is in operation, all guards and covers should be attached or installed correctly. If any guard or cover has been damaged, do not operate the equipment until the proper personnel has correctly repaired the equipment. The power cord should be free of any moving parts, twisting and/or crimping while in use and while in storage.
Risk of Burns 	There are surfaces on your air compressor that while in operation and thereafter can cause serious burns if touched. The equipment should be allowed time to cool before any maintenance is attempted. Items such as the compressor pump and the outlet tube are normally hot during and after operation.
Risk of Falling 	Operation of the air compressor should always be in a position that is stable. Never use the air compressor on a rooftop or elevated position that could allow the unit to fall or be tipped over. Use additional air hose for elevated jobs.
Risk from Flying Objects 	Always wear ANSI Z87.1 approved safety glasses with side shields when the air compressor is in use. Turn off the air compressor and drain the air tank before performing any type of maintenance or disassembly of the hoses or fittings. Never point any nozzle or sprayer toward any part of the body or at other people or animals.

Parts & Features

See figures below for reference.



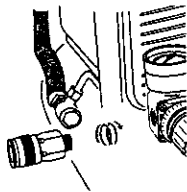
Installation & Assembly

⚠ WARNING

The air compressor should be turned off and unplugged from the power source before any maintenance is performed as well as the air bled from the tank and the unit allowed time to cool. Personal injuries could occur from moving parts, electrical sources, compressed air or hot surfaces. The regulator assembly must be attached before use. Failure to assemble correctly could result in leaks and possible injury. If unsure of assembly instructions or you experience difficulty in the assembly please call your local service department for further instruction.

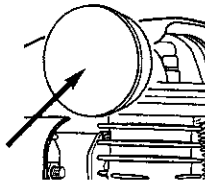
Quick Connect Assembly

1. Before assembly be sure that the Quick Connect (Q.C.) threads have a sealant applied from the factory to prevent leaks around the threads. If no sealant is present, wrap the threaded portion with Teflon tape.
2. Attach the Q.C. assembly to the air compressor by aligning the Q.C. threads to the regulator on the manifold. Be certain to align the threads before tightening to prevent thread damage.
3. The assembly should turn clockwise 1 to 1.5 revolutions after hand-tightening with a 13/16ths size wrench. To prevent damage and leaks, do not over-tighten.



To Install the Air Intake Filter

Remove the air intake filter from the poly bag and thread it onto the head of the compressor as shown.

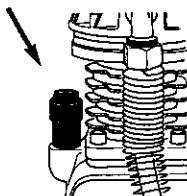


⚠ CAUTION

Do not attempt to start the air compressor without first adding oil to the crankcase. Serious damage can result unless filled with oil. The pump is shipped without oil from the factory. Only use non-detergent oils since multi-viscosity motor oils leave carbon deposits on pump components, thus reducing performance and compressor life.

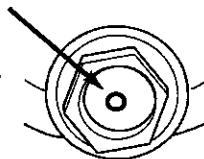
⚠ WARNING

Drain the tank to release all tank air pressure before removing the oil fill cap. Be sure the air vent in the oil fill cap (see figure to the right) is free from debris. If air vent is blocked, pressure can build in crankcase causing damage to the compressor and possible personal injury.



Lubrication and Oil

Remove the oil fill cap by turning it counter-clockwise by hand. Fill the compressor pump with an air compressor oil such as SAE-30 non-detergent (API CG/CD Heavy Duty) oil at slow intervals until the oil reaches the center of the red circle in the sight glass (see figure above). Use SAE-10 during extreme winter conditions.

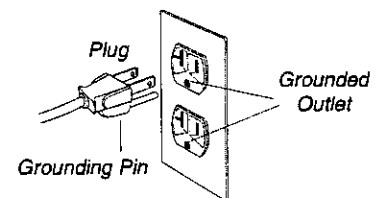


Location of the Air Compressor

The air compressor should always be located in a clean, dry, and well ventilated environment. The unit should have at minimum, 12 inches of space on each side. The air filter intake should be free of any debris or obstructions. Check the air filter on a daily basis to be sure it is clean and in working order.

Grounding Instructions

This product should be grounded. In the event of an electrical short circuit, grounding reduces the risk of electric shock by providing an escape wire for the electric current. This product is equipped with a cord having a grounding wire with an appropriate grounding plug. (See the figure below.) The plug must be plugged into an outlet that is properly installed and grounded in accordance with all local codes and ordinances. Check with a qualified electrician or service personnel if these instructions are not completely understood or if in doubt as to whether the tool is properly grounded.



⚠ WARNING

Improper installation of the grounding plug will result in a risk of electric shock. If repair or replacement of the cord or plug is necessary, do not connect the grounding wire to either flat blade terminal. The wire with insulation having an outer surface that is green with or without yellow stripes is the grounding wire. Check with a qualified electrician or serviceman if the grounding instructions are not completely understood, or if in doubt as to whether the product is properly grounded. Do not modify the plug provided; if it will not fit the outlet, have the proper outlet installed by a qualified electrician.

This product is for use on a circuit having a nominal rating of 120 volts and is factory-equipped with a specific electric cord and plug to permit connection to a proper electric circuit. Make sure that the product is connected to an outlet having the same configuration as the plug. No adapter should be used with this product. If the product must be reconnected for use on a different type of electric circuit, qualified service personnel should make the reconnection.

Extension Cords

Use only a 3-wire extension cord that has a 3-blade grounding plug, and a 3-slot receptacle that will accept the plug on the product. Make sure your extension cord is in good condition. When using an extension cord, be sure to use one heavy enough to carry the current your product will draw. Cords must not exceed 25 feet and No. 12 AWG size must be used. An undersized cord will cause a drop in line voltage resulting in loss of power and overheating.

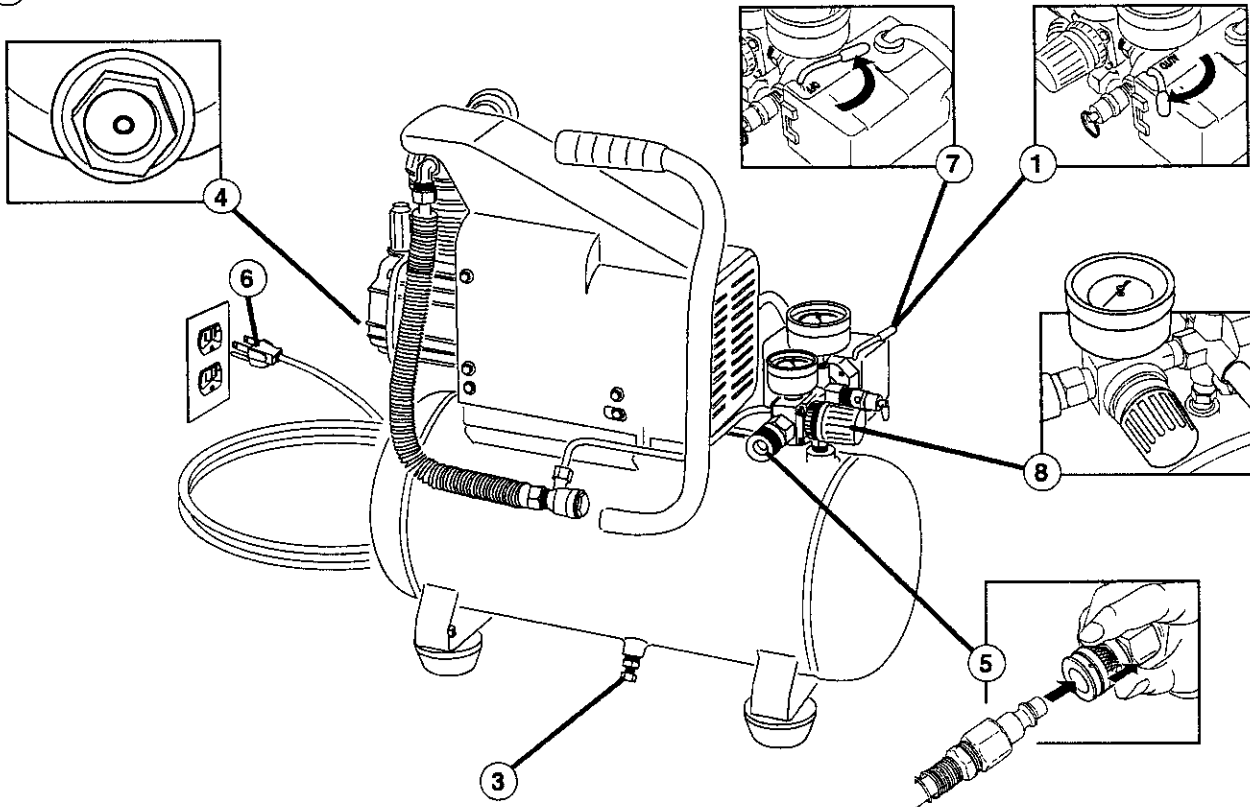
Break In Procedures

No break in procedure is required by the user. This product is factory tested to ensure proper operation and performance.

Operating Procedures

Daily Start-Up Procedures

1. Set the Auto-On/Off lever to the Off position.
2. Check the air compressor visually for any damage or obstruction.
3. Close the drain valve.
4. Check the oil level of the pump.
5. Connect the air hose to the quick connect socket on the regulator assembly by inserting the quick connect plug on the air hose into the quick connect socket. The quick connect socket collar will snap forward and lock the plug into place providing an air tight seal between the socket and plug. To release the air hose push the collar back on the quick connect socket.
6. Plug the power cord into the proper receptacle.



7. Turn the Auto-On/Off lever to the On-Auto position and the compressor will start and build air pressure in the tank to cut-out pressure and then shut off automatically.
8. Adjust the regulator to a PSI setting that is needed for your application and be sure it is within the safety standards required to perform the task. If using a pneumatic tool, the manufacturer should have recommendations in the manual for that particular tool on operating PSI settings.

Note: The air compressor is now ready for use. The following inflation and cleaning accessories packaged with this unit should only be operated at maximum pressure of 20-30 PSI: blow gun, tapered nozzle, inflation needles, blow gun adapter.

Daily Shut-Down Procedures

1. Set the Auto-On/Off lever to the Off position.
2. Unplug the power cord from the receptacle.
3. Set the outlet pressure to zero on the regulator.
4. Remove any air tools or accessories. When draining the tank, always use ear and eye protection. Drain the tank in a suitable location; condensation will be present in most cases of draining.
5. Open the drain valve allowing air to bleed from the tank. After all of the air has bled from the tank, close the drain valve to prevent debris buildup in the valve.

CAUTION

When draining the tank, always use ear and eye protection. Drain the tank in a suitable location; condensation will be present in most cases of draining.

WARNING

Water that remains in the tank during storage will corrode and weaken the air tank which could cause the tank to rupture. To avoid serious injury, be sure to drain the tank after each use or daily.

Maintenance

NOTE: Any service procedure not covered in the maintenance schedule below should be performed by qualified service personnel.

Items to Check/Change	Before each use or daily	After first 10 hours	Every 100 hours
Check Tank Safety Valve	X		
Overall Unit Visual Check	X		
Check Oil Level	X		
Change Oil		X	X
Check Air Filter (more frequently in dusty or humid environments)	X		
Drain Tank (after each use or daily)	X		

⚠ CAUTION

To ensure efficient operation and longer life of the air compressor unit, a routine maintenance schedule should be followed. The following schedule is geared toward a consumer whose compressor is used in a normal working environment on a daily basis. If necessary, the schedule should be modified to suit the conditions under which your compressor is used. The modifications will depend upon the hours of operation and the working environment. Air compressors used in an extremely dirty and/or hostile environment will require a greater frequency of all maintenance checks.

Oil Changing

For changing the pump oil, be sure to do the following:

1. Turn the unit off and unplug the power cord from the receptacle.
2. Allow the compressor time to cool if it has been in operation.
3. Open the drain valve to bleed all air from the tank.
4. Close the drain valve.
5. Remove the oil fill cap on the pump.
6. Remove the sight glass with a box end wrench or socket. Drain the oil into a suitable container and dispose of properly. The compressor may need to be tipped slightly towards the drain hole to allow all of the oil to drain.

Storage

For storing the air compressor, be sure to do the following:

1. Turn the unit off and unplug the power cord from the receptacle.
2. Remove all air hoses, accessories, and air tools from the air compressor.
3. Perform the daily maintenance schedule.

⚠ WARNING

The air compressor should be turned off and unplugged from the power source before any maintenance is performed as well as the air bled from the tank and the unit allowed time to cool. Personal injuries could occur from moving parts, electrical sources, compressed air or hot surfaces.

7. Reattach the sight glass. **Note:** Torque the sight glass 10-12 inch lbs. when re-assembling. Be sure the gasket is between the sight glass and the pump crankcase.
8. Refill the compressor pump with an air compressor oil such as SAE-30 non-detergent (API CG/CD Heavy Duty) oil at slow intervals until the oil reaches the center of the red circle in the sight glass. Use a SAE-10 during extreme winter conditions.

4. Open the drain valve to bleed all air from the tank.
5. Close the drain valve.
6. Store the air compressor in a clean and dry location.

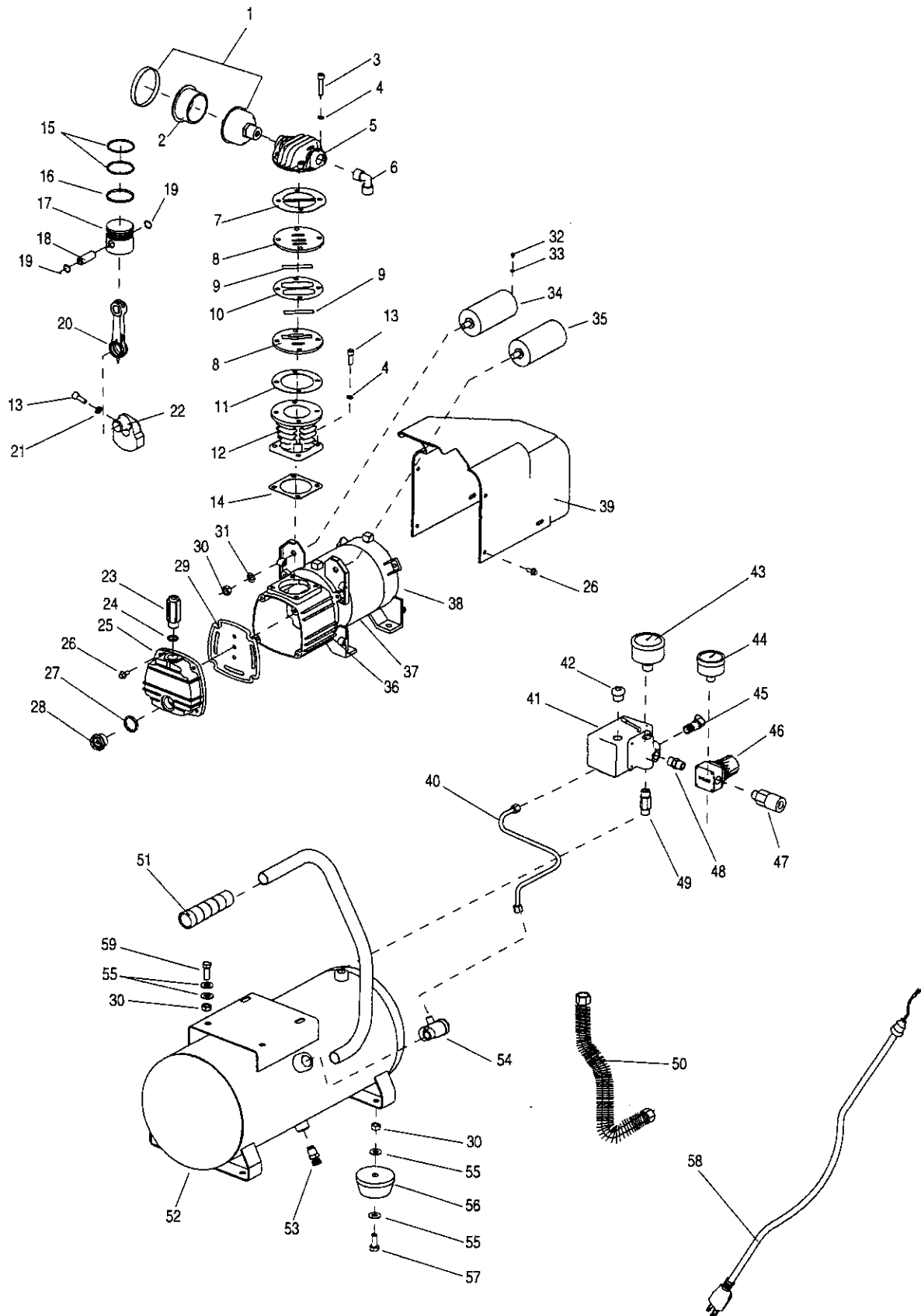
Troubleshooting Guide

⚠ WARNING The air compressor should be turned off and unplugged from the power source before any maintenance is performed as well as the air bled from the tank and the unit allowed time to cool. Personal injuries could occur from moving parts, electrical sources, compressed air, or hot surfaces.

PROBLEM	POSSIBLE CORRECTION
Air leaks at the check valve or at the pressure relief valve.	A defective check valve results in a constant air leak at the pressure relief valve when there is pressure in the tank and the compressor is shut off. Drain the tank, then remove and clean or replace the check valve.
Air leaks between head and cylinder.	Be sure of proper torque on head bolts. If leak remains, contact a service technician.
Air leak from safety valve.	Operate the safety valve manually by pulling on the ring. If the valve continues to leak when in the closed position, it should be replaced.
Pressure reading on the regulated pressure gauge drops when an accessory is used.	If there is an excessive amount of pressure drop when the accessory is used, replace the regulator. NOTE: Adjust the regulated pressure under flow conditions (while accessory is being used). It is normal for the gauge to show minimal pressure loss during initial use of the tool.
Excessive tank pressure.	Move the Auto-On/Off lever to the Off position. If the unit doesn't shut off, unplug it from the power source and contact a service technician.
Motor will not start.	Make sure power cord is plugged in and the switch is on. Inspect for the proper size fuse in your circuit box. If the fuse was tripped, reset it and restart the unit. If repeated tripping occurs, replace the check valve or contact a service technician.
Excessive moisture in the discharge air.	Remove the water in the tank by draining after each use. High humidity environments will cause excessive condensation. Utilize water filters on your air line. NOTE: Water condensation is not caused by compressor malfunction. Be sure the compressor's air output is greater than your tool's air consumption rate.
Air leaks from the tank body or tank welds.	Never drill into, weld or otherwise modify the air tank or it will weaken. The tank can rupture or explode. Compressor cannot be repaired. Discontinue use of the air compressor.

Craftsman Air Compressor Model 921.153100

Parts List



Craftsman Air Compressor Model 921.153100

Parts List

Reference Number	Kit Number	Part Number	Description	Quantity	Reference Number	Kit Number	Part Number	Description	Quantity																												
1	1	E100434	Intake Filter Housing, 1/2 NPT (Kunsan)	1	41		E100957	Pressure Switch	1																												
2	1	E100435	Filter Element (Kunsan)	1	42		E100594	Strain Relief	2																												
3			Head Bolt, M6 x 1.0 x 30	4	43		E100205	Pressure Gauge, 2" 200PSI	1																												
4			Lock Washer, 6mm	8	44		E100093	Pressure Gauge, 1.5" 200PSI	1																												
5		E100227	Cylinder Head	1	45		E100094	Safety Valve	1																												
6		E100085	Exhaust Elbow	1	46		E100059	Regulator	1																												
7	2		Gasket, Head	1	47		E100091	Coupler, Quick Connect	1																												
8		E100228	Valve Plate	2	48		E100595	Nipple, 1/4" NPT x 27mm	1																												
9		E100229	Valve Reed	2	49		E100596	Nipple, 1/4" NPT x 80mm	1																												
10	2		Gasket, Valve Plate	1	50			Outlet Tube Assy	1																												
11	2		Gasket, Cylinder Upper	1	51		E100097	Grip, Handle	1																												
12			Cylinder, ID42mm x H65mm	1	52			Tank	1																												
13	3		Bolt, M6 x 1.0 x 20	5	53		E100098	Drain Valve, 1/4" NPT	1																												
14	2		Gasket, Cylinder Lower	1	54		E100099	Check Valve	1																												
15	3		Ring, Compression	2	55	6		Flat Washer, 8mm	16																												
16	3		Ring, Scraper	1	56	6		Isolator, Rubber	4																												
17	3		Piston	1	57	6		Bolt, M8 x 1.25mm x 20mm	4																												
18	3		Piston Pin	1	58		E100101	Power Cord 14/3 x 6'	1																												
19	3		Snap Ring, 12mm	2	59			Bolt, M8 x 1.25mm x 25mm	4																												
20	3		Rod Connecting	1	Not Shown		E100110	Label, Drain Tank Warning	1																												
21	3		Nut, M6 x 1.0	1	Not Shown		E100370	Label, Specification HP, Tank size	1																												
22	3		Eccentric	1	Not Shown		E100859	Label, Warning Bilingual Tank	1																												
23	4		Oil Fill Cap	1	Not Shown		E100731	Manual, Operators/Parts	1																												
24	4		O Ring, OD17mm x 2mm	1	<p>Note: Any part/kit number field without a number is not available. Descriptions are provided for reference only. The Kit # column represents that the part being offered is available in a kit. One of each part per kit will be offered.</p> <p>Kit number and parts that are included are as follows:</p> <table style="width: 100%; border-collapse: collapse;"> <thead> <tr> <th style="width: 10%;">Kit No.</th> <th style="width: 10%;">Part No.</th> <th style="width: 50%;">Description</th> <th style="width: 30%;">Reference No.</th> </tr> </thead> <tbody> <tr> <td>1</td> <td>E100434</td> <td>Intake Filter Kit</td> <td>1, 2</td> </tr> <tr> <td>2</td> <td>E100959</td> <td>Gasket Kit</td> <td>7, 10-11, 14, 29</td> </tr> <tr> <td>3</td> <td>E100251</td> <td>Piston Kit</td> <td>13, 15-22</td> </tr> <tr> <td>4</td> <td>E100087</td> <td>Oil Fill Cap w/O-ring</td> <td>23-24</td> </tr> <tr> <td>5</td> <td>E100088</td> <td>Oil Sight Gauge w/O-ring</td> <td>27-28</td> </tr> <tr> <td>6</td> <td>E100102</td> <td>Isolator Kit</td> <td>30, 55-57</td> </tr> </tbody> </table>					Kit No.	Part No.	Description	Reference No.	1	E100434	Intake Filter Kit	1, 2	2	E100959	Gasket Kit	7, 10-11, 14, 29	3	E100251	Piston Kit	13, 15-22	4	E100087	Oil Fill Cap w/O-ring	23-24	5	E100088	Oil Sight Gauge w/O-ring	27-28	6	E100102	Isolator Kit	30, 55-57
Kit No.	Part No.	Description	Reference No.																																		
1	E100434	Intake Filter Kit	1, 2																																		
2	E100959	Gasket Kit	7, 10-11, 14, 29																																		
3	E100251	Piston Kit	13, 15-22																																		
4	E100087	Oil Fill Cap w/O-ring	23-24																																		
5	E100088	Oil Sight Gauge w/O-ring	27-28																																		
6	E100102	Isolator Kit	30, 55-57																																		
25			Cover, Crankcase	1																																	
26		E100235	Bolt, M5 x 0.8 x 15	10																																	
27	5		Seal, Oil Sight Gauge	1																																	
28	5		Oil Sight Gauge	1																																	
29	2		Rubber Baffle	1																																	
30	6		Nut, M8 x 1.25	10																																	
31			Washer, Flat 8mm	2																																	
32			Screw, M3 x 0.5 x 6	4																																	
33			Spring Washer, 3mm	4																																	
34		E100248	Capacitor, Starting (200µF)	1																																	
35		E100247	Capacitor, Running (40µF)	1																																	
36			Crank Case	1																																	
37			Motor	1																																	
38			Cover, Motor Rear	1																																	
39		E100955	Shroud	1																																	
40		E100956	Pressure Relief Tube Assy	1																																	

CONTENIDO

	Página
Garantía	esta página
Instrucciones de seguridad	11
Instrucciones y pautas de seguridad importantes	11
Especificaciones	12
Glosario	12
Ciclo de trabajo	12
Partes y características	13
Instalación y ensamblaje	14
Procedimientos de operación	15
Mantenimiento	16
Almacenamiento	16
Diagnóstico y corrección de fallas	17
Lista de partes	8

GARANTÍA DE UN AÑO SOBRE COMPRESOR DE AIRE CRAFTSMAN

Si este compresor de aire Craftsman llega a fallar debido a defectos de manufactura o de materiales atribuibles al fabricante en un plazo de un año desde la fecha de compra, DEVUÉLVALO A LA TIENDA O CENTRO DE SERVICIO SEARS MÁS CERCANO EN LOS ESTADOS UNIDOS para que le sea reemplazado o reparado (a opción nuestra) sin ningún cargo.

Si este compresor de aire se usa con fines comerciales o de renta, esta garantía únicamente aplica por 90 (noventa) días a partir de la fecha de compra. Esta garantía le da derechos legales específicos; además, es posible que usted tenga otros derechos, los cuales varían según el estado.

**Sears, Roebuck and Co., Dept. 817WA,
Hoffman Estates, IL 60179**

Instrucciones de seguridad

El operador debe leer y entender la información siguiente. Esta información se ofrece para proteger al usuario durante la operación y el almacenaje del

compresor. Los símbolos siguientes son los que se utilizan para indicar al lector información que es importante para su seguridad.




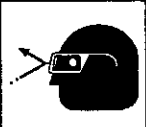
⚠ PELIGRO	⚠ PRECAUCIÓN
Indica una situación de riesgo inminente que, de no evitarse, provocaría lesiones graves o la muerte.	Indica una situación potencialmente peligrosa que, de no evitarse, podría provocar lesiones menores o moderadas.
⚠ ADVERTENCIA	PRECAUCIÓN
Indica una situación potencialmente peligrosa que, de no evitarse, podría provocar lesiones graves o la muerte.	Al aparecer sin el símbolo de alerta de seguridad, indica una situación potencialmente peligrosa que, de no evitarse, podría causar daños materiales.





Instrucciones y pautas de seguridad importantes

- Guarde todas las instrucciones •

⚠ ADVERTENCIA

La operación y el mantenimiento inadecuados de este producto pueden provocar lesiones graves y daños materiales. Antes de utilizar este equipo, lea y entienda las advertencias e instrucciones de seguridad aquí contenidas.

PRECAUCIÓN	El compresor de aire se debe operar desde un circuito dedicado de 15 amperes. Si el circuito no dispone de una capacidad de 15 amperes, se debe usar un circuito de mayor capacidad. Si es necesario, antes de emplear una extensión eléctrica, añada una manguera de aire más larga. Las extensiones eléctricas deben ser de calibre 12 y tener una longitud máxima de 7.6 metros. El fusible del circuito debe ser de acción retardada. Un voltaje demasiado bajo puede dañar el motor.
Riesgo por partes en movimiento 	Antes de operar el compresor, todos los protectores y cubiertas deben estar instalados correctamente. Si alguno de los protectores o cubiertas está dañado, no opere el equipo sino hasta que personal calificado repare el problema. El cable de corriente se debe mantener alejado de las partes móviles del equipo y no debe torcerse ni prensarse durante su empleo ni al ser almacenado.
Riesgo de quemaduras 	En su compresor hay superficies que, de ser tocadas durante y después de su operación, pueden causar quemaduras graves. Antes de darle mantenimiento al equipo, se le debe dejar enfriar. Por lo normal, durante y después de su operación, ciertas partes como la bomba del compresor y el tubo de salida estarán calientes.
Riesgo de caída 	El compresor siempre se debe operar en una posición estable. Nunca utilice el compresor sobre un techo o en una posición elevada desde donde podría caer o volcarse. Al trabajar en posiciones elevadas, utilice una manguera de aire más larga.
Riesgo de lanzamiento de objetos 	Al emplear el compresor, siempre utilice anteojos de seguridad con protectores laterales que cumplan con la norma ANSI Z87.1. Antes de llevar a cabo cualquier clase de mantenimiento y antes de desconectar las mangueras y acopladores, apague el compresor y drene el tanque de aire. Nunca apunte la boquilla o rociador hacia ninguna parte de su cuerpo ni del de otros seres.

<p>Riesgo para la respiración</p> 	<p>Evite utilizar el compresor de aire en áreas encerradas. Siempre tenga un espacio libre adecuado (30 cm.) en todos los lados del compresor. También mantenga fuera del área de operación a mascotas, niños y otras personas. Este compresor de aire no provee aire que pueda ser respirado ni empleado con un dispositivo respiratorio auxiliar. El material de rociado siempre deberá estar en otra zona, alejado del compresor de aire, para evitar que el aire aspirado dañe el filtro del compresor.</p>
<p>Riesgo de descargas eléctricas</p> 	<p>Nunca utilice el compresor de aire bajo lluvia o en lugares mojados. Los problemas eléctricos deben ser reparados por personal autorizado, tal como sería un electricista, y deben cumplir con las normas eléctricas nacionales y locales. El compresor también debe tener la clavija apropiada de tres terminales y contar con un suministro eléctrico que sea del voltaje correcto y con un fusible de protección adecuado.</p>
<p>Riesgo de explosión y fuego</p> 	<p>Nunca opere el compresor cerca de materiales combustibles, gasolina ni vapores de solventes. Si está rociando materiales inflamables, coloque el compresor a una distancia de cuando menos 6 metros del área de rociado. Nunca opere el compresor de aire en interiores o en lugares cerrados.</p>
<p>Riesgo de estallido</p> 	<p>Drene el compresor diariamente o después de cada utilización. Si el tanque tiene una fuga, reemplace el compresor. No utilice el compresor si se ha detectado una fuga, ni trate de modificar el tanque. Nunca modifique los ajustes de fábrica del compresor que controlan la presión del tanque y demás funciones.</p>

Especificaciones

Bomb De impulsión directa, lubricada con aceite
 Inducción del motor 1.5 HP máximo desarrollado,
 1 HP funcionando
 Diámetro 1.65"
 Carrera 1.26"
 Voltaje monofásico 120 VAC

Capacidad mínima del circuito 15 A
 Pies cúbicos x min. (SCFM) a 90 LPPC . . 2.4
 Capacidad del tanque de aire 3 galones
 Presión de arranque 95 LPPC (PSI)
 Presión de parada 125 LPPC (PSI)
 Pies cúbicos x min. (SCFM) a 90 LPPC . . 2.4

Glosario

aCFM: Pies cúbicos por minuto.

SCFM: Pies cúbicos estándar por minuto; unidad de medición de suministro de aire.

PSIG: Libras por pulgada cuadrada sobre la presión atmosférica; unidad de medición de presión.

ASME: Sociedad estadounidense de ingenieros mecánicos.

Código de California: La unidad puede cumplir con el código de California 462 (I) (2)/ (M) (2).

Presión de arranque: El compresor arranca automáticamente cuando la presión baja a menos del mínimo prescrito.

Presión de parada: Presión de aire que tiene que alcanzarse en el tanque para que se detenga el motor.

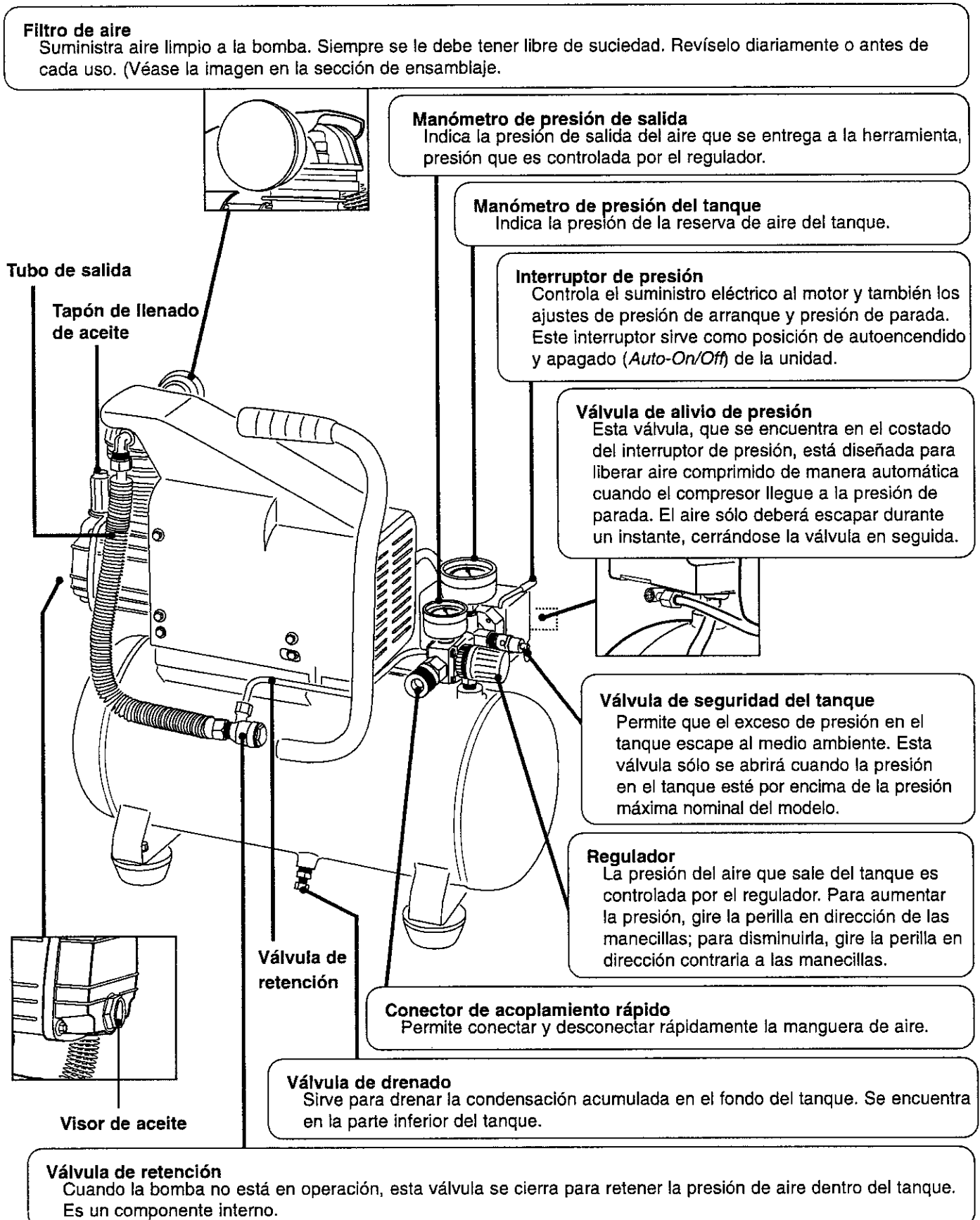
Certificación de código: Los productos que tienen alguna o varias de las siguientes marcas han sido evaluados por laboratorios de seguridad independientes certificados por OSHA, y cumplen con las normas de seguridad de Underwriters Laboratories: UL, CUL, ETL, CSA.

Ciclo de trabajo

Este compresor tiene un ciclo de trabajo de 50%. Nunca opere el compresor por más de 30 minutos cada hora. De hacerlo, podría dañarlo.

Partes y características

Como referencia, vea las figuras de abajo.



Instalación y ensamblaje

⚠ ADVERTENCIA

Antes de dar mantenimiento al compresor de aire, se le debe apagar y desconectar de la fuente de poder, además de purgar el aire del tanque y darle suficiente tiempo para enfriarse. Existe el riesgo de que las partes móviles, la fuente eléctrica, el aire comprimido y las superficies calientes provoquen lesiones. El ensamble del regulador debe estar instalado antes de usar el compresor. Un ensamblaje inadecuado puede ser causa de fugas y posiblemente de lesiones. Si no entiende las instrucciones de ensamblaje o tiene dificultad para llevar a cabo el armado, por favor llame a su departamento local de servicio.

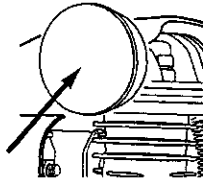
Conjunto de conexión rápida

1. Antes de ensamblar, compruebe que se haya aplicado de fábrica un sellador a la rosca del conector rápido, con el fin de evitar fugas por esa zona. Si no hay sellador, enrolle la parte roscada con cinta de teflón.
2. Conecte el conjunto de conexión rápida al compresor de aire, alineando la rosca del conector rápido con el regulador en el colector. Para evitar daños a las roscas, asegúrese de alinearlas correctamente antes de rosca las.
3. El conjunto se debe apretar a mano en dirección horaria y luego apretar de 1 a 1.5 vueltas con una llave de 13/16". Para evitar daños y fugas, no apriete demasiado.



Instalación del filtro de aire

Saque el filtro de aire de entrada de la bolsa de poliuretano y enrósquela en el cabezal de la compresora, como se muestra.

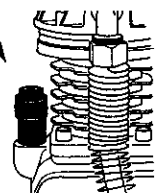


⚠ PRECAUCIÓN

El aire sin antes añadir aceite al depósito. De no llenarlo de aceite y seguir el procedimiento de operación, el compresor podría sufrir daños graves. La bomba sale de la fábrica sin aceite. En el depósito queda una pequeña cantidad de aceite, sobrante de las pruebas en la fábrica. Sólo use aceite no detergente, pues los aceites multigrado para motor dejan depósitos de carbón en los componentes de la bomba, reduciendo el desempeño y la vida del compresor.

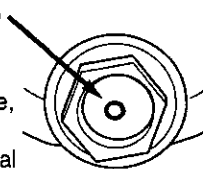
⚠ ADVERTENCIA

Antes de quitar el tapón de llenado de aceite, drene el tanque para liberar la presión de aire. Compruebe que el respiradero del tapón de llenado de aceite esté limpio (vea la ilustración). Si está bloqueado, puede haber una acumulación de presión en el depósito, dañando el compresor y posiblemente causando lesiones al operador.



Lubricación y aceite

Quite el tapón de llenado de aceite girándolo con la mano en dirección contraria a las manecillas. Llene lentamente la bomba del compresor con aceite para compresor de aire, como aceite SAE-30 no detergente (API CG/CD de trabajo pesado) hasta que llegue al centro del círculo rojo del visor, como se muestra en la imagen. En condiciones extremas de invierno use aceite SAE-10.

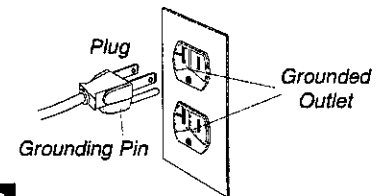


Ubicación del compresor de aire

El compresor de aire siempre debe estar en un medio ambiente limpio, seco y bien ventilado. La unidad debe tener cuando menos 30 cm. de espacio libre en cada lado. La toma del filtro de aire debe estar libre de suciedad y obstrucciones. Por favor revise diariamente el filtro de aire para comprobar que esté limpio y en correcto estado de funcionamiento.

Instrucciones de conexión a tierra

Este producto se debe conectar a tierra. En caso de cortocircuito, la conexión a tierra reduce el riesgo de descargas eléctricas al ofrecer un alambre de escape para la corriente eléctrica. Este producto cuenta con un cable que tiene un alambre de tierra y una clavija con terminal de tierra. La clavija debe enchufarse en un tomacorriente instalado y puesto a tierra según las normas locales. Hable con un electricista o agente de servicio calificado si no entiende completamente estas instrucciones, o si tiene dudas sobre la correcta puesta a tierra de la herramienta.



⚠ ADVERTENCIA

Una conexión a tierra inadecuada puede provocar una descarga eléctrica. Si necesita reparar o cambiar el cable o la clavija, no conecte el alambre de tierra a ninguna de las terminales planas. El alambre de tierra es el de color verde, con o sin franjas amarillas. Si no entiende completamente las instrucciones de conexión a tierra, o si tiene dudas sobre la correcta puesta a tierra de la herramienta, hable con un electricista o agente de servicio calificado. No modifique la clavija que viene con el equipo; si no puede enchufarla en el tomacorriente, llame a un electricista para que cambie el tomacorriente.

Este producto está diseñado para trabajar en un circuito con un voltaje nominal de 120 volts y está dotado de fábrica con un cable y clavija que permiten su conexión a un circuito eléctrico apropiado. Asegúrese de que el producto esté conectado a un tomacorriente con la misma configuración que la clavija. No se debe usar un adaptador con este equipo. Si se debe conectar el equipo a un circuito eléctrico de diferente tipo, consiga la ayuda de personal calificado.

Extensiones eléctricas

Sólo utilice una extensión eléctrica de tres alambres con una clavija aterrizada de tres terminales que pueda enchufarse en un tomacorriente de tres orificios. Asegúrese de que su extensión eléctrica esté en buenas condiciones. Si utiliza una extensión, compruebe que sea de la capacidad de corriente que requiere su equipo. Las product is factory tested to ensure proper operation and performance.

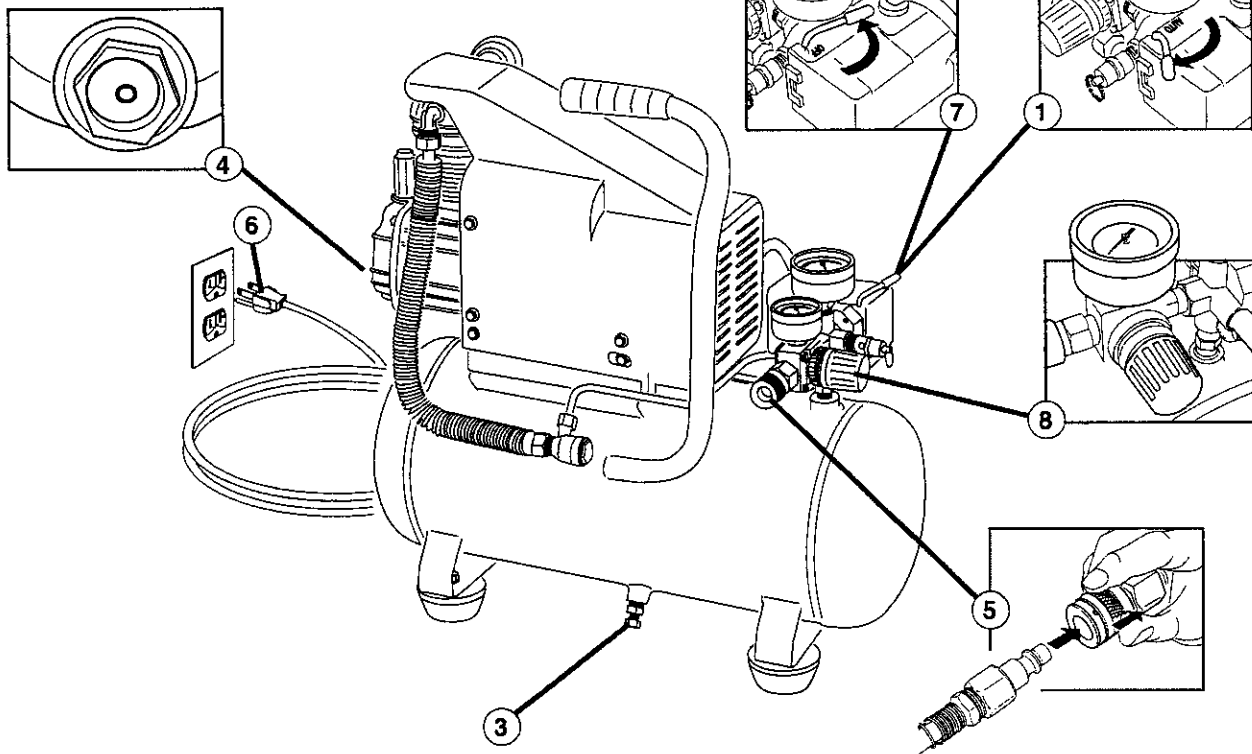
Procedimiento inicial de preparación

No se requiere un procedimiento inicial de preparación. Este producto ha sido probado en la fábrica para asegurar su operación y desempeño adecuados.

Procedimientos de operación

Procedimiento diario de arranque

1. Ponga el interruptor *Auto-On/Off* en la posición de apagado (*Off*).
2. Compruebe visualmente que el compresor no tenga daños ni obstrucciones.
3. Cierre la válvula de drenado.
4. Revise el nivel de aceite de la bomba.
5. Enchufe la manguera de aire al conector de acoplamiento rápido de la unidad del regulador. El collarín del conector de acoplamiento rápido saltará para adelante, sujetando el enchufe y efectuando un sello entre el conector y el enchufe. Para desconectar la manguera de aire, empuje hacia atrás el collarín del conector de acoplamiento rápido.
6. Enchufe el cable de corriente en un tomacorriente apropiado.



7. Mueva el interruptor *Auto-On/Off* a la posición de encendido (*Auto-On*); el compresor deberá arrancar, acumulando presión de aire en el tanque hasta llegar a la presión de apagado, momento en el cual se apagará de manera automática.
8. Ajuste el regulador a la presión de aire recomendada para su aplicación, cerciorándose de que está dentro de las normas de seguridad para llevar a cabo la tarea. En el caso de herramientas neumáticas, el manual del fabricante debe tener recomendaciones sobre su presión de operación.

Nota: Ahora el compresor de aire está listo para ser usado. Los siguientes accesorios de inflado y limpieza, los cuales vienen con esta unidad, sólo se deben operar a una presión máxima de 20-30 PSI: soplete (y su adaptador), boquilla cónica, agujas de inflado.

Procedimiento diario de apagado

1. Ponga el interruptor en la posición de apagado (*Off*).
2. Desconecte el cable del tomacorriente.
3. Ponga en cero el regulador de presión de salida.
4. Desconecte las herramientas y accesorios. Siempre use protección para oídos y ojos al drenar el tanque. Drene el tanque en un lugar adecuado; en casi todos los casos habrá presencia de condensación en el drenaje.
5. Abra la válvula de drenado permitiendo que escape el aire del tanque. Cuando haya salido del tanque todo el aire, cierre la válvula de drenado para evitar que le entre suciedad.

⚠ PRECAUCIÓN

Al drenar el tanque utilice protección para oídos y ojos. Drene el tanque en un lugar apropiado; en la mayoría de las ocasiones al drenar saldrá condensación.

⚠ ADVERTENCIA

Si no drena el tanque, en su interior quedará agua que lo corroerá y debilitará, lo cual puede provocar su ruptura. Siempre drene el tanque diariamente o después de cada uso.

Mantenimiento

NOTA: Cualquier procedimiento de servicio que no esté cubierto en el programa de mantenimiento que sigue deberá ser efectuado por personal de servicio calificado.

Puntos a revisar o cambiar	Antes de cada uso o diariamente	Tras las primeras 10 horas	Cada 100 horas
Revisar la válvula de seguridad del tanque	X		
Revisar visualmente el aspecto general de la unidad	X		
Revisar el nivel de aceite	X		
Cambiar el aceite		X	X
Revisar el filtro de aceite (con mayor frecuencia si se trabaja en ambientes polvosos o húmedos)	X		
Drene el tanque (cada vez que sea usado o diariamente)	X		

⚠ PRECAUCIÓN

A fin de asegurar una operación eficiente y una larga vida del compresor, debe seguirse un programa de mantenimiento de rutina. El siguiente programa de mantenimiento está enfocado al consumidor cuyo compresor es usado en un medio ambiente normal y con una periodicidad diaria. De ser necesario, el programa se debe modificar para adecuarlo a las condiciones bajo las cuales se usará su compresor. Los compresores empleados en medios ambientes muy sucios u hostiles requerirán mantenimiento más frecuente.

Cambio de aceite

El procedimiento para cambiar el aceite de la compresora es el siguiente:

1. Apague el compresor y desenchufe el cable de corriente.
2. Si el compresor ha estado en operación, permita que se enfríe.
3. Abra la válvula de drenado para vaciar el aire del tanque.
4. Cierre la válvula de drenado.
5. Quite el tapón de llenado de aceite que se encuentra en la bomba.
6. Quite el visor con una llave de tuercas o de cubo. Deje que drene el aceite en un recipiente adecuado y deseche este contenedor de manera apropiada. Tal vez haya que inclinar el compresor ligeramente hacia adelante para que salga todo el aceite.

⚠ ADVERTENCIA

Antes de dar mantenimiento al equipo, se le debe apagar y desconectar del tomacorriente, así como purgar el aire del tanque y permitir que la unidad se enfríe. Las partes en movimiento, las fuentes eléctricas, el aire comprimido y las superficies calientes pueden provocar lesiones.

7. Vuelva a colocar el visor. **NOTA:** apriete el visor a un par de apriete de 10 a 12 libras-pulgada. Revise también la colocación del empaque entre el visor y el cárter del compresor.
8. Llene lentamente la bomba del compresor con aceite para compresor de aire, como aceite SAE-30 no detergente (API CG/CD de trabajo pesado) hasta que llegue al centro del círculo rojo del visor. En condiciones de invierno extremas use aceite SAE-10.

Almacenamiento

Para almacenar el compresor, asegúrese de hacer lo siguiente:

1. Lleve a cabo el programa de mantenimiento de rutina.
2. Apague la unidad y desconecte del tomacorriente la clavija.
3. Quite del compresor las mangueras, accesorios y herramientas de aire.
4. Abra la válvula de drenado para drenar el aire del tanque.
5. Cierre la válvula de drenado.
6. Guarde el compresor en un lugar limpio y seco.

Diagnóstico y corrección de fallas

⚠ ADVERTENCIA Antes de dar mantenimiento al equipo, se le debe apagar y desconectar del tomacorriente, así como purgar el aire del tanque y permitir que la unidad se enfríe. Las partes en movimiento, las fuentes eléctricas, el aire comprimido y las superficies calientes pueden provocar lesiones.

PROBLEMA	POSIBLE CORRECCIÓN
Fuga de aire en la válvula de retención o en la válvula de alivio.	Una válvula de retención defectuosa provoca una fuga de aire constante en la válvula de alivio cuando está apagado el compresor teniendo presión de aire. Drene el tanque y quite y limpie o cambie la válvula de retención.
Fugas de aire entre la cabeza y el cilindro.	Compruebe el apriete de los pernos de la cabeza. Si continúa la fuga, llame a un técnico de servicio.
Fuga de aire en la válvula de seguridad.	Opere manualmente la válvula de seguridad tirando del anillo. Si el tanque continúa teniendo una fuga estando la válvula en posición cerrada, ésta deberá ser cambiada.
La presión indicada en el manómetro de presión	Si al usar un accesorio hay una caída excesiva de presión, cambie el regulador. regulada cae al usar un accesorio. NOTA Ajuste la presión regulada bajo condiciones de flujo (mientras se utiliza un accesorio). Es normal que el manómetro indique una caída de presión mínima al comenzar a utilizar la herramienta.
Presión excesiva en el tanque.	Apague el interruptor de encendido. Si la unidad no se apaga, desconéctela del tomacorriente y comuníquese con un técnico de servicio.
El motor no arranca.	Compruebe que el cable de corriente está enchufado y que el interruptor está encendido. Compruebe que el fusible de la caja de circuitos sea de la capacidad adecuada. Si se ha disparado, restablézcalo y reorganice la unidad. Si el fusible se dispara con frecuencia, revise la válvula de retención o llame a un técnico de servicio.
Humedad excesiva en el aire de salida.	Saque el agua del tanque drenándolo después de cada vez que se use. En los medios ambientes de alta humedad habrá un exceso de condensación; instale filtros de agua en su línea de aire. NOTA La condensación no es provocada por una falla en el compresor. Compruebe que la salida de aire del compresor sea mayor que el consumo de aire de su herramienta.
Fugas de aire en el cuerpo o la soldadura del tanque.	Nunca taladre, suelde o modifique de ninguna manera el tanque, pues se debilitará. El tanque podría romperse o explotar. El tanque no puede ser reparado. Ya no utilice el compresor de aire.

Get it fixed, at your home or ours!

Your Home

For repair – in **your home** – of **all** major brand appliances, lawn and garden equipment, or heating and cooling systems, **no matter who made it, no matter who sold it!**

For the replacement parts, accessories and owner's manuals that you need to do-it-yourself.

For Sears professional installation of home appliances and items like garage door openers and water heaters.

1-800-4-MY-HOME® (1-800-469-4663)

Call anytime, day or night (U.S.A. and Canada)

www.sears.com

www.sears.ca

Our Home

For repair of carry-in items like vacuums, lawn equipment, and electronics, call or go on-line for the location of your nearest

Sears Parts & Repair Center.

1-800-488-1222

Call anytime, day or night (U.S.A. only)

www.sears.com

To purchase a protection agreement on a product serviced by Sears:

1-800-827-6655 (U.S.A.)

1-800-361-6665 (Canada)

Para pedir servicio de reparación a domicilio, y para ordenar piezas:

1-888-SU-HOGARSM

(1-888-784-6427)

Au Canada pour service en français:

1-800-LE-FOYER^{MC}

(1-800-553-6937)

www.sears.ca

SEARS

® Registered Trademark/™ Trademark/SM Service Mark of Sears, Roebuck and Co.

® Marca Registrada/™ Marca de Fábrica/SM Marca de Servicio de Sears, Roebuck and Co.

MC Marque de commerce/ MC Marque déposée de Sears, Roebuck and Co.

© Sears, Roebuck and Co.

Free Manuals Download Website

<http://myh66.com>

<http://usermanuals.us>

<http://www.somanuals.com>

<http://www.4manuals.cc>

<http://www.manual-lib.com>

<http://www.404manual.com>

<http://www.luxmanual.com>

<http://aubethermostatmanual.com>

Golf course search by state

<http://golfingnear.com>

Email search by domain

<http://emailbydomain.com>

Auto manuals search

<http://auto.somanuals.com>

TV manuals search

<http://tv.somanuals.com>