

Owner's Manual

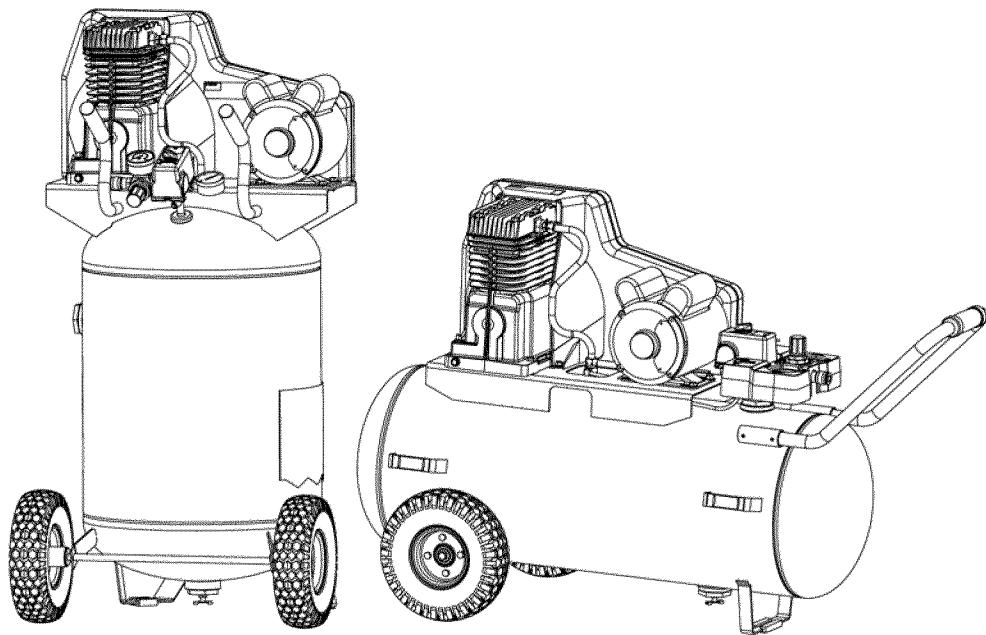


## AIR COMPRESSOR

Belt Drive, Electric  
25 and 27 Gallon

Model No. 921.16475

Model No. 921.16474



### CAUTION:

Before using this product,  
read this manual and follow  
all its Safety Rules and  
Operating Instructions.

- Safety Instructions
- Installation & Operation
- Maintenance & Storage
- Troubleshooting Guide
- Parts List
- Español, p. 17
- Français, p. 29

Sears Brands Management Corporation, Hoffman Estates, IL 60179 U.S.A.  
[www.craftsman.com](http://www.craftsman.com)

## TABLE OF CONTENTS

WARRANTY .....	.2	Checking the Oil .....	.9
SPECIFICATION CHART .....	.2	Changing the Oil .....	.9
SAFETY GUIDELINES .....	3-4	Belt Tension and Pulley Alignment .....	9-10
GLOSSARY OF TERMS .....	4	Replacing or Cleaning the Check Valve .....	10
OVERVIEW .....	5	Cleaning the Air Filter .....	11
Basic Air Compressor Components .....	5	Checking the Relief Valve .....	11
ASSEMBLY .....	5	Testing for Leaks .....	11
COMPRESSOR CONTROLS .....	6	Storage .....	11
MOTOR RESET AND WIRING .....	6	SERVICE INTERVAL .....	11
ELECTRICAL POWER REQUIREMENTS .....	7	TROUBLESHOOTING CHART .....	12
Electrical Wiring .....	7	PARTS DRAWINGS AND PARTS LISTS .....	13-17
Extension Cords .....	7		
Grounding Instructions .....	7		
OPERATING INSTRUCTIONS .....	8		
Break-in of the Pump .....	8		
Daily Startup .....	8		
Shutdown .....	8		
MAINTENANCE .....	9		
Draining the Tank .....	9		

## WARRANTY

### CRAFTSMAN ONE YEAR FULL WARRANTY

FOR ONE YEAR from the date of purchase, this product is warranted against any defects in material or workmanship. Defective product will receive free repair or free replacement if repair is unavailable.

For warranty coverage details to obtain repair or replacement, visit the web site: [www.craftsman.com](http://www.craftsman.com)

This warranty does not cover the air filter or drive belt, which are expendable parts that can wear out from normal use within the warranty period.

This warranty is void if this product is ever used while providing commercial services or if rented to another person.

This warranty gives you specific legal rights, and you may also have other rights which vary from state to state.

Sears Brands Management Corporation, Hoffman Estates, IL 60179 U.S.A.

## SPECIFICATION CHART

MODEL NO.	RUNNING H.P.	TANK CAPACITY GALLONS	VOLTAGE/ AMPS/PHASE	KICK-IN PRESSURE	KICK-OUT PRESSURE
921.16474 (WLB1982713)	1.9	Vert. 27 (102)	115/15/1	120 (8,27 bar)	150 (10,34 bar)
921.16475 (WPB1982513)	1.9	Horiz. 25 (94,6)	115/15/1	120 (8,27 bar)	150 (10,34bar)











## SAFETY GUIDELINES

The following information relates to protecting YOUR SAFETY and PREVENTING EQUIPMENT PROBLEMS. To help you recognize this information, we use the following symbols. Please read the manual and pay attention to these sections.

- ⚠ DANGER:** – A POTENTIAL HAZARD THAT WILL CAUSE SERIOUS INJURY OR LOSS OF LIFE.
- ⚠ WARNING:** – A POTENTIAL HAZARD THAT COULD CAUSE SERIOUS INJURY OR LOSS OF LIFE.
- ⚠ CAUTION:** – A POTENTIAL HAZARD THAT MAY CAUSE MODERATE INJURY OR DAMAGE TO EQUIPMENT.



## IMPORTANT SAFETY INSTRUCTIONS

### ⚠ WARNING:

<b>RISK OF FIRE OR EXPLOSION.</b> 	Never spray flammable liquids in a confined area. It is normal for the motor and pressure switch to produce sparks while operating. If sparks come into contact with vapors from gasoline or other solvents, they may ignite, causing fire or explosion. Always operate the compressor in a well-ventilated area. Do not smoke while spraying. Do not spray where sparks or flame are present. Keep compressor as far from spray area as possible.
<b>RISK OF BURSTING.</b> 	Do not weld, drill or modify the air tank of this compressor. Welding or modifications on the air compressor tank can severely impair tank strength and cause an extremely hazardous condition. Welding or modifying the tank in any manner will void the warranty.
<b>RISK OF ELECTRICAL SHOCK.</b> 	Never use an electric air compressor outdoors when it is raining or on a wet surface, as it may cause an electric shock.
<b>RISK OF INJURY.</b> 	This unit starts automatically. ALWAYS shut off the compressor, remove the plug from the outlet, and bleed all pressure from the system before servicing the compressor, and when the compressor is not in use. Do not use the unit with the shrouds or belt guard removed. Serious injury could occur from contact with moving parts.
<b>RISK OF BURSTING.</b> 	Check the manufacturer's maximum pressure rating for air tools and accessories. Compressor outlet pressure must be regulated so as to never exceed the maximum pressure rating of the tool. Relieve all pressure through the hose before attaching or removing accessories.
<b>RISK OF BURNS.</b> 	High temperatures are generated by the pump and manifold. To prevent burns or other injuries, DO NOT touch the pump, manifold or transfer tube while the pump is running. Allow them to cool before handling or servicing. Keep children away from the compressor at all times.
<b>RISK TO BREATHING.</b> 	Be certain to read all labels when you are spraying paints or toxic materials, and follow the safety instructions. Use a respirator mask if there is a chance of inhaling anything you are spraying. Read all instructions and be sure that your respirator mask will protect you. Never directly inhale the compressed air produced by a compressor. It is not suitable for breathing purposes.
<b>RISK OF EYE INJURY.</b> 	Always wear ANSI Z87.1 approved safety goggles when using an air compressor. Never point any nozzle or sprayer toward a person or any part of the body. Equipment can cause serious injury if the spray penetrates the skin.
<b>RISK OF BURSTING.</b> 	Do not adjust the relief valve for any reason. Doing so voids all warranties. The relief valve has been pre-set at the factory for the maximum pressure of this unit. Personal injury and /or property damage may result if the relief valve is tampered with.
<b>RISK OF BURSTING.</b> 	Do not use plastic or pvc pipe for compressed air. Use only galvanized steel pipe and fittings for compressed air distribution lines.

## IMPORTANT SAFETY INSTRUCTIONS

### ⚠ **WARNING:**

<b>RISK TO HEARING.</b> 	Always wear hearing protection when using an air compressor. Failure to do so may result in hearing loss.
	The power cord on this product contains lead, a chemical known to the State of California to cause cancer, and birth defects or other reproductive harm. <b><i>Wash hands after handling.</i></b>
<b>NOTE: ELECTRICAL WIRING.</b>	Refer to the air compressor's serial label for the unit's voltage and amperage requirements. Ensure that all wiring is done by a licensed electrician, in accordance with the National Electrical code.

### ⚠ **CAUTION:**

	Drain the moisture from the tank on a daily basis. A clean, dry tank will help prevent corrosion.
	Pull the pressure relief valve ring daily to ensure that the valve is functioning properly, and to clear the valve of any possible obstructions.
	To provide proper ventilation for cooling, the compressor must be kept a minimum of 12 inches (31 cm) from the nearest wall, in a well-ventilated area.
	Fasten the compressor down securely if transporting is necessary. Pressure must be released from the tank before transporting.
	Protect the air hose and electric cord from damage and puncture. Inspect them weekly for weak or worn spots, and replace if necessary.
	To reduce the risk of electric shock, do not expose to rain. Store indoors.
	Never operate the compressor if the power cord or plug are damaged. Have the unit serviced at a Sears or other qualified service center.

## GLOSSARY OF TERMS

#### **CFM**

Cubic feet per minute; a unit of measure of air flow.

#### **PSI**

Pounds per square inch; a unit of measure of air pressure.

#### **Kick-in pressure**

Factory set low pressure point that starts the compressor to repressurize the tank to a higher pressure.

#### **Kick-out pressure**

Factory set high pressure point that stops the compressor from increasing the pressure in the tank above a certain level.

#### **Well-ventilated**

A means of providing fresh air in exchange for dangerous exhaust or vapors.

#### **Dedicated circuit**

An electrical circuit reserved for the exclusive use of the air compressor.

## OVERVIEW

### BASIC AIR COMPRESSOR COMPONENTS

The basic components of the air compressor are the electric motor, pump, pressure switch and tank (see **Fig. 1**).

The **electric motor** (see **A**) powers the pump. The electric motor is equipped with an **overload protector** to help prevent possible motor burnout. If the motor becomes overheated, the overload protector will shut it down. Should this occur, allow the motor to cool for 10-15 minutes, then press (never force) the motor reset switch to restart the motor.

The **pump** (see **B**) compresses the air and discharges it into the tank.

The **tank** (see **C**) stores the compressed air.

The **pressure switch** (see **D**) shuts down the motor and relieves air pressure in the pump and transfer tube when the air pressure in the tank reaches the kick-out pressure. As compressed air is used and the pressure level in the tank drops to the kick-in pressure, the pressure switch restarts the motor automatically, without warning and the pump resumes compressing air.

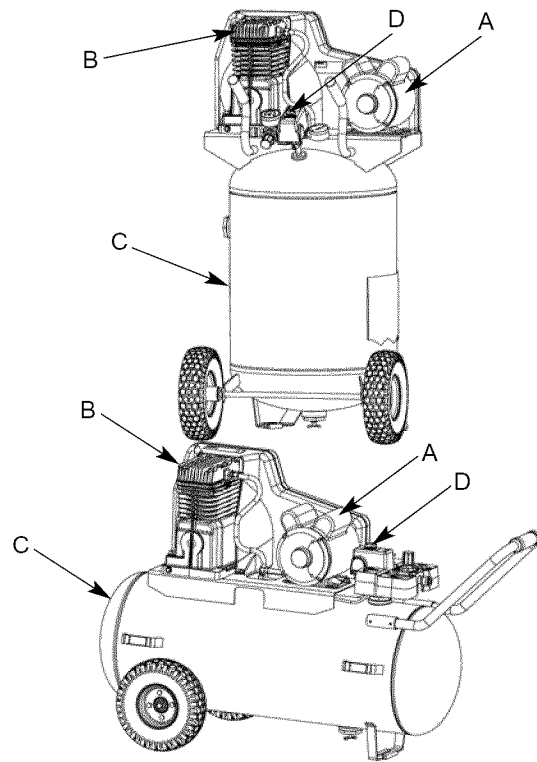


Fig. 1

## ASSEMBLY

### ASSEMBLING THE COMPRESSOR



**This compressor was shipped with oil in the pump crankcase. Check oil before operating the air compressor, see Check Oil under Maintenance.**

1. Unpack the air compressor. Inspect the unit for damage. If the unit has been damaged in transit, contact the carrier and complete a damage claim. Do this immediately because there are time limitations to damage claims.

The carton should contain:

- air compressor
- operator/parts manual
- handle (horizontal tank)

2. Check the compressor's serial label to ensure that you have received the model ordered, and that it has the required pressure rating for its intended use.
3. Install the handle by loosening the set screws (**F**) and then placing the handle ends (**E**) into the handle brackets (**G**) and secure with the set screws (**F**) (see Fig. 2). Tighten screws using a size 3mm hex wrench (not included).
4. Locate the compressor according to the following guidelines:
  - a. Position the compressor near a grounded electrical outlet (see GROUNDING INSTRUCTIONS). **Avoid using an extension cord**; use a longer air hose instead.
  - b. The flywheel side of the compressor must be at least 12 inches (31 cm) from any wall or obstruction, in a

clean, well-ventilated area, to ensure sufficient air flow and cooling.

- c. In cold climates, store portable compressors in a heated building when not in use. This will reduce problems with lubrication, motor starting and freezing of water condensation.
  - d. The compressor must be level to ensure proper lubrication of the pump and good drainage of the moisture in the tank.
5. Connect an air hose (not included) to the manifold outlet.

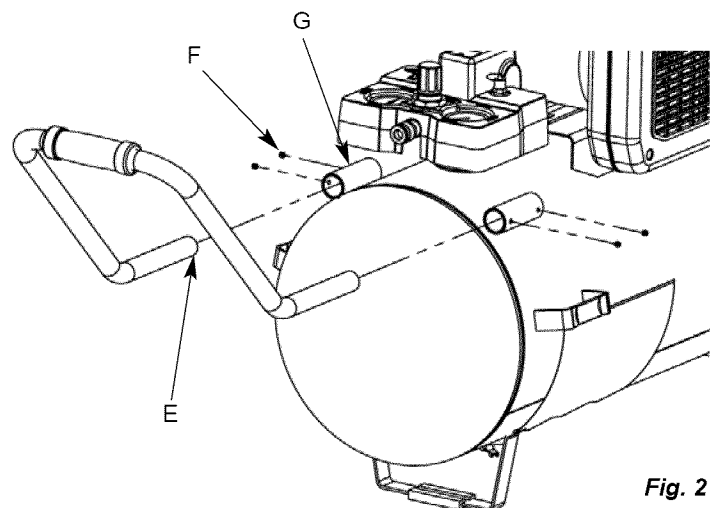


Fig. 2

## COMPRESSOR CONTROLS

### Pressure Switch (see A)

This switch turns on the compressor. It is operated manually, but when in the ON position, it allows the compressor to start up or shut down automatically, without warning, upon air demand. ALWAYS set this switch to OFF when the compressor is not being used, and before unplugging the compressor.

### Pressure Relief Valve (see B)

If the pressure switch does *not* shut down the motor when pressure reaches the preset level, this valve will pop open automatically to prevent over pressurization. To operate manually, pull the ring on the valve to relieve air pressure in the tank.

### Tank Pressure Gauge (see C)

This gauge measures the pressure level of the air stored in the tank. It is not adjustable by the operator, and does *not* indicate line pressure.

### Air Pressure Regulator (see D)

This air pressure regulator enables you to adjust line pressure to the tool you are using.

**⚠ WARNING:** Never exceed the maximum working pressure of the tool.

Turn the knob clockwise to increase pressure, and counterclockwise to decrease pressure.

### Regulated Pressure Gauge (see E)

This gauge measures the regulated line pressure.

### Quick Connect (see F)

A quick release for attaching and removing the air hose.

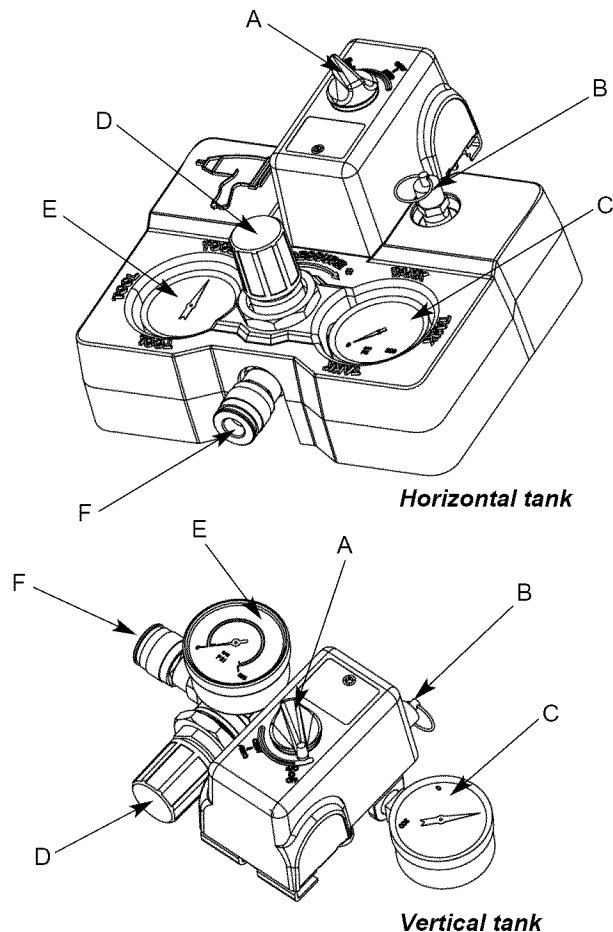


Fig. 3

## MOTOR RESET AND WIRING

### MOTOR RESET SWITCH

**⚠ WARNING:** Ensure that all guards and shrouds are in place before pressing the reset switch to restart the motor.

If the motor shuts down because of overload, wait 10–15 minutes so the motor can cool down, then press (*NEVER force*) the reset switch (see G) to restart the motor (see Fig. 4).

**NOTE:** Some models are equipped with a dual voltage motor 115/230 volt. Most models are factory wired for 115 volt operation. If conversion from 115 volt to 230 volt is required, refer to the motor nameplate and have the conversion performed by a Licensed Electrician.

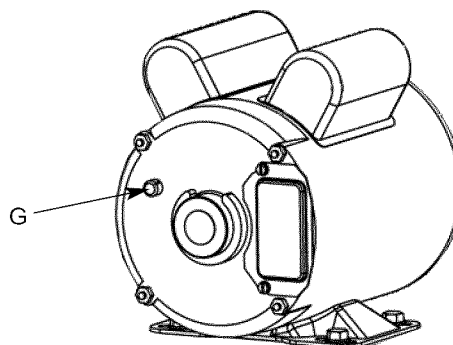


Fig. 4

# ELECTRICAL POWER REQUIREMENTS

## ELECTRICAL WIRING

Refer to the air compressor's serial label for the unit's voltage and amperage requirements.

### Use a dedicated circuit

**For best performance and reliable starting, the air compressor must be plugged into a dedicated circuit, as close as possible to the fuse box or circuit breaker.** The compressor will use the full capacity of a typical 15 amp household circuit. If any other electrical devices are drawing from the compressor's circuit, the compressor may fail to start. Low voltage or an overloaded circuit can result in sluggish starting that causes the motor overload protection system or circuit breaker to trip, especially in cold conditions.

**NOTE:** To handle the initial electrical load of starting the air compressor, a circuit breaker is recommended. If the air compressor is connected to a circuit protected by a fuse, use dual element time delay fuses (Buss Fusetron type "T" only).

## EXTENSION CORDS

**NOTE:** Avoid use of extension cords.

For optimum performance, plug the compressor power cord directly into a grounded wall socket. Do not use an extension cord unless absolutely necessary. Instead, use a longer air hose to reach the area where the air is needed.

If use of an extension cord cannot be avoided, the cord should be no longer than 50 feet and be a minimum wire size of 12 gauge (AWG). Do not use a 16 or 14 gauge extension cord.

Use only a 3-wire extension cord that has a 3-blade grounding plug, and a 3-slot receptacle that will accept the plug on the product. Make sure your extension cord is in good condition. An undersized cord will cause a drop in line voltage, resulting in loss of power and overheating. The smaller the gauge number, the heavier the cord.

## GROUNDING INSTRUCTIONS

### FOR CORD-CONNECTED MODELS:

This product should be grounded. In the event of an electrical short circuit, grounding reduces the risk of electric shock by providing an escape wire for the electric current.

This product is equipped with a cord having a grounding wire with an appropriate grounding plug. The plug must be plugged into an outlet that is properly installed and grounded in accordance with all local codes and ordinance.

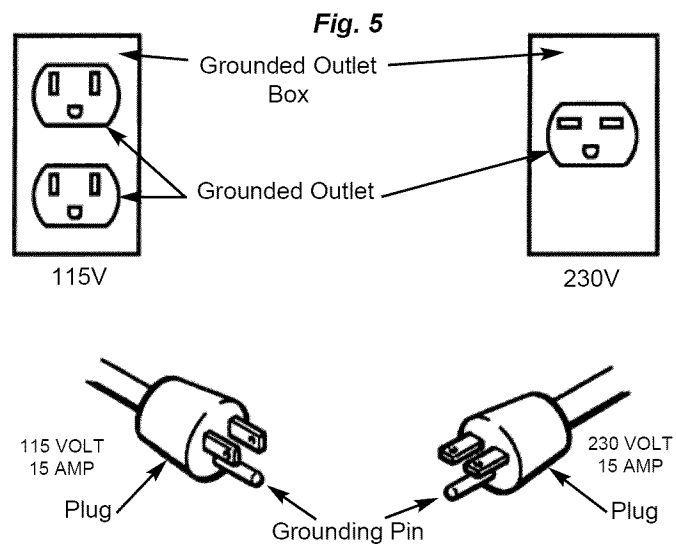
**⚠ DANGER:** Improper installation of the grounding plug can result in a risk of electric shock. If repair or replacement of the cord or plug is necessary, do not connect the grounding wire to either flat blade terminal of the plug. The wire insulation having an outer surface that is green with or without yellow stripes is the grounding wire.

This product is for use on a 115 or 230 volt circuit. A cord with a grounding plug, as shown here, shall be used.

Make sure that the product is connected to an outlet having the same configuration as the plug (see **Fig. 5**). No adapter should be used with this product.

Check with a licensed electrician if the grounding instructions are not completely understood, or if in doubt as to whether the


product is properly grounded. Do not modify the plug provided; if it will not fit the outlet, have the proper outlet installed by a licensed electrician.



# OPERATING INSTRUCTIONS

## BREAK-IN OF THE PUMP

1. Check the oil level in the pump (see "Checking the Oil" in the maintenance section).
2. Turn the pressure switch to the OFF position (see **C**).
3. Open the petcock (see **F**). Turn in the counterclockwise direction.

 **CAUTION:** Escaping air and moisture can propel debris that may cause eye injury. Wear safety goggles when opening petcock.

4. Plug in the power cord.
5. Turn the pressure switch to the ON position (see **D**). The compressor will start. Allow the compressor to run for 30 minutes, to break in the internal parts.


**NOTE:** After about 30 minutes, if the unit does not operate properly, SHUT DOWN IMMEDIATELY, and contact a Sears or other qualified service center.

6. After about 30 minutes, turn the pressure switch to the OFF position.
7. Close the petcock (see **E**). Turn in the clockwise direction.
8. Turn the pressure switch to the ON position. The compressor will start and fill the tank to the kick-out pressure and stop.


**NOTE:** As compressed air is used, the pressure switch will restart the motor automatically to supply more compressed air to the tank.

## DAILY START-UP

1. Check the oil level in the pump (see "Checking the Oil" in the maintenance section).
2. Turn the pressure switch to the OFF position (see **C**).
3. Close the tank petcock (see **E**). Turn in the clockwise direction.
4. Plug in the power cord.

 **WARNING:** High temperatures are generated by the electric motor and the pump. To prevent burns or other injuries, DO NOT touch the compressor while it is running. Allow it to cool before handling or servicing. Keep children away from the compressor at all times.


5. Turn the pressure switch to the ON position (see **D**).
6. Adjust the regulator to the working pressure of the tool.

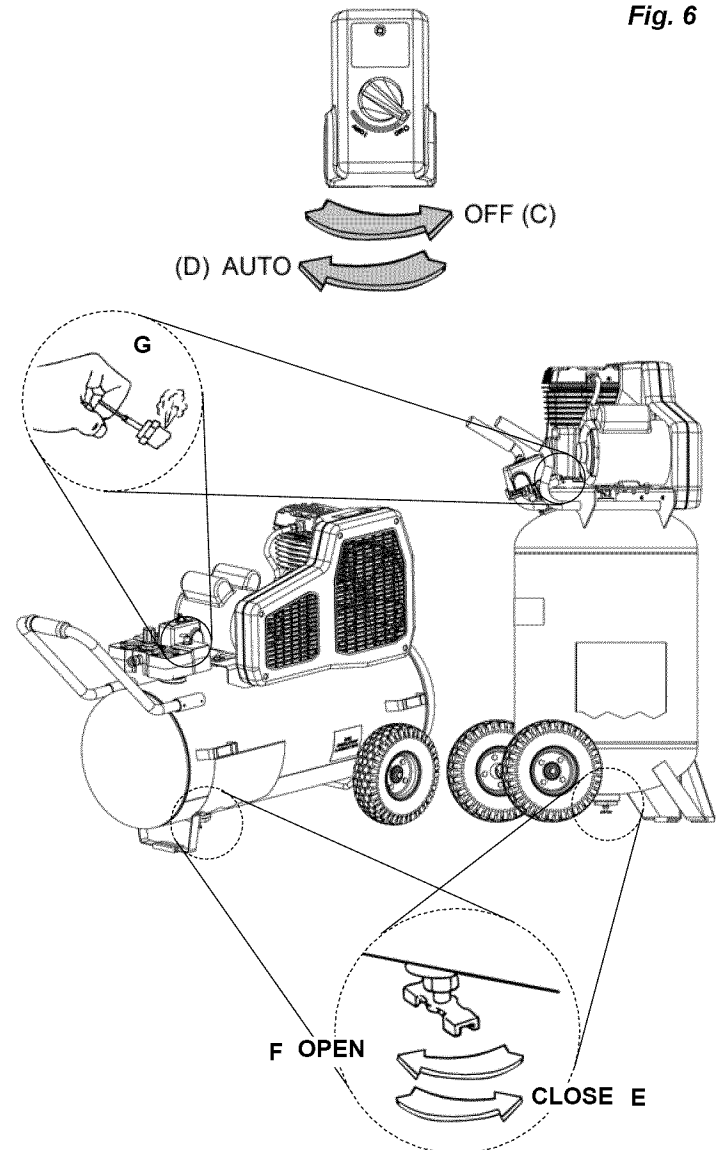
 **WARNING:** When adjusting from a higher to a lower pressure, turn the knob counterclockwise past the desired setting, then turn clockwise to reach the desired pressure. Do not exceed operating pressure of the tool or accessory being used.

## SHUTDOWN

1. Turn the pressure switch to the OFF position (see **C**).
2. Unplug the power cord.
3. Reduce pressure in the tank through the outlet hose. You can also pull the relief valve ring (see **G**) and keep it open to relieve pressure in the tank.

4. Open the petcock (see **F**) to allow moisture to drain from the tank.

 **CAUTION:** Escaping air and moisture can propel debris that may cause eye injury. Wear safety goggles when opening petcock.





# MAINTENANCE

## MAINTENANCE

**⚠ WARNING:** To avoid personal injury, always shut off and unplug the compressor and relieve all air pressure from the system before performing any service on the air compressor.

Regular maintenance will ensure trouble-free operation. Your electric powered air compressor represents high-quality engineering and construction; however, even high-quality machinery requires periodic maintenance. The items listed below should be inspected on a regular basis

## DRAINING THE TANK

**⚠ WARNING:** Condensation will accumulate in the tank. To prevent corrosion of the tank from the inside, this moisture must be drained at the end of every workday. Be sure to wear protective eyewear. Relieve the air pressure in the system and open the petcock on the bottom of the tank to drain.

## CHECKING THE OIL

To check the oil level in the pump, unscrew the dipstick and wipe off oil. Screw the dipstick all the way in and then unscrew. The pump oil level should be between between add (see C) and full (see B). Replace the dipstick. Do not overfill or underfill.

**NOTE:** Use synthetic, non-detergent air compressor oil.

## CHANGING THE OIL

Remove the oil plug (see A) and drain the oil until it slows to a drip, then close. Add compressor oil (approx. 18 oz.) until it is between full (see B) and add (see C) when the dipstick (see D) is screwed completely into the hole. Never overfill or underfill the pump.

**NOTE:** The compressor is pre-filled with synthetic oil. Use synthetic, non-detergent air compressor oil.

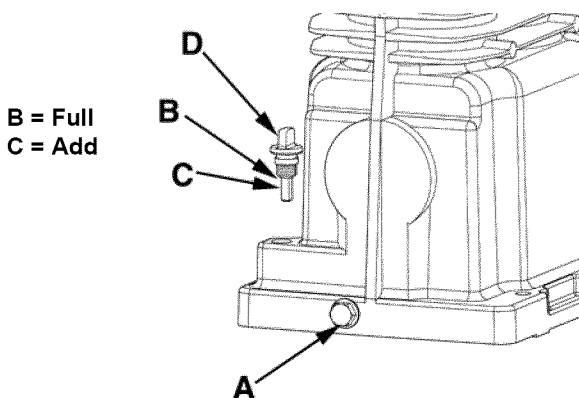


Fig. 7

## BELT TENSION AND PULLEY ALIGNMENT

**⚠ WARNING:** To avoid personal injury, always shut off and unplug the compressor and relieve all air pressure from the system before performing any service on the air compressor.

**NOTE:** Drive belt tensioning and pulley alignment are done at the same time. They are discussed separately for clarity.

## ADJUSTING DRIVE BELT TENSION

**⚠ WARNING:** RISK OF INJURY. This unit starts automatically. ALWAYS shut off the compressor, remove the plug from the outlet, and bleed all pressure from the system before servicing the compressor, and when the compressor is not in use. Do not use the unit with the shrouds or belt guard removed. Serious injury could occur from contact with moving parts.

Proper belt tension and pulley alignment must be maintained for maximum drive efficiency and belt life. The correct tension exists if a deflection (see A) of 1/2" (13 mm) occurs by placing 5 lbs (2.3 kg) of force (see B) midway between the motor pulley and the pump flywheel (See Fig. 8). This deflection can be adjusted by the following procedure. The pulley should be carefully aligned with the flywheel, and all setscrews should be kept tight.

1. Remove the belt guard.
2. Loosen the motor mounting bolts.
3. Shift the motor to the point where the correct deflection exists (A & B).
4. Retighten the motor mounting bolts.
5. Check to ensure that the tension remained correct.
6. Reinstall the belt guard. All moving parts must be guarded.

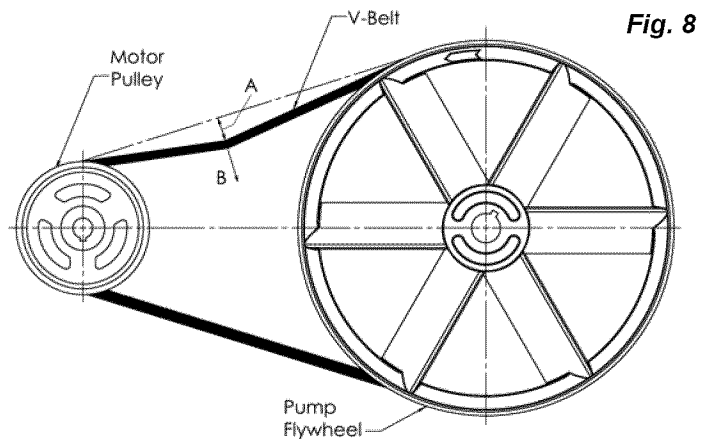
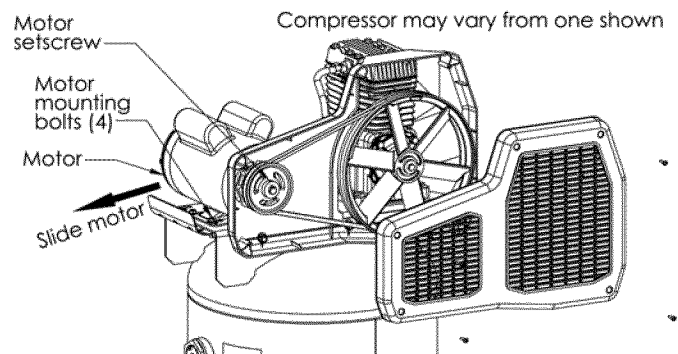


Fig. 8

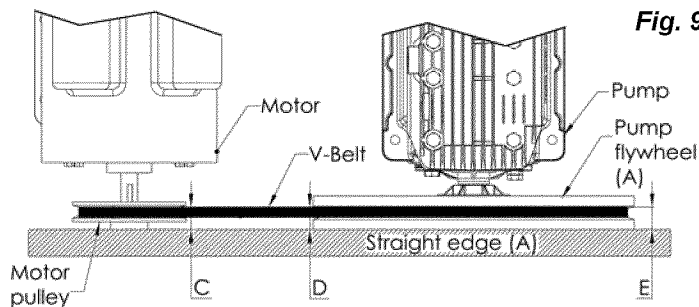


## PULLEY ALIGNMENT

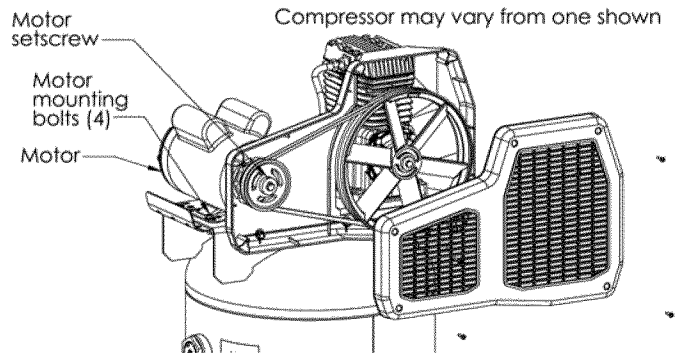
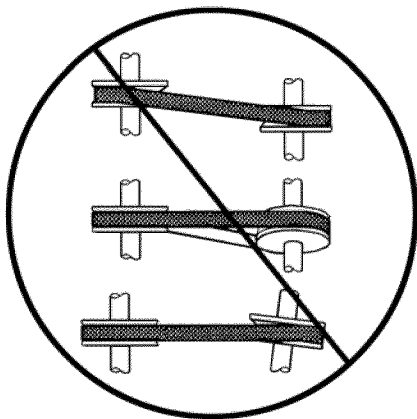
**⚠ WARNING: RISK OF INJURY.** This unit starts automatically. ALWAYS shut off the compressor, remove the plug from the outlet, and bleed all pressure from the system before servicing the compressor, and when the compressor is not in use. Do not use the unit with the shrouds or belt guard removed. Serious injury could occur from contact with moving parts.

To check pulley alignment, remove the belt guard and place a straightedge (see **A**) against the pump flywheel (see **B**) (See **Fig. 9**). Measure and record the distance from the straightedge to the edge of the drive belt at point **C**. Then measure the distance from the straightedge to the edge of the drive belt again at points **D** and **E**. Both distances should be the same as at point **C**. If **D** or **E** are different from **C**, there is a misalignment which must be corrected before the compressor is run. To correct a pulley misalignment, use the following procedure.

1. Remove the belt guard.
2. Loosen the motor mounting bolts.
3. Loosen the setscrew on the motor pulley.
4. Align the motor pulley with the pump flywheel (**C-D-E must be equal**).
5. Retighten the motor pulley setscrew.
6. Adjust the proper belt tension.
7. Retighten the motor mounting bolts.
8. Reinstall the belt guard. All moving parts must be guarded.



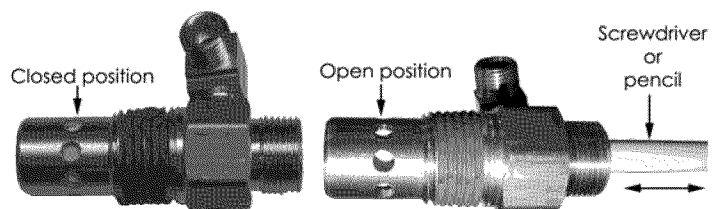
**Fig. 9**



## REPLACING OR CLEANING THE CHECK VALVE

**⚠ WARNING: RISK OF INJURY.** This unit starts automatically. ALWAYS shut off the compressor, remove the plug from the outlet, and bleed all pressure from the system before servicing the compressor, and when the compressor is not in use. Do not use the unit with the shrouds or belt guard removed. Serious injury could occur from contact with moving parts.

1. Turn air compressor off, remove the power cord from the outlet or lock out the power supply and relieve all the air pressure from the tank. Make sure the compressor has cooled down before servicing.
2. Loosen the compression nut fitting on the check valve and pump head using an adjustable wrench. Remove the transfer tube.
3. Loosen the compression nut fitting on the side of the check valve and pressure switch using an adjustable wrench. Remove the bleeder tube.
4. Making note of the orientation for reassembly, unscrew the check valve from the tank (counterclockwise) using a 7/8" open end wrench.
5. Using a pencil or screwdriver, carefully push the valve disc up and down. If the valve disc does not move freely up and down, the check valve needs to be cleaned or replaced.
6. Clean the check valve with warm soapy water and make sure to dry thoroughly before reinstalling. If the disc valve still does not move freely up and down, it will need to be replaced.
7. Apply thread sealant to the check valve threads and reinstall into the tank by turning clockwise. Make sure it is the same orientation as when it was removed.
8. Replace the bleeder tube and tighten compression nuts.
9. Replace the transfer tube and tighten compression nuts.
10. Perform the "Break-in of the pump" procedure in the operating instructions to make sure there are no leaks and it's working properly.



## MAINTENANCE

### CLEANING THE AIR FILTER

A dirty air filter will reduce the compressor's performance and life. To avoid any internal contamination of the pump, the filter should be cleaned frequently, and replaced on a regular basis. Felt filters should be cleaned in warm, soapy water, rinsed, and allowed to air dry before reinstallation. Paper filters should be replaced when dirty. Do not allow the filter to become filled with dirt or paint. If the filter becomes filled with paint, it should be replaced. Direct exposure to dirty conditions or painting areas will void your warranty.

### CHECKING THE RELIEF VALVE

Pull the relief valve daily to ensure that it is operating properly and to clear the valve of any possible obstructions.

### TESTING FOR LEAKS

Check that all connections are tight. A small leak in any of the hoses, transfer tubes, or pipe connections will substantially reduce the performance of your air compressor. If you suspect a leak, spray a small amount of soapy water around the area of the suspected leak with a spray bottle. If bubbles appear, repair or replace the faulty component. Do not over tighten any connections.

### STORAGE

Before storing the compressor for a prolonged period, use an air blow gun to clean all dust and debris from the compressor. Disconnect the power cord and coil it up. Pull the pressure relief valve to release all pressure from the tank. Drain all moisture from the tank. Clean the filter element and filter housing; replace the element if necessary. Drain the oil from the pump crankcase and replace it with new oil. Cover the entire unit to protect it from moisture and dust.

## SERVICE INTERVAL

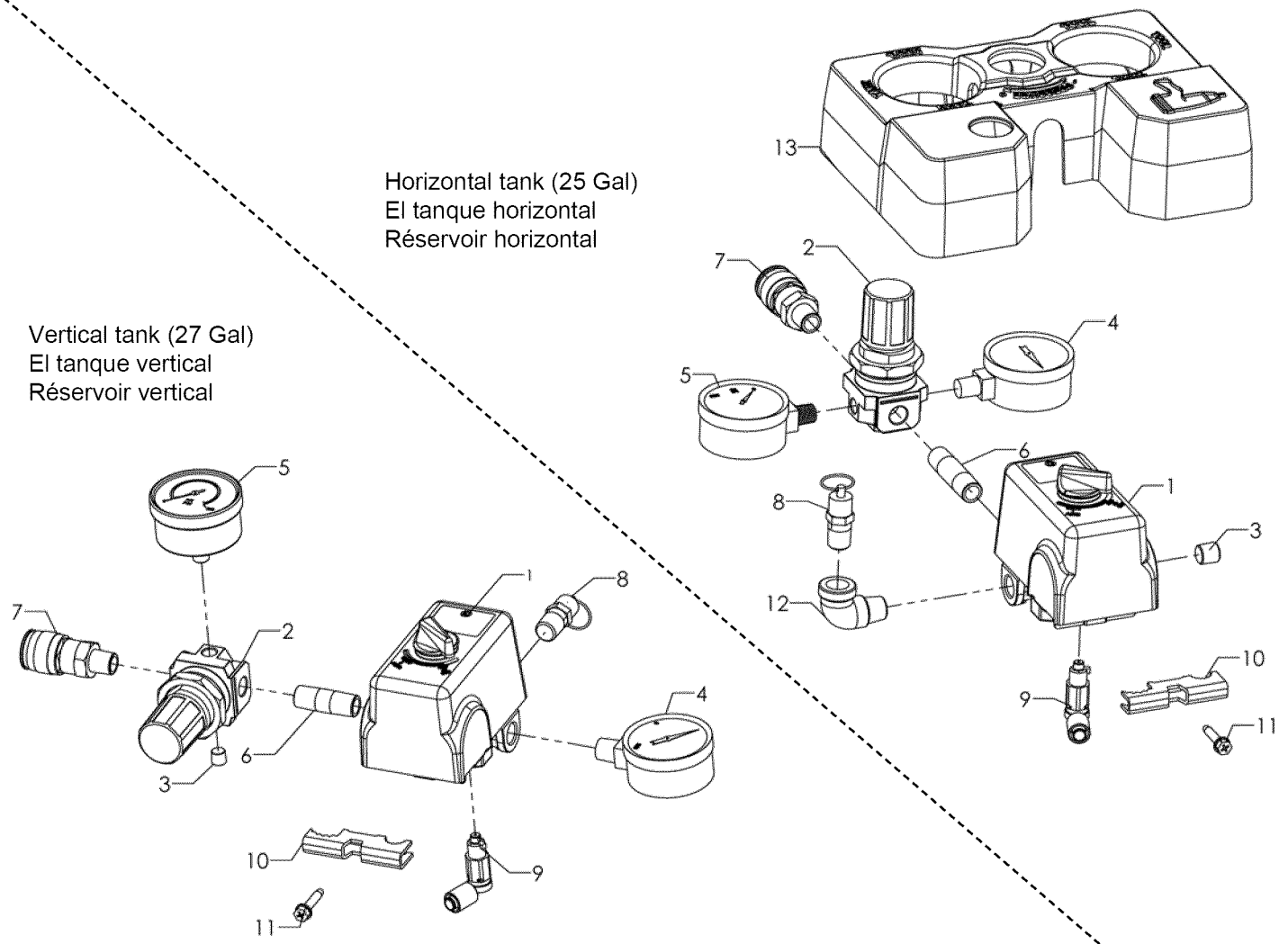
Perform the following maintenance at the intervals indicated below.	Daily or after each use	Every 100 operating hours
Inspect and clean air filter	●	
Check pump oil level	●	
Change pump oil ( <i>Use synthetic, non-detergent air compressor oil</i> )		●
Operate the pressure relief valves	●	
Check belt tension		●
Drain tank	●	
Check and tighten all bolts ( <i>do not over tighten</i> )		●

## TROUBLESHOOTING

**Note:** Troubleshooting problems may have similar causes and solutions.

PROBLEM	POSSIBLE CAUSE	SOLUTION
<b>Excessive current draw trips circuit breaker or motor reset switch</b>	Low voltage/motor overload	Check that power supply is adequate and that compressor is on a dedicated circuit. If using extension cord, try using without. If compressor is connected to a circuit protected by a fuse, use dual element time delay fuses (Buss Fusetron type "T" only).
	Drive belt too tight	Readjust belt tension.
	Restricted air passages	Inspect and replace transfer tubes or the check valve, (see "To replace or clean check valve" in the maintenance section).
<b>Compressor stalls</b>	Low voltage to motor	Furnish adequate power.
	Bad check valve	Replace the check valve (see "To replace or clean check valve" in the maintenance section).
	Seized pump	Contact a Sears or other qualified service center.
<b>Low discharge pressure</b>	Air leaks	Tighten or replace leaking fittings or connections. Do not overtighten.
	Leaking valves	Contact a Sears or other qualified service center.
	Restricted air intake	Clean or replace air filter element(s).
	Blown gaskets	Contact a Sears or other qualified service center.
	Worn piston rings or cylinder	Contact a Sears or other qualified service center.
<b>Compressor pump knocking</b>	Loose motor pulley or pump flywheel	Retighten pulley and flywheel. Check alignment.
	Low oil level in pump crankcase	Keep oil at proper level at all times.
	Excess carbon on valves or top of piston	Contact a Sears or other qualified service center.
<b>Oil in discharge air</b>	Worn piston rings or cylinder	Contact a Sears or other qualified service center.
	Restricted air intake	Clean or replace the air filter element(s).
	Oil level too high	Reduce to proper level.
<b>Overheating</b>	Poor ventilation	Relocate compressor to an area with cool, dry, well circulated air, at least 12 in. from nearest wall.
	Dirty cooling surfaces	Clean all cooling surfaces thoroughly.
	Restricted air passages	Inspect and replace transfer tubes or the check valve, (see "To replace or clean check valve" in the maintenance section).
<b>Excessive belt wear</b>	Pulley out of alignment	Realign pulley with compressor flywheel.
	Improper belt tension	Readjust.
	Pulley wobbles	Replace the pulley and check for a damaged crankshaft or flywheel.
<b>Compressor won't start in cold temperatures</b>	Too much back pressure in tank	Open petcock when starting motor.
	40W oil in crankcase	Use synthetic, non-detergent air compressor oil.
	Compressor too cold	Move compressor to a warmer location.
<b>Air leaking through bleeder valve after compressor shuts off</b>	Dirty or defective check valve.	Replace or clean the check valve (see "To replace or clean check valve" in the maintenance section).

## PARTS DRAWING



Horizontal tank (25 Gal)  
El tanque horizontal  
Réservoir horizontal

Vertical tank (27 Gal)  
El tanque vertical  
Réservoir vertical

## PARTS DRAWING

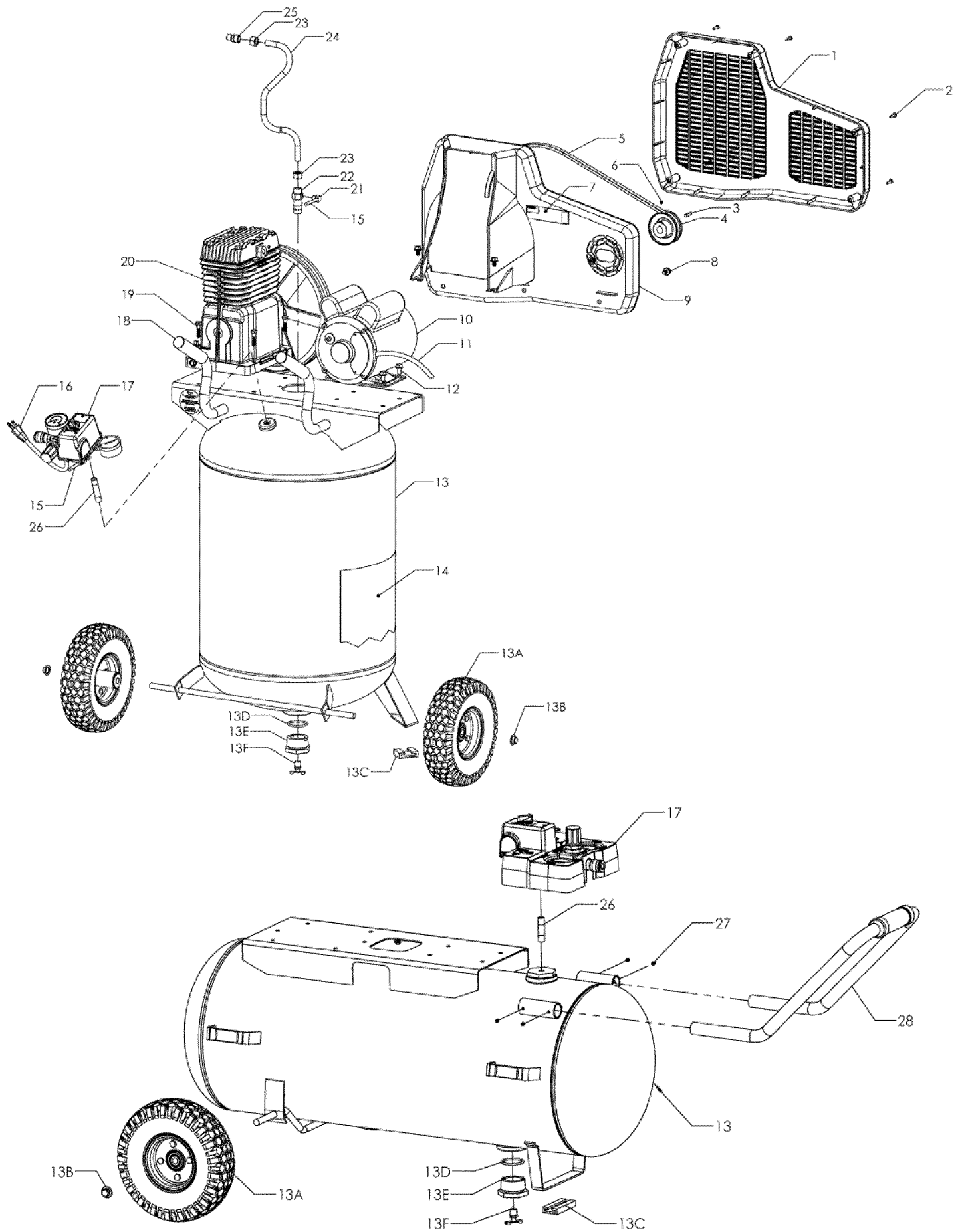
Item Artículo Article	Part No. Núm / P No / P	Qty Cant Qté	Description	Descripción	Description
1	034-0228	1	Switch, pressure (includes items 9-11)	Manómetro (incluye los artículos 9-11)	Interrupteur (inclut les éléments 9-11)
2	019-0270	1	Regulator	Regulador	Régulateur
3	N/A	1	Plug, 1/8" X 5/16" (27 gal vert)	Enchufe	Prise
or	N/A	1	Plug, 1/4" (25 gal horiz)	Enchufe	Prise
4	032-0025	1	Gauge, 300# 1/4" bottom connect (27 gal vert)	Manómetro	Manomètre
or	032-0118	1	Gauge, 300 PSI 1/8" RH connect (25 gal horiz)	Manómetro	Manomètre
5	032-0092	1	Gauge 300 PSI, 2" Dia Face (27 gal vert)	Manómetro	Manomètre
or	032-0119	1	Gauge, 300 PSI 1/8" LH Connect (25 gal horiz)	Manómetro	Manomètre
6	N/A	1	Nipple 1/4" X 1 1/2" (27 gal vert)	Niple	Manchon fileté
or	N/A	1	Nipple, 1/4" x 2" (25 gal horiz)	Niple	Manchon fileté
7	036-0031	1	Quick connect coupler	Acoplador especial	Raccord rapide
8	136-0104	1	Valve, ASME	Válvula	Soupape
9	136-0090	1	Valve, bleeder	Válvula	Soupape
10	071-0033	1	Strain relief	Aliviador de esfuerzo	Soulagement de traction
11	061-0216	1	Screw	Tornillo	Vis
12	N/A	1	Street Elbow, 1/4"-90° (25 gal horiz)	Te	Pièce en t
13	142-0235	1	Control panel cover (25 gal horiz)	Cubierta	Couverture

\*N/A - These are standard parts available at your local hardware store.

\*N/A - Estas son piezas estándares disponibles en su ferretería local.

\*N/A - Ces pièces sont des pièces standard disponibles en quincaillerie.

# PARTS DRAWING



## PARTS LIST

Item Artículo Article	Part No. Núm / P No / P	Qty Cant Qté	Description	Descripción	Description
1	125-0151	1	belt guard, outer	Protector	Garant
2	N/A	5	Screw, #10-14	Tornillo	Vis
3	146-0016	1	Key	Chaveta	Clé
4	006-0009	1	Pulley	Polea	Poulie
5	007-0013	1	V-Belt, 4L-510	Correa	Courroie
6	N/A	2	Setscrew, 5/16"-18	Tornillo fijador	Vis d'arrêt
7	098-2856	1	Label, warning	Amonestadora escritura de la etu	D'avertissement étiquette
8	N/A	5	Bolt, 5/16-18 x 1/2"	Perno	Boulon
9	125-0152	1	belt guard, inner	Protector	Garant
10	160-0264	1	Motor (see capacitor table below)	Motor	Moteur
11	026-0233	1	Cord, interconnect	Cordón	Câble
12	N/A	4	Bolt, 5/16 x 1/2"	Perno	Boulon
13	153-0173	1	Tank assembly (27 gallon vert)	Conjunto de tanque	Ensemble du réservoir
or	153-0172	1	Tank assembly (25 gallon horiz)	Conjunto de tanque	Ensemble du réservoir
13A	095-0038	2	Wheel	Rueda	Roue
13B	033-0001	2	Hubcap 1/2"	Tapacubo	Chapeau de moyeu
13C	094-0029	2	Pad (vert.)	Almohadilla	Tampon
or	094-0031	1	Pad (horiz.)	Almohadilla	Tampon
13D	513-0002	1	O-Ring 1-1/2	Anillo tórico	Joint torique
13E	512-0035	1	Bushing, 1-1/2 NPSM x 1/4 NPT	Buje	Bague
13F	072-0001	1	Petcock	Llave de desagüe	Robinet de purge
14	098-3870	1	Label, warning	Amonestadora escritura de la etu	D'avertissement étiquette
15	145-0394	1	Tube, bleeder 1/4" x 12.25"	Tubo	Tube
16	026-0030	1	Cord, power	Cordón	Câble
17	See page 13	1	Manifold assembly	Conjunto de múltiple	Ensemble du collecteur
18	093-0031	1	Handle grip (vert.)	Empuñadura	Poignée
19	N/A	4	Bolt, 5/16 x 1 1/4"	Perno	Boulon
20	See pages 16 & 17	1	Pump assembly	Conjunto de bomba	Ensemble du pompe
21	064-0056	1	Elbow, 90° brass	Codo	Coude
22	031-0060	1	Check Valve, 1/2" x 1/2" (horiz.)	Válvula	Soupape
or	031-0037	1	Check Valve, 1/2" x 3/8" (vert.)	Válvula	Soupape
23	058-0016	2	Nut, 1/2" O.D. tube (horiz.)	Tuerca	Écrou
or	058-0007	2	Nut, 3/8" O.D. tube (vert.)	Tuerca	Écrou
24	145-0623	1	Tube, transfer (horiz.)	Tubo	Tube
or	145-0636	1	Tube, transfer (vert.)	Tubo	Tube
25	068-0063	1	Connector, 1/4" X 1/2" (horiz.)	Conector	Connecteur
or	068-0092	1	Connector, 1/4" X 3/8" (vert.)	Conector	Connecteur
26	N/A	1	Nipple, 1/4" x 2-1/2" (vert.)	Niple	Manchon fileté
or	N/A	1	Nipple, 1/4" x 2" (horiz.)	Niple	Manchon fileté
27	N/A	4	Setscrew, M6 x 6mm (horiz.)	Tornillo fijador	Vis d'arrêt
28	112-0198	1	Handle assy (horiz-includes grip)	Empuñadura	Poignée

\*N/A - These are standard parts available at your local hardware store.

\*N/A - Estas son piezas estándares disponibles en su ferretería local.

\*N/A - Ces pièces sont des pièces standard disponibles en quincaillerie.

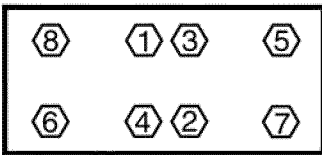
### CAPACITORS / CONDENSADORES / CONDENSATEURS

	Start capacitor La condensador de arranque Le condensateur de démarrage	Start capacitor cover La tapa de arranque la condensador Le couvercle de démarrage du condensador	Run capacitor La condensador de funcionar Le condensateur de marche	Run capacitor cover La tapa de funcionar la condensador Le couvercle de marche du condensateur
<b>A.O. Smith motor capacitors</b>	166-0143 A.O. Smith p/n - 16622936	166-0145 A.O. Smith p/n - 174588-004	166-0144 A.O. Smith p/n - 628318-313	166-0146 A.O. Smith p/n - 17821153
<b>GE motor capacitors</b>	166-0148 GE p/n - 52A103967P1	166-0150 GE p/n - 111B291AAP3	166-0149 GE p/n - 976B399ASP3	166-0151 GE p/n - 111B276ACP8
<b>Better motor capacitors</b>	166-0180 Better p/n - 0901080	166-0182 Better p/n - 0104045	166-0181 Better p/n - 0901040	166-0182 Better p/n - 0104045

# PARTS DRAWING

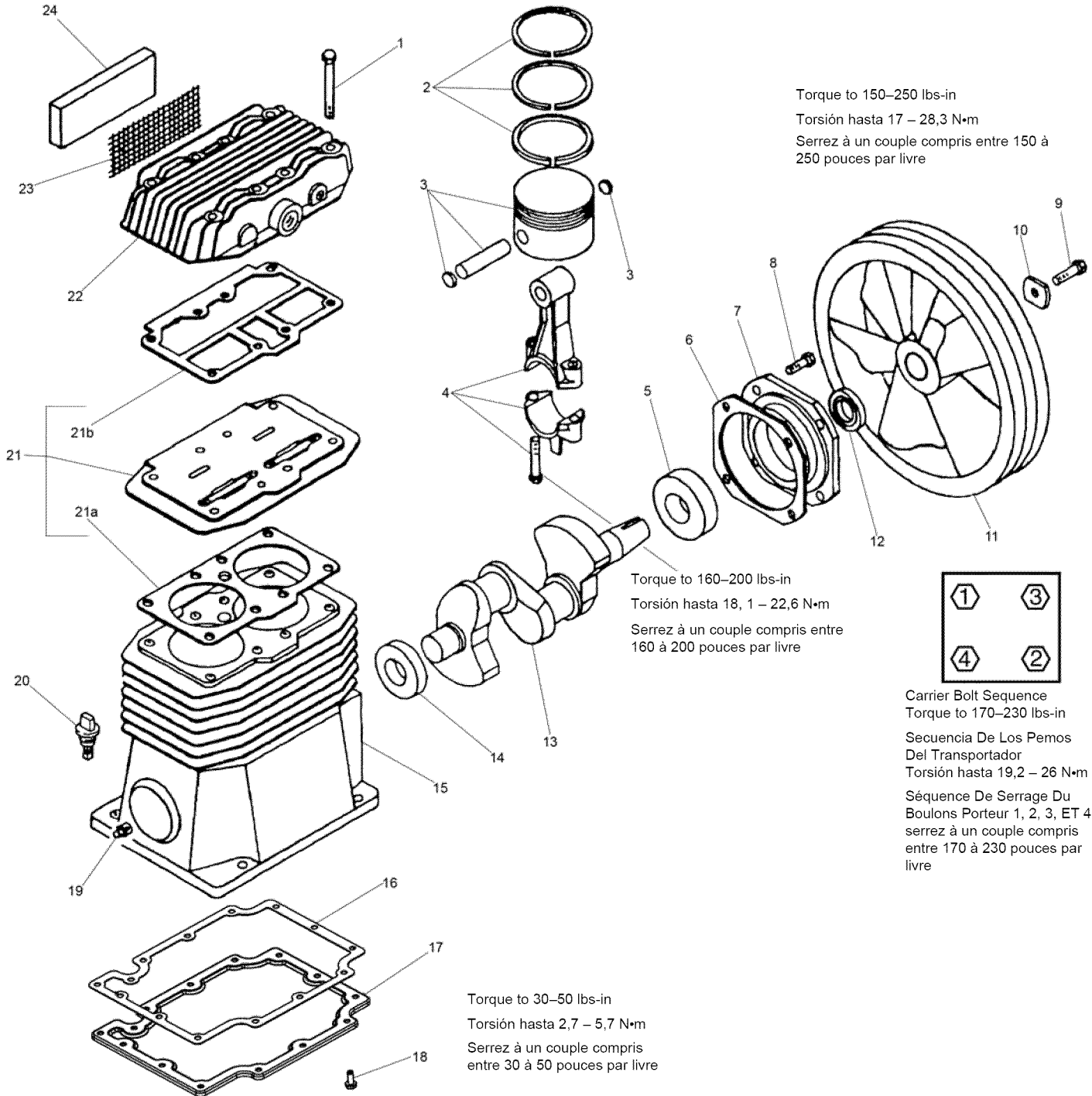
## 130 Pump Assy

Pump Specifications  
 Weight—39 lbs.  
 Oil Capacity (approx.)—18 oz.  
 Min. RPM—700  
 Max. RPM—1200  
 Max. Ambient Temp—104°F (40°C)



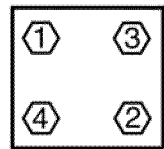
Head Bolt Torque Sequence  
 Secuencia De Los Pernos  
 Del Cabeza  
 Séquence De Serrage Des  
 Boulons À Tête

Sequence #'s 1, 2, 3, 4, 5, 6, 7  
 & 8  
 Torque to 220–300 lbs-in  
 # De Secuencia 1, 2, 3, 4, 5, 6,  
 7 y 8  
 Torsión hasta 24,6 – 33,9 N•m  
 Séquence De Serrage Des  
 Boulons 1, 2, 3, 4, 5, 6, 7 et 8  
 serrez à un couple compris entre  
 24,6 à 33,9 N•m



Torque to 150–250 lbs-in  
 Torsión hasta 17 – 28,3 N•m  
 Serrez à un couple compris entre 150 à  
 250 pouces par livre

Torque to 160–200 lbs-in  
 Torsión hasta 18, 1 – 22,6 N•m  
 Serrez à un couple compris entre  
 160 à 200 pouces par livre



Carrier Bolt Sequence  
 Torque to 170–230 lbs-in  
 Secuencia De Los Pernos  
 Del Transportador  
 Torsión hasta 19,2 – 26 N•m  
 Séquence De Serrage Du  
 Boulons Porteur 1, 2, 3, ET 4  
 serrez à un couple compris  
 entre 170 à 230 pouces par  
 livre

Torque to 30–50 lbs-in  
 Torsión hasta 2,7 – 5,7 N•m  
 Serrez à un couple compris  
 entre 30 à 50 pouces par livre



## PARTS LIST

### 130 Pump Assy

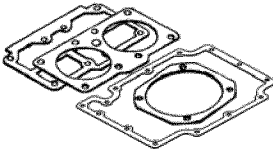
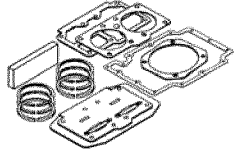
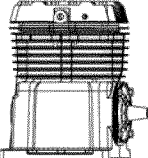
Item Artículo Article	Part No. Núm / P No / P	Qty Cant Qté	Description	Descripción	Description
1	059-0144	8	Screw, 5/16-18 x 2.50" lg	Tornillo	Vis
2	054-0112	1	Ring set	Juego de anillos	Jeu d'anneaux
3	048-0065	2	Piston assembly	Conjunto de pistón	Ensemble du piston
4	047-0091	2	Rod, 130 pump	Varilla	Tige
5	051-0043	1	Bearing	Cojinete	Roulement
6	046-0149	1	Gasket	Empaquetadura	Joint
7	045-0053	1	Carrier, <i>includes items 5 &amp; 12</i>	Portador, <i>incluye los artículos 5 y 12</i>	Support, <i>inclut les éléments 5 et 12</i>
8	N/A	4	Screw, 5/16-18 x 1" lg	Tornillo	Vis
9	N/A	1	Screw, 5/16-18 x 1.0" lg	Tornillo	Vis
10	060-0053	1	Washer	Arandela	Rondelle
11	044-0064	1	Flywheel, 12" A width	Volante, A	Volant-moteur, A
12	046-0161	1	Seal	Sello	Joint
13	053-0041	1	Crankshaft, 130 pump	Cigüeñal	Vilebrequin
14	051-0013	1	Bearing	Cojinete	Roulement
15	049-0050	1	Crankcase, <i>includes item 14</i>	Cárter, <i>incluye los artículos 14</i>	Carter, <i>inclut les éléments 14</i>
16	046-0263	1	Gasket	Empaquetadura	Joint
17	077-0148	1	Base	Base	Base
18	061-0113	14	Screw, #10-24 x 1/2	Tornillo	Vis
19	061-0112	1	Plug, 5/16-18	Tapón	Bouchon
20	056-0019	1	Dipstick	Varilla de aceite	Jauge de niveau
21	043-0142	1	Plate, assy, <i>includes 21a-21b</i>	Conjunto de placa, <i>incluye los artículos 21a-21b</i>	Ensemble du plaque, <i>inclut les éléments 21a-21b</i>
21a	046-0152	1	Gasket	Empaquetadura	Joint
21b	046-0151	1	Gasket	Empaquetadura	Joint
22	042-0103	1	Head	Cabezal	Tête
23	118-0023	1	Screen	Malla	Crépine
24	019-0052	1	Filter, felt	Filtro	Filtre

\*N/A - These are standard parts available at your local hardware store.

\*N/A - Estas son piezas estándares disponibles en su ferretería local.

\*N/A - Ces pièces sont des pièces standard disponibles en quincaillerie.

#### Available Service Kits

	046-0159	1	Gaskets, complete set ( <i>includes items 6, 16, 21a and 21b</i> )	Juntas, conjunto completo ( <i>incluye los artículos 6, 16, 21a y 21b</i> )	Joints, jeu complet ( <i>inclut les éléments 6, 16, 21a et 21b</i> )
	165-0083	1	Overhaul kit, <i>includes ring and gasket sets, valve plate assembly and filter element</i>	Juego de acondicionamiento, <i>incluye conjuntos de anillo y junta, conjunto de la placa de la válvula y elemento del filtro</i>	Jeu de pièces de réparation, <i>comprend des jeux de bagues et de joints, l'assemblage de la plaque et de joints, l'assemblage de la plaque de la soupape et l'élément du filtre</i>
	040-0429	1	Pump assembly <i>includes items 1-24 excluding 9-10 and 11</i>	Ensamblaje de la bomba ( <i>incluye los artículos 1-24 excepto 9-10 y 11</i> )	Pompe ( <i>inclut les éléments 1-24 à l'exclusion de 9-10 et 11</i> )

## INDICE

GARANTÍA .....	18	Verificación del nivel de aceite .....	25
CUADRO DE ESPECIFICACIONES .....	18	Cambio de aceite .....	25
PAUTAS DE SEGURIDAD .....	19-20	Tensión de la correa y alineación de la polea .....	25-26
GLOSARIO DE TERMINOS .....	20	Substituyendo o limpiando la válvula de cheque .....	26
RESUMEN GENERAL .....	21	Limpieza del filtro de aire .....	27
Componentes básicos del compresor de aire .....	21	Revisión de la válvula de alivio .....	27
MONTAJE .....	21	Detección de fugas .....	27
CONTROLES DEL COMPRESOR .....	22	Almacenamiento .....	27
RESTABLECIMIENTO Y CABLEADO DEL MOTOR .....	22	INTERVALOS DE SERVICIO .....	27
REQUERIMIENTOS DE ALIMENTACIÓN ELÉCTRICA .....	23	CUADRO DE DETECCIÓN DE FALLOS .....	28
Cableado eléctrico .....	23	ESQUEMA DE LA PIEZAS Y LISTA DE LAS PIEZAS .....	13-17
Cordones prolongadores .....	23		
Instrucciones de conexión a tierra .....	23		
INSTRUCCIONES OPERATIVAS .....	24		
Marcha inicial del bomba .....	24		
Arranque diario .....	24		
Parada .....	24		
MANTENIMIENTO .....	25		
Desagüe del tanque .....	25		

## GARANTÍA

### CRAFTSMAN ONE YEAR FULL WARRANTY

FOR ONE YEAR from the date of purchase, this product is warranted against any defects in material or workmanship. Defective product will receive free repair or free replacement if repair is unavailable.

For warranty coverage details to obtain repair or replacement, visit the web site: [www.craftsman.com](http://www.craftsman.com)

This warranty does not cover the air filter or drive belt, which are expendable parts that can wear out from normal use within the warranty period.

This warranty is void if this product is ever used while providing commercial services or if rented to another person.

This warranty gives you specific legal rights, and you may also have other rights which vary from state to state.

Sears Brands Management Corporation, Hoffman Estates, IL 60179 U.S.A.

## CUADRO DE ESPECIFICACIONES

MODELO	RUNNING H.P. (CV)	CAPACIDAD DEL TANQUE - LITROS	VOLTAJE AMP/FASE	PRESION DE CONEXION	PRESION DE DESCONEXION
921.16474 (WLB1982713)	1.9	Vert. 27 (102)	115/15/1	120 (8,27 bar)	150 (10,34 bar)
921.16475 (WPB1982513)	1.9	Horiz. 25 (94,6)	115/15/1	120 (8,27 bar)	150 (10,34bar)










## PAUTAS DE SEGURIDAD

La información que sigue se refiere a la protección de SU SEGURIDAD y la PREVENCIÓN DE PROBLEMAS DEL EQUIPO. Como ayuda para reconocer esta información, usamos los siguientes símbolos. Lea por favor el manual y preste atención a estas secciones.

- ⚠ PELIGRO:** - UN POSIBLE RIESGO QUE CAUSARÁ LESIONES GRAVES O LA PÉRDIDA DE LA VIDA.
- ⚠ ADVERTENCIA:** - UN RIESGO POTENCIAL QUE PODRÍA PROVOCAR GRAVES LESIONES O MUERTE.
- ⚠ PRECAUCIÓN:** - UN RIESGO POTENCIAL QUE PODRÍA PROVOCAR LESIONES LEVES O DAÑAR EL EQUIPO.



## IMPORTANT SAFETY INSTRUCTIONS

### ⚠ ADVERTENCIA:

<b>RIESGO DE INCENDIO O EXPLOSIÓN.</b> 	Nunca rocíe líquidos inflamables en un área confinada. Es normal que el motor y el interruptor de presión produzcan chispas al estar en funcionamiento. Si las chispas entran en contacto con los vapores de la gasolina o con otros disolventes, éstos podrían encenderse, causando un incendio o una explosión. Siempre opere el compresor en un lugar bien ventilado. No fume al rociar. No rocíe donde existan chispas o llama. Mantenga el compresor tan lejos del lugar de rociado como sea posible.
<b>RIESGO DE EXPLOSIÓN.</b> 	No suelde, no perfore ni modifique el tanque del aire de este compresor. La soldadura o las modificaciones en el tanque del compresor de aire podrían deteriorar gravemente la resistencia del tanque y causar una condición extremadamente peligrosa. Soldar o modificar el tanque de cualquier manera anulará la garantía.
<b>RIESGO DE DESCARGA ELÉCTRICA.</b> 	Nunca utilice un compresor eléctrico de aire en el exterior cuando esté lloviendo ni lo coloque sobre una superficie mojada, ya que esto podría causar descargas eléctricas.
<b>RIESGO DE LESIONES.</b> 	Esta unidad arranca automáticamente. SIEMPRE apague el compresor, quite el enchufe del tomacorrientes, y purgue toda la presión del sistema antes de realizar el servicio al compresor y cuando el compresor no esté en uso. No utilice la unidad sin las cubiertas o sin el protector de la correa ya que podría sufrir lesiones por el contacto con las piezas móviles.
<b>RIESGO DE EXPLOSIÓN.</b> 	Verifique la presión nominal máxima sugerida por el fabricante para las herramientas y los accesorios neumáticos. La presión de salida del compresor se debe regular de tal manera que nunca se exceda la presión nominal máxima de la herramienta. Antes de conectar o retirar accesorios, alivie toda presión del tubo.
<b>RIESGO DE QUEMADURAS.</b> 	La bomba y el múltiple producen altas temperaturas. Para prevenir quemaduras u otro tipo de heridas, NO TOQUE la bomba, el múltiple ni el tubo de transferencia mientras la bomba se está funcionando. Permita que se enfríe antes de manipularlos o realizar el servicio necesario. Mantenga a los niños alejados del compresor en todo momento.
<b>RIESGO PARA LA RESPIRACIÓN.</b> 	Asegúrese de leer todas las etiquetas cuando esté rociando pinturas o materiales tóxicos, y siga las instrucciones de seguridad. Use una careta respiratoria si existe la posibilidad de inhalar algún producto al rociar. Lea todas las instrucciones y asegúrese de que su careta respiratoria le proteja. Nunca inhale directamente el aire comprimido producido por un compresor. No es adecuado para respirarlo.
<b>RIESGO DE LESIONES OCULARES.</b> 	Cuando utilice un compresor de aire siempre use gafas de seguridad aprobadas según ANSI Z87.1. Nunca dirija la boquilla ni el rociador hacia una persona ni hacia alguna parte del cuerpo. El equipo puede causar una lesión grave si el rocío penetra en la piel.
<b>RIESGO DE EXPLOSIÓN.</b> 	No ajuste la válvula de alivio. En caso contrario, se anularán todas las garantías. La válvula de alivio fue ajustada de fábrica para que la unidad funcione a su presión máxima. Si se altera la válvula podría ocurrir un accidente con lesiones a personas o daños a la propiedad.
<b>RIESGO DE EXPLOSIÓN.</b> 	No use tubería de plástico ni de PVC para el sistema de aire comprimido. Use sólo tubería y conectores de acero galvanizado para las líneas de distribución de aire comprimido.

## IMPORTANT SAFETY INSTRUCTIONS

### ⚠ ADVERTENCIA:

 <b>RIESGO AL SENTIDO DEL OIDO.</b>	Siempre use protectores auditivos cuando use un compresor de aire. Si no lo hace podría sufrir pérdida de la audición.
 <b>RIESGO DE CONTAMINACIÓN.</b>	El cable de energía de este producto contiene plomo, un elemento químico que según el Estado de California puede producir cáncer y malformaciones de nacimiento u otros problemas de reproducción. <b>Lávese las manos después de utilizarlo.</b>
<b>NOTA: CABLEADO ELECTRICICO.</b>	Refiérase al rótulo del número de serie del compresor de aire para conocer los requerimientos de voltaje y amperaje de la unidad. Cerciórese de que todo el cableado lo instala un electricista capacitado, de conformidad con el Código Eléctrico Nacional.

### ⚠ PRECAUCIÓN:

Elimine la humedad del tanque todos los días. Un tanque limpio y seco ayudará a evitar la corrosión.
Tire del anillo de la válvula de alivio de la presión todos los días para asegurarse de que la válvula esté funcionando adecuadamente y para eliminar cualquier obstrucción en la válvula.
A fin de lograr una ventilación adecuada para el enfriamiento, el compresor debe mantenerse a un mínimo de 31 cm (12 pulgadas) de la pared más cercana, en una zona bien ventilada.
Sujete el compresor muy bien si es necesario su transporte. Debe liberarse la presión del tanque antes de su transporte.
Proteja la manguera de aire y el conducto eléctrico contra daños y pinchaduras. Inspecciónelos todas las semanas para comprobar que no existen zonas débiles o desgastadas, y reemplácelos si fuera necesario.
Para reducir el riesgo de choque eléctrico, proteja la unidad de la lluvia. Almacene en el interior.
Nunca funcione el compresor si se daña el cable eléctrico o el enchufe. Tenga la unidad mantenida en el Sears o el otro centro de servicio calificado.

## GLOSARIO DE TERMINOS

### **l/min**

Litros por minuto; una unidad de la medida de flujo de aire.

### **Bar**

Es una unidad de medida de la presión del aire.

### **Presión de conexión**

Punto de presión baja fijado en fábrica que arranca el motor de la bomba para volver a presurizar el tanque de aire a una presión más elevada.

### **Presión de desconexión**

Punto de presión alta fijado en fábrica que impide que el motor de la bomba aumente la presión en el tanque por encima de un cierto nivel.

### **Bien ventilado**

Un medio de proveer aire fresco para contrarrestar el escape de gases o los vapores peligrosos.

### **Circuito dedicado**

Un circuito eléctrico reservado para uso exclusivo del compresor de aire.

## RESUMEN GENERAL

### COMPONENTES BÁSICOS DEL COMPRESOR DE AIRE

Los componentes básicos del compresor de aire son el motor eléctrico, la bomba, el interruptor de presión y el tanque (Fig. 1).

El **motor eléctrico** (vea **A**) acciona la bomba. El motor eléctrico está equipado con un **protector contra sobrecarga** para ayudar a evitar el quemado posible del motor. Si el motor llegará a sobrecalentarse, el protector contra sobrecarga lo apagará. En caso de ocurrir esto, permita que el motor se enfríe durante 10 a 15 minutos y luego presione (nunca fuerce) el interruptor de restablecimiento del motor para volver a arrancar el motor.

La bomba (vea **B**) comprime el aire y lo descarga hacia el tanque.

El tanque (vea **C**) almacena el aire comprimido.

El interruptor de presión (vea **D**) apaga el motor y alivia la presión del aire en la bomba y el tubo de transferencia cuando la presión del aire en el tanque alcanza el límite establecido en fábrica. Al ir usándose el aire comprimido y bajar el nivel de presión en el tanque hasta llegar al nivel preestablecido, el interruptor de presión vuelve a arrancar el motor y la bomba continúa comprimiendo el aire.

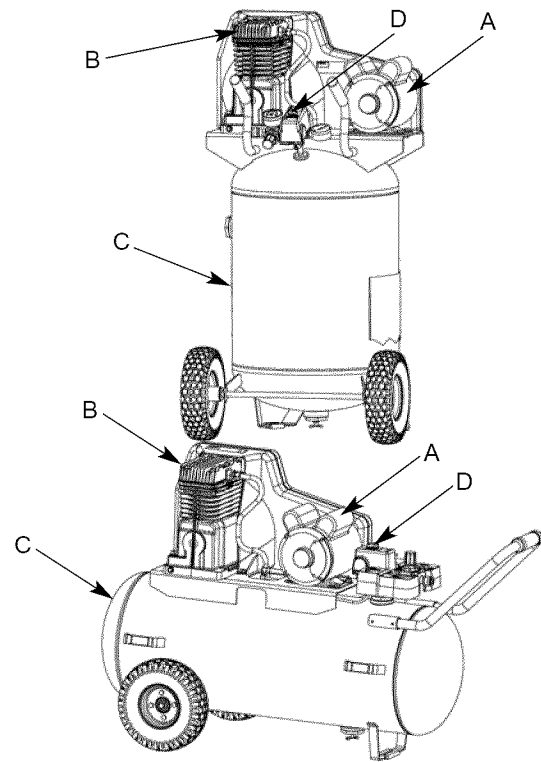


Fig. 1

## MONTAJE

### MONTAJE DEL COMPRESOR



**Este compresor fue enviado con aceite en el cárter del motor de la bomba. Compruebe el aceite antes de funcionar el compresor de aire, vea el aceite del cheque bajo mantenimiento.**

1. Desembale el compresor de aire. Inspeccione la unidad para verificar que no sufrió daños. Si la unidad ha sido dañada durante el transporte, comuníquese con la empresa transportadora y complete una reclamación por daños. Haga esto de inmediato porque existen limitaciones de tiempo respecto a las reclamaciones por daños.

La caja debe contener los elementos siguientes:

- compresor de aire
- operador/piezas manuales
- manija (el tanque horizontal)

2. Verifique el rótulo del número de serie del compresor para asegurarse de que haya recibido el modelo que pidió y que el mismo tenga la presión nominal requerida para el uso deseado.
3. Instale la manija aflojando los tornillos de presión (f) y entonces la colocación de la manija termina (e) en el (G) de los soportes de la manija y asegure con los tornillos de presión (f) (véase fig. 2). Apriete los tornillos usando una llave de maleficio del tamaño 3mm (no incluida).
4. Ubique el compresor de acuerdo con las pautas siguientes:
  - a. Ubique el compresor cerca de un tomacorriente

eléctrico conectado a tierra (consulte INSTRUCCIONES DE PUESTA A TIERRA).

**Evite el uso de una cuerda de extensión;** es preferible usar una manguera de aire más larga.

- b. El lado del volante del compresor se debe encontrar cuando menos a 31 cm (12 pulgadas) de cualquier pared u obstáculo, en un área limpia y bien ventilada, a fin de asegurar el flujo del aire y el enfriamiento adecuados.
  - c. En climas fríos, almacene el compresor portátil en un edificio con calefacción. Esto reducirá problemas de lubricación, arranque del motor y congelamiento del agua de condensación.
  - d. El compresor debe estar nivelado para asegurar una buena lubricación de la bomba y un buen drenaje del agua condensada en el tanque receptor.
5. Conecte una manguera de aire (no incluida) con el enchufe múltiple.

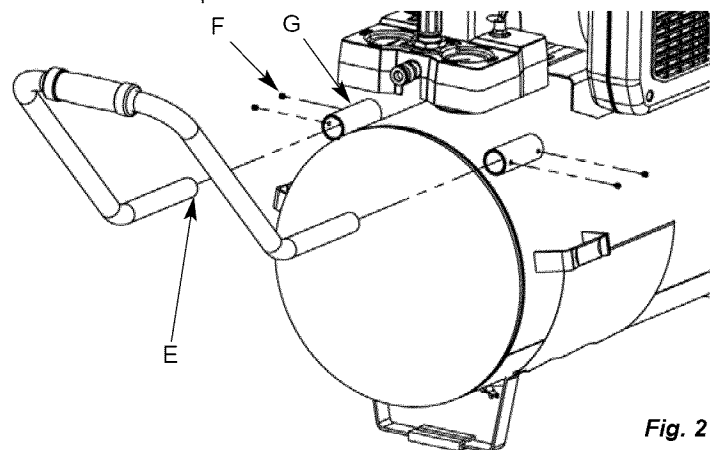


Fig. 2

## CONTROLES DEL COMPRESOR

### Interruptor de presión (vea A)

Este interruptor enciende el compresor. Se opera manualmente, pero cuando está en la posición ON, permite que el compresor arranque o se pare automáticamente, sin aviso, según la demanda de aire. SIEMPRE coloque este interruptor en la posición OFF cuando el compresor no esté en uso y antes de desconectarlo.

### Válvula de alivio de presión (vea B)

Si el interruptor de presión no apaga el motor cuando la presión alcanza el nivel de desconexión, esta válvula se abrirá automáticamente para evitar una sobrepresión. Para accionarla manualmente, tire del anillo en la válvula de alivio de la presión del aire en el tanque.

### Manómetro del tanque (vea C)

Este manómetro mide la presión del aire almacenado en el tanque. No es ajustable por el operador y no indica la presión de la línea.

### Regulador de presión de aire (vea D)

El regulador de presión de aire permite ajustar la presión en la línea que conecta la herramienta que se está usando.

**⚠ ADVERTENCIA:** Nunca sobrepase el índice máximo de presión de la herramienta.

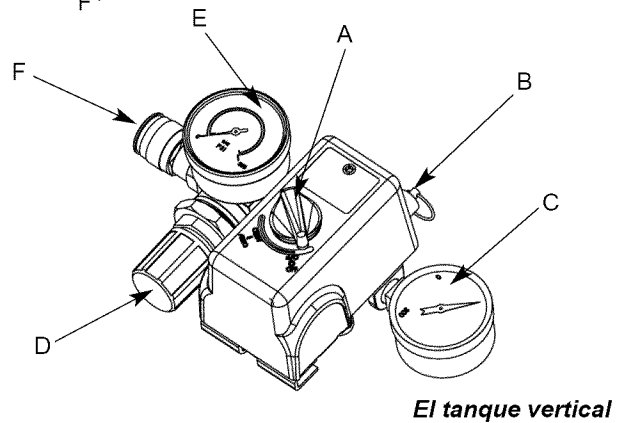
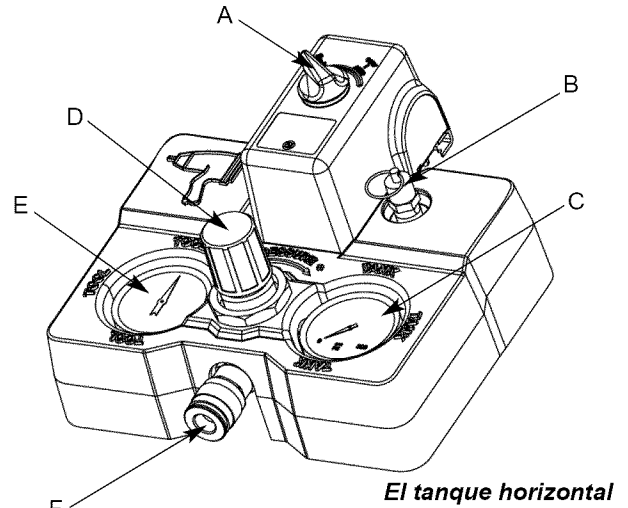
Gire la perilla a la derecha para aumentar la presión, y a la izquierda para disminuirla.

### Manómetro regulado (vea E)

Este manómetro mide la línea presión regulada de salida.

### Conector de acoplamiento rápido (vea F)

Permite conectar y desconectar rápidamente la manguera de aire.



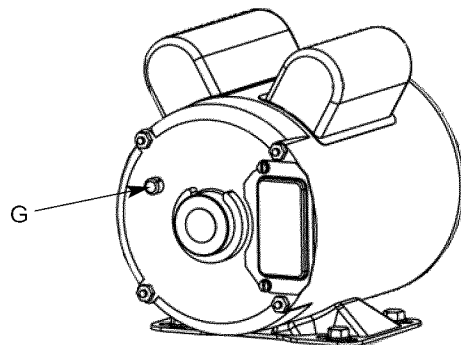
## RESTABLECIMIENTO Y CABLEADO DEL MOTOR

### INTERRUPTOR DE RESTABLECIMIENTO DEL MOTOR

**⚠ ADVERTENCIA:** Asegúrese de que todos los protectores y cubiertas estén colocados en su lugar antes de presionar el interruptor de restablecimiento para volver a arrancar el motor.

Si el motor se apaga debido a una sobrecarga, espere entre 10 y 15 minutos para que el motor pueda enfriarse y luego presione (NUNCA fuerce) el interruptor de restablecimiento (vea G) para volver a arrancar el motor (Fig. 4).

**NOTA:** Algunos modelos están equipados con un motor de voltaje doble de 115/230 voltios. La mayoría de los motores se conectan en la fábrica para que funcionen a 115 voltios. Si la conversión a partir de 115 voltios a 230 voltios se requiere, refiera a la placa de identificación del motor y haga que la conversión sea terminada por un electricista licenciado.



## REQUERIMIENTOS DE ALIMENTACION ELECTRICA

### CABLEADO ELÉCTRICO

Consulte el rótulo del número de serie del compresor de aire para ver los requerimientos de voltaje y amperaje de la unidad.

#### Use un circuito exclusivo

**Para el mejor rendimiento y un arranque confiable, el compresor de aire debe conectarse en un circuito exclusivo, tan cerca como sea posible de la caja de fusibles o del cortacircuito.** El compresor utilizará la capacidad máxima de un circuito de 15 amperios de una casa normal. Si hay otros equipos eléctricos que estén consumiendo energía del circuito al cual está conectado el compresor, es posible que éste no arranque. Un voltaje bajo o un circuito sobrecargado puede causar un arranque lento que causará que salte el interruptor de reposicionamiento del motor o el cortacircuito, especialmente en condiciones de baja temperatura.

**NOTA: Para manejar la carga eléctrica inicial de encender el compresor de aire, un disyuntor se recomienda. Si el compresor de aire está conectado con un circuito protegido por un fusible, utilice los fusibles de retraso de tiempo del elemento dual (tipo "T" de Buss Fusetron solamente).**

### CORDONES PROLONGADORES

**NOTA:** Evite el uso de cordones prolongadores.

Para obtener un rendimiento óptimo, enchufe el cordón eléctrico del compresor directamente en un tomacorriente de pared conectado a tierra. No use un cordón prolongador a menos que sea absolutamente necesario.

Como alternativa, intente utilizar una manguera de aire más larga para llegar a la zona donde se requiere aire, el cable no debe tener una longitud mayor que 9.1 m (50 pies) y un alambre con calibre mínimo de 12 (AWG). No use cables de extensión de calibre 14 ni 16.

Use solamente un cordón de 3 alambres que tenga un enchufe de 3 patas y un receptáculo de 3 ranuras que permita el enchufe del producto. Asegúrese de que su cordón prolongador esté en buenas condiciones. Un cordón demasiado pequeño causará una caída en el voltaje de la línea, causando una pérdida en la energía y un sobrecalentamiento. Cuanto más pequeño sea el número de calibre, tanto más pesado será el cordón.

### INSTRUCCIONES DE CONEXIÓN A TIERRA

#### PARA MODELOS CONECTADOS CON CORDÓN:

Este producto debe conectarse a tierra. En el caso de un cortocircuito eléctrico, la conexión a tierra reduce el riesgo de choque eléctrico pues ofrece un escape para la corriente eléctrica.

Este producto está equipado con un cordón que tiene un alambre de conexión a tierra con su enchufe correspondiente. El enchufe debe conectarse en un tomacorriente que esté bien instalado y conectado a tierra de acuerdo con todos los códigos y ordenanzas locales.

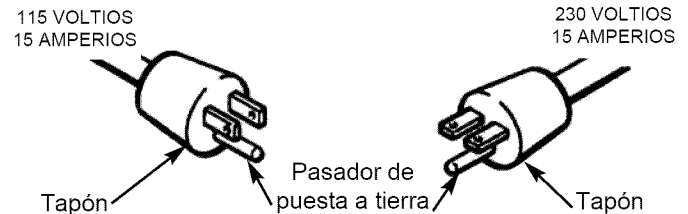
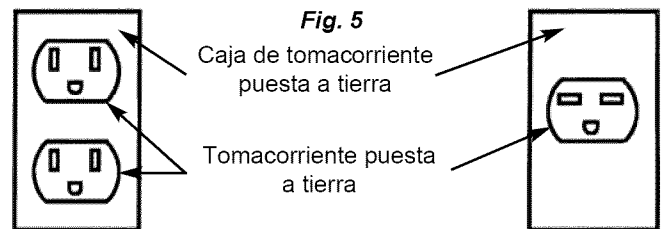


**PELIGRO:** La instalación incorrecta del enchufe de conexión a tierra puede causar un riesgo de descarga eléctrica. Si es la reparación o el reemplazo de la cuerda o del enchufe necesario, no conecte el alambre que pone a tierra con cualquier terminal plano de la lámina del enchufe. El alambre de conexión a tierra tiene aislamiento de color verde con rayas amarillas o sin ellas.

Este producto se debe usar en un circuito de 115 ó 230 voltios. Se deberá usar un enchufe con un terminal conectado a tierra, tal como el mostrado aquí.

Asegúrese de que el producto esté conectado a un tomacorriente que tenga la misma configuración que el enchufe ( Fig. 5). No debe usarse ningún adaptador con este producto.


Consulte con un electricista capacitado si no comprende completamente las instrucciones de conexión a tierra, o si tiene dudas con respecto a si el producto está correctamente conectado a tierra. No modifique el enchufe provisto; si no encaja en el tomacorriente, haga que un electricista capacitado instale un tomacorriente adecuado.



# INSTRUCCIONES OPERATIVAS

## MARCHA INICIAL DE LA BOMBA

1. Compruebe el nivel de aceite en la bomba (véase la "comprobación del aceite" en sección del mantenimiento).
2. Coloque el conmutador activado por presión en la posición APAGADO. (vea **C**).
3. Abra la llave de descompresión (vea **F**). Hágalo girar hacia la izquierda.

 **PRECAUCIÓN:** El aire y la humedad que escapan del tanque pueden arrojar desechos que podrían causarle daño en los ojos. Al abrir la llave de descompresión use gafas de seguridad.

4. Enchufe el cordón eléctrico.
5. Coloque el conmutador activado por presión en la posición ENCENDIDO (vea **D**). El compresor arrancará. Permita el funcionamiento del compresor durante 30 minutos, a fin de suavizar los componentes internos.


**NOTA:** Después de cerca de 30 minutos, si la unidad no funciona correctamente, CIERRE INMEDIATAMENTE, y entre en contacto con a Sears u otro calificó el centro de servicio.

6. Después de aproximadamente 30 minutos, coloque el conmutador activado por presión en la posición APAGADO.
7. Cierre la llave de descompresión. (vea **E**).
8. Coloque el conmutador activado por presión en la posición (ENCENDIDO). Hágalo girar hacia la derecha. El compresor comenzará a funcionar, llenará el tanque hasta la presión de desconexión y dejará de funcionar.


**NOTA:** Mientras que se utiliza el aire comprimido, el interruptor de presión recomience el motor automáticamente para suministrar más aire comprimido al tanque.

## ARRANQUE DIARIO

1. Compruebe el nivel de aceite en la bomba (véase la "comprobación del aceite" en sección del mantenimiento).
2. Coloque el conmutador activado por presión en la posición APAGADO (vea **C**).
3. Cierre la llave de descompresión del tanque (vea **E**). Hágalo girar hacia la derecha.
4. Enchufe el cordón eléctrico.

 **ADVERTENCIA:** El motor eléctrico y la bomba producen altas temperaturas. Para evitar quemaduras y otras lesiones, NO toque el compresor durante su funcionamiento. Permita que se enfríe antes de manipular o realizar el servicio. Mantenga a los niños alejados del compresor en todo momento.


5. Coloque el conmutador activado por presión en la posición ENCENDIDO (vea **D**).
6. Ajuste el regulador a la presión de funcionamiento de la herramienta.

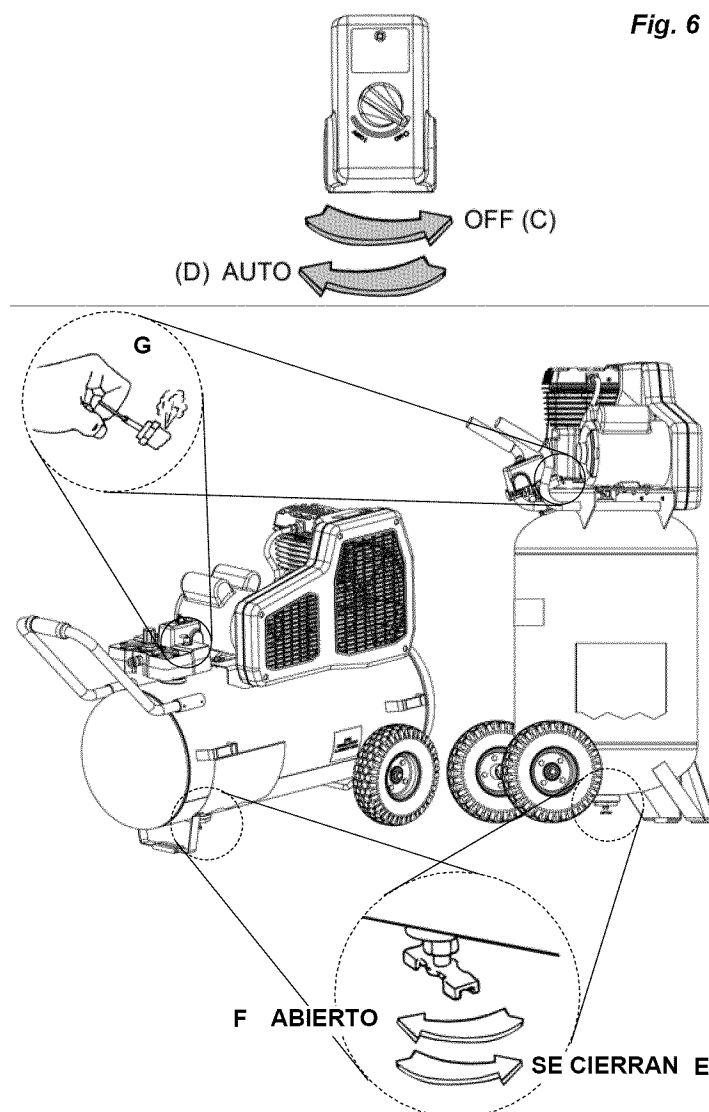
 **ADVERTENCIA:** Al efectuar un ajuste desde una presión más alta a una más baja, gire la perilla a la izquierda hasta que sobrepase el ajuste deseado, después gire a la derecha hasta alcanzar la presión deseada. No exceda la presión de operación de la

herramienta o del accesorio que esté usando.

## PARADA

1. Coloque el conmutador activado por presión en la posición APAGADO (vea **C**).
2. Desenchufe el cordón eléctrico.
3. Reduzca la presión en el tanque a través de la manguera de salida. También puede tirar del anillo de la válvula de alivio (vea **G**) y mantenerla abierta para aliviar la presión en el tanque
4. Abra la llave de descompresión (vea **F**) para permitir que la humedad salga del tanque.

 **PRECAUCIÓN:** El aire y la humedad que escapan del tanque pueden arrojar desechos que podrían causarle daño en los ojos. Al abrir la llave de descompresión use gafas de seguridad.





# MANTENIMIENTO

## MANTENIMIENTO

**⚠ ADVERTENCIA:** Para evitar lesiones personales, siempre apague y desenchufe el compresor y alivie toda la presión de aire del sistema antes de realizar algún tipo de servicio en el compresor de aire.

El mantenimiento regular asegurará una operación sin problemas. Su compresor de aire con alimentación eléctrica representa lo mejor en ingeniería y construcción; sin embargo, aún la maquinaria de mejor calidad requiere un mantenimiento periódico. Los elementos enumerados a continuación deben inspeccionarse de manera regular.

## DESAGÜE DEL TANQUE

**⚠ ADVERTENCIA:** La condensación se acumulará en el tanque. Para evitar la corrosión del tanque desde el interior, esta humedad debe ser drenada al final de cada día de trabajo. Asegúrese de utilizar protección ocular. Alivie la presión de aire en el sistema y abra la llave de descompresión que se encuentra en el fondo del tanque para drenar.

## VERIFICACIÓN DEL NIVEL DE ACEITE

Para revisar el nivel de aceite en la bomba, destornille la varilla de medición de aceite y limpie la varilla. Atornille completamente la varilla de medición y después destornillela. El nivel de aceite de la bomba debe estar entre las marcas llenas superior e inferior (vea **B** y **C**).

**NOTA:** Use aceite sintético no-detergente para el compresor de aire.

## CAMBIO DE ACEITE

Quite el tapón de aceite (vea **A**) y deje salir el aceite hasta que empiece a gotear, luego vuelva a poner el tapón. Añada aceite para compresor (532 ml) hasta que se encuentre entre las marcas Lleno (vea **B**) y Agregar (vea **C**) cuando la varilla de aceite (vea **D**) se haya introducido completamente en el orificio. Nunca se debe poner demasiado ni muy poco aceite en la bomba.

**NOTA:** El compresor se rellena con aceite sintético. Utilice el aceite sintético, no detergente del compresor de aire.

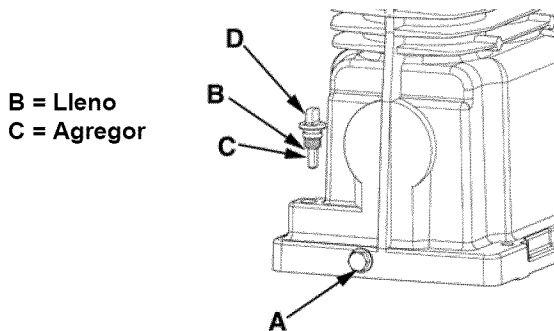


Fig. 7

## TENSIÓN DE LA CORREA Y ALINEACIÓN DE LA POLEA

**⚠ ADVERTENCIA:** Para evitar lesiones personales, siempre apague y desenchufe el compresor y alivie toda la presión de aire del sistema antes de realizar algún tipo

de servicio en el compresor de aire.

**NOTA:** El ajuste de la tensión de la correa de transmisión y la alineación de la polea se realizan al mismo tiempo. Se explican por separado para mayor claridad.

## AJUSTE DE LA TENSIÓN DE LA CORREA

**⚠ ADVERTENCIA:** Esta unidad arranca automáticamente. SIEMPRE apague el compresor, quite el enchufe del tomacorrientes, y purgue toda la presión del sistema antes de realizar el servicio al compresor y cuando el compresor no esté en uso. No utilice la unidad sin las cubiertas o sin el protector de la correa ya que podría sufrir lesiones por el contacto con las piezas móviles.

Se debe mantenerse la tensión correcta de la correa y la alineación adecuada de la polea para obtener una máxima eficiencia de accionamiento y vida útil de la correa. La tensión es correcta si ocurre una deflexión (vea **A**) de 13 mm (1/2") al colocar 2,3 kg (5 lb) de fuerza (vea **B**) en el medio entre la polea del motor y el volante del compresor (Fig. 8). Esta deflexión puede ajustarse mediante el procedimiento siguiente. La polea debe alinearse cuidadosamente con el volante y todos los tornillos de fijación deben mantenerse ajustados.

1. Retire el protector de la correa.
2. Afloje los pernos de montaje del motor.
3. Desplace el motor hasta el punto en el cual exista la deflexión correcta (A y B).
4. Vuelva a ajustar los pernos de montaje del motor.
5. Verifique para asegurarse de que la tensión se mantuvo correcta.
6. Vuelva a instalar el protector de la correa. Todas las piezas móviles deben estar protegidas.

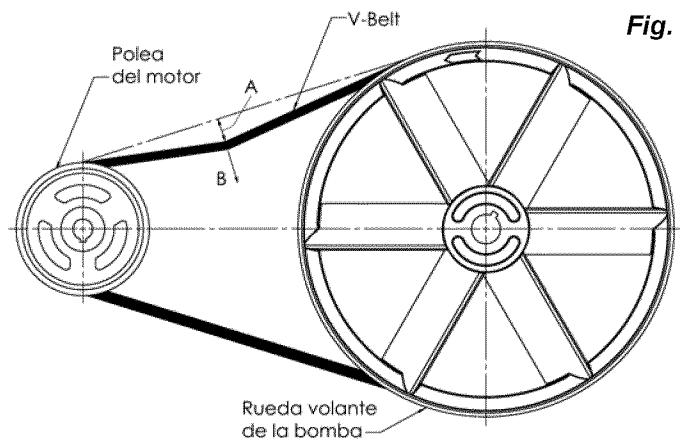
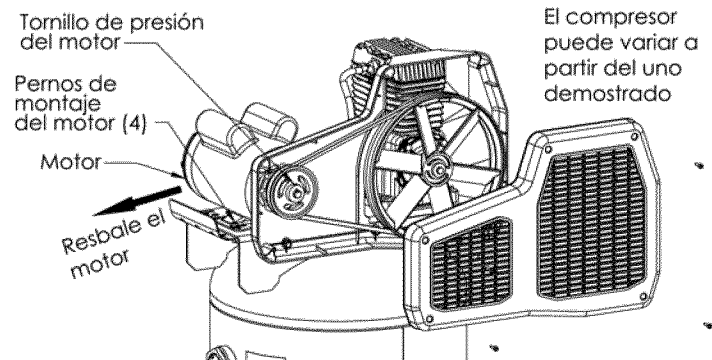


Fig. 8



## ALINEACIÓN DE LA POLEA

**⚠ ADVERTENCIA:** Esta unidad arranca automáticamente. SIEMPRE apague el compresor, quite el enchufe del tomacorrientes, y purgue toda la presión del sistema antes de realizar el servicio al compresor y cuando el compresor no esté en uso. No utilice la unidad sin las cubiertas o sin el protector de la correa ya que podría sufrir lesiones por el contacto con las piezas móviles.

Para verificar la alineación de la polea, retire el protector de la correa y coloque una regla (vea **A**) contra el volante de la bomba (vea **B**) (Fig. 9). Mida y registre la distancia desde la regla al borde de la correa de transmisión en el punto C. Luego mida la distancia desde la regla al borde de la correa de transmisión nuevamente en los puntos D y E. Ambas distancias deben ser iguales a la del punto C. Si D o E resultan distintas de C, existe una mala alineación que debe ser corregida antes de hacer funcionar el compresor. Para corregir una mala alineación de la polea, aplique el procedimiento siguiente.

1. Retire el protector de la correa.
2. Afloje los pernos de montaje del motor.
3. Afloje el tornillo de fijación de la polea del motor.
4. Alinee la polea del motor con el volante de la bomba (**C-D-E debe ser igual**).
5. Vuelva a ajustar el tornillo de fijación de la polea del motor.
6. Ajuste la tensión correcta de la correa.
7. Vuelva a ajustar los pernos de montaje del motor.
8. Vuelva a instalar el protector de la correa. Todas las piezas móviles deben quedar protegidas.

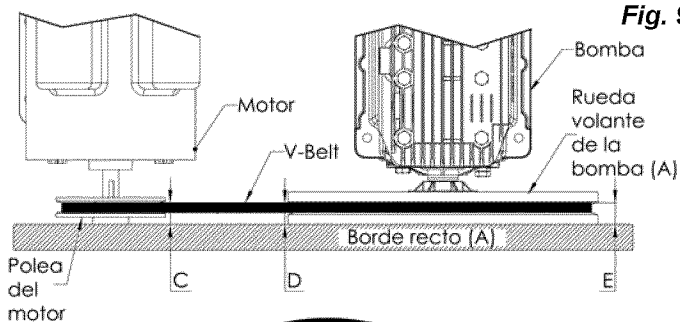
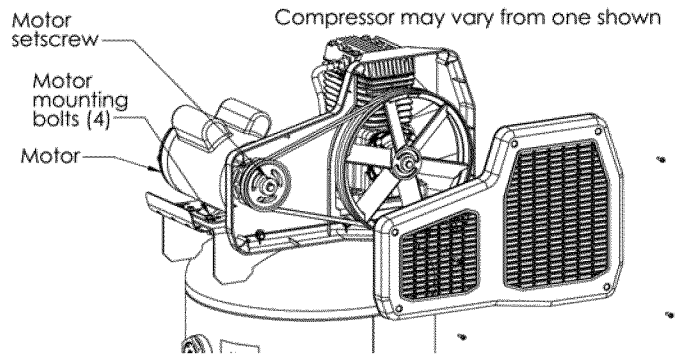
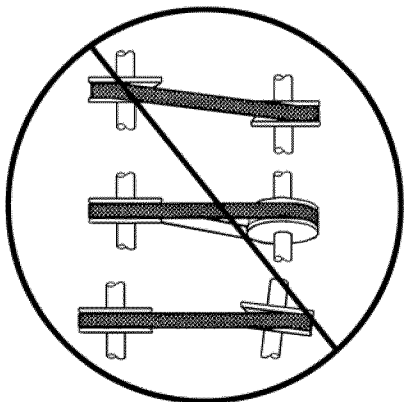


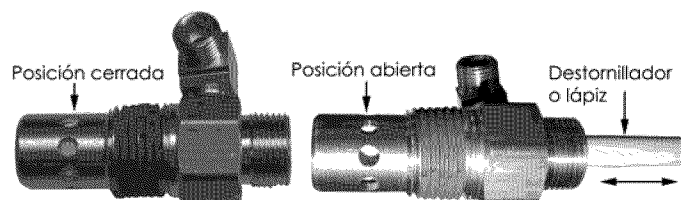
Fig. 9



## SUBSTITUYENDO O LIMPIANDO LA VÁLVULA DE CHEQUE

**⚠ ADVERTENCIA:** Esta unidad arranca automáticamente. SIEMPRE apague el compresor, quite el enchufe del tomacorrientes, y purgue toda la presión del sistema antes de realizar el servicio al compresor y cuando el compresor no esté en uso. No utilice la unidad sin las cubiertas o sin el protector de la correa ya que podría sufrir lesiones por el contacto con las piezas móviles.

1. Apague el compresor de aire, quite el cable eléctrico de enchufe o trabe hacia fuera la fuente de alimentación y releve todo el aire presión del tanque. Cerciérese de que el compresor tenga refrescado abajo antes de mantener.
2. Afloje la guarnición de la tuerca de la compresión en la válvula de cheque y bombee la cabeza usando una llave ajustable. Quite la transferencia tubo.
3. Afloje la guarnición de la tuerca de la compresión en el lado del cheque válvula e interruptor de presión usando una llave ajustable. Quite el tubo del sangrador.
4. Anotando la orientación para el nuevo ensamble, desatornille válvula de cheque del tanque (a la izquierda) usando un 7/8" llave de extremo abierto.
5. Usando un lápiz o un destornillador, empuje cuidadosamente el disco de la válvula arriba y abajo de. Si el disco de la válvula no se mueve libremente para arriba y abajo, la válvula de cheque necesita ser limpiada o ser substituida.
6. Limpie la válvula de cheque con agua jabonosa caliente y cerciérese de para secarse a fondo antes de reinstalar. Si todavía la válvula de disco no se mueve libremente hacia arriba y hacia abajo, él necesitará ser substituido.
7. Aplique el sellante del hilo de rosca a los hilos de rosca de la válvula de cheque y reinstálelo en el tanque dando vuelta a la derecha. Cerciérese de que sea igual orientación como cuando fue quitada.
8. Substituya el tubo del sangrador y apriete las tuercas de la compresión.
9. Substituya el tubo de transferencia y apriete las tuercas de la compresión.
10. Realice "robo el procedimiento de la bomba" en las instrucciones de manejo de cerciorarse de allí no son ningún n escape y está trabajando correctamente.



## MANTENIMIENTO

### LIMPIEZA DEL FILTRO DE AIRE

Un filtro de aire sucio reducirá el rendimiento y la vida útil del compresor. Para evitar cualquier contaminación interna de la bomba del compresor, el filtro debe limpiarse frecuentemente y reemplazarse de manera regular. Los filtros de fieltro deben limpiarse en agua jabonosa tibia. No permita que los filtros se llenen de suciedad ni pintura. Si el filtro se llena de pintura, deberá reemplazarse. La exposición directa a condiciones de suciedad y zonas en las que estén pintando anularán su garantía.

### REVISIÓN DE LA VÁLVULA DE ALIVIO

Tire de la válvula de alivio todos los días para asegurarse de que esté operando correctamente y para eliminar cualquier obstrucción posible de la misma.

### DETECCIÓN DE FUGAS

Compruebe que todas las conexiones estén ajustadas. Una pequeña fuga en cualquiera de las mangueras, tubos de transferencia o tubería reducirá de manera substancial el rendimiento de su compresor de aire. Si sospecha la existencia de una fuga, rocíe una pequeña cantidad de agua jabonosa alrededor de la zona con una botella rociadora. Si aparecen burbujas, selle y ajuste nuevamente la conexión. No ajuste demasiado.

### ALMACENAMIENTO

Antes de almacenar el compresor durante períodos prolongados, use un soplete de aire para limpiar todo el polvo y suciedad del compresor. Desconecte el cordón eléctrico, enrollándolo. Tire de la válvula de alivio de la presión para liberar toda la presión del tanque. Elimine toda la humedad del tanque. Limpie los elementos y el alojamiento del filtro; reemplácelos si fuera necesario. Drene el aceite del cárter de la bomba y reemplácelo con aceite nuevo. Cubra toda la unidad para protegerla de la humedad y del polvo.

## INTERVALOS DE SERVICIO

<b>Realice el mantenimiento siguiente a los intervalos indicados a continuación.</b>	<b>Diario o después de cada uso</b>	<b>Cada 100 horas de operación</b>
Inspección y limpieza del filtro de aire de entrada	●	
Verificación del nivel de aceite en la bomba	●	
Cambio del aceite de la bomba ( <i>Use aceite sintético no-detergente para el compresor de aire.</i> )		●
Operación de todas las válvulas de alivio de la presión	●	
Verificación de la tensión de las correas		●
Drenaje del tanque	●	
Verificación y ajuste de todos los pernos ( <i>no ajuste demasiado</i> )		●

## CUADRO DE DETECCIÓN DE FALLOS

Nota: Los problemas de detección de fallos pueden tener causas y soluciones similares.

PROBLEMA	CAUSA POSIBLE	SOLUCION
<b>Consumo excesivo de la corriente hace saltar el cortacircuito o el interruptor de restablecimiento del motor</b>	Voltaje bajo/sobrecarga del motor	Verifique que el suministro de energía sea el adecuado y que el compresor se encuentre conectado en un circuito exclusivo. Si está usando un cordón prolongador, intente utilizar el equipo sin el mismo. Si el compresor de aire se conecta a un circuito protegido por un fusible, utilice fusibles temporizados de doble elemento (sólo Buss Fusetron tipo "T").
	Correa de transmisión demasiado ajustada	Vuelva a ajustar la tensión de la correa.
	Pasajes de aire restringidos	Examine y sustituya los tubos de transferencia o la válvula de cheque, (véase "para substituir o para limpiar la válvula de cheque" en la sección del mantenimiento).
<b>Se detiene el compresor</b>	Bajo voltaje al motor	Suministre la energía adecuada.
	Válvula de retención dañada	Substituya la válvula de cheque (véase "para substituir o para limpiar la válvula de cheque" en la sección del mantenimiento).
	Bomba inmovilizada	Entre en contacto con el Sears o el otro centro de servicio calificado.
<b>Baja presión de descarga</b>	Fugas de aire	Ajuste o reemplace los accesorios o las conexiones con fugas. No a priete demasiado.
	Válvulas con fugas	Entre en contacto con el Sears o el otro centro de servicio calificado.
	Entrada de aire restringida	Limpie o reemplace los elementos del filtro de aire.
	Juntas salidas	Entre en contacto con el Sears o el otro centro de servicio calificado.
	Anillos del pistón o cilindro desgastados	Entre en contacto con el Sears o el otro centro de servicio calificado.
<b>Golpeteo de la bomba del compresor</b>	Polea del motor o volante del compresor suelto	Vuelva a ajustar la polea y el volante. Verifique la alineación.
	Bajo nivel de aceite en el cárter de la bomba	Mantenga el nivel adecuado de aceite en todo momento.
	Demasiado carbón en las válvulas o en la parte superior del pistón	Entre en contacto con el Sears o el otro centro de servicio calificado.
<b>Aceite en el aire de descarga</b>	Anillos de pistón o cilindros desgastados	Entre en contacto con el Sears o el otro centro de servicio calificado.
	Entrada de aire restringida	Limpie o reemplace los elementos del filtro.
	Nivel de aceite demasiado alto	Reduzca al nivel adecuado.
<b>Sobrecalentamiento</b>	Mala ventilación	Vuelva a ubicar el compresor en una zona con aire fresco, seco y bien circulado, por lo menos a 30 cm (12") de la pared más cercana.
	Superficies de enfriamiento sucias	Limpie muy bien todas las superficies de enfriamiento.
	Pasajes de aire restringidos	Examine y sustituya los tubos de transferencia o la válvula de cheque, (véase "para substituir o para limpiar la válvula de cheque" en la sección del mantenimiento).
<b>Desgaste excesivo de la correa</b>	La polea está desalineada	Vuelva a alinear la polea con el volante del compresor.
	Mala tensión de la correa	Vuelva a ajustar.
	La polea se tambalea	Reemplace la polea y verifique si el eje o el volante está dañado.
<b>El compresor no arrance en temperaturas frías</b>	Demasiada contrapresión en el tanque	Abra la llave de desconpresión al arrancar el motor.
	Aceite de 40W en el cárter	Use aceite sintético no-detergente para el compresor de aire.
	El compresor está demasiado frío	Mueva el compresor a un lugar más cálido.
<b>El aire que se escapaba a través del grifo de purga después de compresor apagó</b>	Válvula de cheque sucia o defectuosa.	Substituya o limpie la válvula de cheque (véase "para substituir o para limpiar la válvula de cheque" en la sección del mantenimiento).

## TABLE DES MATIÈRES

GARANTIE . . . . .29	Arrêt . . . . .35
TABLEAU DES SPÉCIFICATIONS . . . . .29	ENTRETIEN . . . . .36
CONSIGNES DE SÉCURITÉ . . . . .30-31	Vidange du réservoir . . . . .36
GLOSSAIRE DES TERMES . . . . .31	Vérification du niveau d'huile . . . . .36
VUE D'ENSEMBLE . . . . .32	Vidange d'huile . . . . .36
Éléments de base du compresseur d'air . . . . .32	Tension de la courroie et alignement de la poulie . .36-37
ASSEMBLAGE . . . . .32	Remplaçant ou nettoyant le calpet antiretour . . . . .38
COMMANDES DU COMPRESSEUR . . . . .33	Nettoyage du filtre à air . . . . .38
REMISE EN MARCHÉ ET CÂBLAGE DU	Vérification de soupape de décharge . . . . .38
MOTEUR . . . . .33	Essai d'étanchéité . . . . .38
Interrupteur de remise en marche du moteur . . . . .33	Entreposage . . . . .38
SPÉCIFICATIONS DE L'ALIMENTATION	ENTRETIEN PÉRIODIQUE . . . . .38
ÉLECTRIQUES . . . . .34	DÉPANNAGE . . . . .39
Câblage électrique . . . . .34	
Rallonges . . . . .34	
Instructions de mise à la terre . . . . .34	
MODE D'EMPLOI . . . . .35	
Rodage de la pompe . . . . .35	
Mise en marche quotidienne . . . . .35	

## GARANTIE

### ARTISAN UNE PLEINE GARANTIE D'AN PENDANT

UNE ANNÉE de la date de l'achat, ce produit est justifié contre tous les défauts dans le matériel ou l'exécution. Le produit défectueux recevra la réparation libre ou le remplacement libre si la réparation est indisponible.

Pour que les détails d'assurance de garantie obtiennent la réparation ou le remplacement, visitez le site Web : [www.craftsman.com](http://www.craftsman.com)

Cette garantie ne couvre pas la ceinture de filtre à air ou d'entraînement, qui est des pièces déposables qui peuvent porter dehors de l'utilisation normale au cours de la période de garantie.

Cette garantie est vide si ce produit est jamais employé tout en fournissant des services commerciaux ou si loué à une autre personne.

Cette garantie te donne des droits légaux spécifiques, et vous pouvez également avoir d'autres droits qui varient de l'état à l'état.

Sears Brands Management Corporation, domaines de Hoffman, IL 60179 Etats-Unis

## TABLEAU DES SPÉCIFICATIONS

MODÈLE	RUNNING H.P.	CAPACITÉ DU RÉSERVOIR - LITRES	TENSION/ AMPS/PHASE	PRESSION D'OUVERTURE	PRESSION DE FERM.
921.16474 (WLB1982713)	1.9	Vert. 27 (102)	115/15/1	120 (8,27 bar)	150 (10,34 bar)
921.16475 (WPB1982513)	1.9	Horiz. 25 (94,6)	115/15/1	120 (8,27 bar)	150 (10,34bar)

## CONSIGNES DE SÉCURITÉ

Les informations suivantes concernent VOTRE SÉCURITÉ et LA PROTECTION DU MATÉRIEL CONTRE LES PANNES. Pour vous aider à identifier la nature de ces informations, nous utilisons les symboles suivants. Veuillez lire le manuel et prêter attention à ces sections.











**⚠ DANGER:** – DANGER POTENTIEL POUVANT ENTRAÎNER DE GRAVES BLESSURES OU LA MORT.

**⚠ AVERTISSEMENT:** – DANGER POUVANT CAUSER DES BLESSURES GRAVES VOIRE MORTELLES.

**⚠ ATTENTION:** – DANGER POUVANT CAUSER DES BLESSURES MOYENNEMENT GRAVES OU L'ENDOMMAGEMENT DE L'APPAREIL.



## INSTRUCTIONS DE SÛRETÉ IMPORTANTES

**⚠ AVERTISSEMENT:**

<p><b>RISQUE D'INCENDIE OU D'EXPLOSION.</b></p> 	<p>Ne jamais vaporiser de liquides inflammables dans un endroit confiné. Il est normal que le moteur et le manostat produisent des étincelles pendant le fonctionnement. Si les étincelles entrent en contact avec les vapeurs d'essence ou d'autres solvants, ces vapeurs peuvent s'enflammer et causer un incendie ou une explosion. Utilisez toujours le compresseur dans une zone bien aérée. Ne fumez pas quand vous pulvérisez. Ne pulvérisez pas en présence d'étincelles ou de flammes. Placez le compresseur aussi loin que possible de la zone de pulvérisation.</p>
<p><b>RISQUE D'ÉCLATEMENT.</b></p> 	<p>Ne soudez pas, ne percez pas ou ne modifiez pas le réservoir d'air de ce compresseur. La soudure ou des modifications sur le réservoir du compresseur d'air peut sensiblement altérer sa solidité et causer des conditions d'utilisation extrêmement dangereuses. La soudure ou la modification quelconque du réservoir entraînera l'annulation de la garantie.</p>
<p><b>RISQUE DE CHOC ÉLECTRIQUE.</b></p> 	<p>N'utilisez jamais un compresseur d'air électrique à l'extérieur quand il pleut ou sur une surface mouillée sous peine de vous exposer à une décharge électrique.</p>
<p><b>RISQUE DE BLESSURE.</b></p> 	<p>Cet appareil se met en marche automatiquement. Arrêtez TOUJOURS le compresseur, débranchez-le de la prise de courant et purgez toute la pression du circuit avant de procéder à l'entretien du compresseur ou lorsque vous ne l'utilisez pas. N'utilisez pas l'appareil sans les protections ou le garde-courroie. Risque de blessures graves en cas de contact avec les pièces en mouvement !</p>
<p><b>RISQUE D'ÉCLATEMENT.</b></p> 	<p>Vérifiez les spécifications de pression maximum recommandées par le fabricant pour les outils et les accessoires pneumatiques. La pression de sortie du compresseur doit être réglée de façon à ne jamais dépasser la pression maximum nominale de l'outil. Dépressurisez entièrement le tuyau avant de raccorder ou de débrancher des accessoires.</p>
<p><b>RISQUE D'ÉCLATEMENT.</b></p> 	<p>Les températures élevées sont produites par la pompe et la tubulure. Pour éviter toute brûlure ou d'autres blessures, NE TOUCHEZ PAS la pompe, le distributeur ou le tube de transfert tandis que la pompe fonctionne. Laissez-les refroidir avant de les manipuler ou de procéder à leur entretien. Ne laissez jamais les enfants s'approcher du compresseur.</p>
<p><b>RISQUE RESPIRATOIRE.</b></p> 	<p>Veillez à lire toutes les étiquettes quand vous pulvérisez de la peinture ou des matériaux toxiques, et suivez les consignes de sécurité. Utilisez un masque à gaz si vous risquez d'inhaler le produit pulvérisé. Lisez toutes les instructions et veillez à ce que le masque à gaz assure votre protection. Ne jamais inhaler l'air comprimé d'un compresseur. Il ne convient pas à la respiration.</p>
<p><b>RISQUE DE BLESSURE AUX YEUX.</b></p> 	<p>Porter toujours des lunettes de sécurité homologuées ANSI Z87.1 lors de l'utilisation d'un compresseur d'air. Ne dirigez jamais une buse ou un pulvérisateur vers quelqu'un ou une quelconque partie du corps. Ce matériel peut causer des blessures graves si le produit vaporisé pénètre dans la peau.</p>
<p><b>RISQUE D'ÉCLATEMENT.</b></p> 	<p>Ne régler la soupape de décharge sous aucun prétexte : ceci aurait pour effet d'annuler toutes les garanties. La soupape de décharge est pré-réglée en usine à la pression maximum de l'unité. L'altération de la soupape de décharge risque d'entraîner des blessures et/ou des dégâts matériels.</p>
<p><b>RISQUE D'ÉCLATEMENT.</b></p> 	<p>N'utilisez pas de tuyaux en plastique ou en PVC pour l'air comprimé. Utilisez uniquement des tuyaux et des raccords en acier galvanisé pour le circuit de distribution de l'air comprimé.</p>

## INSTRUCTIONS DE SÛRETÉ IMPORTANTES

### ⚠ AVERTISSEMENT:

<b>RISQUE AUDITIF.</b> 	Porter toujours des protecteurs d'oreilles en utilisant un compresseur d'air. Dans le cas contraire, il y a risque de perte d'audition.
	Le cordon d'alimentation de ce produit contient du plomb, un produit chimique reconnu par l'État de Californie comme pouvant causer le cancer, des malformations à la naissance ou autres problèmes de reproduction. <b>Lavez-vous les mains après utilisation.</b>
<b>REMARQUE: CÂBLAGE ÉLECTRIQUE.</b>	Pour savoir quelles sont les normes d'intensité et de tension de l'appareil, référez-vous à l'étiquette du numéro de série du compresseur d'air. Veillez à ce que tout le câblage soit effectué par un électricien qualifié conformément au Code National Électrique des E.U.

### ⚠ ATTENTION:

Vidangez tous les jours l'humidité accumulée dans le réservoir. Pour éviter la corrosion, le réservoir doit être propre et sec.
Tirez tous les jours sur l'anneau de la soupape de décharge pour vous assurer qu'elle fonctionne correctement et éliminer toutes les obstructions possibles de la soupape.
Pour assurer une ventilation correcte pour le refroidissement, le compresseur doit être placé à une distance minimum de 31 cm (12 pouces) du mur le plus proche, dans une zone bien aérée.
Si vous transportez le compresseur, fixez-le bien. Avant de le transporter, il faut d'abord dépressuriser le réservoir.
Protégez le tuyau d'air contre les risques d'endommagement et de perforation. Inspectez-le chaque semaine pour déceler toute trace de faiblesse ou d'usure et remplacez-le au besoin.
Pour réduire les risques de décharge électrique, protégez l'appareil de la pluie. Entreposez-le à l'intérieur.
N'actionnez jamais le compresseur si le cordon ou la prise de secteur sont endommagés. Ayez l'unité entretenue à un Sears ou à tout autre centre de service qualifié.

## GLOSSAIRE DES TERMES

- CFM**  
Pieds cubes par minute ; une unité de mesure de débit d'air.
- Bar**  
Unité de mesure de pression d'air.
- Pression d'ouverture**  
Point de pression bas réglé en usine qui met en marche le moteur de la pompe pour remettre sous pression l'air dans le réservoir.
- Pression d'arrêt**  
Point de pression haut réglé en usine qui arrête le moteur de la pompe et la hausse de pression dans le réservoir au-delà d'un certain niveau.
- Bien aéré**  
Qualifie un endroit où les gaz d'échappement ou les vapeurs sont remplacés par de l'air frais.
- Circuit réservé**  
Circuit électrique réservé exclusivement au compresseur d'air.

## VUE D'ENSEMBLE

### ÉLÉMENTS DE BASE DU COMPRESSEUR D'AIR

Les éléments de base du compresseur d'air sont le moteur électrique, la pompe, le manostat et le réservoir.

Le **moteur électrique (A)** actionne la pompe. Il est équipé d'un protecteur de surcharge pour ne pas griller. Le protecteur de surcharge arrête le moteur dès qu'il surchauffe. Dans ce cas, laissez-le refroidir pendant 10 à 15 minutes, puis appuyez sans forcer sur l'interrupteur de remise en marche du moteur pour le redémarrer.

La **pompe (B)** comprime l'air.

Le **réservoir (C)** contient l'air comprimé.

Le **manostat (D)** arrête le moteur et libère la pression d'air dans la pompe et le tube de transfert quand la pression dans le réservoir atteint la pression de fermeture. Au fur et à mesure que l'air comprimé est utilisé et que le niveau de pression dans le réservoir baisse jusqu'à la pression d'ouverture, le manostat remet le moteur en marche automatiquement, sans avertissement, et la pompe reprend la compression d'air.

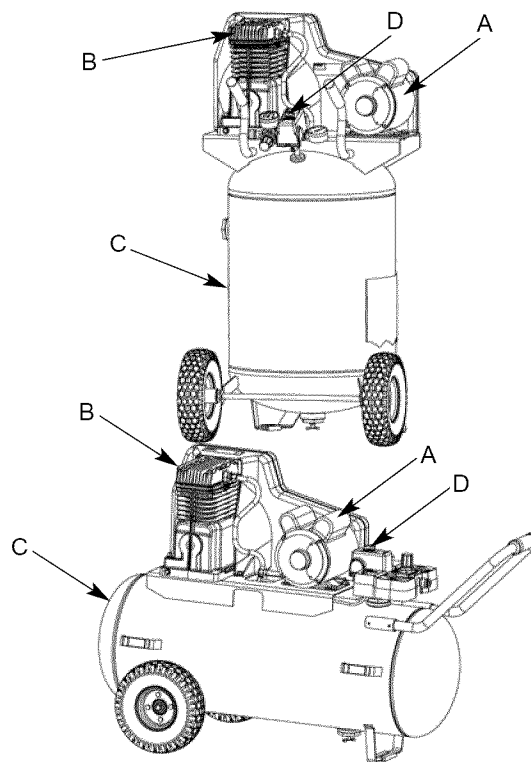


Fig. 1

## ASSEMBLAGE

### ASSEMBLAGE DU COMPRESSEUR



**Ce compresseur a été embarqué avec de l'huile dans le carter de vilebrequin de pompe. Vérifiez l'huile avant d'actionner le compresseur d'air, voyez l'huile de contrôle sous l'entretien.**

- Sortez le compresseur d'air de sa boîte. Inspectez-le pour vous assurer qu'il n'est pas endommagé. S'il a été endommagé pendant le transport, référez-vous à l'étiquette de transport et déclarez les dommages aux transporteurs. Faites cette démarche immédiatement étant donné les délais limites des demandes d'indemnisation.

Le carton doit contenir :

- compresseur d'air
- manuel de l'opérateur et manuel de pièces
- poignée (réservoir horizontal)

- Vérifiez l'étiquette du numéro de série du compresseur pour vous assurer qu'il s'agit bien du modèle commandé et que la pression nominale est conforme à l'utilisation prévue.
- Installez la poignée en détachant les vis de réglage (F) et puis le placement de la poignée finit (E) dans les parenthèses (G) de poignée et fixez avec les vis de réglage (F) (voir la fig. 2). Serrez vis utilisant une clef à six pans de la taille 3mm (non incluse).
- Positionnez le compresseur conformément aux recommandations suivantes :

- Placez le compresseur près d'une prise de courant mise à la terre (voir INSTRUCTIONS DE MISE À LA TERRE). **Évitez d'utiliser une rallonge** ; utilisez

- plutôt un tuyau flexible plus long.
- Pour assurer un écoulement d'air et un refroidissement suffisants, le côté du volant-moteur du compresseur doit se trouver dans une zone propre et bien ventilée, et à une distance de 31 cm (12 pouces) du mur ou de toute autre obstruction.
- Dans des climats froids, entreposez les compresseurs portatifs dans un bâtiment chauffé lorsqu'ils ne sont pas en service pour réduire les problèmes de lubrification, de démarrage du moteur et de gel de l'eau produite par condensation.
- Le compresseur doit être à niveau pour assurer le graissage de la pompe et une vidange correcte de l'eau condensée dans le réservoir.

- Reliez des tuyaux d'air (non inclus) à la sortie diverse.

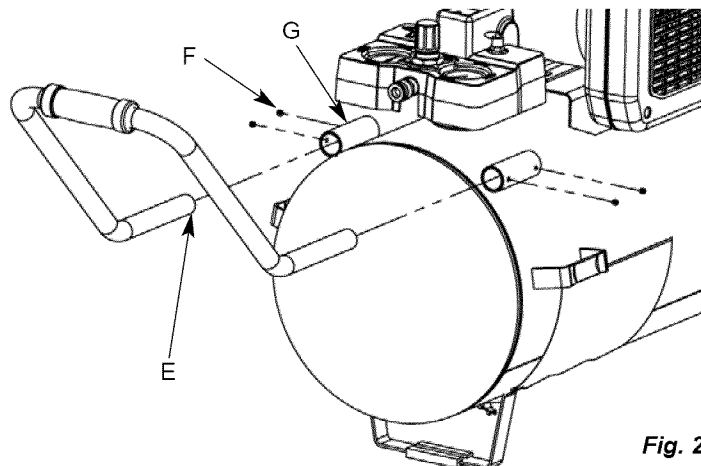


Fig. 2



## COMMANDES DU COMPRESSEUR

### Manostat (A)

Cet interrupteur met en marche le compresseur. Il est actionné manuellement, mais, s'il se trouve sur la position ON, le compresseur se met en marche ou s'arrête automatiquement, sans avertissement, en fonction de la demande d'air. Réglez TOUJOURS cet interrupteur sur la position OFF quand vous n'utilisez pas le compresseur et avant de le débrancher.

### Soupape de décharge (B)

Si le manostat n'arrête pas le moteur quand la pression atteint le niveau prédéfini, cette soupape s'ouvre automatiquement pour éviter toute surpressurisation. Pour l'actionner manuellement, tirez sur son anneau afin de libérer la pression d'air dans le réservoir.

### Manomètre du réservoir (C)

Ce manomètre mesure le niveau de pression d'air dans le réservoir. L'utilisateur ne peut pas régler ce manomètre et il n'indique pas la pression dans la conduite.

### Régulateur de pression d'air (D)

Le régulateur de pression d'air permet de régler la pression de la conduite de l'outil que vous utilisez.

**⚠ AVERTISSEMENT:** Ne dépassez jamais la pression maximum nominale de l'outil.

Tournez le bouton dans le sens des aiguilles d'une montre pour augmenter la pression et dans le sens inverse pour la réduire.

### Reliez vite (voir le F)

Un dégagement rapide pour attacher et enlever les tuyaux d'air.

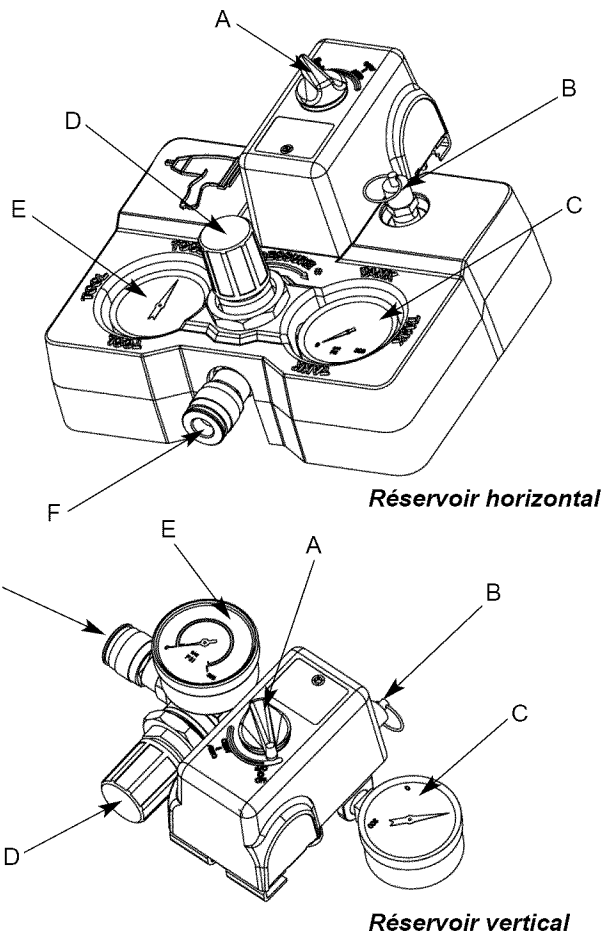


Fig. 3

## REMISE EN MARCHÉ ET CÂBLAGE DU MOTEUR

### INTERRUPTEUR DE REMISE EN MARCHÉ DU MOTEUR

**⚠ AVERTISSEMENT:** Veillez à ce que toutes les sécurités et protections soient installées avant d'appuyer sur l'interrupteur de remise en marche.

Si le moteur s'arrête à cause d'une surcharge, attendez 10 à 15 minutes que le moteur ait refroidi, puis appuyez SANS FORCER sur l'interrupteur de remise en marche du moteur (G) pour le redémarrer.

**REMARQUE :** Certains modèles sont équipés d'un moteur bitension de 115/230 volts. La plupart des modèles sont câblés à l'usine pour 115 volts. Si conversion de 115 volts à 230 volts est exigé, se rapporte au moteur la plaque signalétique et ont la conversion exécutée près un électricien autorisé.

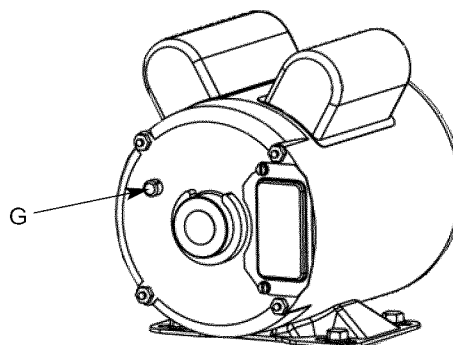


Fig. 4

# SPÉCIFICATIONS DE L'ALIMENTATION ÉLECTRIQUE

## CÂBLAGE ÉLECTRIQUE

Pour vous renseigner sur les normes d'intensité et de tension de l'appareil, référez-vous à l'étiquette du numéro de série du compresseur d'air.

### Utilisez un circuit séparé

**Pour obtenir le meilleur rendement possible et une mise en marche fiable, le compresseur d'air doit être installé sur un circuit séparé, aussi près que possible d'une boîte à fusibles ou d'un disjoncteur.** Le compresseur utilise toute la capacité d'un circuit à usage domestique typique. Si d'autres appareils électriques tirent du courant sur le circuit du compresseur, il est possible que le compresseur ne puisse pas démarrer. Si la tension est insuffisante ou si le circuit est surchargé, le démarrage risque d'être lent et d'entraîner en conséquence le déclenchement du disjoncteur ou de l'interrupteur de remise en marche du moteur, surtout s'il fait froid.

**NOTE:** Pour manipuler la charge électrique initiale de mettre en marche le compresseur d'air, un disjoncteur est recommandé. Si le compresseur d'air est relié à un circuit protégé par un fusible, utilisez les fusibles à retard de temps d'élément duel (type « T » de Buss Fusetron seulement).

## RALLONGES

**REMARQUE :** Évitez d'utiliser des rallonges.

Pour obtenir un rendement optimum, branchez le câble d'alimentation du compresseur directement sur une prise de courant mise à la terre. N'utilisez pas de rallonge sauf nécessité absolue. Utilisez plutôt un tuyau flexible plus long pour atteindre la zone où l'air est nécessaire.

S'il l'utilisation d'une rallonge est inévitable, le cordon électrique ne doit pas dépasser 15 m (50 pi) et doit être d'un calibre minimum de 12 (AWG). N'utilisez pas une rallonge de calibre 16 ou 14.

Utilisez seulement une rallonge à 3 fils munie d'une prise de terre à 3 lames et une prise de courant à 3 fentes dans laquelle la prise peut être branchée. Veillez à ce que la rallonge que vous allez utiliser soit en bon état. Une rallonge de dimension inférieure à celle préconisée causera une baisse de tension sur la ligne qui se soldera par une perte de puissance et une surchauffe. Plus le calibre est petit, plus la rallonge doit être grosse.

## INSTRUCTIONS DE MISE À LA TERRE

### POUR MODÈLES À CORDON :

Ce produit doit être mis à la terre. En cas de court-circuit électrique, la mise à la terre réduit les risques de décharges électriques en fournissant un fil par lequel le courant électrique peut s'échapper.

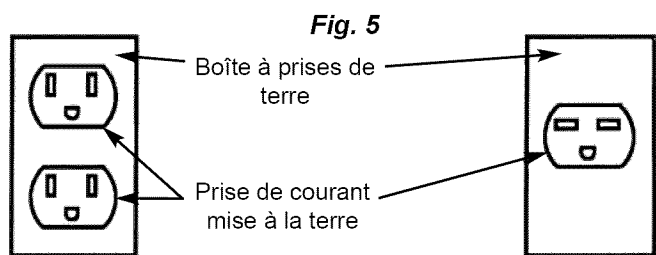
Ce produit est équipé d'un câble d'alimentation muni d'un fil de terre et d'une fiche de terre appropriée. Cette fiche doit être branchée sur une prise de courant qui a été mise à la terre et installée conformément à toutes les normes et décrets locaux.

**de terre est recouvert d'une gaine d'isolement verte avec ou sans rayures jaunes.**

Ce produit est conçu pour fonctionner sur un circuit d'une tension nominale de 115 ou 230 volts. Un câble muni d'une prise de terre, comme illustré ici, doit être utilisé.

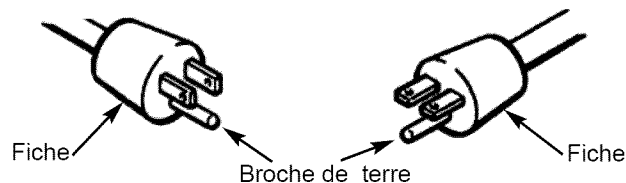
Veillez à ce que le compresseur soit branché sur une prise de courant compatible avec la fiche (**Figure 5**). N'utilisez pas d'adaptateur avec ce produit.

Si vous ne comprenez pas les instructions de mise à la terre ou si vous doutez que le compresseur soit correctement mis à la terre, consultez un électricien qualifié. Ne modifiez pas la fiche fournie avec l'appareil ; si elle ne s'adapte pas à la prise de courant, faites installer une prise de courant correcte par un électricien qualifié.



115 VOLTS  
15 AMPÈRES

230 VOLTS  
15 AMPÈRES




**⚠ DANGER:** L'installation incorrecte de la fiche de terre risque de provoquer des décharges électriques. Si la réparation ou le remplacement de la corde ou de la prise est nécessaire, ne reliez pas le fil de masse à l'une ou l'autre borne plate de lame de la prise. Le fil

## MODE D'EMPLOI

### RODAGE DE LA POMPE

1. Vérifiez le niveau d'huile dans la pompe (voyez « vérifier l'huile » dans section d'entretien).
2. Placer le manocontacteur en position ARRÊT (C).
3. Ouvrez le robinet de purge (F). Tourner le bouton vers la droite.

 **ATTENTION:** L'air et l'humidité qui s'échappent peuvent projeter des particules pouvant causer des blessures aux yeux. Portez des lunettes de protection lorsque vous ouvrez le robinet de purge.

4. Branchez le cordon d'alimentation.
5. Placez le manostat sur la position ON (D).  
Le compresseur démarre. Laissez tourner pendant 30 minutes pour roder les pièces internes.


**REMARQUE:** Après environ 30 minutes, si l'unité ne fonctionne pas correctement, ARRÊTEZ IMMÉDIATEMENT, et entrez en contact avec a Sears ou autre a qualifié le centre de service.

6. Après environ 30 minutes, tourner le manocontacteur en position ARRÊT.
7. Fermez le robinet de purge (E).
8. Tourner le manocontacteur en position ON. Tourner vers la droite. Le compresseur démarre et remplit le réservoir jusqu'à la pression de fermeture, puis s'arrête.


**REMARQUE:** Pendant que l'air comprimé est employé, le manocontact remettez en marche le moteur automatiquement pour fournir plus air comprimé au réservoir.

### MISE EN MARCHÉ QUOTIDIENNE

1. Vérifiez le niveau d'huile dans la pompe (voyez « vérifier l'huile » dans section d'entretien).
2. Placer le manocontacteur en position ARRÊT (C).
3. Fermez le robinet de purge du réservoir (E). Tourner vers la droite.
4. Branchez le cordon d'alimentation.


 **AVERTISSEMENT:** La pompe et le moteur électrique produisent des températures élevées. Pour éviter les brûlures et autres blessures, NE touchez PAS le compresseur quand il est en marche. Laissez-le refroidir avant de le manipuler ou d'effectuer son entretien. Ne laissez jamais les enfants s'approcher du compresseur.

5. Tourner le manocontacteur en position ON (D).
6. Si votre compresseur est équipé d'un régulateur de pression, réglez sa pression pour qu'elle corresponde à la pression de service de l'outil.

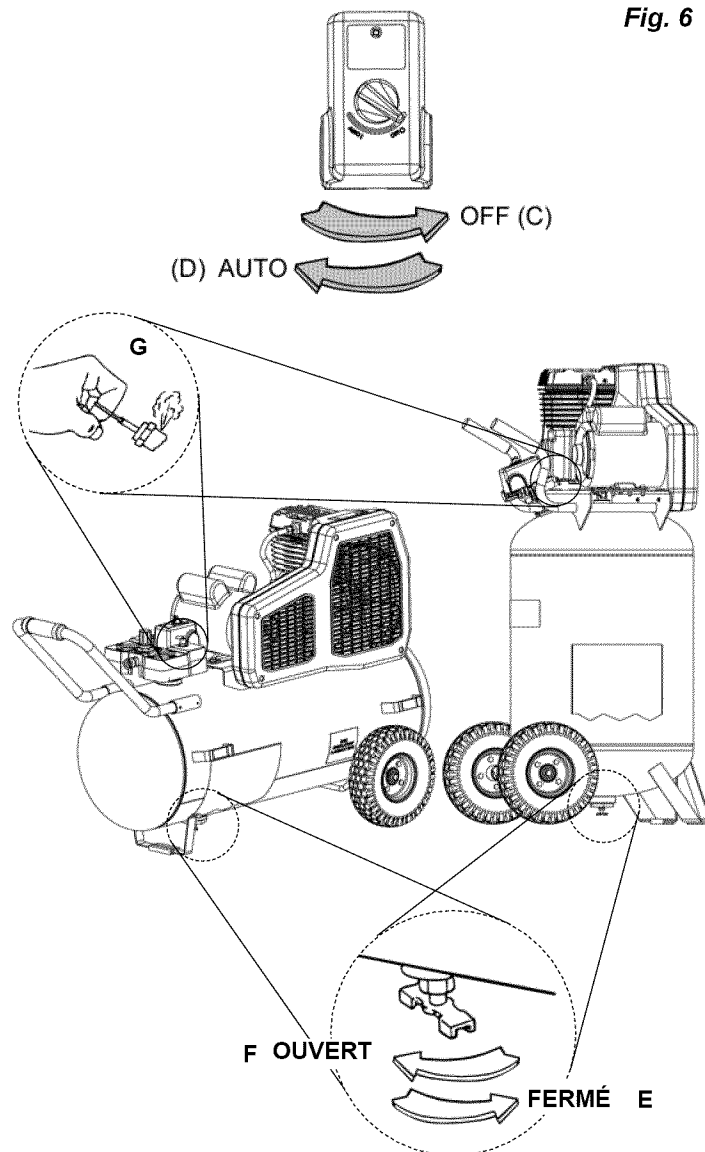
 **AVERTISSEMENT:** Pour passer d'une pression élevée à une pression plus basse, tournez le bouton dans le sens contraire des aiguilles d'une montre au-delà du réglage de pression désiré, puis tournez-le dans le sens des aiguilles d'une montre pour atteindre la pression désirée. Ne pas dépasser la pression de fonctionnement de l'outil ou de l'accessoire utilisé.

### ARRÊT

1. Placer le manocontacteur en position ARRÊT (C).
2. Débranchez le cordon d'alimentation.
3. Réduisez la pression dans le réservoir par l'orifice de sortie du tuyau. Vous pouvez également tirer sur l'anneau de la soupape de décharge (G) et la maintenir ouverte pour libérer la pression dans le réservoir.

 **ATTENTION:** L'air et l'humidité qui s'échappent peuvent projeter des particules pouvant causer des blessures aux yeux. Portez des lunettes de protection lorsque vous ouvrez le robinet de purge.

4. Ouvrez le robinet de purge (voir F) pour permettre à l'humidité de s'écouler le réservoir.



## ENTRETIEN

**AVERTISSEMENT:** Pour éviter les risques de blessures, arrêtez et débranchez toujours le compresseur et libérez toute la pression d'air dans le circuit avant de procéder à l'entretien.

L'entretien régulier de l'appareil permettra d'assurer un fonctionnement sans problèmes. Votre compresseur d'air électrique est un appareil de haute qualité ; toutefois, même les machines de haute qualité nécessitent un entretien périodique. Les composants énumérés ci-dessous doivent être inspectés régulièrement.

### VIDANGE DU RÉSERVOIR



**AVERTISSEMENT:** De la condensation se forme dans le réservoir. Pour éviter la formation de corrosion depuis l'intérieur du réservoir, cette condensation doit être évacuée à la fin de chaque journée de travail. Veillez à porter des lunettes de protection. Libérez la pression d'air dans le circuit et ouvrez le robinet de purge en bas du réservoir pour vidanger.

### VÉRIFICATION DU NIVEAU D'HUILE

Pour vérifier le niveau d'huile dans la pompe, dévissez le jaugeur et effacez l'huile. Vissez le jaugeur toute la manière dedans et dévissez alors. Le niveau d'huile de pompe devrait être s'ajouté entre entre (voir le C) et complètement (voir le B). Remplacez le jaugeur. Ne remplissez pas au-dessus du niveau ou underfill.

**REMARQUE:** Utilisez uniquement une huile synthétique pour air-compresseur non-détergente.

### VIDANGE D'HUILE

Retirez le bouchon de l'orifice de vidange d'huile (A) et vidangez l'huile jusqu'à ce que l'écoulement ralentisse et que l'huile ne fasse que s'égoutter. Ensuite, remettez le bouchon. Ajoutez de l'huile pour compresseur (532 ml) jusqu'à ce que le niveau d'huile se trouve entre le repère maximum (B) et le repère minimum (C) de la jauge lorsque celle-ci est complètement vissée dans l'orifice (D). Ne remplissez jamais trop la pompe, ni insuffisamment.

**REMARQUE:** Le compresseur est prérempli avec de l'huile synthétique. Employez l'huile synthétique et non-détergente de compresseur d'air.

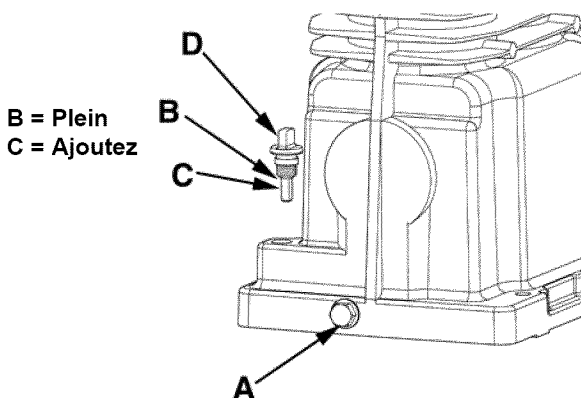


Fig. 7

## TENSION DE LA COURROIE ET ALIGNEMENT DE LA POULIE

**AVERTISSEMENT:** Pour écarter les risques de blessures, arrêtez et débranchez toujours le compresseur et libérez toute la pression d'air dans le circuit avant de procéder à son entretien.

**REMARQUE :** La tension de la courroie et l'alignement de la poulie se font simultanément. Chaque procédure est décrite séparément par souci de clarté.

### RÉGLAGE DE LA TENSION DE LA COURROIE D'ENTRAÎNEMENT



**AVERTISSEMENT:** Cet appareil se met en marche automatiquement. Arrêtez TOUJOURS le compresseur, débranchez-le de la prise de courant et purgez toute la pression du circuit avant de procéder à l'entretien du compresseur ou lorsque vous ne l'utilisez pas. N'utilisez pas l'appareil sans les protections ou le garde-courroie. Risque de blessures graves en cas de contact avec les pièces en mouvement !

Pour une efficacité d'entraînement et une durée de vie maximales de la courroie, l'alignement de la poulie et la tension de la courroie doivent être maintenus. La tension est correcte en présence d'un fléchissement (A) de 13 mm (1/2") après l'application d'une force (B) de 2,3 kg (5 lb) à mi-distance entre la poulie du moteur et le volant-moteur de la pompe. Ce fléchissement peut être réglé en procédant comme suit. La poulie doit être soigneusement alignée sur le volant-moteur et toutes les vis d'arrêt doivent être serrées.

1. Enlevez le garde-courroie.
2. Desserrez les boulons de montage du moteur.
3. Décalez le moteur jusqu'au point où le fléchissement correct est obtenu (A & B).
4. Resserrez les boulons de montage du moteur.
5. Assurez-vous que la tension reste correcte.
6. Réinstallez le garde-courroie. Toutes les pièces en mouvement doivent être protégées par une sécurité.

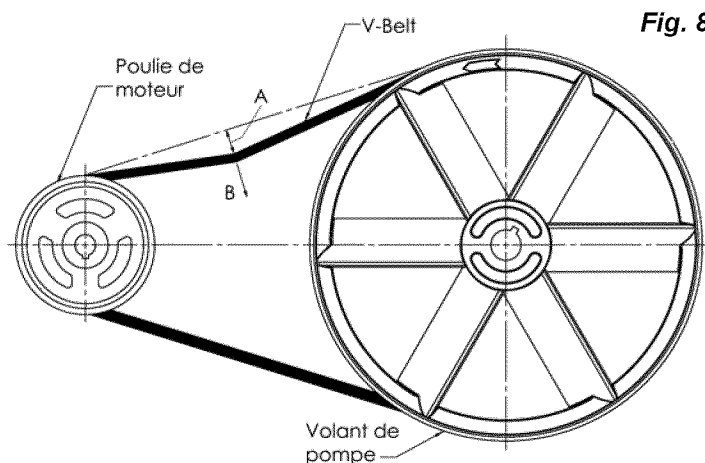
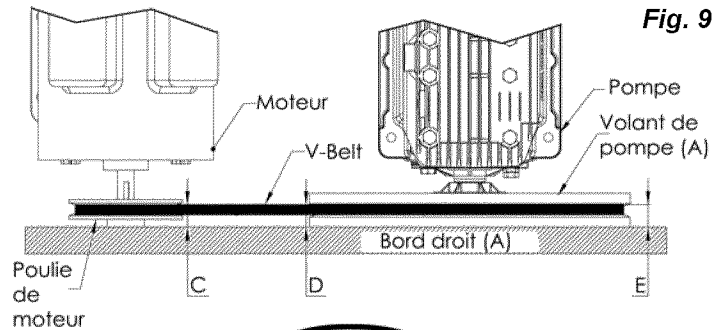
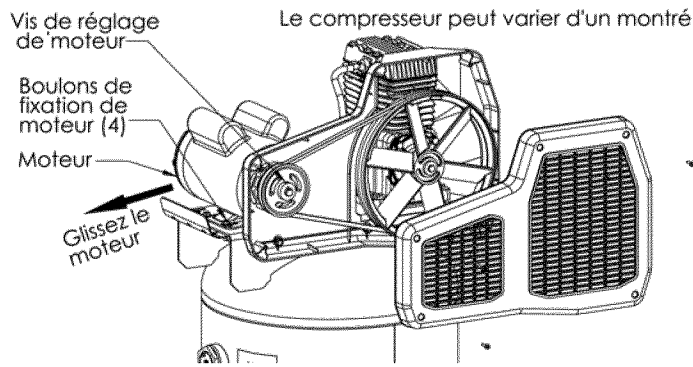
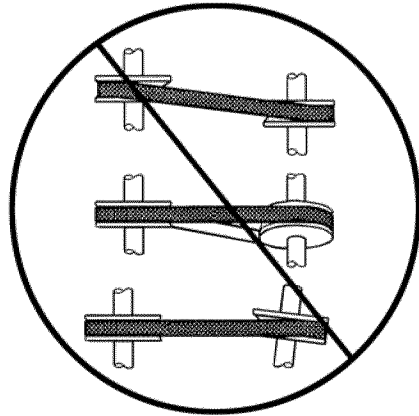


Fig. 8

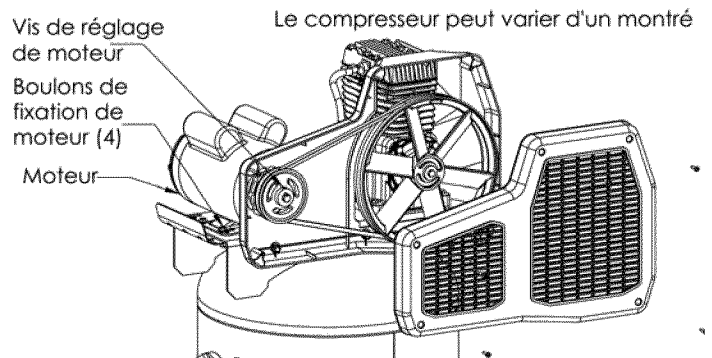


## ALIGNEMENT DE LA POULIE

**AVERTISSEMENT :** Cet appareil se met en marche automatiquement. Arrêtez TOUJOURS le compresseur, débranchez-le de la prise de courant et purgez toute la pression du circuit avant de procéder à l'entretien du compresseur ou lorsque vous ne l'utilisez pas. N'utilisez pas l'appareil sans les protections ou le garde-courroie. Risque de blessures graves en cas de contact avec les pièces en mouvement !



Pour vérifier l'alignement de la poulie, placez une règle (A) contre le volant-moteur du compresseur (B). Mesurez et notez la distance entre la règle et le bord de la courroie d'entraînement au point C. Mesurez ensuite de nouveau la distance entre la règle et le bord de la courroie d'entraînement aux points D et E. Les deux distances doivent correspondre à la même distance qu'en C. Si D ou E est différent de C, il existe un défaut d'alignement qu'il faut corriger avant de faire fonctionner le compresseur. Pour corriger un défaut d'alignement de la poulie, procédez comme suit :



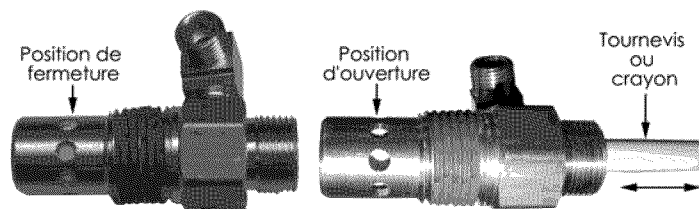
1. Enlevez le garde-courroie.
2. Desserrez les boulons de montage du moteur.
3. Desserrez la vis d'arrêt sur la poulie du moteur.
4. Alignez la poulie du moteur sur le volant-moteur de la pompe (C-D-E doit être égal).
5. Resserrez la vis d'arrêt de la poulie du moteur.
6. Réglez correctement la tension de la courroie.
7. Resserrez les boulons de montage du moteur.
8. Réinstallez le garde-courroie. Toutes les pièces en mouvement doivent être protégées par une sécurité.

## ENTRETIEN

### REMPLAÇANT OU NETTOYANT LE CLAPET ANTI-RETOUR

**AVERTISSEMENT:** Cet appareil se met en marche automatiquement. Arrêtez TOUJOURS le compresseur, débranchez-le de la prise de courant et purgez toute la pression du circuit avant de procéder à l'entretien du compresseur ou lorsque vous ne l'utilisez pas. N'utilisez pas l'appareil sans les protections ou le garde-courroie. Risque de blessures graves en cas de contact avec les pièces en mouvement !

1. Arrêtez le compresseur d'air, enlevez le cordon de secteur du sortie ou fermez à clef dehors l'alimentation d'énergie et soulagez tout l'air pression du réservoir. Assurez-vous que le compresseur a refroidi avant l'entretien.
2. Détachez l'ajustage de précision d'écrou de compression sur le clapet anti-retour et pompez la tête utilisant une clé réglable. Enlevez le transfert tube.
3. Détachez l'ajustage de précision d'écrou de compression du côté du contrôle valve et mano-contact utilisant une clé réglable. Enlevez le tube de résistance de fuite.
4. En notant l'orientation pour le remontage, dévissez clapet anti-retour du réservoir (dans le sens contraire des aiguilles d'une montre) utilisant un 7/8 » clé à fourche.
5. Utilisant un crayon ou un tournevis, poussez soigneusement le disque de valve à travers. Si le disque de valve ne se bouge pas librement vers le haut et vers le bas, le clapet anti-retour doit être nettoyé ou remplacé.
6. Nettoyez le clapet anti-retour avec de l'eau savonneux chaud et assurez-vous pour sécher complètement avant la réinstallation. Si la soupape à disque toujours ne se bouge pas librement en haut et en bas, il devra être remplacé.
7. Appliquez le mastic de fil aux fils de clapet anti-retour et le réinstallez dans le réservoir en tournant dans le sens des aiguilles d'une montre. Assurez-vous que c'est pareil orientation comme quand elle a été enlevée.
8. Remplacez le tube de résistance de fuite et serrez les écrous de compression.
9. Remplacez le renvoi des billes et serrez les écrous de compression.
10. Exécutez « cambriolage le procédé de pompe » dans les consignes d'utilisation de s'assurer là ne sont aucune fuite et cela fonctionne correctement.



### NETTOYAGE DU FILTRE À AIR

Un filtre à air sale réduira les performances et la durée de vie du compresseur. Pour éviter toute contamination interne de la pompe, le filtre doit être nettoyé fréquemment et remplacé régulièrement. Les filtres en feutre doivent être nettoyés dans de l'eau savonneuse tiède. Les filtres en papier doivent être remplacés quand ils sont sales. Il ne faut pas que les filtres soient remplis de saletés ou de peinture. Si le filtre se remplit de peinture, remplacez-le. Votre garantie sera annulée si l'appareil est directement exposé à des saletés et de la peinture.

### VÉRIFICATION DE LA SOUPAPE DE DÉCHARGE

Tirez chaque jour sur la soupape de décharge pour vous assurer qu'elle fonctionne correctement et éliminer toutes les obstructions éventuelles.

### ESSAI D'ÉTANCHÉITÉ

Assurez-vous que tous les raccords sont serrés. Le rendement de votre compresseur peut être réduit de manière significative en présence d'une petite fuite d'air dans les tuyaux flexibles, les tubes de transfert ou les raccords de tuyauterie. Si vous suspectez une fuite, vaporisez un peu d'eau savonneuse autour de la zone. Si des bulles apparaissent, réparez ou remplacez le composant défectueux. Ne serrez pas trop.

### ENTREPOSAGE

Avant d'entreposer le compresseur pour une période prolongée, utilisez une soufflette pour nettoyer toute la poussière et tous les débris du compresseur. Débranchez le cordon d'alimentation et enroulez-le. Tirez sur la soupape de décharge pour libérer toute la pression dans le réservoir. Évacuez toute l'humidité du réservoir. Nettoyez les éléments et le boîtier du filtre ; remplacez les éléments au besoin. Vidangez l'huile du carter de la pompe et remplacez-la par de l'huile neuve. Couvrez tout l'appareil pour le protéger de l'humidité et de la poussière.

## ENTRETIEN PÉRIODIQUE

Effectuez l'entretien suivant aux intervalles indiqués ci-dessous.	Quotidien ou après chaque utilisation	Toutes les 100 heures de fonctionnement
Inspectez et nettoyez le filtre à air	●	
Vérifiez le niveau d'huile de la pompe	●	
Changez l'huile de la pompe ( <i>Utilisez uniquement une huile synthétique pour air-compresseur non-détergente.</i> )		●
Faites fonctionner les-soupapes de décharge	●	
Vérifiez la tension de la courroie		●
Vidangez le réservoir	●	
Vérifiez et serrez tous les boulons ( <i>Ne les serrez pas trop</i> )		●

## DÉPANNAGE

Remarque : Les problèmes de dépannage peuvent avoir des causes et des solutions similaires.

PROBLÈME	CAUSE POSSIBLE	SOLUTION
<b>Le prélèvement excessif de courant cause le déclenchement du disjoncteur ou de l'interrupteur de remise en marche du moteur</b>	Tension insuffisante/surcharge du moteur	Vérifiez que l'alimentation est adéquate et que le compresseur est branché sur un circuit séparé. Vérifiez que le compresseur est branché sur son propre circuit. Si une rallonge est utilisée, essayez sans utiliser la rallonge. Si le compresseur est branché sur un circuit protégé par un fusible, utilisez des fusibles temporisés à double élément (Buss Fusetron de type «T» seulement).
	Courroie d'entraînement trop serrée	Réajustez la tension de la courroie.
	Passages d'air colmatés	Inspectez et remplacez les renvois des billes ou le clapet anti-retour, (voyez « pour remplacer ou nettoyer le clapet anti-retour » dans la section d'entretien).
<b>Le compresseur cale</b>	Tension insuffisante vers le moteur	Fournissez une puissance adéquate.
	Soupape d'arrêt défectueuse	Remplacez le clapet anti-retour (voyez « pour remplacer ou nettoyer le clapet anti-retour » dans la section d'entretien).
	Grippage de la pompe	Entrez en contact avec un Sears ou tout autre centre de service qualifié.
<b>Pression de décharge insuffisante</b>	Fuites d'air	Serrez ou remplacez les raccords ou les connexions qui ne sont pas étanches. Ne serrez pas trop.
	Fuites des soupapes	Entrez en contact avec un Sears ou tout autre centre de service qualifié.
	Admission d'air colmatée	Nettoyez ou remplacez le ou les élément(s) du filtre à air.
	Joints éclatés	Entrez en contact avec un Sears ou tout autre centre de service qualifié.
	Usure des segments de piston ou du cylindre	Entrez en contact avec un Sears ou tout autre centre de service qualifié.
<b>Cognement de la pompe</b>	Poulie du moteur ou volant-moteur desserré	Resserrez la poulie et le volant-moteur. Vérifiez l'alignement.
	Niveau d'huile trop bas dans le carter de la pompe	Maintenez le niveau d'huile jusqu'au repère maximum en permanence.
	Excès de calamine sur les soupapes ou sur le haut du piston	Entrez en contact avec un Sears ou tout autre centre de service qualifié.
<b>Huile dans l'air évacué</b>	Usure des segments de piston ou du cylindre	Entrez en contact avec un Sears ou tout autre centre de service qualifié.
	Admission d'air colmatée	Nettoyez ou remplacez le ou les élément(s) du filtre à air.
	Niveau d'huile trop élevé	Ramenez au niveau correct.
<b>Surchauffe</b>	Mauvaise aération	Placez le compresseur dans un endroit frais, sec et bien aéré, à une distance de 30 cm (12 po.) du mur le plus proche.
	Surfaces de refroidissement sales	Nettoyez entièrement toutes les surfaces de refroidissement.
	Passages d'air colmatés	Inspectez et remplacez les renvois des billes ou le clapet anti-retour, (voyez « pour remplacer ou nettoyer le clapet anti-retour » dans la section d'entretien).
<b>Usure excessive de la courroie</b>	Défaut d'alignement de la poulie	Réalignez la poulie sur le volant-moteur du compresseur.
	Tension de courroie incorrecte	Réajustez.
	Oscillation de la poulie	Remplacez la poulie et vérifiez que le vilebrequin ou le volant-moteur n'est pas endommagé.
<b>Le compresseur ne démarre pas quand i fait froid</b>	Trop de pression de refoulement dans le réservoir	Ouvrez le robinet de purge quand vous mettez en marche le moteur.
	Huile 40W dans le carter-moteur	Utilisez uniquement une huile synthétique pour air-compresseur non-détergente.
	Le compresseur est trop froid	Placez le compresseur dans un endroit plus chaud.
<b>L'air coulant par le robinet purgeur après compresseur a coupé</b>	Clapet anti-retour sale ou défectueux.	Remplacez le clapet anti-retour (voyez « pour remplacer ou nettoyer le clapet anti-retour » dans la section d'entretien).

# Get it fixed, at your home or ours!

## Your Home

For troubleshooting, product manuals and home solutions advice:



[www.managemylife.com](http://www.managemylife.com)

For repair – **in your home** – of **all** major brand appliances, lawn and garden equipment, or heating and cooling systems, **no matter who made it, no matter who sold it!**

For the replacement parts, accessories and owner's manuals that you need to do-it-yourself.

For Sears professional installation of home appliances and items like garage door openers and water heaters.

**1-800-4-MY-HOME<sup>®</sup>** (1-800-469-4663)

Call anytime, day or night (U.S.A. and Canada)

[www.sears.com](http://www.sears.com)      [www.sears.ca](http://www.sears.ca)

## Our Home

For repair of carry-in items like vacuums, lawn equipment, and electronics, call anytime for the location of your nearest

**Sears Parts & Repair Service Center**

**1-800-488-1222** (U.S.A.)

[www.sears.com](http://www.sears.com)

**1-800-469-4663** (Canada)

[www.sears.ca](http://www.sears.ca)

To purchase a protection agreement on a product serviced by Sears:

**1-800-827-6655** (U.S.A.)

**1-800-361-6665** (Canada)

Para pedir servicio de reparación a domicilio, y para ordenar piezas:

**1-888-SU-HOGAR<sup>®</sup>**

(1-888-784-6427)

[www.sears.com](http://www.sears.com)

Au Canada pour service en français:

**1-800-LE-FOYER<sup>MC</sup>**

(1-800-533-6937)

[www.sears.ca](http://www.sears.ca)

# Sears

© Registered Trademark / <sup>TM</sup> Trademark of KCD IP, LLC in the United States, or Sears Brands, LLC in other countries

® Marca Registrada / <sup>TM</sup> Marca de Fábrica de KCD IP, LLC en Estados Unidos, o Sears Brands, LLC in otros países

<sup>MC</sup> Marque de commerce / <sup>MD</sup> Marque déposée de Sears Brands, LLC



## Free Manuals Download Website

<http://myh66.com>

<http://usermanuals.us>

<http://www.somanuals.com>

<http://www.4manuals.cc>

<http://www.manual-lib.com>

<http://www.404manual.com>

<http://www.luxmanual.com>

<http://aubethermostatmanual.com>

Golf course search by state

<http://golfingnear.com>

Email search by domain

<http://emailbydomain.com>

Auto manuals search

<http://auto.somanuals.com>

TV manuals search

<http://tv.somanuals.com>