

Owner's Manual

**CRAFTSMAN®**

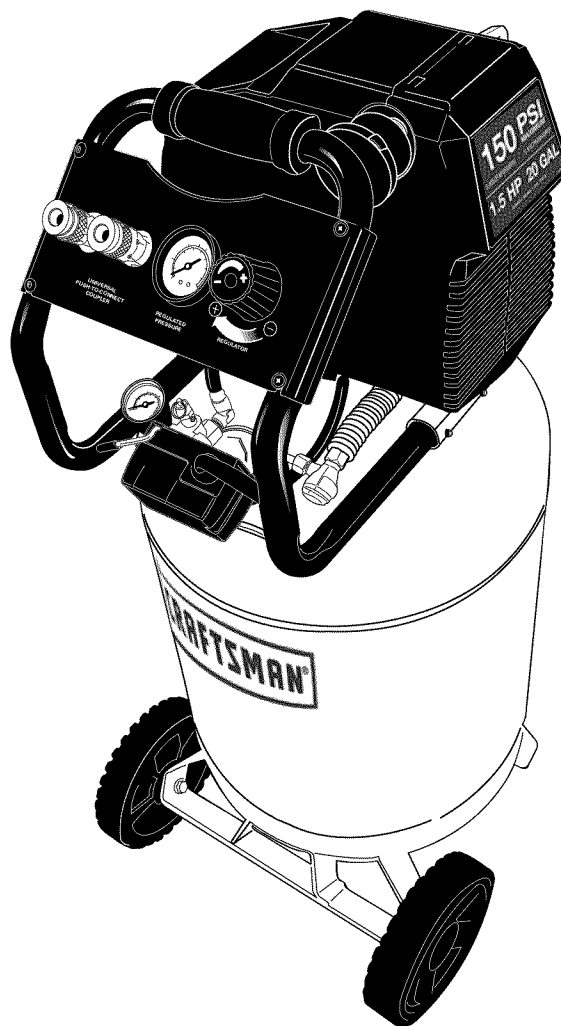
**AIR COMPRESSOR**

**20-gallon**

**1.5 HP**

**Oil-Free, Direct Drive**

**Model No. 921.166420**



**CAUTION:**

Before using this product, read this manual and follow all its Safety Rules and Operating Instructions.

- Safety Instructions
- Installation & Operation
- Maintenance & Storage
- Troubleshooting Guide
- Parts List
- Español, p. 11

**Sears, Roebuck and Co., Hoffman Estates, IL 60179 U.S.A.**  
[www.sears.com](http://www.sears.com)

11/14/2008  
Part No. E103645

# Table of Contents

	Page
Warranty . . . . .	See Below
Safety Symbols . . . . .	1
Important Safety Instructions & Guidelines . . . . .	1
Specifications . . . . .	2
Glossary . . . . .	2
Duty Cycle . . . . .	2
Parts & Features . . . . .	3
Installation & Assembly . . . . .	4
Operating Procedures . . . . .	5
Maintenance . . . . .	6
Storage . . . . .	6
Troubleshooting Guide . . . . .	7
Exploded View . . . . .	8
Parts List . . . . .	9
Español . . . . .	11

## **ONE YEAR FULL WARRANTY ON CRAFTSMAN AIR COMPRESSOR**

If this Craftsman Air Compressor fails due to manufacturer's defects in material or workmanship within one year of the date of purchase, RETURN IT TO THE NEAREST SEARS STORE OR SERVICE CENTER IN THE UNITED STATES and it will be replaced or repaired (at our option), free of charge.

If this Air Compressor is used for commercial or rental purposes, this warranty applies for only 90 days from the date of purchase. This warranty gives you specific legal rights and you may also have other rights which vary from state to state.

**Sears, Roebuck and Co., Hoffman Estates, IL 60179**

# Safety Symbols

The information listed below should be read and understood by the operator. This information is given to protect the user while operating and storing the air compressor. We utilize the symbols below to allow the reader to recognize important information about their safety.

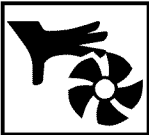


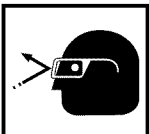
<b>⚠ DANGER</b>	<b>⚠ CAUTION</b>
Indicates an imminently hazardous situation which, if not avoided, will result in death or serious injury.	Indicates a potentially hazardous situation which, if not avoided, may result in minor or moderate injury.
<b>⚠ WARNING</b>	<b>CAUTION</b>
Indicates a potentially hazardous situation which, if not avoided, could result in death or serious injury	When used without the safety alert symbol indicates a potentially hazardous situation which, if not avoided, may result in property damage.





## Important Safety Instructions and Guidelines

- Save all instructions

### ⚠ WARNING

Improper operation or maintenance of this product could result in serious injury and/or property damage. Read and understand all of the warnings and safety instructions provided before using this equipment.

<b>CAUTION</b>	The air compressor should be operated on a dedicated 15 amp circuit. If the circuit does not have 15 free amps available, a larger circuit must be used. Always use more air hose before utilizing extension cords. All extension cords used must be 12 gauge with a maximum length of 25 ft. The circuit fuse type must be a time delay. Low voltage could cause damage to the motor.
<b>Risk of Moving Parts</b> 	If the air compressor is in operation, all guards and covers should be attached or installed correctly. If any guard or cover has been damaged, do not operate the equipment until the proper personnel has correctly repaired the equipment. The power cord should be free of any moving parts, twisting and/or crimping while in use and while in storage.
<b>Risk of Burns</b> 	There are surfaces on your air compressor that while in operation and thereafter can cause serious burns if touched. The equipment should be allowed time to cool before any maintenance is attempted. Items such as the compressor pump and the outlet tube are normally hot during and after operation.
<b>Risk of Falling</b> 	Operation of the air compressor should always be in a position that is stable. Never use the air compressor on a rooftop or elevated position that could allow the unit to fall or be tipped over. Use additional air hose for elevated jobs.
<b>Risk from Flying Objects</b> 	Always wear ANSI Z87.1 approved safety glasses with side shields when the air compressor is in use. Turn off the air compressor and drain the air tank before performing any type of maintenance or disassembly of the hoses or fittings. Never point any nozzle or sprayer toward any part of the body or at other people or animals.

<p><b>Risk of Breathing</b></p> 	<p>Avoid using the air compressor in confined areas. Always have adequate space (12 inches) on all sides of the air compressor. Also keep children, pets, and others out of the area of operation. This air compressor does not provide breathable air for anyone or any auxiliary breathing device. Spraying material will always need to be in another area away from the air compressor to not allow intake air to damage the air compressor filter.</p>
<p><b>Risk of Electrical Shock</b></p> 	<p>Never utilize the air compressor in the rain or wet conditions. Any electrical issues or repairs should be performed by authorized personnel such as an electrician and should comply with all national and local electrical codes. The air compressor should also have the proper three prong grounding plug, correct voltage, and adequate fuse protection.</p>
<p><b>Risk of Explosion or Fire</b></p> 	<p>Never operate the compressor near combustible materials, gasoline or solvent vapors. If spraying flammable materials, locate the air compressor at least 20 feet away from the spray area. Never operate the air compressor indoors or in a confined area.</p>
<p><b>Risk of Bursting</b></p> 	<p>Always drain the air compressor tank daily or after each use. If the tank develops a leak, then replace the air compressor. Never use the air compressor after a leak has been found or try to make any modifications to the tank. Never modify the air compressor's factory settings which control the tank pressure or any other function.</p>

## Specifications

Pump ..... Oil-Free Direct Drive  
 Motor ..... 1.5 HP  
 Bore ..... 2.28"  
 Stroke ..... 0.87"  
 Voltage Single Phase ..... 120 VAC

Minimum Circuit Requirement ..... 15.0 Amps  
 Air Tank Capacity ..... 20 Gallons  
 Cut-in Pressure ..... 120 PSI  
 Cut-out Pressure ..... 150 PSI  
 SCFM @ 90 PSI ..... 3.8  
 SCFM @ 40 PSI ..... 5.1

## Glossary

**CFM:** Cubic feet per minute.

**SCFM:** Standard cubic feet per minute; a unit of measure for air delivery.

**PSIG:** Pounds per square inch gauge; a unit of measure for pressure.

**ASME:** American Society of Mechanical Engineers.

**California Code:** Unit may comply with California Code 462 (I) (2)/ (M) (2).

**Cut-In Pressure:** The air compressor will automatically start to refill the tank when the pressure drops below the prescribed minimum.

**Cut-Out Pressure:** The point at which the motor stops when the tank has reached maximum air pressure.

**Code Certification:** Products that bear one or more of the following marks: UL, ULc, ETL, CSA, have been evaluated by OSHA-certified independent safety laboratories and meet the applicable Underwriters Laboratories Standards for Safety.

## Duty Cycle

This is a 50% duty cycle air compressor. Do not run the air compressor more than 30 minutes of one hour. Doing so could damage the air compressor.

# Parts & Features

See figures below for reference

## Regulator

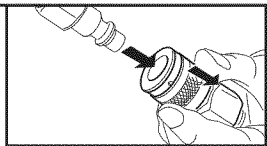
The air pressure coming from the air tank is controlled by the regulator. To increase the pressure turn the knob clockwise and to decrease the pressure turn the knob counterclockwise.

## Regulator Gauge

Indicates the outgoing air pressure to the tool and is controlled by the regulator.

## Quick Connect

Offers a quick release feature for attaching and removing the air hose.



## Tank Pressure Gauge

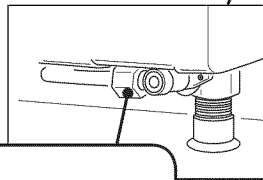
Indicates the reserve air pressure in the tank.

## Pressure Switch

This controls the power to the motor and also the cut-in/cut-out pressure settings. This switch serves as the Auto-On/Off positions for the unit.

## Tank Safety Valve

Used to allow excess tank pressure to escape into the atmosphere. This valve should only open when the tank pressure is above the maximum rated pressure.

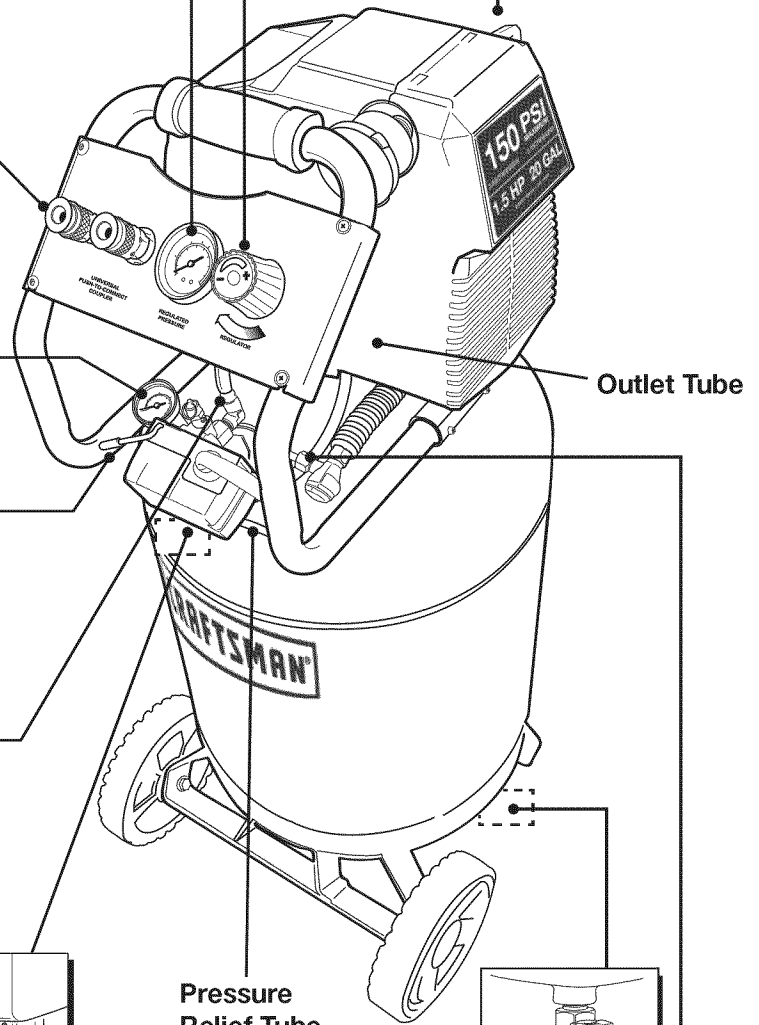


## Pressure Relief Valve

The pressure relief valve located on the side of the pressure switch, is designed to automatically release compressed air when the air compressor reaches cut-out pressure. The released air should only escape momentarily and the valve should then close.

## Air Intake Filter

Provides clean air to the pump and must always be kept free of debris. Check on a daily basis or before each use.



## Tank Drain Valve

Used to drain condensation from the air tank. Located at bottom of tank.

## Check Valve

When the pump is not in operation the valve closes to retain air pressure inside the tank. An internal component.

# Installation & Assembly

## **⚠ WARNING**

The air compressor should be turned off, unplugged from the power source, the air bled from the tank and the unit allowed time to cool before any maintenance is performed. Personal injuries could occur from moving parts, electrical sources, compressed air or hot surfaces. The quick connect assembly must be attached before use. Failure to assemble correctly could result in leaks and possible injury. If unsure of assembly instructions or you experience difficulty in the assembly please call your local service department for further information.

### **Getting Started - Location of the Air Compressor**

The air compressor should always be located in a clean, dry and well ventilated environment. The unit should have at minimum, 12 inches of space on each side. The air filter intake should be free of any debris or obstructions. Check the air filter on a daily basis to make sure it is clean and in working order.

## **⚠ WARNING**

### **Risk Of Fire Or Explosion**

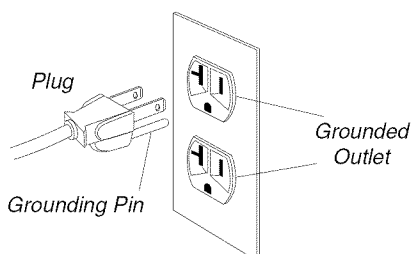
This product incorporates snap action switch contacts and a universal electric motor which tend to produce arcs and sparking and therefore should not be exposed to flammable liquids or vapors. This product is not intended for installation or use in a commercial garage or shop environment.

## **⚠ WARNING**

### **Grounding Instructions**

This product should be grounded. In the event of an electrical short circuit, grounding reduces the risk of electric shock by providing an escape wire for the electric current.

This product is equipped with a cord having a grounding wire with an appropriate grounding plug. (See the figure below.) The plug must be plugged into an outlet that is properly installed and grounded in accordance with all local codes and ordinances. Check with a qualified electrician or service personnel if these instructions are not completely understood or if in doubt as to whether the tool is properly grounded.



Improper installation of the grounding plug will result in a risk of electric shock. If repair or replacement of the cord or plug is necessary, do not connect the grounding wire to either flat blade terminal. The wire with insulation having an outer surface that is green with or without yellow stripes is the grounding wire. Check with a qualified electrician or serviceman if the grounding instructions are not completely understood, or if in doubt as to whether the product is properly grounded. Do not modify the plug provided. If it will not fit the outlet, have the proper outlet installed by a qualified electrician.

This product is for use on a circuit having a nominal rating of 120 volts and is factory-equipped with a specific electric cord and plug to permit connection to a proper electric circuit. Make sure the product is connected to an outlet having the same configuration as the plug. An adapter should not be used with this product. If the product must be reconnected for use on a different type of electric circuit, qualified service personnel should make the reconnection.

### **Extension Cords**

Use only a 3-wire extension cord that has a 3-blade grounding plug and a 3-slot receptacle that will accept the plug on the product. Make sure your extension cord is in good condition. When using an extension cord, be sure to use one heavy enough to carry the current your product will draw. Cords must not exceed 25 feet and No. 12 AWG size must be used. An undersized cord will cause a drop in line voltage resulting in loss of power and overheating.

### **Break In Procedures**

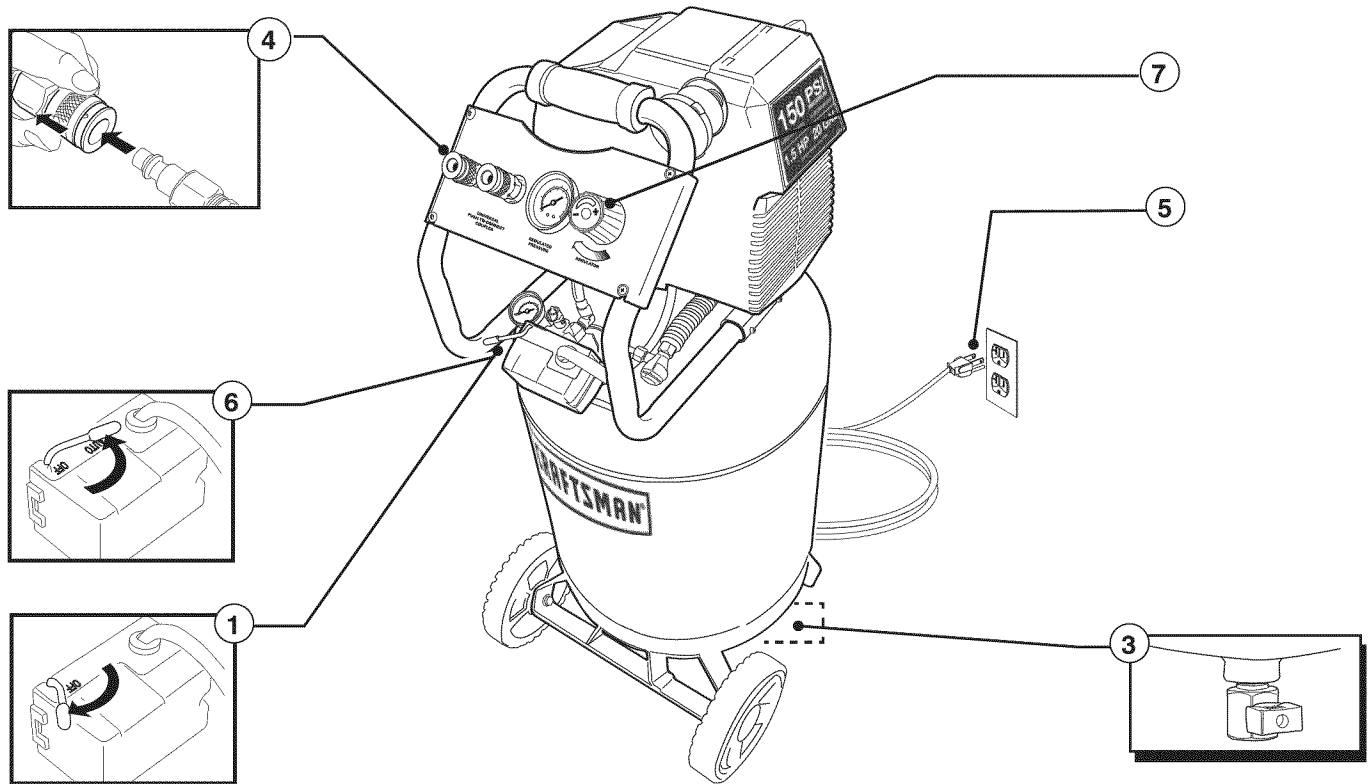
No break in procedure is required by the user.

This product is factory tested to ensure proper operation and performance.

# Operating Procedures

## Daily Start-Up Procedures

1. Set the Auto-On/Off switch to the Off position.
2. Inspect the air compressor, air hose, and any accessories/tools being used for damage or obstruction. If any of these mentioned items are in need of repair/replacement, contact your local authorized dealer before use.
3. Close the drain valve.
4. Connect the air hose to the quick connect socket on the regulator assembly by inserting the quick connect plug on the air hose into the quick connect socket. The quick connect socket collar will snap forward and lock the plug into place providing an air tight seal between the socket and plug. To release the air hose push the collar back on the quick connect socket.
5. Plug the power cord into the proper receptacle.
6. Turn the Auto-On/Off switch to the On-Auto position and the compressor will start and build air pressure in the tank to cut-out pressure and then shut off automatically.
7. Adjust the regulator to a PSI setting that is needed for your application and be sure it is within the safety standards required to perform the task. If using a pneumatic tool, the manufacturer should have recommendations in the manual for that particular tool on operating PSI settings.
8. The air compressor is now ready for use. The following inflation and cleaning accessories packaged with this unit should only be operated at maximum pressure of 90PSI: Blow gun, adapter and inflation needle.



## Daily Shut-Down Procedures

1. Set the Auto-On/Off switch to the Off position.
2. Unplug the power cord from the receptacle.
3. Set the outlet pressure to zero on the regulator.
4. Remove any air tools or accessories.
5. Open the drain valve allowing air to bleed from the tank. After all of the air has bled from the tank, close the drain valve to prevent debris buildup in the valve.

### ⚠ CAUTION

When draining the tank, always use ear and eye protection. Drain the tank in a suitable location; condensation will be present in most cases of draining.

### ⚠ WARNING

Water that remains in the tank during storage will corrode and weaken the air tank which could cause the tank to rupture. To avoid serious injury, be sure to drain the tank after each use or daily.

# Maintenance

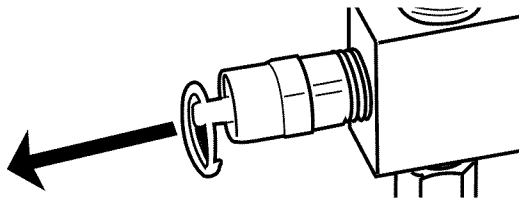
**NOTE:** Any service procedure not covered in the maintenance schedule should be performed by qualified service personnel.

## **⚠ WARNING**

The air compressor should be turned off, unplugged from the power source, air bled from the tank and allowed time to cool before any maintenance is performed.

## **⚠ WARNING**

Do not attempt to remove or adjust the safety valve.



Check the safety valve by performing these three steps:

1. Plug the compressor in and run until shut-off pressure is reached.
2. Wearing safety glasses, pull out on the safety valve ring to release pressure from the tank.
3. The safety valve should close automatically at approximately at 40-50 PSI. If the safety valve does not allow air to be released when you pull out on the ring, or does not close automatically, it must be replaced.

## Maintenance Schedule

Items to Check/Change	Before each use or daily
Check Tank Safety Valve	X
Overall Unit Visual Check	X
Drain Tank	X
Check Power Cord for Damage	X

## **⚠ CAUTION**

To ensure efficient operation and longer life of the air compressor unit, a routine maintenance schedule should be followed. The following schedule is geared toward a consumer whose compressor is used in a normal working environment on a daily basis.

## **⚠ CAUTION**

This compressor is equipped with an automatic reset thermal overload protector which will shut off motor if it becomes overheated. If the thermal overload protector is actuated, the motor must be allowed to cool down before start-up is possible.

**NOTE:** The motor will automatically restart without warning if the unit is left plugged in to an outlet with the Auto-On/Off switch in the on position

# Storage

For storing the air compressor, be sure to do the following:

1. Turn the unit off and unplug the power cord from the receptacle.
2. Remove all air hoses, accessories, and air tools from the air compressor.
3. Perform the daily maintenance schedule.
4. Open the drain valve to bleed all air from the tank.
5. Close the drain valve.
6. Store the air compressor in a clean and dry location.



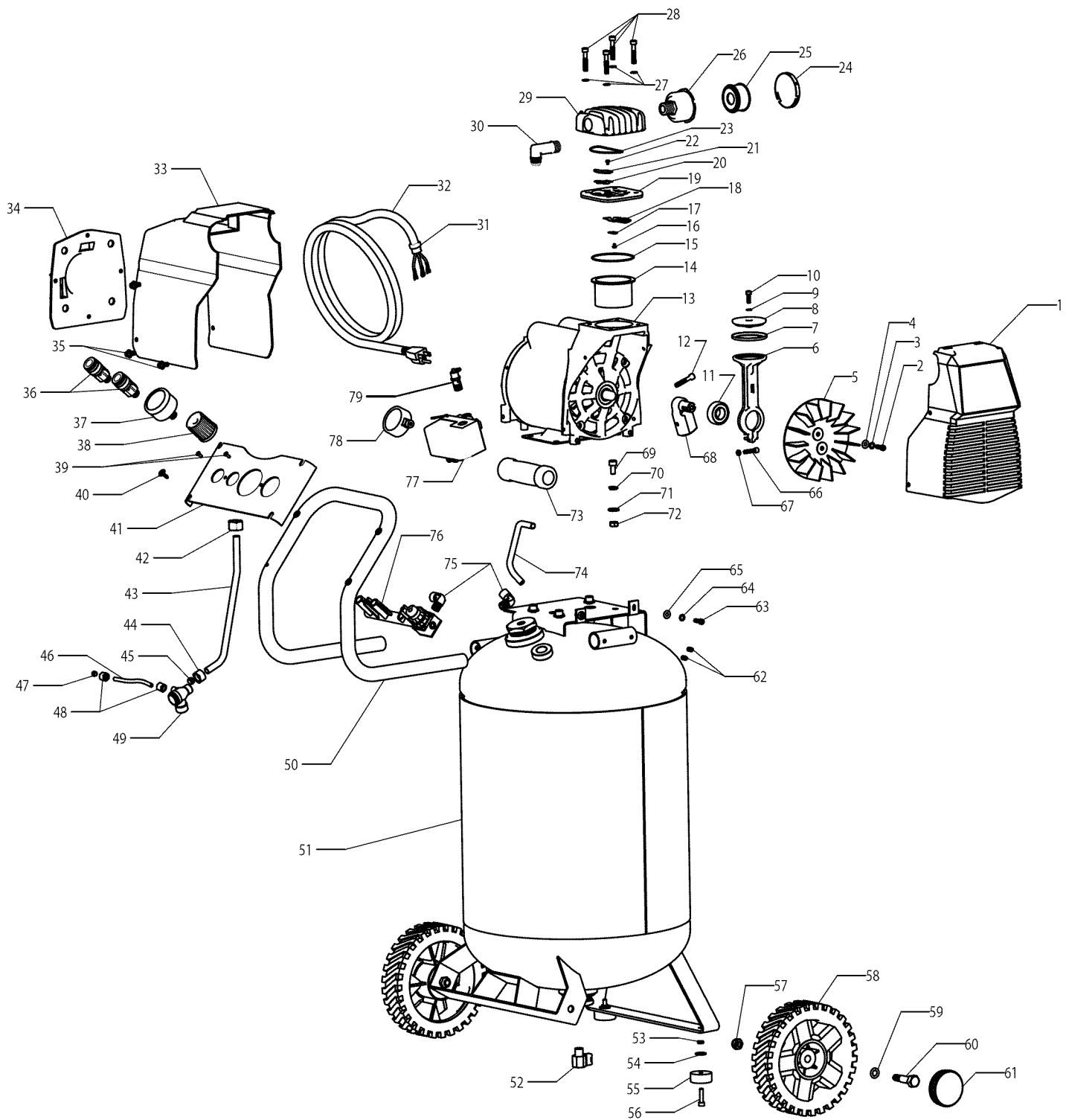
# Troubleshooting Guide

**⚠ WARNING** The air compressor should be turned off and unplugged from the power source before any maintenance is performed as well as the air bled from the tank and the unit allowed time to cool. Personal injuries could occur from moving parts, electrical sources, compressed air, or hot surfaces.

PROBLEM	POSSIBLE CORRECTION
Air leaks at the check valve or at the pressure relief valve.	A defective check valve results in a constant air leak at the pressure relief valve when there is pressure in the tank and the compressor is shut off. Drain the tank, then remove and clean or replace the check valve.
Air leaks between head and cylinder.	Be sure of proper torque on head bolts. If leak remains, contact a service technician.
Air leak from safety valve.	Operate the safety valve manually by pulling on the ring. If the valve continues to leak when in the closed position, it should be replaced.
Pressure reading on the regulated pressure gauge drops when an accessory is used.	If there is an excessive amount of pressure drop when the accessory is used, replace the regulator.  <b>NOTE</b> Adjust the regulated pressure under flow conditions (while accessory is being used). It is normal for the gauge to show minimal pressure loss during initial use of the tool.
Excessive tank pressure.	Move the Auto-On/Off switch to the Off position. If the unit doesn't shut off, unplug it from the power source and contact a service technician.
Motor will not start.	Make sure power cord is plugged in and the switch is on. Inspect for the proper size fuse in your circuit box. If the fuse was tripped, reset it and restart the unit. If repeated tripping occurs, replace the check valve or contact a service technician.
Thermal overload protector cuts out repeatedly.	1. Lack of ventilation, room temperature too high. Move to cooler environment. 2. Excessive air usage, compressor too small for this application. Lower rate of consumption.
Excessive moisture in the discharge air.	Remove the water in the tank by draining after each use. High humidity environments will cause excessive condensation. Utilize water filters on your air line.  <b>NOTE</b> Water condensation is not caused by compressor malfunction. Be sure the compressor's air output is greater than your tool's air consumption rate.
Air leaks from the tank body or tank welds.	Never drill into, weld or otherwise modify the air tank or it will weaken. The tank can rupture or explode. Compressor cannot be repaired. Discontinue use of the air compressor.

# Air Compressor Model 921.166420

## Exploded View



# Air Compressor Model 921.166420

## Parts List

Ref. No.	Kit No.	Part Number	Description	Quantity	Ref. No.	Kit No.	Part Number	Description	Quantity
1		E100296	Shroud, F2, Full, Front	1	46		E103622	Tube, Relief, Aluminum	1
2			Screw, M5 x 0.8 x 15mm, Left Hand		47			Ferrule, 1/4	2
			Threads	1	48			Nut, Compression, 1/4	2
3			Washer, Lock, M5	1	49		E101362	Valve, Check, 90 degree, Left	1
4			Washer, Flat, M5	1	50		E103625	Handle	1
5		E100297	Fan, F2	1	51			Tank, ASME	1
6	1		Piston	1	52		E101717	Drain, 1/4 Turn	1
7	1		Ring, Piston	1	53			Nut, M6 x 1	2
8	1		Cap, Piston	1	54			Washer, Flat, M6	2
9	1		Washer, Flat, M5	1	55		E101037	Isolator, Sears	2
10	1		Screw, M5 x 0.8 x 16mm, SHCS	1	56			Screw, M6 x 1 x 20, SHCS	2
11			Bearing, C & U	1	57			Nut, Lock, M10 x 1.25	2
12			Screw, M6 x 1 x 35, SHCS	1	58	4		Wheel, Sears, 8 in	2
13			Motor, Oil Free, 1.5 hp	1	59			Washer, Flat, M10	2
14	1		Cylinder, Steel, Coated	1	60			Bolt, M10 x 1.25 x 35mm, HH	2
15	2		O-Ring, Cylinder	1	61	4		Hubcap, Sears, Black	2
16	2		Screw, M3 x 0.4 x 5mm, HFHS	1	62			Screw, Set, M6	4
17	2		Retainer, Inlet Valve	1	63			Screw, M6 x 1 x 16mm, SHCS	2
18	2		Valve, Intake	1	64			Washer, Lock, M6	2
19	2		Plate, Valve	1	65			Washer, Flat, M6	2
20	2		Valve, Outlet	1	66			Screw, M5 x 0.8 x 25mm, SHCS	1
21	2		Retainer, Outlet Valve	1	67			Nut, M5 x 0.8	1
22	2		Screw, M3 x 0.4 x 5mm, HFHS	1	68			Eccentric	1
23	2		O-Ring, Head	1	69			Screw, M8 x 1.25 x 16mm, SHCS	4
24	3		Air Filter, Cap	1	70			Washer, Lock, M8	4
25	3		Air Filter, Element	1	71			Washer, Flat, M8	4
26	3		Air Filter, Base	1	72			Nut, M8 x 1.25	4
27			Washer, Lock, M6	4	73		E102159	Grip, Foam Rubber	1
28			Screw, M6 x 1 x 35, SHCS	4	74		E103623	Hose, Manifold	1
29			Head, F2	1	75			Elbow, 90 degree, 1/4 in mnpt x 1/4 in fnpt	2
30			Elbow, 90 degree, 13mm flare x 13/16 npt	1	76		E101952	Manifold, Sears	1
31			Strain Relief	1	77		E102750	Switch, Pressure, 150 cut out	1
32			Power Cord	1	78		E102746	Gauge, 2", 150 psi Red Line, 250 psi, 3-o'clock inlet	1
33		E100300	Shroud, F2, Full, Rear	1	79		E102612	Valve, Safety, 165 psi	1
34		E101076	Cover, Motor	1					
35			Screw, M6 x 1 x 12, HFHS	6					
36		E100307	Coupler, Quick Connect	2					
37		E102758	Gauge, 2", 150 psi Red Line, 250 psi, Back Inlet	1					
38		E102196	Knob	1					
39			Screw, M4 x 0.8 x 10	2					
40			Screw, M4 x 10, SEMS	4					
41			Plate, Control Panel	1					
42			Nut, Compression, 11/16	1					
43		E103621	Tube, Outlet, Copper	1					
44			Nut, Compression, 3/8	1					
45			Ferrule, 3/8	1					

Note: Any part/kit number field without a number is not available. Descriptions are provided for reference only. The Kit # column represents that the part being offered is available in a kit. One of each part per kit will be offered.

Kit number and parts that are included are as follows:

Kit No.	Part No.	Description	Reference No.
1	E103495	Piston Kit	6-10, 14
2	E103497	Valve Plat Kit	15-23
3	E100794	Air Filter Kit	24-26
4	E102369	Wheel Kit (only one wheel)	58, 61



Manual de



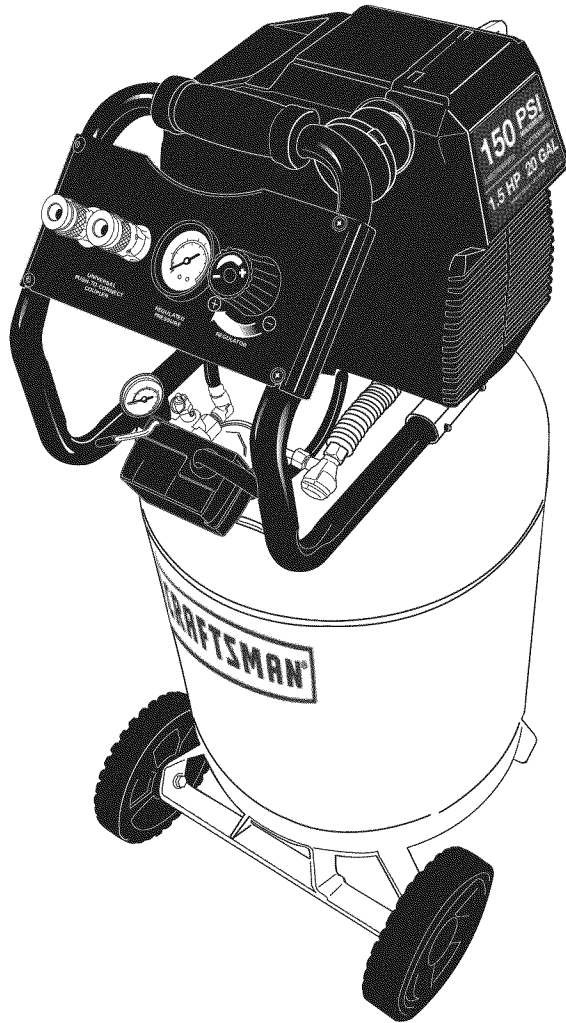
## AIR COMPRESSOR

75.7 litros

1.5 HP

De impulsión directa,  
Sin aceite

Model No. 921.166420



**PRECAUCIÓN:** Antes de usar el producto, lea este manual y siga sus reglas e instrucciones de seguridad.

- Instrucciones y pautas de seguridad importantes
- Instalación y operación
- Mantenimiento y Almacenamiento
- Diagnóstico y corrección de fallas
- Lista de las piezas

Sears, Roebuck and Co., Hoffman Estates, IL 60179 U.S.A.  
[www.sears.com](http://www.sears.com)

# Contenido

	Página esta página
Garantía	
Símbolos de seguridad . . . . .	13
Important Safety Instructions & Guidelines . . . . .	13
Especificaciones . . . . .	14
Glosario . . . . .	14
Ciclo de trabajo . . . . .	14
Partes y características . . . . .	15
Instalación y ensamblaje . . . . .	16
Procedimientos de operación . . . . .	17
Mantenimiento . . . . .	18
Almacenamiento . . . . .	18
Diagnóstico y corrección de fallas . . . . .	19
Vista esquemática . . . . .	20
Lista de las piezas . . . . .	21

## **GARANTÍA COMPLETA DURANTE UN AÑO DEL COMPRESOR DE AIRE CRAFTSMAN**

Si este compresor de aire Craftsman fallase debido a defectos en materiales y mano de obra dentro de un año a partir de la fecha de compra, DEVOLVERLO AL ESTABLECIMIENTO O CENTRO DE SERVICIO SEARS MÁS CERCANO EN LOS ESTADOS UNIDOS y éste será reemplazado o reparado (a nuestra opción), gratuitamente.

Si este compresor de aire se utiliza para fines comerciales o de alquiler, esta garantía es válida solo durante 90 días a partir de la fecha de compra. Esta garantía brinda al comprador original del producto derechos legales específicos; el comprador original también podría tener otros derechos, los cuales varían de un estado a otro.

**Sears, Roebuck and Co., Hoffman Estates, IL 60179**

# Símbolos comunes de seguridad

El operador debe leer y entender la información descrita a continuación. Esta información se ofrece para proteger al usuario al operar y almacenar el compresor de aire. Los símbolos siguientes son los que se utilizan para indicar al lector información que es importante para su seguridad.

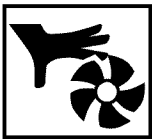


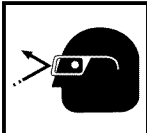
<p align="center"><b>⚠ PELIGRO</b></p> <p>Indica una situación de riesgo inminente que, al no protegerse, provocará lesiones graves o la muerte.</p>	<p align="center"><b>⚠ PRECAUCIÓN</b></p> <p>Indica una situación potencialmente peligrosa que, de no evitarse, podría provocar lesiones menores o moderadas.</p>
<p align="center"><b>⚠ ADVERTENCIA</b></p> <p>Indica una situación potencialmente peligrosa que, al no protegerse, podría provocar lesiones graves o la muerte.</p>	<p align="center"><b>PRECAUCIÓN</b></p> <p>Cuando no aparezca sin el símbolo de alerta de seguridad, esto quiere decir que hay una situación potencialmente peligrosa que, al no protegerse, podría causar daños materiales.</p>





## Instrucciones y pautas de seguridad importantes

- Guarde todas las instrucciones

### ⚠ ADVERTENCIA

La operación y el mantenimiento inadecuados de este producto pueden provocar lesiones graves y daños materiales. Antes de utilizar este equipo, lea y entienda las advertencias e instrucciones de seguridad aquí contenidas.

<p align="center"><b>PRECAUCIÓN</b></p>	<p>El compresor de aire se debe operar desde un circuito especial de 15 amperios. Si el circuito no dispone de una capacidad de 15 amperios, se debe usar un circuito de mayor capacidad. Si es necesario, antes de emplear una extensión eléctrica, añada una manguera de aire más larga. Las extensiones eléctricas deben ser de calibre 12 y tener una longitud máxima de 7,6 metros. El fusible del circuito debe ser de acción retardada. Un voltaje demasiado bajo puede dañar el motor.</p>
<p><b>Riesgo por partes en movimiento</b></p> 	<p>Al operar el compresor, todos los protectores y cubiertas deben estar fijados e instalados correctamente. Si alguno de los protectores o cubiertas está dañado, no opere el equipo hasta que personal calificado repare el problema. El cable de corriente debe mantenerse alejado de las partes móviles del equipo y no debe torcerse ni prensarse durante su empleo, ni al almacenarse.</p>
<p><b>Riesgo de quemaduras</b></p> 	<p>En su compresor hay superficies que, al ser tocadas durante y después de su operación, pueden causar quemaduras graves. Antes de darle mantenimiento al equipo, se debe dejar enfriar. Por lo normal, durante y después de su operación, ciertas partes como la bomba del compresor y el tubo de salida estarán calientes.</p>
<p><b>Riesgo de caída</b></p> 	<p>El compresor siempre debe ser operado en una posición estable. Nunca utilice el compresor sobre un techo o en una posición elevada ya que podría caer o volcarse. Al trabajar en posiciones elevadas, utilice una manguera de aire más larga.</p>
<p><b>Riesgo de lanzamiento de objetos</b></p> 	<p>Al emplear el compresor, siempre utilice anteojos de seguridad con protectores laterales que cumplan con la norma ANSI Z87.1. Antes de llevar a cabo cualquier clase de mantenimiento y antes de desconectar las mangueras y los acopladores, apague el compresor y drene el tanque de aire. Nunca apunte la boquilla o el rociador hacia ninguna parte de su cuerpo, ni él de otros seres.</p>

<p><b>Riesgo para la respiración</b></p> 	<p>Evite utilizar el compresor de aire en áreas encerradas. Siempre tenga un espacio libre adecuado (30 cm.) en todos los lados del compresor. También mantenga fuera del área de operación a las mascotas, niños y otras personas. Este compresor de aire no provee aire que pueda ser respirado ni empleado con un dispositivo respiratorio auxiliar. El material de rociado siempre deberá estar en otra zona, alejado del compresor de aire, para evitar que el aire aspirado dañe al filtro del compresor.</p>
<p><b>Riesgo de descargas eléctricas</b></p> 	<p>Nunca utilice el compresor de aire bajo lluvia o en lugares mojados. Los problemas eléctricos deben ser reparados por personal autorizado, tal como sería un electricista, y deben cumplir con las normas eléctricas nacionales y locales. El compresor también debe tener la clavija apropiada de tres terminales para hacer tierra y contar con un suministro eléctrico que sea del voltaje correcto y con un fusible de protección adecuado.</p>
<p><b>Riesgo de explosión y fuego</b></p> 	<p>Nunca opere el compresor cerca de materiales combustibles, gasolina ni vapores de solventes. Si está rociando materiales inflamables, coloque el compresor a una distancia de cuando menos 6 metros del área de rociado. Nunca opere el compresor de aire en interiores o en lugares cerrados.</p>
<p><b>Riesgo de estallido</b></p> 	<p>Drene el compresor diariamente o después de cada utilización. Si el tanque tiene una fuga, reemplace el compresor. Nunca utilice el compresor si se ha detectado una fuga, ni trate de modificar el tanque. Nunca modifique los ajustes de fábrica del compresor que controlan la presión del tanque y demás funciones.</p>

## Especificaciones

Bomba ..... Sin aceite, De impulsión directa  
 Motor ..... **1.5 HP (Universal)**  
 Diámetro ..... 58 mm  
 Carrera ..... 22 mm  
 Voltaje monofásico ..... 120 VAC  
 Capacidad mínima del circuito ..... 15.0 A

Capacidad del tanque de aire ..... 75.7 litros  
 Presión de arranque ..... 827.4 KPa / 120 PSI  
 Presión de parada ..... 1034.2 KPa / 150 PSI  
 Pies cúbicos por minuto (SCFM) a 90 LPPC ..... 3.8  
 Pies cúbicos por minuto (SCFM) a 40 LPPC ..... 5.1

## Glosario

**CFM:** Pies cúbicos por minuto.

**SCFM:** Pies cúbicos estándar por minuto; unidad de medición de suministro del aire.

**PSIG:** Libras por pulgada cuadrada sobre la presión atmosférica; unidad de medición de presión.

**ASME:** Sociedad estadounidense de ingenieros mecánicos.

**Código de California:** La unidad puede cumplir con el código de California 462 (I) (2)/ (M) (2).

**Presión de arranque:** El compresor arranca automáticamente cuando la presión baja a menos del mínimo prescrito.

**Presión de parada:** El motor se para cuando el tanque alcance la presión máxima de aire.

**Certificación de código:** Los productos que tienen alguna o varias de las siguientes marcas han sido evaluados por laboratorios de seguridad independientes certificados por OSHA, y cumplen con las normas de seguridad de Underwriters Laboratories: UL, , ETL, CSA.

## Ciclo de trabajo

Este compresor tiene un ciclo de trabajo de 50%. Nunca opere el compresor por más de 30 minutos cada hora. Ya que al hacerlo, podría dañarlo.



# Partes y características

Como referencia, vea las figuras abajo.

## Regulador

La presión del aire que sale del tanque es controlada por el regulador. Para aumentar la presión, gire la perilla en dirección de las manecillas; para disminuirla, gire la perilla en dirección contraria a las manecillas.

## Manómetro de presión de salida

Indica la presión de salida del aire que entra en la herramienta, la cual que es controlada por el regulador.

## Conector de acoplamiento rápido

Permite conectar y desconectar rápidamente la manguera del aire.

## Manómetro de presión del tanque

Indica la presión de la reserva de aire del tanque.

## Interruptor de presión

Controla el suministro eléctrico en el motor y también los ajustes de presión de arranque y presión de parada. Este interruptor sirve como posición de autoencendido y apagado (Auto-On/Off) de la unidad.

## Válvula de seguridad del tanque

Permite que el exceso de presión en el tanque escape hacia el medio ambiente. Esta válvula sólo se abrirá cuando la presión en el tanque esté por encima de la presión máxima nominal del modelo.

## Válvula de alivio de presión

Esta válvula, que se encuentra en el costado del interruptor de presión, está diseñada para liberar aire comprimido de manera automática cuando el compresor llegue a la presión de parada. El aire sólo deberá escapar durante un instante, cerrándose la válvula se cerrará en seguida.

## Filtro del aire

Suministra aire limpio a la bomba. Siempre debe conservarlo limpio. Revíselo diariamente o antes de cada uso.

Tubo de salida

Tubo de alivio de presión

## Válvula de drenaje

Sirve para drenar la condensación acumulada en el fondo del tanque. Se encuentra en la parte inferior del tanque.

## Válvula de retención

Cuando la bomba no está en operación, esta válvula se cierra para retener la presión de aire dentro del tanque. Es un componente interno.

# Instalación y ensamblaje

## ⚠ ADVERTENCIA

Antes de darle cualquier tipo de mantenimiento al compresor de aire, se debe apagar y desconectar de la fuente de alimentación eléctrica, además de purgar el aire del tanque y darle suficiente tiempo para enfriarse. Existe el riesgo de que las partes móviles, las fuentes eléctricas, el aire comprimido y las superficies calientes provoquen lesiones. El ensamblaje de conexión rápida debe estar instalado antes de usar el compresor. Un ensamblaje inadecuado puede ser causa de fugas y posiblemente de lesiones. En caso de dudas sobre las instrucciones de montaje o dificultad en el montaje, por favor llamar al departamento de servicio local para mayor información.

### Primer paso: Ubicación del compresor del aire

El compresor del aire siempre debe estar en un medio ambiente limpio, seco y bien ventilado. La unidad debe tener por lo menos 30 cm de espacio libre en cada lado. La toma del filtro del aire debe estar limpia y sin ningún tipo de obstrucción. Examinar el filtro de aire diariamente para verificar que esté limpio y en buenas condiciones de funcionamiento.

## ⚠ ADVERTENCIA

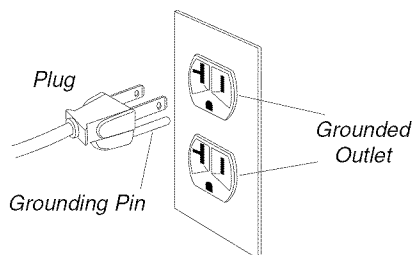
### Riesgo de incendio o explosión

Este producto incorpora un interruptor con contactos de transición brusca y un motor eléctrico universal que tienden a producir arcos y chisporroteo. Por lo tanto, no se lo debe exponer a líquidos o vapores inflamables. Este producto no está previsto para uso o instalación en un entorno de garaje o taller comercial.

## ⚠ ADVERTENCIA

### Instrucciones de conexión a tierra

Este producto se debe conectar a tierra. En el caso de que haya un cortocircuito, la conexión a tierra reduce el riesgo de descargas eléctricas al ofrecer una ruta de escape para la corriente eléctrica. Este producto cuenta con un cable que tiene un alambre de tierra y una clavija con terminal de tierra (ver la figura a continuación). La clavija debe enchufarse en un tomacorriente instalado y puesto a tierra según las normas locales. Hable con un electricista o agente de servicio calificado si no entiende completamente estas instrucciones, o si tiene dudas sobre la correcta puesta a tierra de la herramienta.



Una conexión a tierra inadecuada puede provocar una descarga eléctrica. Si necesita reparar o cambiar el cable o la clavija, no conecte el alambre de tierra con ninguna de las terminales planas. El alambre de tierra es de color verde, con o sin franjas amarillas. Si no entiende completamente las instrucciones de conexión a tierra, o si tiene dudas sobre la correcta puesta a tierra de la herramienta, hable con un electricista o agente de servicio calificado. No modifique la clavija que viene con el equipo; si no puede enchufarla en el tomacorriente, llame a un electricista calificado para que le instale el tomacorriente adecuado.

Este producto está diseñado para trabajar en un circuito con un voltaje nominal de 120 voltios y está equipado en la fábrica con un cable y clavija que permiten su conexión a un circuito eléctrico apropiado. Asegúrese de que el producto esté conectado a un tomacorriente con la misma configuración que la clavija. No se debe usar un adaptador con este equipo. Si debe conectar el equipo con un circuito eléctrico de diferente tipo, consiga la ayuda de personal calificado para realizar la reconexión.

### Cables de extensión

Sólo utilice un cable de extensión de tres alambres con una clavija con extensión a tierra de tres terminales que pueda enchufarse en un tomacorriente de tres orificios. Asegúrese de que su cable de extensión esté en buenas condiciones. Si utiliza un cable de extensión, compruebe que sea de la capacidad de la corriente que requiere su equipo. Las extensiones no deben ser de más de 25 pies (7,6 m) de largo y deben tener cable de calibre 12 AWG. Un cable más delgado provocará una caída en el voltaje de la línea, lo que provocaría una pérdida de potencia y sobrecalentamiento.

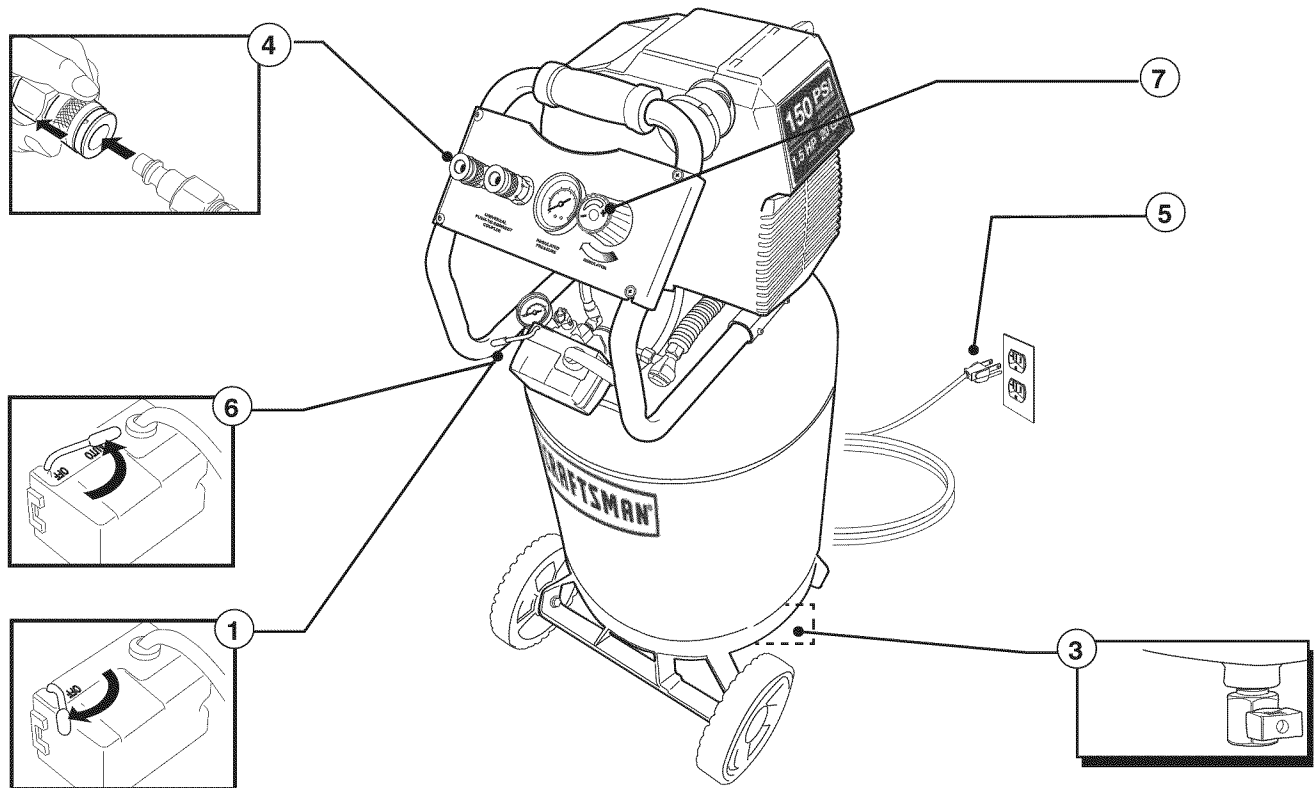
### Procedimiento inicial de preparación

No se requiere un procedimiento inicial de preparación. Este producto ha sido probado en la fábrica para asegurar su operación y rendimiento adecuados.

# Procedimientos de operación

## Procedimiento diario de arranque

1. Ponga el interruptor *Auto-On/Off* en la posición de apagado (*Off*).
2. Verifique que el compresor del aire, la manguera de aire y todos los accesorios/herramientas utilizados, no tengan daños ni obstrucción. En caso de dudas sobre las instrucciones de montaje o dificultad en el montaje, por favor llamar al departamento de servicio local para mayor información.
3. Cierre la válvula de drenaje.
4. Enchufe la manguera del aire dentro del conector de acoplamiento rápido de la unidad del regulador, insertando la clavija de conexión rápida en la manguera del aire, dentro del conector de acoplamiento rápido. El collarín del conector de acoplamiento rápido saltará hacia adelante, sujetando la clavija y hará una junta entre el conector y la clavija. Para desconectar la manguera del aire, empuje hacia atrás el collarín del conector de acoplamiento rápido.
5. Enchufe el cable de corriente en un tomacorriente apropiado.
6. Mueva el interruptor *Auto-On/Off* a la posición de encendido (*Auto-On*); el compresor deberá arrancar, acumulando la presión del aire en el tanque hasta llegar a la presión de apagado, momento en el cual se apagará de manera automática.
7. Ajustar el regulador a un valor de bar (psi) que sea necesario para el uso previsto y verificar que esté dentro de los estándares de seguridad requeridos para realizar la tarea. Si se utiliza una herramienta neumática, el fabricante debe haber incluido en el manual de dicha herramienta valores recomendados para la presión de servicio en bar (psi).
8. Ahora el compresor de aire está listo para uso. Los accesorios para inflado y limpieza que figuran a continuación, empacados con esta unidad, se deben utilizar a una presión que no rebase 6.2 bar (90 psi): Pistola sopladora, adaptador y aguja para inflado.



## Procedimiento diario de apagado

1. Colocar la palanca de encendido/apagado (*On/Off*) en la posición apagado (*Off*).
2. Desconecte el cable del tomacorriente.
3. Ponga en cero el regulador de presión de salida.
4. Quite todas las herramientas o accesorios de aire.
5. Abra la válvula de drenaje permitiendo que escape el aire del tanque. Cuando haya salido del tanque todo el aire, cierre la válvula de drenaje para evitar que entre suciedad.

## ⚠ PRECAUCIÓN

Al drenar el tanque utilice protección para oídos y ojos. Drene el tanque en un lugar apropiado; en la mayoría de las ocasiones al drenar saldrá condensación.

## ⚠ ADVERTENCIA

Si no drena el tanque al almacenarlo, en su interior quedará agua que lo corroerá y debilitará, lo cual puede provocar su ruptura. Para evitar lesiones graves, drene el tanque diariamente o después de cada uso.

# Mantenimiento

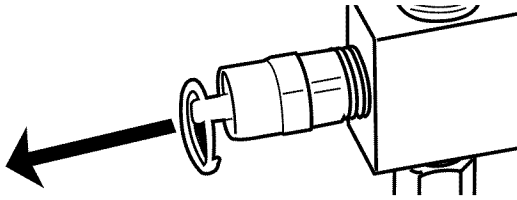
**NOTA:** Cualquier procedimiento de servicio que no esté cubierto en el programa de mantenimiento que sigue deberá ser efectuado el personal de servicio calificado.

## ⚠ ADVERTENCIA

Antes de dar mantenimiento al equipo, se debe apagar y desconectar del tomacorriente, así como purgar el aire del tanque y permitir que la unidad se enfríe.

## ⚠ ADVERTENCIA

no intentar retirar o ajustar la válvula de seguridad



Revisar la válvula de seguridad mediante la ejecución de los tres pasos siguientes:

1. Enchufar el compresor y hacerlo funcionar hasta que alcance la presión de desconexión.
2. Con gafas de seguridad puestas, tirar del aro de la válvula de seguridad para aliviar la presión del tanque. Usar la otra mano para desviar el aire o despojos expelidos a alta velocidad para protegerse la cara.
3. La válvula de seguridad debe cerrarse automáticamente a una presión aproximada de 2.8 a 3.4 bar (40 a 50 psi). Si la válvula de seguridad no permite la salida del aire al tirarse del aro, o no cierra automáticamente, es preciso reemplazarla.

## Programa para mantenimiento

Asuntos para verificar /cambiar	Antes de cada uso o diariamente
Revisar la válvula de seguridad del tanque	X
Revisar visualmente el aspecto general de la unidad	X
Drenar el tanque	X
Verificar que el cable eléctrico no esté dañado	X

## ⚠ PRECAUCIÓN

A fin de asegurar una operación eficiente y una larga vida del compresor, debe seguir un programa de mantenimiento de rutina. El siguiente programa de mantenimiento está enfocado al consumidor cuyo compresor es usado en un medio ambiente normal y diariamente.

## ⚠ PRECAUCIÓN

Este compresor es equipado con un automático repone protector térmico de sobrecarga que apagará el motor si llega a ser recalentado. Si el protector térmico de sobrecarga es accionado, el motor debe ser permitido enfriarse antes de puesta en marcha es posible.

La NOTA: El motor reiniciará automáticamente sin la advertencia si la unidad es dejada conectó a una salida con el interruptor de en/de prendido

# Almacenamiento

Para almacenar el compresor, asegúrese de hacer lo siguiente:

1. Apague la unidad y desconecte el cable eléctrico del tomacorriente.
2. Quite del compresor las mangueras, accesorios y herramientas de aire.
3. Lleve a cabo el programa de mantenimiento de rutina.
4. Abra la válvula de drenaje para drenar el aire del tanque.
5. Cierre la válvula de drenaje.
6. Guarde el compresor en un lugar limpio y seco.

# Diagnóstico y corrección de fallas

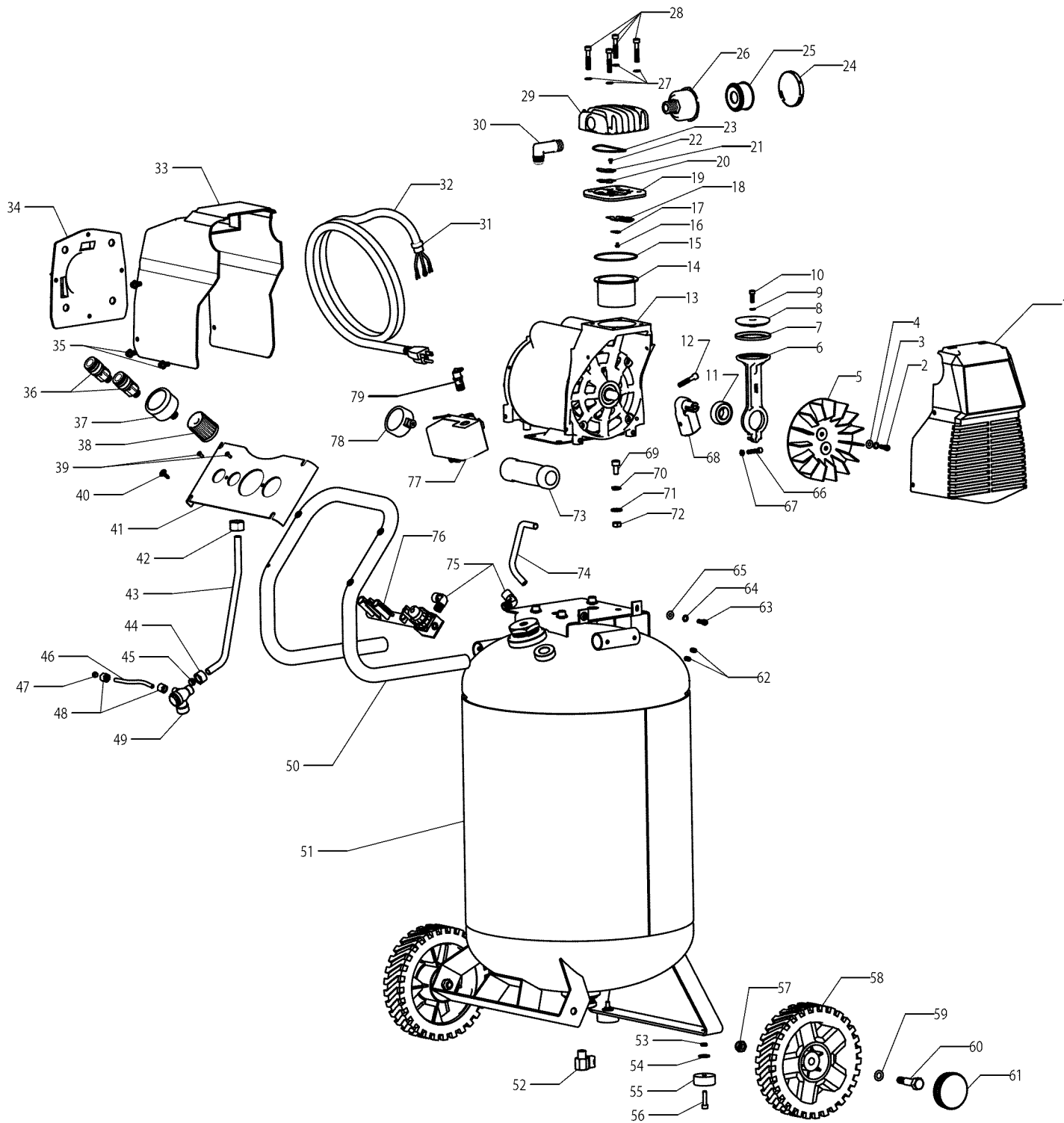
## **⚠ ADVERTENCIA**

Antes de dar mantenimiento al equipo, se debe apagar y desconectar del tomacorriente, así como purgar el aire del tanque y permitir que la unidad se enfríe. Las partes en movimiento, las fuentes eléctricas, el aire comprimido y las superficies calientes pueden provocar lesiones.

PROBLEMA	POSIBLE CORRECCIÓN
Fuga de aire en la válvula de retención o en la válvula de alivio.	Una válvula de retención defectuosa provoca una fuga de aire constante en la válvula de alivio cuando esté apagado y el compresor tenga presión de aire. Drene el tanque, quite y limpie o cambie la válvula de retención.
Fugas de aire entre la cabeza llame a un técnico de servicio.	Compruebe que los pernos de la cabeza tengan un par apropiado. Si continúa la fuga, el cilindro.
Fuga de aire en la válvula de seguridad.	Opere manualmente la válvula de seguridad jalando el anillo. Si el tanque continúa teniendo una fuga estando la válvula en posición cerrada, deberá cambiarla.
La presión indicada en el manómetro de presión regulada bajará cuando se utiliza un accesorio.	Si al utilizar un accesorio hay una disminución excesiva de presión, cambie el regulador.  <b>NOTE</b> Ajuste la presión regulada bajo condiciones de flujo (mientras se utiliza un accesorio). Es normal que el manómetro indique una disminución de presión mínima al comenzar a utilizar la herramienta.
Presión excesiva en el tanque.	Apague el interruptor de encendido (Off). Si la unidad no se apaga, desconéctela del tomacorriente y comuníquese con un técnico de servicio.
El motor no arranca.	Compruebe que el cable de corriente esté enchufado y que el interruptor esté encendido Compruebe que el fusible de la caja de circuitos sea de la capacidad adecuada. Si se ha disparado, restablézcalo y vuelva a arrancar la unidad. Si el fusible se dispara con frecuencia, reemplace la válvula de retención o llame a un técnico de servicio
El protector contra sobrecarga térmica se desconecta repetidamente.	1. Falta de ventilación, temperatura ambiente demasiado alta. Desplazarlo a un entorno más fresco. 2. Uso excesivo de aire; compresor demasiado pequeño para este uso. Reducir la tasa de consumo.
Humedad excesiva en el aire de salida.	Saque el agua del tanque drenándolo después de cada vez que se use. En los medios ambientes de alta humedad habrá un exceso de condensación; instale filtros de agua en su línea de aire.  <b>NOTE</b> La condensación no es provocada por una falla en el compresor. Compruebe que la salida de aire del compresor sea mayor que el consumo del aire de su herramienta.
Fugas de aire en el cuerpo o la soldadura del tanque.	Nunca taladre, suelde o modifique de ninguna manera el tanque, pues se debilitará. El tanque podría romperse o explotar. El tanque no puede ser reparado.

# Compresor de aire – Modelo 921.166420

## Vista esquemática



# Compresor de aire – Modelo 921.166420

## Lista de las piezas

# de referencia	# de kit	# de parte	descripción de parte	cant.	# de referencia	# de kit	# de parte	descripción de parte	cant.
1		E100296	Guardera delantera completa F2	1	48			Tuerca de compresión, ¼	2
2			Tornillo M5 x 0.8 x 15 mm, roscas a izquierdas	1	49		E101362	Válvula de retención, 90 grados, izquierda	1
3			Arandela de seguridad M5	1	50		E103625	Mango	1
4			Arandela plana M5	1	51			Tanque ASME	1
5		E100297	Ventilador F2	1	52		E101717	Drenaje, 1/4 de vuelta	1
6	1		Pistón	1	53			Tuerca M6 x 1	2
7	1		Anillo del pistón	1	54			Arandela plana M6	2
8	1		Tapa del pistón	1	55		E101037	Aislador Sears	2
9	1		Arandela plana M5	1	56			Tornillo M6 x 1 x 20, SHCS	2
10	1		Tornillo M5 x 0.8 x 16 mm, SHCS	1	57			Tuerca de fijación M10 x 1.25	2
11			Cojinete C y U	1	58	4		Rueda Sears de 8 pulgadas	2
12			Tornillo M6 x 1 x 35, SHCS	1	59			Arandela plana M10	2
13			Motor sin aceite, 1.5 hp	1	60			Perno M10 x 1.25 x 35 mm, HH	2
14	1		Cilindro de acero recubierto	1	61	4		Tapacubo Sears negro	2
15	2		Anillo tórico del cilindro	1	62			Tornillo de ajuste M6	4
16	2		Tornillo M3 x 0.4 x 5 mm, HFHS	1	63			Tornillo m6 x 1 x 16 mm, SHCS	2
17	2		Retenedor de la válvula de entrada	1	64			Arandela de seguridad M6	2
18	2		Válvula de entrada	1	65			Arandela plana M6	2
19	2		Placa de válvula	1	66			Tornillo M5 x 0.8 x 25 mm, SHCS	1
20	2		Válvula de salida	1	67			Tuerca M5 x 0.8	1
21	2		Retenedor de la válvula de salida	1	68			Excéntrica	1
22	2		Tornillo M3 x 0.4 x 5 mm, HFHS	1	69			Tornillo M8 x 1.25 x 16 mm, SHCS	4
23	2		Anillo tórico de la cabeza	1	70			Arandela de seguridad M8	4
24	3		Tapa del filtro de aire	1	71			Arandela plana M8	4
25	3		Elemento del filtro de aire	1	72			Tuerca M8 x 1.25	4
26	3		Base del filtro de aire	1	73		E102159	Empuñadura de gomaespuma	1
27			Arandela de seguridad M6	4	74		E103623	Manguera del múltiple	1
28			Tornillo M6 x 1 x 35, SHCS	4	75			Codo de 90 grados, 1/4 de pulgada mnpt x 1/4 de pulgada fnpt	2
29			Cabeza F2	1					
30			Codo de 90 grados, abocinado de 13 mm x 13/16 npt	1	76		E101952	Múltiple Sears	1
31			Protector contra jalones	1	77		E102750	Interruptor de presión, desconexión a 150	1
32			Cable de alimentación	1	78		E102746	Calibre de 2 pulgadas, línea roja a 150 psi, 250 psi, entrada a las 3 en punto	1
33		E100300	Guardera trasera completa F2	1					
34		E101076	Cubierta del motor	1					
35			Tornillo M6 x 1 x 12, HFHS	6	79		E102612	Válvula de seguridad, 165 psi	1
36		E100307	Acoplador de conexión rápida	2					
37		E102758	Manómetro de 2 pulgadas, línea roja a 150 psi, 250 psi, entrada trasera	1					
38		E102196	Pomo rojo	1					
39			Tornillo M4 x 0.8 x 10	2					
40			Tornillo M4 x 10, SEMS	4					
41			Placa del panel del manómetro	1					
42			Tuerca de compresión, 11/16	1					
43		E1036212	Tubo de salida de cobre	1					
44			Tuerca de compresión, 3/8	1					
45			Férula, 3/8	1					
46		E103622	Tubo de alivio de aluminio	1					
47			Férula, ¼	2					

Nota: Cualquier campo para los números/juegos de piezas que no tengan un número específico de pieza, indica que no está disponible. Las descripciones se proveen solamente como referencias. La columna con el número de juego indica que la pieza ofrecida está disponible como parte de un juego. Una de cada una de las piezas está ofrecida.

Los números de los juegos y las piezas que están incluidos se describen a continuación:

# de kit	# de parte	descripción de parte	# de referencia
1	E103495	Juego de pistón	6-10, 14
2	E103497	Juego de placa de válvula	15-23
3	E103794	Juego de filtro de aire	24-26
4	E102369	Juego de rueda (incluye sólo una rueda)	58, 61

# Get it fixed, at your home or ours!

## Your Home

**For repair – in your home – of all major brand appliances, lawn and garden equipment, or heating and cooling systems, no matter who made it, no matter who sold it!**

**For the replacement parts, accessories and owner's manuals that you need to do-it-yourself.**

**For Sears professional installation of home appliances and items like garage door openers and water heaters.**

**1-800-4-MY-HOME® (1-800-469-4663)**

**Call anytime, day or night (U.S.A. and Canada)**

[www.sears.com](http://www.sears.com)

[www.sears.ca](http://www.sears.ca)

---

## Our Home

**For repair of carry-in items like vacuums, lawn equipment, and electronics, call or go on-line for the location of your nearest Sears Parts & Repair Center.**

**1-800-488-1222**

**Call anytime, day or night (U.S.A. only)**

[www.sears.com](http://www.sears.com)

---

**To purchase a protection agreement (U.S.A.)  
or maintenance agreement (Canada) on a product serviced by Sears:**

**1-800-827-6655 (U.S.A.)**

**1-800-361-6665 (Canada)**

---

**Para pedir servicio de reparación  
a domicilio, y para ordenar piezas:**

**1-888-SU-HOGAR®  
(1-888-784-6427)**

**Au Canada pour service en français:**

**1-800-LE-FOYER<sup>MC</sup>  
(1-800-553-6937)**

[www.sears.ca](http://www.sears.ca)



© Registered Trademark/™ Trademark/SM Service Mark of Sears, Roebuck and Co.  
© Marca Registrada/™ Marca de Fábrica/SM Marca de Servicio de Sears, Roebuck and Co.  
MC Marque de commerce/MS Marque déposée de Sears, Roebuck and Co.

© Sears Brands, LLC



## Free Manuals Download Website

<http://myh66.com>

<http://usermanuals.us>

<http://www.somanuals.com>

<http://www.4manuals.cc>

<http://www.manual-lib.com>

<http://www.404manual.com>

<http://www.luxmanual.com>

<http://aubethermostatmanual.com>

Golf course search by state

<http://golfingnear.com>

Email search by domain

<http://emailbydomain.com>

Auto manuals search

<http://auto.somanuals.com>

TV manuals search

<http://tv.somanuals.com>