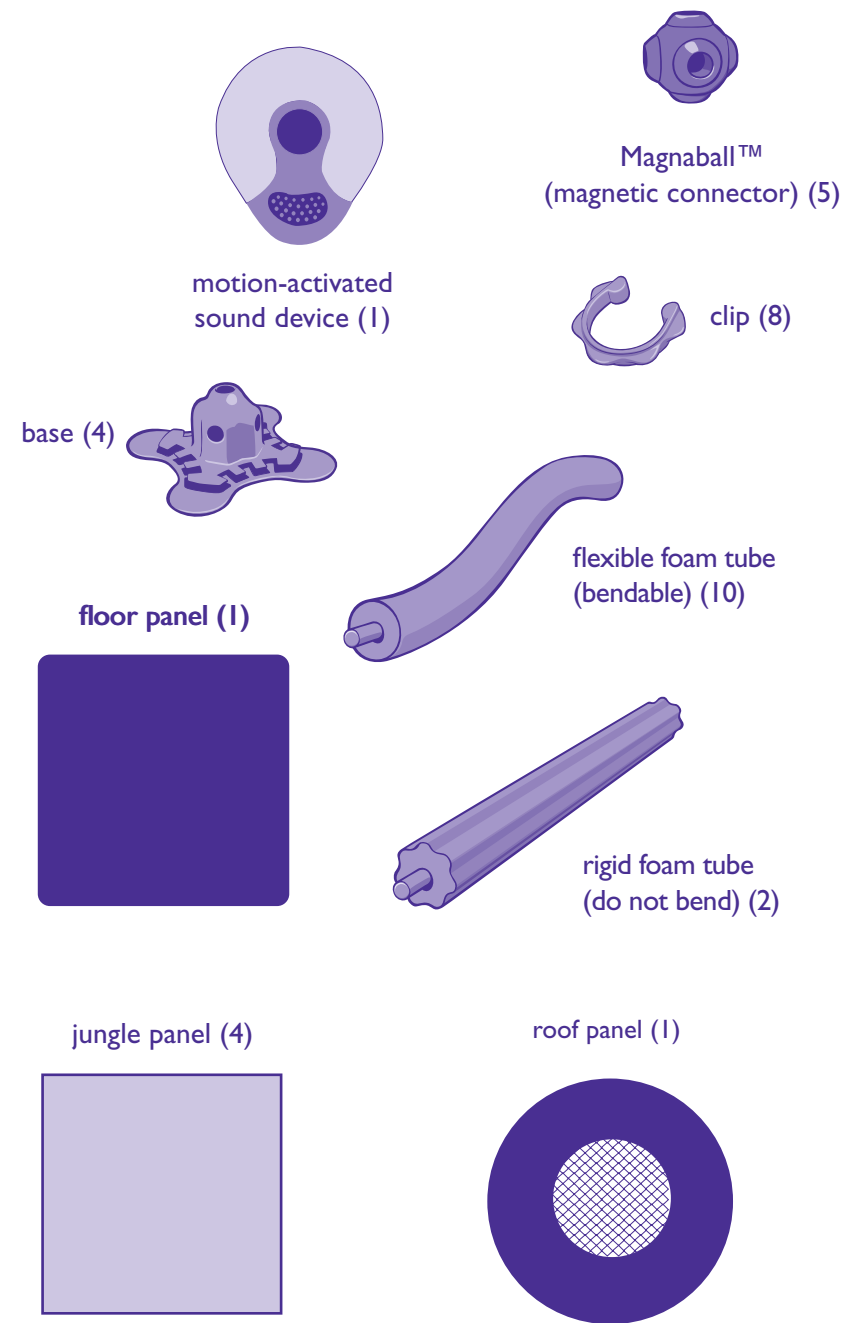


IN THE BOX



When you've finished, turn the switch on the sound device to **OFF** (O). If you forget, the device will turn itself off after a few minutes.

To fold the floor panel:

Hold the floor panel like a diamond. Pinch the opposite corners with your fingertips. Bring your hands together. The panel will collapse as you fold it.

TROUBLESHOOTING

Are you having trouble with your Jungle Adventure?

- If your motion-activated sound device won't make sounds, try installing three new AG13/LR44 button cell batteries.
- To save battery power, make sure you turn the switch on the sound device to OFF (O) when you've finished playing with it.

If you've tried these steps and are still having trouble ...

- In the U.S., go to cranium.com/support or call 1-877-CRANIUM
 - Outside the U.S., go to cranium.com/worldwidesupport
- We value your input and we'll do our best to help!

CHANGING THE BATTERIES

Need to change the batteries? Ask an adult to get three new AG13/LR44 button cell batteries and follow these instructions.

To replace sound device batteries:

Using a screwdriver, open the battery cover on the device. Insert new batteries. Replace the cover and tighten the screw.

BATTERY SAFETY

- Do not put the batteries in backwards. Positive (+) and negative (-) ends must be inserted in the correct directions following the polarity (+/-) diagram in the battery compartment.
- Do not mix alkaline, standard (carbon-zinc), or rechargeable (nickel-cadmium) batteries.
- Only batteries of the same or equivalent type as recommended are to be used.
- Do not mix old and new batteries.
- Rechargeable batteries must be removed before recharging.
- Rechargeable batteries must be recharged by an adult only.
- Batteries must be installed and removed by an adult only.
- Remove exhausted batteries and dispose of them properly.
- Do not try to recharge non-rechargeable batteries.
- The supply terminals are not to be short-circuited.



WARNING: TO AVOID BATTERY LEAKAGE

Please follow these battery usage instructions. Failure to follow these instructions can result in battery acid leakage that may cause burns, personal injury, and property damage.

KEEP ALL FLAME AND HEAT SOURCES AWAY FROM THIS FABRIC.

This material meets CFR 1610 specifications for flame resistance. It is not fireproof. This fabric will burn if left in continuous contact with any flame source. The application of any foreign substance to the fabric may render the flame-resistant properties ineffective.

NOT MACHINE WASHABLE.

Clean only with a warm, damp cloth.

Foam tubes are not to be used as flotation devices. Do not connect both ends of foam tube to same connector. Do not use foam tubes to hit or strike anyone or anything. This toy is not suitable for children under 3 years old.



WARNING:

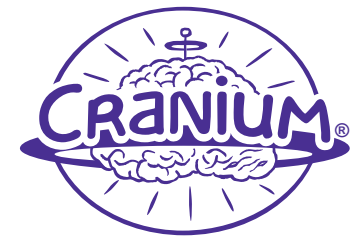
CHOKING HAZARD—Contains small parts.

Foam pieces may tear and cause a choking hazard.

Toy contains magnets. If magnets are swallowed, they can cause serious harm. Not for children under 3 years.

U.S. and foreign patents pending.

© 2007 CRANIUM, INC. ALL RIGHTS RESERVED. THE FOLLOWING ARE TRADEMARKS OR REGISTERED TRADEMARKS OF CRANIUM, INC. IN THE U.S. AND/OR OTHER JURISDICTIONS: CREATIVE CAT, DATA HEAD, EVERYONE SHINES, MAGNABALL, STAR PERFORMER, SUPER FORT, WORD WORM, THE CRANIUM LOGO, AND THE BRAIN LOGO. WE PACK EVERY CRANIUM TOY WITH A VARIETY OF OUTRAGEOUS ACTIVITIES. IT'S UP TO YOU TO USE CAUTION, PLAY IT SMART, AND HAVE FUN.



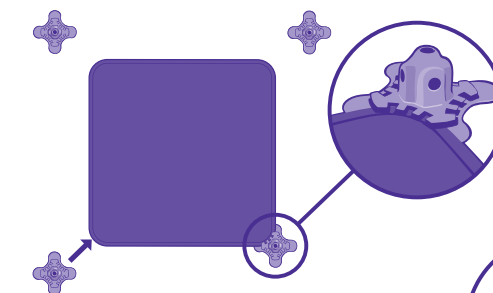
Welcome to Cranium

Jungle Adventure

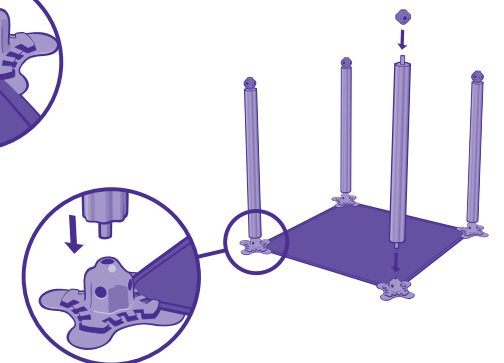
Create your own hideaway
with real jungle sounds!

GET STARTED!

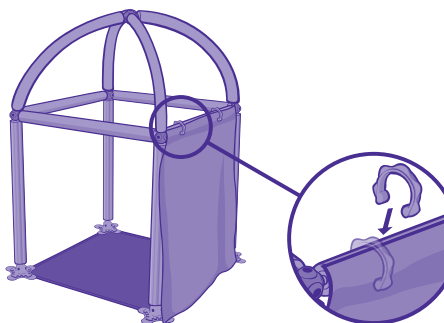
1. Attach the bases to the floor panel.



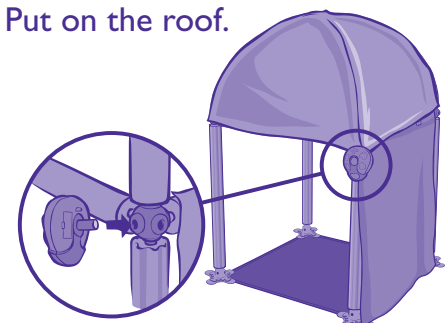
2. Insert the tubes into the bases.



3. Attach the jungle panels to the sides using clips.



4. Put on the roof.



5. Attach the sound device to a connector on your hut.

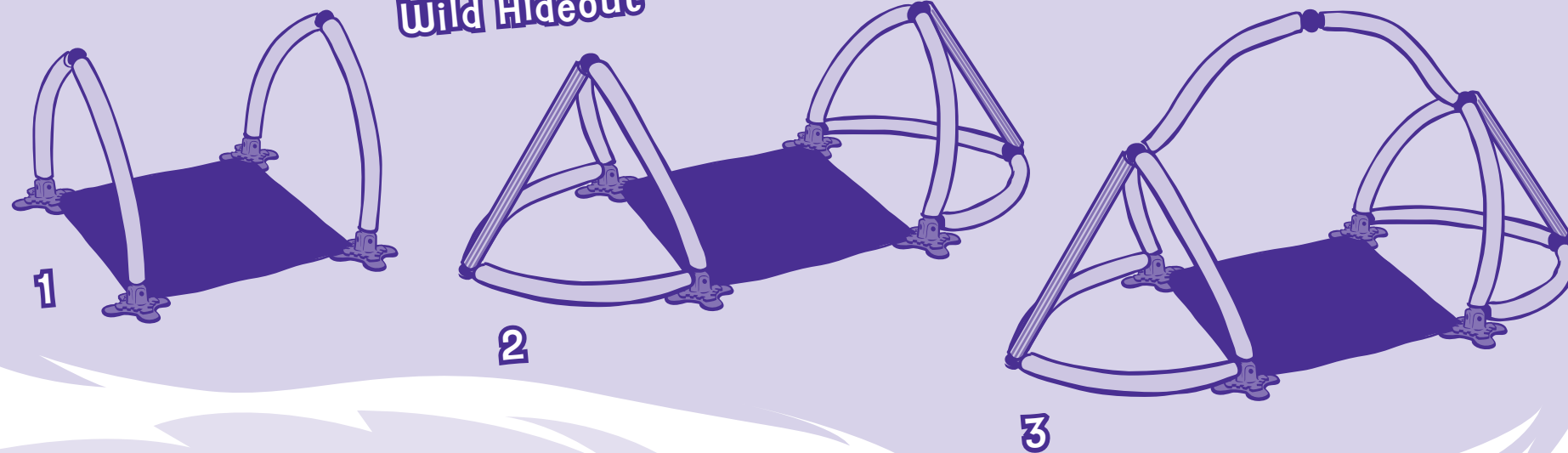
6. Slide the switch on the device to **ON** (I).

7. Push the button or shake your hut to hear the sounds.

8. Climb in and make someone giggle. Have fun!

For even more fun, visit cranium.com!

Wild Hideout



How to Build

Playtime Ideas:

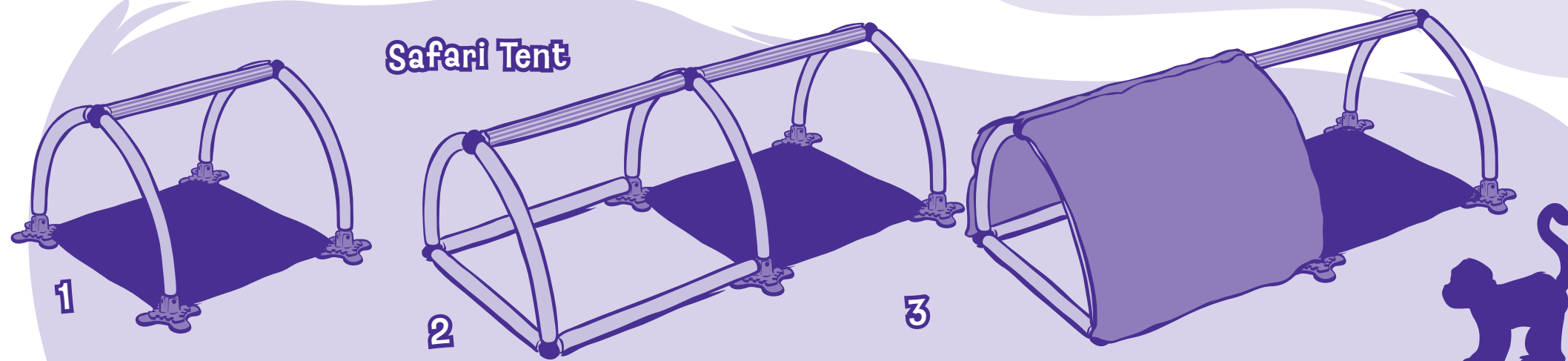
- Play jungle hide-and-seek with your friends.
- Tell a spooky jungle story with a friend!
- Make jungle animal sounds in your rain forest tree house.
- Go on a safari, find some stuffed animals, and hide them in your safari tent.
- Play jungle drums on the floor of your wild hideout!



Rain Forest Tree House



Safari Tent



Free Manuals Download Website

<http://myh66.com>

<http://usermanuals.us>

<http://www.somanuals.com>

<http://www.4manuals.cc>

<http://www.manual-lib.com>

<http://www.404manual.com>

<http://www.luxmanual.com>

<http://aubethermostatmanual.com>

Golf course search by state

<http://golfingnear.com>

Email search by domain

<http://emailbydomain.com>

Auto manuals search

<http://auto.somanuals.com>

TV manuals search

<http://tv.somanuals.com>