

Creda

Mobile Air Conditioner Users Instruction & Installation Book for:

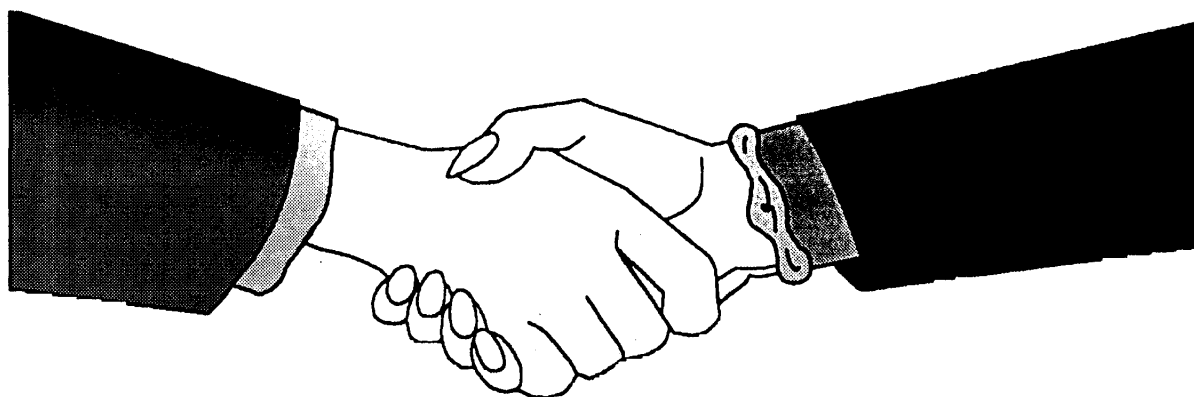
Coldair 56030



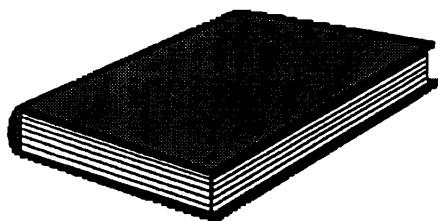
**You must read these instructions prior to using the appliance
and retain them for future reference**

CONTENTS	
INTRODUCTION	3
PRODUCT IDENTIFICATION / FEATURES	4
ELECTRICAL REQUIREMENTS	5
FLEXIBLE AIR OUTLET TUBE	6
INSTALLATION / POSITIONING	7 - 8
BEFORE USING THE APPLIANCE	9
OPERATION	
Cooling Mode	10
Dehumidification Mode Only	10
Condensate Water Tank	11
Fan Only Mode	11
CARE AND CLEANING	12
SOMETHING WRONG?	13
HOW TO OBTAIN SERVICE	14
SPARES / ACCESSORIES ORDER HOTLINE	14

INTRODUCTION



Your new appliance is guaranteed* and will give lasting service. This guarantee is only applicable if the appliance has been installed in accordance with the installation/positioning instructions detailed in the booklet.



To help make the best use of your Air Conditioner, please read this booklet carefully.

* **The guarantee is subject to the provisions that the appliance:**

- (a) **Has been used solely in accordance with the User Instruction Book.**
- (b) **Has been properly connected to a suitable supply voltage as stated on the rating plate attached to the appliance.**
- (c) **Has not been subjected to misuse or accident or been modified or repaired by any person other than the authorised employee or agent.**
- (d) **Has been correctly installed.**

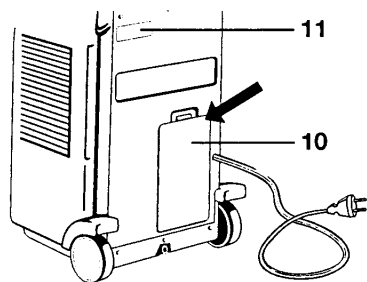
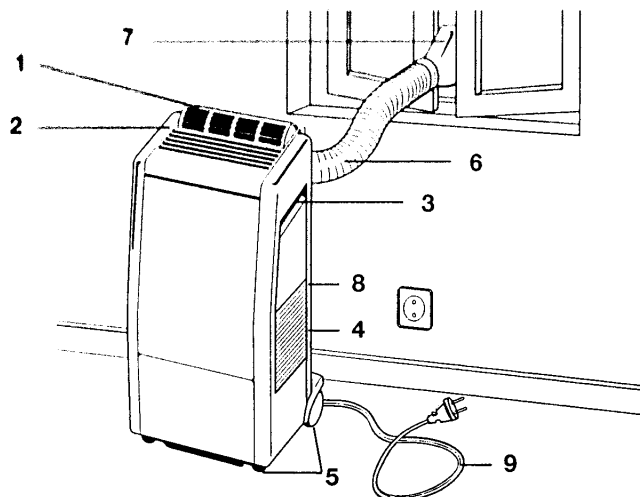
This appliance conforms to the following EEC Directives:



Low Voltage Equipment
73/23/EEC
93/68/EEC

Electromagnetic Compatibility
89/336/EEC
92/31/EEC
93/68/EEC

PRODUCT IDENTIFICATION / FEATURES



Rear view

1. Control panel
2. Adjustable Air Outlet Grille
3. Transportation Handles (both sides)
4. Return Air grille (both sides)
5. Transportation Wheels
6. Flexible Air Outlet Tube
For best results it is recommended that only one flexible air outlet tube is used. The second tube supplied is only for use when a high window is used for venting.
7. Exhaust Air nozzle
8. Air Filter (both sides)
(withdraw filters from the rear of the unit)
9. Electric Supply Cable
10. Access Door to condensate water tank
11. Rating Plate

Product Weight: 36Kg

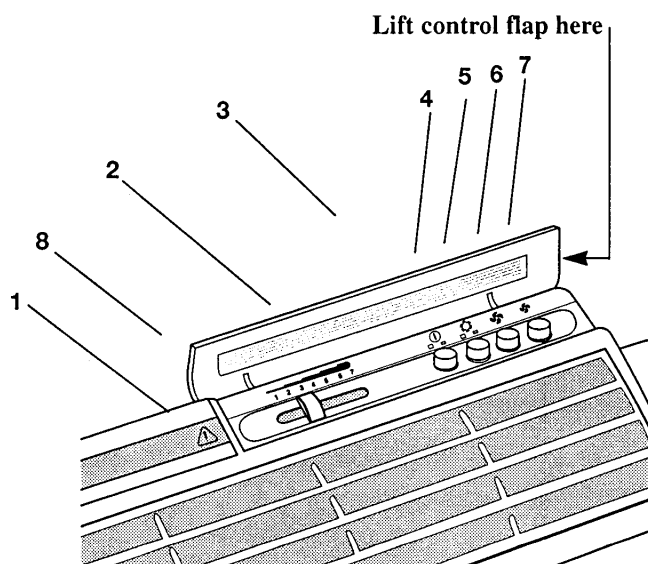
Operating Limits:

Temperature:	MIN	MAX
	19° C	32° C

Room Sizes: Up To 20m² *

* Assuming 2.5m ceiling height and average operational temperature of 25° C

CONTROL PANEL



1. Adjustable Air Outlet Grille
2. Electronic Thermostat Selector
3. Advice Label
4. ON/OFF Push-Button Switch
Push button In for ON.
Push button Out for OFF. ⓘ

Always allow at least 3 minutes between each usage to allow the compressor to operate to the optimum performance.

5. Cooling Push Button ⓘ
6. High Speed Fan Push-Button ⓘ
7. Low Speed Fan Push-Button ⓘ
8. Condensate Water Tank "Full" Neon ⓘ
The air conditioner will not work if the neon is lit and flashing. In this case the condensate water tank MUST be emptied (See Condensate Water Tank Section)

ELECTRICAL REQUIREMENTS

Supply

This appliance should be connected to the mains supply via a suitable switched socket, which is in a position accessible after installation. Refer to rating plate for the supply voltage.

Warning: This appliance must be earthed.

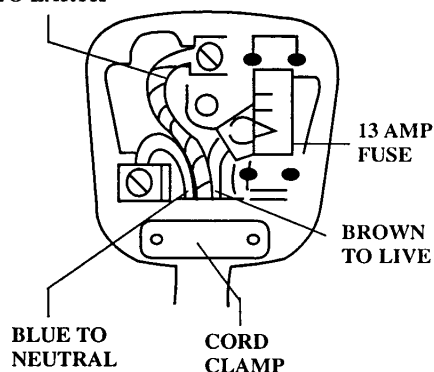
Changing the Plug

The flexible mains lead is supplied connected to a BS1363 fused plug with a 13 amp capacity.

If this plug is removed or cut off, it should be properly disposed of and not left where children might find it and plug into a supply socket - with the obvious consequent danger of electrocution.

Rewirable Plug

GREEN & YELLOW
TO EARTH



The wires in the mains lead are in accordance with the following:

GREEN/YELLOW - EARTH
BLUE - NEUTRAL
BROWN - LIVE

If the plug is changed, the coloured wires in the mains lead may not correspond with the colours of the markings identifying the terminals in the plug. Therefore wire is as shown above. Should the mains lead ever require replacement, this operation must be carried out by a competent person. Only use specially prepared 3 core 1.50mm² recommended spares cable.

Moulded Plug



The correct replacement of the fuse is identified by the colour coding in the base of the plug or the colour that is embossed in words in the base of the fuse recess, or elsewhere on the plug. Only 13 amp replacement fuses which are ASTA approved to BS1362 should be fitted. After replacement of a fuse in the plug, the fuse cover must refitted. Fuse covers may be obtained from your local Regional Electricity Company.

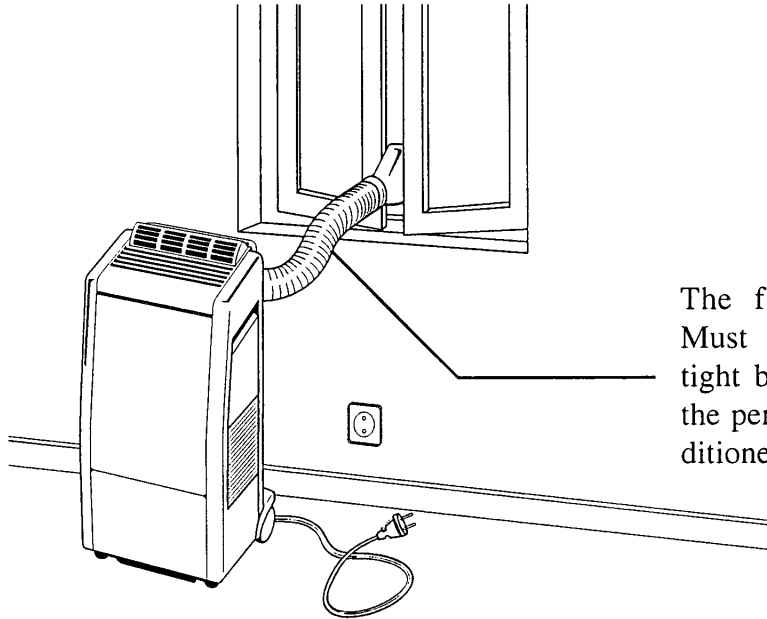
Warning: The plug must not be used without a fuse cover.

NOTE: Replacement mains cables must only be obtained from our recommended Spares stockist.

NOTE: If in doubt consult a qualified electrician.

FLEXIBLE AIR OUTLET TUBE

To achieve the best results when using your air conditioner we recommend that only one length of flexible air outlet tube is used wherever possible.



The flexible air outlet tube Must Not be turned through tight bends as this will impair the performance of the air conditioner.

If required, the two flexible air outlet tubes supplied can be connected together to allow venting of the air conditioner through a high window. Please note that performance of the air conditioner will be reduced when using this method of venting.

It is advised wherever possible that the air conditioner is vented using only one flexible air outlet tube.

When using the second flexible air outlet tube the distance from the floor to the top of the flexible air outlet tube Must Not exceed 2 metres.

INSTALLATION / POSITIONING

There are 3 methods of installing / positioning your air conditioner unit:

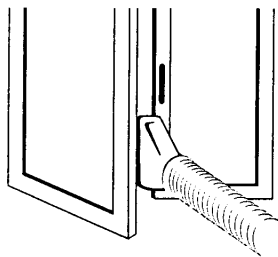
1. Positioning the flexible air outlet tube through an open window.
2. Positioning the flexible air outlet tube through a porthole in the window-pane using the adaptor provided.
3. A more permanent installation using a Wall / Window Kit.

1. Positioning the flexible air outlet tube through an open window.

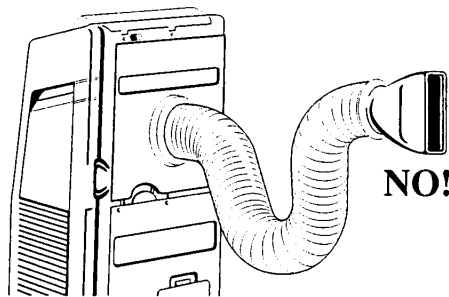
Step 1 Position the air conditioner unit as close to the window as possible.

Step 2 Fit the flexible air outlet tube to the round connection at the rear of the unit and lock into position, by rotating it half a turn.

Step 3 Fit the exhaust air nozzle to the end of the flexible air outlet tube and extend the flexible air outlet tube until it is long enough to reach outdoors, passing it through an open window.



Note: Avoid sharp bends or restrictions of the flexible air outlet tube.



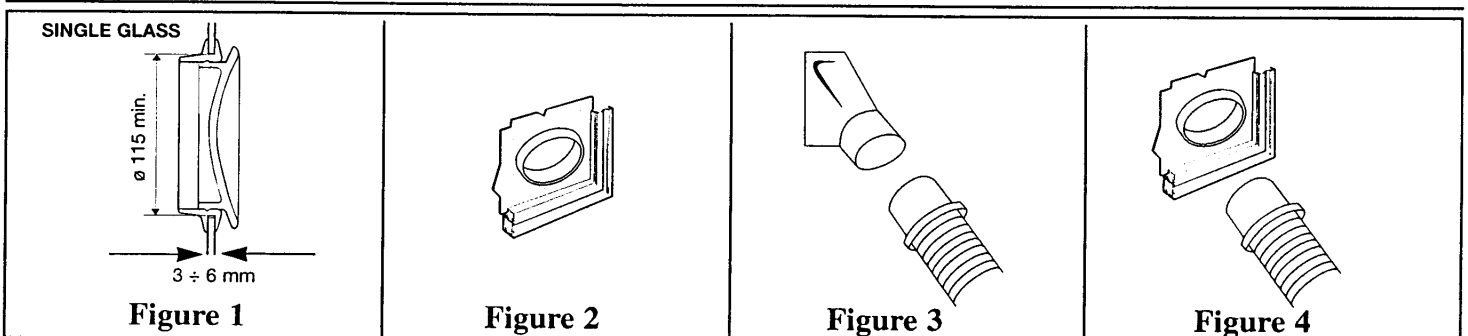
2. Positioning the flexible air outlet tube through a porthole in the window-pane using the adaptor provided (We advise that you consult a reputable glazier).

Step 1 Make a hole in the window-pane (see figure 1).

Step 2 Insert the port-hole into window frame without the window blanking plug (see figure 2).

Step 3 Remove the exhaust air nozzle from the flexible air outlet tube (see figure 3).

Step 4 Position the air conditioner unit near to the window and insert the air flexible air outlet tube into the porthole (see figure 4).



We strongly recommend that for double glazing you refer to a reputable glazier.

INSTALLATION / POSITIONING Continued

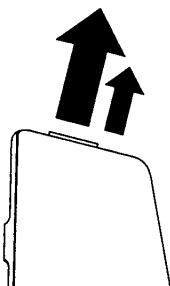
3. A more permanent installation using a Wall / Window Kit.
Available as an optional extra under Part No. 2900001.

The Wall / Window kit can be used to permanently vent your air conditioner.

Setting Air Flow Direction

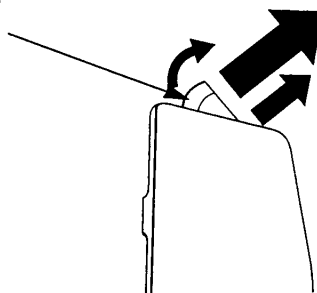
Step 1 To set the air flow horizontally, pull the adjustable air outlet grille towards you (see below).

Vertical Air Flow





Adjustable Air
Outlet Grille

Horizontal Air Flow



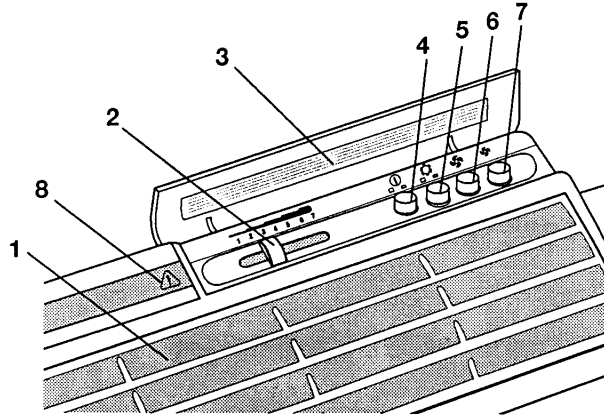
BEFORE USING THE APPLIANCE

- Stand the air conditioner vertical for 10 minutes before first use. If air conditioner has been transported on its side allow 30 minutes.
 - Check that the power supply at the location where the air conditioner is going to be used is 220/240 volt, single phase, 50 cycles.
 - Make sure that the electrical installation is suitable to supply continuously a current of 5 A in addition to that already used by other electrical appliances.
 - The unit must be connected according to the IEE Wiring Regulations.
 - Do not install the air conditioner where it could be in contact with water (i.e. in laundries, bathrooms etc.).
 - Make sure that the ON/OFF push-Button switch on the control panel of the air conditioner is in the off position before connecting the appliance to the electrical supply (Push on/off  button out for off).
 - Before connecting the air conditioner to a power socket, make sure that the socket is provided with an earth connection in compliance with the IEE Wiring Regulations.
 - Never use the power plug as a mean to start or stop the air conditioner: **Always** use the ON/OFF  push-button switch on the air conditioner control panel to do this.
 - The manufacturer assumes no responsibility if the safety Regulations or IEE Wiring Regulations are not observed.
 - **WARNING!**
Wait for 3 minutes after each previous use before re-starting the appliance. Several stops and re-starting in a short time could damage the compressor. Avoid quick movements of the thermostat selector in both directions when the compressor is running.
 - Make sure that there are no obstacles around the unit affecting the free circulation of air. A minimum distance of 15 cm. between the side return air grilles and 80 cm. in front must be always maintained. Never put obstacles on top of the unit.
-

OPERATION

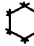




Introduction: Three options are available when using your air conditioner: *Cooling Mode; to air condition your room, in Dehumidification Mode Only; to remove excess moisture from your room, or in Fan Only Mode; to recirculate air.

* When set to Cooling Mode, the air conditioner will also dehumidify the room.







*COOLING MODE

When using your Air Conditioner in Cooling Mode the flexible air outlet tube must be used.

- Step 1** Slide electronic thermostat selector (2) to the right until you reach maximum cooling position (setting 7).
- Step 2** Then press the cooling  push-Button (5).
- Step 3** Press the high fan speed  push-button (6).
- Step 4** Press the green ON/OFF  push-button (4) to start the air conditioner.
- Step 5** When room temperature of the room has been reduced to the required level, press the low speed fan  push-Button (7).
- Step 6** Then slowly slide the electrical thermostat selector (2) back towards the left until you hear a click. At this point the air conditioner is set for automatic operation under the control of the electronic thermostat, it will now maintain the room temperature at the pre-set level.
- Step 7** To stop the air conditioner press the green ON/OFF  push-button (4).

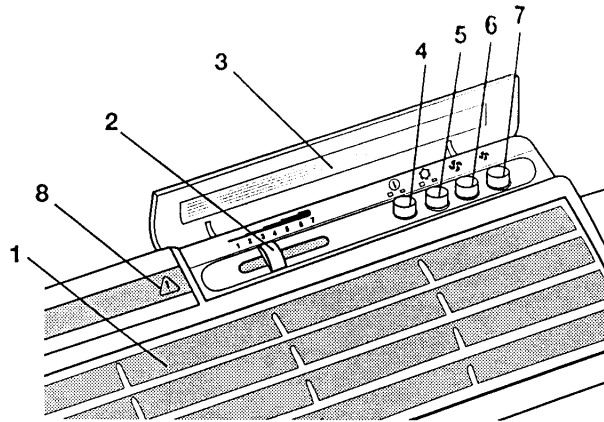
DEHUMIDIFICATION MODE

When you use the air conditioner in the dehumidification mode, you should not use the flexible air outlet tube. The unit will dehumidify and recirculate the room air. In this mode the air conditioner will reduce the air humidity without reducing the room temperature.

- Step 1** Slide electronic thermostat selector (2) to the right until you reach the maximum cooling position (setting 7), then press the cooling  push-button (5).
- Step 2** Press the low speed fan  push-button (7).
- Step 3** Press the green ON/OFF  push-button (4) in, to start the air conditioner. The humidity removed from the air, (condensate), will be collected into the condensate water tank.
- Step 4** To stop the air conditioner press the green ON/OFF  push-button (4) out.

Warning: The air conditioner may be used as a dehumidifier only if the room temperature is at or above 19° C. When the room temperature is lower than 19° C, the thermostat stops the compressor and humidity removal does not take place.

OPERATION Continued.....



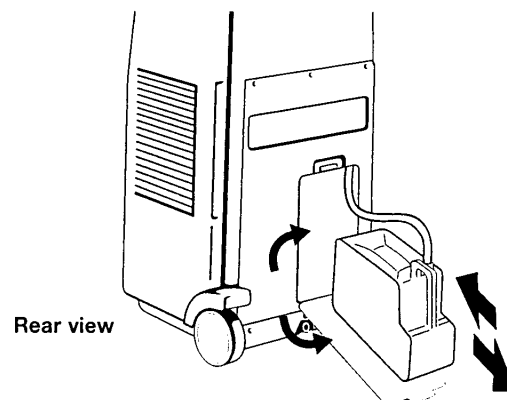
CONDENSATE WATER TANK

When the air conditioner is in cooling or dehumidification mode, it will remove humidity from the air, collecting the condensate in a small tank accessible through the door located at the rear bottom of the unit. After using the unit as a dehumidifier, always empty the condensate water tank and make sure you place it back into its correct position before starting the air conditioner again.

Step 1 Switch off the air conditioner unit by pressing the green ON/OFF (I) push-button (4) out, and then disconnect from electrical supply.

Warning: Always disconnect the electrical supply to the unit before opening the rear access door.

Step 2 Open the rear access door, remove water tank and empty.



Note: When the water tank is full of condensate, the air conditioner will automatically stop and the red water tank neon (⚠) (8) will start flashing. If this light becomes lit, empty the condensate water tank, following the instructions above.

Step 3 Refit water tank ensuring that the condensate discharge tube is refitted into the water tank hole, then close the access door.

FAN ONLY MODE

If you want to circulate air without any temperature control.

Step 1 Make sure that the cooling (❄) push-Button (5) is pressed out (deactivated).

Step 2 Press the high speed fan (🌀) push-button (6), to increase air flow.

Step 3 Press the green ON/OFF (I) push-button (4) in, to start the air conditioner.

CARE AND CLEANING

Warning:

Before cleaning, please ensure that the electricity supply to the appliance is switched off.

1. Cleaning of Air Filters

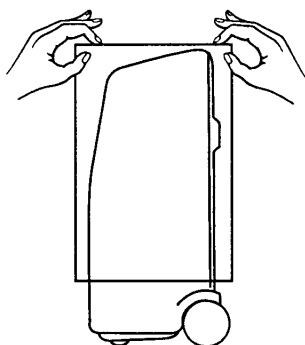
Air filters must be checked at least once every two weeks. Filters are located beneath the return air grilles on both sides of the air-conditioner and are removed from the rear of the unit. Use a vacuum cleaner to remove light dust. If there is sticky dust on the filter, wash with lukewarm soapy water, and dry before refitting to the air conditioner.

2. Cleaning of Casing and Grilles.

To clean the air conditioner, wipe it with a clean soft cloth. In case it is stained, moisten the cloth with soapy water and rewipe. Never use solvents, harsh chemicals or very hot water. Do not pour water over the air conditioner to clean it. This will damage the internal components and cause an electric shock hazard.

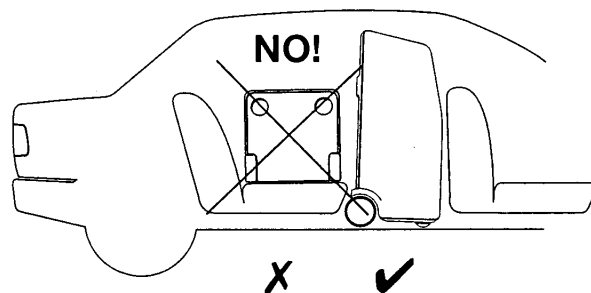
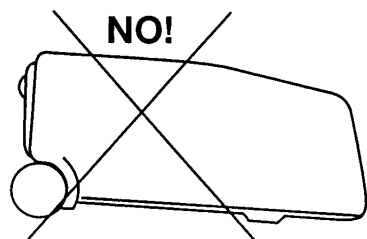
3. Storage.

If you are not going to make use of the air conditioner for a long period, before storing it away clean the air filters and empty the condensate water tank. Always store the unit in the vertical position and protect it with a cloth or a plastic bag. Do not put heavy objects on the top of the unit.




4. Transport

Preferably keep the air conditioner in the vertical position during transportation. If this is not possible then lay the unit on its right hand side; when at destination put the air conditioner back in the vertical position and wait at least 10 minutes before using it for cooling. Before transporting always ensure that the condensate water tank is empty.



Never transport the air conditioner on its rear.

SOMETHING WRONG?

- | | |
|---|--|
| ● | If the  symbol is lit and the air conditioner stops, then the water tank is full of condensate. Please empty the condensate water tank. |
| ● | The plug is inserted properly into the power socket. |
| ● | If the air conditioner stops working, check blown fuse / outlet by substituting air conditioner for known good appliance. |
| ● | The house circuit breaker is in the ON position and fuses have not blown. |
| ● | Air filters are not clogged - When in use air filters must be cleaned at least once every 2 weeks. |
| ● | The flexible tube(s) is correctly positioned without any sharp bends or any restrictions. |
| ● | At least 3 minutes have passed since the appliance was last used - please wait for a few minutes and then try the air conditioner again. |
| ● | Slowly slide (2) from position 1 to 7 verifying compressor re-starting. |
| ● | You have followed the instructions given in this instruction book. |
| ● | The room temperature is at or above 19°C - if the room is below 19°C the air conditioner will switch off automatically. |

SERVICE - Creda Air Conditioning

Please carry out all the checks detailed in the Something Wrong page. If there is still a problem with your appliance then contact the Service Centre; by using the national call number below :-

Please have the following information available when you call:

Please have the following information available when you call:

1. (a) Your name.
(b) Your address and postcode.
(c) Your telephone number.
2. The name of the shop/retailer where the appliance was purchased.

Shop/Retailer:

3. The date your appliance was purchased.

Date:

4. The Model number and Serial number of your appliance (See Features page for Rating plate location).

Model number:

Serial number:

5. Clear and concise details of the fault.
6. Details of any extended warranty or Service Schemes.

UK	0541 500 500
Republic Of Ireland	1850 302 200

If you have any other queries regarding Service or Spares, our Spares and Service division will be pleased to help, You should write to:

Creda Service
Customer Service Department,
Blythe Bridge,
Stoke-On-Trent,
ST11 9LN

For Spare Parts and Accessories, please telephone our Spares Order Hotline on 0541 530 530 (UK) or 01 842 6836 (Republic Of Ireland)

Note 1: If under guarantee, Our engineers will need to see a copy of your purchase receipt when they call.

Note 2: Our engineers will use every effort to avoid damage to floor coverings and adjacent units when carrying out service/repair work, but in locations where the engineer advised you that it is impossible to move the appliance without risk of damage, he will only proceed with your approval that no liability will be accepted.

Free Manuals Download Website

<http://myh66.com>

<http://usermanuals.us>

<http://www.somanuals.com>

<http://www.4manuals.cc>

<http://www.manual-lib.com>

<http://www.404manual.com>

<http://www.luxmanual.com>

<http://aubethermostatmanual.com>

Golf course search by state

<http://golfingnear.com>

Email search by domain

<http://emailbydomain.com>

Auto manuals search

<http://auto.somanuals.com>

TV manuals search

<http://tv.somanuals.com>