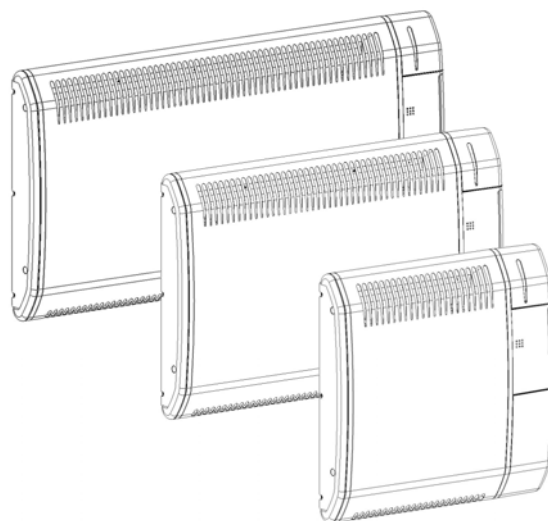


## Creda Newera Profile and Profile Plus Panel Heaters

### Installation and Operating Instructions



Wattage (W)	Model with controls white	Model with controls silver	Model with no controls white	Dimensions (mm)
500	NPP50 75-773001	NPP50S 75-773011	NP50 75-772901	442 x 430 x 80
1000	NPP100 75-773002	NPP100S 75-773012	NP100 75-772902	680 x 430 x 80
1500	NPP150 75-773003	NPP150S 75-773013	NP150 75-772903	680 x 430 x 80
2000	NPP200 75-773004	NPP200S 75-773014	NP200 75-772904	852 x 430 x 80

The Newera Profile panel heater range is designed for wall mounting on the wall brackets supplied. It should only be operated when in the upright position as shown in diagram C.

All models are protected against moisture ingress to IPX4 standard.

All models, except those with no controls, are fitted with a 7-day digital programmer.

#### **Installation:**

Before connecting the heater, check that the supply voltage is the same as that stated on the rating label.

When selecting the position for the heater to be installed, consideration should be given to ensure that there are no obstructions closer than the dimensions given in Diagram C. The bracket for the heater should be fitted in accordance with the method detailed in the associated diagrams. The heater must not be located below a socket outlet or connection box.

**Care must be exercised when fitting the heater onto the bracket. Pressure should only be applied to the ends of the heater and not to the grille area.**

The electrical installation must be carried out by a competent electrician and in accordance with the current Electrical Wiring Regulations (BS7671) and/or local regulations.

The heater is fitted with a length of flexible cable for connection to the fixed wiring of the premises via a suitable connection box positioned adjacent to the heater.

If the supply cord is damaged, it must be replaced by the manufacturer, its service agent or similarly qualified persons in order to avoid a hazard.

**A means for disconnection in all poles must be incorporated in the fixed wiring in accordance with the wiring rules.**

**WARNING – THIS APPLIANCE MUST BE EARTHED**

**WARNING – In order to avoid overheating, do not cover the heater.**

## **Bathroom Installation**

**IMPORTANT** – If the heater is installed in a room containing a bath or shower, it must be so installed that switches and other controls cannot be touched by a person using a bath or shower.

## **Wall Mounting**

**IMPORTANT – DO NOT** locate the heater immediately below a fixed socket outlet or connection box. The wall bracket supplied with the appliance should be fitted using the screws and wall plugs provided. The heater should be positioned observing the minimum clearances around the heater (see diagram C).

## **For all heater sizes**

The bracket has been designed to be used as a template for setting the wall fixing position. Refer to the diagrams below for dimensional details. To set the vertical minimum, the bracket should be positioned on the floor and the wall marked at the notches in the vertical members of the bracket. This marks the final position of the bottom of the bracket. When placing the heater on the bracket, firstly engage the heater on to the bottom hooks and then press the heater on to the catches. It is recommended to press the heater at the ends and not on the grille area.

## **500W Heater (refer to diagram A)**

If the heater is required to be fitted towards an object/obstruction to the left then the bracket should be positioned against the floor and the object/obstruction and the wall marked along the right edge of the right upright. This is the final position of the left side of the left upright member of the bracket.

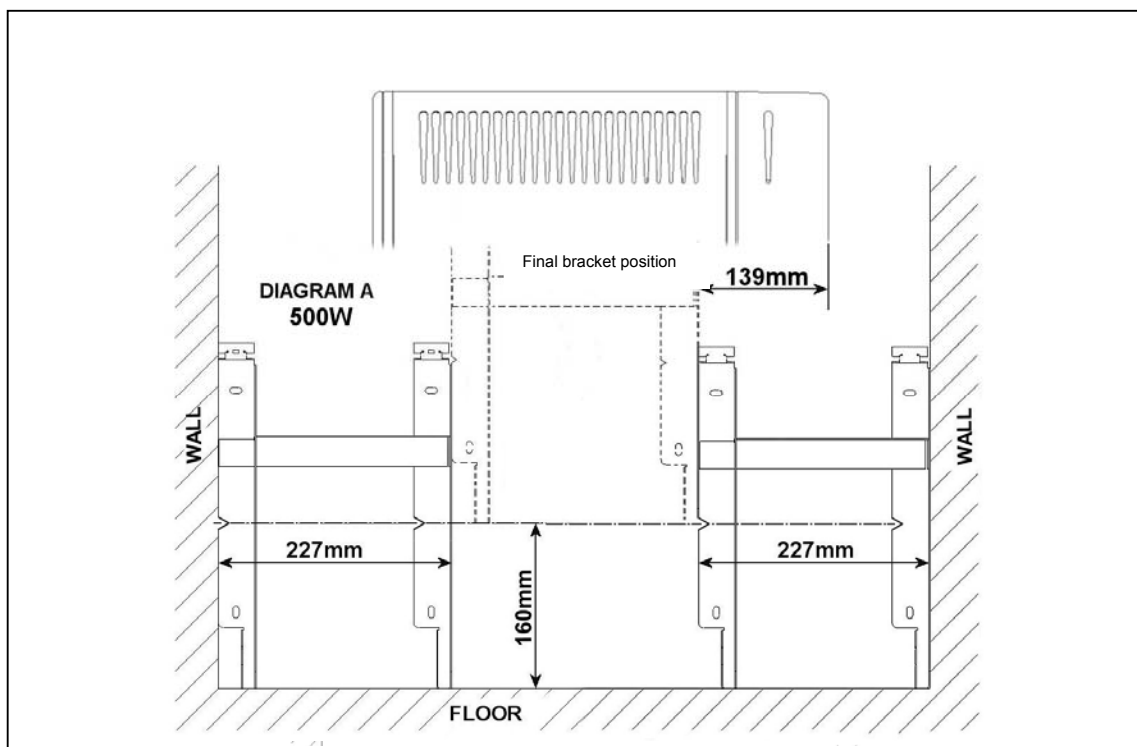
If the heater is required to be fitted towards an object/obstruction to the right then the bracket should be positioned against the floor and the object/obstruction and the wall marked along the left edge of the left upright. This is the final position of the right side of the right upright member of the bracket.

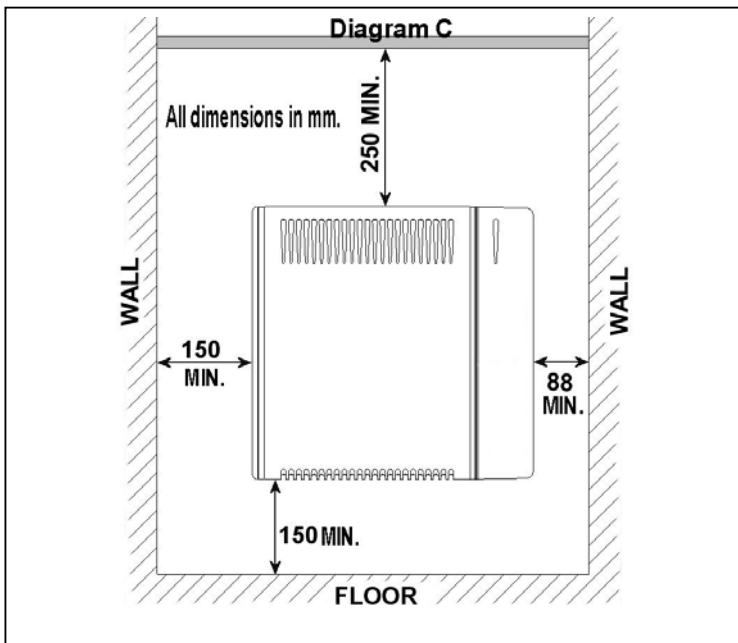
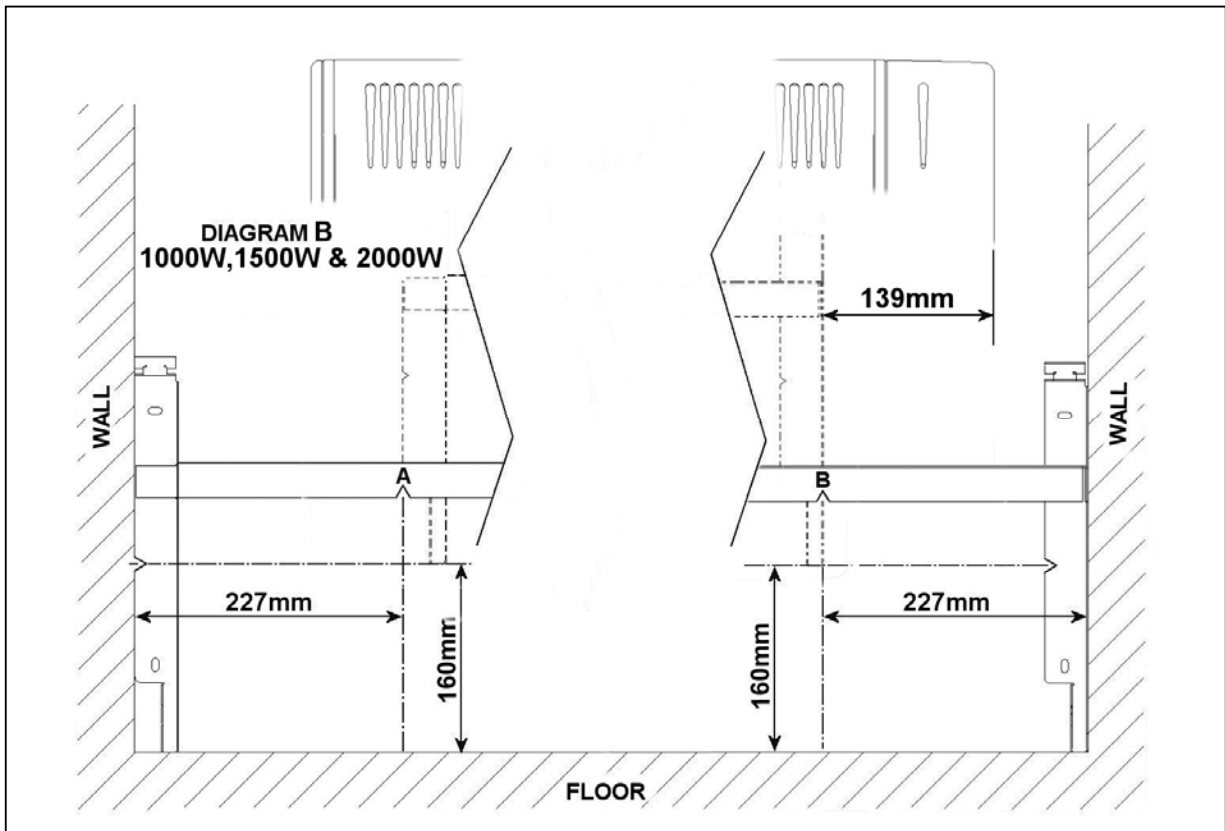
## **All other sizes of heaters (refer to diagram B)**

If the heater is required to be fitted towards an object/obstruction to the left then the bracket should be positioned against the floor and the object/obstruction and the wall marked at notch 'A'. This is the final position of the left side of the left upright member of the bracket.

If the heater is required to be fitted towards an object/obstruction to the right then the bracket should be positioned against the floor and the object/obstruction, and the wall marked at notch 'B'. This is the final position of the right side of the right upright member of the bracket.

**The bracket has also been designed to allow the use of a spirit level on the horizontal member for levelling during fitting.**





**View of Controls**



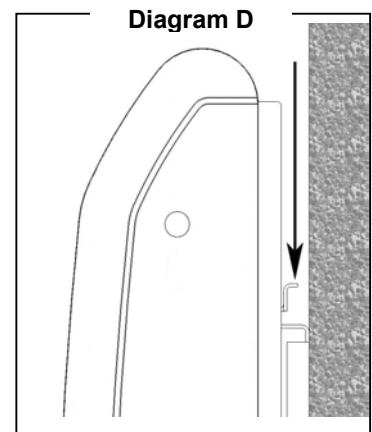
**No Controls Models – 75-772901, 75-772902, 75-772903, 75-772904 and 75-772905**

These models can be installed in association with a separate room thermostat control.

**Bracket release for cleaning**

For safety, the heater should be switched off at the mains before proceeding. To release the panel heater from the bracket, the rear catch must be pressed down while pulling the heater forward gently. It is recommended to use a narrow tool for this purpose. A pencil or small screwdriver would be a suitable tool. Diagram D shows the procedure for releasing the heater from the bracket.

When replacing the heater on the bracket, firstly engage the heater on to the bottom hooks and then press the heater on to the catch. It is recommended to press the heater at the ends and not to the grille area.



## The Panel - How it works

A heating element within the metal case warms its front face for direct radiation into the room and a gentle circulation of warm air around the room. The built-in thermostat with its adjustment knob located behind the controls door, controls the room temperature by sensing this from the air passing upwards through the panel. The knob selection provides settings from 1 to 6 and each increase in number equates to approximately 7°C temperature difference. Position 1 represents 7°C and would be used for frost protection when the property is not occupied. Position 3 represents 21°C and is the normal comfort position.

NOTE – Should your heater fail to come on when the thermostat knob is at a low setting, this may be due to the temperature of the room being higher than the thermostat setting.

## Timer/Programmer

A digital timer/programmer is built into the product and is situated behind the controls door. This will control the operation of the heater for the time periods set at the thermostat setting.

## Setting up

If, at any time during setting, a period of approximately 7 seconds passes with no button pressed then the timer reverts to the clock display and saves the settings thus far.

**To set the clock,** firstly press the left button below where it says "SETUP" on the display. Five options will be displayed on the right side of the display. These are PROG, DOWN, CLOCK, SUMMER and RANDOM. PROG will be flashing at this time. Press the "+" button twice to move the flashing to "CLOCK", and then press the left button to "AFFIRM" the choice. The hour display will now be flashing and pressing the + or – buttons will set the display to the required setting. Then press the AFFIRM button and the minutes display will be flashing and again the + and – buttons will set the display to the required setting. Press the AFFIRM button and the day display will be flashing and the + and – button will set the day to the required setting. Press the AFFIRM button to end the clock setting and return to the clock display.

**To set the Program,** firstly press the left button below where it says "SETUP" on the display. Five options will be displayed on the right side of the display. These are PROG, DOWN, CLOCK, SUMMER and RANDOM. PROG will be flashing at this time. Press the AFFIRM button and the 01<sup>ON</sup> display will be flashing. Press the AFFIRM button and the hour display will flash and be adjustable by the + and – buttons. Pressing AFFIRM will move the display to the minutes, and then to the days. The days have special groupings that can be selected by pressing the + and - buttons. They are **MO TU WE TH FR , SA SU , MO TU WE TH FR SA , MO WE FR , TU TH SA , MO TU WE , TH FR SA , ALL DAYS** and individual days. Make your selection and press AFFIRM. The 01<sup>ON</sup> display will flash. Pressing the + button will advance the display to 01<sup>OFF</sup> and the same procedure should be followed for setting the OFF time remembering to use the same day selection. The procedure should be followed through to complete your programming requirements up to maximum step 12<sup>OFF</sup>. Any unwanted steps may be left blank.

**Manual Over-ride** The timer can be over-riden at any time by pressing the right-hand button until the display shows the required mode **ALWAYS ON** or **ALWAYS OFF**. **The timer must be returned to the PROG position for the timer and its programs to be active.**

**Summer Setting** For setting the clock forward 1 hour for summer, press SETUP and select Summer on the display then press +. To unset the summer setting, repeat the procedure.

**Down Timer** The heater can be set to be ON for a fixed time by selecting DOWN from the SETUP screen and using the + and – buttons to set the required hours. Then press AFFIRM and set the minutes followed by AFFIRM. The heater will then operate until the time expires.

### *Guarantee*

We, Applied Energy Products, guarantee that should this Creda room heater prove to be defective by reason of faulty workmanship or materials within 12 months\* (outside UK contact your local distributor) of the date of purchase or commencement of hire purchase, we will replace the defective parts FREE OF CHARGE on condition that:

- a) The appliance has been correctly installed and used only on the supply circuit or voltage stamped on the rating plate.
- b) The appliance has been used in accordance with the instructions and has not been tampered with or otherwise subject to misuse, neglect or accident.
- c) The appliance has not been taken apart, modified or repaired except by a person authorised by us.
- d) Evidence in the form of an invoice receipt (or hire purchase documents) is included with the appliance if returned under guarantee.

\*This Guarantee does not affect your statutory rights".

## Free Manuals Download Website

<http://myh66.com>

<http://usermanuals.us>

<http://www.somanuals.com>

<http://www.4manuals.cc>

<http://www.manual-lib.com>

<http://www.404manual.com>

<http://www.luxmanual.com>

<http://aubethermostatmanual.com>

Golf course search by state

<http://golfingnear.com>

Email search by domain

<http://emailbydomain.com>

Auto manuals search

<http://auto.somanuals.com>

TV manuals search

<http://tv.somanuals.com>