

Crestron Isys™ TPS-2000L Compact Video Touchpanel

CRESTRON
HOME



The Isys™ TPS-2000L Compact Video Touchpanel sets new standards in touchpanel technology. It incorporates features found only in our top-of-the-line Isys panels yet it's so cost-effective, you can put one in every room. A color active-matrix video touchpanel combined with ten easy-to-use pushbuttons makes an incredibly versatile choice for controlling the entire home.

The 5" diagonal display presents beautiful color control graphics and full-motion video with a clarity previously not found in this size. A light sensor automatically brightens or dims the display with room light so it's easy to see any time of day or night. With an exceptional viewing angle, you'll enjoy an outstanding picture. Best of all, its exclusive Virtual Digital Pan and Zoom feature is as useful as it is fun to use. Thanks to Crestron's advanced digital video processor circuitry, just touch the screen with your finger to pan across the video picture and zoom in for the best view. You can watch video in a window at the same time you are using your control panel.

The TPS-2000L audio capabilities are just as impressive. WAV sound file storage and playback provide audio feedback, from sound effects to the sound of your own voice. A microphone, amplifier and speakers let you talk with arriving guests, as you view them on the screen. Adjustments are also available for volume and tone.

The TPS-2000L can be the central control point in any part of the house or use it in larger systems to complement other Isys panels.

Its compact size lets you mount it on the wall for whole house control or in a sofa or chair arm, for the ideal command center in your home theater. Inlays for paint, wallpaper, and designer metal finishes are available.

- > *Isys technology in a versatile, compact size*
- > *5" diagonal touch-sensitive LCD screen*
- > *Ten (10) easy-to-use pushbuttons*
- > *High quality control graphics and full-motion video*
- > *A light sensor automatically brightens or dims the display with room light*
- > *Digital video processor circuitry provides exclusive Virtual Pan and Zoom feature*
- > *Storage and playback of .wav files provides audio feedback*
- > *Built in mic and dual powered speakers with volume and tone control*
- > *Choose from a variety of standard colors and designer finishes*
- > *Graphics display rotates 180° for optimum viewing angle for wall or flush mounting*



All brand names, product names and trademarks are the property of their respective owners.
©2002 Crestron Electronics, Inc.

Crestron Isys™ TPS-2000L Compact Video Touchpanel



5" Wall Model

Touchscreen

Display Type: Touch-sensitive active matrix color LCD

Screen Dimensions: 5"/12.7 cm diagonal

Screen Resolution: 320x234 pixels

Color: 16 Bit non-palette graphics

Enclosure: Injection-molded plastic enclosure faceplate and keys in white; Auto-Light Sensor, Built-in 10 "Quick" pushbuttons

Graphics Display: Rotates 180° via software for optimum viewing angle in flush mount

Connectors

- 4-position mini-phenix for Cresnet
- 8-position mini-phenix for audio and video.

Audio

- Balanced & unbalanced line level mono input, balanced line level microphone output, and built-in WAV file capability (8KHz)
- Half duplex intercom capable
- Dual amplified speakers (2W per spkr) w/volume & tone control

Video

- Balanced(CAT5) /unbalanced composite video input supporting NTSC/PAL formats and built-in time base correction. Video can be displayed either full screen or in a window.
- 2x digital zoom w/pan feature built-in

Memory

2MB internal flash memory, 8MB of DRAM

CPU

63MIPs Coldfire processor running Isys generation firmware

Power Requirements

13W, 24VDC, 0.54A

Additional Options

BB-2000: Back box for wall mounting

PMK-2000L: Pre-Construction Mount

MMK-2000L: Mud mount kit for use w/ BB-2000 or PMK-2000L

TMK-2000L: Trim mount kit for use w/ BB-2000 or PMK 2000L

WMKM-2000L: Wall mount kit - with Mud Ring

WMKT-2000L: Wall mount kit - with Trim Ring

TPS-FP: Designer Series faceplates

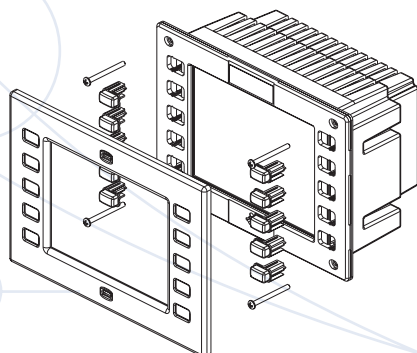
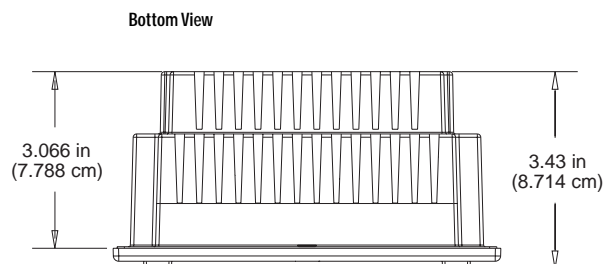
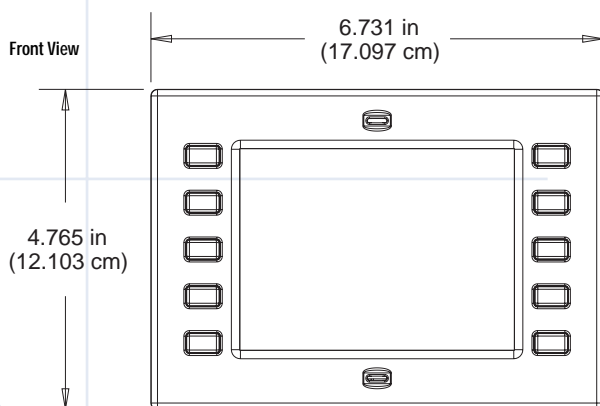
TPS-WPK: Water Resistant Cover Kit

Dimensions

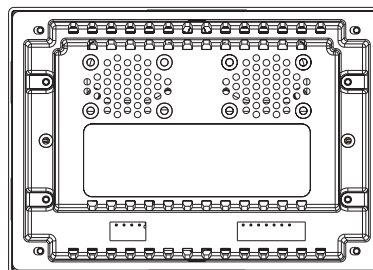
4.77" (12.10 cm) H x 6.73" (17.10 cm) W x 3.43" (8.71 cm) D

Weight

1.41 lb (0.64 kg)



Rear View



NEW YORK
LOS ANGELES
ATLANTA
DALLAS

CHICAGO
TORONTO
MEXICO CITY
BRUSSELS

MUNICH
LONDON
PARIS
HONG KONG

BEIJING
SINGAPORE
TAIWAN
MELBOURNE

Crestron Electronics, Inc. 15 Volvo Drive • Rockleigh, NJ 07647
Tel: 800.237.2041 / 201.767.3400 • Fax: 201.767.7576 • www.crestron.com

Cover photo montage: Installations by AVWashington, Inc. (www.avwashington.com) and Midwest Visual Communications (www.midwestvisual.com)

Specifications subject to change without notice. — Printed in USA Doc.6027 2/02



Free Manuals Download Website

<http://myh66.com>

<http://usermanuals.us>

<http://www.somanuals.com>

<http://www.4manuals.cc>

<http://www.manual-lib.com>

<http://www.404manual.com>

<http://www.luxmanual.com>

<http://aubethermostatmanual.com>

Golf course search by state

<http://golfingnear.com>

Email search by domain

<http://emailbydomain.com>

Auto manuals search

<http://auto.somanuals.com>

TV manuals search

<http://tv.somanuals.com>