



## CS-200DP-TW2

### 2-WAY REMOTE CONTROL ALARM SYSTEM INSTALLATION & OPERATING INSTRUCTIONS

---

#### INTRODUCTION

**CONGRATULATIONS** on your choice of an "On-Guard" Remote Alarm System by Crimestopper Security Products Inc. This booklet contains the information necessary for installing, using, and maintaining your alarm system. If any questions arise, contact your installation dealer or Crimestopper Security Products Inc. at the Tech Support number below.

**\*IMPORTANT INFORMATION: Primary and Optional Features:**

**-PRIMARY:** These are features that must be connected in order for the system to operate properly; i.e. the Siren, L.E.D., +12V Power, Ground, Door pin, Flashing lights Override/Program/Valet Button etc.

**-OPTIONAL:** These are features to be connected if desired or agreed upon by the installing dealer. These features may also require additional parts and/or labor fees. Consult with your installer beforehand; i.e. Door Locks, Starter disable, Hood/Trunk trigger, and Auxiliary Remote Outputs etc.

***This installation book is designed for the installer or individual with an existing understanding of automotive electrical systems, along with the ability to test and connect wires for proper operation. To ease installation, we suggest that you READ THIS MANUAL before beginning your installation. This book is provided as a GENERAL GUIDELINE and the information contained herein may differ from your vehicle.***

**TECH SUPPORT**  
**Mon-Fri 8:00 AM-4:30 PM Pacific Time**  
**(800) 998-6880**

This device complies with FCC Rules part 15. Operation is subject to the following two conditions: 1) This device may not cause interference, and (2) this device must accept any interference that may be received, including interference that may cause undesired operation. The manufacturer is not responsible for any radio or TV interference caused by unauthorized modification to this equipment. Such modification could void the user's authority to operate the equipment.

REV. A 2-15-2006

# TABLE OF CONTENTS

<i>Installation Cautions &amp; Warnings.....</i>	<i>2</i>
<i>Control Module &amp; Component Mounting .....</i>	<i>3</i>
<i>Wiring (LED, PROGRAM BUTTON AND SHOCK SENSOR page 5-6).....</i>	<i>3-6</i>
<i>Power Door Lock Wiring.....</i>	<i>6-7</i>
<i>Data Port Diagram .....</i>	<i>8</i>
<i>Transmitter Programming (2<sup>nd</sup> Vehicle programming).....</i>	<i>9</i>
<i>Option Programming.....</i>	<i>10-12</i>
<i>Programmable Option Reset .....</i>	<i>13</i>
<i>Custom Personal Override Code .....</i>	<i>13</i>
<i>Operating Instructions (Sidekick Remote and 2-Way LCD Quick guide Functions page 15-16) .....</i>	<i>14-19</i>
<i>Car Jack Protection Features .....</i>	<i>20</i>
<i>Antenna Diagram.....</i>	<i>21</i>
<i>Wiring Diagram.....</i>	<i>22</i>
<i>Low Battery warning.. ..</i>	<i>23</i>

## INSTALLATION CAUTIONS & WARNINGS

**BEFORE BEGINNING**, check all vehicle manufacturer cautions and warnings regarding electrical service (AIR BAGS, ABS BRAKES, ENGINE COMPUTERS, BATTERY etc.).

**WE RECOMMEND** the use of a VOLT/OHM METER to test and verify wiring circuits. Test lights or illuminated probes can cause damage to on-board computer or engine management systems.

**DO NOT** exceed maximum output ratings.

**WE RECOMMEND** that the **MAIN SYSTEM FUSE** be **REMOVED** before jump starting, using a battery charger, or changing the battery. A voltage surge or high boost condition could damage alarm circuits.

**DO NOT ROUTE ANY WIRING THAT MAY BECOME ENTANGLED** with brake, and gas pedals, steering column, or any other moving parts in the vehicle.

## CONTROL MODULE & COMPONENT MOUNTING

**DO NOT Mount the control unit in the engine compartment or where the control unit or wiring harness where they can become entangled with moving parts such as brake/gas/clutch pedals, or the steering column!** The alarm control module should be mounted in a concealed location. The Placement of the module will affect the distance from which the remote transmitter can control the unit. The antenna wire should be routed away from any metal if possible. Do not alter the length of the antenna wire or route it with other wires. Do not ground the antenna wire. Fasten the module to a bracket or wire harness using the cable ties provided. Under dash Mounting: If you are locating the control unit underdash, mount it as high as possible, not easily located by an intruder. Driver's Side Under dash mounting provides an easy location for wiring most of the system's connections, however this is a common location for an intruder to check for an alarm after breaking into the vehicle.

**SIREN:** Mount the siren under the hood to an inner fender-well, wheel-well, or other body surface with the open end facing downward. Run the red siren wire through the firewall using a rubber grommet. Ground the black to the body metal near the siren or you can use one of the siren's mounting screws for a ground.

**LED:** Mount the red LED in a visible location on the dashboard or console.

**Shock Sensor:** Mount the included shock sensor with wire ties to an under dash wire harness or fasten with screws to firewall or side paneling. Use the adjustment screw to set the sensitivity of the sensor. One screw adjusts both

**Valet/Programming Button:** Mount the Valet/Override/Program push-button in a hidden but accessible location. It is REQUIRED for emergency disarm, programming features and entering valet mode.

## WIRING

### **GREEN WIRE: (-) NEGATIVE DOOR TRIGGER**

Identify the wire that reads ground when any door is open and 12 volts when all doors are closed. Some vehicles may have isolated door triggers. In this case you may need to run additional wires from other doors or go directly to the wire that triggers the vehicle's interior dome light. Sometimes newer vehicles contain a separate body control module (BCM) where the door trigger circuit can be located. One vehicle will not require the use of BOTH door trigger wires.

### **VIOLET WIRE: (+) POSITIVE DOOR TRIGGER**

Same as the GREEN wire above except this wire is used for vehicles that show a positive voltage (12 volts) when the door is open and a ground when doors are closed as in many Ford, Lincoln, and Mercury vehicles.

# WIRING

## **BLACK WIRE: SYSTEM CHASSIS GROUND**

The Black wire **MUST** be connected the CHASSIS METAL of the vehicle. Scrape away any paint or debris from the connection point and use a star washer to ensure a good connection. Keep the ground wire short.

## **YELLOW WIRE: IGNITION SWITCHED “ON” AND “START” +12 VOLTS**

Connect to an IGNITION wire (or fuse in the fuse box) that shows +12 Volts when the key in both “On” and “Start” (WHEN CRANKING) positions.

## **GRAY WIRE: (-) NEGATIVE AUX REMOTE OUTPUT 1 (Optional, may require a relay)**

Connect to the Negative trunk release circuit or to the activation circuit of an auxiliary module or device. If the circuit requires +12V, then a relay is required. RELAY WIRING: Connect the Gray wire to terminal 85, connect relay terminals 86 and 87 to +12V constant power. Connect terminal 30 of the relay to the +12V positive device/circuit to be activated.

## **BLUE WIRE: (-) NEGATIVE HOOD/TRUNK TRIGGER (Optional)**

Input trigger for a grounding hood or trunk pin switch. Connect to existing hood and trunk pin switches that read ground when open. If no existing switches are available, install new pin switches if desired. Note: DO NOT mount new pin switches in water pathways.

## **BLACK/WHITE WIRE: (-) NEGATIVE DOME LIGHT ILLUMINATION OUTPUT (Optional, requires a relay)**

This wire provides a (-) negative ground when the system is disarmed to activate a vehicles dome light circuit. We recommend the use of a relay for this connection. Connect Black/White to terminal #85 of relay. Connect terminal #86 to fused constant +12V. Connect terminal #87 to a +12V constant or ground source depending on the type of dome light circuit in the vehicle. Connect Terminal #30 to the dome light circuit in the vehicle.

## **BROWN/WHITE WIRE: (-) NEGATIVE HORN PULSE / CHIRP OUTPUT (Optional, may require a relay)**

Connect to the Negative Horn Trigger wire usually located near the steering column. If the vehicle horn circuit requires +12V, then a relay is required.

## **ORANGE WIRE: (-) NEGATIVE ARMED OUTPUT (500mA Ground, Optional)**

This wire becomes a constant Ground output when system is armed. This output can be used to activate optional devices such as extra sensors, LED's, window roll-up modules, voice modules etc.

## **WHITE/RED WIRE: (-) NEGATIVE AUX REMOTE OUTPUT 2 (Optional, may require a relay)**

This wire connects the same way as Remote Output 1 see GRAY WIRE description above.

# WIRING

## **BLUE/WHITE WIRE: NOT USE**

## **BROWN WIRE: (+) SIREN OUTPUT (3 Amp Max.)**

Connect to RED siren wire from the Siren in the engine compartment.

## **WHITE WIRE: +12V FLASHING PARKING LIGHT OUTPUT**

Connect to the switched parking light wire at back of light switch. If this is not possible, connect directly to one of the parking lights at the front of the vehicle. European vehicles require separate right and left circuits. Use a dual relay or 2 diodes to separate the output signal.

## **RED WIRE: +12V POWER INPUT (15 amp fuse)**

Connect to +12 Volt source with supplied fuse & holder. Recommended location for this connection is at the vehicle battery positive terminal.

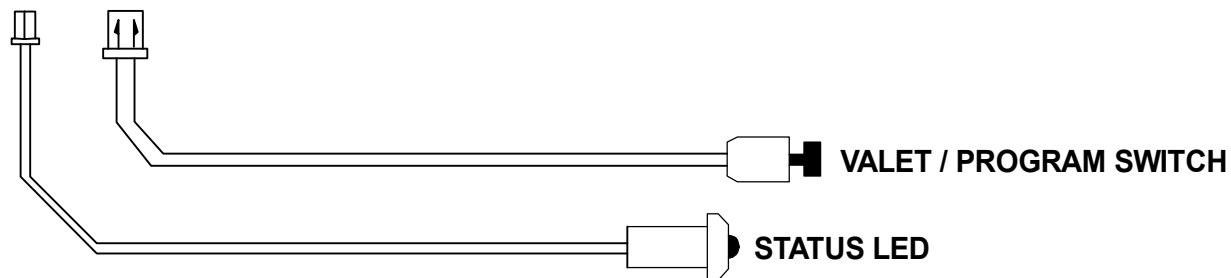
# WIRING: PROGRAM/OVERRIDE SWITCH AND LED

## **PROGRAM/OVERRIDE SWITCH: 2 PIN PLUG (REQUIRED FOR PROGRAMMING & LEARNING REMOTES)**

This switch is used for programming features, transmitters, valet mode, and to override the optional starter disable (if installed) in the event of a non-operating remote control.

## **LED: 2 PIN PLUG (OPTIONAL)**

The LED is used as a VALET/PROGRAMMING indicator and it will also FLASH for use as security deterrent when Remotely Locking the door.

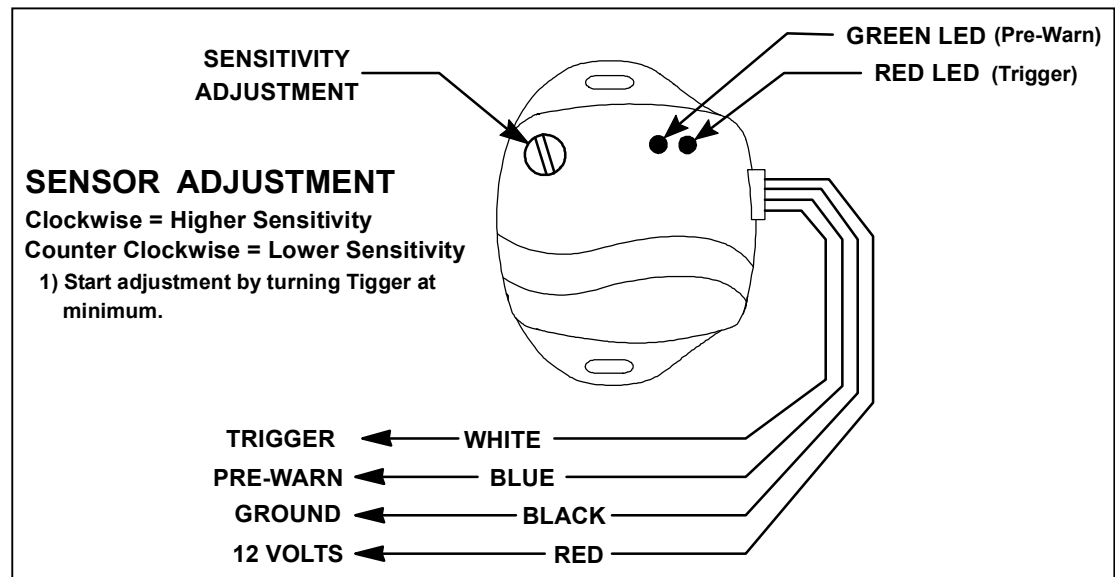


## WIRING: SHOCK SENSOR

### 4 PIN SENSOR PLUG/HARNESS (BLUE):

White Wire: Negative Trigger  
Blue Wire: Negative Warn-away  
Black Wire: Sensor Ground  
Red Wire Sensor Power

**SHOCK SENSOR:** The sensor supplied with this system does not require any additional wiring. Simply mount the sensor in a suitable location, plug it in, and adjust the sensitivity. There are 2 LED's on the shock sensor to assist you in adjusting sensitivity. The Green LED indicates the "Warn Away" level and the Red LED indicates a full alarm shock sensor violation.



## POWER DOOR LOCK WIRING

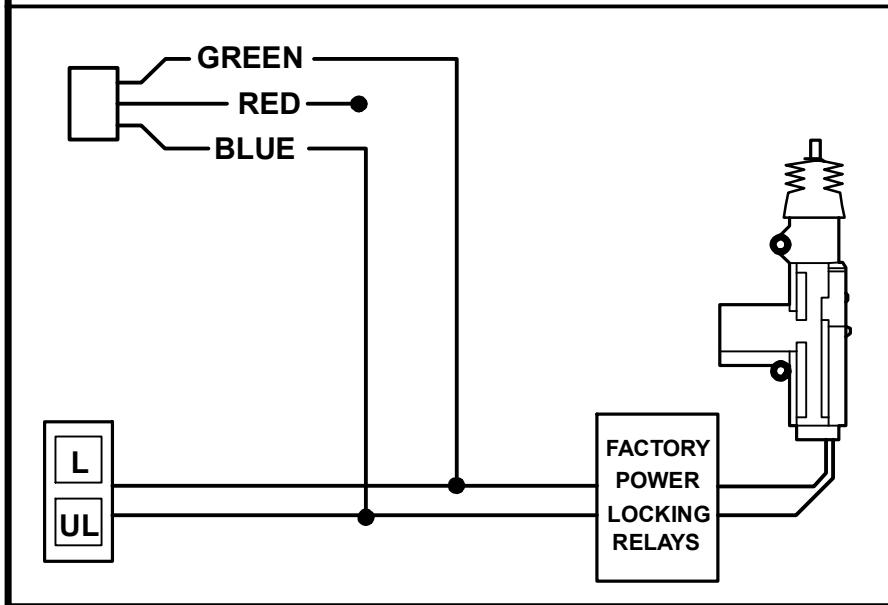
### 3 PIN DOOR LOCK PLUG (Optional):

**GREEN:** (-) Negative pulse for LOCK  
**RED:** +12V Coil Power for using relays.  
**BLUE:** (-) Negative pulse for UNLOCK

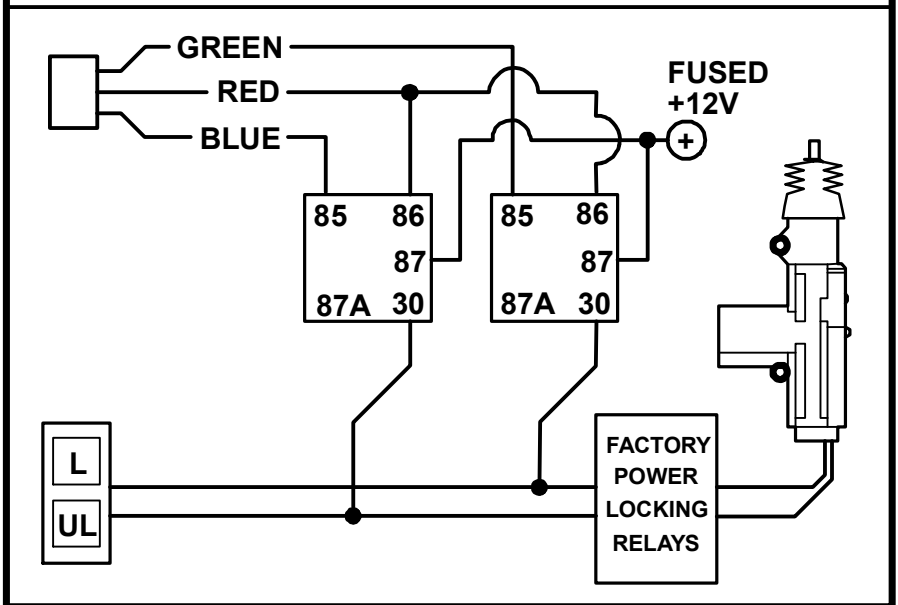
**Hint:** Determine the type of locking system the vehicle has before connecting any wires. Incorrect connection could result in damage to the alarm and/or the vehicle's locking system. Some vehicles are equipped with Class 2 DATA door locks systems which require a bypass module to control the door locks. Please refer to vehicle wiring color chart which is supplied via TechWeb (basic service) for authorized dealers.

# POWER DOOR LOCK WIRING

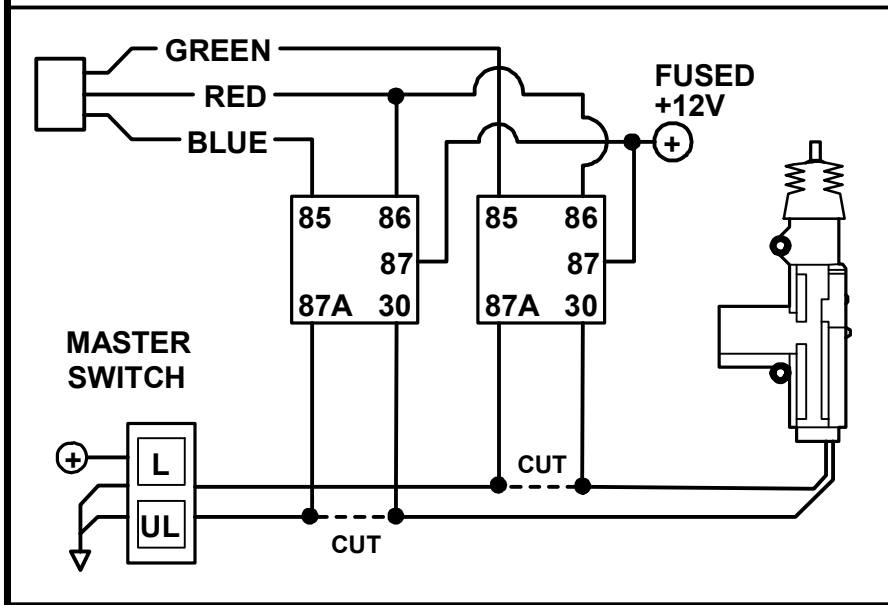
## NEGATIVE TRIGGER DOORLOCK WIRING



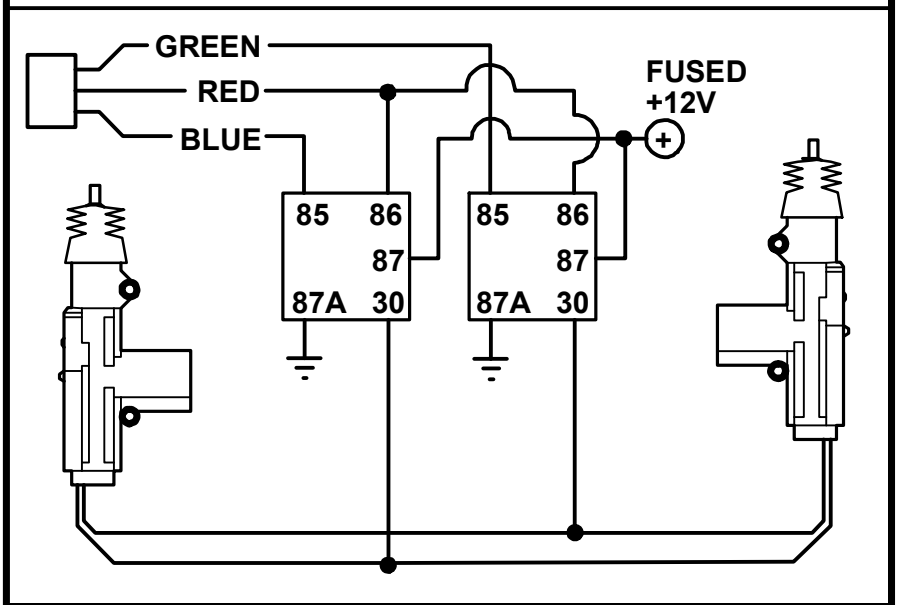
## POSITIVE TRIGGER DOORLOCK WIRING



## REVERSE POLARITY DOOR LOCK WIRING



## AFTERMARKET MOTOR/DOOR LOCK WIRING

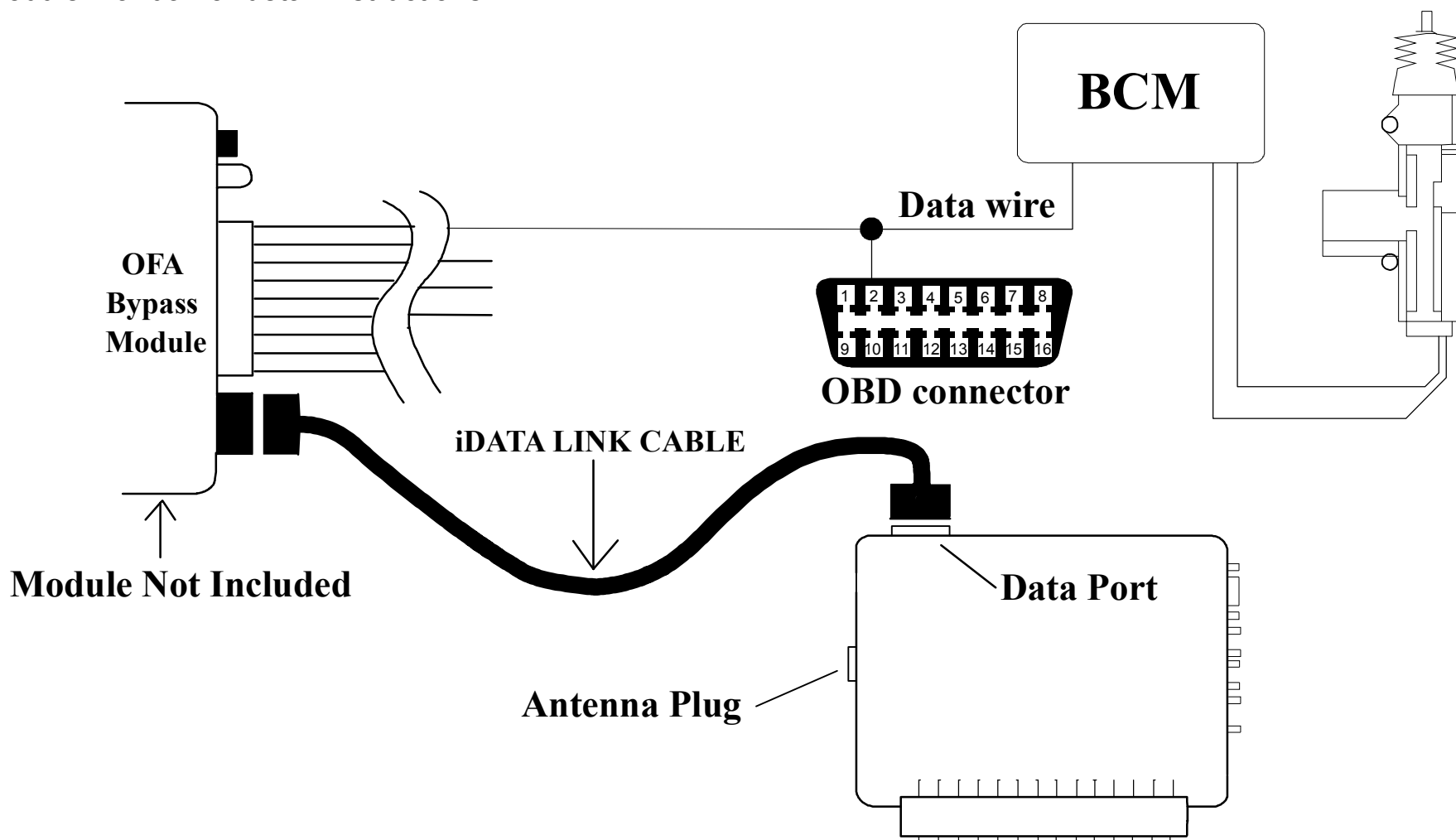


# DATA PORT DIAGRAM

## Data bus Systems: Data Controlled door locks, Factory Security and many accessories

Data bus systems send low current "Data messages" to the door lock controllers, BCM, and Factory security in order to lock and unlock doors, Bypass factory security system and much more. To install aftermarket systems in these vehicles, an interface module such as an OFA 10/20/30 is required to Interface with these systems. Please see Data Port Diagram below.

This unit includes DP Technology it will allow you to plug our modules (model OFA-10/20/30) which operate Data control Door locks, accessories, and Bypass Factory security systems directly into the unit by via Data Port. The OFA module cable plugs directly to the Data port on the side of the unit. Please refer to OFA module manual for detail instructions.

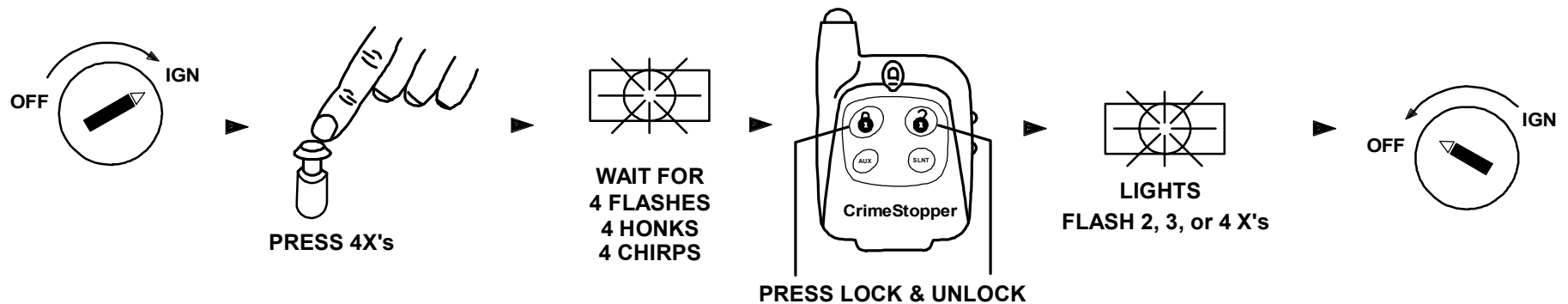




# TRANSMITTER PROGRAMMING

NOTE: All transmitters must be learned at the time of programming. This system can learn up to 4 remotes.

1. Turn key to the ON position and press program button 4 times.
2. After a short delay, the unit will flash the parking lights 4 times, Siren 4 times, Horn 4 times and status LED will be on solid.
3. Press the Button #1 (Lock) AND Button #2 (Unlock) together on the remote you wish to program.
4. You should get 2 light flashes, 2 siren chirps and 2 horn honks (optional) indicating the unit is waiting for the second code to learn. Press button #1 and #2 together of a second transmitter, the unit will flash 3 times, 3 siren chirps and 3 horn honks. Press the lock and unlock button on a 3<sup>rd</sup> or 4<sup>th</sup> transmitter for up to 4 total. Note: The unit will not flash the lights when learning the 4<sup>th</sup> code. Turn key off to exit programming mode.



## 2 VEHICLE TRANSMITTER PROGRAMMING

### **PROGRAMMING SECOND VEHICLE:**

See diagram on page 14 on how to use your remote for vehicle #2 operation. To set up your remote, follow the "Transmitter Programming" steps 1 and 2 (above) In step #3 press the side button on YOUR remote first, for 2-way press and hold for side button until the "2" icon show on the remote, then press the Lock and Unlock button. Your lights should flash indicating the remote is programming. Turn key off to exit programming mode. Your vehicle should now be programmed for the second vehicle.

NOTE: Your original transmitters must be learned at the time of programming for second vehicle. This system can learn up to 4 remotes.

# OPTION PROGRAMMING

1. Turn the Ignition ON and press the Override/Program button 5 times.
2. After a short delay, the parking lights will flash 5 times, Siren 5 times, Horn 5 times and status LED will be on solid.
3. Within the next few seconds, press the Override/Program button [again] the number of times that corresponds to the options chart below. Siren and/or optional horn should chirp for each press.
4. When you get to the desired option number, quickly press the appropriate button on the remote control according to the chart below. The system will provide 1 chirp/flash for Button 1 (Lock Symbol) and 2 chirps/flashes for button 2, 3 for Button #3 and 4 for button #4. (See Chart below for option descriptions and values.)
5. Turn Ignition off. System chirps and flashes the lights 3 times on exit. When you are finished customizing options, check operation.

## PROGRAMMING OPTIONS CHART

\* = Default Setting

Option #	Option Description	BUTTON 1 LOCK	BUTTON 2 UNLOCK	BUTTON 3 AUX	BUTTON 4 SILENT
1.	Factory Horn Chirps / Pulses	Pulse with trip only	Arm/Disarm Chirps & Pulse with trip	Arm/Disarm/Warn Chirp & Pulse w/ trip *	
2.	Passive Arming ON & OFF Passive Chirp Countdown	Ignition & Last Door	OFF*	Ignition & Last Door w/ Chirp Countdown	Last Door Only
3.	Passive Lock / Cust. Override	ON	OFF*	Custom Override	
4.	Ignition controlled Locks	ON*	OFF	Ignition Lock Only	
5.	10/60 Sec. Door Open Warning	5 Seconds	60 Seconds*		
6.	Active Re-Arm (30 Sec.)	ON*	OFF		
7.	Double Unlock Pulse	OFF*	ON		
8.	Silent Arm/Disarm (Chirp Defeat w/button 1 or 2)	OFF*	ON		
9.	Parking Lights on with disarm	ON*	OFF		
10.	Disarm with trunk pop	OFF	ON*		
11.	N/A	N/A	N/A		
12.	Door Lock Pulse Time	0.7 Sec.*	3 Sec.		
13.	Type of Carjack Protection	ACTIVE*	PASSIVE	FULL-TIME	
14.	Carjack Enable/Disable	DISABLE*	ENABLE		
15.	Arm/Disarm with IGN on (Does NOT Override Full time Carjack function)	DISABLED*	ENABLE**		

# OPTION PROGRAMMING

## 1. HORN CHIRPS / PULSES

This option controls the system's Factory Vehicle Horn output. There are 3 selections: Button 1 (Lock) = Horn Pulse only when alarm is tripped. Button 2 (Unlock) = Horn Chirps for Arm / Disarm and Pulse when tripped. Button 3 (Trunk) = Horn Chirps for Arm, Disarm, and Pre-warning protection. All settings provide horn pulses when triggered.

## 2. PASSIVE ARMING / CHIRP COUNTDOWN

This option controls the Passive (Automatic) Arming feature. If ON, arming will occur 30 Seconds after the ignition is turned off and the last door has been closed. The LED will begin flashing rapidly while counting down. If a door is reopened, the system will wait (LED solid) for the door or zone to close before arming. The unit will chirp once and flash the lights once. Doors will lock if passive locking is selected. Factory default setting is OFF. If Passive Chirp countdown is selected, the System will produce a siren chirp every 2 seconds during countdown until the system arms.

## 3. PASSIVE LOCKS / CUSTOM OVERRRIDE (ALSO SEE CUSTOM OVERRRIDE SECTION, PAGE 13)

**PASSIVE LOCKS:** This option controls whether the doors will lock when Passive Arming occurs. Note: May increase the risk of locking keys in the vehicle. When selected ON the alarm will passively lock the doors when passive arming.

## 4. IGNITION-CONTROLLED LOCKS

This option controls whether the locks are controlled by Ignition. There are 3 selections: Button 1 (Lock) = Lock/Unlock with vehicle Ignition. Button 2 (Unlock) = No ignition locks. Button 3 (Trunk) = Ignition lock only. *Doors will not lock if they are open to prevent locking the keys in.*

## 5. DOOR OPEN WARNING (10 or 60 Seconds)

This setting changes the delay time in which the alarm system begins to monitor the Door circuit. This option can prevent the alarm from giving warning chirps on vehicles with a delayed dome light.

## 6. ACTIVE RE-ARMING

Active Re-arming allows the system to re-arm itself 30 seconds after disarmed with the transmitter if a door has not been opened. This is handy if the vehicle is accidentally disarmed (via the Transmitter in your pocket) without you knowing it. If Chirp Countdown selected the system will chirp every 2 seconds during the 30-second count down to active re-arming. Note: Active re-arm is reset by dome light illumination. If you are using dome light illumination, active re-arm will not function.

# OPTION PROGRAMMING

## 7. DOUBLE UNLOCK PULSE

With this feature enabled, the unit will send 2 unlock pulses when the #2 Unlock button is pressed. 2 pulses are required for interfacing into some existing Factory Keyless Entry or Alarm systems on vehicles such as Nissan, VW, Toyota, and Lexus vehicles.

## 8. SILENT ARMING /DISARMING (CHIRP DEFEAT)

With this feature, the system can be Arm and Disarm without the siren chirp using the Silent Button #4. Flashing parking lights will be the only Arm/Disarm confirmation.

## 9. PARKING LIGHTS ON WITH DISARM

Keeps parking lights on instead of 2 flashes when system is disarmed to assist in locating your vehicle in a crowded parking lot or structure. Light will stay on for 30 Sec. or until Ignition is turned on.

## 10. DISARM WITH AUX. OUTPUT 1 (TRUNK POP)

Controls whether the system will or will not DISARM when the trunk pop or AUX. feature is used. When the feature is turned on the unit will DISARM when opening trunk or using an auxiliary device controlled by the Gray output wire.

## 11. N/A, NO OPTION

## 12. DOOR LOCK/UNLOCK PULSE TIME

Controls the amount of time (0.75 sec. or 3 sec.) for the lock/unlock pulse. The 3 sec. setting may be required for 1980'/90's European Vehicles that require a long pulse to do Vacuum door lock systems.

## 13. ACTIVE, PASSIVE, or FULL-TIME CARJACK PROTECTION

This feature controls the type of Carjack protection the alarm will provide. There are 3 selections: Button 1 (Lock) = Active protection. Button 2 (Unlock) = Passive protection. Button 3 (Trunk) = Full-Time protection. Option number 14 must be enabled to allow Carjack functions to operate. See Carjack Protection features.

## 14. CARJACK FEATURES

This option controls the unit's Car Jack features. Enable or Disable Carjack (Turn ON or OFF) with this option.

## 15. ARM/DISARM WITH IGNITION ON

This option controls whether the unit will allow arming and disarm using the remote when the ignition is on (or vehicle is running). This program option may need to be enabled when using an Add-on remote starter to allow the alarm to be armed or disarmed after remote engine starting. Note that you cannot use this feature if you are also using the Full-time carjack protection. If you add a remote start and the Ignition turns on, a Carjack trigger will be activated.

## PROGRAMMABLE OPTION RESET

Follow the steps below to reset ALL OPTION VALUES ON PAGE 10 TO FACTORY DEFAULT SETTINGS.

1. Turn the Ignition ON and press the Override/Program button 5 times. You should see 5 light flashes and 5 chirps.
2. Immediately press Button #3 (Trunk) on the remote.
3. The siren will chirp 4 times and lights will flash 4 times.
4. Turn off ignition and all programming options should be restored to \* values.

## CUSTOM PERSONAL OVERRIDE CODE

Custom override allows the user to set a specific number of button presses (2-15) required to perform an emergency override/disarm of the alarm system. This increases the level of security of the system, but you **MUST MEMORIZE** how many button presses you have changed your system to use or the unit will not disarm in an emergency.

1. Enter programming mode. (See step #1 on page 10)
2. Press program button three times to go to option #3 "Passive Locks/Custom Override".
3. Press the Button #3 (TRUNK) on the remote transmitter.
4. Press and release the program again the number of times you desire in order to perform emergency disarm on this alarm system. Press the program button 2-15 times only. You need to wait for the siren and/or horn to chirp/honk the same number of times you pressed the program button to confirm.

To test feature: Trip the alarm system, turn key ON, press the program/valet button 2-15 times as programmed above then continue to **HOLD DOWN** valet button on the **LAST PRESS** for 5 seconds. Alarm should disarm. If system does not disarm, then disarm with the remote transmitter and try again. If system still does not disarm or you have forgotten your custom code, then you must use your remote control to disarm the system

### **CAUTIONARY NOTE!**

If you set up this feature and forget your special code, there is no way to disarm the system other than the remote control.

***TO CANCEL CUSTOM OVERRIDE CODE follow the Programmable Option Reset steps in the above section.***

# OPERATING INSTRUCTIONS (REMOTE OPERATIONS)

## ONE WAY SIDEKICK REMOTE:

The transmitter supplied with the CS-2000DP-TW2 system has four buttons. The button configuration of the CS-2000DP-TW2 is Factory-set and unchangeable. See second vehicle operation for additional information on how to use your remote to operate a second vehicle equipped with a OnGuard system.

## BUTTON FUNCTIONS

### BUTTON 1 (Lock Symbol):

- Press & release to Arm/Lock system.
- Press & Hold for more than 3 sec. to activate "Panic" feature.
- When ignition on – door locks.

### BUTTON 2 (Unlock Symbol):

- Press & release to Disarm/Unlock system, or reset a cycle.
- When ignition on – door unlocks.

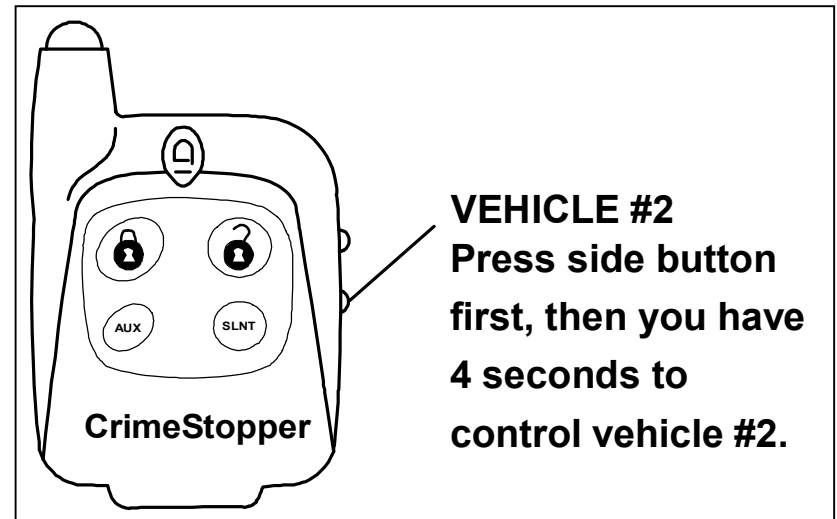
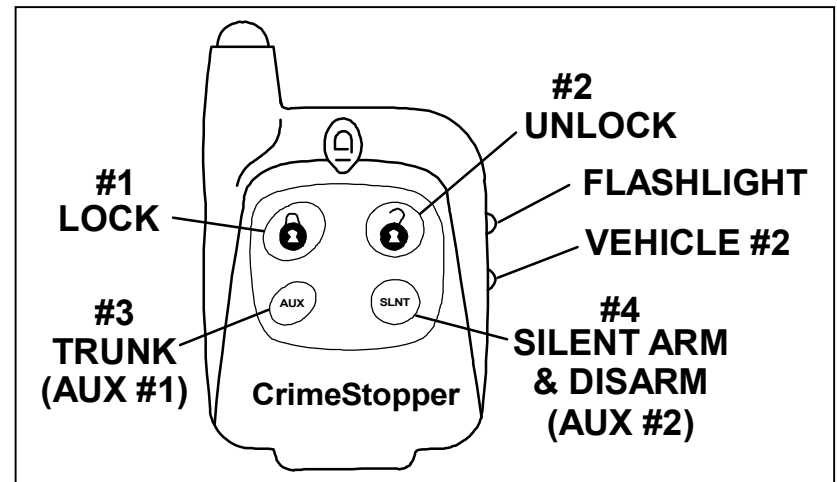
### BUTTON 3 (Trunk Symbol):

- Press & Release to activate trunk pop (Aux. output #1)
- Press for 2 seconds for CarJack option 13 and 14 must be programmed.

### BUTTON 4 (Start Key Symbol):

- Press & release for silent arm/silent disarm.
- Press & hold for more than 3 seconds to activate Aux #2.
- When arming within 5 seconds press and hold for 2 seconds to sensor disable.

**2<sup>nd</sup> –VEHICLE Mode:** Your remote may have a push-button on the side for 2-car operation. Please read the following: Your remote must be programmed to the second vehicle first. Press the side button on your remote first, and within 3 seconds, press any of the 4 function buttons on your remote. You can keep pressing function buttons to control car #2 as long as it is within the 3-second window. After 3 seconds have elapsed, the remote will revert back to Car #1 control



# OPERATION INSTRUCTIONS (TRANSCIVER / PAGER-REMOTE)

## PAGER / REMOTE TRANSCIVER:

The hand-held remote transceiver is used to send and receive information from the vehicle. The Control Module transmits High Frequency AM/FM signals from the vehicle to your over long distances. Your range will vary depending on location, terrain, and local RF noise/interference. This system is not guaranteed to page you if you are behind concrete walls, underground, in a large structure, or in an area with high levels of electronic interference. Handle the pager/remote with care if the LCD display and/or the electronics may be damaged if subjected to abuse. The AAA Cell 1.5V alkaline battery can easily be replaced by sliding open the battery access door on the back of the remote. Battery life will vary depending on usage. The LCD screen will display a low battery icon when the battery is low.

## BUTTON FUNCTIONS

### **BUTTON 1 (Lock Symbol):**

- Press and release to Arm/Lock system.
- Press and Hold for more than 3 seconds to activate "Panic" feature.
- When ignition on – door locks.

### **BUTTON 2 (Unlock Symbol):**

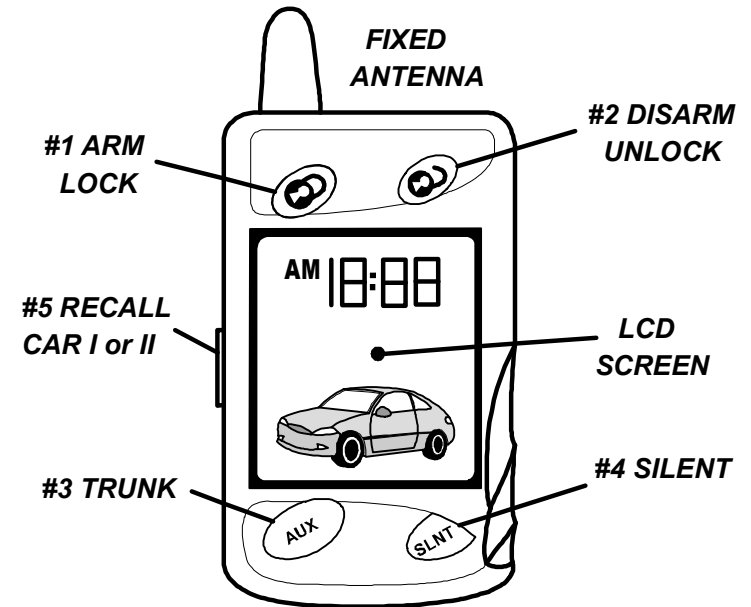
- Press and release to Disarm/Unlock system, or reset a cycle.
- When ignition on – door unlocks.

### **BUTTON 3 (Trunk Symbol):**

- Press and Release to activate trunk pop (Auxiliary output #1)
- Press for 2 seconds for CarJack option 13 and 14 must be programmed.

### **BUTTON 4 (Start Key Symbol):**

- Press and release for silent arm/silent disarm.
- Press and hold for more than 3 seconds to activate Aux #2.
- When arming within 5 Seconds press and hold for 2 seconds to disable sensor.

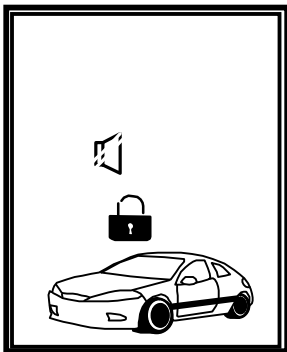


LCD 2-Way Pager

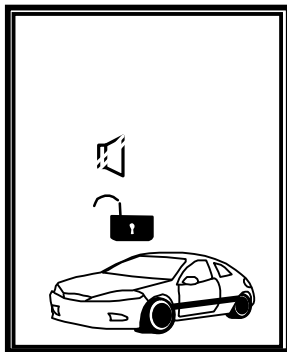
### **BUTTON 5 (On side of remote):**

- Press and release to light up the LCD screen.
- Press and release twice to recall the last message from the LCD screen.
- Press and Hold two seconds to change from Car 1 to Car 2 or Car 2 to Car 1.
- Press 5 times to change the Time and audible beep tones

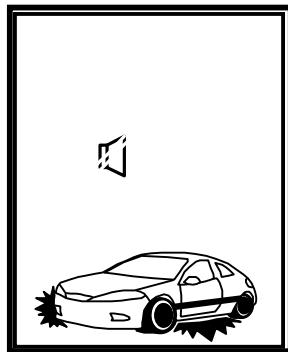
## OPERATION INSTRUCTIONS (LCD PANEL FUNCTIONS SHOWN)



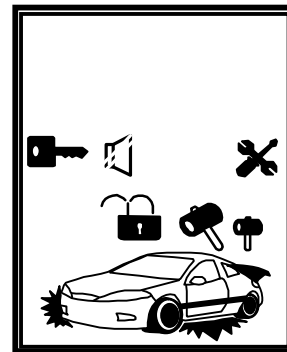
ARM



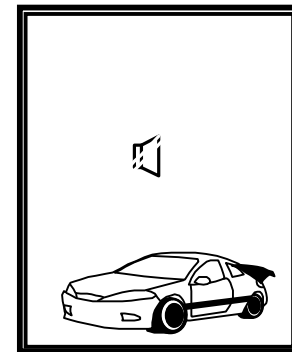
DISARM



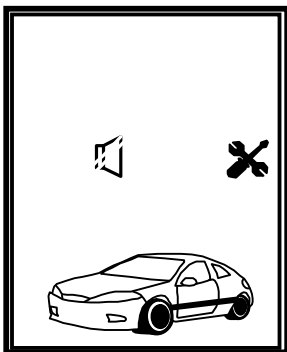
DOOR OPEN (FLASH)



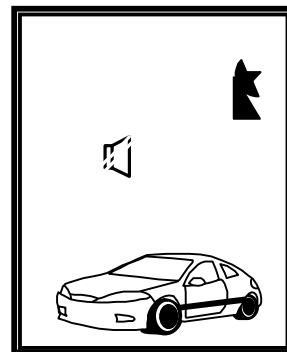
PANIC (FLASH)  
CAR JACK



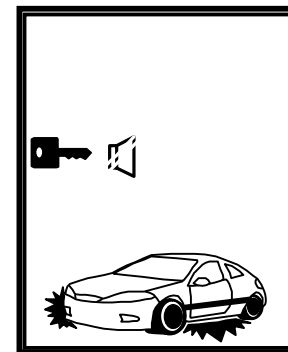
1<sup>ST</sup> AUX. OUTPUT TRUNK  
POP (FLASH) (OR HOOD  
OPEN)



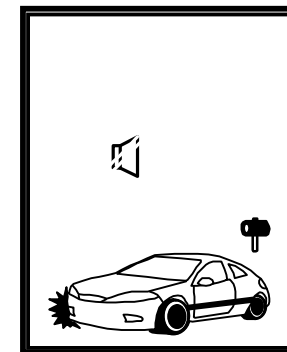
VALET



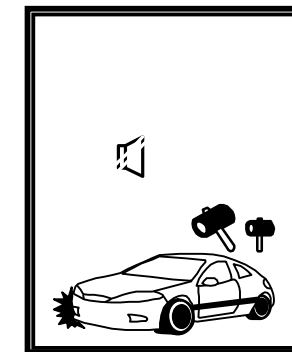
DATA TRANSLATE



IGN TRIGGER (FLASH)



WARN AWAY (FLASH)



SHOCK SENSOR (FLASH)

## SETTING THE CLOCK (2-WAY – LCD REMOTE)

1. Press button #5 (recall) on the side of the remote control 5 times.
2. The remote will beep and the AM or PM display will begin flashing.
3. Press button #3 (trunk) to go to the next item AM – PM – Hour – Minutes.
4. Press button #1 (lock) to increase time.
5. Press button #2 (unlock) to decrease time.
6. Press button #4 (start) to disable or enable beep.
7. Press button #5 (recall) to exit setup or wait 7 seconds, the LCD light will turn off.



# OPERATION INSTRUCTIONS

## ACTIVE ARMING

To arm the alarm and lock the doors, press the #1 (Lock Symbol) button on the transmitter. You will hear a single siren chirp and the lights will flash once. The system will arm, the doors will lock and the starter will be disabled if these optional features are installed. The red LED in the vehicle will start flashing after 5 seconds. After a short delay to allow vehicle and electronics to stabilize the system will be completely armed.

## ALARM TRIGGERING

If there is an intrusion into the vehicle or hard impact to the body will sound the alarm and flash the lights for 45 seconds. After 45 seconds the system will automatically shut off and re-arm to continue to protect the vehicle. If a door is left open, the unit will cycle a second time and still continue to protect the other un-tampered zones.

## DISARMING

Press the #2 (Unlock) button on the transmitter to disarm the alarm. You will hear 2 siren chirps and the lights will flash twice. The LED stops flashing. Door will unlock and dome light will turn on if the options are installed.

## TRUNK/HATCH POP (REMOTE AUX. OUTPUT 1, OPTIONAL)

To pop the trunk (if optional feature is installed), press and release Button #3 (Trunk Symbol) on the transmitter. *If the system is armed, pressing Button #3 may or may not trip the alarm system when opening the trunk depending on programming option (10). See programming option chart for more details.*

## REMOTE PANIC PROTECTION

To sound the alarm upon command (panic), press and hold the Button #1 (Panic) for at least 3 seconds until the siren sounds. Press Button #2 (Unlock) to reset panic mode.

## PRE-WARNING SHOCK PROTECTION & SENSOR ADJUSTMENT

If a low-level shock to the vehicle is detected, pre-warning protection will activate sounding 5 quick siren chirps and 1 light flash. If a hard impact is detected the shock sensor should trip the alarm system. Once it is mounted, adjust the sensor as needed by turning the adjustment screws clockwise to increase or counter-clockwise to decrease the sensitivity. The sensor is also equipped with 2 small indicator lights to ease the adjustment process. Green light = Pre-warning disturbance (6 siren chirps). Red light = A full alarm trip.

# OPERATING INSTRUCTIONS

## **SELECTIVE SILENT ARM/DISARM THROUGH REMOTE CONTROL**

This system can be armed and disarmed without siren chirps on an “as needed” basis. Press and release Button #4 for arm/disarm without siren chirps.

## **PROGRAMMABLE SILENT ARM/DISARM MODE (CHIRP DEFEAT)**

The system can be silently armed and disarmed as normal with Lock/Unlock Buttons, but no siren chirp. See alarm programming option (#8) to enable or disable this feature.

## **EMERGENCY OVERRIDE / DISARM**

If you have lost the transmitter or it stops working for any reason and the Alarm is armed, you will have to open the door with the key, which will activate the alarm. Turn the ignition on and press the override/program button for about 5 seconds (until siren stops). The Alarm will disarm. If you continue to hold the button for additional 7 seconds, the system will enter the Valet mode.

## **EMERGENCY DISARM WITH CUSTOM OVERRIDE**

If you have programmed your system for Custom Override, follow the same steps above (Emergency Override) while pressing the valet button 2-15 times as you have programmed. You must continue to hold the button down on the last press for 5 seconds. The Alarm will disarm and enter the Valet mode, which allows you to use the vehicle until you can repair/replace the remote transmitter or have the alarm system checked.

## **VALET MODE**

To disable the Alarm system for vehicle service or otherwise, turn the ignition on and press the override/program button 4-5 seconds until the dash LED turns on solid and you hear (1) siren chirp. Repeat the process to exit VALET mode and the system will chirp (2) times and the LED will turn off. Lock/Unlock and AUX features will still operate in when in VALET mode. When performing an Emergency Override and you hold down the override button, the system is also placed into Valet mode. See Emergency Override section on previous page.

## **PASSIVE ARMING / PASSIVE LOCK MODES / PASSIVE CHIRP COUNTDOWN**

If programmed, passive (Automatic) Arming will occur 30 Seconds after the ignition is turned off and the last door has been closed. The LED will begin flashing rapidly while counting down. If a door is reopened, the system will wait (LED solid) for the door or zone to close before arming. The unit will chirp once and flash the lights once. Doors will lock if passive locking is selected. May qualify for insurance discounts-check with your agent or proprietor. When the Unit is programmed for Passive Chirp Countdown, the siren will chirp during passive countdown, as an audible warning that arming will occur. This siren will emit a chirp every 2 seconds as soon as the last door is closed until the system arms 30 seconds later.

# OPERATING INSTRUCTIONS

## **PRIOR INTRUSION ALERT**

If the system was tripped in your absence, the dash LED will be flashing rapidly. When the system is disarmed you will hear 3 chirps (and 3 light flashes). Carefully inspect your vehicle to see if there is any damage or a theft has occurred.

## **DOME LIGHT ILLUMINATION (OPTIONAL)**

This feature turns on the vehicles dome light upon disarm for 30 seconds or until the key is inserted and turned on. This will provide illuminated entry to your vehicle at night or in dimly lit areas for added safety and security. Note that dome light illumination will deactivate the active rearm feature if programmed for active rearm.

## **OPEN ZONE ALERT/BYPASS**

If the system detects a faulty or open zone (Door left open) when the system is ACTIVELY ARMED, the siren will chirp 4 times along with 4 light flashes. The faulty zone will be automatically bypassed.

## **IGNITION-CONTROLLED DOORLOCKS**

The doors will automatically lock when the ignition is turned on and will unlock when the ignition is turned off. This feature can be programmed on, off, or to lock the doors only. *Doors will not lock if they are open to prevent locking the keys in.*

## **ACTIVE RE-ARMING (FAIL-SAFE PROTECTION)**

Active Re-arming means that the system will re-arm itself 30 seconds after disarmed with the transmitter if a door has not yet been opened. This is handy if the vehicle is accidentally disarmed (via the transmitter in your pocket) without you knowing it. This feature can also be turned off in programming option (4). If programmed for Passive Chirp Countdown, the unit will emit a chirp every 2 seconds until the system Active Re-arms. Active rearm feature is disabled if you also have dome light illumination installed.

## **2<sup>nd</sup> AUX. OUTPUT (REMOTE AUX. OUTPUT 2)**

To activate the Second auxiliary output Press and hold Button #4 for 3 seconds to activate AUX. channel #2.

## **ARM/DISARM WITH IGNITION ON (PROGRAM OPTION #15)**

This feature allows the system to be armed or disarmed while the ignition is in the ON position or vehicle is running. The feature is disabled by default and should not be used under normal operating conditions. On an installation with an add-on remote start module, this option can be enabled to allow the system to be armed or disarmed when the vehicle has been remote started (Ignition will be ON). Note that you cannot use this feature if you are also using the Full-time carjack protection. If you add a remote start and the Ignition turns on, a Carjack trigger will be activated.

# CARJACK PROTECTION FEATURES

## ACTIVE CARJACK

This feature provides Active Carjack protection and must be enabled before use through Alarm programming option (14) See page 10. When the Ignition is on (vehicle is running), press and hold button #3 (AUX) for 3 seconds. Parking lights will flash TWICE to confirm the Carjack countdown sequence. LED begins to flash slowly. 90 Seconds later, the unit will begin a Carjack Cycle consisting of 25 seconds of pre-warning chirps turning into a full system activation with siren/flashing light pulses for up to 7 ½ min. To reset Active Carjack, IGNITION MUST BE ON, then press Button #2. Siren/Horn chirp, LED goes OFF, carjack is reset.

## PASSIVE CARJACK

This feature provides Passive Carjack protection and must be enabled before use through Alarm programming options (13) & (14). See page 10. We recommend this mode should only be used in serious situations. When the Ignition is on (vehicle is running), and a door is opened and closed, the Carjack countdown sequence will be initiated (lights flash twice & LED begins to flash). 90 Seconds later, the unit will begin a Carjack Cycle consisting of 25 seconds of pre-warning chirps turning into a full system activation with siren/flashing light pulses for up to 7 ½ min. To reset Passive Carjack, Ignition must be ON, doors must be closed, then press the override/program button (3) times. Siren chirps once, LED goes out, carjack is reset. NOTE: Active carjack can still be used when the Passive Type carjack is activated.

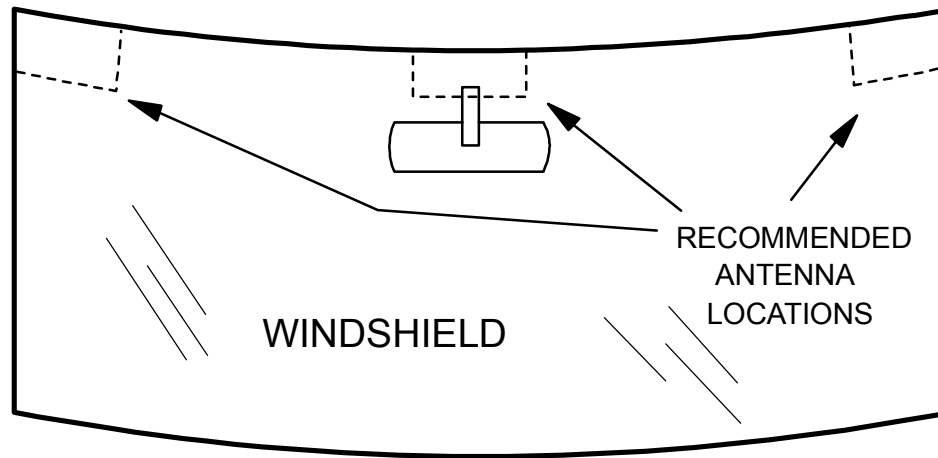
## FULL-TIME CARJACK

**ONLY USE THIS MODE WHEN THERE IS AN EXTREME TREAT OF A CARJACK WITH YOUR VEHICLE.**

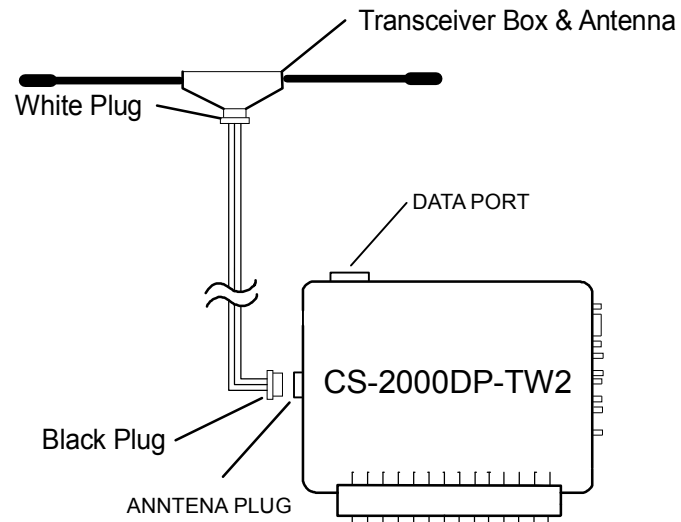
Full-time Carjack protection must be enabled before use through Alarm programming options (13) & (14). See page 10. EVERY TIME the Ignition is turned ON or a door is opened and closed with the Ignition ON, a Carjack countdown sequence will be initiated. 90 Seconds later, the unit will begin a Carjack Cycle consisting of 25 seconds of pre-warning chirps turning into a full system activation with siren/flashing light pulses for up to 7 ½ min. You must reset the unit every time the IGNITION is turned on or a door is opened and closed when the ignition is on. To reset Ignition must be ON, doors must be closed, then press override/program button (3) times.

**NOTE: When FULL TIME CARJACK is in effect, it must be reset every time the key is turned on, Door is opened, before entering VALET mode, and before Programming options or transmitters! It is always in effect each time the Ignition is turned on and/or a door is opened with Ignition on! If power becomes disconnected, then re-connected the Carjack Full-time carjack trigger will be active. Press the override button 3 times with the Key on the doors closed to reset.**

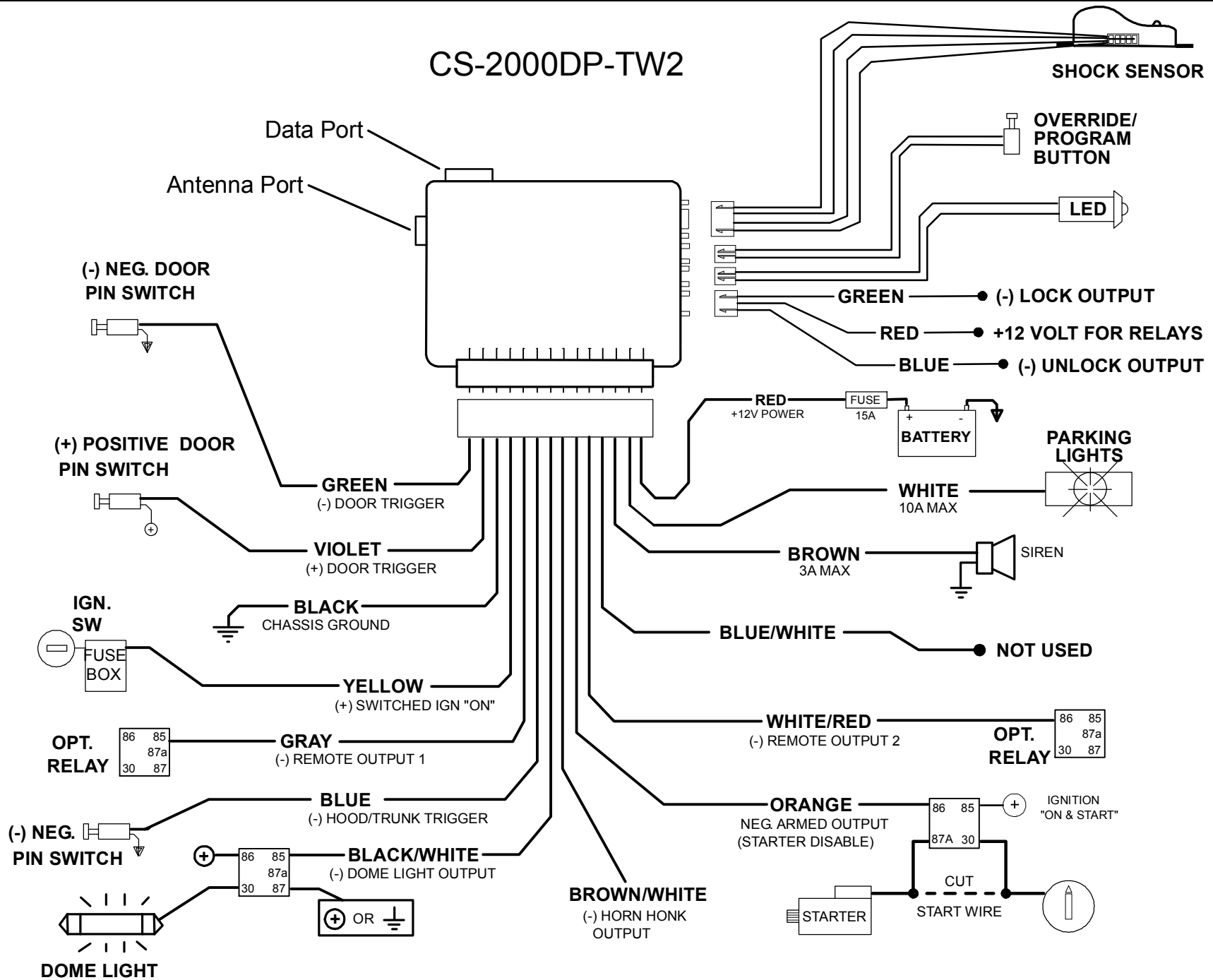
# ANTENNA DIAGRAM



## CS-2000DP-TW2 Antenna System



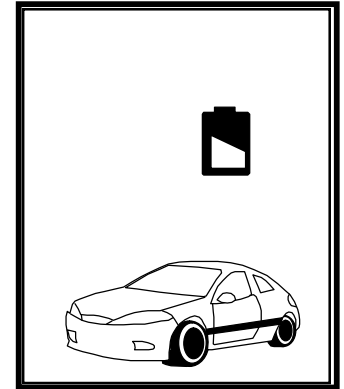
# WIRING DIAGRAM



## LOW BATTERY WARNING – LCD REMOTE

### LOW BATTERY WARNING

The CS-2000DP-TW2 LCD have a low battery warning system. When the battery voltage is low. The LCD pager remote will show a low voltage icon. We recommend replacing the battery for proper operation. To replace the battery, simply unlatch and slide open the battery door on the back of the remote. Carefully insert a new AAA battery using the outline on the bottom of the battery compartment as a guide. Your remote will beep 3 times & vibrate if the battery was inserted correctly. Otherwise, remove the battery and insert again.



## Replacing the Battery

### REPLACING THE BATTERY

To replace the battery simply unlock and slide to open the battery door on the back of LCD remote. Carefully remove the low battery. Then insert a new battery (AAA) using the outline on the bottom of the battery compartment as a guide.

**CRIMESTOPPER**

[www.crimestopper.com](http://www.crimestopper.com)  
[email@crimestopper.com](mailto:email@crimestopper.com)  
Phone (800) 998-6880  
FAX (805) 581-9500

© 2006 Crimestopper Security Products

**TechWeb**

ONLINE TECHNICAL SUPPORT  
[www.crimestopper.com](http://www.crimestopper.com)



## Free Manuals Download Website

<http://myh66.com>

<http://usermanuals.us>

<http://www.somanuals.com>

<http://www.4manuals.cc>

<http://www.manual-lib.com>

<http://www.404manual.com>

<http://www.luxmanual.com>

<http://aubethermostatmanual.com>

Golf course search by state

<http://golfingnear.com>

Email search by domain

<http://emailbydomain.com>

Auto manuals search

<http://auto.somanuals.com>

TV manuals search

<http://tv.somanuals.com>