



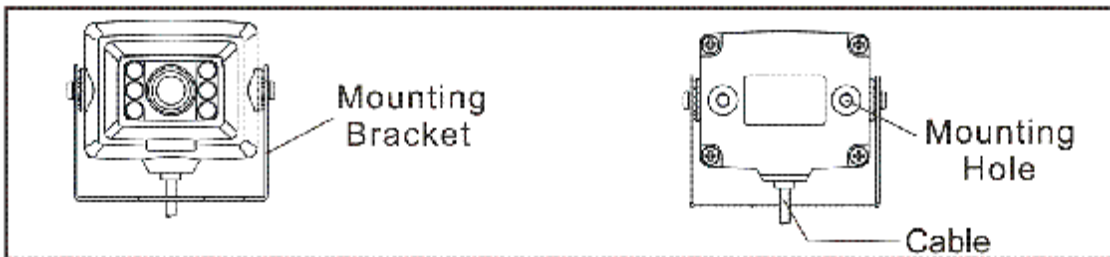
SV-6910 Color Camera Installation Manual



FEATURES:

- | High Resolution Color Camera**
- | Compact Zinc Alloy Die Cast Body**
- | Waterproof Housing**
- | Adjustable Mounting Angle**
- | Wide Angle Lens**
- | Infrared LED for Night Vision**
- | Reverse Image Selectable**

Camera View:



Cable Connector End View :

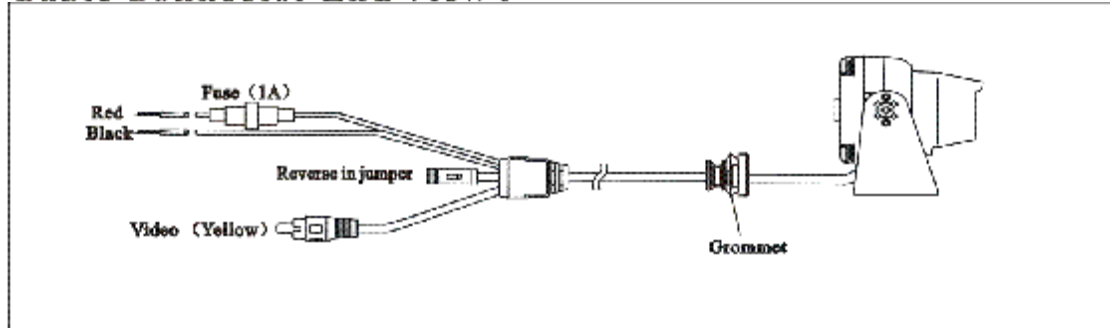


Figure 1

Camera Installation 1 (Viewing angle is adjustable)

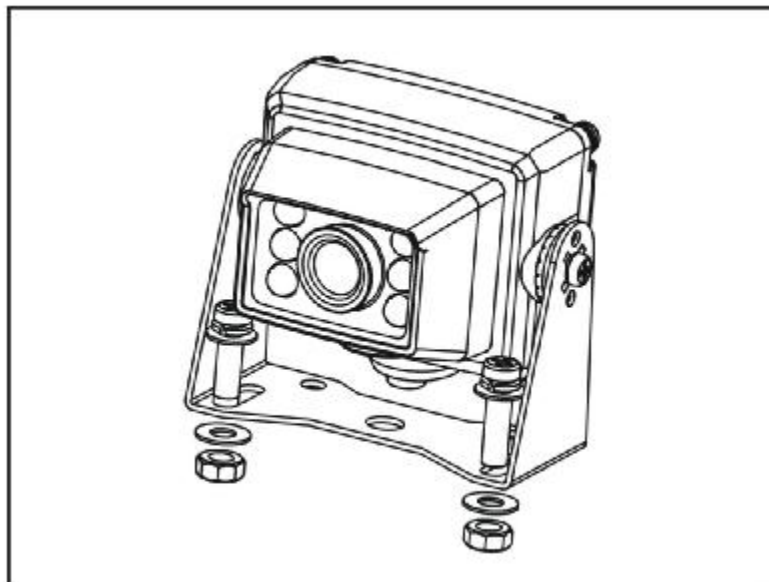


Figure 2

Installation 1:

1. Locate a suitable mounting location at rear of vehicle.
2. Use the supplied bracket to mark the mounting hole locations.
3. Drill two 3/16” holes for mounting hardware you are using. Drill a 11/16” hole in the cable location. Route the cable into the vehicle and then insert the Grommet to prevent water from pouring in.
4. Attach the camera-mounting bracket to the vehicle with the lens shroud on topside. If lens shroud is on the bottom, then the camera must be removed from the bracket and turned 180 degrees and then reattached to the bracket.
5. Route the camera cable towards display monitor.
6. Connect the camera cable to monitor.
7. Select camera image normal or mirror image by reverse image jumper. (Figure 1)

Camera Installation 2 (Viewing angle does not adjust)

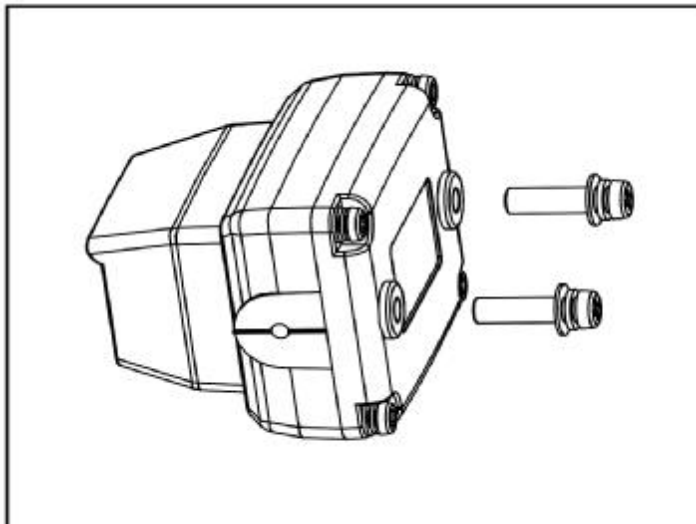


Figure 3

Installation 2:

1. Locate a suitable mounting location at rear of vehicle.
2. Use the camera backplate to mark the mounting hole locations.
3. Drill two 3/16" holes for mounting hardware you are using.
4. Use screws to attach the camera backboard to the vehicle with the lens shroud on topside.
5. Route the camera cable towards display monitor.
6. Connect the camera cable to monitor.
7. Select camera image normal or mirror image by reverse image jumper. (Figure 1)

Specification

1. Signal System: NTSC
 - * 2. Image Display: Mirror Image or Normal Image Optional
 3. Voltage: DC 12V
 4. Current: 100mA
 5. Image Sensor: CMOS
 6. Horizontal Definition: 420 Lines
 7. Viewing Angle: 130 degrees
 8. Minimum Illumination: 0.3 LUX
 9. Outer Dimensions: 2.52" (W) x 2.15" (H) x 1.73" (D)
 10. Weight: 7 OZ
- * Note: The camera can reverse the image by removing the reverse image jumper at the end of camera cable.

WARNING

The SV-6910 Back up camera system is strictly a driver assistant device. It should not be considered a safety device for any purposes. The Manufacturer and distributors of the product do not guarantee or assume liability for collision or damages that take place when backing up your

CRIMESTOPPER

www.crimestopper.com

Phone (800) 998-6880

FAX (805) 581-9500

© 2007 Crimestopper Security Products

ver 04/25/07

Free Manuals Download Website

<http://myh66.com>

<http://usermanuals.us>

<http://www.somanuals.com>

<http://www.4manuals.cc>

<http://www.manual-lib.com>

<http://www.404manual.com>

<http://www.luxmanual.com>

<http://aubethermostatmanual.com>

Golf course search by state

<http://golfingnear.com>

Email search by domain

<http://emailbydomain.com>

Auto manuals search

<http://auto.somanuals.com>

TV manuals search

<http://tv.somanuals.com>