



## **SecurView SV-6710 / SV-6711 High Resolution CCD Color Reverse Cameras**

### **Installation Guide**

#### **FEATURES:**

- High resolution Color CCD camera.
- Water, Vibration, and Shock proof aluminum housing
- Mounts through any smooth flat surface up to ½ thick
- 130 degree wide viewing angle
- Mirror imaging built-in
- Low light capability (1 Lux)
- Custom mount in your rear bumper, valance, tailgate, liftgate or overhead locations.
- Mounting Hardware & Cables Included
- Universal mount chassis and bracket (Included on SV-6710 H / SV-6711 H only)

#### **SPECIFICATIONS:**

1/3 CCD

Size: 1.7 x 1.7 x 1.9"  
(44 x 44 x 48mm)

Weight 4.6 Oz. (128 G)

Pixels: 512 (H) x 492 (V)

Resolution: Up to 250,000 pixels  
More than 330 TV lines

Minimum Illumination: 1 LUX / F 1.2

Lens Type: Wide Angle Pinhole

Horizontal Angle: 130

Vertical Angle: 110

Video Output: 1.0 V P-P composite (75 Ohm load)

Supply Voltage: +12VDC

Power Consumption: 180mA typ.

Electronic Shutter: 1/60 s – 1/100000s

White Balance: Automatic

Gamma Correction: 0.45

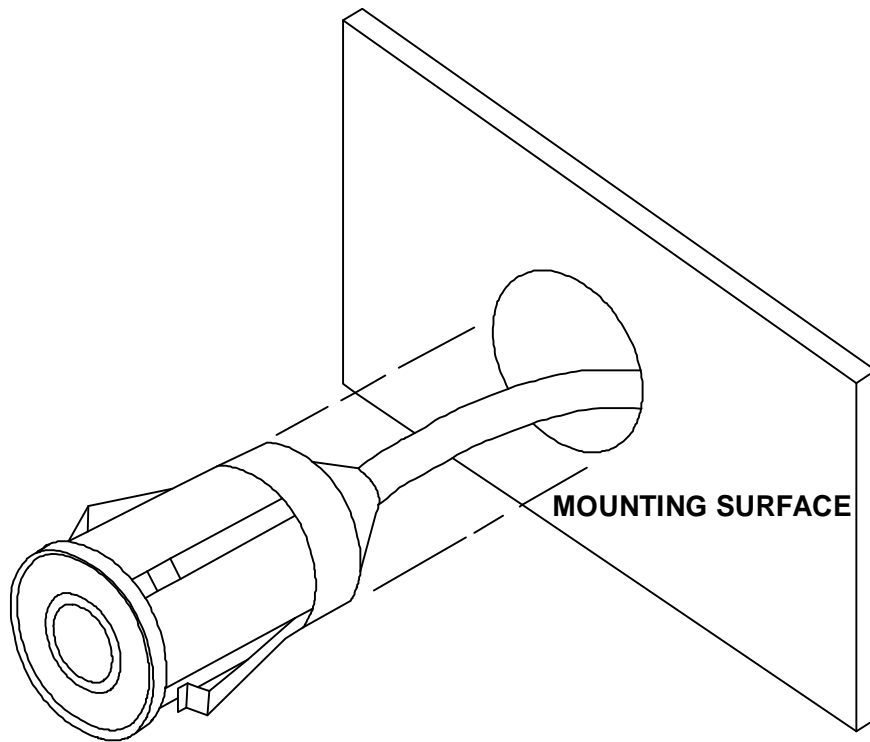
S/N Ratio: More than 48dB

Operating Temp: -13 to 185 F (-25 to 85 C)

Gain Control: Automatic

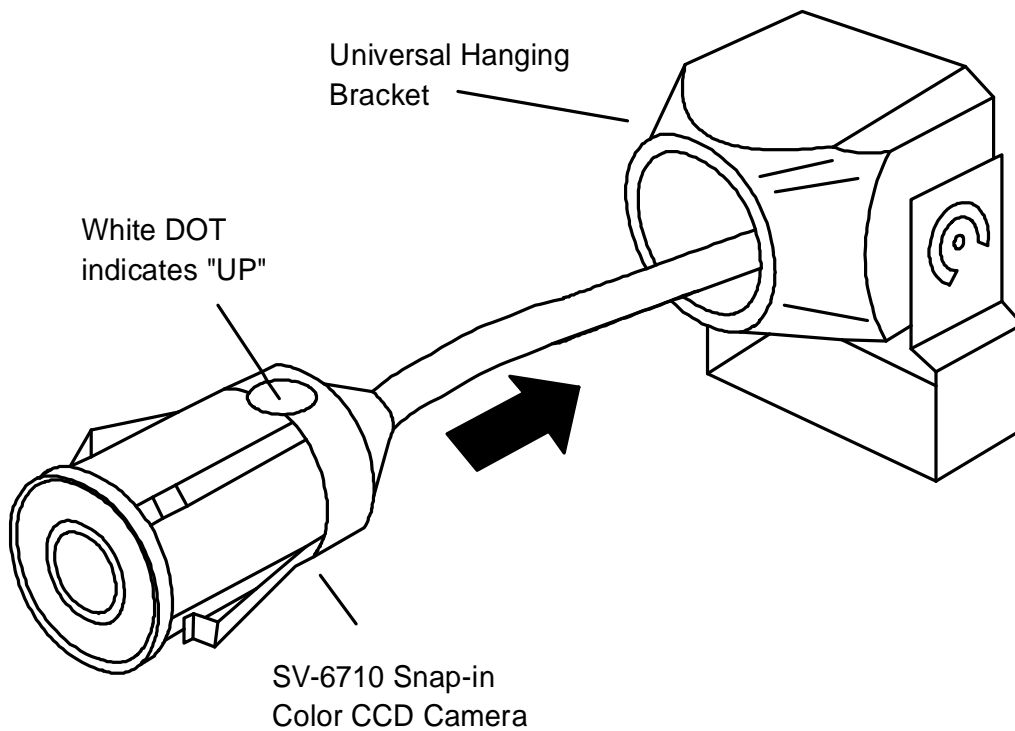
Digital Signal Processor w/10 Bit A/D Converter

## **INSTALLATION DIAGRAMS: SV-6710B**

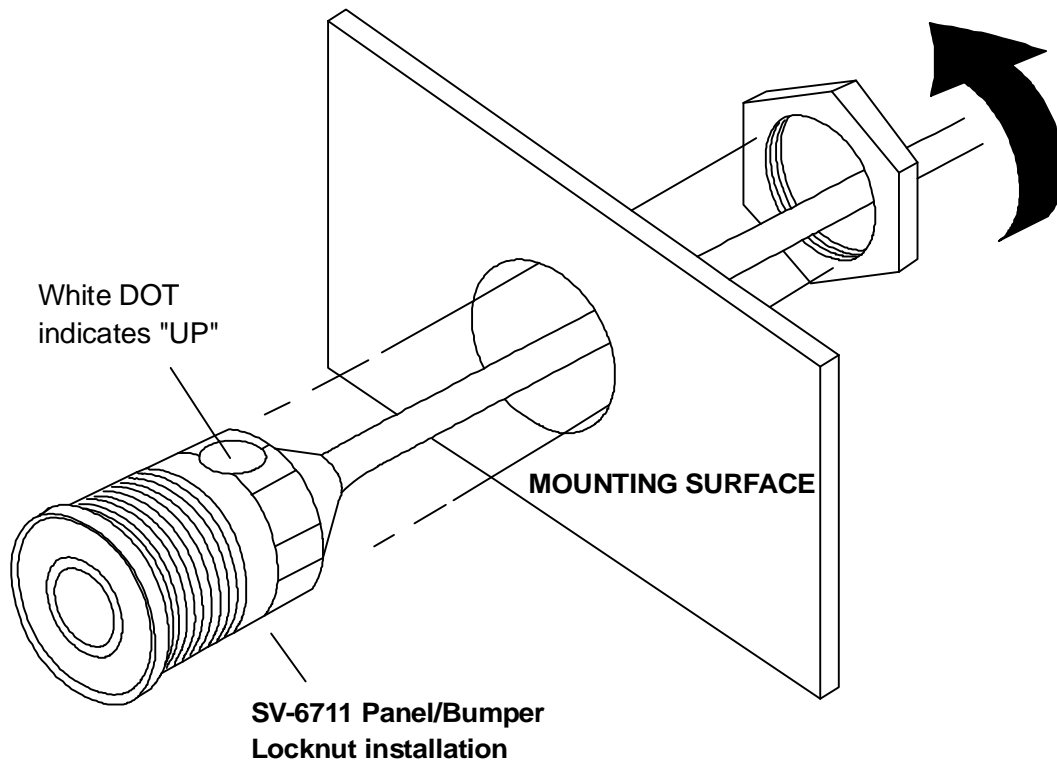


**SV-6710 Panel/Bumper  
Snap-in installation**

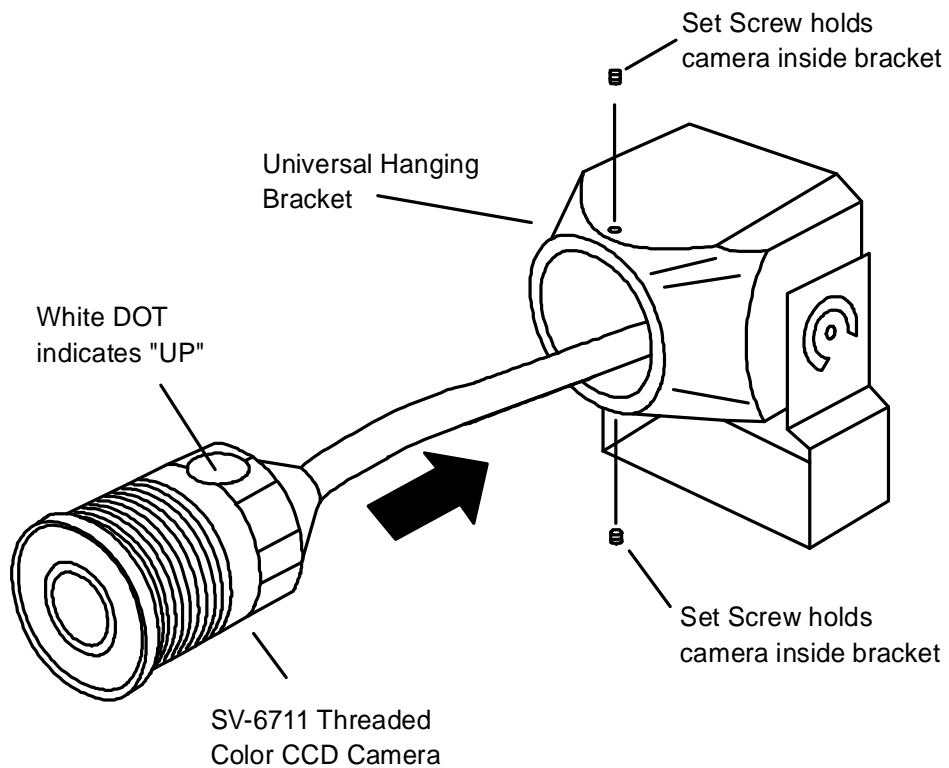
## **INSTALLATION DIAGRAMS: SV-6710H**



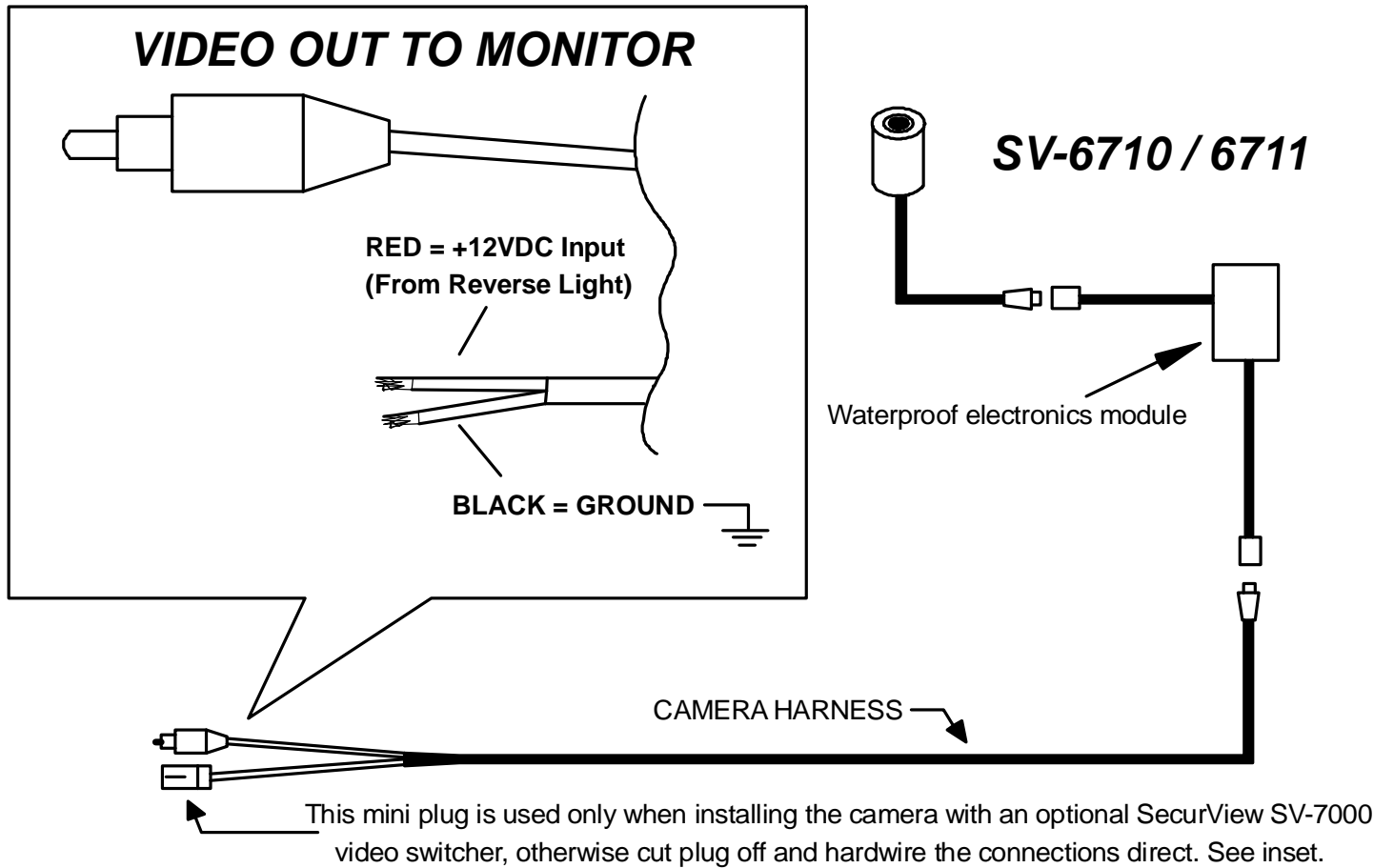
## INSTALLATION DIAGRAMS: SV-6711B



## INSTALLATION DIAGRAMS: SV-6711H



CONNECTIONS:



**CRIMESTOPPER**

Crimestopper Security Products Inc.  
1770 S. Tapo St.  
Simi Valley, CA 93063  
(800) 998-6880  
www.crimestopper.com  
email@crimestopper.com

## Free Manuals Download Website

<http://myh66.com>

<http://usermanuals.us>

<http://www.somanuals.com>

<http://www.4manuals.cc>

<http://www.manual-lib.com>

<http://www.404manual.com>

<http://www.luxmanual.com>

<http://aubethermostatmanual.com>

Golf course search by state

<http://golfingnear.com>

Email search by domain

<http://emailbydomain.com>

Auto manuals search

<http://auto.somanuals.com>

TV manuals search

<http://tv.somanuals.com>