

SV-6713 INSTRUCTION MANUAL

Rear View Color Camera



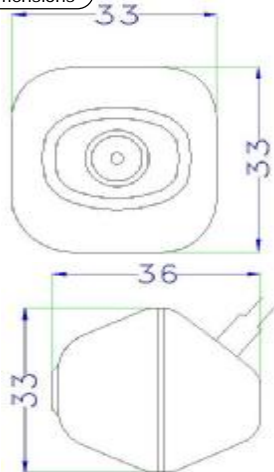
This symbol is intended to alert the user to the presence of uninsulated "dangerous voltage" within the product's enclosure that may be of sufficient magnitude to constitute risk of electric shock to persons.

CAUTION : TO REDUCE THE RISK OF ELECTRIC SHOCK, DO NOT REMOVE COVER (OR BACK) NOT USE A SERVICEABLE PARTS INSIDE REFER SERVICING TO QUALIFIED SERVICE PERSONNEL

This symbol is intended to alert the user to the presence of important operating and main tenance instructions in the literature accompanying the appliance.

WARING : TO REDUCE THE RISK OF FIRE OR ELECTRIC SHOCK DO NOT EXPOSE THIS APPLIANCE TO RAIN OR MOISTURE

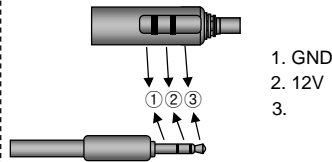
Dimensions



Connection

EXTENTION CABLE

RCA Male : Monitor Video
Black : GND
Red : Battery + Reverse Lamp



1. GND
2. 12V
- 3.

Specification

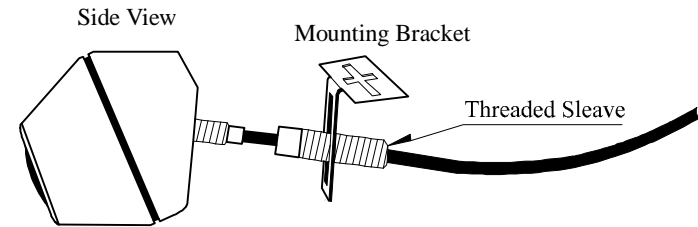


CAUTION :Please Use Regulated Power Supply 12VDC 300mA

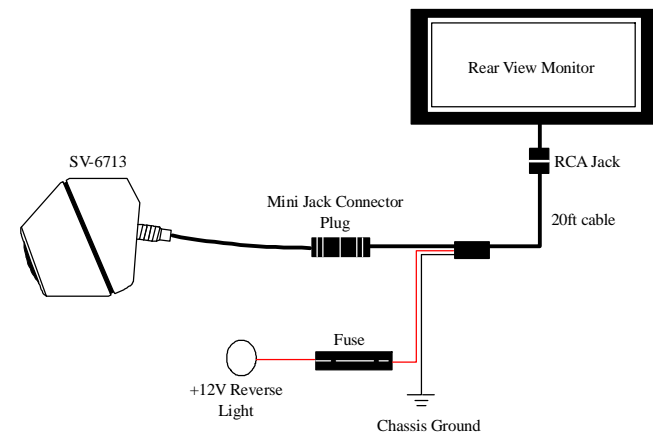
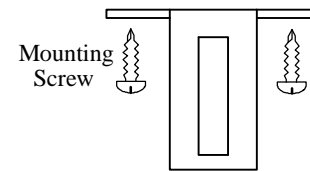
		SV- 6713	
TV SYSTEM		NTSC	PAL
NO. OF PIXELS	H	510	500
	V	492	582
SCANNING FREQUENCY	H	15.734 KHz	15.625 KHz
	V	59.94 Hz	50 Hz
HORIZONTAL RESOLUTION		380 TV Lines	380 TV Lines
SHUTTER SPEED		1/60-1/100,000 sec	1/50-1/100,000 sec
IMAGE PICK-UP DEVICE 1/4" IT COLOR CCD Image Sensor			
SCANNING SYSTEM 2:1 Interlaced			
SYNC. SYSTEM Internal			
S/N RATIO (AGC off) More than 48 dB			
MIN. SENSITIVITY 0.5 Lux - at F : 2.0 / 30 IRE			
GAMMA CORRECTION 0.45 Approx			
GAIN CONTROL Automatic			
VIDEO OUTPUT Composite Video 1.0Vp-p/75Ohm			
LENS f=1.7mm (155deg)			
POWER SOURCE DC 12V 300mA Regulated Power Supply			
POWER CONSUMPTION Max 2W			
OPERATING TEMP. -10°C - +50°C			
DIMENSIONS / mm 33(W) X 33(H) X 36(L)			
WEIGHT 45g			

MOUNTING & WIRING DIAGRAM

SV-6713 CCD Camera



Mounting Bracket
Front View



WARNING

The SV-6713 Back up camera system is strictly a driver assistant device. It should not be considered safety device for any purposes. Manufacturer and distributors of the product do not guarantee or assume liability for collision or damages that take place when backing up your vehicle.

CRIMESTOPPER

TechWeb

www.crimestopper.com

Phone: 800-998-6880

Fax: 805-581-9500

© 2008 Crimestopper Security Products

ONLINE TECHNICAL SUPPORT

www.crimestopper.com

CABLE	3p Phone jack
ACCESSORIES	Extention Cable, Bracket

www.crimestopper.com
Phone: 800-998-6880
Fax: 805-581-9500
© 2008 Crimestopper Security Products

ONLINE TECHNICAL SUPPORT
www.crimestopper.com

Free Manuals Download Website

<http://myh66.com>

<http://usermanuals.us>

<http://www.somanuals.com>

<http://www.4manuals.cc>

<http://www.manual-lib.com>

<http://www.404manual.com>

<http://www.luxmanual.com>

<http://aubethermostatmanual.com>

Golf course search by state

<http://golfingnear.com>

Email search by domain

<http://emailbydomain.com>

Auto manuals search

<http://auto.somanuals.com>

TV manuals search

<http://tv.somanuals.com>