

Crown Boiler Company

CWD Series Boilers

50-003 (3"), 50-004 (4")

Coaxial Terminal Installation Instructions

CAUTION

- This terminal is for use on Crown CWD Series boilers only. Do not use this terminal on any other appliance.
- See the CWD Series Installation Manual for complete vent system installation instructions.

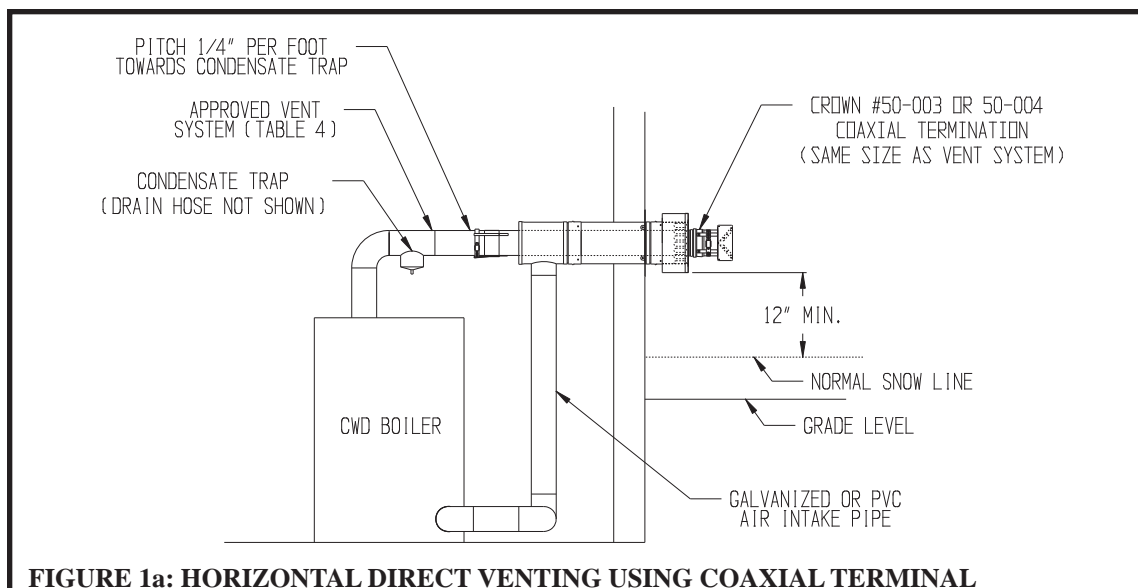
NOTE

- Coaxial portion of inside terminal section may be installed in direct contact with combustible construction.
- Maximum wall thickness through which this terminal can be installed is 13"

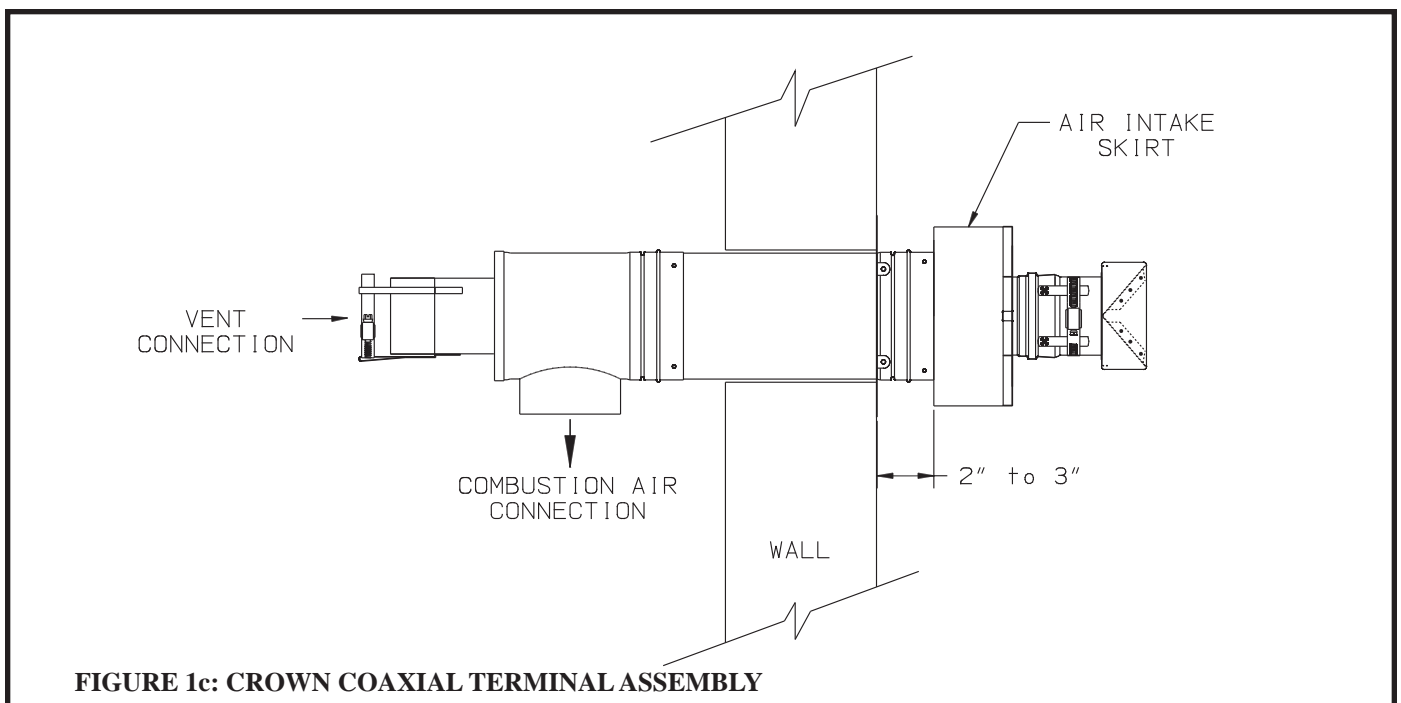
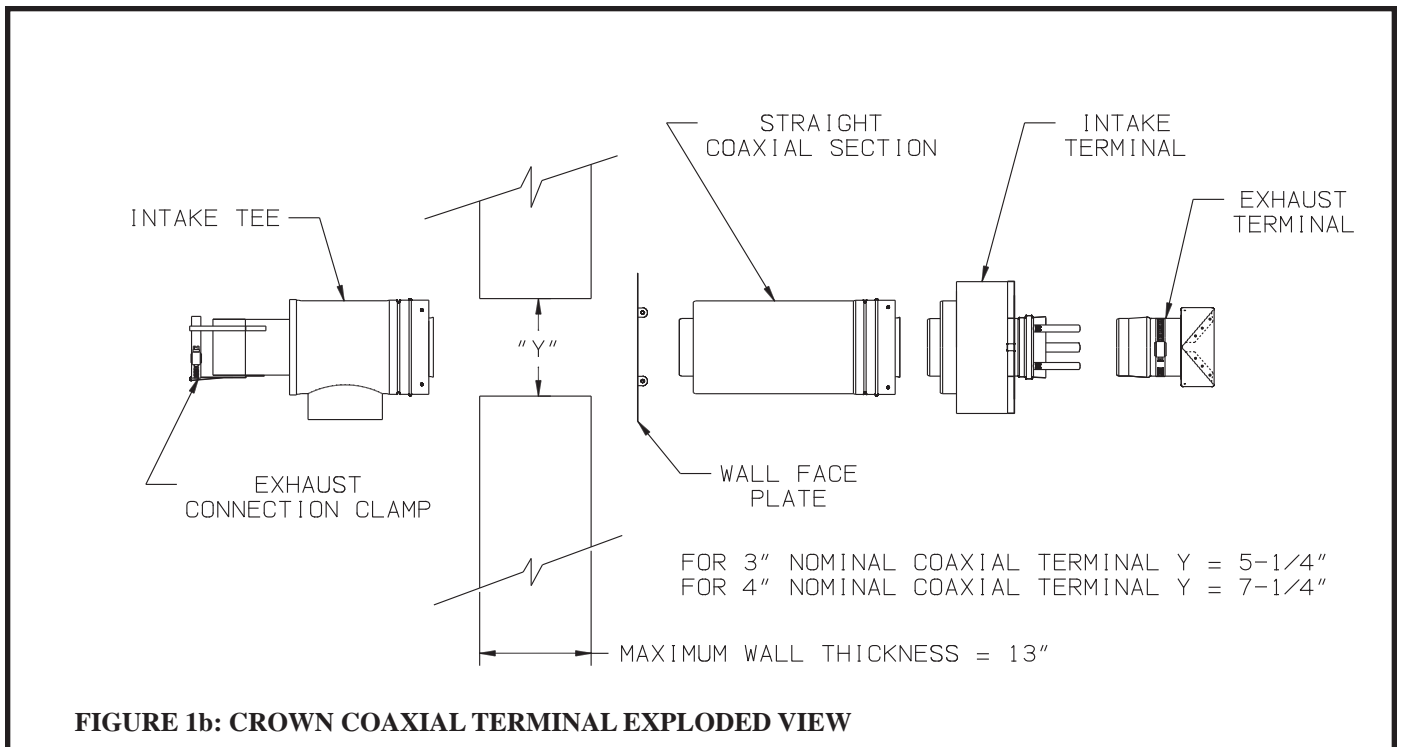
If the optional coaxial terminal is used, it should be installed in the wall before vent assembly is started. Install the terminal in accordance with the following procedure (Figures 1a, 1b & 1c):

1. Position the wall face plate on the outside wall in the desired terminal location. Verify that this location will permit the terminal, and connected venting, to clear any obstructions on the inside of the wall with the appropriate clearances. Mark the location of the round opening on the wall.
2. For 3" terminals, cut a 5 1/4" Diameter hole through the wall at this location. For 4" terminals, cut a 7 1/4" opening.
3. Attach the mounting plate to the outside wall with suitable fasteners.
4. Attach the intake terminal to the straight coaxial section. To do this, clean the male and female ends of the inner pipes with an alcohol pad. Lubricate the gasket in the female end of the straight section with a package of the silicone lubricant provided and then push the intake terminal firmly onto the straight section until the intake terminal makes contact with the bead on the straight section. Secure the two fittings together with the self-drilling screws provided. Use a low torque setting to install these screws so as not to strip out the holes.
5. Pass the assembled intake terminal and straight section through the wall from the outside. Bend the four Tabs in the wall face plate towards the outside when doing this. Do not attach the pipe to the plate yet.
6. Adjust the position of the terminal in the wall so that the edge of the intake skirt is 2-3" from the wall plate (Figure 1c). Also verify that the terminal is pitched in the same direction as the rest of the vent system.
7. Attach the intake/straight section to the wall face plate using the self drilling screws provided.

Continued on Reverse Side



8. Loosen the hose clamp on the end of the exhaust terminal. Mount the exhaust terminal onto the intake terminal with the "V" horizontal (flue gas openings on top and bottom) as shown in Figure 1b. Slip the hose clamp over the "fingers" on the intake terminal and tighten the clamp.
9. Seal all exposed exterior joints, including the joint between the wall face plate and the wall and between the wall face plate and the straight section with an exterior grade silicone sealant.
10. Attach the intake tee to the end of the straight section protruding from the inside wall. Use the procedure described in (4) to clean and assemble these parts.
11. If the inside terminal section is not supported by the wall through which it passes, install additional supports or bracing to support the terminal. Bracing in contact with the coaxial section of the terminal may be combustible.



Free Manuals Download Website

<http://myh66.com>

<http://usermanuals.us>

<http://www.somanuals.com>

<http://www.4manuals.cc>

<http://www.manual-lib.com>

<http://www.404manual.com>

<http://www.luxmanual.com>

<http://aubethermostatmanual.com>

Golf course search by state

<http://golfingnear.com>

Email search by domain

<http://emailbydomain.com>

Auto manuals search

<http://auto.somanuals.com>

TV manuals search

<http://tv.somanuals.com>