

Target Wall Installation Instructions

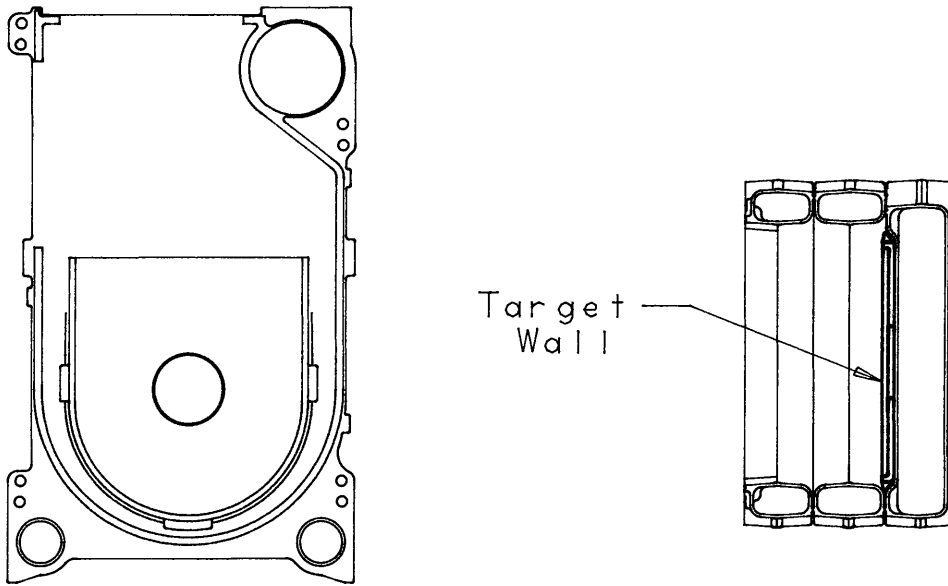
Series 24 Boiler

FOR INSTALLATION DURING BOILER ASSEMBLY -

1. Apply a 1/4" dia. bead of 732 RTV silicone adhesive to the flat surface on the rear of the target wall. Apply the bead as illustrated in Figure 2.
2. Install the target wall immediately, before adhesive sets-up. Position target wall on rear section prior to section assembly. Gently press the target wall with the flat palm of your hand to set adhesive. Draw up sections in manner described in Section II of the Series 24 Installation Instructions. Retainer lugs on target wall will engage between the rear and intermediate sections during assembly, securely locating wall in position. See Figure 1.

FOR REPLACEMENT OF OLD TARGET WALL -

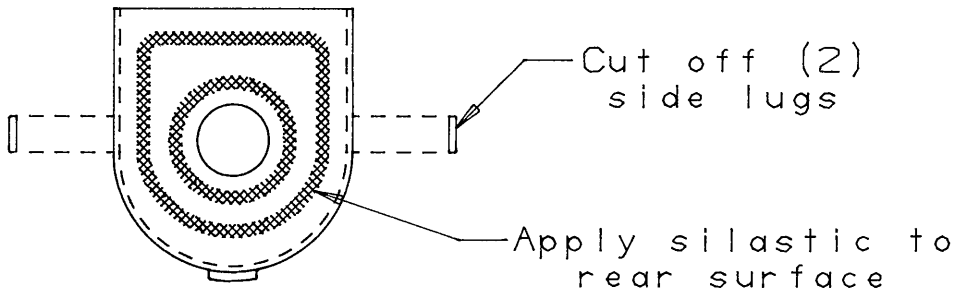
1. REMOVE BURNER MOUNTING PLATE FOR ACCESS TO COMBUSTION CHAMBER:
 - a. Turn off service switch or disconnect electrical power supply to boiler.
 - b. Shut off main fuel supply to boiler.
 - c. Disconnect oil and/or gas lines and remove burner from mounting plate.
 - d. Loosen bottom burner mounting plate cap screw and remove remaining seven (7) 5/16"-18 x 1" lg. cap screws that secure burner mounting plate. Lift and remove burner mounting plate and set aside.
2. REMOVE OLD TARGET WALL:
 - a. Remove target wall from the combustion chamber. The target wall is mechanically locked in place. You can expect to severely damage or destroy the old target wall during removal.
 - b. Use a putty knife to scrape and remove the silicone adhesive used to retain the target wall.
 - c. Using a wire brush, clean cast iron surfaces on the back wall of the rear section in preparation for the new target wall.
 - d. Vacuum all debris from combustion chamber.
3. INSTALL NEW TARGET WALL:
 - a. Using a hacksaw blade, carefully saw off both upper retainer lugs located on the sides of the target wall. See Figure 2 for details.
 - b. Apply a 1/4" dia. bead of 732 RTV silicone adhesive to the flat surface on the rear of the target wall. Apply the bead as illustrated in Figure 2.
 - c. Install the target wall immediately, before adhesive sets-up. Slide target wall horizontally under the front section insulation retaining lugs and up into place on rear section. See Figure 3.
 - d. Gently press the target wall with the flat palm of your hand to set adhesive.
4. RE-INSTALL BURNER MOUNTING PLATE AND BURNER ON BOILER:
 - a. Engage slot at bottom of burner mounting plate onto cap screw. Align holes, install seven (7) remaining cap screws and tighten burner mounting plate securely.
 - b. Attach burner and re-connect fuel lines.
 - c. Open main fuel supply to boiler.
 - d. Turn on service switch or re-connect electrical power supply to boiler.
 - e. Bleed air from fuel lines.
 - f. Operate burner and check for proper start-up, operation and cut-off.



Rear Section w/
Target Wall in place

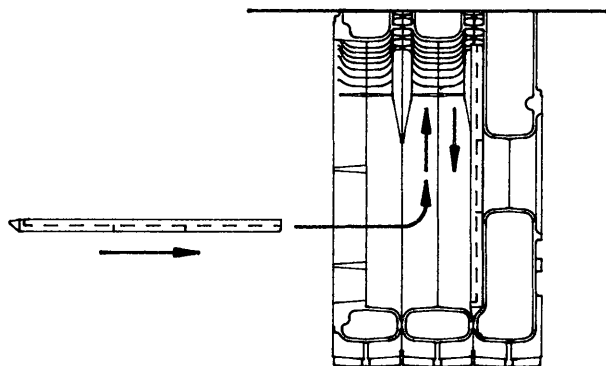
Section Assembly w/
Target Wall in place

FIGURE 1



Target Wall - rear view

FIGURE 2



Installation of Target Wall

FIGURE 3

Important Product Safety Information

Refractory Ceramic Fiber Product

WARNING

This product contains refractory ceramic fibers (RCF). RCF has been classified as a possible human carcinogen. After this product is fired, RCF may, when exposed to extremely high temperature (>1800°F), change into a known human carcinogen. When disturbed as a result of servicing or repair, RCF becomes airborne and, if inhaled, may be hazardous to your health.

AVOID Breathing Fiber Particulates and Dust

PRECAUTIONARY MEASURES

Do not remove or replace previously fired RCF (combustion chamber insulation, target walls, canopy gasket, flue cover gasket, etc.) nor attempt any service or repair work involving RCF without wearing the following protective gear:

1. A National Institute for Occupational Safety and Health (NIOSH) approved respirator
 2. Long sleeved, loose fitting clothing
 3. Gloves
 4. Eye protection
- Take steps to assure adequate ventilation.
 - Wash all exposed body areas gently with soap and water after contact.
 - Wash work clothes separately from other laundry and rinse washing machine after use to avoid contaminating other clothes.
 - Discard used RCF components by sealing in an airtight plastic bag.

FIRST AID PROCEDURES

- If contact with eyes: Flush with water for at least 15 minutes. Seek immediate medical attention if irritation persists.
- If contact with skin: Wash affected area gently with soap and water. Seek immediate medical attention if irritation persists.
- If breathing difficulty develops: Leave the area and move to a location with clean, fresh air. Seek immediate medical attention if breathing difficulties persist.
- Ingestion: Do not induce vomiting. Drink plenty of water. Seek immediate medical attention.

Product Distributed By: Crown Boiler Co.
Philadelphia, PA 19134
Phone: (215)-535-8900

Consult Material Safety Data Sheets supplied by the manufacturer of this product for additional information and handling instructions.

Free Manuals Download Website

<http://myh66.com>

<http://usermanuals.us>

<http://www.somanuals.com>

<http://www.4manuals.cc>

<http://www.manual-lib.com>

<http://www.404manual.com>

<http://www.luxmanual.com>

<http://aubethermostatmanual.com>

Golf course search by state

<http://golfingnear.com>

Email search by domain

<http://emailbydomain.com>

Auto manuals search

<http://auto.somanuals.com>

TV manuals search

<http://tv.somanuals.com>