



USER MANUAL



Digital Photo Frame

MODEL NO: DPF771



Contents

Safety Precaution.....	1
Introduction.....	2
Features.....	2
Packaging Check List.....	2
Specifications.....	2
Product Diagram.....	3
Using Your Frame.....	4
Technical Notes.....	5
Troubleshooting.....	5



AVANT TOUTE UTILISATION DE CE PRODUIT, VEUILLEZ LIRE, COMPRENDRE ET SUIV RE CES INSTRUCTIONS. CONSERVEZ CE MANUEL POUR TOUTE REFERENCE FUTURE. / BEFORE US ING THIS PRODUCT, PLEASE READ, AND FOLLOW THESE INSTRUCTIONS. SAVE THIS BOOKLET FOR FUTURE REFERENCE. / LEA ESTAS INSTRUCCIONES Y SÍGALAS ANTES DE UTILIZAR ESTE RECEPTOR. GUARDE ESTE LIBRITO PARA POSTERIORES CONSULTAS.



Warning Please turn off the power when inserting or removing a memory card to avoid damaging the unit or the card.

Safety precaution



Warning: To reduce the risk of fire or electric shock, do not expose this apparatus to rain or moisture.

- (1) Use only the supplied 5V DC power adapter.is apparatus to rain or moisture.
- (2) Please read the instruction manual carefully and follow all the requirements of safe operation to operate the device.
- (3) Do not use this unit near water. Do not plac e over the unit any cont
- (4) Do not install near any heat sources such as radiators, heat registers, stoves, or other apparatus (Including amplifiers) that produce heat.
- (5) Unplug this unit during lightning, storms or when not use for long.
- (6) About Cleaning: Unplug the sy stem; use only wet cloth to clean. Do not use liquid detergent or aerosol.
- (7) Only use accessories specified by the manufacturer.
- (8) Refer all servicing to qualified service per sonnel, servicing isrequired when the unit has been damaged in any way, such as power supply cord or plug is damaged, liquid has been spilled or objects have fallen into the unit, exposed to moisture, does have fallen into the unit, exposed to moisture, does not operate normally. Don't try to repair the machine by yourself because of the danger of high voltage and electric shock

Introduction

- Your new digital picture frame lets you view digital pictures from memory cards easily and quickly.
- No computer or printer is needed.
- Includes convenient slide show mode, which starts automatically when the frame is turned on.
- Supports many popular memory card types. os with family and friends anywhere.
- Easy to take with you to share phot
- A step beyond the traditional photo frame. View tens or even hundreds of digital photos without the need to pay for printing.

1. Features:

- 7 inch TFT LCD screen
- Supports Secure Digital (SD), Multimedia Card (MMC), Memory Stick MS
- View the pictures from memory cards directly
- Resolution: 480x234 pixels
- Automatic start of slide show
- Wood Frame
- Supports USB

2. Packaging Check List

- Digital Picture Frame x1
- User Manual x1
- Power Adapter x1
- Warranty card x1

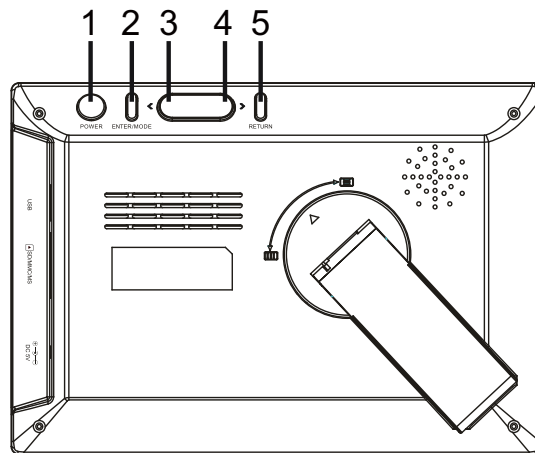
3. Specifications

Panel Size	7 inches
Resolution	480 x 234
Brightness	250 cd/m ²
Contrast	300
Viewing Angle	60/60/50/40 (CR=10)
Response Time	20~30ms
Screen Size Mode	16 :9
Picture Rotation	270 degrees
File Format Type	JPEG
Max. Photo Size	10 megapixels
Power Requirement	5V DC
Power Consumption	5W
Operating Temperature	-20~65 degrees centigrade
Storage Temperature	30~75 degrees centigrade

Product Diagram

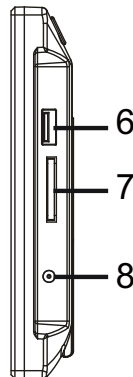
a. Bck side View

1. **POWER** : power switch
2. **ENTER/MODE**: confirmation or Play/Pause
3. **RIGHT**: right direction button
4. **LEFT**: left direction button
5. **RETURN** : return



b. Side view

6. USB input jack
7. Memory card slot
8. Power input jack



Using Your Digital Picture Frame

Install the stand for tabletop display, or mount to a wall. Connect the AC adapter. Insert a memory card in the digital picture frame (with the card's electrical contacts toward the back of the unit).

the card's electrical contacts toward the back of the

This machine is close status after connecting to power, press "POWER" button to turn on the machine

PLS NOTE: Don't leave photo frame in stand by status for too long time, please unplug the frame.

This machine will play photo automatically after insert cards into card slot

When playing , press ENTER/MODE button long 3 seconds, the machine will switch at three mode:

STANDARD MODE, DRAWING FULL SCREEN SIZE., ZOOM FULL SCREEN SIZE .

Press ENTER/MODE to pause the photo playing ,
press LEFT/RIGHT button to select and browse photos,
press ENTER/MODE again to return to play status

Press RETURN button to return photo browse status,
press LEFT/RIGHT button to select photo,
press ENTER/MODE button to enter pause broswing status,
press ENTER/MODE again to enter auto-play mode



Technical Notes:

1. Your digital picture frame is a sophisticated electronic device. Do not drop or subject the unit to jarring or strong vibrations.
2. Avoid placing the digital photo frame in areas of high humidity or where it might be subjected to splashing.
4. The LCD panel is made of plastic and can be easily damaged. Avoid sharp objects.
5. Use only a soft dry cloth to clean the screen

Questions / Troubleshooting Guide

1. **Question:**What kind of photos does this device support?

Answer: The frame will display digital photos that are stored in the JPEG format, which is the standard format for nearly all digital cameras. Some cameras allow images to be stored as TIFF or RAW files as well as JPEG. Only the JPEG format is compatible with the frame. Photos of up to million pixels can be displayed.

2. **Question:**What should I do if the system does not respond when the power is turned on?

Answer: Please make sure the unit is properly connected to a power source. Then turn it off, re-connect the power and turn it on again.

3. **Question:**Why is the memory card not recognized?

Answer: The memory card might be inserted backwards or is not pushed far enough. After inserting the memory card in the right direction, if the still cannot be read, please turn off the unit and then power it on again.

Free Manuals Download Website

<http://myh66.com>

<http://usermanuals.us>

<http://www.somanuals.com>

<http://www.4manuals.cc>

<http://www.manual-lib.com>

<http://www.404manual.com>

<http://www.luxmanual.com>

<http://aubethermostatmanual.com>

Golf course search by state

<http://golfingnear.com>

Email search by domain

<http://emailbydomain.com>

Auto manuals search

<http://auto.somanuals.com>

TV manuals search

<http://tv.somanuals.com>