

SGM304, SGM365, SGM466

dacor
The Life of the Kitchen.®

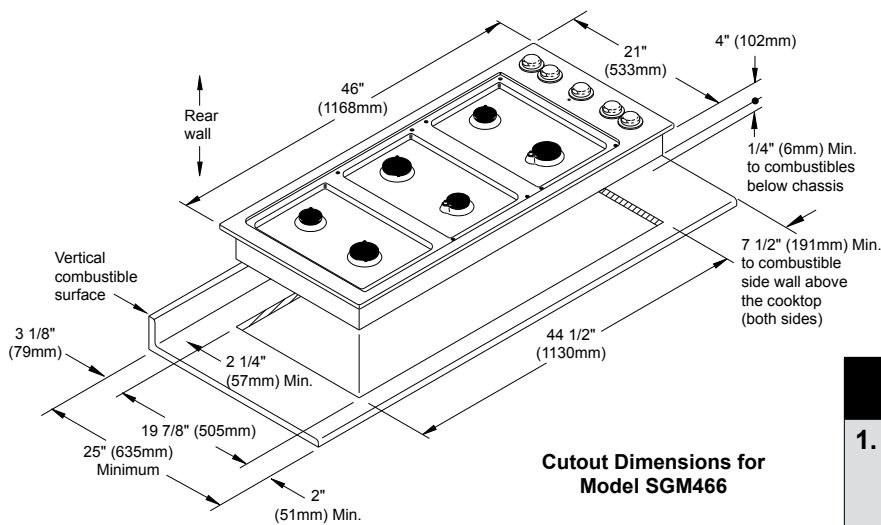
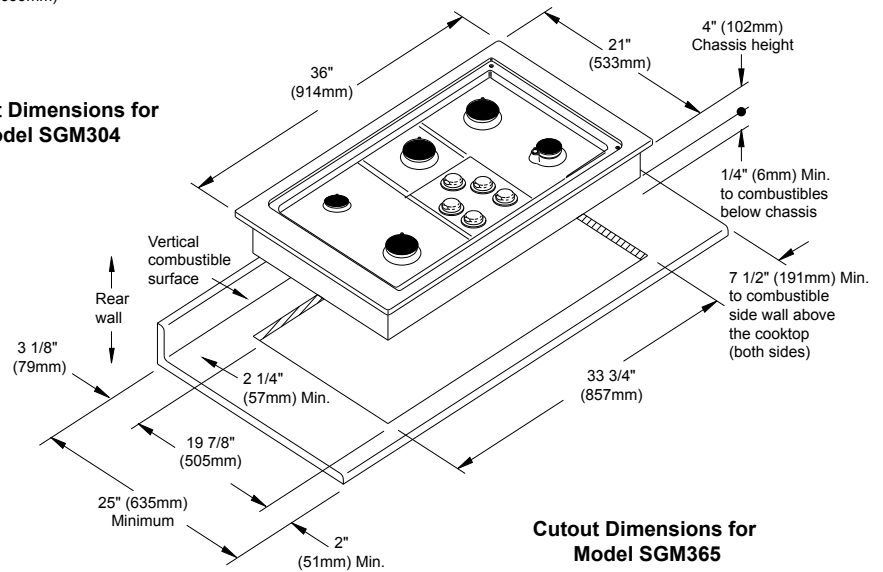
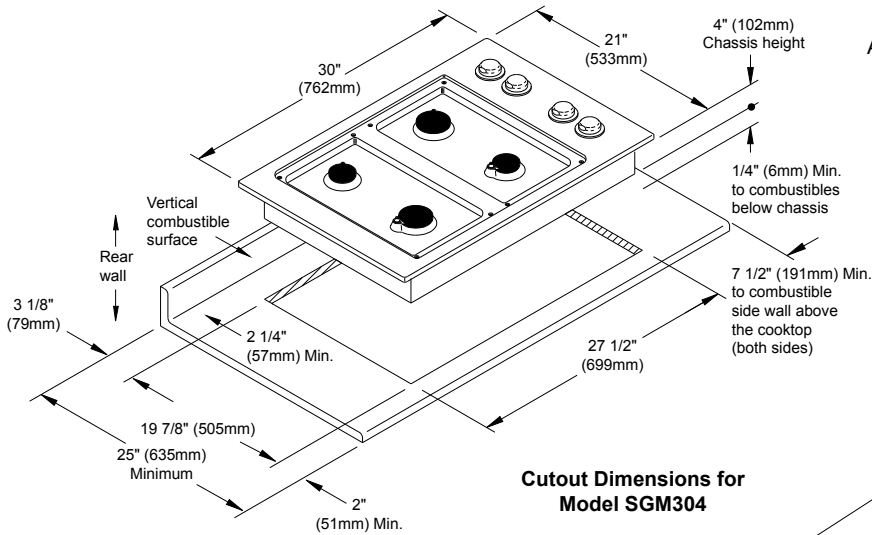
Revised
07/18/08

30", 36", 46" Wide, Preference™ Gas Cooktops

1/2

PLANNING GUIDE

All tolerances +1/16" -0 (+1.6 mm, 0) unless otherwise noted.



WARNING

1. Observe all governing codes and ordinances during planning and installation. Contact your local building department for further information.
2. This appliance must be installed in accordance with the accompanying installation instructions.

SGM304, SGM365, SGM466

dacor
The Life of the Kitchen.®

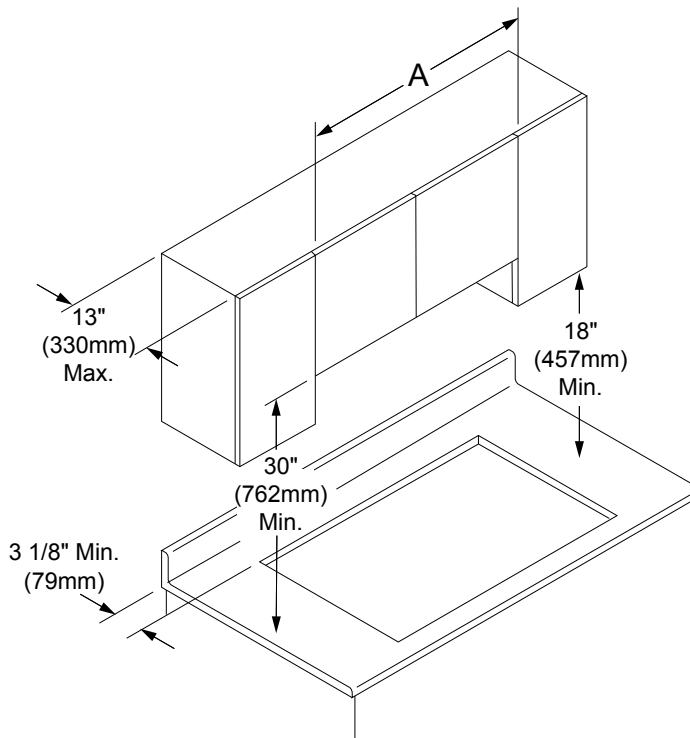
Revised
07/18/08

**30", 36", 46" Wide,
Preference™ Gas Cooktops**

2/2

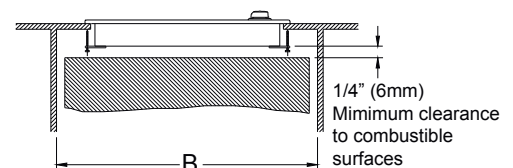
**PLANNING
GUIDE**

All tolerances +1/16" -0 (+1.6 mm, 0) unless otherwise noted.



Clearances to Combustibles

Model	"A" Minimum	"A" Maximum
SGM304	30" (762mm)	36" (914mm)
SGM365	36" (914mm)	42" (1067mm)
SGM466	48" (1219mm)	54" (1372mm)



Under Cabinet Clearances - Front View

Model	"B" Minimum
SGM304	29" (737mm)
SGM365	35 1/4" (895mm)
SGM466	46" (1168mm)



NOTES:

1. **Factory installed liquid propane (LP) special ordered.**
2. **Cooktop is supplied with a 48" (1219mm) power cord, with a three prong grounded plug.**
3. **Utilities are located in the right rear corner of the cooktop.**
4. **See the Combination Installation (CI) section if installing with a downdraft, wall oven, or warming oven.**

	SGM304 SGM365 SGM466	SGM304LP SGM365LP SGM466LP
Gas Type	Natural Gas	LP Gas
Manifold Pressure	5" Water Column	10" Water Column
Min. Gas Supply Pressure **	6" Water Column	11" Water Column
Total Connected Load	0.25 Amps (0.03 kW)	0.25 Amps (0.03 kW)
Circuit Requirement	120 Vac, 60 Hz, 15 Amp	120 Vac, 60 Hz, 15 Amp

Free Manuals Download Website

<http://myh66.com>

<http://usermanuals.us>

<http://www.somanuals.com>

<http://www.4manuals.cc>

<http://www.manual-lib.com>

<http://www.404manual.com>

<http://www.luxmanual.com>

<http://aubethermostatmanual.com>

Golf course search by state

<http://golfingnear.com>

Email search by domain

<http://emailbydomain.com>

Auto manuals search

<http://auto.somanuals.com>

TV manuals search

<http://tv.somanuals.com>