

# MRES30

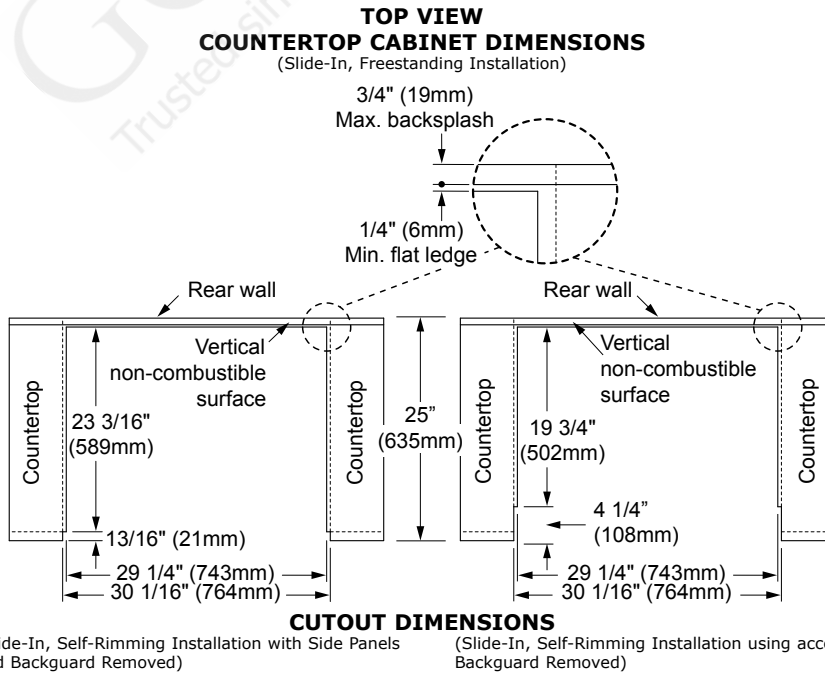
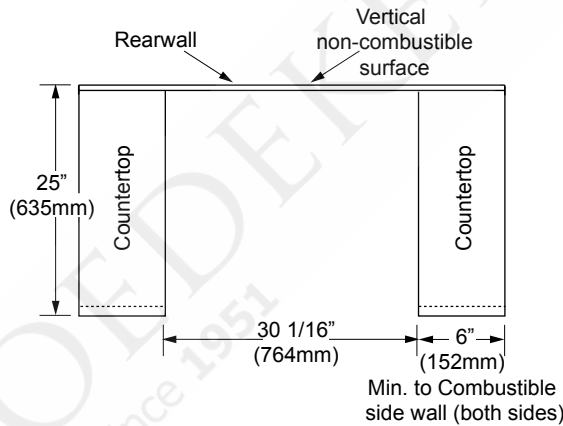
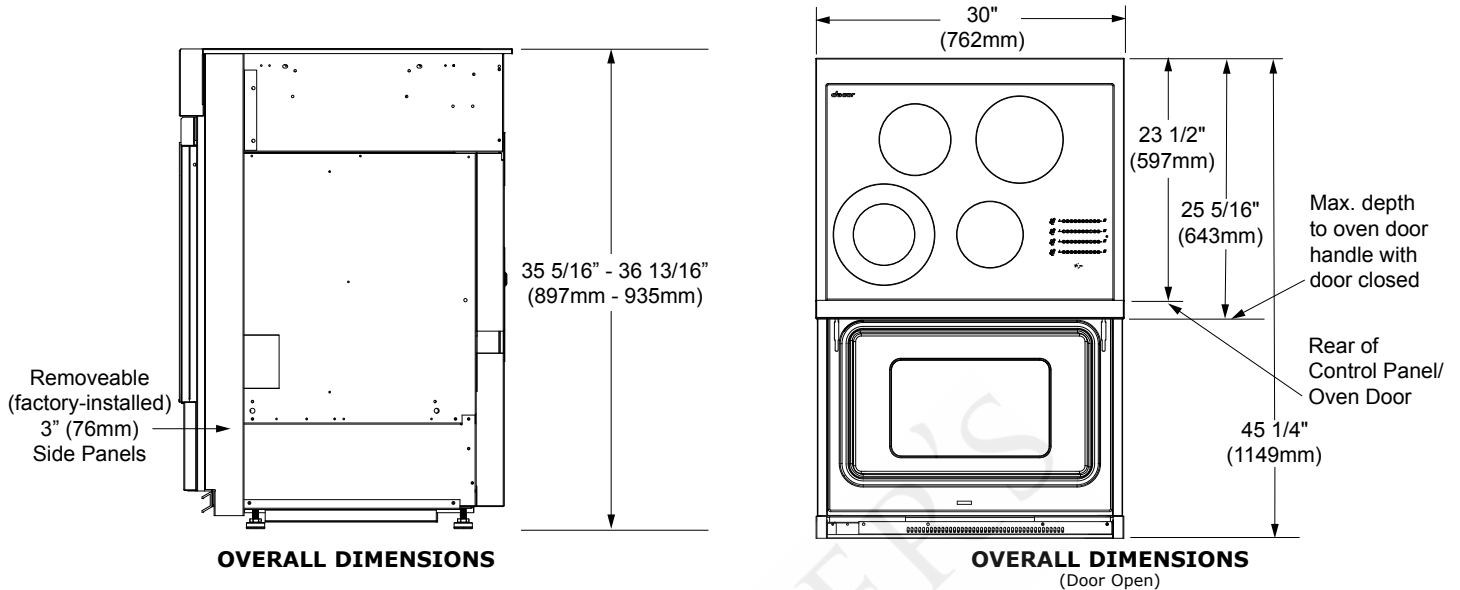
**dacor**  
The life of the kitchen™

092105

## 30" Wide, Millennia™ Range

1/2

## PLANNING GUIDE



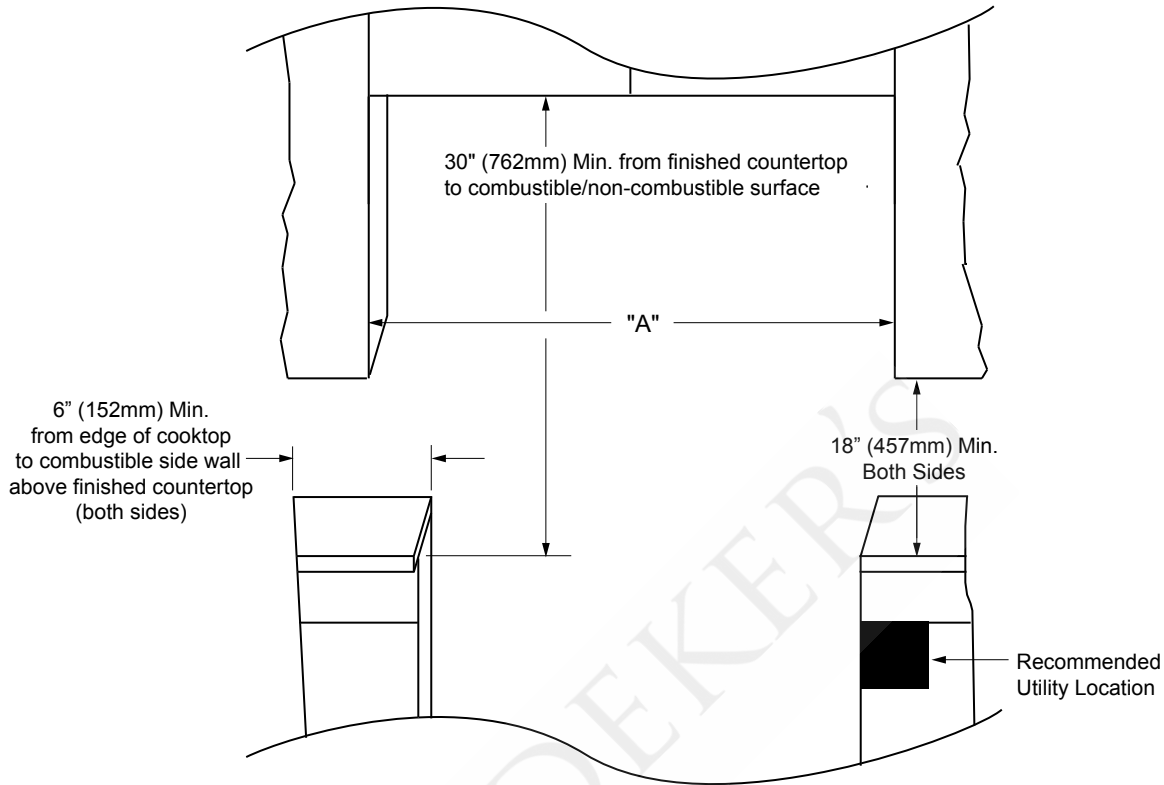
Web: <http://www.dacor.com>  
Corporate Phone: 800-793-0093

Specifications are subject to change without notice.  
See installation instructions for additional details.

5.12

L65336 rev D

# MRES30



**UPPER CABINET DIMENSIONS**  
(Upper Cabinets 13" (330mm) Maximum Depth)

Model No.	"A" Min. Hood Width	"A" Recommended Hood Width
MRES30	30" (762mm)	36" (914mm)

Model No.	Dedicated Circuit Required	Total Connected Load	Approximate Shipping Weight
MRES30	240VAC, 4-wire, 60Hz, 50A (Breaker)	11.1kW (46A)	297 lbs.



### NOTES:

1. Electrical is located in the right rear corner of the unit.
2. Range is supplied with a 60" (1524mm) long 240V 4-wire conduit.
3. Utilities may be located in the lower left corner of the adjacent right cabinet. (Recommended)
4. Alternate location, in the lower right corner behind the range.
5. Contact your local building department to verify compliance with local code interpretation.
6. MRES30 Range can be installed with slim (ERV/ PRV) downdraft ventilation.
7. See the Combination Installation (CI) Section if installing with a downdraft.

## Free Manuals Download Website

<http://myh66.com>

<http://usermanuals.us>

<http://www.somanuals.com>

<http://www.4manuals.cc>

<http://www.manual-lib.com>

<http://www.404manual.com>

<http://www.luxmanual.com>

<http://aubethermostatmanual.com>

Golf course search by state

<http://golfingnear.com>

Email search by domain

<http://emailbydomain.com>

Auto manuals search

<http://auto.somanuals.com>

TV manuals search

<http://tv.somanuals.com>