

# RR30NS, RR30NFS, RR30NIS, RR30NIFS

Document # PG05-009

Revised 05/23/13 Page 1/5



## Renaissance® 30" Wide Electric Inductive Range

## PLANNING GUIDE

### Model Versions

Model	Configuration	Handle Type
RR30NS[-C]*	Freestanding, (full size side panels)	Mounted on outside of door
RR30NFS[-C]*	Freestanding, (full size side panels)	Flush handle, integrated in door
RR30NIS[-C]*	Built-in/Slide-in (3 1/4" removable side panels)	Mounted on outside of door
RR30NIFS[-C]*	Built-in/Slide-in (3 1/4" removable side panels)	Mounted on outside of door

\* Order -C option for corded wiring configuration, see page 3/5 for details.

### WARNING

- Observe all governing codes and ordinances during planning and installation. Contact your local building department for further information.
- This appliance must be installed in accordance with the accompanying installation instructions.

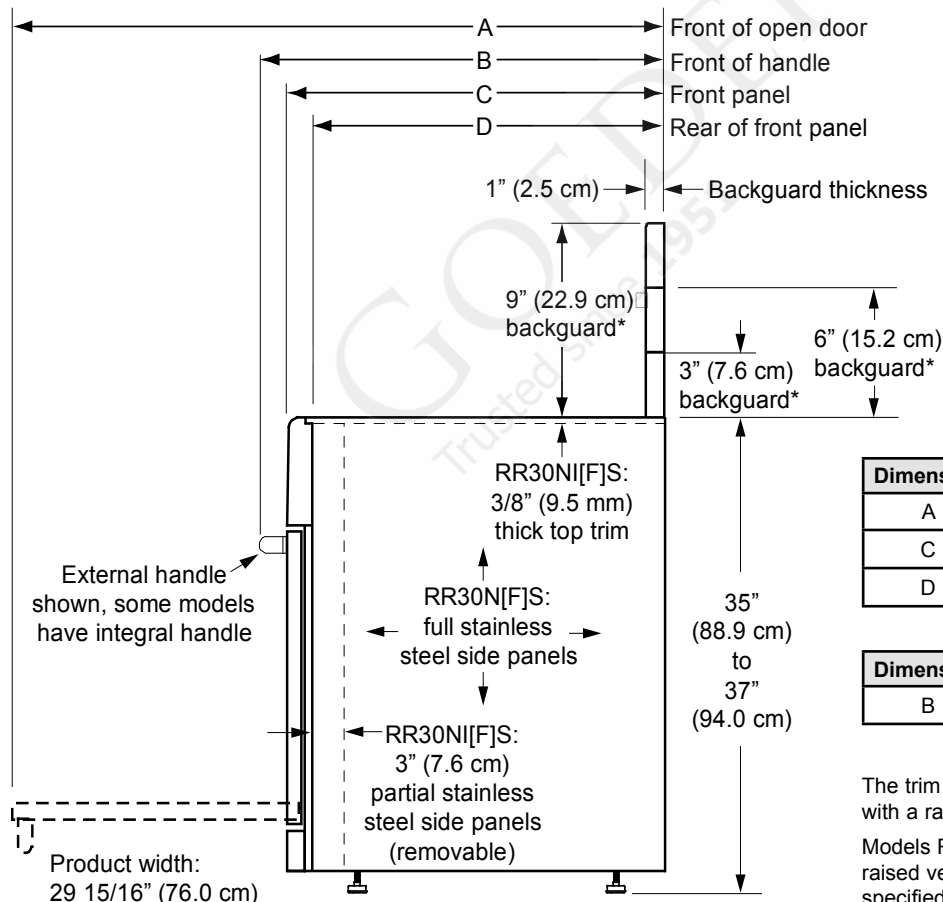
### Available Backguards

Part Number	Description	Compatibility
ADRB30E03	3 Inch	Optional on all models
ADRB30E06	6 Inch	Standard on models RR30NS, RR30NFS Optional on models RR30NIS, RR30NIFS
ADRB30E09	9 Inch	Optional on all models

Models RR30NIS and RR30NIFS come equipped from the factory with flat stainless trim piece in place of a backguard. A backguard may be purchased as an optional accessory. Add an additional 1/16 inch to depth dimensions below when installing a backguard on models RR30NIS and RR30NIFS.

### Product Dimensions

All tolerances ±1/16" (±1.6 mm) unless otherwise noted.



Dimension	RR30NS, RR30NFS	RR30NIS, RR30NIFS
A	46 1/4" (117.5 cm)	46 1/16" (117.0 cm)
C	25 1/2" (64.8 cm)	25 5/16" (64.3 cm)
D	23 3/8" (59.4 cm)	23 3/16" (58.9 cm)

Dimension	RR30NS	RR30NIS
B	27 7/8" (70.8 cm)	27 11/16" (70.3 cm)

The trim on models RR30NS and RR30NFS are not compatible with a raised vent.

Models RR30NIS and RR30NIFS are compatible with Dacor raised vent models ERV30 and ERV3015. Use only these specified raised vent models.

\* See table for compatibility

### OVERALL DEPTH DIMENSIONS - SIDE VIEW



# RR30NS, RR30NFS, RR30NIS, RR30NIFS

Document # PG05-009

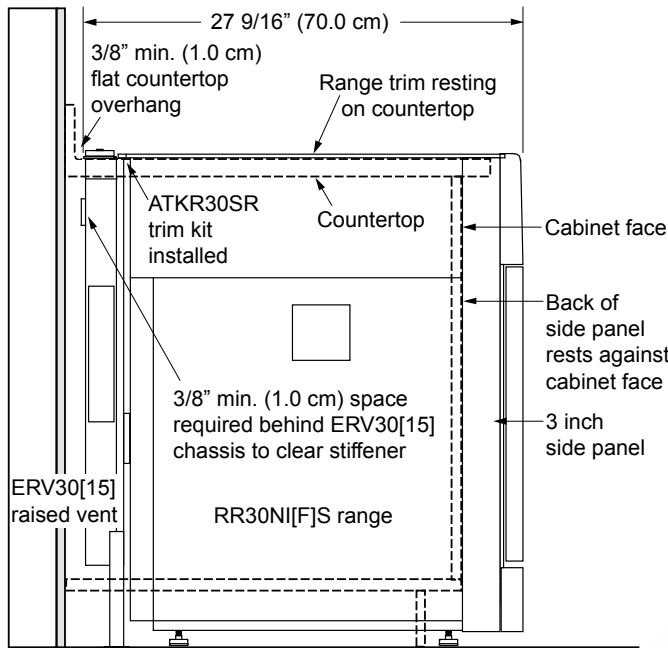
Revised 05/23/13 Page 2/5



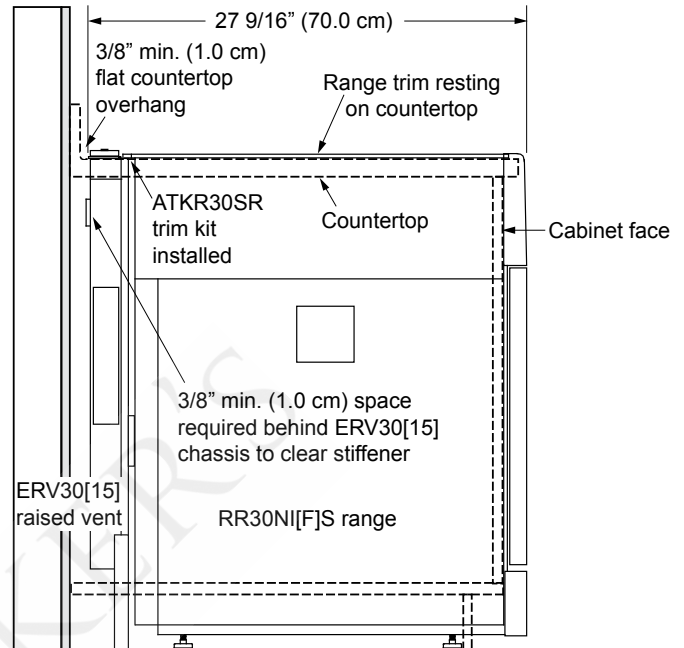
## Renaissance 30" Wide Electric Inductive Range

## PLANNING GUIDE

### Product Dimensions (cont.)



**SIDE VIEW - DOWNDRAFT ERV30[15] WITH SLIDE-IN, SELF-RIMMING INSTALLATION WITH 3" SIDE PANELS INSTALLED**



**SIDE VIEW - DOWNDRAFT ERV30[15] WITH SLIDE-IN, SELF-RIMMING INSTALLATION WITH 3" SIDE PANELS REMOVED**

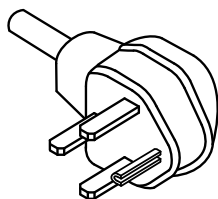
### Electrical Specifications

ELECTRICAL REQUIREMENTS	
Electrical Circuit Required	Total Connected Load**
240 Vac 60 Hz, 4 wire*, 50 Amp.	11.5 kW (48.0 Amp.)

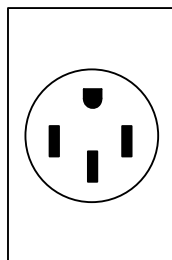
\*Two 120 Vac hot (L1 and L2), one neutral (N1) and one ground.

\*\*This information above is for reference only. If the above data does not agree with the product data label, use the data on the product data label.

**IMPORTANT:** Models with -C option suffix are ranges that come with a factory installed 4-wire appliance cord with NEMA 14-50P plug. For freestanding ranges installed in Canada, a factory installed 4-wire appliance cord with NEMA 14-50P plug is required, without modification. For slide-in ranges installed in Canada and all ranges installed outside of Canada, the 4-wire appliance cord configuration (-C type) is optional and may be utilized where local codes permit. The plug is designed to plug directly into a NEMA 14-50R electrical receptacle installed by a licensed electrician according to the above specifications.



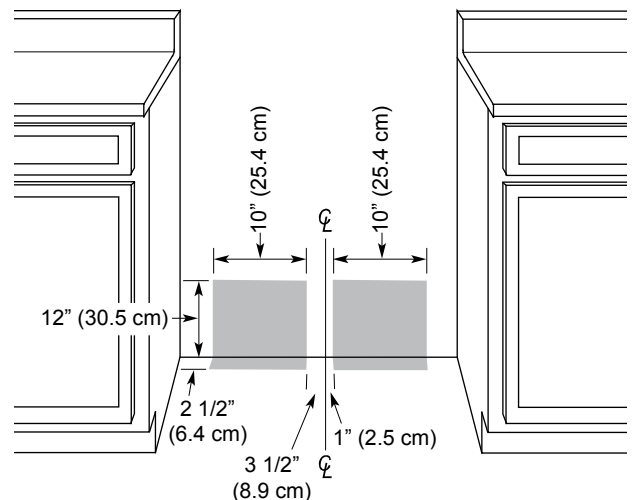
**NEMA 14-50P PLUG**



**NEMA 14-50R RECEPTACLE**

### Factory Wiring

Model	Factory Electrical Connection
RR30NS, RR30NFS	Power cord not installed. Not for installation in Canada.
RR30NS-C, RR30NFS-C	Cord connected, for installation in Canada (and U.S.A., where local codes permit).
RR30NIS, RR30NIFS	No power cord. May be installed in Canada and U.S.A.
RR30NIS-C, RR30NIFS-C	Cord connected, may be installed in Canada and U.S.A., where local codes permit.



**UTILITY CLEARANCE BEHIND RANGE**

# RR30NS, RR30NFS, RR30NIS, RR30NIFS

Document # PG05-009

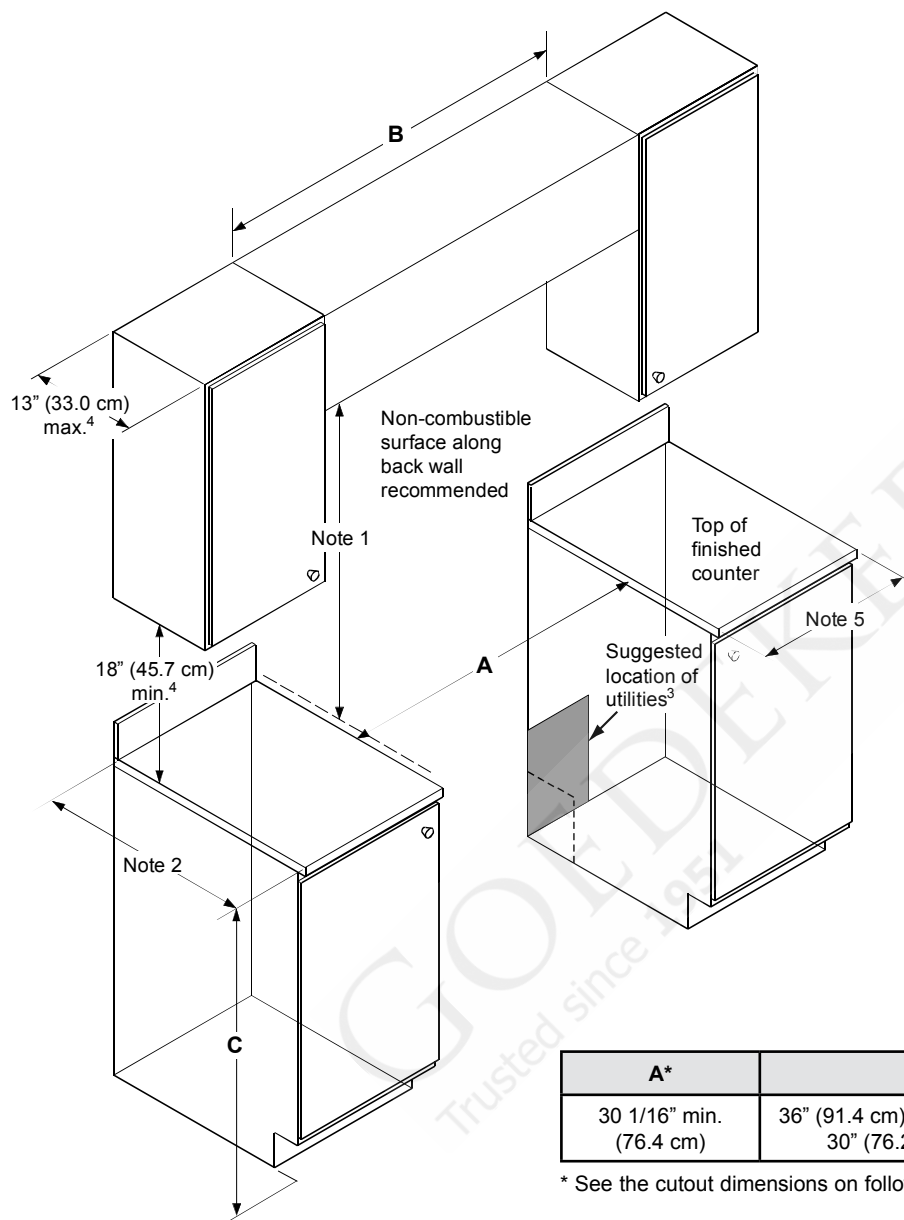
Revised 05/23/13 Page 3/5

**dacor**  
The Life of the Kitchen.®

## Renaissance 30" Wide Electric Inductive Range

## PLANNING GUIDE

All tolerances +1/16" (+1.6 mm), -0 unless otherwise noted.



- Failure to meet or exceed the maximum and minimum dimensions/clearances stated may result in a fire hazard.
- The shaded area shown denotes the location of the electrical junction box/receptacle. This is the suggested location. For replacement purposes, the location of the existing electrical supply may be utilized provided that it does not interfere with the sides or rear of the range.
- Access to the remote circuit breaker panel/fuse box, with the range in place and operating, must also be allowed for in the installation.
- The electrical junction box/receptacle must be located so that it does not interfere with the range when it is installed and under operation. In addition, the junction box/receptacle must be located so the range can be removed for service and remain connected to power.
- To eliminate the risk of burns or fire by reaching over heated surface units, cabinet storage space located above surface units should be avoided. If cabinet storage space is to be provided directly above the range, the risk of personal injury may be reduced by installing a range hood.
- In all instances, installation of a range hood is highly recommended. The hood should project horizontally a minimum of five (5) inches beyond the face of the cabinets. See the range hood specifications for minimum clearances.
- The range may be installed flush to the rear wall. See diagram and notes for rear wall surface requirements. It is not necessary to install non-combustible materials behind the range below the countertop height.
- Any openings in the wall behind the appliance or in the floor underneath it must be sealed.

### FREESTANDING INSTALLATION CABINET CUTOUT DIMENSIONS - MODELS RR30NS, RR30NFS, RR30NIS AND RR30NIFS

<sup>1</sup>30" (76.2 cm) min. vertical clearance from top of range grates to bottom of uncovered wood or metal cabinet. 24" (61 cm) min. clearance if bottom of wood or metal cabinets are protected by not less than 1/4" (0.6 cm) flame retardant millboard covered with no less than No. 28 MSG sheet steel 0.015" (0.04 cm) stainless steel, or 0.024" (0.06 cm) aluminum or 0.020" (0.05 cm) copper. If installing range hood, check the hood specifications for minimum required clearances.

<sup>2</sup>Cabinet/countertop depth is at discretion of customer but cabinet face SHALL NOT protrude further than rear of front panel. See **Product Dimensions**.

<sup>3</sup>Consult local code and following pages for requirements.

<sup>4</sup>This specification not applicable for cabinets more than a horizontal distance of 1" (2.6 cm) min from edge of range.

<sup>5</sup>1" (2.6 cm) min. to combustible sidewalls above range (both sides).

# RR30NS, RR30NFS, RR30NIS, RR30NIFS

Document # PG05-009

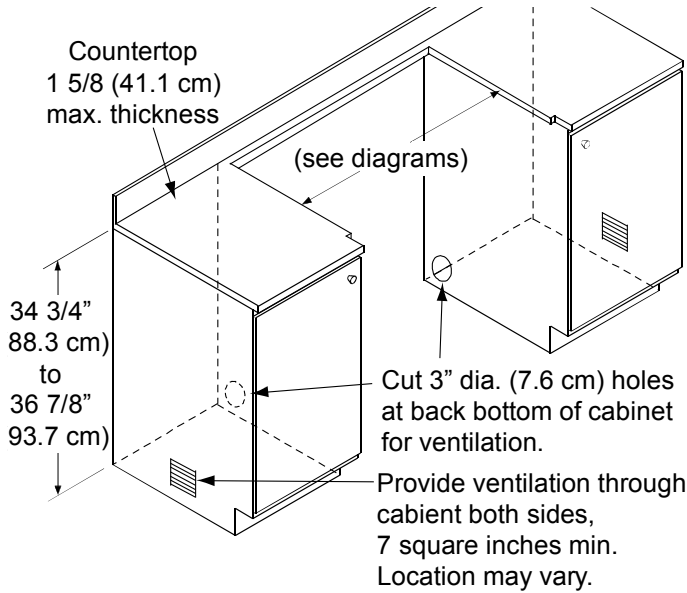
Revised 05/23/13 Page 4/5



## Renaissance 30" Wide Electric Inductive Range

## PLANNING GUIDE

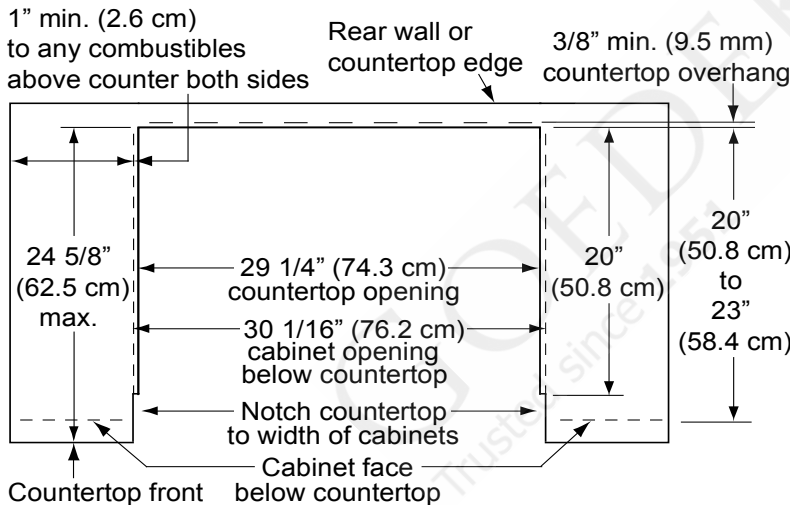
### Cabinet Cutouts for Self-Rimming Installation (Models RR30NIS and RR30NIFS Only)



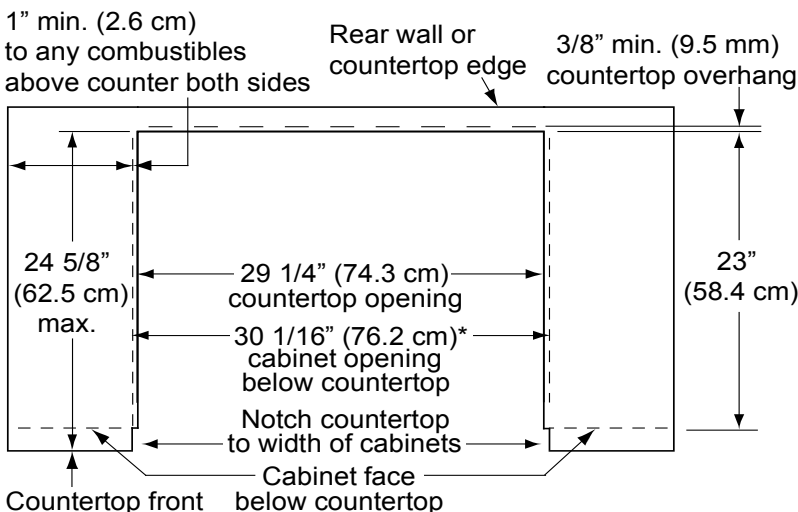
All tolerances +1/16" (+1.6 mm), -0 unless otherwise noted.

Countertop height: 34 3/4" (88.3 cm) min.  
36 7/8" (93.7 cm) max.  
Countertop thickness: 1 5/8" (4.1 cm) max.

- The self-rimming installation of the RR30NI[F]S range creates a "built-in" look where the range trim overlaps the countertop on both sides and in back.
- **IMPORTANT:** When installing the range in this configuration, ventilation must be provided to allow for cooling of the ranges internal components. See diagram, left.
- Observe all vertical cabinet clearances on page 3/5.
- On self-rimming installations when sliding the range into position, it will stop when the rear of the control panel or side panels contact the notches toward the front of the countertop.



**TOP VIEW - SLIDE-IN, SELF-RIMMING INSTALLATION, 3" SIDE PANELS INSTALLED**



**TOP VIEW - SLIDE-IN, SELF-RIMMING INSTALLATION, 3" SIDE PANELS REMOVED**

\* To create a "built-in look" on the front of the cabinet, this dimension may be changed to 29 1/4" (74.3 cm), with the width at the notches remaining 30 1/16". This configuration is only for models RR30NIS and RR30NIFS with side panels behind door removed.

# RR30NS, RR30NFS, RR30NIS, RR30NIFS

Document # PG05-009

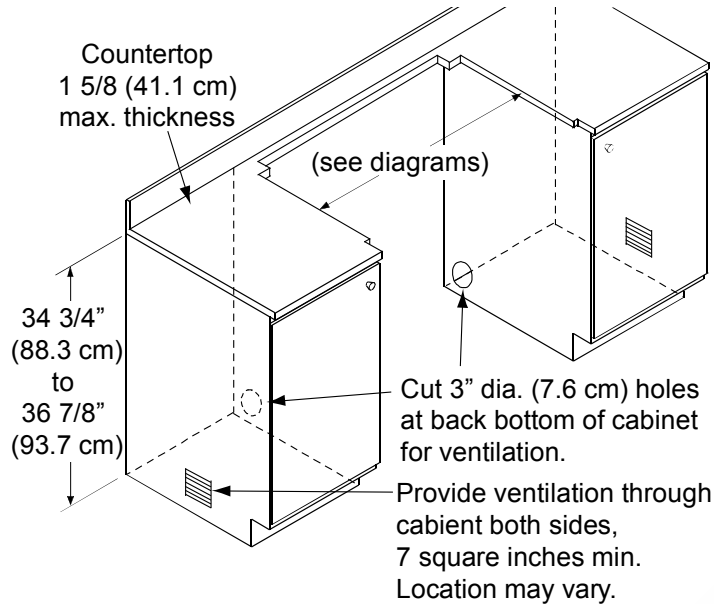
Revised 05/23/13 Page 5/5



## Renaissance 30" Wide Electric Inductive Range

## PLANNING GUIDE

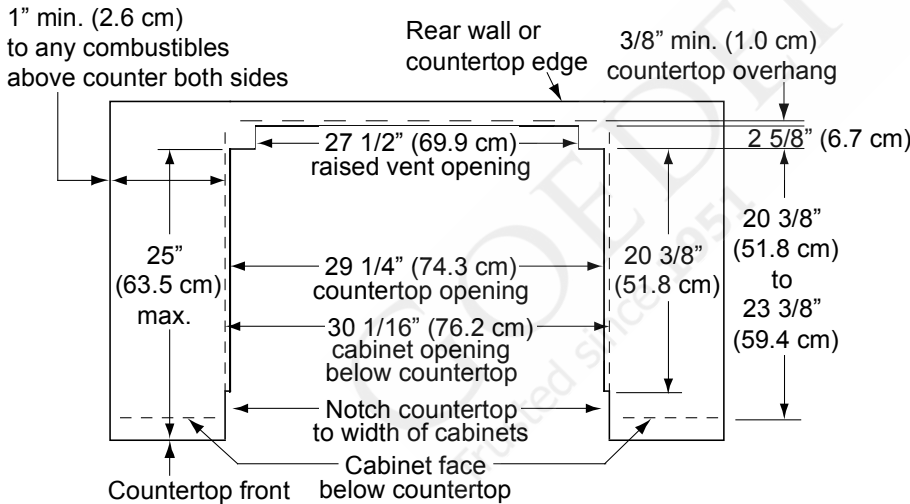
### Cabinet Cutouts for Self-Rimming Installation (Models RR30NIS and RR30NIFS Only)



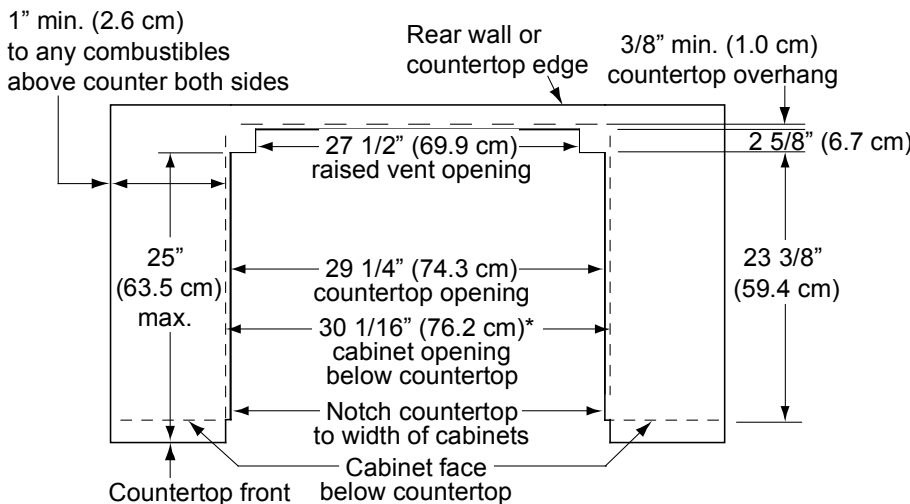
All tolerances +1/16" (+1.6 mm), -0 unless otherwise noted.

Countertop height: 34 3/4" (88.3 cm) min.  
36 7/8" (93.7 cm) max.  
Countertop thickness: 1 5/8" (4.1 cm) max.

- Trim kit PN ATKR30SR is required for proper installation of a raised vent with this range.
- The self-rimming installation of the RR30NI[F]S range and ERV30[15] raised vent create a "built-in" look where the range trim overlaps the countertop on both sides and the raised vent trim overlaps the countertop in back. The ATKR30SR trim kit, installed on the back of the range, will cover the front of the raised vent chassis.
- **IMPORTANT:** When installing the range in this configuration, ventilation must be provided to allow for cooling of the ranges internal components. See diagram, left.
- Observe all vertical cabinet clearances on page 3/5.
- A self-rimming countertop configuration is required for raised vent installation. On installations with a raised vent, when sliding the range into position, it will stop when the rear of the control panel or side panels contact the notches toward the front of the countertop.



**TOP VIEW - DOWNDRAFT ERV30[15] WITH SLIDE-IN, SELF-RIMMING INSTALLATION, 3" SIDE PANELS INSTALLED**



**TOP VIEW - DOWNDRAFT ERV30[15] WITH SLIDE-IN, SELF-RIMMING INSTALLATION, 3" SIDE PANELS REMOVED**

\* To create a "built-in look" on the front of the cabinet, this dimension may be changed to 29 1/4" (74.3 cm), with the width at the notches remaining 30 1/16". This configuration is only for models RR30NIS and RR30NIFS with side panels behind door removed.

## Free Manuals Download Website

<http://myh66.com>

<http://usermanuals.us>

<http://www.somanuals.com>

<http://www.4manuals.cc>

<http://www.manual-lib.com>

<http://www.404manual.com>

<http://www.luxmanual.com>

<http://aubethermostatmanual.com>

Golf course search by state

<http://golfingnear.com>

Email search by domain

<http://emailbydomain.com>

Auto manuals search

<http://auto.somanuals.com>

TV manuals search

<http://tv.somanuals.com>