



INSTALLATION INSTRUCTIONS

WARMING OVEN

For use with models:

*EW, EWO
MW, MWO
PW, PWO
IWO, IOWO*

TABLE OF CONTENTS

Important Safety Instructions	1	Installation Instructions	7-8
Design Specifications	2-3	Verifying the Package Contents	7
Product Dimensions.....	2-3	Removing the Drawer.....	7
Installation Specifications	4-6	Installing the Chassis.....	7
Installation Planning.....	4-5	Re-Installing the Drawer	8
Power Supply Requirements	6	Verifying Operation	8
Installing the Support Platform in the Cabinet.....	6	Installation Checklist.....	8

IMPORTANT:

- ◇ **INSTALLER:** In the interest of safety, read these installation instructions completely before you begin the installation process. Leave these installation instructions with the homeowner.
- ◇ **HOMEOWNER:** Keep these installation instructions for future reference. Save them for the local electrical inspector's use.

CUSTOMER SERVICE INFORMATION

Any questions or problems with this installation should be directed to your Dacor dealer or the Dacor Customer Service Team.

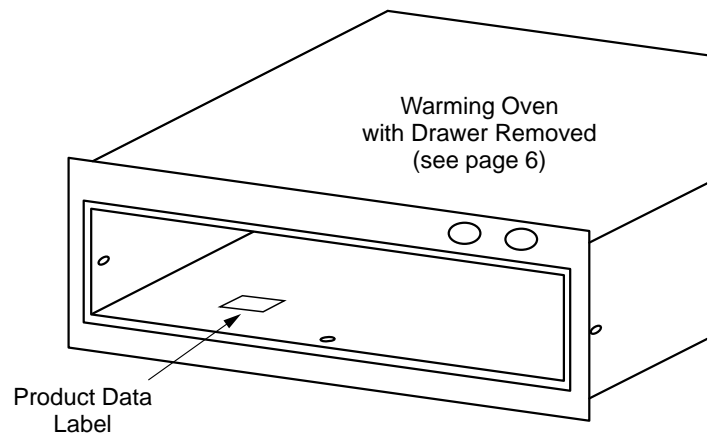
Dacor Customer Service Team

(800) 793-0093 (U.S.A. and Canada)
Monday — Friday 6:00 A.M. to 5:00 P.M. Pacific Time

E-mail: customerservice@Dacor.com

Web site: www.Dacor.com

If the unit requires service, be sure to have the model and serial number available when you call. The model and serial number are found on the product data label.



Product Data Label Location

**All specifications subject to change without notice.
Dacor® assumes no liability for changes to specifications.**

IMPORTANT SAFETY INSTRUCTIONS

IMPORTANT INFORMATION ABOUT SAFETY INSTRUCTIONS

Important Safety Instructions and warnings appearing in these instructions are not meant to cover all possible conditions and situations that can occur. Common sense, caution and care must be exercised when installing, maintaining or operating an appliance.

Installation should be done by a qualified installer.

Always contact Dacor about problems or conditions you do not understand.

Safety Symbols and Labels

DANGER

Immediate hazards that **WILL** result in severe personal injury or death.

WARNING

Hazards or unsafe practices that **COULD** result in severe personal injury or death.

CAUTION

Hazards or unsafe practices that **COULD** result in minor personal injury or property damage.

GENERAL SAFETY PRECAUTIONS

To reduce the risk of fire, electric shock, serious injury or death when installing or using this appliance, follow basic safety precautions, including the following:

WARNING

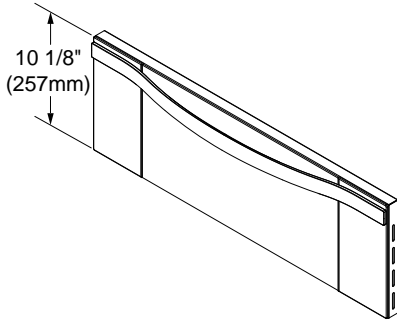
1. Read all instructions before using the appliance.
2. This appliance must be grounded. Connect only to a properly grounded outlet. See "Grounding Instructions."
3. Install or locate this appliance only in accordance with these installation instructions.
4. Use this appliance only for its intended use as described in this manual. Do not use corrosive chemicals or vapors in this appliance. This type of oven is specifically designed to heat and cook food. It is not designed for industrial or laboratory use.
5. As with any appliance, close supervision is necessary when used by children.
6. Do not operate this appliance if it has a damaged electrical cord or plug, if it is not working properly or if it has been damaged or dropped.
7. This appliance should be serviced only by qualified service personnel. Contact the nearest Dacor Authorized Servicer at (800) 793-0093, or at www.Dacor.com for examination, repair or adjustment.
8. Do not cover or block any openings on the appliance.
9. Do not store or use this appliance outdoors, except as noted in these instructions. Do not use this product near water – for example, near a kitchen sink, in a wet basement or near a swimming pool, etc.
10. Do not immerse the electrical cord or plug in water.
11. Keep the electrical cord away from heated surfaces.
12. Some products, such as whole eggs and sealed containers such as closed glass jars may explode and should not be heated in this oven.
13. To reduce the risk of fire in the oven cavity: Do not overcook food. Carefully attend the appliance if paper, plastic or other combustible materials are placed inside the oven.
14. If materials inside the oven should ignite, keep the oven drawer closed and shut off the power at the fuse or the circuit breaker panel.
15. Only model IOWO24 is approved for use in outdoor applications and near water (bathrooms).
16. Model IOWO24, when installed as a towel warmer, must have the wire rack (supplied with the product) installed in the drawer bottom. Secure the rack with with a screw and clip supplied with the rack.

DESIGN SPECIFICATIONS

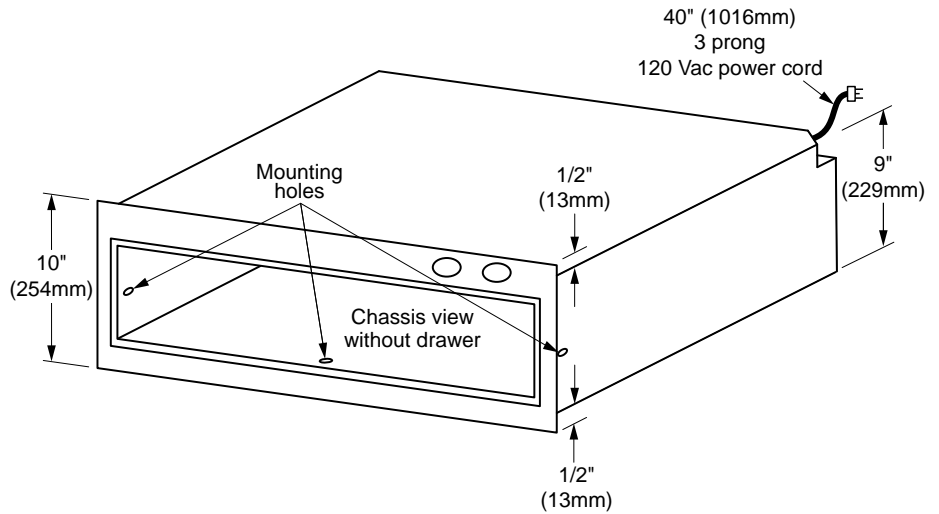
PRODUCT DIMENSIONS

NOTE: All tolerances are + 1/16," - 0" unless otherwise stated.

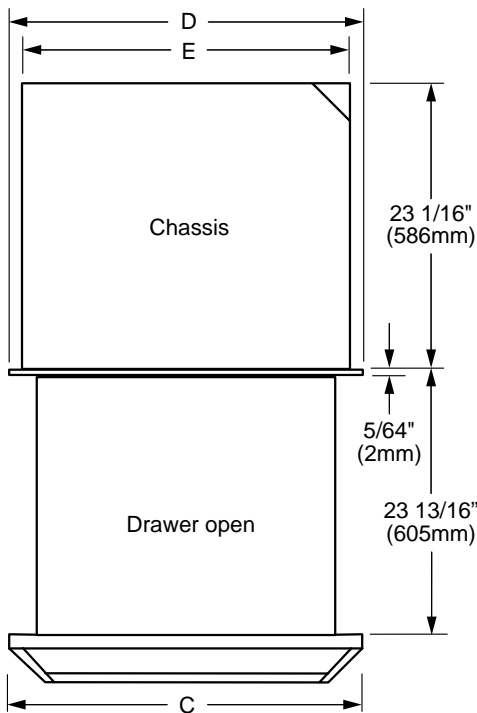
Overall Dimensions (EW, EWO, MW, MWO, PW, PWO)



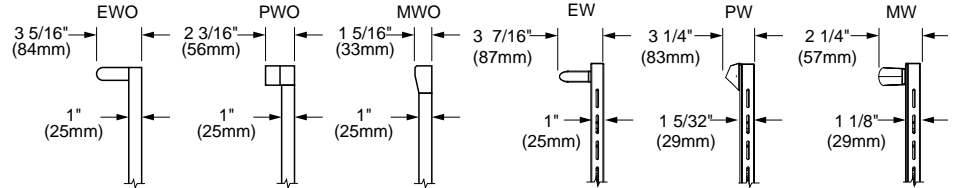
**Drawer Face Dimensions
(MW Shown)**



Chassis Dimensions



**Overall Dimensions - Top View
(EWO shown)**



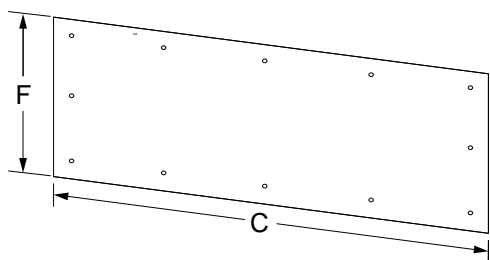
Handle Dimensions

Model	"C" Drawer Face Width	"D" Chassis Face Width	"E" Chassis Width
EWO24	23 7/8" (606mm)	23 11/16" (602mm)	22 3/16" (564mm)
EW27	26 7/8" (683mm)	26 11/16" (678mm)	25 3/16" (640mm)
EWO27			
MW27			
MWO27			
PW27			
EW30	29 7/8" (759mm)	29 11/16" (754mm)	25 3/16" (640mm)
EWO30			
MW30			
MWO30			
PW30			
PWO30	35 7/8" (911mm)	35 11/16" (906mm)	34 1/4" (870mm)
EWO36			

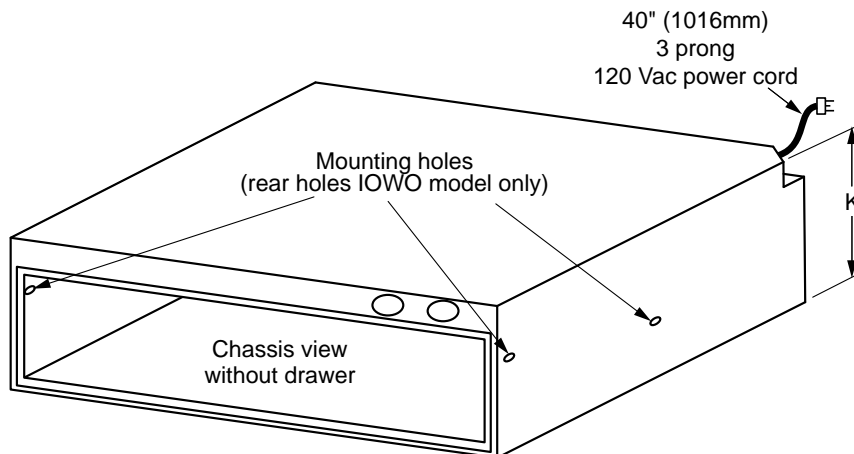
Warming Oven Overall Dimensions

DESIGN SPECIFICATIONS

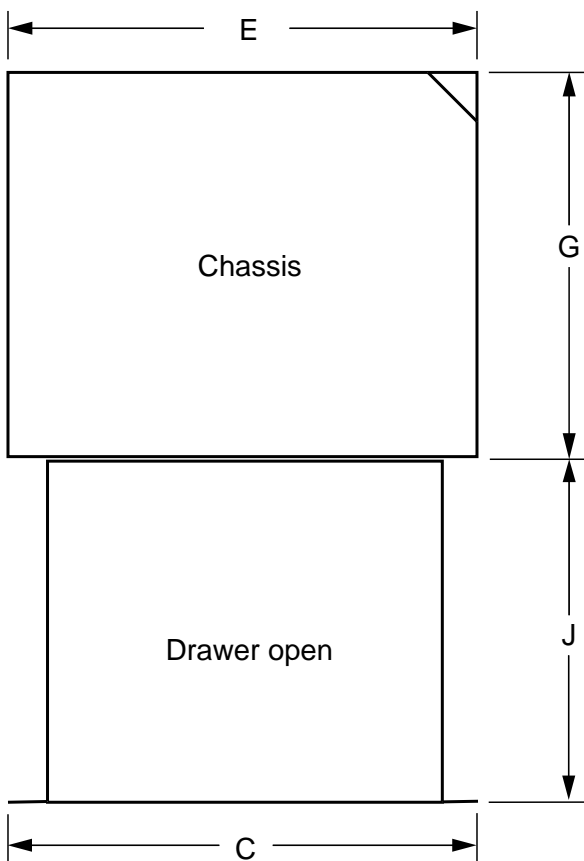
Overall Dimensions (IWO, IOWO)



Drawer Face Dimensions
(IWO Shown)



Chassis Dimensions
(IOWO Shown)



Overall Dimensions
Top View

NOTE: Only model IOWO24 warming ovens are approved for outdoor use. They are designed for installation of a custom designed drawer front or for the Dacor Epicure® drawer front and handle. Order accessory model number AEWP24 through your Dacor dealer.

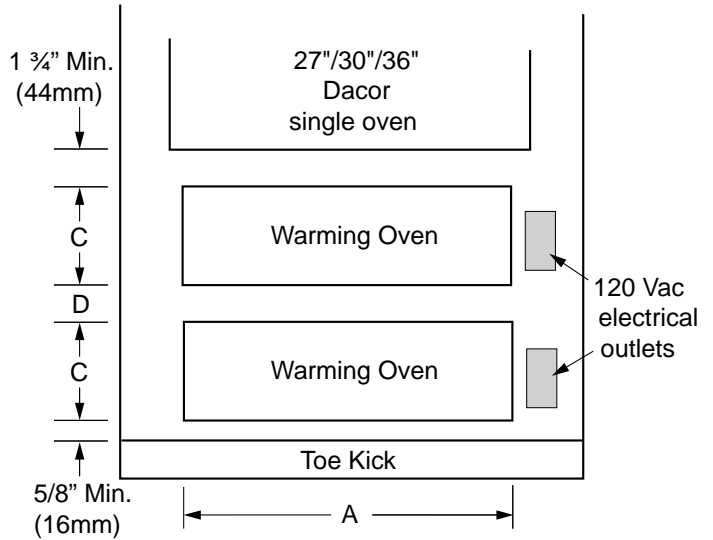
Warming Oven Model No.	Dimension "C" Drawer face width	Dimension "E" Chassis face width	Dimension "F" Drawer face height	Dimension "G" Chassis depth	Dimension "J" Drawer depth	Dimension "K" Chassis height
IOWO24	22 5/16" (567mm)	22 1/2" (572mm)	11 13/16" (300mm)	19 3/4" (502mm)	18 13/16" (478mm)	11 7/8" (302mm)
IWO24		22 3/8" (568mm)	8 15/16" (227mm)	23 1/16" (586mm)	23 13/16" (605mm)	9" (229mm)
IWO27	25 5/16" (643mm)	25 3/8" (645mm)				

Integrated Warming Oven Overall Dimensions

INSTALLATION SPECIFICATIONS

INSTALLATION PLANNING

- ◇ A qualified technician must complete the installation of this built-in appliance. Proper installation is the responsibility of the customer.
- ◇ Carefully check the installation location. The oven should be placed for convenient access. Make certain that electrical power can be provided in the selected location.
- ◇ Plan the installation so that all minimum clearances are met or exceeded. Dimensions shown provide minimum clearances, unless otherwise noted. Be certain that proper clearance is provided for the oven door when it is in the open position.
- ◇ The specified minimum cabinet depth and width must be provided. The cabinet depth and width must completely enclose the recessed portion of the oven.
- ◇ Cabinet cutout dimensions must be used as indicated. All contact surfaces between the appliance and the cabinet must be solid and level. The oven support platform must be flush with the bottom edge of the cabinet cutout.
- ◇ Make certain that you have everything necessary to ensure a proper installation before proceeding.



Stacked Installation with Wall Oven

NOTES:

1. **Minimum Cutout Depth:**

- Model IOWO24 - 20" (508mm)
- All other models - 23 3/8" (594mm)

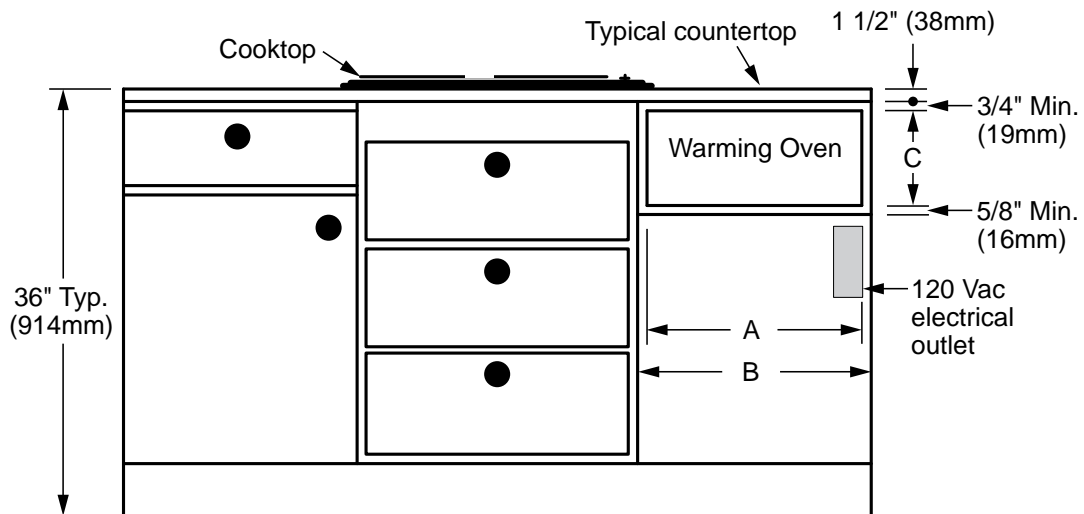
- 2. The IOWO24 and EWO36 models cannot be stacked.
- 3. The IOWO24 warming oven is not approved for installation under a wall oven.

Model	"A" Cutout Width	"B" Min. Width to Adjacent Doors/Drawers	"C" Cutout Height	"D" Min. Gap Between Cutouts
IOWO24	22 9/16" (573mm)	N/A*	12 1/8" (308mm)	N/A*
IWO24	22 1/2" (572mm)			
EWO24		24 1/4" (616mm)	9 1/8" (232mm)	1 1/16" (27mm)
EW27	27 1/4" (692mm)			
EWO27	N/A*	N/A*		
IWO27				
MW27	25 1/2" (648mm)	27 1/4" (692mm)		1 1/16" (27mm)
MWO27				
PW27				
EW30				
EWO30				
MW30				
MWO30				
PW30				
PWO30	30 1/4" (768mm)	N/A*		
EWO36			34 3/8" (873mm)	36 1/4" (921mm)

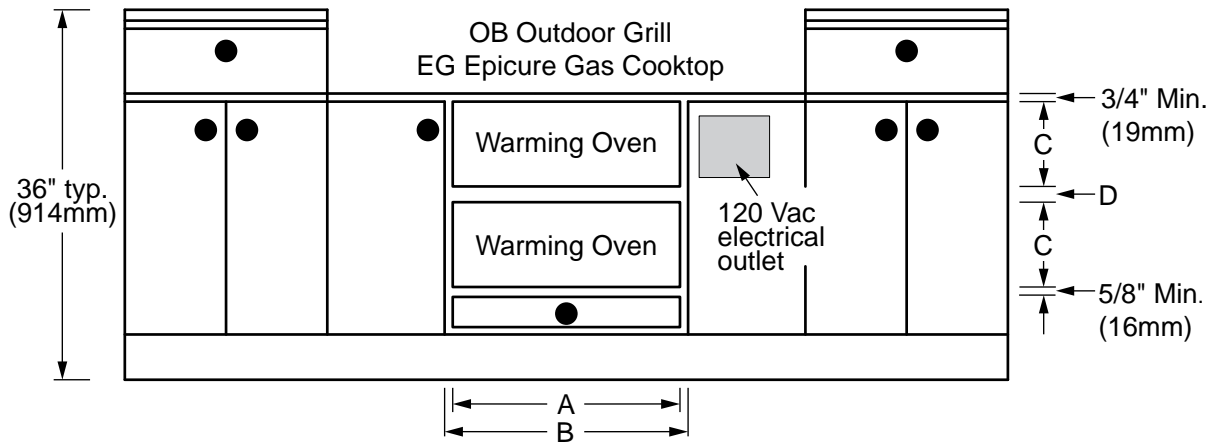
* Depends on size of cabinet face installed.

Table 1: Cutouts Dimensions

INSTALLATION SPECIFICATIONS



Single Installation to Side of Cooktop



Stacked Installation Below Cooktop or Grill

INSTALLATION SPECIFICATIONS

POWER SUPPLY REQUIREMENTS

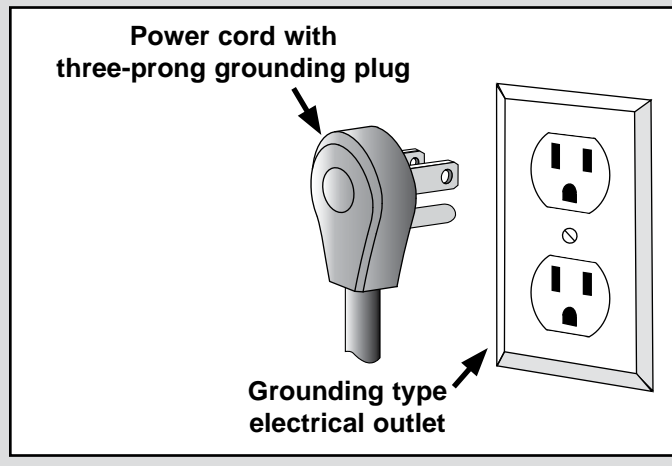
WARNING

Electric shock Hazard – This appliance is equipped with a 40" (1016mm) power cord with a three prong grounded plug. Plug it only into a grounded three prong electrical outlet.

- Do not remove the ground prong.
- Do not use a 2-prong adapter.
- Do not use an extension cord.
- Do not use a power cord that is frayed or damaged.

Failure to comply with the above can result in fire, electric shock, or death.

The electrical outlet for this appliance must only be installed by a licensed electrician.



The correct voltage, frequency and amperage must be supplied to the electrical outlet from a grounded, single phase circuit that is protected by a properly sized circuit breaker or time-delay fuse.

Circuit Requirements:

- ◇ 120 Vac, 60 Hz, 15 Amp. dedicated circuit.

Total Connected Load:

- ◇ Model EWO36: 0.8kW (6.5 Amp.)
- ◇ All other models: 0.5kW (4 Amp.)

NOTES:

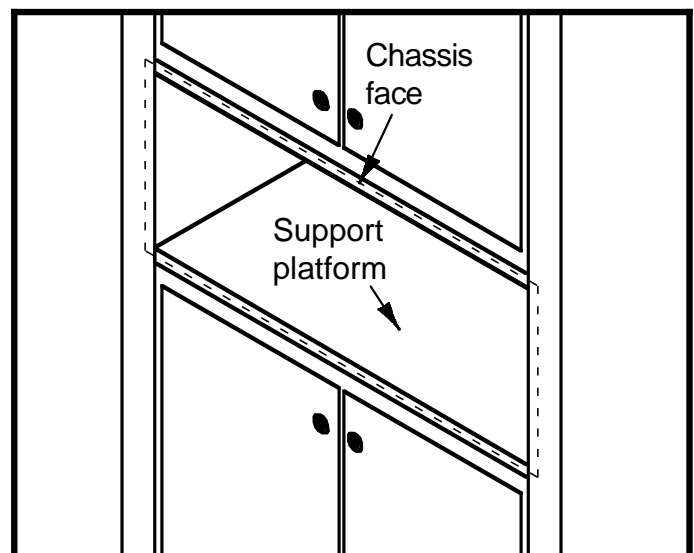
1. The above specifications are for reference only. Refer to the product date label for exact specifications. If the requirements above do not agree with those listed on the product data label, use the information found on the label. See inside the front cover for location.
2. If the electrical service provided does not meet the product specifications, or does not conform to the NEC or local standards, do not proceed with the installation. Call a licensed electrician to install the required electrical service before proceeding.
3. Be certain to locate the electrical outlet in an accessible location, so that the warming oven may be easily unplugged if service becomes necessary.
4. It is the owner's responsibility to ensure that the electrical outlet for this appliance has been installed by a qualified electrician. The electrical installation must comply with the latest revision of the National Electric Code ANSI/NFPA 70 and local codes and ordinances.

INSTALLING THE SUPPORT PLATFORM IN THE CABINET

Provide a platform (100lb. load capacity) within the cabinet upon which the warming oven will be supported. The platform must be installed level and straight. The top edge of the platform must be flush with the cutout at the front of the cabinet. There are no provisions to level the warming oven after it has been installed. 3/4" (19mm) thick plywood is recommended.

NOTE:

If the oven is not installed in a level fashion, the drawer may slide open on its own or may not seal tightly, allowing heat to escape and resulting in poor performance.



INSTALLATION INSTRUCTIONS

VERIFYING THE PACKAGE CONTENTS

- Use and care manual
- Mounting screws
- Wire rack with mounting hardware (IOWO model only)

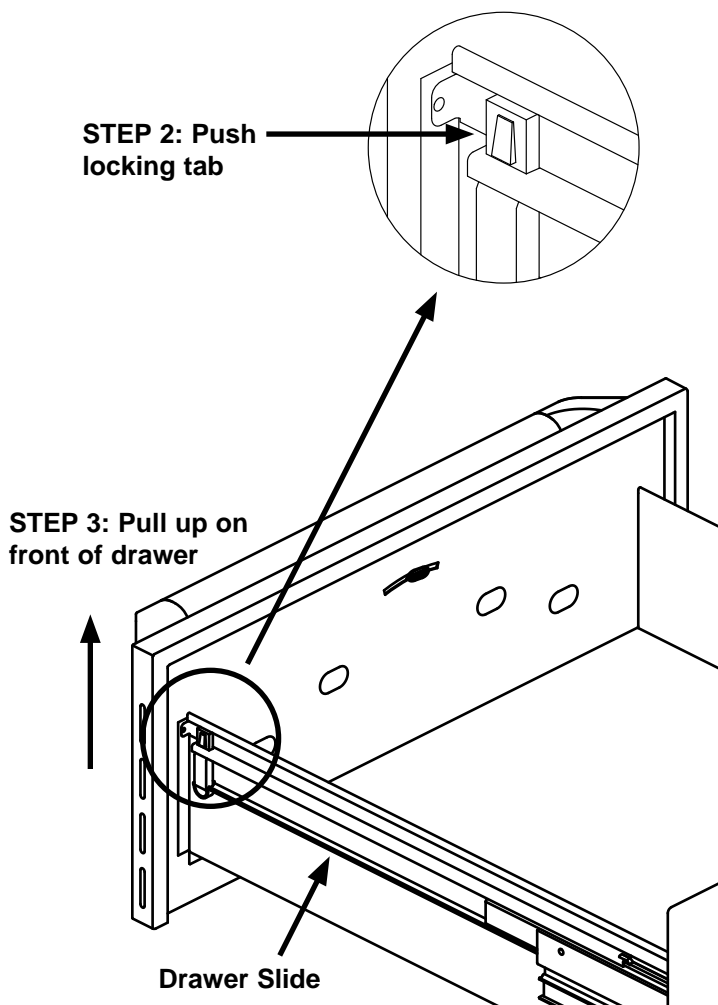
REMOVING THE DRAWER

⚠ WARNING

1. **Verify that the electrical outlet for the warming oven meets the *Power Supply Requirements* on the facing page before proceeding.**
2. **Be certain that power plug is disconnected from the electrical outlet before installation.**

Remove the drawer from the appliance to allow access to the mounting holes during installation, and to reduce weight:

1. Pull the drawer out to the fully open position.
2. Push in on the locking tab on one side as you pull the drawer up.
3. When the drawer comes loose on the slide, repeat the same process on the opposite side.
4. Grip the drawer on both sides and pull it free.
5. For safety, push both drawer slides into the drawer opening.



INSTALLING THE CHASSIS

⚠ WARNING

To avoid personal injury caused by the appliance falling forward when the drawer is opened, secure the chassis to the cabinet and support platform as instructed.

1. Grasp the warming oven chassis on opposite sides and slide it partially into the cabinet opening.
2. Temporarily support the oven in place so that it will not tilt or fall.
3. From an adjoining cabinet, reach in behind the oven and pull the power cord until the plug is next to the electrical outlet. Do not plug in the power cord at this time.
4. After positioning the power cord and plug, slide the chassis completely into the cabinet until the front frame is positioned flush against the cabinet face.
5. Use the screws provided to secure the warming oven chassis to the cabinet and support platform, (You may want to drill pilot holes prior to installing the mounting screws.) Install one mounting screw through the hole provided in the front. A pair of holes go through the side of the chassis for mounting to the cabinet walls.

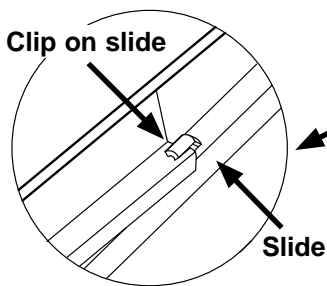
continued...

INSTALLATION INSTRUCTIONS

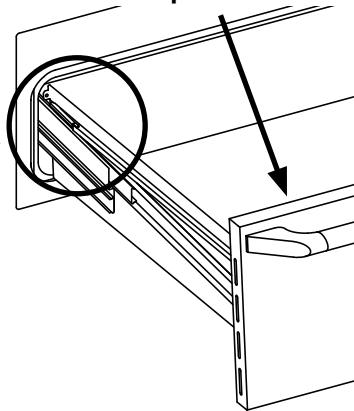
RE-INSTALLING THE DRAWER

1. Pull the drawer slides all the way out of the drawer opening.
2. Gently lower the drawer between the extended slides until the drawer is suspended by the slide rails.
3. Slide the back of the drawer mounting brackets under the drawer mounting clips on the slides.
4. Push the side of the drawer down onto its locking tab, until the tab locks into place.
5. Repeat the same process on the opposite side.
6. Gently open and close the drawer to make sure that it is properly installed.

STEP 3: Slide mounting bracket under clip on slide



STEP 4: Push front of drawer down until tabs lock into place



INSTALLATION CHECKLIST

⚠ WARNING

To ensure a safe and proper installation, the following checklist should be completed by the installer to ensure that no part of the installation has been overlooked.

Proper installation is the responsibility of the homeowner. The importance of proper installation of your warming oven cannot be over-emphasized.

- Has a properly grounded, dedicated, three prong electrical outlet been installed for the appliance by a licensed electrician? See page 6.
- Has the mounting platform been installed according to the instructions on page 6?
- Has the chassis been properly fastened to the mounting platform and sides of the cabinet? See page 7.
- Has the drawer been properly installed?
- Has proper operation been verified?
- Have any problems been noted on the warranty card or during the on-line warranty activation? Has the warranty been activated on-line or the warranty card filled out completely and mailed?

VERIFYING OPERATION

1. Before connecting the power plug, turn the **TEMPERATURE** and **TIMER** knobs are set to the **OFF** position.
2. Plug the power cord into the electrical outlet.
3. Operate the warming drawer as outlined in the use and care manual that accompanied this product.



Free Manuals Download Website

<http://myh66.com>

<http://usermanuals.us>

<http://www.somanuals.com>

<http://www.4manuals.cc>

<http://www.manual-lib.com>

<http://www.404manual.com>

<http://www.luxmanual.com>

<http://aubethermostatmanual.com>

Golf course search by state

<http://golfingnear.com>

Email search by domain

<http://emailbydomain.com>

Auto manuals search

<http://auto.somanuals.com>

TV manuals search

<http://tv.somanuals.com>