

PCOR30

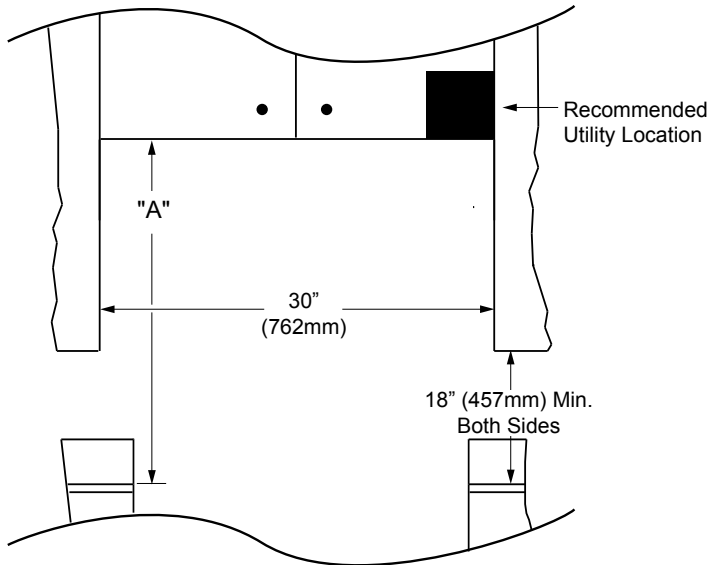
dacor
The Life of the Kitchen.®

092105

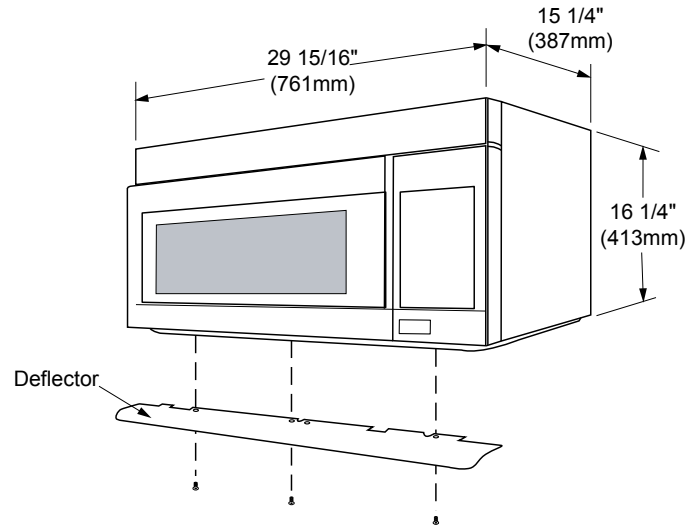
Over the Range Convection Microwave Oven

1/1

PLANNING GUIDE

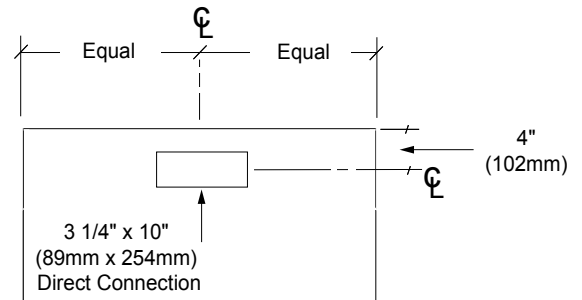


UPPER CABINET DIMENSIONS
(Upper Cabinets 13" (330mm) Maximum Depth)



OVERALL DIMENSIONS

"A" - From Top of PCOR30 to Finished Countertop
34" (864mm) Minimum with deflector for a maximum cooktop surface BTU rating of 44,000 BTU's.
36" (914mm) Minimum without deflector for a maximum cooktop surface BTU rating of 44,000 BTU's.
36" (914mm) Minimum with deflector for a maximum cooktop surface BTU rating of 60,000 BTU's.



**MICROWAVE TOP VIEW
EXHAUST LOCATION**

NOTES:

- 30" electric cooktops or ranges can be installed at 34" (864mm) with deflector or 36" (914mm) without deflector for a maximum cooktop surface rating of 10,000 watts.
- Microwave is supplied with a 48" (1219mm) power cord, with a three prong grounded plug.

Model No.	Dedicated Circuit Required	Total Connected Load	Approximate Shipping Weight
PCOR30	120VAC, 60Hz, 15A (Breaker)	1.56kW (13A)	84 lbs.

Free Manuals Download Website

<http://myh66.com>

<http://usermanuals.us>

<http://www.somanuals.com>

<http://www.4manuals.cc>

<http://www.manual-lib.com>

<http://www.404manual.com>

<http://www.luxmanual.com>

<http://aubethermostatmanual.com>

Golf course search by state

<http://golfingnear.com>

Email search by domain

<http://emailbydomain.com>

Auto manuals search

<http://auto.somanuals.com>

TV manuals search

<http://tv.somanuals.com>