

ECS, MCS, & PCS

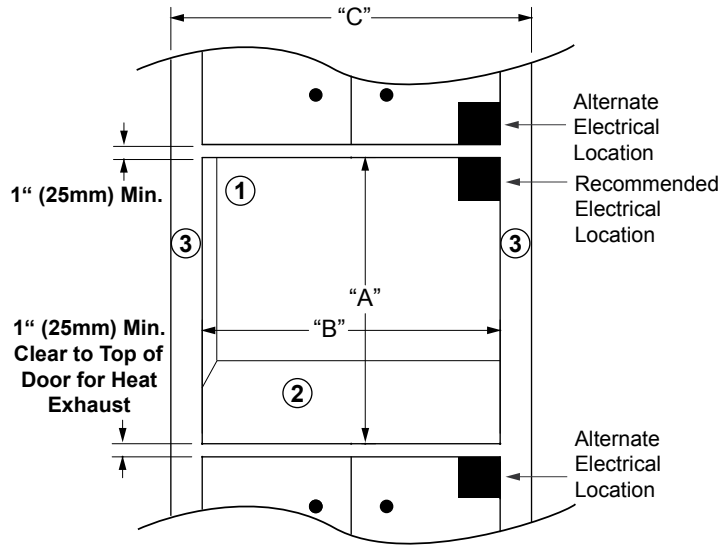


091605

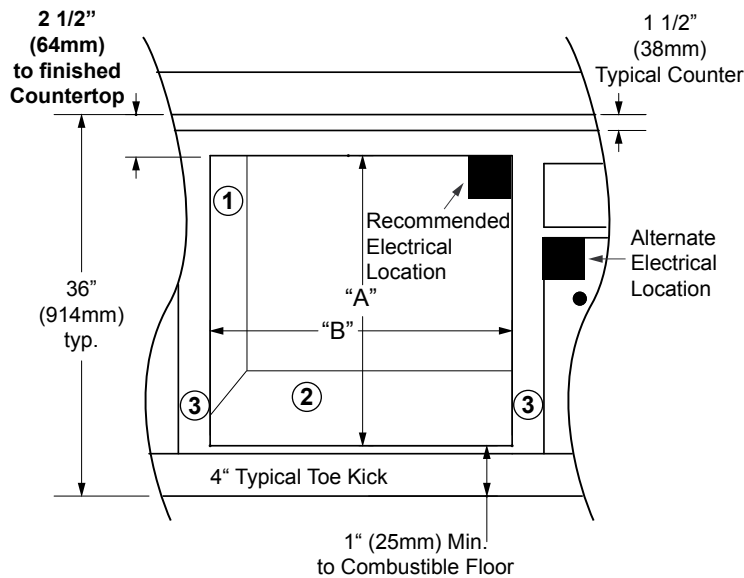
27", 30", 36" Wide, Single, Classic Wall Ovens

1/2

PLANNING GUIDE



CUTOUT DIMENSIONS



**CUTOUT DIMENSIONS
INSTALLED UNDER-COUNTER**

Models	"A" Cutout Height	"B" Cutout Width	"C" Min. Cabinet Width	Oven Overlays
27"	27 3/8" (695mm)	25 1/2" (648mm)	27" (686mm)	3/4" (19mm) Each Side; 15/16" (24mm) Top; 1/16" (1mm) Bottom
30"		28 1/2" (724mm)	30" (762mm)	
36"	27 3/4" (705mm)	34 1/2" (876mm)	36" (914mm)	



NOTES:

1. **24" (610mm) minimum interior cabinet depth.**
Back of cabinet may need to be removed.
2. **3/4" (19mm) support platform (flush with cutout).**
3. **1/8" (3mm) minimum clearance to adjacent cabinet doors/drawers.**
4. **Not approved in a stack configuration.**
5. **See the Combination Installation (CI) Section if installing with a microwave, cooktop, or downdraft.**

ECS, MCS, & PCS

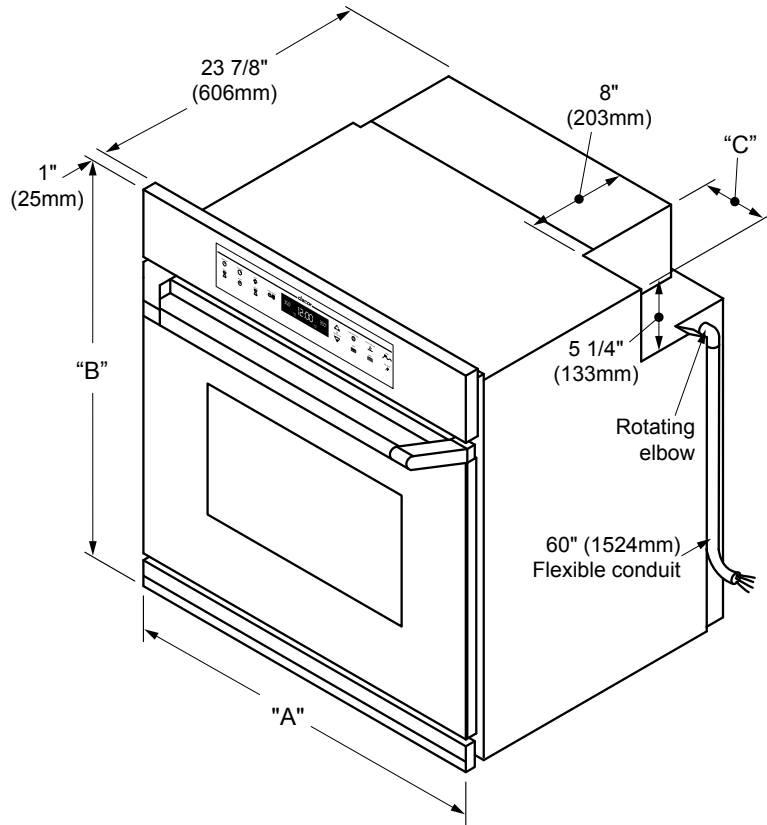


081705

27", 30", 36" Wide, Single, Classic Wall Ovens

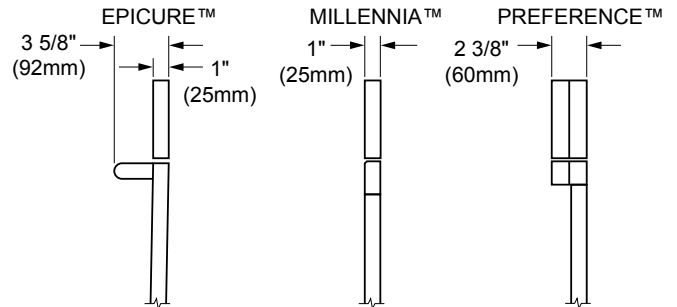
2/2

PLANNING GUIDE

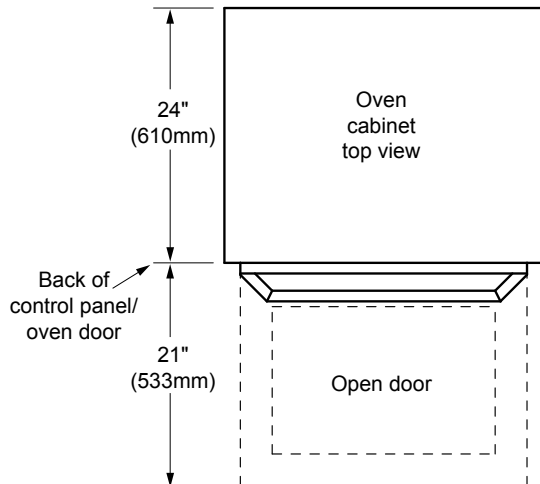


OVERALL DIMENSIONS

Models	"A" Oven Width	"B" Overall Height	"C" Recess Width
27"	27" (686mm)	28 3/8" (721mm)	6 3/16" (157mm)
30"	30" (762mm)		
36"	36" (914mm)	28 1/8" (714mm)	8 3/16" (208mm)



OVEN HANDLE DIMENSIONS



TOP VIEW

Models	Dedicated Circuit Required	Total Connected Load	Approximate Shipping Weight
27"	208/240VAC, 4-wire, 60Hz, 30A (Breaker)	208VAC, 5.2kW (25A)/ 240VAC, 5.2kW (22A)	240 lbs.
30"			
36"	240VAC, 4-wire, 60Hz, 30A (Breaker)	240VAC, 7.0kW (29A)	290 lbs.

Free Manuals Download Website

<http://myh66.com>

<http://usermanuals.us>

<http://www.somanuals.com>

<http://www.4manuals.cc>

<http://www.manual-lib.com>

<http://www.404manual.com>

<http://www.luxmanual.com>

<http://aubethermostatmanual.com>

Golf course search by state

<http://golfingnear.com>

Email search by domain

<http://emailbydomain.com>

Auto manuals search

<http://auto.somanuals.com>

TV manuals search

<http://tv.somanuals.com>