

RANGE MODEL: ER30DSRSCH

dacor
The Life of the Kitchen.®

3-Inch Side Panel Kit,
P/N ARSP3

INSTALLATION
INSTRUCTIONS

Parts included with this kit:

Hardware Kit

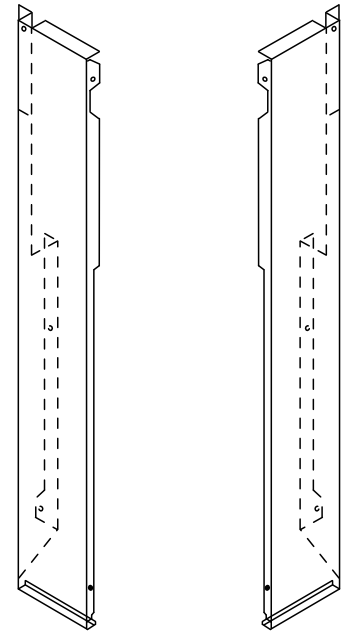
2 X Torx Screw (83709)



5 X Sheet Metal Screw
(83023)



2 Side Panels



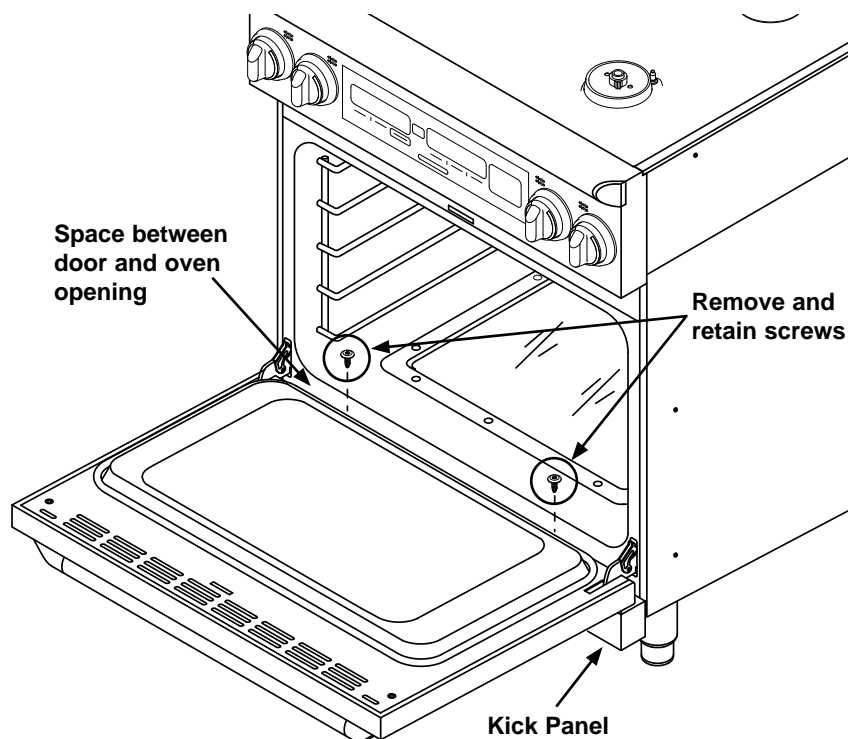
Instructions:

Installing the 3-Inch Side Panel Kit (Model ER30DSRSCH)

For self-rimming installations with non-standard countertop depths, installation of the optional side panel kit may be necessary to cover the sides of the range that protrude from the cabinet.

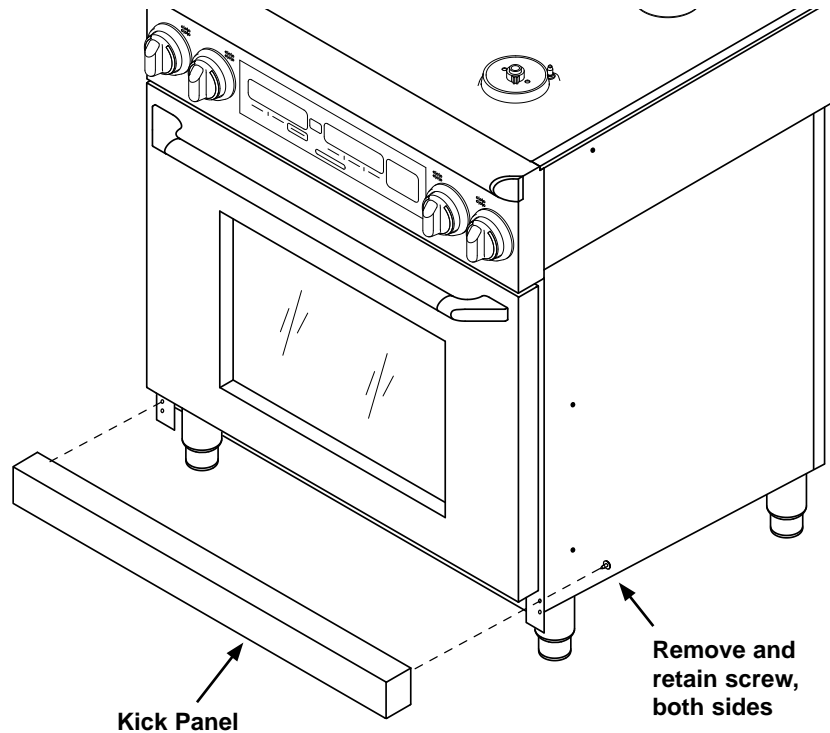
To install the side panel kit:

STEP 1: Open the oven door. Remove and retain the two screws on the top of the kick panel. The screws are accessed through the space between the door and the oven opening.

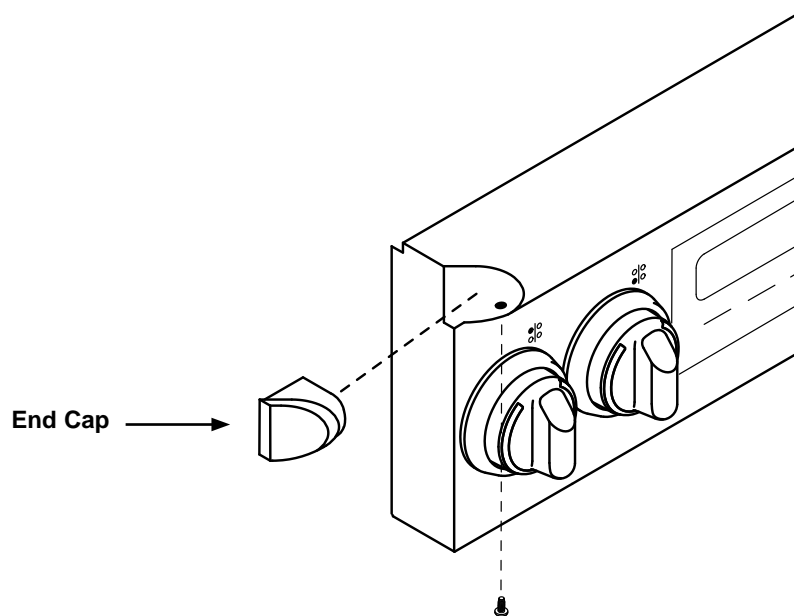


3-Inch Side Panel Kit

STEP 2: Close the door. Remove and retain the two screws from the back of the kick panel as shown below. Pull the kick panel free from the front of the unit.



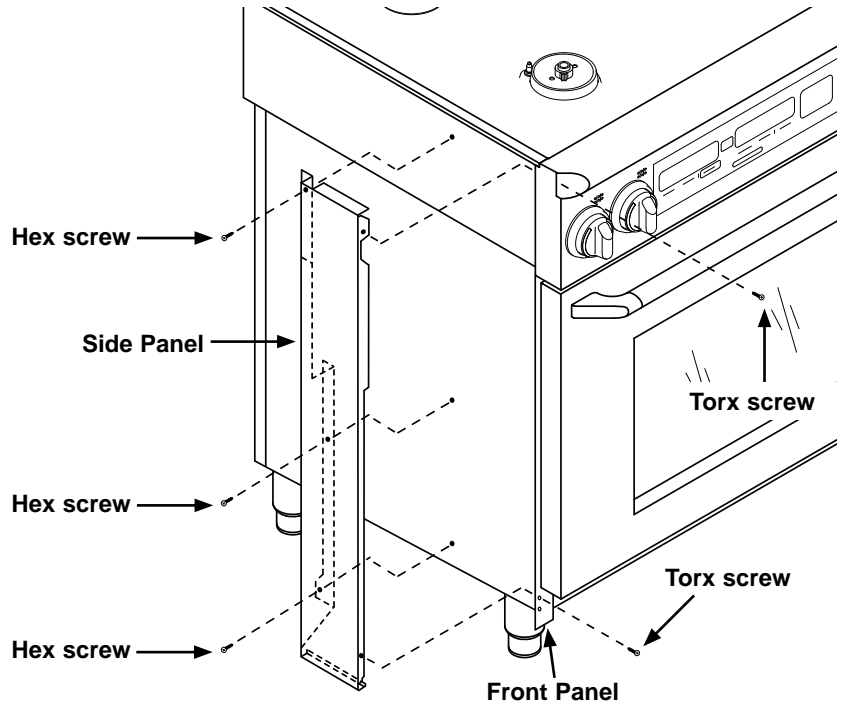
STEP 3: Remove the left end cap retaining screw from under the rim of the control panel and remove the end cap.



3-Inch Side Panel Kit

STEP 4: Hold the left side panel in position on the side of the range. Locate the center mounting hole. Remove and retain the screw attached to the chassis beneath it.

STEP 5: Insert the tabs on the trim piece into the slots on the range.

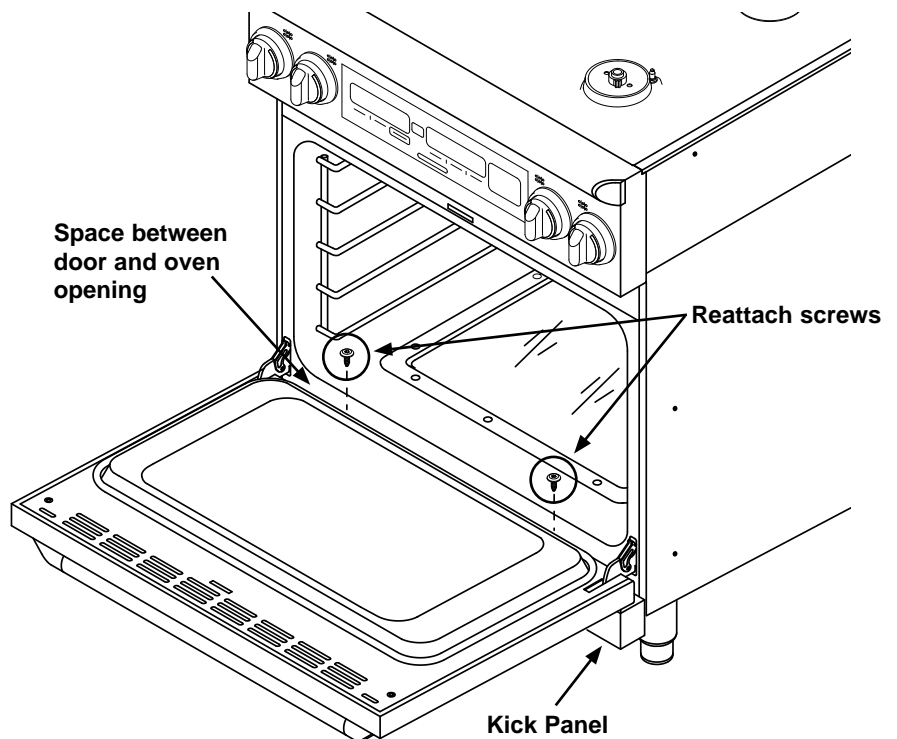


STEP 6: Use the hex head screw (83023) removed from the side, a Torx head screw removed from the kick panel and the hex screws from the kit to attach the side panel to the range. Three (3) hex head screws attach the side. One (1) Torx head screw (83709) inserts through the end cap hole to attach the top of the side panel. One (1) Torx head screw (83709) inserts through a hole in the front panel to attach the bottom of the side panel.

STEP 7: Reinstall the end cap.

STEP 8: Repeat steps 3 to 7 for the right side panel. **NOTE:** There is an additional hex screw (83023) in the kit for the right side panel because the center mounting screw is not reused as with the left side (do not perform step 4).

STEP 9: Reattach the kick panel to the range by snapping the ball studs on the back of the panel into the holes on the front panel of the range. Open the door and reattach the kick panel top screws removed in step 1.





Free Manuals Download Website

<http://myh66.com>

<http://usermanuals.us>

<http://www.somanuals.com>

<http://www.4manuals.cc>

<http://www.manual-lib.com>

<http://www.404manual.com>

<http://www.luxmanual.com>

<http://aubethermostatmanual.com>

Golf course search by state

<http://golfingnear.com>

Email search by domain

<http://emailbydomain.com>

Auto manuals search

<http://auto.somanuals.com>

TV manuals search

<http://tv.somanuals.com>