

PRECAUTIONS FOR PROPER USE OF AIR CONDITIONER

Please observe the following instructions.

1. Operate the Selector Switch to run or stop the unit.
 - Do not use Main Power Switch or Auxiliary Power Switch to operate unit.
2. Do not stick anything into the air outlet or inlet.
 - It is dangerous and it can cause injury or damage.
3. Avoid exposing your body directly to a continuous cool air - flow for long periods.
 - It is not good for your health.
4. Do not pour water on the unit to clean it.
 - It is dangerous and it can cause injury or damage.
 - Never use solvents or harsh chemicals when cleaning the unit.
 - When the air inlet grill and cabinet are dirty, wipe with luke - warm water (below 104°F or 40°C)
5. Avoid placing any obstacles near the inlet or outlet.
 - If the inlet or outlet is blocked with any obstacle, it may cause damage to the unit.
6. Do not run or stop the unit frequently.
 - If you run or stop the unit more then 4-5 times an hour, it can cause damage to the unit.
7. Wait at least 3 minutes before restarting the unit or in the case of power failure.
 - If you turn on the unit within 3 minutes after power off, this can cause damage to the unit.
8. If the air conditioner is operated without an air filter, dust is not removed from the air, and resultant accumulation in the unit may lead to a failure.
 - Do not forget to install the air filter.
9. The air filter should be cleaned at least once every two weeks.
10. When the unit is cleaned, set the Selector Switch at off position.
 - And then unplug the power plug.
11. Never store gasoline or other flammable liquid near the air conditioner.
 - It is very dangerous.
12. Do not force the controls on the front panel too much.
 - It can cause damage the controls and the unit.
13. Set a comfortable temperature.
 - Very low temperature setting considerably increase power consumption.
14. Be careful to keep room temperature comfortable.
 - Avoid continuous direct air flow on you or a sick person while sleeping.
15. Do not remove the plug by pulling the power cord.
 - Damage to the cord and may cause shock hazard.

TABLE OF CONTENTS

1. GENERAL SPECIFICATIONS	2
2. INSTALLATION INSTRUCTIONS	3~8
<ul style="list-style-type: none"> • WINDOW REQUIREMENTS • BASIC TOOLS NEEDED • SAFETY INSTRUCTIONS • BEFORE INSTALLATION • STEP1-PREPARE COMPONENTS FOR INSTALLATION • STEP2-PREPARE WINDOW FOR INSTALLATION • STEP3-PREPARATION OF CHASSIS • STEP4-PLACING CHASSIS • STEP5-SECURE WINDOW SHUTTER • STEP6-RECHECK INSTALLATION • STEP7-INSTALL UNIT AND ASSEMBLE FRONT GRILLE • STEP8-RECHECK THE ENTIRE INSTALLATION 	
3. NAMES OF MAJOR COMPONENTS	9
4. OPERATION INSTRUCTIONS	10
<ul style="list-style-type: none"> • FAN & COOLING CONTROL • TEMPERATURE CONTROL 	
5. GENERAL INFORMATION	11
<ul style="list-style-type: none"> • CHANGING AIR FLOW DIRECTION • AIR FLOW AROUND UNIT • DRAIN HOLE AND WATER DRIPPING OUTSIDE 	
6. CARE AND MAINTENANCE	12
<ul style="list-style-type: none"> • AIR FILTER • CLEANING THE AIR CONDITIONER 	
7. ELECTRICAL REQUIREMENTS	13
<ul style="list-style-type: none"> • ELECTRICAL GROUNDING INSTRUCTIONS. • USE OF EXTENSION CORDS 	
8. BEFORE CALLING FOR SERVICE	14

GENERAL SPECIFICATIONS

MODEL ITEM	DWC-051C	DWC-072C	DWC-073C	DWC-092C	DWC-094C
POWER SOURCE	AC 115V, 60Hz, SINGLE PHASE				
DIMENSIONS	18.9(W) x 14.6(H) x 19.5(D) inch				
	480(W) x 369(H) x 497(D) mm				
WEIGHT	52.2 lbs (23.7 Kg)-Approx.	63 lbs (28.5 Kg)-Approx.		64 lbs (29 Kg)- Approx.	

INSTALLATION INSTRUCTIONS

• WINDOW REQUIREMENTS

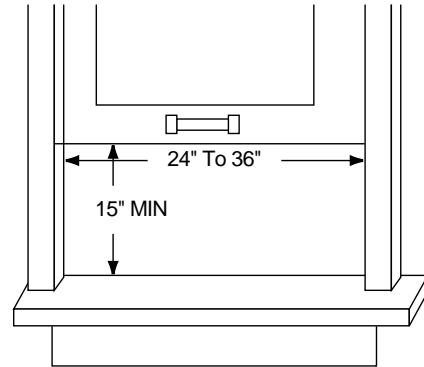
These instructions are provided for a standard double hung window or mobile home double hung window installation in windows 24 inch (610mm) to 36 in (914mm). The upper and lower sash must open sufficiently to allow a clear vertical opening of 15 in (381mm) from the bottom of the sash to the window sill.

Select a centrally located window on the side of the room that receives the least direct sunlight. There should be no obstruction to air flow either inside (i.e curtains) or outside (i.e fence, wall or bushes).

Read this entire installation manual thoroughly before beginning the installation.

Make sure you have the necessary tools and other materials for the job. Study the illustrations in these instructions to become familiar with important details of the installation process.

Read the Use & Care manual to become familiar with the operation of your room air conditioner.



⚠ IMPORTANT :

It is important, both for your personal safety and to avoid possible damage to your home, that you observe the safety instructions that are given.

After installing the unit, re-read these instructions to make sure you have completed each step and all parts are fastened in place for a secure installation.

For best results, perform the installation procedure in the order given. Doing so will minimize the time required to install the unit.

• BASIC TOOLS NEEDED

- Standard screwdriver
- Phillips screwdriver
- Sharp knife
- Carpenter's level
- 1/4" hex driver
- Tape measure
- Electric drill
- 1/8" drill bit

• SAFETY INSTRUCTIONS

⚠ CAUTION

- The air conditioner shall be installed in accordance with the national wiring regulation.
1. Install an exclusive main power switch (main circuit breaker) or GFI (Ground Fault Interrupted) switch.
 2. Be sure to use grounded power source.
 3. Power source for DWC-051C, DWC-072C, DWC-073C, DWC-092C, DWC-094C is 115V.
 4. Consumer must pay charges for wiring and installation.

• SAFETY INSTRUCTIONS (CONTINUED)

The receptacle should be an individual branch circuit used only for this air conditioner. Be sure the electrical service is adequate for the model air conditioner you have chosen. The complete electrical rating of your air conditioner is stated on the name plate located at the unit's side. Be sure the plug receptacle is close enough for the power cord to reach it.

⚠ WARNING :

An extension cord should not be used with your air conditioner!

To minimize shock and fire hazards, proper grounding is important. For your safety and protection, this air conditioner is equipped with a special three-prong grounding plug on the service cord.

⚠ WARNING :

Do not, under any circumstances, cut or remove the grounding prong on the plug. To do so will create a shock hazard.

Your air conditioner must be plugged into a properly grounded and polarized three prong receptacle. Do not use an adapter plug. If the wall receptacle you intend to use will not accept a three-prong plug, or if you are not sure the outlet is adequately grounded or protected by a fuse or circuit breaker, have a qualified electrician install the proper outlet according to the National Electric Code and applicable local code.

• BEFORE INSTALLATION

Test Run Unit : Plug unit into proper power supply outlet.

Refer to operating instructions in this manual for comfortable living. Check all controls for correct operation, then unplug unit.

Determine Correct Mounting procedure-Refer to Window Installation or Through the Wall Installation.

⚠ WARNING :

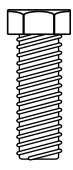



- Moving parts can cause personal injury. Be careful when test-running unit. Do not operate unit with front grille removed .
- Be sure to use an exclusive power source.
- Contact service man for replacement of power cord.

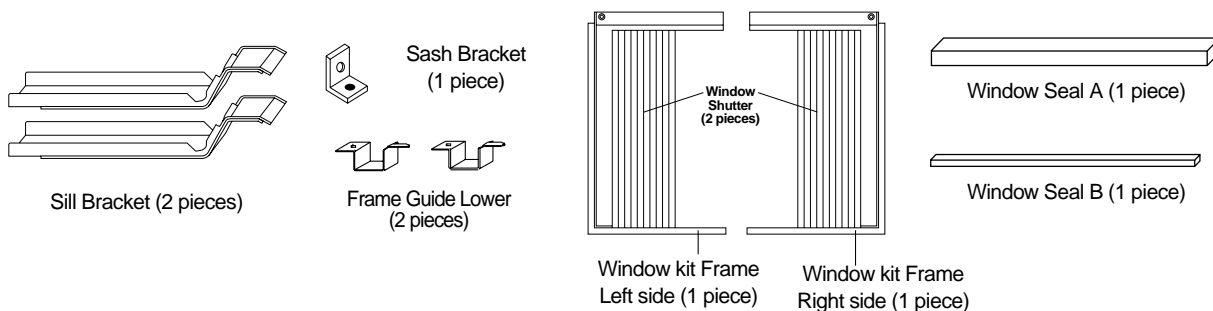
• Step 1 - Prepare Components For Installation

Parts for installation are as follows;

- Sill Bracket (2 pieces)
- Window Kit Left side (Frame 'L+Shutter) - (1 piece)
- Window Kit Right side (Frame 'R+Shutter) - (1 piece)
- Sash Bracket (1 piece)
- Frame Guide Lower - (2 pieces)
- Levelling Screw (Machine M8x45) - (2 pieces)
- 1 1/4 inch Screw (M5x30) - (4 pieces)
- 5/8 inch Screw - (M4x16) - (8 pieces)
- 1/4 inch Screw (M4x6) - (8 pieces)
- Window Seal A, B (2 pieces)

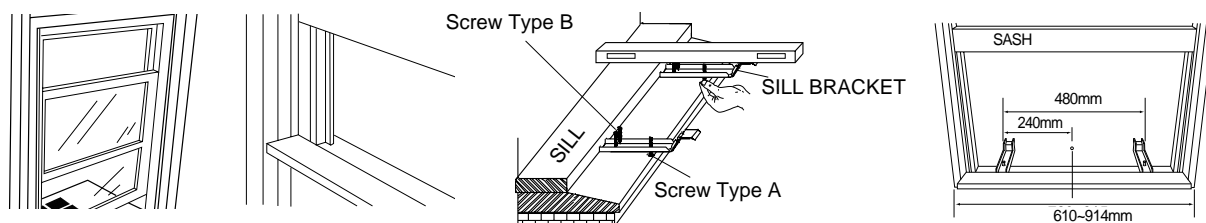
• SCREW TYPE

	Type A	Type B	Type C	Type D
SHAPE				
SPEC	M8 x 45	M5 x 30	M4 x 16	M4 x 6
QTY	2	4	8	8



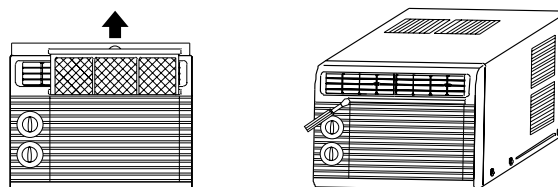
• Step 2 - Prepare Window For Installation

1. Inspect window track, sash and sill to be sure they are strong enough to hold an air conditioner.
2. Measure width between window frame to be sure instant mount will fit in the window. Instant mount models are designed for Windows 24 inch (610mm) to 36 inch (914mm) wide.
3. Mark the center of Window sill with pencil.
4. Insert Screws (Type A) into the sill bracket.
5. Attach Sill bracket to window sill using two Screws (Type B) by each bracket. The outside edge of window bracket should be 9.4 inch (240mm) from center line.
6. Adjust Screw (Type A) so that Sill Bracket have a slight tilt by using carpenter's level meter.



• Step 3 - Preparation of Chassis

1. Pull the Air-filter out of the Front Grille.
2. Loosen screw which fasten Front Grille with driver.
3. Pull knobs out of the control.
(when the knobs are too tight to release, leave them.)

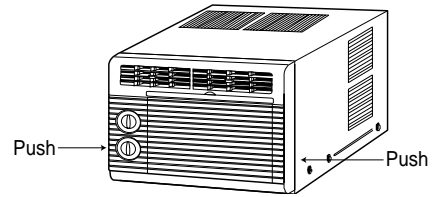


4. Disassemble Front Grille from Chassis.

– Front Grille and chassis are fixed with snap-fit.

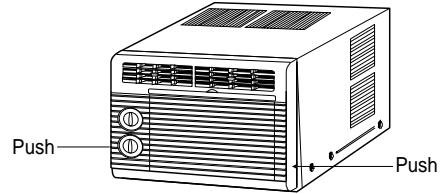
1) Release right-lower snap-fit.

– Push the right lower side of chassis to the left, with pushing left side of Front Grille to the right until the snap-fit is released.

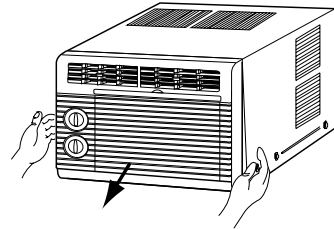


2) Release left-lower snap-fit.

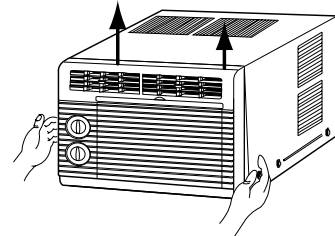
– Push the left-lower side of chassis to the right, with pushing right side of Front Grille to the right until the snap-fit is released.



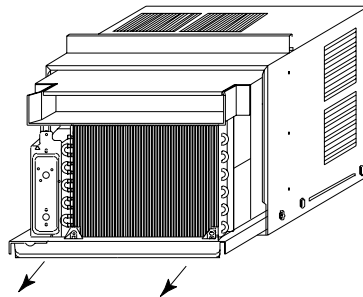
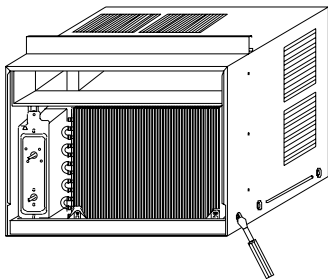
3) Pull lower side of the Front Grille until it is separated from the chassis. (when knobs remain, pull Front Grille until knobs are released from control)



4) Push base side of the Front Grille to upper side until it is separated from the chassis.

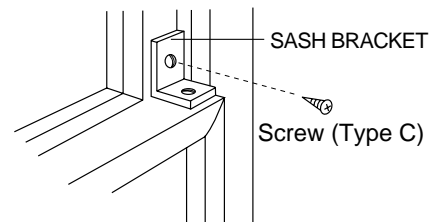
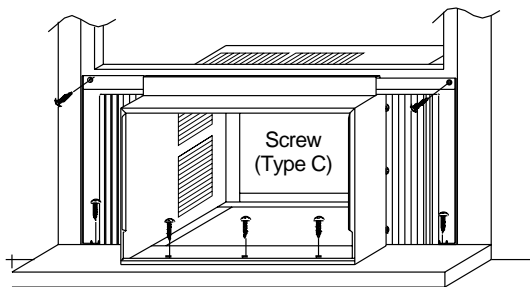
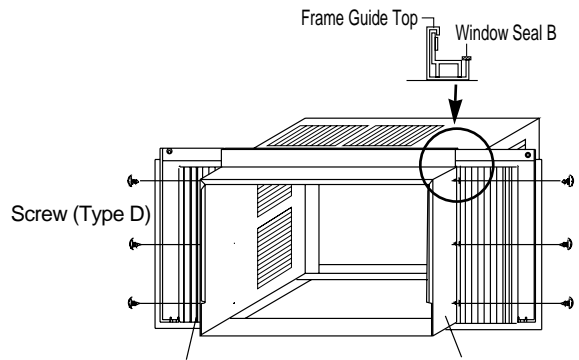
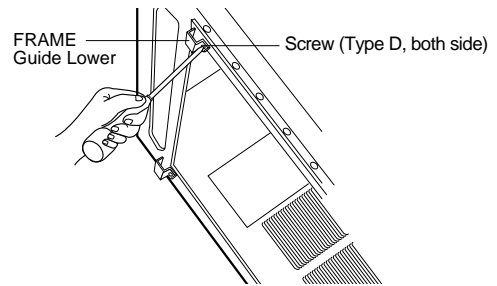


5. After front grille is removed, remove two screws located in both side of chassis and pull out the unit from chassis.



• Step 4 - Placing Chassis

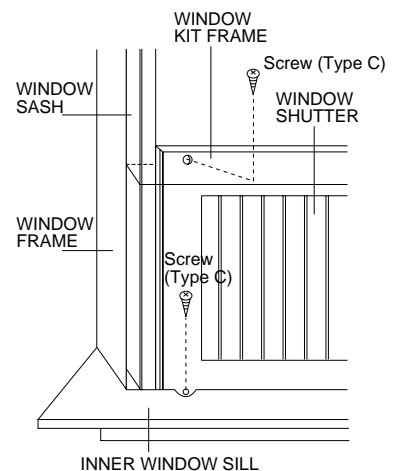
1. Insert narrow side of 'Frame Guide Lower' to rectangle holes located in bottom of chassis, and fasten it with Screw (Type D).
2. Insert Window Kit Frames to Top Guide and Lower Guide.
3. Fasten Shutter to side holes of Chassis with six Screws (Type D).
4. Place the chassis on the window sill and align it with Sill Bracket and sill with Lower Frame Guide and locate window sash to Top Frame Guide. (check the end of chassis for about 1/2 inches (12mm) distance below the level.)
5. Attach the Window seal B to Frame Guide Top.
6. Fasten Front Chassis Bracket to sill with three Screws (Type C).
7. Fasten Sash Bracket with Screw (Type C) to top of indoor window sash or directly into side of window sash or directly into side of window frame. This will prevent raising of the window from the outside. If you have a hard wood or metal window frame, a 1/8 inch pilot hole may be needed in order to drive the screws.
8. Attach the Window Seal A to window (see the picture shown in step 8, page 8)



• Step 5 - Secure Window Shutter

⚠ CAUTION Do not drill into window sash until window has been inspected to make sure drilling or screw will not damage any locking or lifting mechanism located in the frame.

To provide a proper seal, pull each expandable side Window Shutter out and up until it is tight against the window frame. Using the hole in the top and bottom of each Window Kit Frame as a guide, secure Window Kit Frame in window sash and on the window sill.



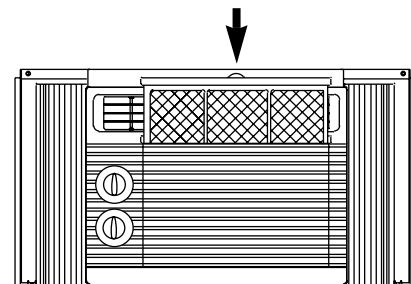
• Step 6 - Recheck Installation

To be sure you have correctly installed your Room Air Conditioner, review the steps and make sure all of the parts are securely fastened in the window as the instructions show. A tight seal is essential. Read through the Use & Care manual to become familiar with the operation of your room air conditioner.

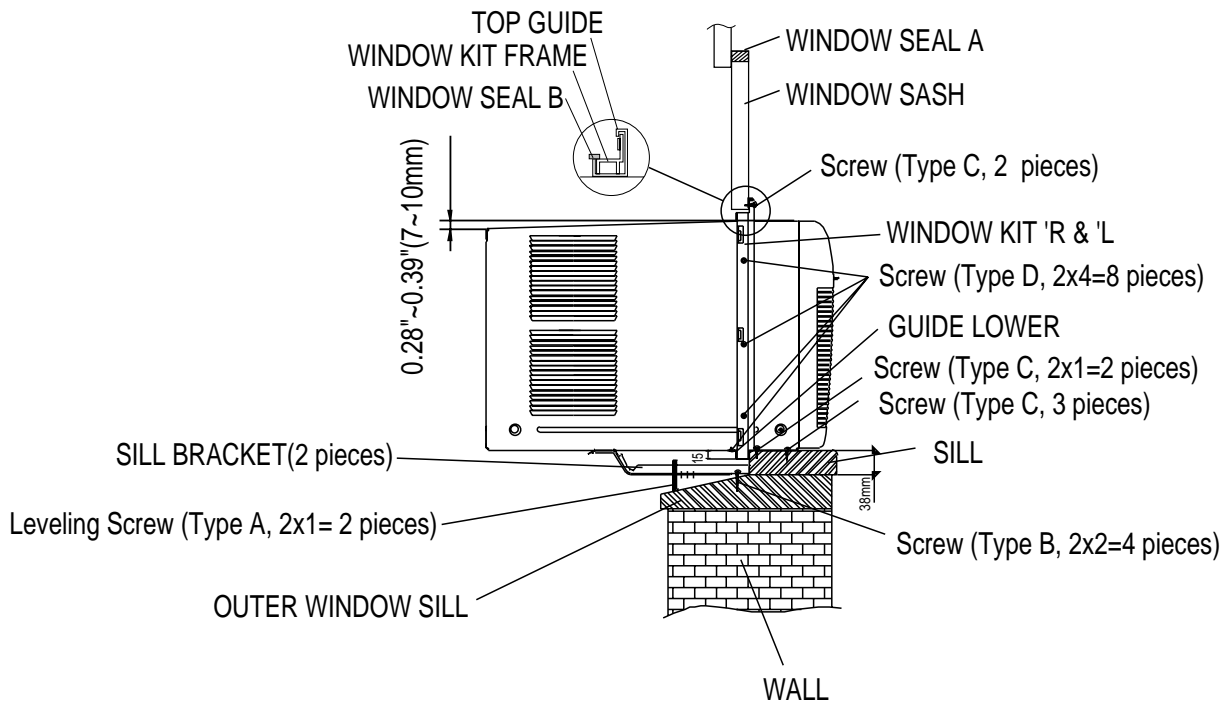
⚠ CAUTION Do not lift window sash without holding the unit. The window sash helps keep the unit in the window. Exercise caution when opening the window. Failure to do so may result in personal injury and/or property damage.

• Step 7 - Install Unit and assemble Front Grille

1. Push the unit into the installed Chassis.
2. Fasten Base Pan and Chassis with screws to side holes.
3. Assemble Front Grille into Chassis holes.
 - Snap Front Grille’s hook to each Chassis holes.
4. Fasten Front Grille with screws.
5. Insert Filter into the Front Grille.
6. Push the Knobs into the control.

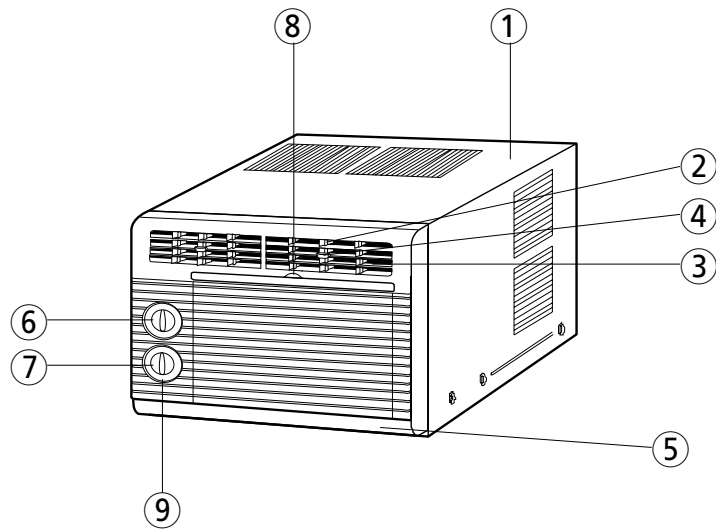
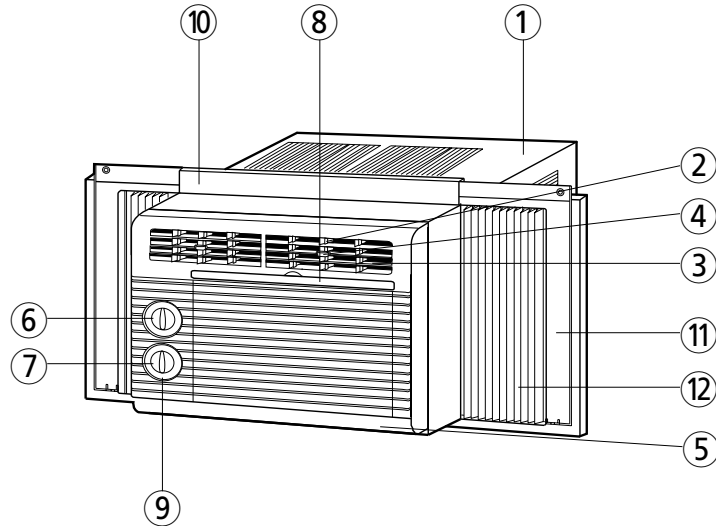


• Step 8 - Recheck the entire installation



NAMES OF MAJOR COMPONENTS

• DWC-051C / DWC-072C / DWC-073C / DWC-092C / DWC-094C



NO	PART NAME	NO	PART NAME
1	CABINET	7	KNOB THERMOSTAT
2	BLADE VERTICAL	8	AIR FILTER
3	BLADE HORIZONTAL	9	CONTROL PANEL
4	KNOB BLADE	10	FRAME GUIDE TOP
5	GRILLE FRONT	11	FRAME WINDOW KIT
6	KNOB SELECTOR	12	SHUTTER WINDOW

OPERATING INSTRUCTIONS

⚠ NOTE

• FOR MOST ECONOMICAL USE

1. Properly control the room temperature.
2. Avoid the unit being exposed to direct sunlight. Keep direct sunlight from the room.
3. Do not leave doors and windows open.

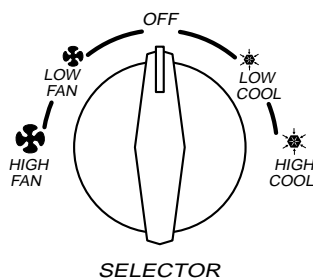
• FAN & COOLING CONTROL

The Fan Control Selector Switch has five positions.

Choose one of the speed settings by rotating the fan control Selector Switch to the appropriate position.

⚠ CAUTION

When the air conditioner has been performing its cooling operation and is turned "OFF" or set to the 'FAN' position, wait at least 3 minutes before resetting to the cooling operation.



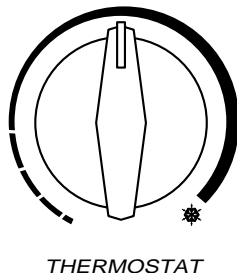
- | | |
|------------------|--|
| OFF | Select this setting for stop all operation of air conditioner |
| HIGH FAN | Select this setting for maximum air circulation without cooling. |
| LOW FAN | Select this setting for quiet air circulation without cooling. |
| HIGH COOL | Select this setting for cooling operation with HIGH FAN. |
| LOW COOL | Select this setting for cooling operation with LOW FAN. |

• TEMPERATURE CONTROL

Choose a temperature settings by rotating the knob of thermostat to the appropriate position

⚠ NOTE

Setting the control at the coldest extreme of the temperature range will not cool the room any faster. Usually the midpoint is a good starting position. If the room temperature is not satisfactory after a reasonable period of time, adjust the temperature control to a lower or higher setting.



- The Thermostat automatically starts and stops cooling operation in order to keep the room temperature at a proper level, and this results in efficient use of power and economical cooling.
- Turn clockwise for a cooler room temperature.
- Turn counter-clockwise for a warmer room temperature.

GENERAL INFORMATION

• CHANGING AIR FLOW DIRECTION

Air flow deflectors divert air from center flow to left or right and up or down. Adjust deflectors for desired air flow pattern.

• AIR FLOW AROUND UNIT

Check in door grill and outdoor louvers for air flow obstructions. Do not block air flow to and from unit. The outdoor coil should be checked and periodically cleaned for debris that may collect and block unit air flow. If air flow is obstructed or deflected back into unit, the compressor may cycle on and off rapidly, causing early compressor failure.

• DRAIN HOLE AND WATER DRIPPING OUTSIDE

Locate drain hole at the rear or on the bottom of unit. Water in base pan is picked up by the fan blade and thrown onto the warm outdoor coil where it evaporates. The air conditioner must be installed level or tilted slightly to the outside for proper water disposal. On exceptionally hot and humid days the air conditioner may permit excess water to pass thru rear drain hole or overflow. This should be considered normal.

CARE AND MAINTENANCE

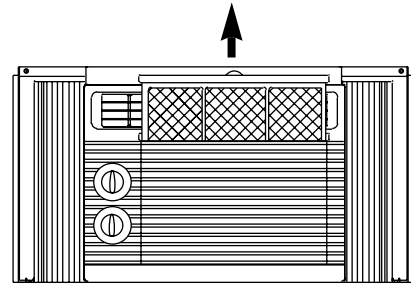
⚠ CAUTION

To avoid death or personal injury due to electrical shock, turn fan control OFF and unplug power cord before cleaning or performing maintenance. After cleaning or performing maintenance, reconnect power.

• AIR FILTER

Clean the air filter, which removes dust inside the room. It should be washed at least once every week during operation.

1. Remove the Air Filter from the front grill by pulling up.
2. Clean Air Filter with a vacuum cleaner or lukewarm, soapy water.
3. Shake it when clean to remove moisture completely. Reinstall.

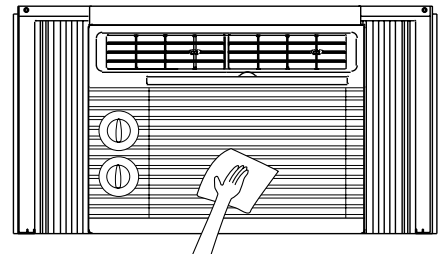


NOTE

A dirty Air Filter reduces air flow and the cooling capacity. Do not operate unit without Air Filter.

• CLEANING THE AIR CONDITIONER

1. At least once a year, remove cabinet and thoroughly clean air conditioner. Have the unit inspected by an authorized service man to ensure unit is functioning properly.
2. Wash air conditioner with lukewarm, soapy water as needed. Rinse and dry thoroughly.
3. If using concentrated liquid detergent, dilute in warm water first.
4. Front grill may be wiped off with a cloth dampened in a mild detergent solution.
5. Cabinet may be washed with mild soap or detergent and lukewarm water, then polished with liquid wax for appliances.
6. Condenser and Evaporator coils should be cleaned at the beginning of each cooling season. Use a soft brush or vacuum cleaner to clean them, making sure that the Condenser and Evaporator coils are not damaged.
7. Do not use abrasive cleaners. These items scratch, crack and discolor surfaces.



NOTE

To assure continued peak efficiency, condenser coils (weather side of unit) should be checked periodically and cleaned if clogged with soot or dirt from the atmosphere.

ELECTRICAL REQUIREMENTS

• ELECTRICAL GROUNDING INSTRUCTIONS

This appliance is equipped with a three-prong(grounding) plug for protection against possible shock hazards. If a two-prong wall receptacle is encountered, the customer is required to contact a qualified electrician and have the two-prong wall receptacle replaced with a properly grounded three-prong wall receptacle in accordance with the National Electrical Code.

⚠ WARNING :

To avoid death, personal injury or property damage due to electrical shock, this unit must be grounded.

Do not under any circumstances cut or remove the round grounding prong from the plug.

Do not use a two prong adapter.

• USE OF EXTENSION CORD

Because of potential safety hazards under certain condition, we strongly recommend against the use of an extension cord. However, if you still elect to use an extension cord, it is absolutely necessary that it will be a UL listed 3-wire grounding type appliance extension cord rated has a 3-blade grounding plug and a 3-slot receptacle that will plug into the appliance. The marked rating of the extension cord should be 125V/13A minimum.

⚠ WARNING :

To avoid death, personal injury or property damage due to electrical shock, do not use an extension cord or pinch the power cord.

Do not remove the warning tag from the power cord.

BEFORE CALLING FOR SERVICE

When you find something wrong with your room air conditioner, please carefully check the following items. If you are unable to find the cause of trouble, contact your service dealer.

Difficulty	Possible Cause	Suggested Solution
<ul style="list-style-type: none"> • Air conditioner does not operate. 	<ul style="list-style-type: none"> • No power to unit. 	<ul style="list-style-type: none"> • Set Fan Control Select to position other than "OFF". • Confirm power cord is plugged in. • Verify main power switch (main circuit breaker) or fuse of the unit is good.
<ul style="list-style-type: none"> • Little or no cooling 	<ul style="list-style-type: none"> • Compressor lockout on initial plug in. • Dirty air filter • Is there anything blocking the front? • Thermostat is not adjusted correctly. • Air conditioner undersized for application. 	<ul style="list-style-type: none"> • Wait 3 to 4 minutes and restart the unit. • Clean air filter. • When blocked by curtains, blinds, or furnitures, etc., the air flow is restricted and cooling performance is affected. • Adjust thermostat correctly. • Check with dealer to determine proper unit capacity for application.
<ul style="list-style-type: none"> • Noisy unit 	<ul style="list-style-type: none"> • Loose parts • Weak building construction. • Water hitting fan. 	<ul style="list-style-type: none"> • Tighten any loose parts. • Provide additional support. • Normal in high humidity. • Stop noise by allowing water to drain from base fan through drain hole.
<ul style="list-style-type: none"> • Ordors from unit 	<ul style="list-style-type: none"> • Mold, mildew or algae formation on wet surfaces. 	<ul style="list-style-type: none"> • Place algaecide tablet in base pan • Remove water in base pan through drain hole.
<ul style="list-style-type: none"> • Water in base pan. 	<ul style="list-style-type: none"> • Normal for operation in humid areas. 	<ul style="list-style-type: none"> • Water in base pan is picked up by the fan blade and thrown onto the warm outdoor coil where water then evaporates.

Limited Warranty

DAEWOO

DAEWOO ELECTRONICS CORPORATION OF AMERICA warrants the following window room air-conditioner to be free from defective material and workmanship and agrees to remedy any such defect or to furnish a new part (at the Company's option) in exchange for any part of any unit of its manufacture which under normal installation, use and service disclosed such defect, provided the unit is delivered by the owner to store or dealer where purchased or Daewoo authorized service center. To establish and receive warranty service at our store, dealer or our authorized service center, a sales receipt or bill of sales is required for proof of purchase.

This warranty does not extend to any of our electronic products which have been subjected to misuse, neglect, accident, incorrect wiring not our own, improper installation, unauthorized modification, or to use in violation of instructions furnished by us, nor units which have been repaired or altered outside of our factory, nor to cases where the serial number thereof has been removed, defaced, or changed.

This warranty is in lieu of all warranties expressed or implied and no representative or person is authorized to assume for us any other liability in connection with the sales of our electronic products.

Over the counter exchange for units that are initially defective. Initial defective is described as when the dealer opens the unit and finds that it is inoperative or an individual customer opening a new unit and finding that it is initially defective. This unit may be returned to the factory by the dealer for exchange. Under no circumstances will an individual customer be permitted to return defective unit directly to factory. Exchange must be directly with the dealer. When this unit is returned to dealer, a copy of the purchase evidence stating the date of purchase is to be put in the individual box for dealer's further control with the factory.

<u>MODEL</u>	<u>PARTS</u>	<u>LABOR</u>	<u>COMPRESSOR</u>
DWC-051C			
DWC-072C			
DWC-073C	1 year	1 year	5 years
DWC-092C			
DWC-094C			

Note: The warranty service center list is constantly changing with the addition of our current qualified service centers. If there is inadequate or no local service facility, subject individual customer will call DAEWOO on the toll free number **1-800-DAEWOO8(1-800-323-9668)** to be provided with further informations.



**ROOM AIR CONDITIONER
USE & CARE MANUAL
WINDOW TYPE ROOM AIR CONDITIONER**

MODEL #: **DWC-051C**
DWC-072C
DWC-073C
DWC-092C
DWC-094C



Please read carefully and thoroughly this manual before operating the unit.
If you still have any difficulties or problems, consult your dealer for help or **DAEWOO** ELECTRONICS.
Please keep this manual well.

W1

Free Manuals Download Website

<http://myh66.com>

<http://usermanuals.us>

<http://www.somanuals.com>

<http://www.4manuals.cc>

<http://www.manual-lib.com>

<http://www.404manual.com>

<http://www.luxmanual.com>

<http://aubethermostatmanual.com>

Golf course search by state

<http://golfingnear.com>

Email search by domain

<http://emailbydomain.com>

Auto manuals search

<http://auto.somanuals.com>

TV manuals search

<http://tv.somanuals.com>