

DAEWOO

# Service Manual

## Window Type Room Air Conditioner

Model: DWC-121R / (DWC-124R)

DWA-122R / (DWA-124R)

DWB-122R / (DWB-124R)

DWA-121R / DWB-121R

DWB-123R / DWA-150R

DWA-151R / (DWA-152R)

### ✓ Caution

: In this Manual, some parts can be changed for improving, their performance without notice in the parts list. So, if you need the latest parts information, please refer to PPL(Parts Price List) in Service Information Center (<http://svc.dwe.co.kr>).



DAEWOO ELECTRONICS CO., LTD.



# Contents

## CONTENTS

- 1. Specifications .....2
- 2. Operation .....3
- 3. Wiring Diagram ..... 12
- 4. Refrigerant Cycle ..... 13
- 5. Control Block Diagram ..... 14
- 6. Circuit Diagram ..... 15
- 7. Trouble Shooting..... 18
- 8. Key Components of Electronic Circuit .....28
- 9. Disassembly Instructions .....30
- 10. Exploded Diagram and Parts List.....33

# 1. SPECIFICATIONS

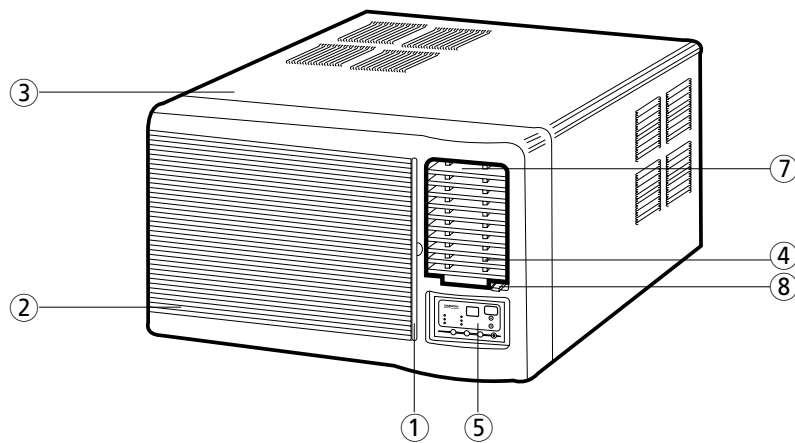
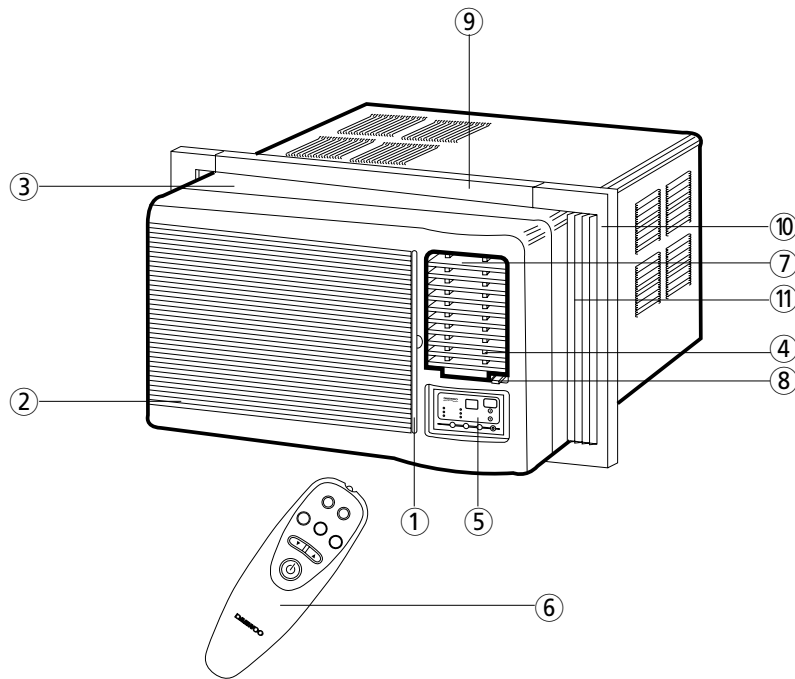
ITEM		MODEL	DWC-121R (DWC-124R)	DWA-121R	DWA-122R (DWA-124R)	DWB-121R	DWB-122R (DWB-124R)	DWB-123R	DWA-150R	DWA-151R (DWA-152R)
Function		Cooling only								
Power source		AC 115V, 60Hz	AC 208~230V, 60Hz		AC 220-240V, 50Hz	AC 220-230V, 50Hz	AC 240V, 50Hz	AC 208~230V, 60Hz		
Cooling Capacity	Btu/h	12,100	12,000	12,000	11,700	12,000	11,500	14,018	14,000	
	Kcal/h	3,050	3,024	3,024	2,950	3,024	2,898	3,533	3,528	
Energy Efficiency Ratio	Btu/wh	10.1	10.2	10.1	9.9	10.0	10.0	9.4	9.8	
	Kcal/wh	2.55	2.57	2.55	2.49	2.52	2.52	2.38	2.47	
Dehumidification	Pts/h	3.40	3.61	3.14	3.30	2.66	2.71	4.04	3.93	
	g/h	1,545	1,640	1,427	1,500	1,209	1,836	1,786	1,232	
Electrical Data	Power Input (W)	1,200	1,175	1,184	1,180	1,150	1,150	1,487	1,420	
	Running Current (A)	11.5	5.5	5.5	5.2	5.4	5.4	6.7	6.5	
Compressor	Type	Rotary								
	Model	QK164CN12	QK164KN12	RBA115A001	QK196PN13A	RBB110A011	RBF110A011	QJ196KC23B	RCA135A001	
	Capacitor	40µF/370VAC	25µF/370VAC		30µF/400VAC			25µF/370VAC		
Motor	Model	AM12DWD10-1/ OBM-2501K	AM12DWD12-1/OBM-2502U1		A2925CA070/OBM-2501P2			AM12DWD11-1/OBM-2503U1		
	Capacitor	12µF/370VAC	5µF/370VAC		5µF/400VAC			4µF/370VAC		
	Indoor-Fan	Blower-Fan								
	Outdoor-Fan	Propeller-Fan								
Refrigerant(R-22)	Control	Capillary								
	Charge Q'ty (g)	680	740	790	730	690	760	790	780	
Dimensions	Unit(W x H x D)	23.6(W) x 14.9(H) x 21.0(D) inch (600(W) x 380(H) x 535(D) mm)								
	Packing(W x H x D)	26.1(W) x 18.1(H) x 22.6(D) inch (663(W) x 460(H) x 573(D) mm)								
Weight	Net Weight	88 lbs (38.8Kg)	88 lbs (38.8Kg)		90.2 lbs (39.8Kg)			92 lbs (42Kg)		
	Gross Weight	89 lbs (40.3 Kg)	89 lbs (40.3 Kg)		97.5 lbs (43Kg)			96 lbs (43.5Kg)		

- DWA-124R, DWB-124R, DWC-124R, DWA-152R;  
Except detachable Double Grille Front, the general spec of this model is same to one of the old models.

# 2. OPERATION

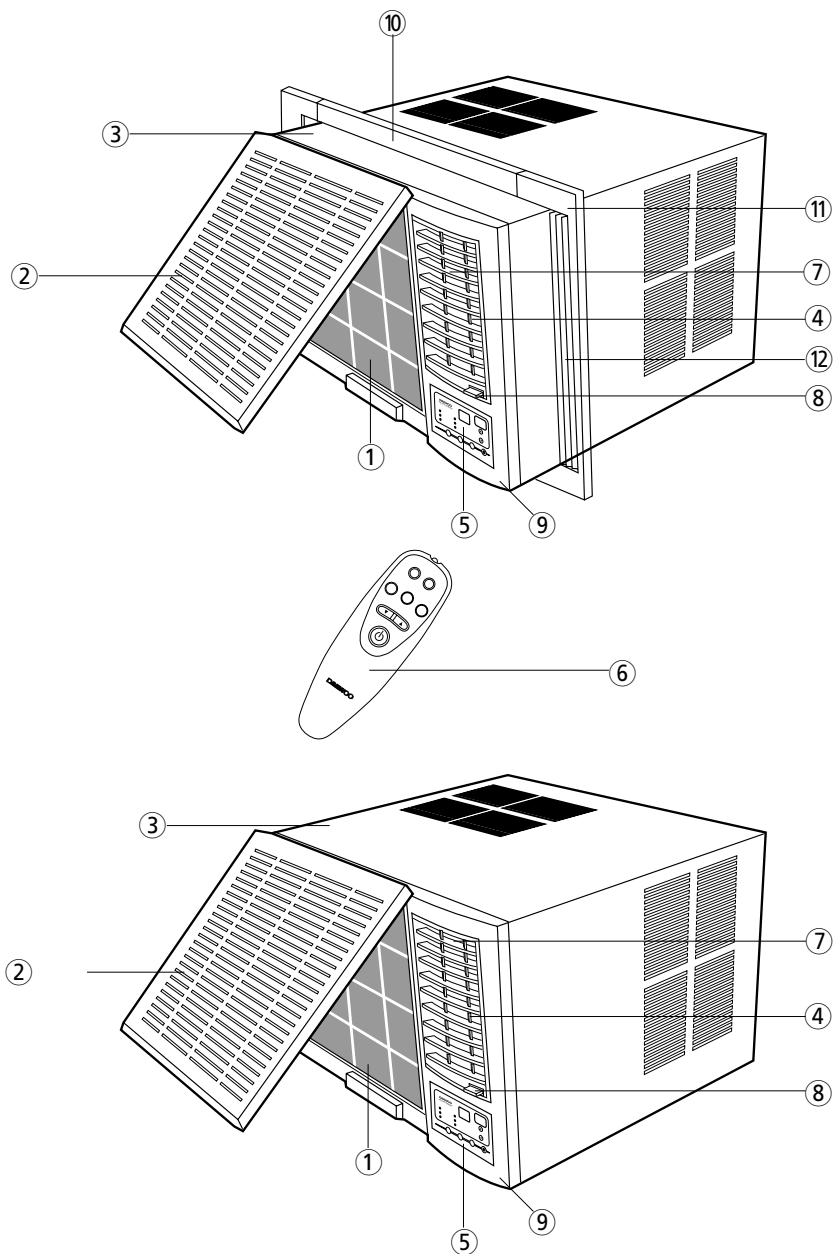
## 1 PARTS OF NAME AND FUNCTION

● DW\*-121R/DW\*-122R/DWB-123R/DWA-150R/DWA-151R (NOTE:\* → A or B or C)



NO	PART NAME	NO	PART NAME
1	AIR FILTER	7	BLADE HORIZONTAL
2	GRILLE FRONT	8	AIR VENT
3	CABINET	9	FRAME GUIDE TOP
4	BLADE VERTICAL	10	FRAME WINDOW KIT
5	PANEL CONTROL	11	SHUTTER WINDOW
6	REMOTE CONTROLLER		

● DW\*-124R/DWA-152R (NOTE:\* → A or B or C)



NO	PART NAME	NO	PART NAME
1	AIR FILTER	7	BLADE HORIZONTAL
2	GRILLE	8	AIR VENT
3	CABINET	9	FRAME GRILLE
4	BLADE VERTICAL	10	FRAME GUIDE TOP
5	PANEL CONTROL	11	FRAME WINDOW KIT
6	REMOTE CONTROLLER	12	SHUTTER WINDOW

## 2 REMOTE CONTROLLER

### REMOCON SIGNAL TRANSMITTER

#### TIMER/CANCEL

- Everytime you push this button, timer is set as follow.  
(1Hr→2Hr→3Hr→4Hr→5Hr→6Hr→8Hr→10Hr→12Hr→16Hr→20Hr→24Hr→CANCEL).
- After the unit is timed, if this button is pushed, timer is canceled.

#### FAN SPEED

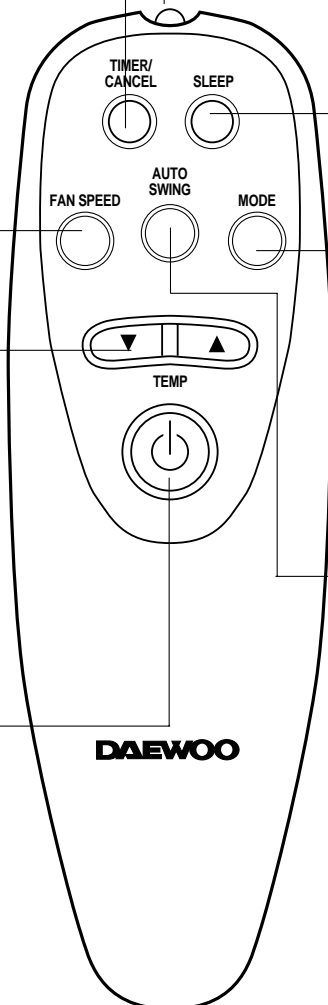
- Everytime you push this button, it is selected as follow.  
(High→Mid→Low→High)

#### TEMPERATURE

- It is the button to set the room in the desired room temp.  
The temp can be set within a range from 16°C (60°F) to 32°C (90°F) by 1°C (1°F)

#### POWER ON/OFF

- To turn the unit ON, push this button. To turn the unit OFF, push this button, again.



#### SLEEP

- SLEEP mode is selected as follow. (L1→L2→Cancel)

#### MODE

- Everytime you push this button, it is selected as follow.  
(COOLING→TURBO→FAN→COOLING)

#### AUTO SWING

- Everytime you push this button, the auto swing mode is toggled.

# 3 REMOTE CONTROLLER DISPLAY

## ● SELECT ONE ALTERNATIVE PAGE 6 or PAGE 7

### MODE DISPLAY

- It displays the operating mode.

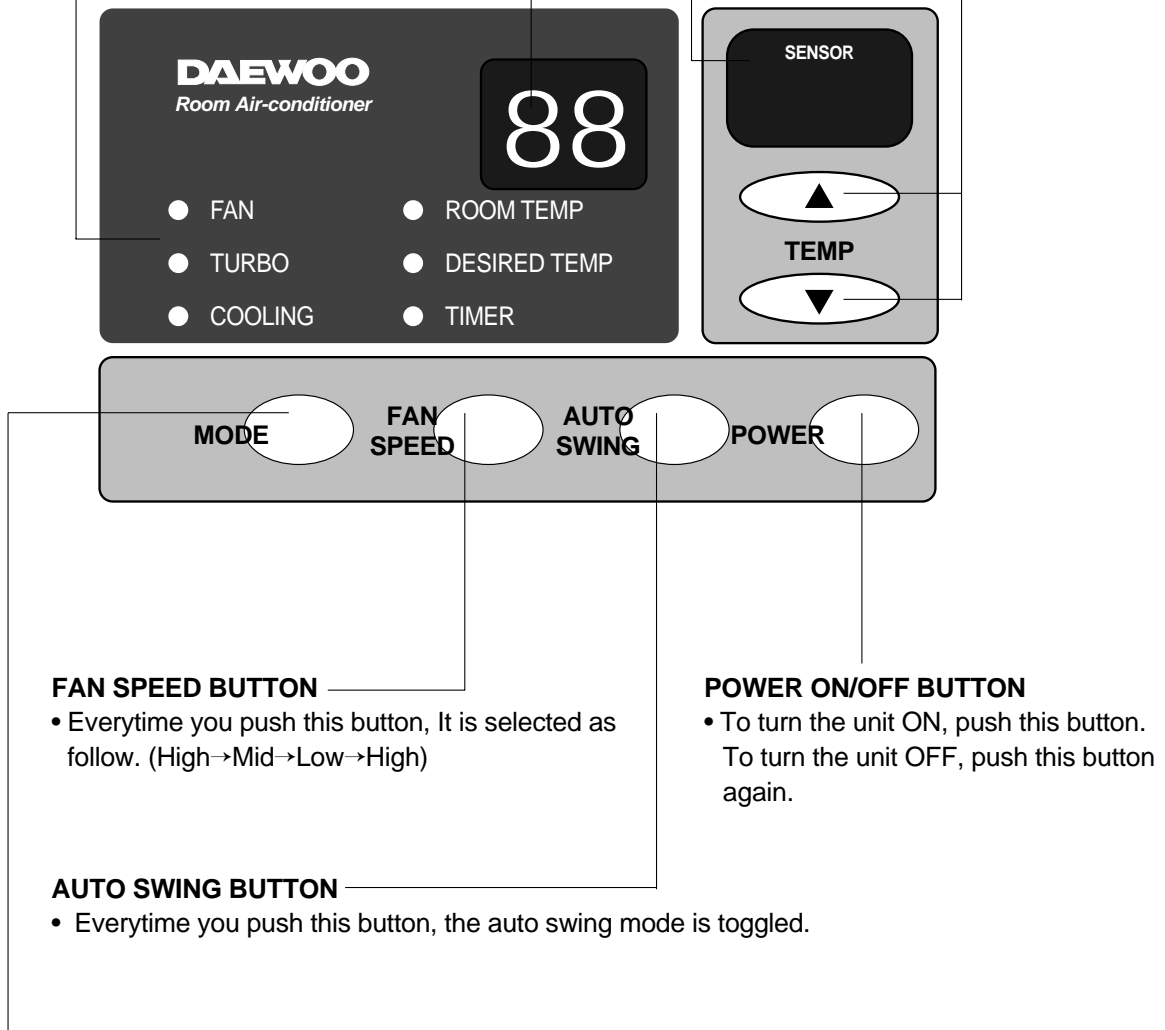
### TEMP./TIMER DISPLAY

- It displays the temperature and the timer.

### REMOCON SIGNAL RECEIVER

### TEMPERATURE SET BUTTON

- It is the button to set the desired room temperature.  
The temperature can be set within a range from 16°C (60°F) to 32°C (90°F) by 1°C (1°F)



### FAN SPEED BUTTON

- Everytime you push this button, It is selected as follow. (High→Mid→Low→High)

### AUTO SWING BUTTON

- Everytime you push this button, the auto swing mode is toggled.

### MODE SELECT BUTTON

- Everytime you push this button, It is selected as follow. (COOLING→TURBO→FAN→COOLING)

### POWER ON/OFF BUTTON

- To turn the unit ON, push this button.  
To turn the unit OFF, push this button again.

**MODE DISPLAY**

- It displays the operating mode.

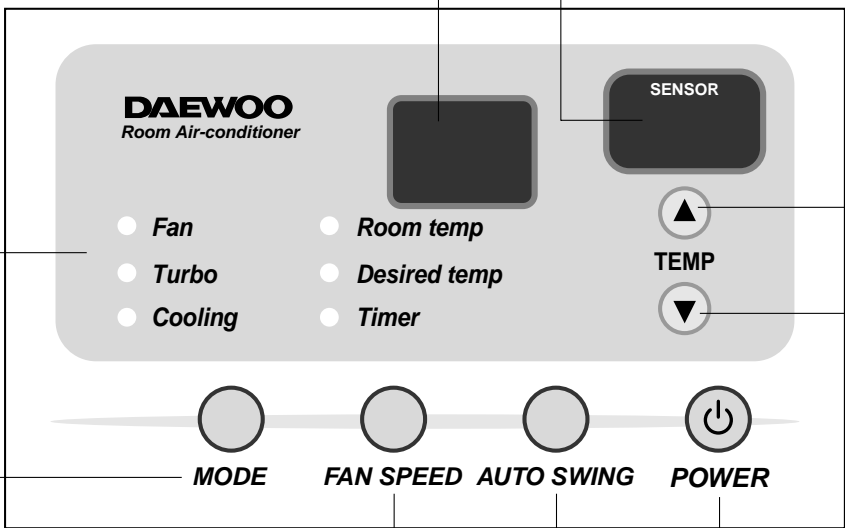
**TEMP./TIMER DISPLAY**

- It displays the temperature and the timer.

**REMOTE SIGNAL RECEIVER**

**TEMPERATURE SET**

- It is the button to set the desired room temperature.  
The temperature can be set within a range from 16°C (60°F) to 32°C (90°F) by 1°C (1°F)



**FAN SPEED**

- Everytime you push this button, It is selected as follow. (High→Mid→Low→High)

**AUTO SWING**

- Everytime you push this button, the auto swing mode is toggled.

**POWER ON/OFF SWITCH**

- To turn the unit ON, push this button.  
To turn the unit OFF, push this button again.

**MODE SELECT**

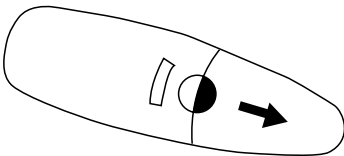
- Everytime you push this button, It is selected as follow. (Cooling→Turbo→Fan→Cooling)



## Replacing Batteries

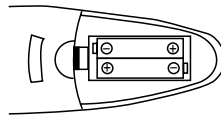
**1** Remove the COVER from the back of the remote controller.

- Slide the cover according to the arrow direction



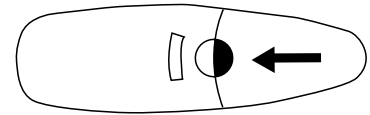
**2** Insert two batteries.

- Be sure that the (+) and (-) directions are correct
- Be sure that both batteries are new



**3** Re-attach the cover.

- Slide it back into position

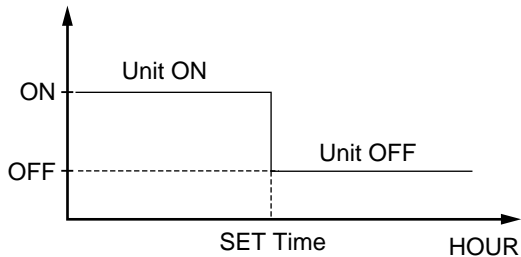


- Do not use rechargeable batteries such batteries differ from standard dry cells in shape, dimensions and performance.
- Remove the batteries from the remote controller if the air conditioner is not going to be used for an extended length of time.

## 4 DESCRIPTION OF FUNCTIONS

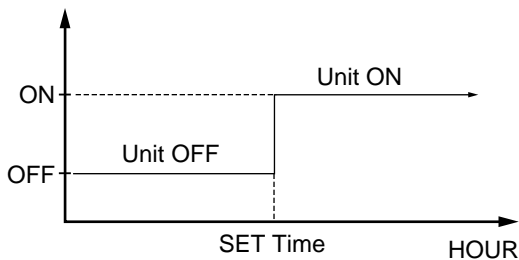
### OFF-Timer

If you set time in OFF-Timer Mode, the unit will stop at the set time.



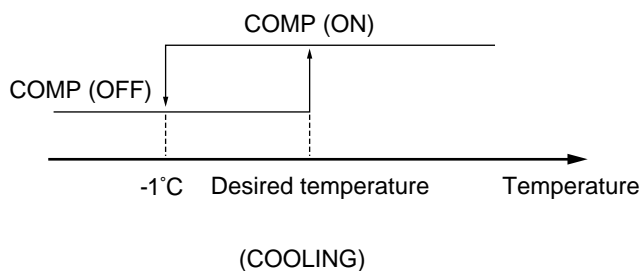
### ON-Timer

If you set time in ON-Timer Mode, the unit will run at the set time.



### Control of Room Temperature

- (1) Range of setting temperature: 16~32°C
- (2) Setting temperature: Operating temperature of compressor



- \* ( Room temperature < setting temperature  
Compressor OFF
- ( Room temperature > setting temperature  
Compressor ON

### Buzzer

If the Unit Display receive the signal of Remote Controller, you can hear the signal "beep -" or "beep, beep".

## Fan Speed

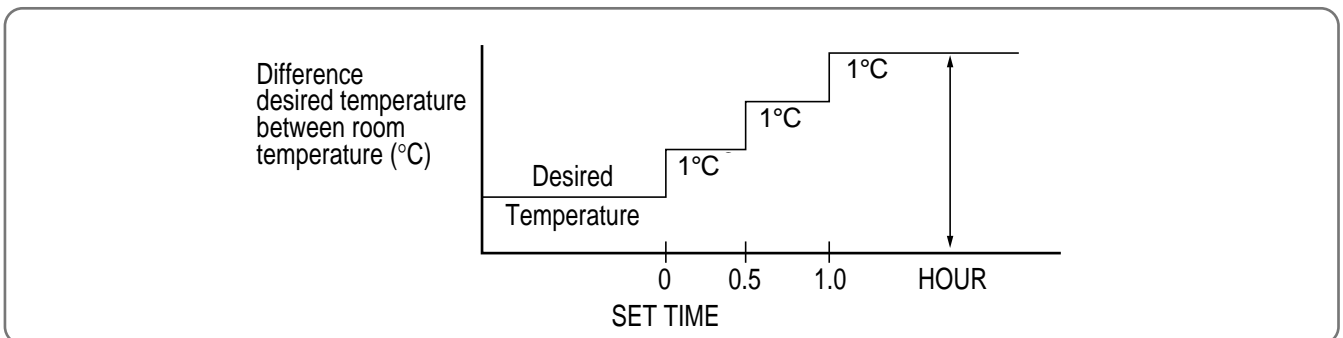
- (1) Motor speed (high speed, normal speed, low speed).
- (2) Remote controller setting fan speed. (H, M, L)
- (3) Relation of operating mode between fan speed.

	FAN ONLY	COOL	TURBO
H	H	H	H
M	M	M	-
L	L	L	-

## Sleep Mode

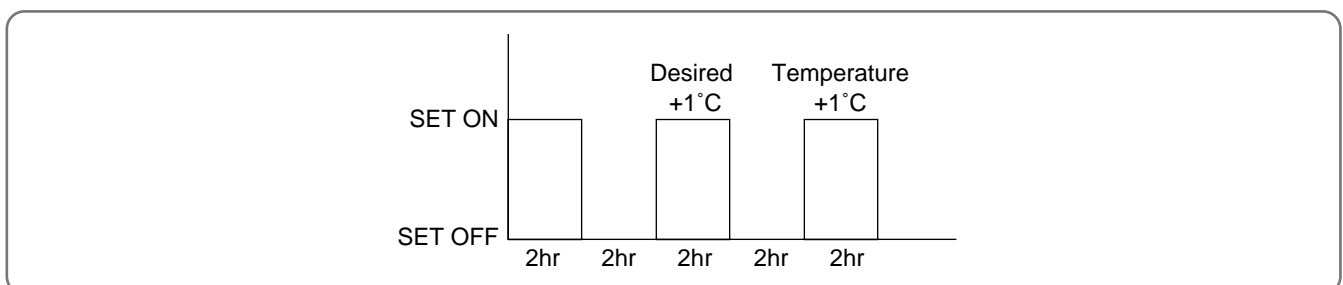
- (1) When you are going to sleep, select sleep button in remote and the unit controls the room to the desired temperature. (The unit will not operate after 4 hour)
- (2) For changing the temperature.

### • Mode I (L1)



- The unit will not operate after 4 hour.

### • Mode II (L2)



- The unit will not operate perfectly after 10 hour.

- (3) To cancel sleep mode, press the SLEEP button again or press the MODE button once. : the SLEEP indicator will disappear in the display.

## 3min. Time Delay of Compressor

In normal operation, there is a time delay of three minutes between turn off and turning back on including initial power up.

## Auto Swing

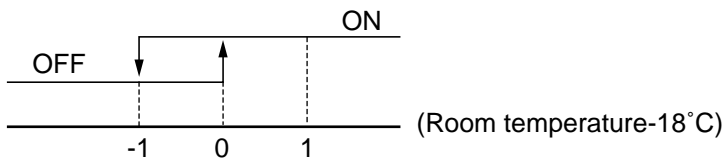
- (1) When you push this button, in remote the left/right flap move to the position of keeping the room temperature comfortable.
- (2) The air discharge direction procedure is below.

Auto swing ←————→ Fixed

## Turbo Mode(Powerful Cooling)

### (1) Cooling Condition


- ① Fan Speed: High speed
- ② Set temperature: 16°C(Fixed)
- ③ Compressor and Fan



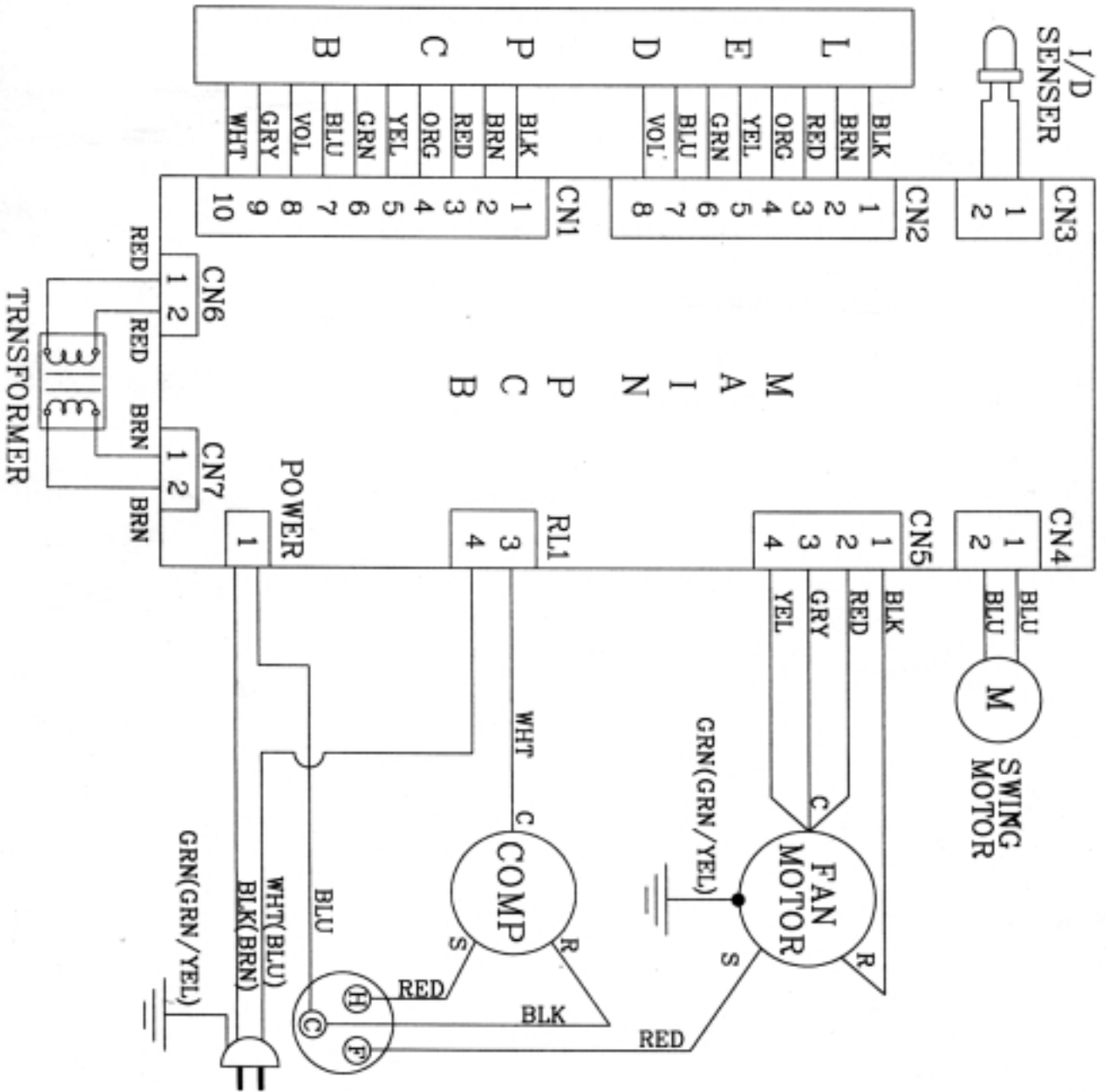
## Self-Diagnostic Function

The control will contain diagnostic test to verify the integrity of the system.

### (1) Error Code Display

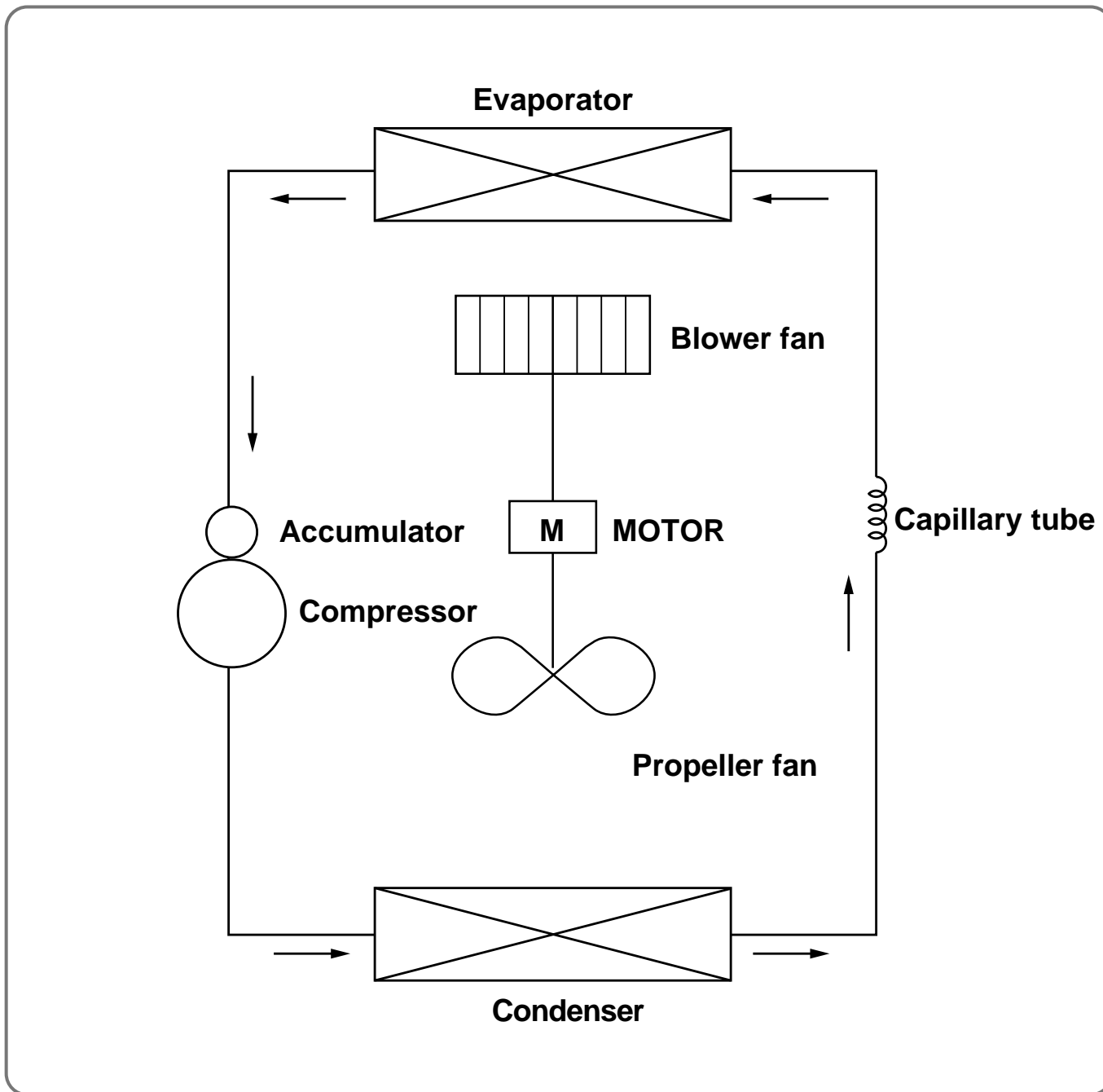
ERROR CODE	88 LED DISPLAY	ERROR CONTENTS
1		Room air thermistor short or open.

# 3. WIRING DIAGRAM



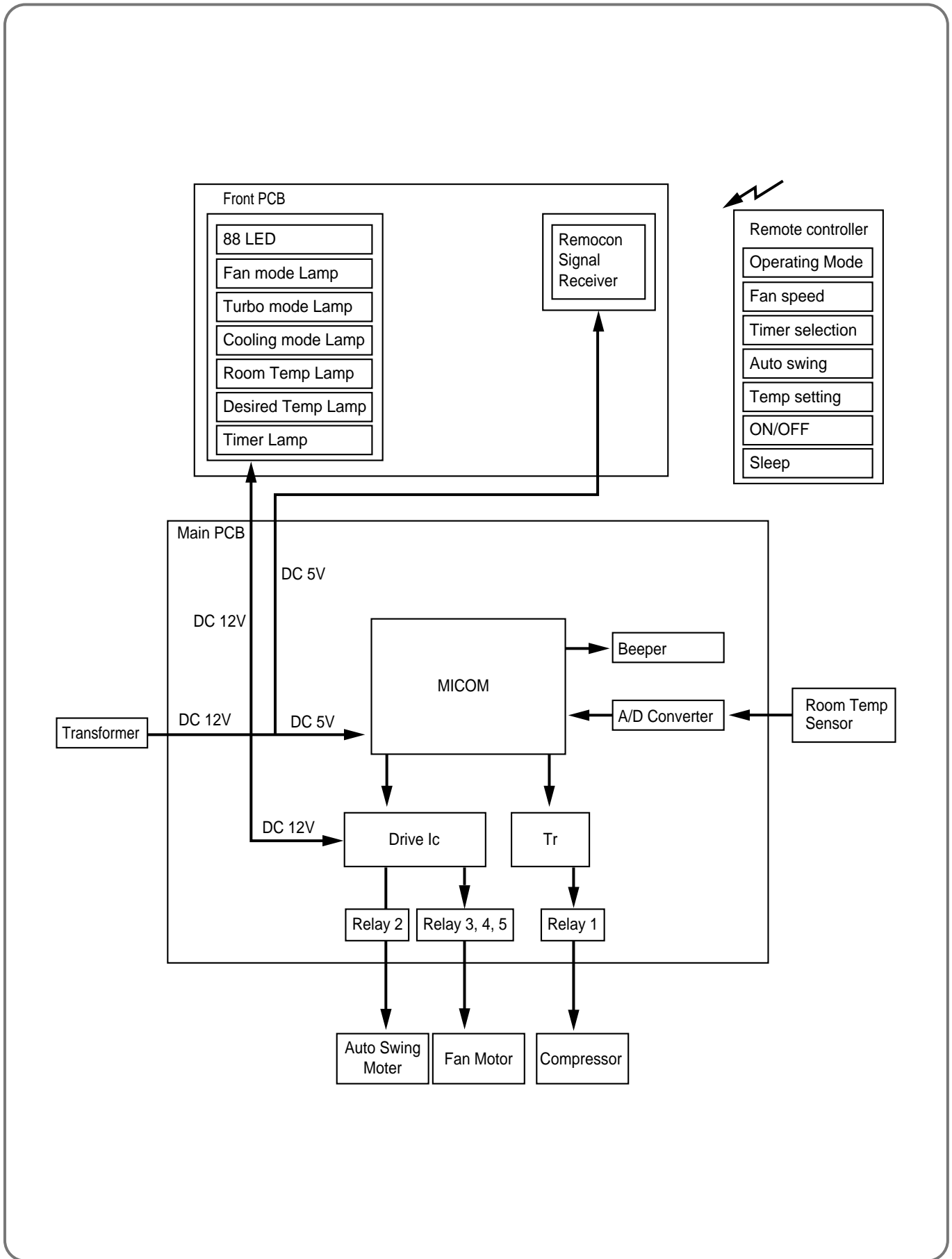
(3103529000)

# 4. REFRIGERANT CYCLE

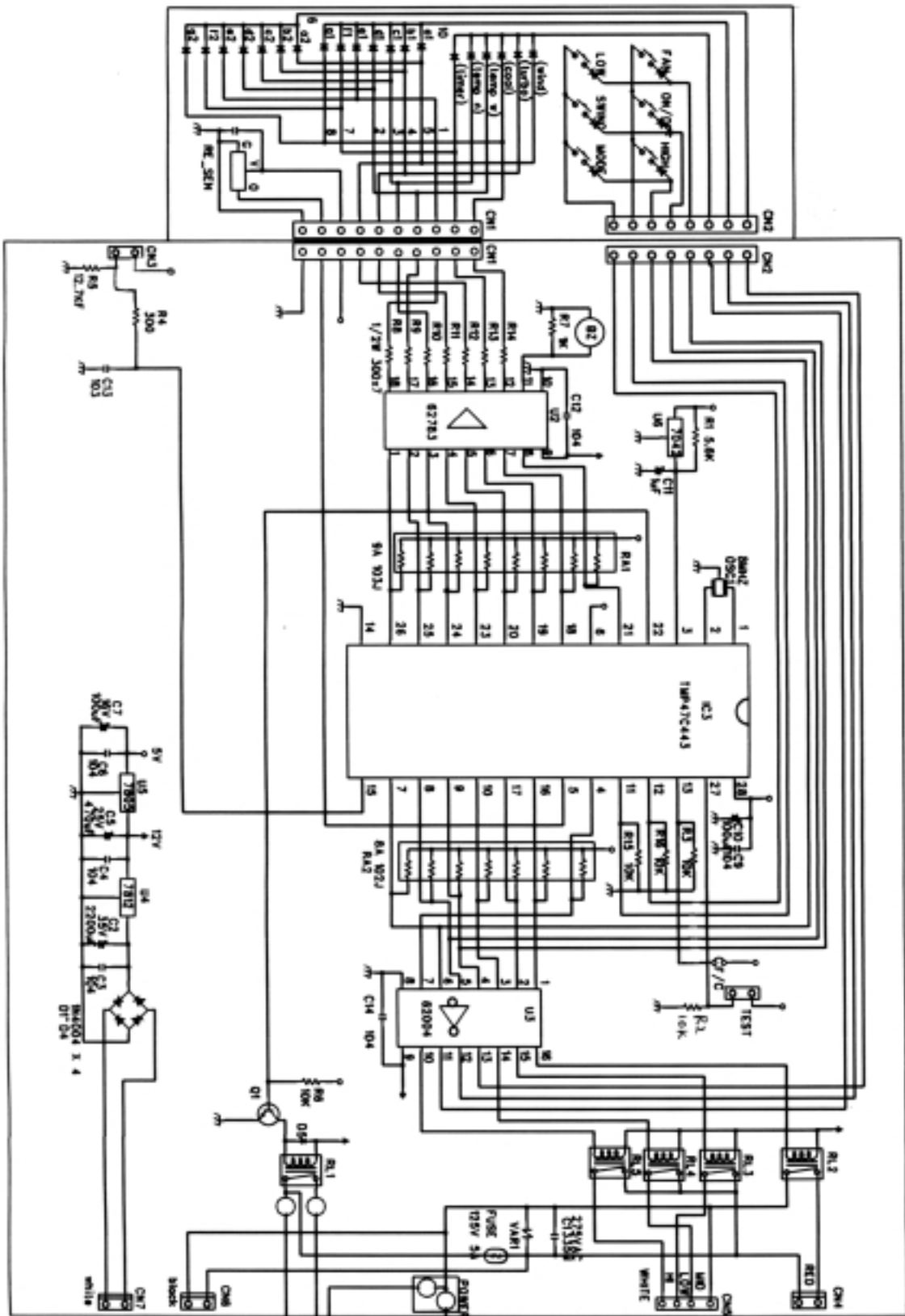


Model Name	DWA-121R	DWA-122R (DWA-124R)	DWB-121R	DWB-122R (DWB-124R)	DWC-121R (DWC-124R)	DWB-123R	DWA-150R	DWA-151R (DWA-152R)
Contents								
Capillary tube	ID1.6Ø x L800	ID1.6Ø x L900			ID1.6Ø x L800		ID1.6Ø x L600	
Charge Quantity	740g	790g	730g	690g	680g	760g	790g	780g

# 5. CONTROL BLOCK DIAGRAM



# 6. CIRCUIT DIAGRAM





## Part List

### ● MAIN PCB ASS'Y(3104302300)

NO	PART NAME	SPEC	PART CODE	Q'TY	REMARK
1	IC MICOM	TMP47P443N	13GSHK64--	1	U1
2	IC DRIVE	TD62004AP	13GT62004A	1	U3
3	IC DRIVE	TD62783AP	13GT62783A	1	U2
4	IC REGULATOR	KIA7812P	1KA7812AP-	1	U4
5	IC REGULATOR	KIA7805P	1KA7805AP-	1	U5
6	IC RESET	KIA7042P	1KA7042P--	1	U6
7	FUSE CLIP	AFC-520	3107000600	2	FUSE
8	FUSE	250V, 3.15A	5FULB3152L	1	
9	RELAY	CS11-12SH	5SC0101128	4	RL2
10	RELAY POWER	G4A-1A	5SC010141A	1	RL1
11	RESONATOR	CST8.00MTW	4850L03610	1	OSC1
12	VARISTOR	15G561K	D15G561K--	1	VAR1
13	DIODE	1N4004	DZN4004A--	4	D1-4
14	DIODE	1N4148	DZN4148A--	1	D5
15	HEAT SINK	22(H)X23X17	3105797200	1	
16	PCB	FR-1	3104302100	1	
17	BUZZER	BM-20K	3105698100	1	BZ
18	TR	KRC3198Y	TZTC3198Y-	1	Q1
19	WAFER	YW396-03AV	3108802500	1	CN4
20	WAFER	YPW500-04	3108805500	1	CN5
21	WAFER	YW396-03AV(BK)	3108802700	1	CN6
22	WAFER	YW500-02V	3108803000	1	CN7
23	WAFER	SMW250-02	3108804200	1	CN3
24	WAFER	SMW250-08	3108804000	1	CN2
25	WAFER	SMW250-10	3108802100	1	CN1
26	WAFER	YF254S-02	3108804300	1	TEST
27	PIN	GP881206-2	3108803500	1	POWER
28	RESISTOR	300, 1/4W, 5%	RD-4K301J-	1	R4
29	RESISTOR	1K, 1/4W, 5%	RD-4K102J-	1	R7
30	RESISTOR	5.6K, 1/4W, 5%	RD-4K562J-	1	R1
31	RESISTOR	10K, 1/4W, 5%	RD-4K103J-	5	R2,3,6,15,16
32	RESISTOR	12.7K, 1/4W, 5%	RD-4K1272F	1	R5
33	RESISTOR	300, 1/2W, 5%	RD-2K301J-	7	R8-14
34	RESISTOR ARRY	9A 103J	RA8K8103J-	1	RA1
35	RESISTOR ARRY	8A 102J	RA8K7102J-	1	RA2
36	C-ELEC	1000μF 35V SD	CEXE1V108C	1	C2
37	C-ELEC	470μF 25V SD	CEXE1E477C	1	C5
38	C-ELEC	100μF 16V SD	CEXE1C107C	1	C7
39	C-ELEC	10μF 50V SD	CEXE1C106C	1	C10
40	C-ELEC	4.7μF 50V SD	CEXE1H475C	1	C11
41	C-CERA	103Z 50VDC	CCXE1H103M	1	C13
42	C-CERA	104Z 25VDC	CCXE1EH104M	7	C2-4,6, 9,12,13
43	JUMPER	10MM	3109400100	14	J1-6,9,12 J14-16,18
44	JUMPER	6MM	3109400200	4	J7-8,13,17

●Front PCB ASS'Y(3104302400)

NO	PART NAME	SPEC	PART CODE	Q'TY	REMARK
1	LED DISPLAY	88	3103003700	1	DISP
2	C-CERA	103Z 50VDC	CXCH1H103M	1	C1
3	RECEIVE MODULE	PIC-26043TH2	1PC26043TH	1	REMO
4	LED	DLSO-5031D	DDL505031D	3	
5	LED	DLG-5031D	DDL505031D-	3	
6	SWITCH TACT	JTP1212	3109300900	6	
7	DIODE	1N4148	DZN4148A--	6	D1-6
8	WAFER	SMAW250-08	3108804800	1	CN1
9	WAFER	SMAW250-10	3108802400	1	CN2
10	PCB	FR-1	3104302200	1	
11	JUMPER	10mm	3109400100	7	J1-7

●Remocon ASS'Y(3108402900)

NO	PART NAME	SPEC	PART CODE	Q'TY	REMARK
1	CASE-A	ABS380	3101100510	1	
2	CASE-B	BAS380	3101100600	1	
3	CUSHION KEY	SILICON 6U	3101405900	1	
4	SPRING A	SUS304	3105100600	1	
5	SPRING B	SUS304	3105100700	1	
6	COMMON SPRING	SUS304	3105100800	1	
7	SCREW A	M1.9*6.5	3108495110	3	
8	RESONATOR	RJ-455BL	5ZAR455---	1	X1
9	ELEC CONDENSOR	10VB 47M	CEAF10475M	1	C1
10	CHIP CONDENSOR	CETMK212F221Z-T	HCQD220MQ	2	C2,3
11	CHIP RESISTOR	1/10W 1.5 OHM	HRFT159JCP	1	R1
12	CHIP RESISTOR	1/10W100K OHM	HRFT104JCP	3	R2,3,4
13	TRANSISTOR	STN2222	TSTN2222-	1	Q1
14	LED IR	SI5312-H	DS5312-H--	1	IR1
15	IC REMOCON	PT2221	14EZPT2221	1	U1
16	COVER BTRY	ABS	3101405900	1	
17	PCB REMOCON	FR-1	3104302000	1	
18	HOLDER REMOCON	ABS	3103003400	1	

# 7. TROUBLE SHOOTING

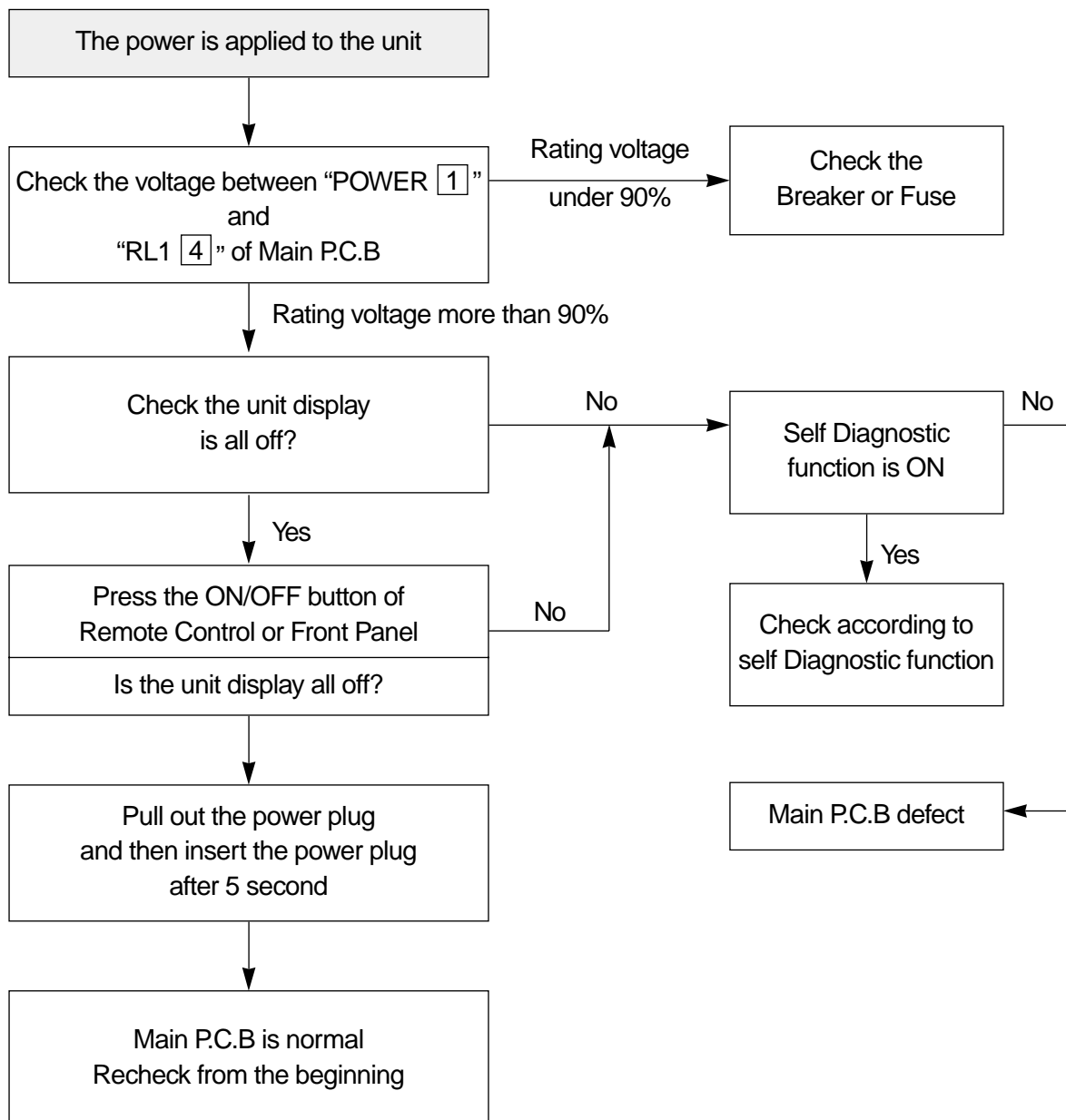
## Self-Diagnostic Function

### 1) Error Code 1(Er)

- ① Check the connector of room air thermistor. (or connecting wire)
- ② Check soldering of connecting on control P.C.B. (Error of soldering or short)
- ③ Check the resistance of room air thermistor.

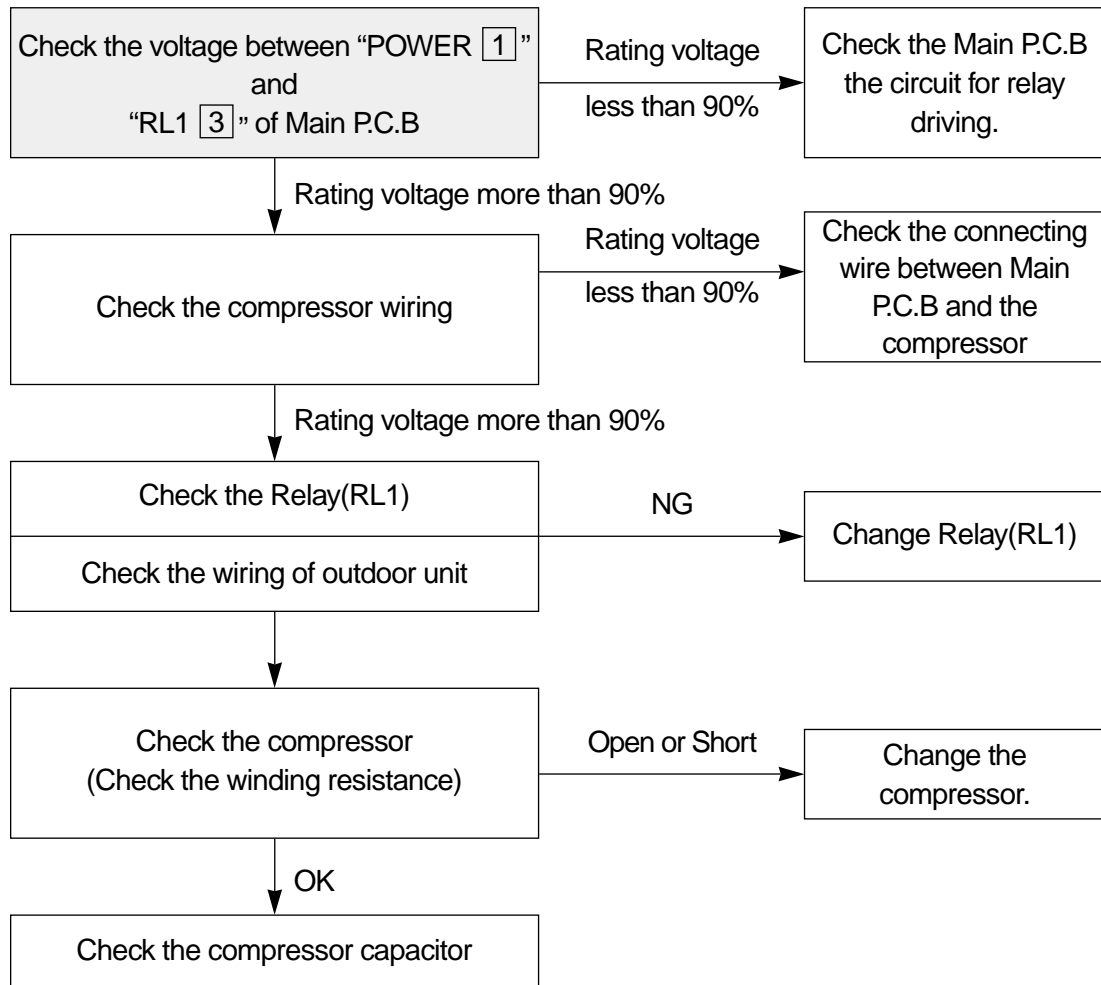
“Press the temperature Keys (Up & Down), Error code is displayed.”

## Unit Not Run



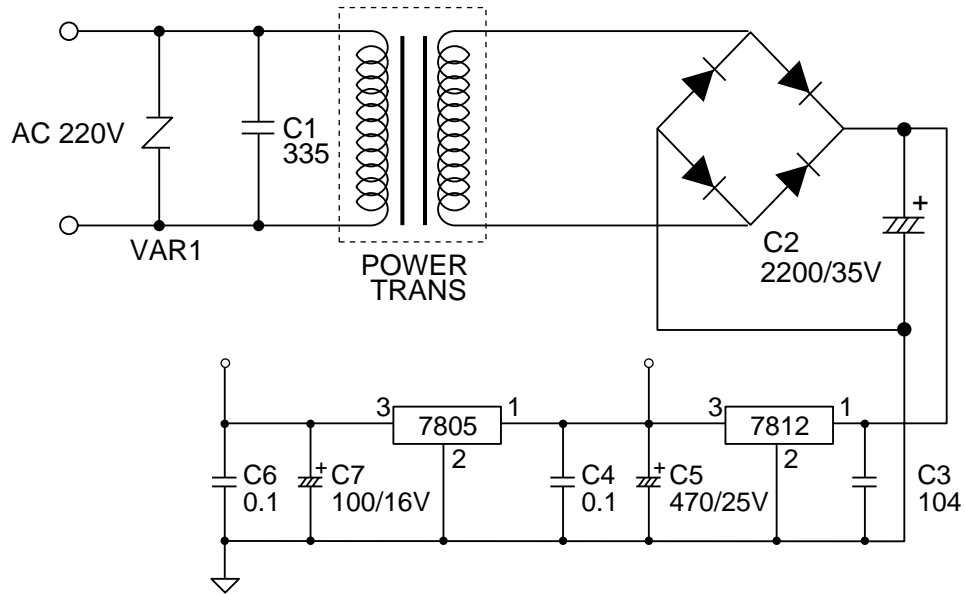
## Only Compressor Do not Run

- Check the following at cooling mode



# PCB DRIVING DESCRIPTION

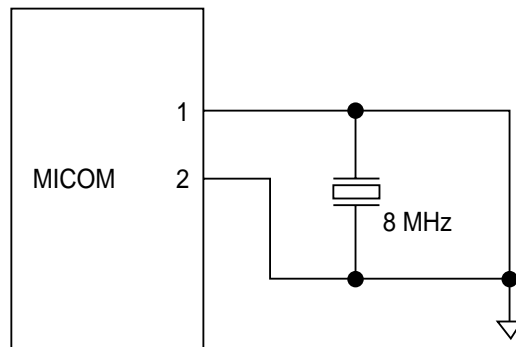
## Power Supply(1)



### DESCRIPTION

DC Power Supply in circuit needs +12V and +5V. +12V is used for Compressor Driving Relay, Fan Motor Driving Relay, Buzzer Driving, Swing Motor Driving Relay and LED Display. AC voltage of secondary Power Transformer is rectified by 4 Diode, and it is filtering by Main Condenser C2. Filtered DC voltage is about +17V is regulated +12V DC by Regulator IC7812. And it is regulated +5V DC by Regulator IC7805. VAR1 is surge filter and C4, C6 is Noise filter.

## Oscillation(2)



### DESCRIPTION

Oscillatory Frequency drive Micom, it is made up 8MHz resonator oscillatory Frequency. Oscillatory wave is as following Fig 2-1.

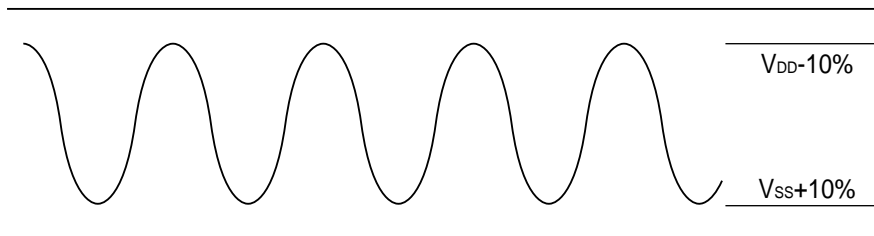
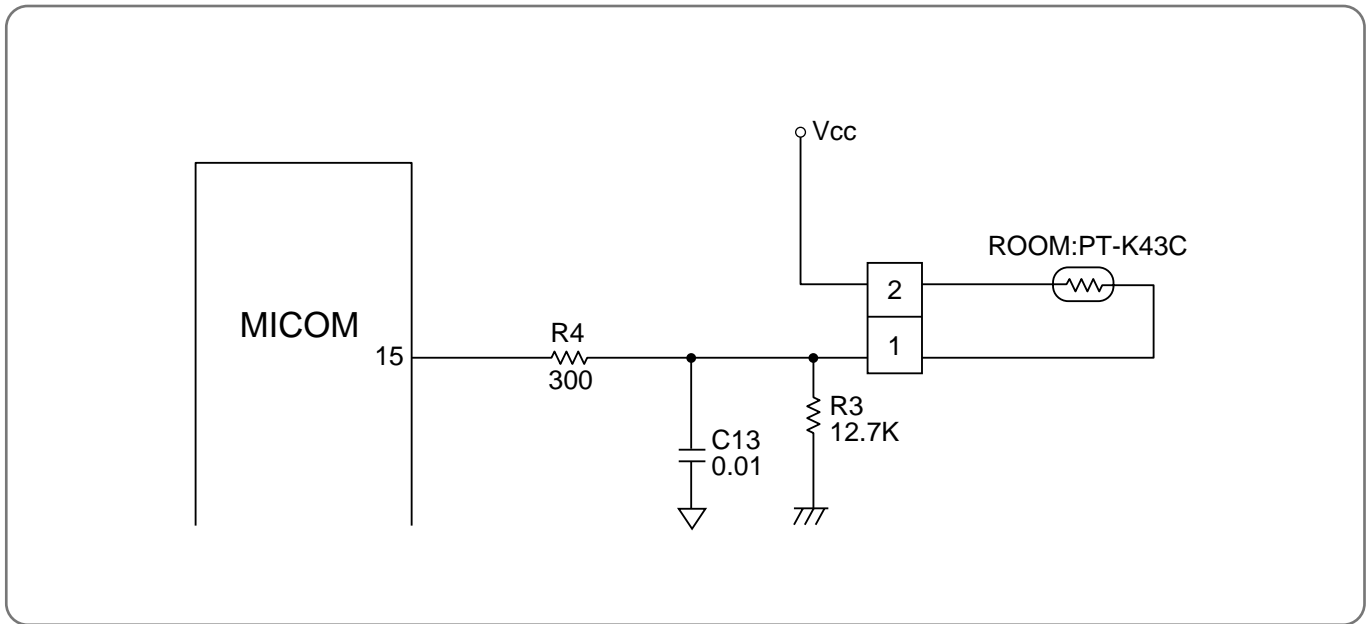


Fig 2-1

## Sensor(3)

### Room temperature Sensor Input



### DESCRIPTION

Number 15 of Micom is Terminal of A/D convertor Input.

Room temperature is sensing by change of Thermister Resistance, Micom is put in 5V by ratio between R3 (12.7K $\Omega$ ) and Room sensor.

Relation between temperature and voltage is following Table 3-1.

C13 is Noise filter.

Temperature (°C)	Voltage (V)
	No. 15
-10	4.06
0	3.60
15	2.76
25	2.20
40	1.48

Table 3-1



# Remote Controller(4)

## DESCRIPTION

Signal from Remote Controller put in only Control Data Signal at Micom Terminal of Number 5, which is gotten field of Carrier (38KHz) from Receive Module. Signal Wave repeat third as following Fig 5-1. But in Secondary Wave Custom Code is Reversed Face.

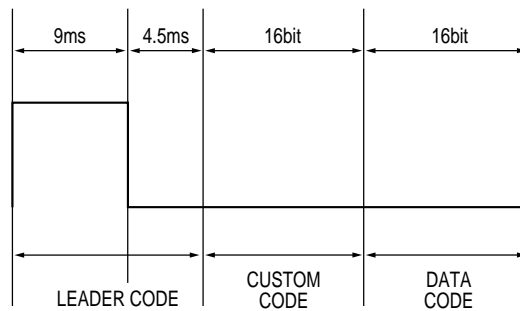


Fig 5-1

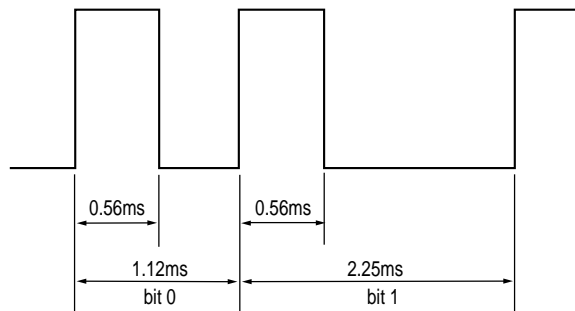
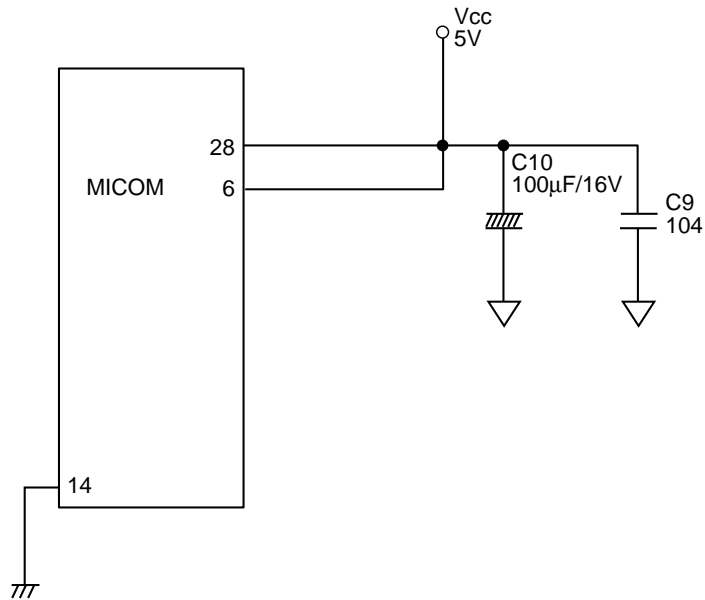


Fig 5-2  
BIT STRUCTURE

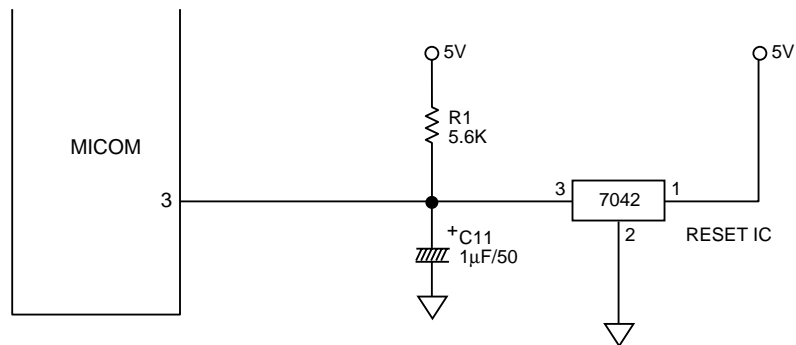
## Micom Power Supply(5)



### DESCRIPTION

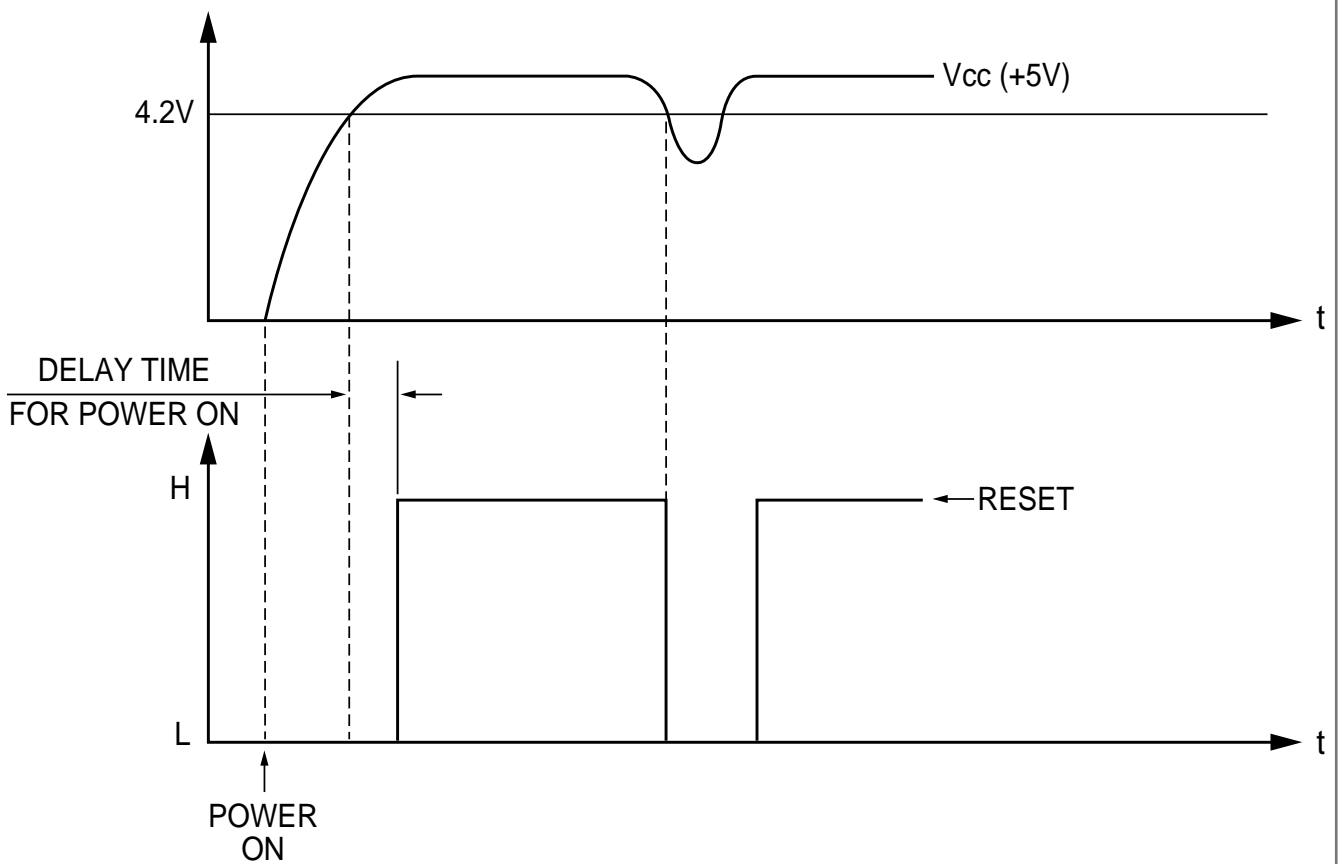
MICOM Power is supplied 5V at Number 28 using VDD, Number 6 using Analog Reference of A/D Converter. C9, C10 is Ripple filter.

## Reset(6)

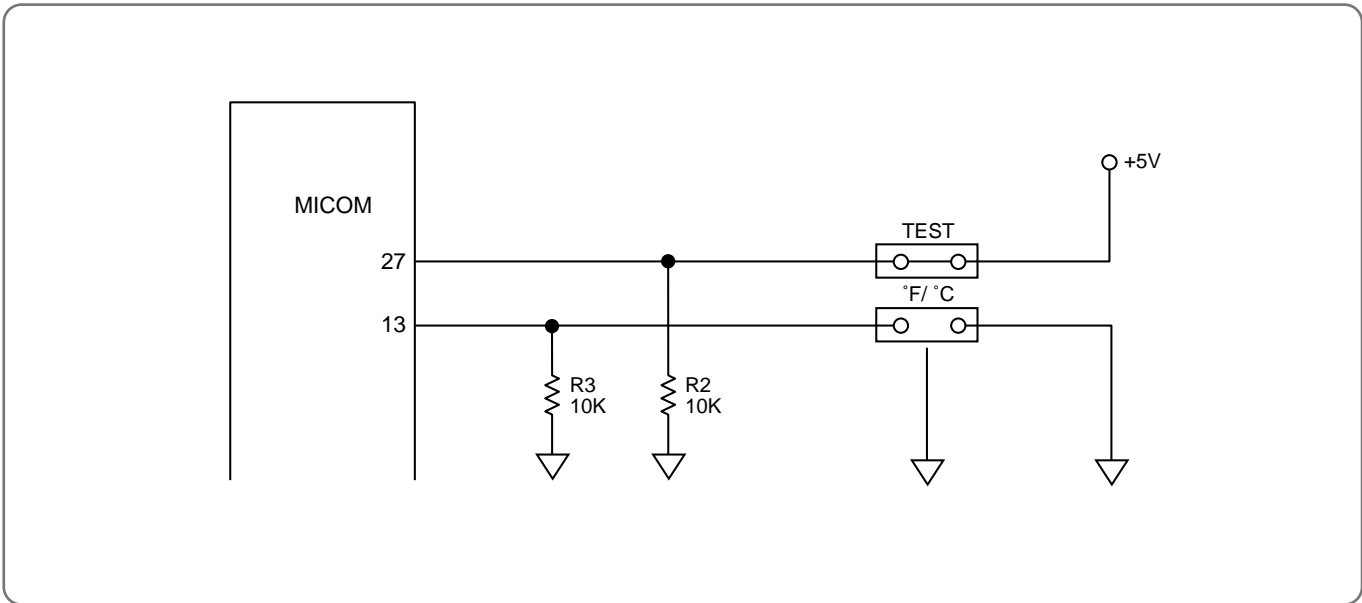


### DESCRIPTION

Voltage less than about 4.2V put in Micom Terminal of Number 6 and then Micom reset. Reset IC detect Power ON and Voltage greater than 4.2V, and then send Reset Signal.



# Function Selecting(7)



## DESCRIPTION

Selecting Function is as following table 9-1.

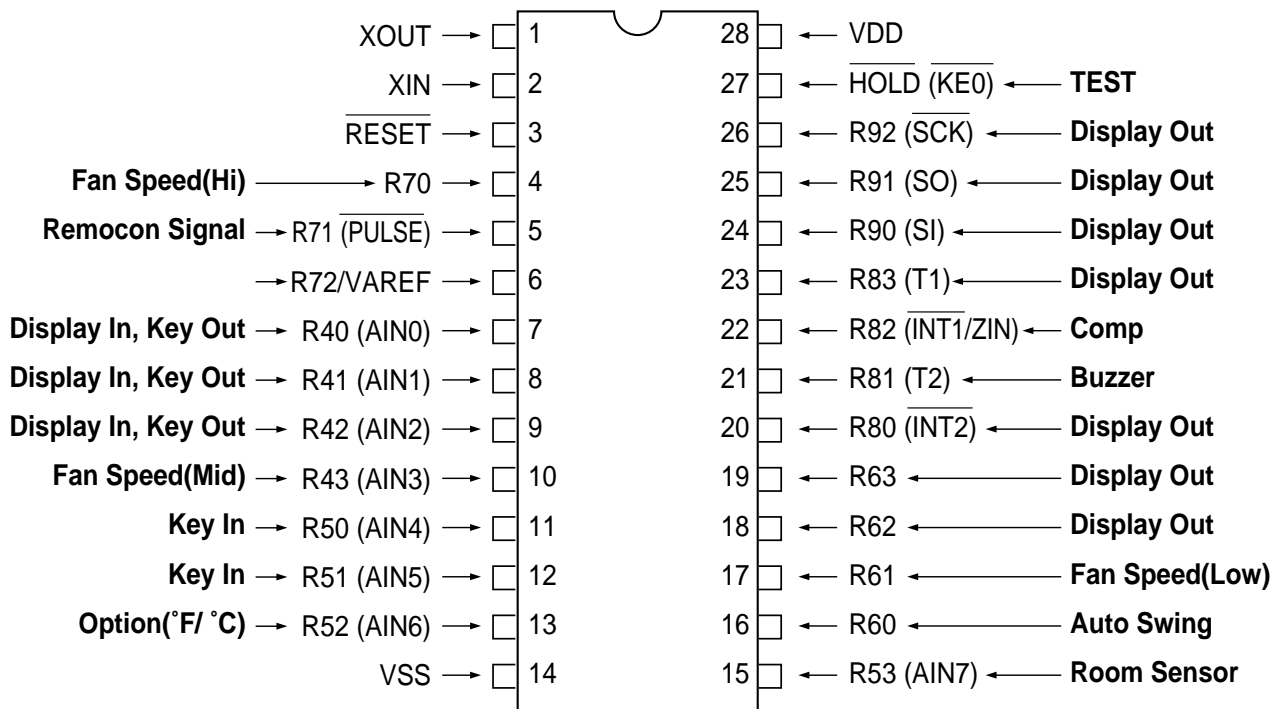
Selection S/W \ Function	SHORT	OPEN
°F / °C	°F	°C
TEST	OK	NO

**Table 9-1**

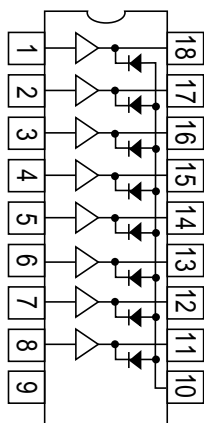
# 8. KEY COMPONENTS OF ELECTRONIC CIRCUIT

## (1) IC3 (MICOM)

TMP47C443N

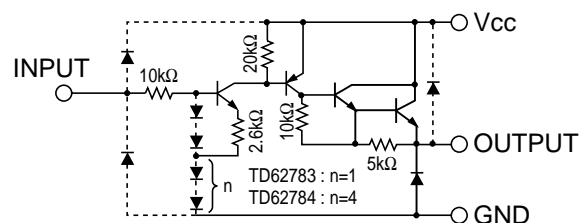


## (2) U2 (TD62783AP)

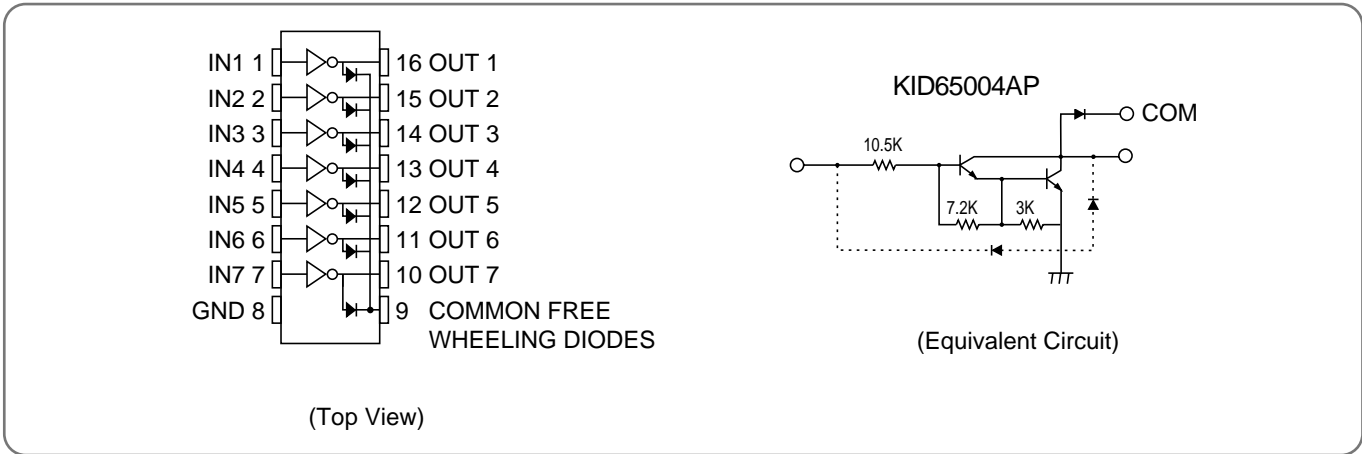


(Top View)

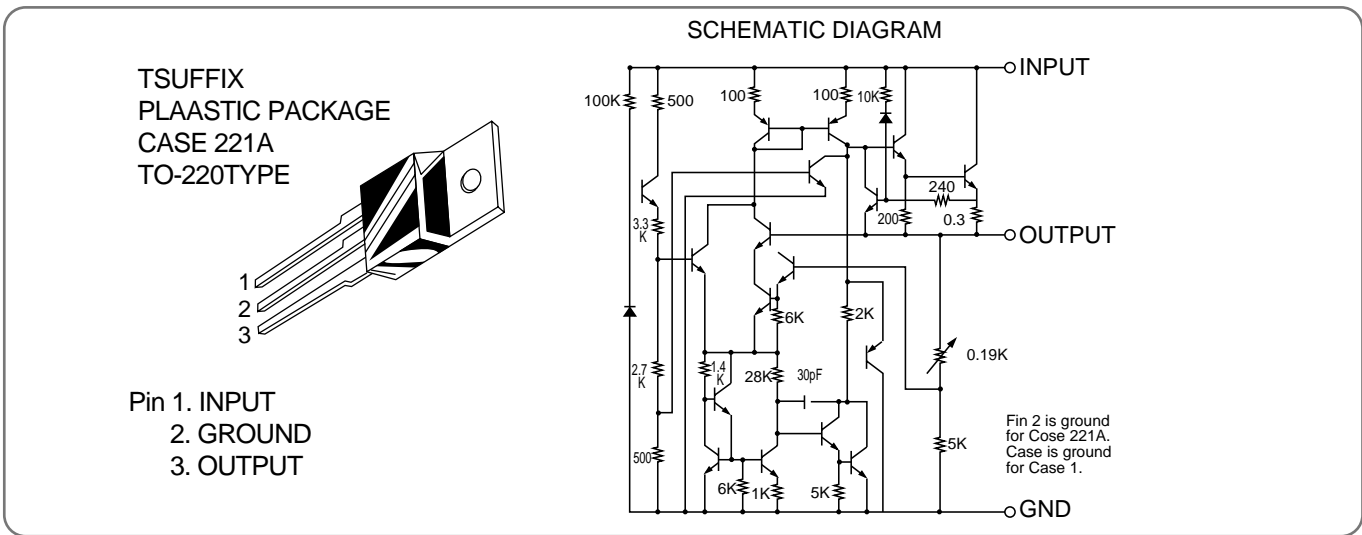
### SCHEMATIC DIAGRAM



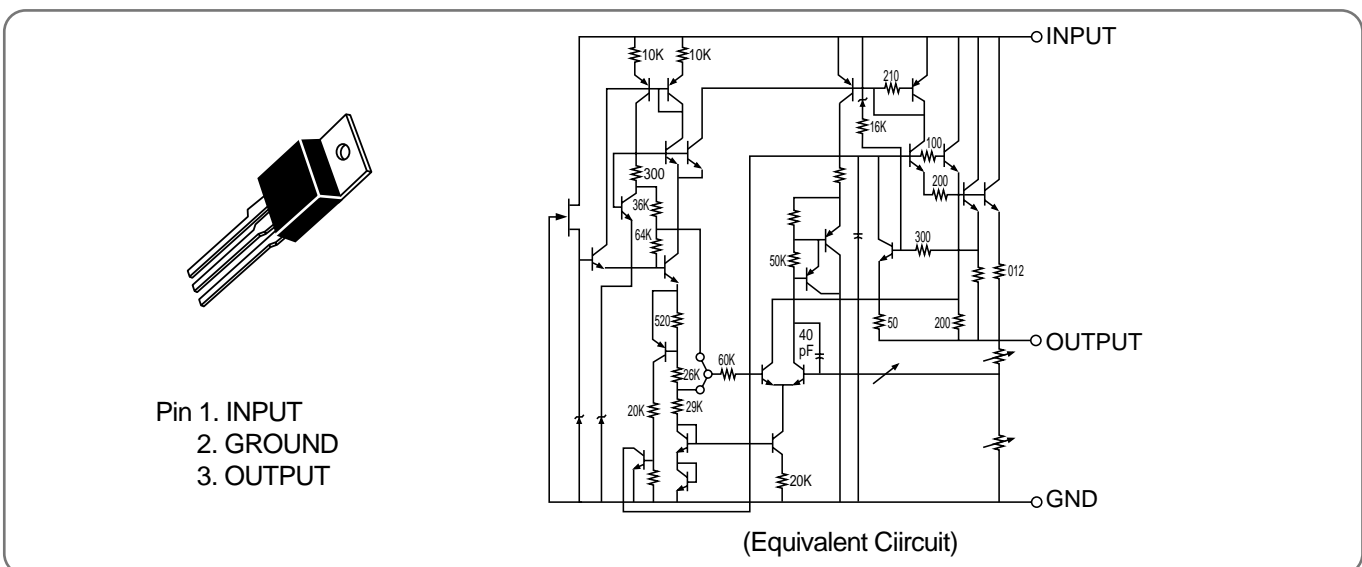
### (3) U2(TD62004AP) DARLINGTON ARRAYS



### (4) U7 (7805CT): VOLTAGE REGULATOR (5VDC)



### (5) U6 (7812ACT): VOLTAGE REGULATOR (12VDC)



# 9. DISASSEMBLY INSTRUCTIONS

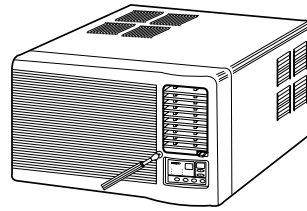
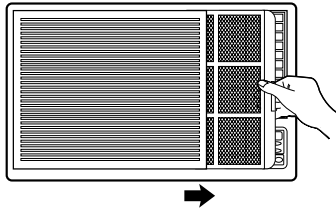
Please refer to the chapter 10 (Exploded diagram and parts list).

NOTE: \* → A or B or C

1	Before service of any part.	<ol style="list-style-type: none"> <li>1. Stop the unit, remove the power cord from the receptacles.</li> <li>2. Move the unit to the safe location for the suitable work.</li> </ol>
2	Ass'y Fan Motor - Fan Motor - Propeller Fan - Blower Fan	<ul style="list-style-type: none"> <li>• Only DW*-124R, DWA-152R               <ol style="list-style-type: none"> <li>1. Remove Front Grille                   <ul style="list-style-type: none"> <li>- Open the grille upward by pulling out the bottom of the grille, lift it.</li> <li>- Remove screw which fasten Frame Grille with driver.</li> <li>- Disassemble Frame Grille from chassis.</li> </ul> </li> </ol> </li> <li>• All models except DW*-124R, DWA-152R               <ol style="list-style-type: none"> <li>1. Remove Front Grille                   <ul style="list-style-type: none"> <li>- Remove Filter Pre.</li> <li>- Remove screw(2 point) in Front Grille with driver.</li> <li>- Disassemble Front Grille from chassis.</li> </ul> </li> <li>➔ 2. Remove the unit from Cabinet.                   <ul style="list-style-type: none"> <li>- Remove screws (2 point) from the unit's sides.</li> <li>- Pull the unit from cabinet</li> </ul> </li> <li>3. Remove Holder Scroll.</li> <li>4. Remove Scroll upper</li> <li>5. Remove Ass'y Control Box                   <ul style="list-style-type: none"> <li>- Remove screws (4 point).</li> <li>- Remove wires in the each components.</li> </ul> </li> <li>6. Remove wires in the Panel Housing.</li> <li>7. Remove screws (4 point) from Ass'y Fan Motor's sides.                   <ul style="list-style-type: none"> <li>- Ass'y Fan Motor is assembly of Fan Motor, Propeller and Blower Fan, Orifice and Panel Housing.</li> </ul> </li> <li>8. Lift the Ass'y Fan Motor from the unit.</li> <li>9. Remove Clip Fan (2 point) from the shaft of Fan Motor.</li> <li>10. Remove Propeller Fan from the shaft of Fan Motor.</li> <li>11. Remove Blower Fan from the shaft of Fan Motor.</li> <li>12. Remove Fan Motor from Panel Housing.                   <ul style="list-style-type: none"> <li>- Remove screws (4 point).</li> </ul> </li> </ol> </li> </ul>
3	Ass'y Control Box - Panel Control - Main Pcb - Front Pcb - Capacitor - Power Cord	<ol style="list-style-type: none"> <li>1. Same as the procedure 1 to 5 in the Item 2.</li> </ol>
4	O.L.P	<ol style="list-style-type: none"> <li>1. Same as the procedure 1 to 2 in the Item 2.</li> <li>2. Remove Terminal Cover from Compressor.           <ul style="list-style-type: none"> <li>- Remove hex-nut (1 point).</li> </ul> </li> </ol>

**• HOW TO REMOVE THE FRONT GRILLE FOR ALL MODELS EXCEPT DW\*-124R, DWA-152R**

1. Pull the Air-filter out of the Front Grille.
2. Loosen screw which fasten Front Grille with driver.

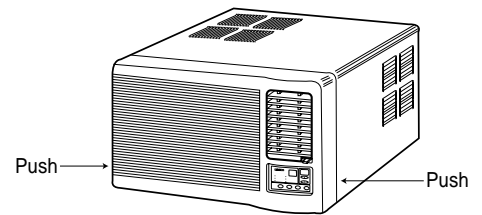


**3. Disassemble Front Grille from Chassis.**

– Front Grille and chassis are fixed with snap-fit.

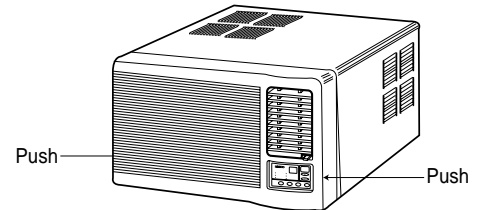
**1) Release right-lower snap-fit.**

– Push the right lower side of chassis to the left, with pushing left side of Front Grille to the right until the snap-fit is released.

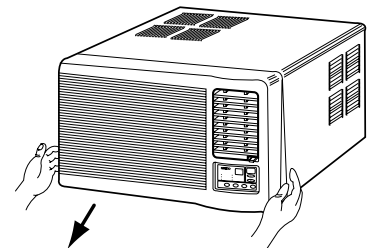


**2) Release left-lower snap-fit.**

– Push the left-lower side of chassis to the right, with pushing right side of Front Grille to the right until the snap-fit is released.

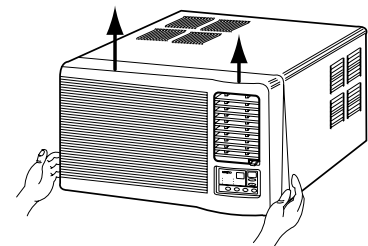


**3) Pull lower side of the Front Grille until it is separated from the chassis.**

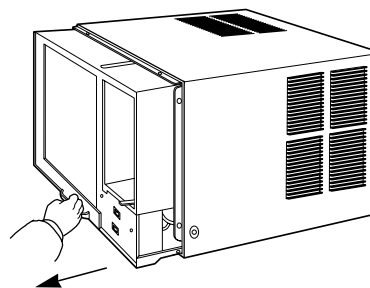
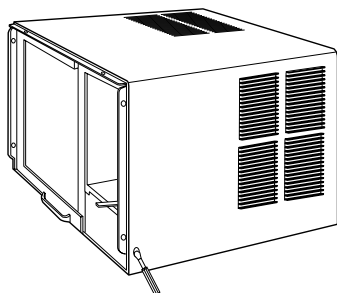


**4) Push base side of the Front Grille to upper side until it is separated from the chassis.**

**5) After front grille is removed, remove two screws located in both side of chassis.**



**6) Grip the handle of base pan and pull out the unit from chassis.**

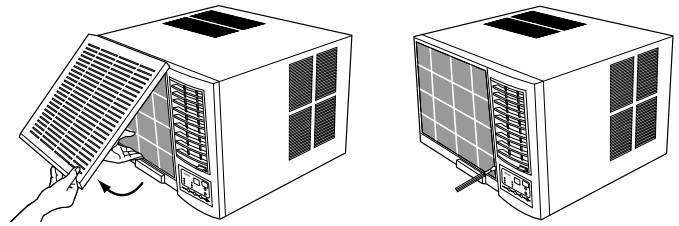




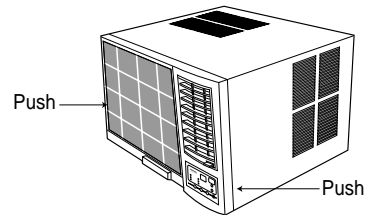
• **HOW TO REMOVE THE FRONT GRILLE FOR ONLY DW\*-124R, DWA-152R**

1. Open the grille upward by pulling out the bottom of the grille, lift it.
2. Remove screw which fasten Frame Grille with driver.
3. Disassemble Frame Grille from Chassis.

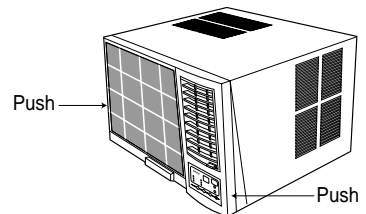
- Frame Grille and chassis are fixed with snap-fit.
- 1) Release right-lower snap-fit.
  - Push the right lower side of chassis to the left, with pushing left side of Frame Grille to the right until the snap-fit is released.



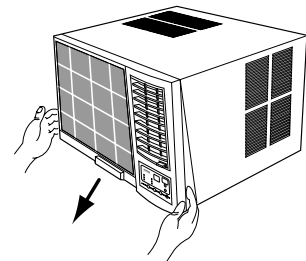
- 2) Release left-lower snap-fit.
  - Push the left-lower side of chassis to the right, with pushing right side of Frame Grille to the right until the snap-fit is released.



- 3) Pull lower side of the Frame Grille until it is separated from the chassis.

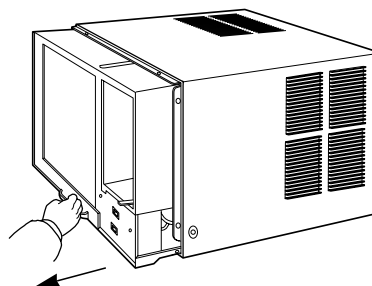
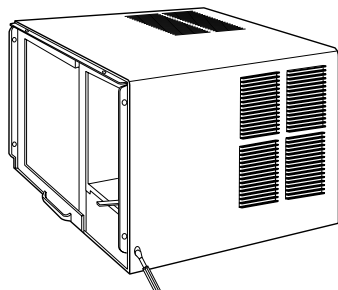
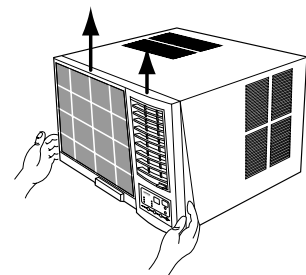


- 4) Push base side of the Frame Grille to upper side until it is separated from the chassis.



- 5) After frame grille is removed, remove two screws located in both side of chassis.

- 6) Grip the handle of base pan and pull out the unit from chassis.



※ **NOTICE:** Do not remove any Styrofoam because that is a part of the unit.

# 10. EXPLODED DIAGRAM AND PARTS LIST

## ■ DWA-121R,DWA-122R(124R),DWB-121R,DWB-122R(124R),DWB-123R, DWC-121R(124R),DWA-150R,DWA-151R(152R) PARTS LIST

✓ **Caution:** In this Service Manual, some parts can be changed for improving, their performance without notice in the parts list. So, if you need the latest parts information, please refer to PPL(Parts Price List) in Service information Center(<http://svc.dwe.co.kr>)

NO	CODE	COMPONENTS	Q'TY	SPECIFICATION	REMARK
1	3102402410	GRILLE FRONT	1	HIPS	ALL MODELS EXCEPT DW*-124R,DWA-152R
	3112200410	FRAME GRILLE	1	HIPS	DW*-124R,DWA-152R(ONLY)
1-1	3112401600	GRILLE	1	HIPS	DW*-124R,DWA-152R(ONLY)
2	3104202400	PANEL CONTROL	1	HIPS	
3	3101601300	DECORATE FRONT	1	PC FILM	ALTERNATIVE
	3111600900	DECORATE FRONT	1	PC FILM	
4	3101902100	FILTER PRE	1	HIPS	ALL MODELS EXCEPT DW*-124R,DWA-152R
	3111901400	FILTER PRE	1	HIPS	DW*-124R,DWA-152R(ONLY)
5	3106501800	BLADE VERTICAL	1	HIPS	
6	3106501700	BLADE HORIZONTAL	2	PP(H-540)	
7	3108503600	SEAL GRILLE	1	F-US	
8	3108100900	PAN BASE	1	SGCC T1.0	DW*-121R,122R,123R,124R(ONLY)
	3108100910	PAN BASE	1	SGCC T1.0	DWA-150R,151R,152R(ONLY)
9	3107400800	ASS'Y EVAPORATOR	1	2R2C, ø9.52	
10	3104421100	PIPE EVA IN	1	C1220T-O OD9.52	
11	3100063600	PIPE EVA OUT AS	1	C1220T-O OD9.52	
12	3104421700	PIPE EVA OUT 1	1	C1220T-O OD9.52	
13	3104423100	PIPE SUCTION	1	C1220T-O OD12.7	DW*-121R,124R(ONLY)
	3100023120	PIPE SUCTION	1	C1220T-O OD12.7	DWA,B-122R,123R,124R(ONLY)
	3104423110	PIPE SUCTION	1	C1220T-O OD12.7	DWA-150R,151R,152R(ONLY)
14	3100061600	PIPE CAPILLARY AS	1	C1220T-O ID1.6L800	DWA,C-121R,124R(ONLY)
	3100061620	PIPE CAPILLARY AS	1	C1220T-O ID1.6L600	DWA-150R,151R,152R(ONLY)
	3100061610	PIPE CAPILLARY AS	1	C1220T-O ID1.6L900	DWB-121R,DWA,B-122R,123R,124R(ONLY)
15	3100064700	COMP AS	1	LG-QK164CN12	DWC-121R,124R(ONLY)
	3100069400	COMP AS	1	LG-QK164KN12	DWA-121R(ONLY)
	3107103300	COMP AS	1	DW-RBA115A001	DWA-122R,124R(ONLY)
	3100069600	COMP AS	1	LG-QJ196KC23	DWA-150R(ONLY)
	3107103400	COMP AS	1	DW-RCA135A001	DWA-151R,152R(ONLY)
	3100071100	COMP AS	1	LG-QK196PN13A	DWB-121R(ONLY)
	3107103200	COMP AS	1	DW-RBB110A011	DWB-122R,124R(ONLY)
16	3107103210	COMP AS	1	DW-RBF110A011	DWB-123R(ONLY)
	3104425800	PIPE DISCHARGE	1	C1220T-O OD7.94	DW*-121R,DWC-124R(ONLY)

NOTE: \* → A or B or C

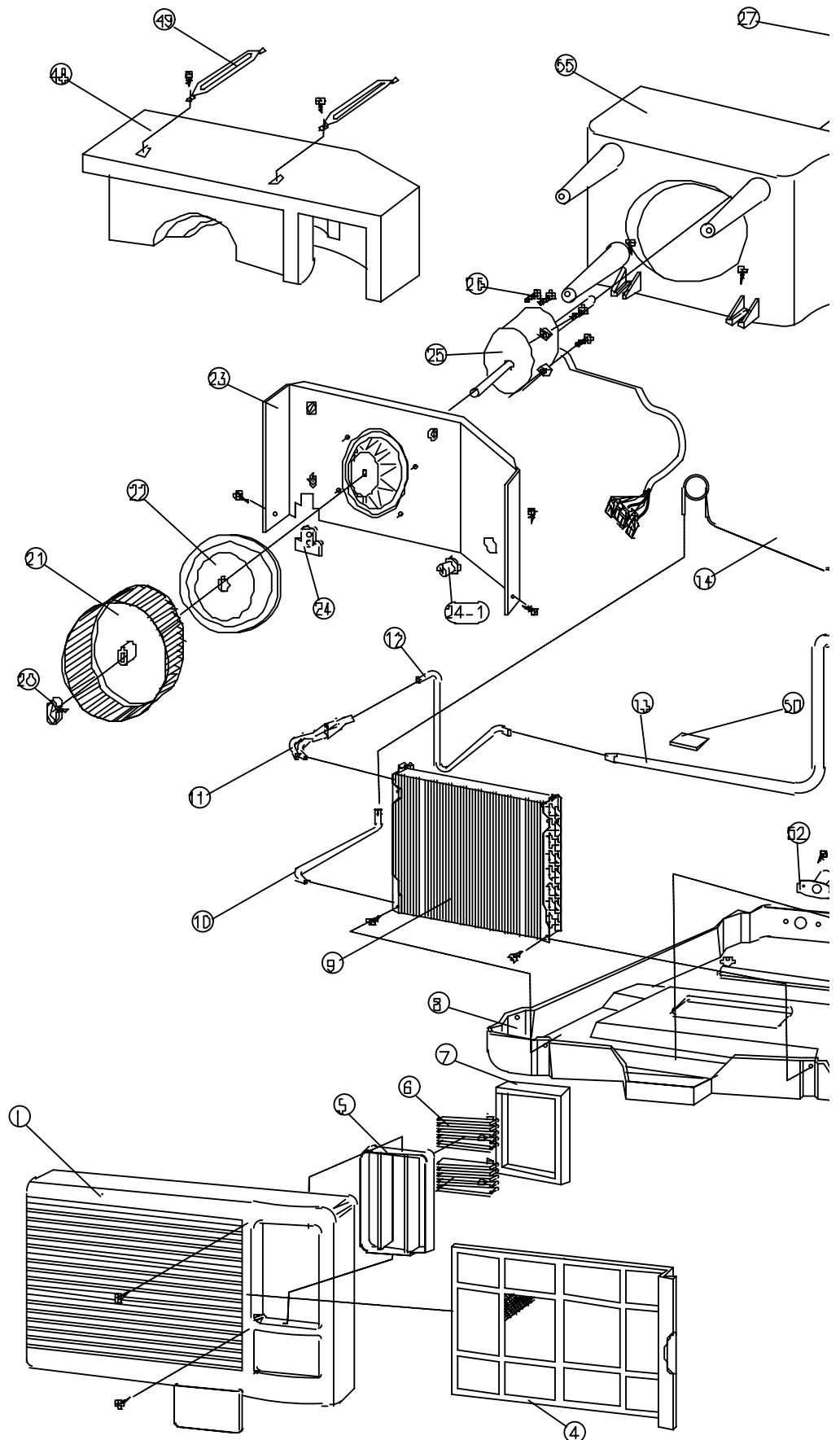
NO	CODE	COMPONENTS	Q'TY	SPECIFICATION	REMARK
16	3104425820	PIPE DISCHARGE	1	C1220T-O OD7.94	DWA,B-122R,123R,124R(ONLY)
	3104425810	PIPE DISCHARGE	1	C1220T-O OD7.94	DWA-150R(ONLY)
	3104425830	PIPE DISCHARGE	1	C1220T-O OD7.94	DWA-151R,152R(ONLY)
17	3100063500	PIPE COND OUT AS	1	C1220T-O OD7	DW*-121R,122R,123R,124R(ONLY)
	3100063510	PIPE COND OUT AS	1	C1220T-O OD7	DWA-150R,151R,152R(ONLY)
18	3100063400	PIPE COND IN AS	1	C1220T-O OD7	DW*-121R,122R,123R,124R(ONLY)
	3100063410	PIPE COND IN AS	1	C1220T-O OD7	DWA-150R(ONLY)
	3100063420	PIPE COND IN AS	1	C1220T-O OD7	DWA-151R,152R(ONLY)
19	3106800300	ASS'Y CONDENSOR	1	3R2C, ø7	
19-1	3108504300	SEAL COND TOP	1	F-US	
20	3101202800	CLIP FAN	2	SK-5	
21	3101802600	PAN BLOWER	1	ABS	
22	3101404100	COVER MOTOR	1	EPS	
23	3104202000	PANEL HOUSING	1	SGCC T1.0	
24	3102000500	FIXTURE RUBBER	1	NBR	
24-1	3100000010	BUSHING GUIDE	1	NBR	
25	3108004920	MOTOR FAN	1	DAEWOO MOTOR (AM 12DWD10)	DWC-121R,124R(ONLY)
	3108005020	MOTOR FAN	1	DAEWOO MOTOR (AM 12DWD12)	DWA-121R,DWA-122R,124R(ONLY)
	3108006000	MOTOR FAN	1	OBM2502U1	DWA-121R,DWA-122R,124R(ONLY)
	3108005110	MOTOR FAN	1	DAEWOO MOTOR (A9525CA070)	DWB-121R,DWB-122R,123R,124R(ONLY)
	3108006100	MOTOR FAN	1	OBM2501P2	DWB-121R,DWB-122R,123R,124R(ONLY)
	3108005220	MOTOR FAN	1	DAEWOO MOTOR (AM 12DWD11)	DWA-150R,151R,152R(ONLY)
	3108006200	MOTOR FAN	1	OBM2503U1	DWA-150R,151R,152R(ONLY)
26	7007501211	SCREW HEX	4	5x12 MFZN	
27	3101802700	FAN PROPELLER	1	ABS+GF20%	
28	3102201100	WINDOW KIT FRAME(L)	1	HIPS	
29	3102201000	WINDOW KIT FRAME(R)	1	HIPS	
30	3100604200	PLATE WINDOW TOP	1	SGCC T1.2	
31	3100801400	CABINET ASSY	1	SGCC T0.8	
32	3100604300	BRACKET WINDOW LOWER	2	SGCC T0.8	
33	3100604500	BRACKET SILL	2	SGCC T1.6	
34	3106600600	SCROLL LOWER	1	EPS	
35	3103700100	LEVER VENT	1	PP	
36	3103700100	WASHER VENT	1	PP	
37	3104600100	RING VENT	1	NBR	
38	3106700400	CAM	1	POM	
39	7141300611	SCREW TAPPING	4	PAN 3x6	

NOTE: \* → A or B or C

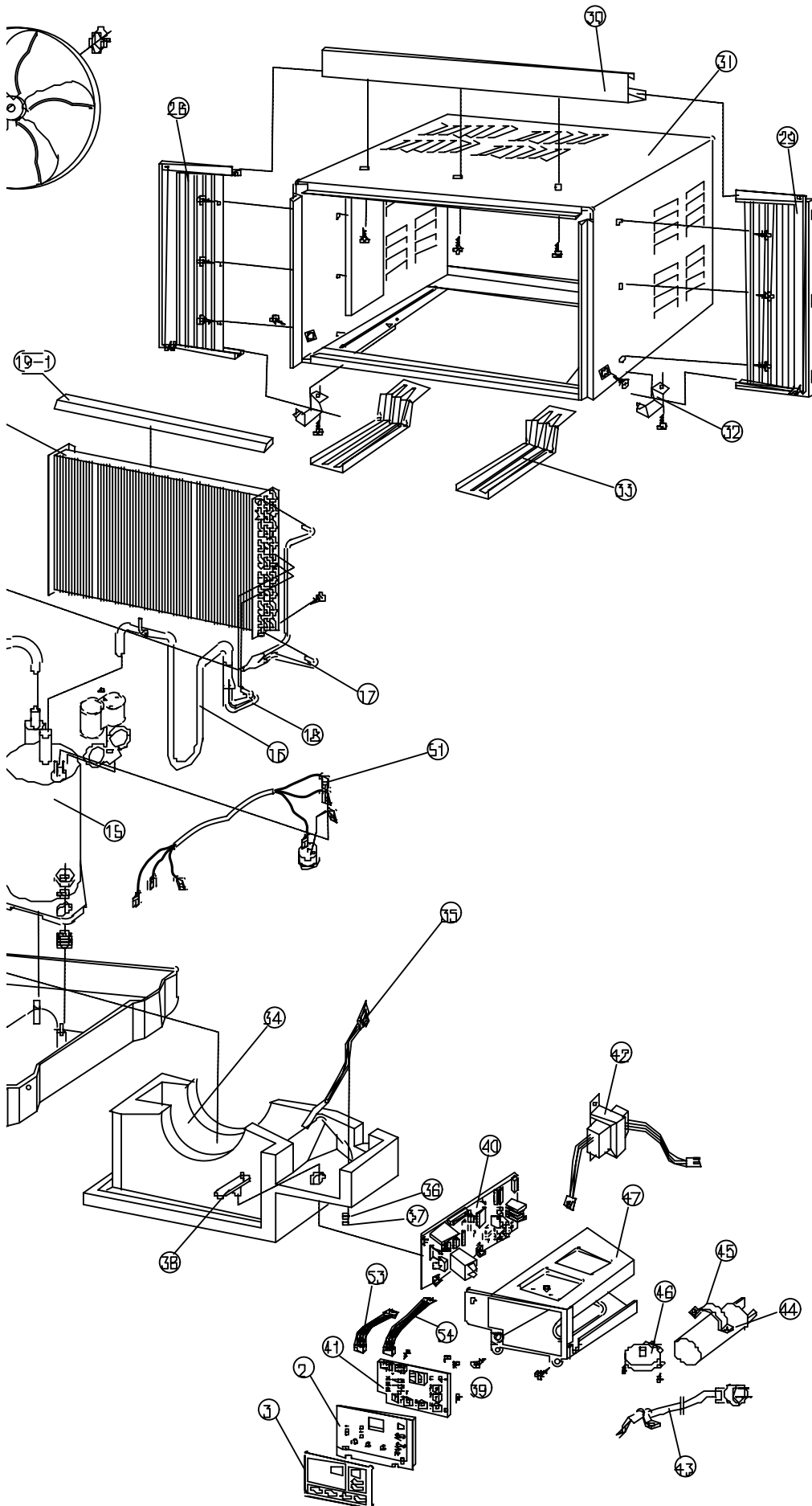
NO	CODE	COMPONENTS	Q'TY	SPECIFICATION	REMARK
40	3104302300	PCB MAIN AS	1	—	
41	3104302400	PCB FRONT AS	1	—	
42	5EPU04000	TRANSFORMER	1	DWA-220B(115V/60Hz)	DWC-121R,124R(ONLY)
	5EPU04100	TRANSFORMER	1	DWA-230A(220V/60Hz)	DWA-121R,122R,124R,150R,151R,152R(ONLY)
	5EPN04300	TRANSFORMER	1	DWA-230V(230V/50Hz)	DWB-121R,DWB-122R,123R,124R(ONLY)
43	3101300300	POWER CORD	1	KKP-30B,13A 125V	DWC-121R,124R(ONLY)
	3103001600	POWER CORD	1	WS-001I 250V 13A	DWA-121R,122R,124R,150R,151R,152R(ONLY)
	3101300600	POWER CORD	1	KKP-4819R 250V 10A	DWB-121R,DWB-122R,123R,124R(ONLY)
44	3109503100	CAPACITOR	1	12/40µF,370VAC	DWC-121R,124R(ONLY)
	3109503110	CAPACITOR	1	12/40µF,370VAC	DWC-121R,124R(ONLY)
	3109503200	CAPACITOR	1	5/25µF,370VAC	DWA-121R,DWA-122R,124R(ONLY)
	3109503210	CAPACITOR	1	5/25µF,370VAC	DWA-121R,DWA-122R,124R(ONLY)
	3109505100	CAPACITOR	1	5/35µF,400VAC	DWB-121R,123R(ONLY)
	3109505110	CAPACITOR	1	5/35µF,400VAC	DWB-121R,123R(ONLY)
	3109507700	CAPACITOR	1	5/35µF,400VAC	DWB-121R,123R(ONLY)
	3109507710	CAPACITOR	1	5/35µF,400VAC	DWB-121R,123R(ONLY)
	3109507000	CAPACITOR	1	5/30µF,400VAC	DWB-122R,124R(ONLY)
	3109507010	CAPACITOR	1	5/30µF,400VAC	DWB-122R,124R(ONLY)
	3109503410	CAPACITOR	1	4/25µF,370VAC	DWA-150R,151R,152R(ONLY)
45	3101201600	CLAMP CAPACITOR	1	SGCC T0.8	
46	3108004800	MOTOR SWING	1	120VAC 60HZ	DWC-121R,124R(ONLY)
	3108009700	MOTOR SWING	1	200/220V 50/60HZ	DWA-121R,122R,124R,150R,151R,152R DWB-121R,122R,123R,124R(ONLY)
47	3100508510	BOX CONTROL	1	SGCC T0.8	
48	3106600500	SCROLL UPPER	1	EPS	
49	3103002800	HOLDER SCROLL	2	SGCC	
50	3104409300	PIPE RUBBER BUTYL	1		
51	3102707500	HANESS COMP AS	1	UL1015-14,BLK,RED,WHT	DWC-121R,124R(ONLY)
	3102708801	HANESS COMP AS	1	UL1015-16,BLK,RED,WHT	DWA-121R,122R,124R,150R,151R,152R DWB-121R,122R,123R,124R(ONLY)
52	3103200500	CAP DRAIN	1	ABS	
53	3102708500	HARNESS DISPLAY 1	1	UL1007-22(8COLOR)	
54	3102708600	HARNESS DISPLAY 2	1	UL1007-22(10COLOR)	
55	3101404200	COVER ORIFICE	1	PP(H-540)	

NOTE: \* → A or B or C

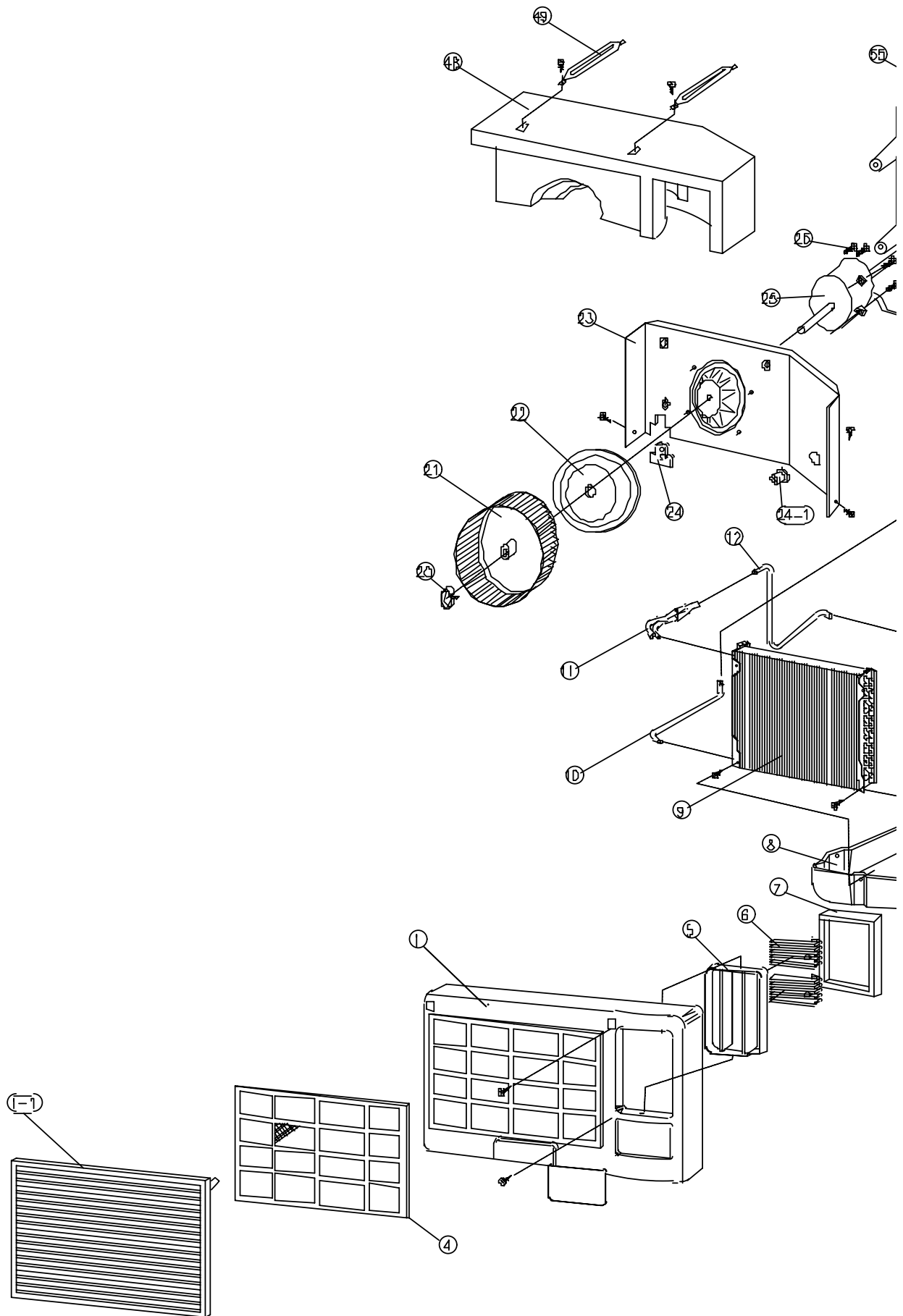
■ DWA-121R, DWA-122R, DWB-121R, DWB-122R, DWB-123R, DWC-121R, DWA-150R,

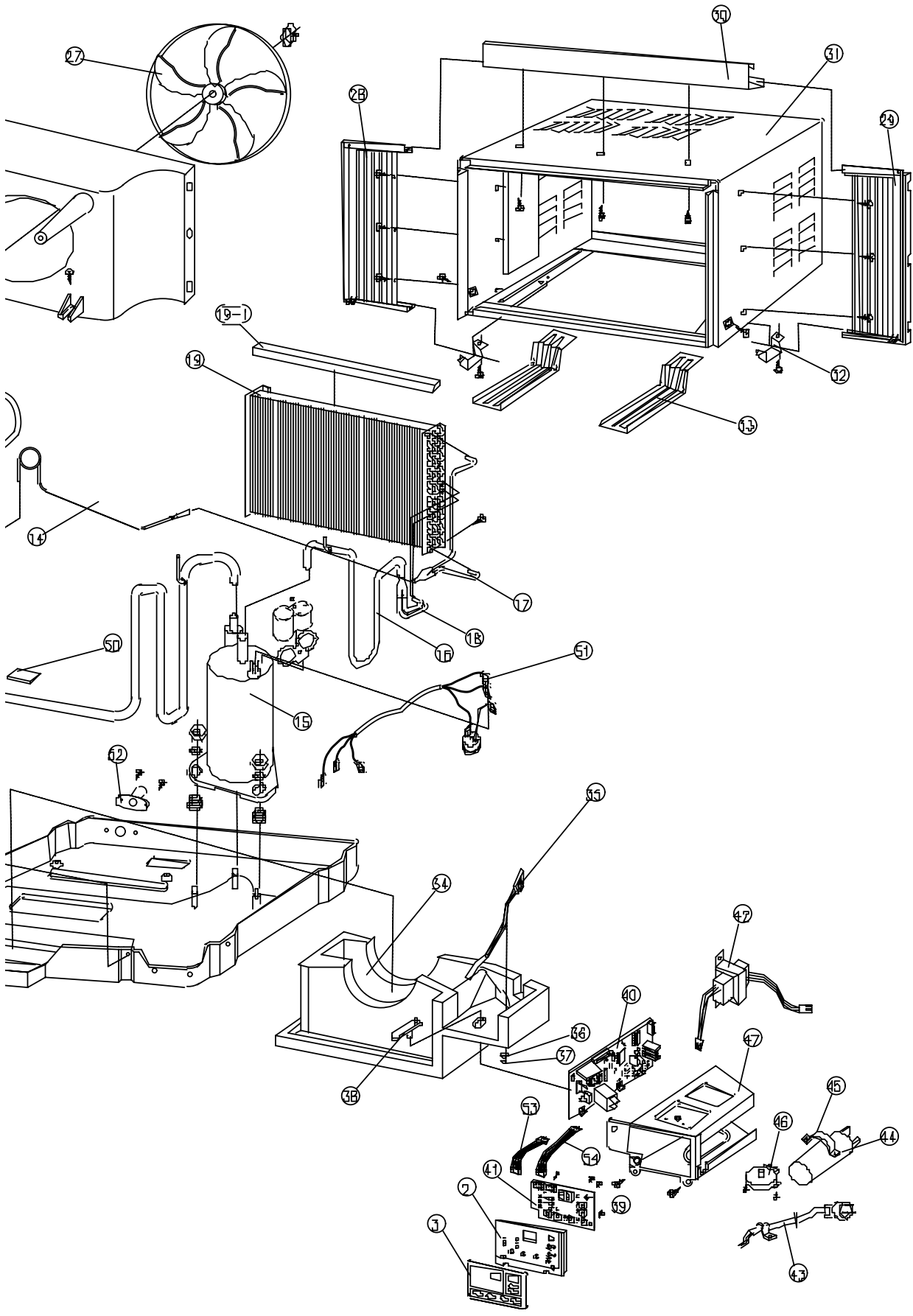


# -151R DWA-151R EXPLODED DIAGRAM



■ DW\*-124R, DWA-152R EXPLODED DIAGRAM (NOTE: \*→A or B or C)







**DAEWOO**

**DAEWOO ELECTRONICS CO., LTD.**

686, AHYEON-DONG MAPO-GU SEOUL, KOREA

C.P.O. BOX 8003 SEOUL, KOREA

TELEX: DWELEC K28177-8

CABLE: "DAEWOOELEC"

FAX: 02) 590-6291

TEL: 02) 360-7114/590-6151-5

<http://www.dwe.daewoo.co.kr>

PRINTED DATE: APR. 2002

S/M NO.: DWC121R040

## Free Manuals Download Website

<http://myh66.com>

<http://usermanuals.us>

<http://www.somanuals.com>

<http://www.4manuals.cc>

<http://www.manual-lib.com>

<http://www.404manual.com>

<http://www.luxmanual.com>

<http://aubethermostatmanual.com>

Golf course search by state

<http://golfingnear.com>

Email search by domain

<http://emailbydomain.com>

Auto manuals search

<http://auto.somanuals.com>

TV manuals search

<http://tv.somanuals.com>