

Danby®

USE AND CARE MANUAL MANUEL D'UTILISATION

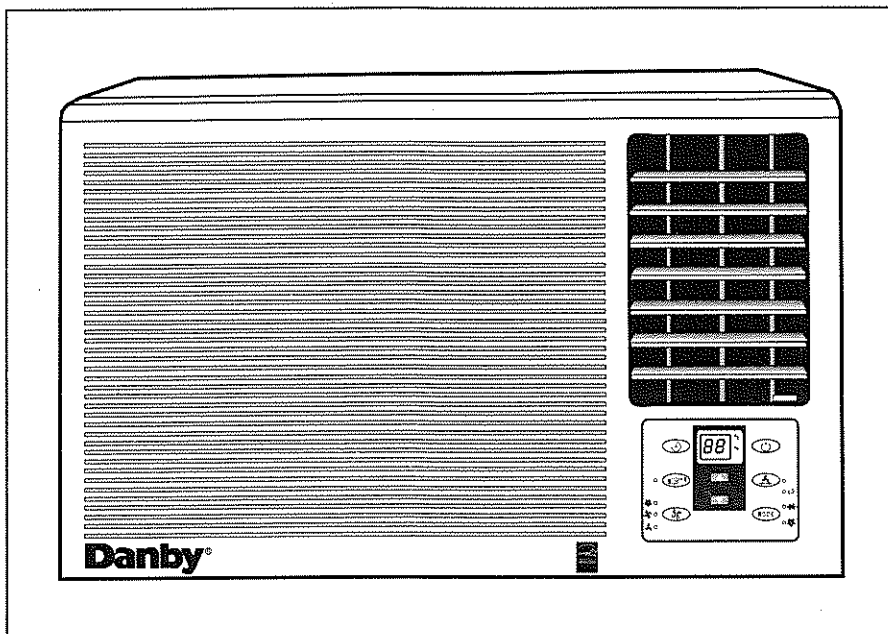
Model • Modèle
DAC5277EE

CAUTION:

Read and Follow All Safety Rules
and Operating Instructions Before
First Use of This Product.

PRÉCAUTION:

Veillez lire attentivement
les consignes de sécurité et les
instructions d'utilisation avant
l'utilisation initiale de
ce produit.



Danby®

Room Air Conditioner

Table of contents 1

Danby®

Climatiseur de pièce

Table of contents 15

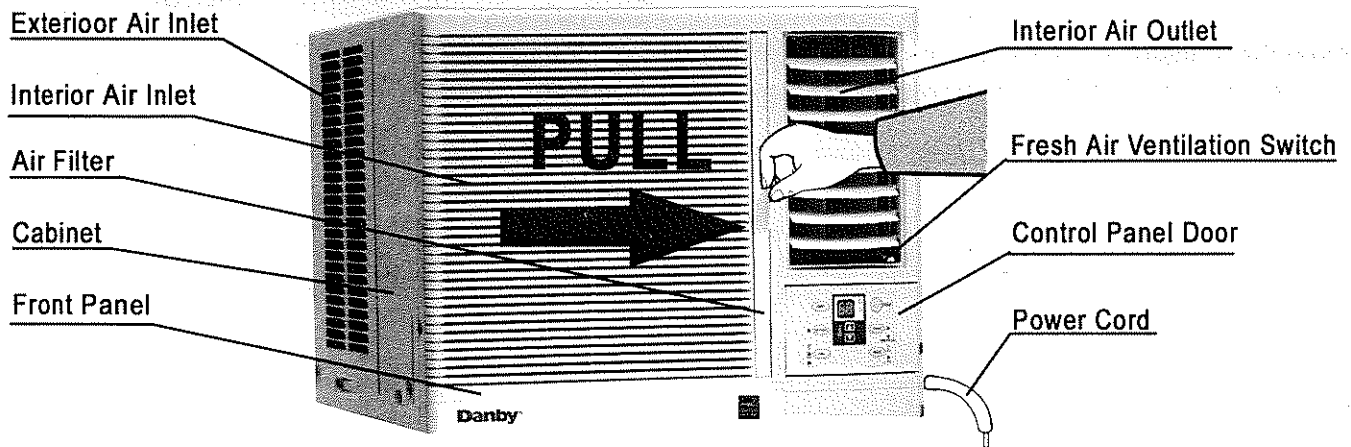


Danby Products Limited, Guelph, Ontario Canada N1H 6Z9
Danby Products Inc., Findlay, Ohio USA 45839-0669

Table of Contents

	Page
Introduction	2
Unit Specifications	2
Electrical Specifications	3
Energy-Saving Tips	4
Window Installation	4
Operating Instructions	11
Care and Maintenance	12
Trouble Shooting Guide	13
Warranty	14

Parts Identification



Introduction

Thank you for choosing a **Danby** Room Air Conditioner to cool your home. This Use and Care Manual provides information necessary for the proper care and maintenance of your new Room Air Conditioner. If properly maintained, your air conditioner will give you many years of trouble free operation. To avoid installation difficulties, read these instructions completely before installing/operating your unit.

NOTE: This unit is **NOT** designed for through-the-wall installation.

For easy reference, you may want to attach a copy of your sales receipt to this page. Note following information provided (*on the manufacturer's nameplate located on the right side of the unit above the power cord*). This information will be needed when you contact a Customer Service Representative.

Model Number: DAC5277EE

Serial Number: _____

Date of Purchase: _____

Dealer's Name and Address: _____

Refer to the trouble shooting section of this Use and Care Manual if the unit is not operating correctly. If these suggestions do not solve the problem, contact an authorized service representative or call Danby TOLL FREE: **1-800-26-Danby**

Keep these instructions for future reference.
This symbol denotes a caution or warning



	CAUTION	
Do not leave a room air conditioner unattended in a space where people or animals who cannot react to a failed unit are located. A failed unit can cause extreme overheating or death in such an enclosed, unattended space.		

Model No.	DAC5277EE	
Unit Specifications		
Voltage	115V/60Hz	
Cooling Capacity (Btu/h)	5,250	
Input Wattage	490	
Energy Efficiency Rating (EER)	10.7	
Fan/Cooling Speeds	3/3	
Cooling Area Coverage	175Sq.ft (16.3m ²)	
Noise Level (dB)	54	
Unit Dimensions		
Width	17.75"	(45.1cm)
Depth	16"	(40.6cm)
Height	12.75"	(32.4cm)
Window Kit Dimensions		
Maximum Width	38"	(96.5cm)
Minimum Width	21.5"	(54.6cm)
Minimum Height	14.5"	(36.8cm)
Shipping Weight	65lb	(29.5Kg)

NOTE: Specifications are subject to change without notice for further improvement.

Electrical Specifications


1. All wiring must comply with local and national electrical codes and must be installed by a qualified electrician. If you have any questions regarding the following instructions, contact a qualified electrician.
2. Check available power supply and resolve any wiring problems **BEFORE** installing and operating this unit.
3. This 115V air conditioner uses 12.0 or less nameplate amps and may be used in any properly wired, general purpose household receptacle. See Table 1 for specifications for individual branch circuit.
4. For your safety and protection, this unit is grounded through the power cord plug when plugged into a matching wall outlet. **If you are not sure whether your wall outlet is properly grounded, please consult a qualified electrician.**
5. The wall outlet (3-pin) must match the plug (3-pin) on the service cord supplied with the unit. **DO NOT** use plug adapters. See Table 2 for receptacle and fuse information. If it is necessary to use an extension cord to connect your air conditioner, use an approved "air conditioner" extension cord only. (available at most local hardware stores)
6. The rating plate on the unit contains electrical and other technical data. The rating plate is located on the right side of the unit, above the power cord.

Table 1: Suggested Individual Branch Circuit

Nameplate Amps	AWG Wire Size*
5.0 to 12	16

AWG- American Wire Gage
* Based on copper wire at 105°C temperature rating.

Table 2: Receptacle and Fuse Types

Rated Volts	125
Amps	13
Wall Outlet	
Fuse Size	15
Time Delay Fuse (or circuit breaker)	Plug Type

⚠ Important Safety Instructions ⚠

The power cord supplied with this air conditioner contains a current leakage detection device designed to reduce the risk of fire. Please refer to the section "Power Supply Cord" for details. In the event the power supply cord is damaged, it cannot be repaired; it must be replaced with a new cord from the Product Manufacturer.

- Under no circumstances should this device be used to turn the air conditioner on or off.
- The 'RESET' button must always be pushed in (engaged) for correct operation.
- The power supply cord must be replaced if it fails to reset when the 'TEST' button is pushed in.
- If the power supply cord is damaged, it cannot be repaired. It must be replaced with a new cord obtained from the Product Manufacturer.

Power Supply Cord

The power cord supplied with this air conditioner contains a device that senses damage to the power cord. To test if your power supply cord is working properly, you must do the following;

1. Connect the power supply cord to an electrical outlet.
2. The power supply cord is inclusive of two buttons located on the head of the plug. One button is marked 'TEST', the other button is marked 'RESET'. Press the 'TEST' button, you will hear a click as the 'RESET' button pops out.
3. Press the 'RESET' button, you will hear a click as the button engages.
4. The power supply cord is now energized and supplying electricity to the air conditioner. (On some products this is also indicated by a light on the plug head).

Energy-Saving Tips

Your Room Air Conditioner is designed to be highly efficient in energy savings. Follow these recommendations for greater efficiency.

1. Select thermostat setting that suits your comfort needs and leave thermostat at that chosen setting.
2. The filter is very efficient in removing airborne particles. Keep air filter clean. Normally, filter should be cleaned every 2 weeks. More frequent cleaning may be necessary depending on outdoor and indoor air quality.
3. Use drapes, curtains, or shades to keep direct sunlight from heating room, but **DO NOT** obstruct the air conditioner. Allow air to circulate around the unit without obstruction.

4. Start your air conditioner before outdoor air becomes hot and uncomfortable. This avoids an initial period of discomfort while unit is cooling off the room.
5. When outdoor temperatures are cool enough, use "☀" (HIGH FAN), "☁" (MED FAN) or "☁" (LOW FAN) only (depending on your model). This circulates indoor air, providing some cooling comfort, and utilizes less electricity than when operating on a cooling setting.

Window Installation

Electric Shock Hazard

To avoid the possibility of personal injury, disconnect power to the unit before installing or servicing.

Tools Needed for Window Installation

- Screw Drivers:** Both Phillips and flat head
- Power Drill:** 1/8 inch (3.2mm) diameter drill bit
- Pencil**
- Measuring Tape**
- Scissors**
- Carpenters Level**
- Adjustable Wrench**

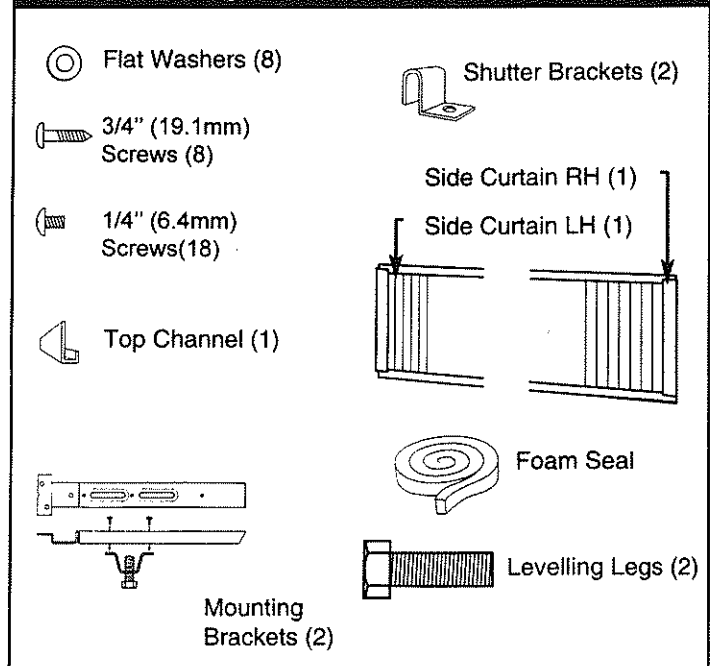
CAUTION

To avoid installation/operation difficulties, read these instructions thoroughly.

Your Room Air Conditioner is designed for easy installation in a single or double-hung window. **NOTE:** This unit is **NOT** designed for vertical (slider type) windows and/or through-the-wall applications. **NOTE:** Save the shipping carton and packing materials for future storage or transport of the unit. Remove from carton, the plastic bag containing the installation hardware kit necessary for the installation of your air conditioner. Please check the contents of hardware kit against the corresponding model check list, prior to installation of the unit.

See Fig. 1

Fig. 1 Installation Hardware



CAUTION

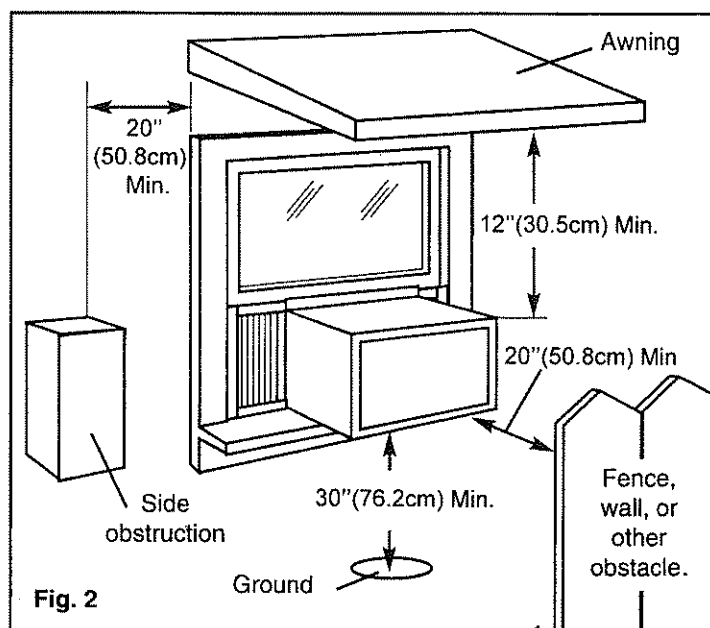
Because the compressor is located on the controls side of the unit (right side), this side will be heavier and more awkward to manipulate. Inadequate support on control side of the unit can result in personal injury and damage to your unit and property. Therefore, it is recommended to have someone assist you during the installation of this unit.

Your unit is designed to evaporate condensation under normal conditions. However, under extreme humidity conditions, excess condensation may cause basepan to overflow to the outside. The Unit should be installed where condensation run-off cannot drip on pedestrians or neighboring properties.

A drain tube connection (excluding hose) is provided to redirect condensation overflow. See Fig. 25.

Select the Best Location

- A.** This room air conditioner is designed to fit easily into a single or double hung window. However, since window designs vary, it may be necessary to make some modifications for safe, proper installation.
- B.** Make sure window and frame are structurally sound and free from dry and rotted wood.
- C.** For maximum efficiency, install the air conditioner on a side of a house or building which favors more shade than sunlight. If the unit is in direct sunlight, it is advisable to provide an awning over the unit.
- D.** Provide sufficient clearance around the cabinet to allow for ample air circulation through the unit. See Fig. 2. The rear of the unit should be outdoors and not in a garage nor inside a building. Keep unit as far away as possible from obstacles/obstructions and at least 30" (76.2cm) above the floor or ground. Curtains and other objects within a room should be prevented from blocking the air flow.
- E.** Be certain the proper electrical outlet is within reach of the installation. Use only a single outlet circuit rated at 15 amps. All wiring should be in accordance with local and national electrical codes.
- F. DO NOT USE "REGULAR" EXTENSION CORDS WITH THIS UNIT.** If it is necessary to use an extension cord to connect your air conditioner, use an approved "air conditioner" extension cord only. (available at most local hardware stores)
- G. DO NOT** install unit where leakage of combustible gas is suspected. Your air conditioner may fail to operate in air containing oils (including machine oils), sulfide gas, near hot springs, etc...



springs, etc...

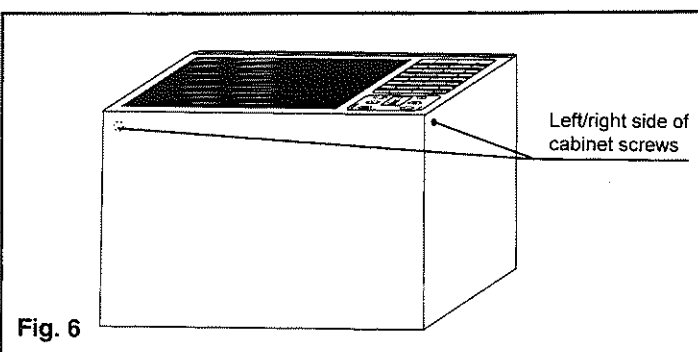
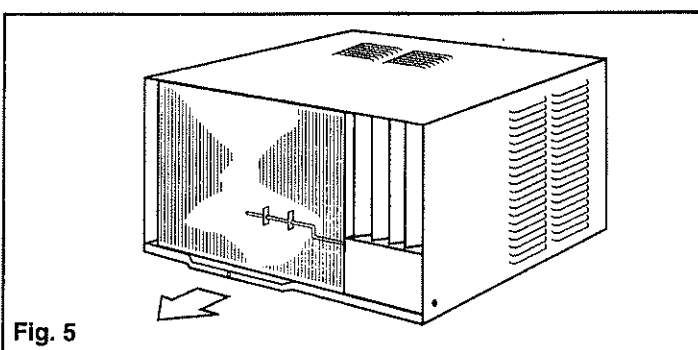
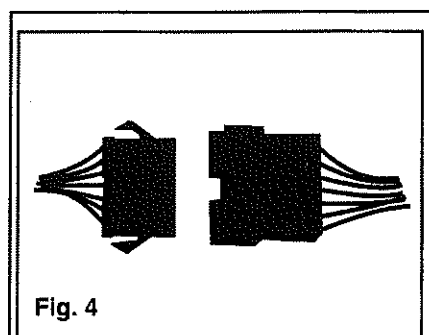
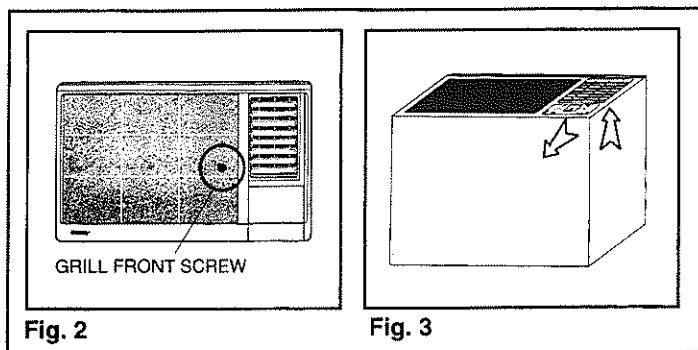
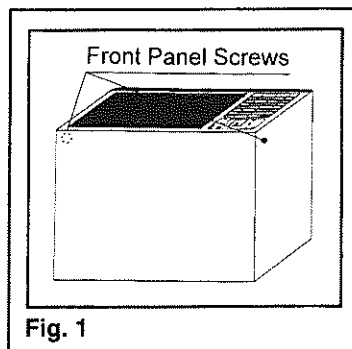
1. Preparation to Remove the Air Conditioner Slide-Out Chassis

- Position the air conditioner in the normal (upright) position.
- Remove the air filter by grasping the filter handle (on front grill) and sliding it to the right.
- Remove the phillips screw (behind filter) securing the grill front to the chassis. (Fig. 3)
- Remove the phillips screws located on the (lower left/right) edge of front grill. (Fig.1)
- To remove the front grill, grasp the lower front corner of the grill, pulling (gently) outward and upward. (Fig.3)
Repeat this step on the 3 remaining corners.
- Before the front grill can be completely removed from the cabinet, it will be necessary to disconnect the (male/female) electrical wire harness located directly behind the front grill. (Fig 4)
- Remove the two phillips screws (lower left/right side of cabinet) securing the slide-out-chassis to the cabinet. Fig.6

NOTE: These screws must be reinstalled upon completion of the window installation. (to secure slide-out-chassis)

NOTE: Some models may be inclusive of an additional (slide-out chassis) retaining bracket and screw located at the front of the chassis. This bracket and screw must also be removed before attempting to remove the slide-out chassis. Fig. 5

- Grasp the pull handle at the front of the slide-out-chassis and carefully slide the air conditioner out of the cabinet. (Fig.5)
Please seek assistance for this procedure.



2. Assembly of the Upper & Lower Channels, to Cabinet.

- **"L" Shaped Top Channel:** Install the "L" shaped channel to the top of the cabinet as shown in Fig.8 using four (4) 1/4"(6.4mm) screws.
- **"U" Shaped Bottom Channel:** Install the "U" shaped channel to the bottom of the cabinet as shown in Fig.8 using four (4) 1/4"(6.4mm) screws.
NOTE: Some models may already have the bottom channel factory installed.

2a. Assembly of the Side Curtains to Cabinet.

- Slide the shutters into the top and bottom channels as shown in Fig. 9. The shutters are identified (on frame) as left & right. Attach the shutters to the cabinet using four 1/4"(6.4mm) screws on each side.

3. Installation of Mounting Brackets and First Sealing Strip

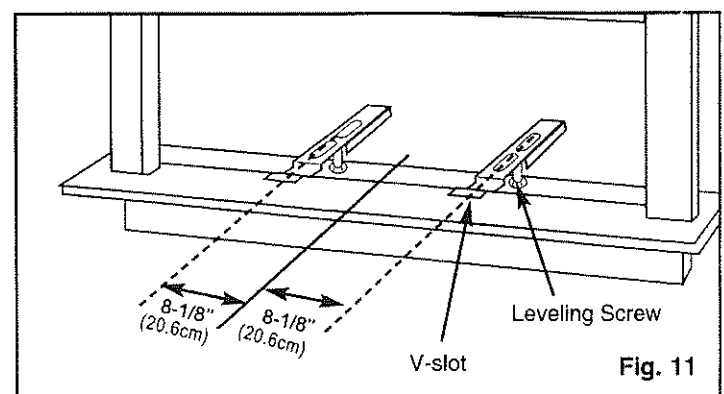
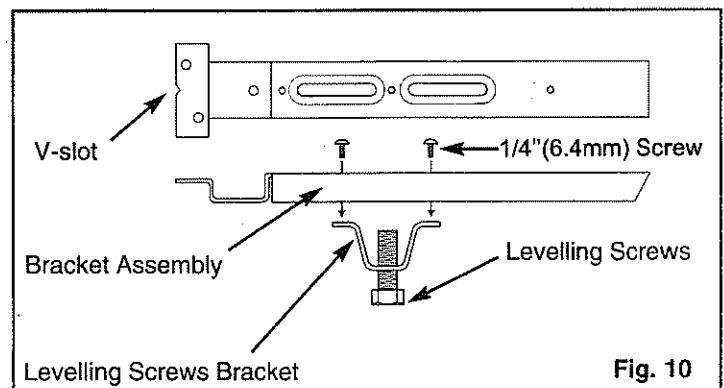
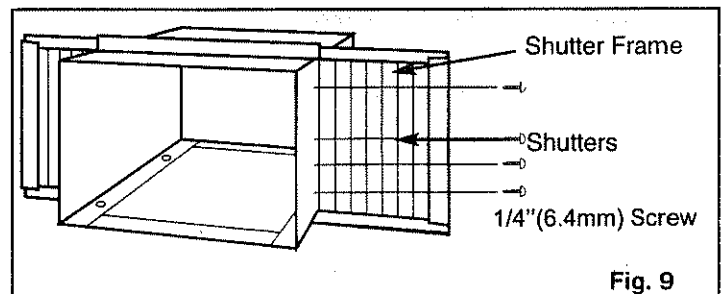
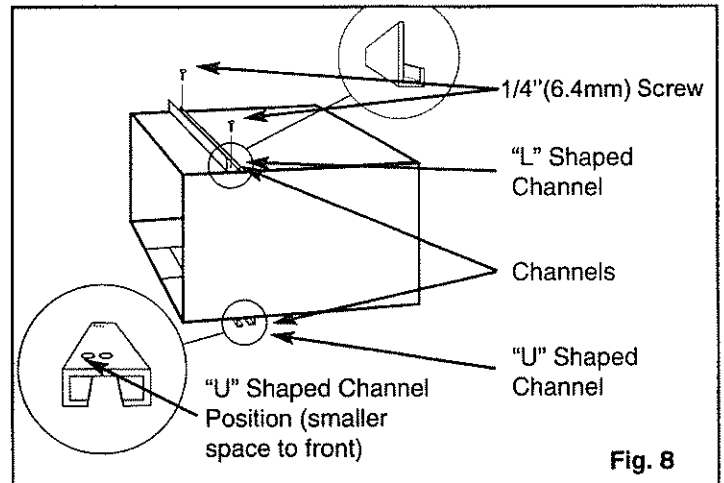
SPECIAL NOTE: Window applications come in a variety of different styles. Therefore, it may be necessary to modify or improvise your particular installation.

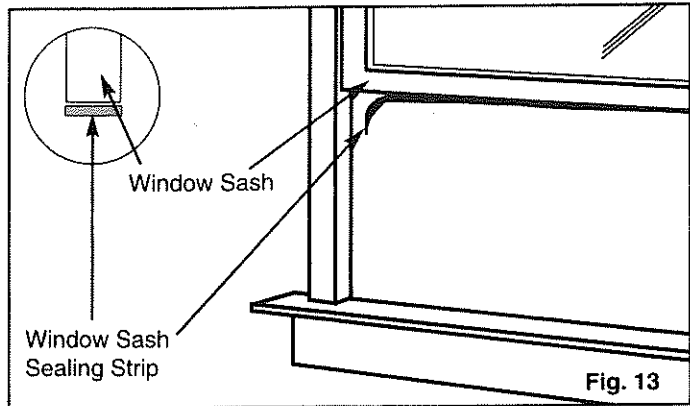
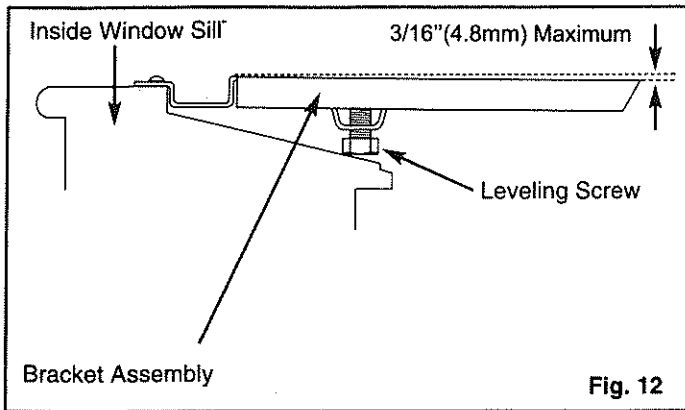
- 3a. Assemble the leveling screw bracket to the bracket assembly as shown in Fig.10,using four (4) 1/4"(6.4mm) screws provided. install the leveling screws into each of the leveling screw brackets. (this will require the use of an adjustable wrench)

- 3b. Measure the inside window sill length and find the center as shown in Fig.11.From this line, measure **8-1/8"(20.6cm)** on each side and mark these points. Align the **V-slot** in each bracket on these marks and mount to the sill using four **3/4"(19.1mm)** screws provided.Brackets should be perpendicular to the inside window sill,with step in bracket tight against the sill.**See Fig.12.**

- 3c. Adjust the **leveling screws** until the brackets tilt no more than **3/16"(4.8mm)** downward to the outside. Do not allow the brackets to slant inward as condensation could possibly drip on interior walls and floors. **See Fig.12**

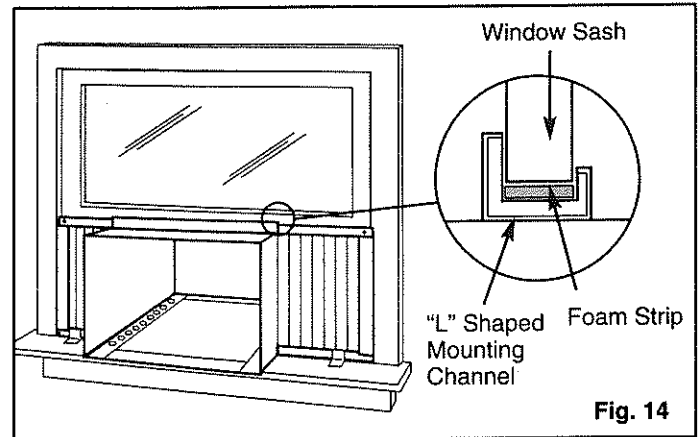
- 3d. Cut the **1st foam sealing strip** to fit the underside of the bottom **winsow sash**. Remove the peel-off backing on the foam and attach it to the sash. See **Fig.13.**



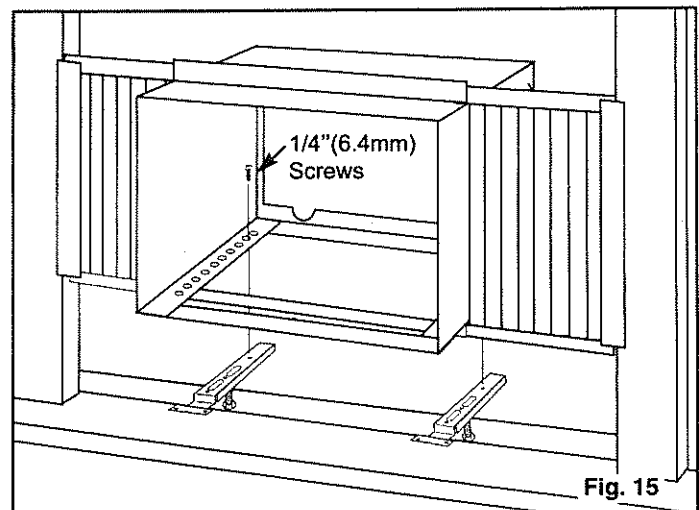


4. Installation of the Cabinet

4a. Place the air conditioner cabinet into the window with the **“L” shaped mounting channel** (on top) positioned in front of the upper window sash. The **“U” shaped channel** on the bottom of the cabinet should be positioned in the “recessed” portion of the track located at the front of the window bracket assemblies. Pull the window down until it rests just behind the front flange of the (top) **“L” shaped mounting channel**. See Fig. 14.

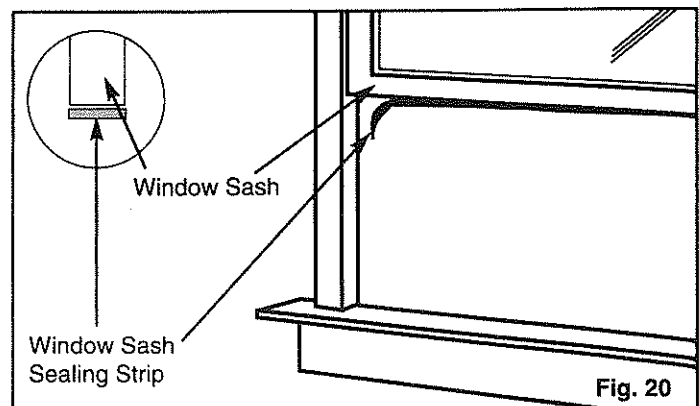


4b. Align one hole in the bottom of the cabinet with one hole in the bracket assembly. Secure the cabinet to the bracket using a **1/4” (6.4mm) screw** provided. Repeat the same procedure on the opposite side of the cabinet. See Fig. 15



4c. Check to make sure that the cabinet is slanted slightly downward on the outside. If necessary, re-adjust the levelling screws in the support brackets.

4d. Cut the **first foam sealing strip** to fit the underside of the bottom **window sash**. Remove the peel-off backing on the foam and attach it to the sash. See Fig. 13.

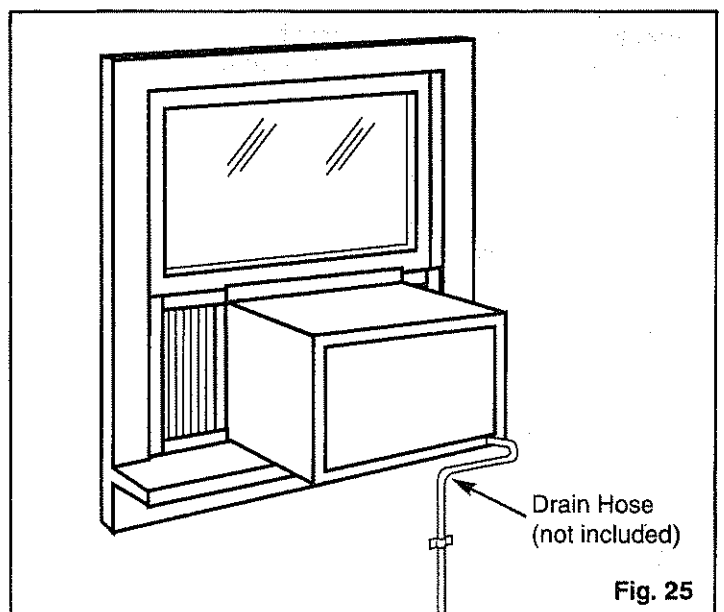
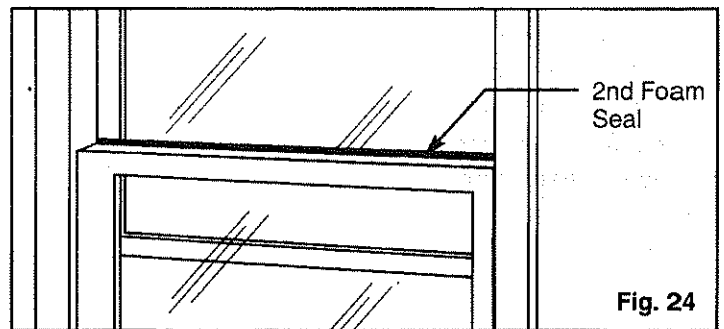
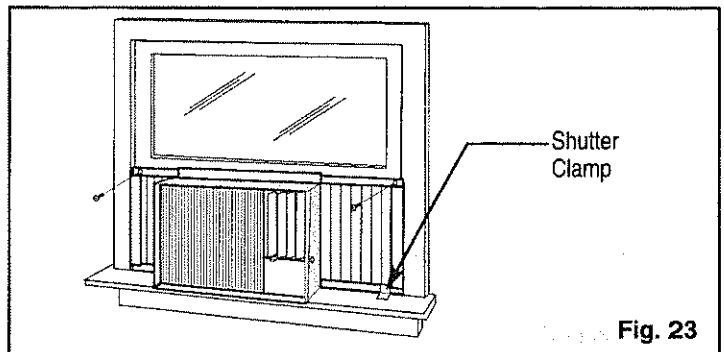
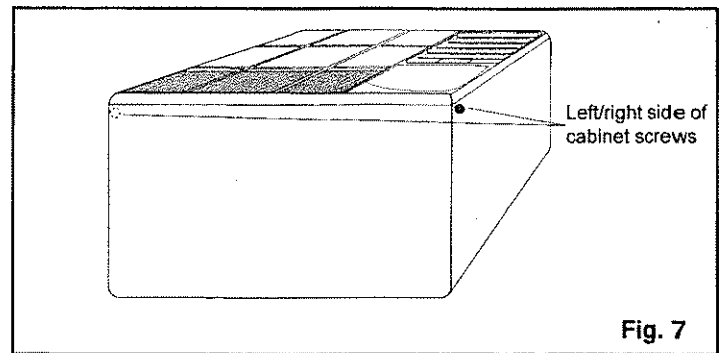


5. Completing the Installation for All Models

- Carefully slide the air conditioner back into the cabinet. (in window)
(please seek assistance for this procedure)
Reinstall (slide-out-chassis) security screws removed earlier on the (lower left/right) side of the cabinet. (Fig.7)
- Expand the shutter frames (fully) on each side and secure the top of the frames to the window sash using one 3/4" (19.1mm) screw & flat washer on each side. (Fig.23)
- Install shutter clamp on each side of the (lower) shutter and secure to window sill using one 3/4" (19.1mm) screw & flat washer on each side. (Fig.23)

5a. Reinstalling Front Panel Grill:

- Position the front panel assembly on the cabinet starting at the top. The front panel lock tabs must be inserted into the retaining slots in the cabinet.
Repeat this procedure on all sides, making sure the fresh air ventilation lever arm and power cord are properly installed back to their original position.
- Secure the front grill to the cabinet using the phillips screws removed earlier. Fig's.1 & 2.
- Install the air filter.
- Cut the **second foam seal** to fit the opening between the top of the inside and outside window. (Fig. 24.)
- Some installations may require additional sealing around the window and air conditioner. Check for any air leaks and seal where necessary.
- Under very humid conditions, water removal may be excessive enough to overflow from the rear of the unit or increase noise levels of the air conditioner. If this occurs, consider attaching a standard **drain (garden) hose (not included)** to the drain plug at the rear of the unit, allowing condensation to run off conveniently. (Fig. 25.)



7. Electronic Control Features

LED DISPLAY: The LED window displays the following information independently.

- Set Cooling Temperature
- Ambient Room Temperature
- Auto on/off Timer Programs
- E1 = (Clean Air Filter)

NOTE: During normal operating conditions, (after all settings are complete) the LED readout will always default to show (display) the "ambient room temperature". In order to view the "set" temperature of the air conditioner, press either of the temperature

▲ key pads once.

⏻ **POWER SWITCH:** turns power on/off

"↻" (**SWING**): Activates the automatic air swing (oscillation) feature.

"⏻" (**ENERGY SAVER**): Press and hold the "↻" (SWING) keypad for 3 seconds to activate the ENERGY SAVER program. This program is designed to reduce energy consumption by limiting (restricting) operation of the fan motor with the operation of the compressor. i.e.
Compressor off/fan off
Compressor on/fan on

NOTE: When the ENERGY SAVER feature is not selected, the fan motor operates continuously, even after the compressor (cooling mode) has cycled off. i.e.

compressor on / fan on
compressor off / fan on

MODE: Activates the FAN or COOLING mode.

"⌚" (**TIMER**): Activates the auto start or auto stop timer program from 0~12 hours. (1 hour increments).

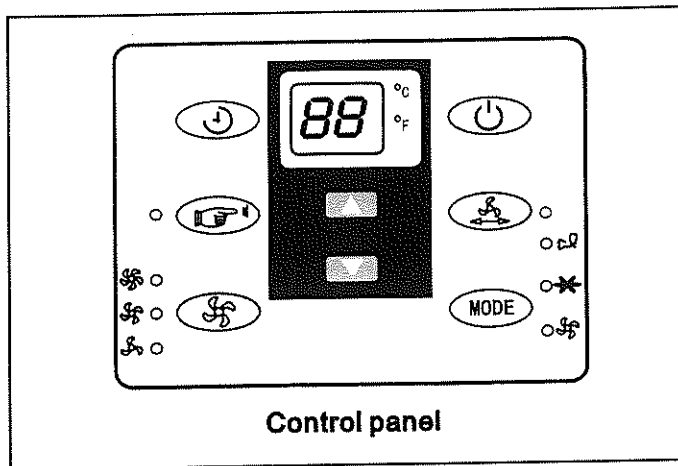
"👉" (**ONE TOUCH**): Activates a (factory) pre-set temperature setting of 22°C (+/-2°C) 71.6°F.

"🌀" (**FAN**): Activates fan speed settings.

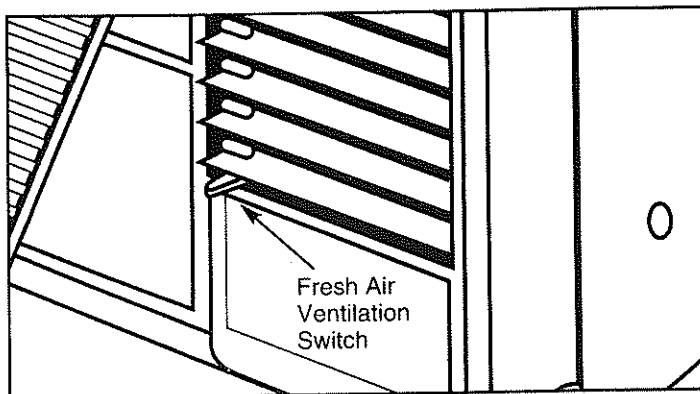
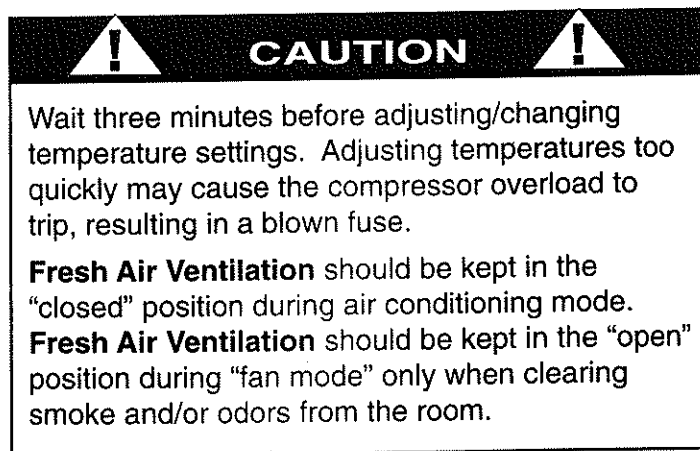
"🌀" (high fan), "🌀" (medium fan), "🌀" (low fan).

▲ **KEYPAD:** Activates (increases) temperature settings.

▼ **KEYPAD:** Activates (decreases) temperature settings.



Control panel



OPERATING INSTRUCTIONS

(POWER):

Press the **POWER** keypad to turn the unit on/off.

TEMPERATURE SETTINGS:

Press the up keypad to increase the set (operating) temperature of the air conditioner. Each time the keypad is pressed the temperature is increased as follows;

2°F (Farenheight Scale) Maximum Setting 90°F
1°C (Celsius Scale) Maximum Setting 31°C

TEMPERATURE SETTINGS:


Press the down keypad to decrease the set (operating) temperature of the air conditioner. Each time the keypad is pressed the temperature is decreased as follows;

2°F (Farenheight Scale) Minimum Setting 60°F
1°C (Celsius Scale) Minimum Setting 16°C

(SWING):

Press the **SWING** keypad to activate the automatic air swing (oscillation) feature. The green pilot light adjacent to the SWING keypad will illuminate, identifying the selected mode is operational. The vertical louvers will oscillate back and forth (side to side) automatically sweeping cold air alternately for comfortable cooling. To stop the air swing feature, press the SWING keypad again, the green pilot light adjacent to the keypad will go off.

(ENERGY SAVER):

To activate the ENERGY SAVER feature, press and hold the  (SWING) keypad for 3 seconds.

The green pilot light directly above the ENERGY SAVER mode will illuminate, identifying the selected mode is operational. The ENERGY SAVER program helps to reduce energy (electricity) consumption by controlling (limiting) operation of the fan motor with the operation (cycles) of the compressor. i.e.
compressor off / fan off
compressor on / fan on

If the ENERGY SAVER feature is not activated, the fan will operate continuously, even after the compressor has cycled off. i.e.

compressor on / fan on
compressor off / fan on

NOTE: The energy saver feature operates in "cooling" mode only.

MODE: Press this keypad to select the appropriate operating mode. (Fan / Cool) Each depression of the MODE keypad will alternate between the "COOLING" and "FAN" mode. The green pilot light

directly above the COOL or FAN mode will illuminate, identifying the selected mode is operational.

(TIMER).

Press this keypad to activate the "auto start / auto stop" timer programs. Auto start/stop programs can be programmed from 0 ~ 12 hours. Each depression of the TIMER keypad will increase the selected time in 1 hour increments.

AUTO -START:

Before activating the "auto - start" program, you must first select (set) the operating conditions of the air conditioner. (i.e. temperature setting and fan speed). Once the settings are complete, the air conditioner must be switched off. (non-operational) Depress the TIMER keypad and the auto-start time will appear in the LED display, select the required time (0 ~ 12hours) and the air conditioner will start automatically at the established time.

AUTO -STOP:

Turn the air conditioner on and select the required operating conditions. (i.e. temperature setting and fan speed). Depress the TIMER keypad and the time will appear in the LED display, select the required auto stop time, (0 ~ 12hours) and the air conditioner will stop automatically at the established time.

NOTE: It is not possible to operate both the "auto-start" and "auto-stop" feature within a single program. All auto-timed programs are automatically erased after the set program is complete.

(ONE TOUCH):

Press this keypad to activate a pre-set (factory) temperature setting of 22°C + / - 2°C (71.6°F). The air conditioner will operate and maintain the indoor temperature at this setting.

OPERATING INSTRUCTIONS CONTINUED

"FAN" (FAN):

Press this keypad to activate the appropriate fan speed setting. Each depression of the keypad will alternate through High, Medium, Low fan speed options. The green pilot light directly above the FAN speed option will illuminate, identifying the fan speed selected.

E1 = CLEAN AIR FILTER:

A message prompt "E1" will automatically appear in the LED window indicating, when it is time to clean the air filter. The E1 program is a (built-in) time device that operates based on total (air conditioner) running time. It is very important to keep the air filter clean at all times in order to maximize cooling efficiency. (See Cleaning Air Filter) The air filter "must" be cleaned when the "E1" message is displayed. To cancel (eliminate) the E1 message from the LED display, the air conditioner "must" be disconnected (unplugged) from the power supply and re-connected. This action automatically re-sets the "E1" program internal time device.

NOTE: In the event of a power failure, the "E1" program is automatically re-set, therefore we suggest you remove and clean the filter before re-starting the unit.

TEMPERATURE DISPLAY CELSIUS / FARENHEIGHT:

It is possible to change the LED temperature display to read "Celsius" or "Farenheight", by pressing the (temperature) \updownarrow keypads simultaneously. The green pilot light under the "C/F" (temperature symbol) will illuminate, identifying the mode selection.

CARE AND MAINTENANCE

When servicing the air conditioner, be sure to turn the air conditioner to the "OFF" position and disconnect the power cord from the electrical outlet.

1. **DO NOT** use gasoline, benzine, thinner or other chemicals on the air conditioner, as these substances may cause damage to the paint finish and deformation of plastic parts.
2. Never attempt to pour water directly on unit as this will cause deterioration of the electrical insulation.
3. When the air inlet grill and cabinet are dirty,

wash in lukewarm water. (below 40°C (104°F):
For very dirty conditions, wash with soapy water or a neutral cleaning agent.

AIR FILTER INFORMATION

The air filter plays an important role effecting overall performance levels of any air conditioner. A clean air filter will maximize cooling efficiency. A dirty air filter will minimize cooling efficiency. It is important to keep the air filter "clean" at all times. This unit is inclusive of a program that will display a message prompt "E1" (= CLEAN AIR FILTER) in the LED display indicating when it is time to clean the air filter.

AIR FILTER REMOVAL:

The air filter is located behind the air intake front grill. To remove the air filter, grasp the filter handle located on the front of the grill and slide - it (out) to the right.

To reinstall the air filter, reverse the above procedures.

CLEANING AIR FILTER

1. Use a vacuum cleaner with soft brush attachment to remove heavy soil.
2. Wash the filter in lukewarm water. (below 40°C 104°F): If the filter is very dirty filter, wash with soapy water or a neutral cleaning agent. (NEVER WASH AIR FILTER IN DISHWASHER)
Do not use harsh cleaning chemicals to clean the filter as they may damage the plastic and filter mesh.
3. Rinse the filter with clean water and dry thoroughly before re-installing.



CAUTION



NEVER operate the air conditioner without the air filter, as dust/dirt particles can contribute to equipment failure.

End-of-Season Care

1. Operate the fan only (high speed) for half a day to dry out the internal components of the unit.
2. Turn off power and remove plug from wall socket.
3. Clean air filter and exterior cabinet.
4. Store air conditioner (covered) in a dry location.

Trouble shooting Guide

Frequently, a problem is minor and a service call may not be necessary, use this troubleshooting guide for a possible solution. If the unit continues to operate improperly, call **Danby's Toll Free Number 1-800-263-2629** for assistance, or call one of our service depots listed in the enclosed "Authorized Service Depot" listing provided with this unit.

Difficulty	Possible Cause	Suggested Solution
Air conditioner will not operate.	No power to unit.	Check connection of power cord to power source. Check fuse or circuit breaker. Set SELECTOR SWITCH to position other than "OFF".
Inefficient or no cooling.	Dirty air filter. Unit size inappropriate for application. Blocked air flow. Power interruption, settings changed too quickly, or compressor overload tripped.	Clean or replace air filter. Check with dealer to determine proper unit capacity for application. Remove obstruction from grill or outdoor louvers. Turn the unit off and wait 5 minutes before attempting to re-start.
Noisy unit.	Loose parts. Inadequate support.	Tighten loose parts. Provide additional support to unit.
Odors.	Formation of mold, mildew, or algae on wet surfaces.	Clean unit thoroughly. Place algacide tablet in base pan.
Water dripping outside.	Condensation run-off is normal during hot and humid weather.	Add flexible tubing to redirect water flow, see Fig.25
Water dripping inside.	Unit is not properly angled to allow water to drain outside.	Unit must be installed on an angle for proper condensation run-off. Check the unit and make any adjustments.
Ice or frost build-up.	Low outside temperature. Unit air filter is dirty.	When outdoor temperature is approximately 65°F or below, frost may form when unit is in cooling mode. Switch unit to FAN (only) operation until frost melts. Remove and clean filter.

- NOTES:**
1. If circuit breaker is tripped repeatedly, or fuse is blown more than once, contact a qualified technician.
 2. When unit is installed using proper installation steps, unit is properly tipped towards the outdoors to allow for condensation run-off.



LIMITED AIR CONDITIONER WARRANTY

This quality product is warranted to be free from manufacturer's defects in material and workmanship, provided that the unit is used under the normal operating conditions intended by the manufacturer.

This warranty is available only to the person to whom the unit was originally sold by Danby or by an authorized distributor of Danby, and is non-transferable.

TERMS OF WARRANTY

Plastic parts, are warranted for thirty (30) days only from purchase date, with no extensions provided.

First 12 Months During the first twelve (12) months, any electrical parts of this product found to be defective, including any sealed system units, will be repaired or replaced, at warrantor's option, at no charge to the ORIGINAL purchaser.

To obtain Service Danby reserves the right to limit the boundaries of "In Home Service" to the proximity of an Authorized Service Depot. Any appliance requiring service outside the limited boundaries of "In Home Service", it will be the consumer's responsibility to transport the appliance (at their own expense) to the original retailer (point of purchase) or a service depot for repair. Contact your dealer from whom your unit was purchased, or contact your nearest authorized Danby service depot, where service must be performed by a qualified service technician. If service is performed on the units by anyone other than an authorized service depot, or the unit is used for commercial application, all obligations of Danby under this warranty shall be at an end.

EXCLUSIONS

Save as herein provided, Danby Products Limited (Canada) or Danby Products Inc. (U.S.A.), there are no other warranties, conditions, representations or guarantees, express or implied, made or intended by Danby Products Limited or its authorized distributors and all other warranties, conditions, representations or guarantees, including any warranties, conditions, representations or guarantees under any Sale of Goods Act or like legislation or statute is hereby expressly excluded. Save as herein provided, Danby Products Limited (Canada) or Danby Products Inc. (U.S.A.), shall not be responsible for any damages to persons or property, including the unit itself, howsoever caused or any consequential damages arising from the malfunction of the unit and by the purchase of the unit, the purchaser does hereby agree to indemnify and save harmless Danby Products Limited from any claim for damages to persons or property caused by the unit.

GENERAL PROVISIONS

No warranty or insurance herein contained or set out shall apply when damage or repair is caused by any of the following:

- 1) Power Failure.
- 2) Damage in transit or when moving the appliance.
- 3) Improper power supply such as low voltage, defective house wiring or inadequate fuses.
- 4) Accident, alteration, abuse or misuse of the appliance such as inadequate air circulation in the room or abnormal operating conditions, (extremely high or low room temperature).
- 5) Use for commercial or industrial purposes.
- 6) Fire, water damage, theft, war, riot, hostility, acts of God such as hurricanes, floods etc.
- 7) Service calls resulting in customer education.

Proof of purchase date will be required for warranty claims; so, please retain bills of sale. In the event warranty service is required, present this document to our AUTHORIZED SERVICE DEPOT.

Warranty Service
Carry-in

Danby Products Limited
PO Box 1778, 5070 Whitelaw RD, Guelph, Ontario, Canada N1H 6Z9
Telephone: (519) 837-0920 FAX: (519) 837-0449

Danby Products Inc.
PO Box 669, Findlay, Ohio, U.S.A. 45839-0669
Telephone: (419) 425-8627 FAX: (419) 425-8629

06/06

Danby®

Model • Modèle

DAC5277EE

For service, contact your nearest
service depot or call:

1-800-263-2629

Pour obtenir le service, consultez
votre succursale régionale de
service ou téléphonez:

1-800-263-2629

Room Air Conditioner

The model number of your room air conditioner is found on the serial plate located on the right side of the unit above the power cord.

All repair parts are available for purchase or special order when you visit your nearest service depot. To request service and/or the location of the service depot nearest you, call the TOLL FREE NUMBER: **1-800-263-2629**

When requesting service or ordering parts, always provide the following information:

- Product Type
- Model Number
- Part Number
- Part Description

Climatiseur de pièce

Le numéro de modèle de votre climatiseur se trouve sur la plaque d'information qui se trouve sur le coté droit de l'appareil par dessus le cordon d'alimentation.

Toutes les pièces de rechange ou commandes spéciales sont disponibles de votre centre régional de service autorisé. Pour exiger le service et-ou le nom de votre centre de service régional, signalez le NUMÉRO SANS FRAIS: **1-800-263-2629**

Ayez les renseignements suivants à la portée de la main lors de la commande de pièce ou service:

- Genre de produit
- Numéro de modèle
- Numéro de pièce
- Description de la pièce

Free Manuals Download Website

<http://myh66.com>

<http://usermanuals.us>

<http://www.somanuals.com>

<http://www.4manuals.cc>

<http://www.manual-lib.com>

<http://www.404manual.com>

<http://www.luxmanual.com>

<http://aubethermostatmanual.com>

Golf course search by state

<http://golfingnear.com>

Email search by domain

<http://emailbydomain.com>

Auto manuals search

<http://auto.somanuals.com>

TV manuals search

<http://tv.somanuals.com>