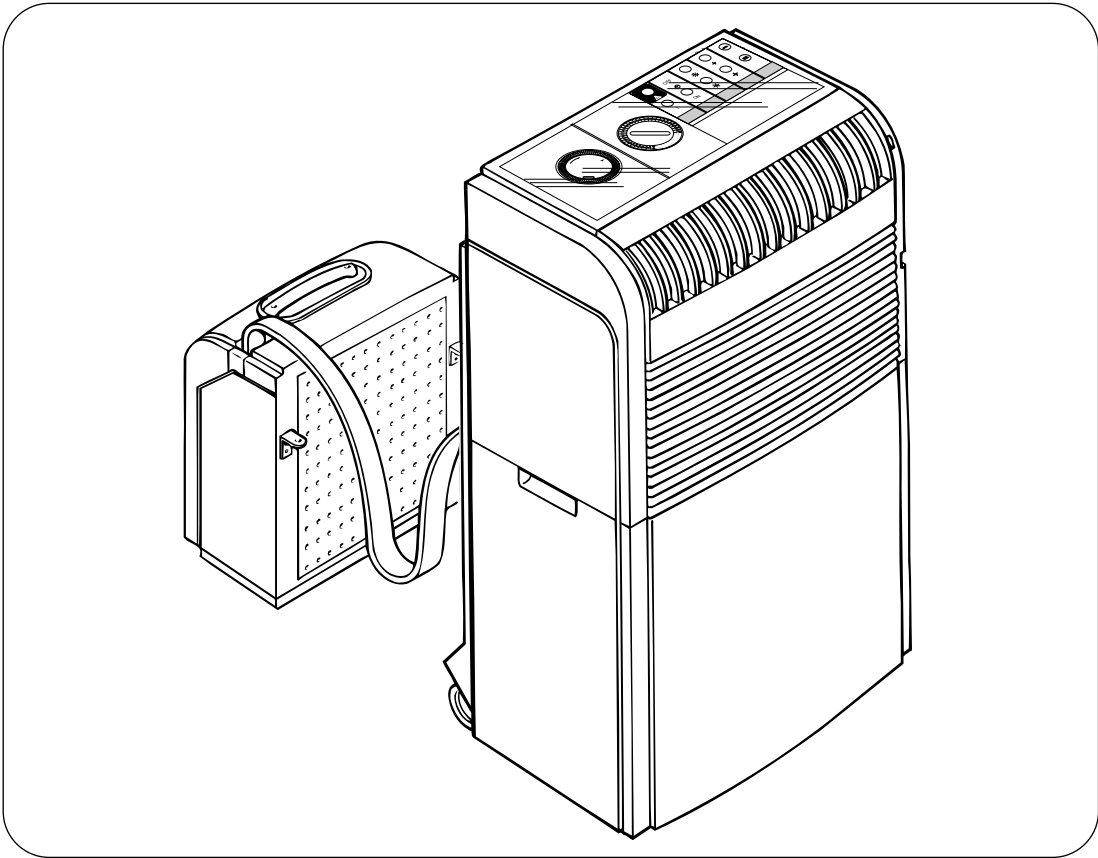




AIR CONDITIONER PAC GSR/MU



IMPORTANT: NOTE MAINTENANCE NEEDS ON PAGE 12

IMPORTANT INFORMATION

When using electrical appliances, basic safety precautions should always be followed, including the following:

- Read all instructions.
- To protect against fire, electrical shock and personal injury, do not immerse cord, plug or appliance in water or other liquid.
- Close supervision is necessary when any appliance is used by or near children.
- Do not operate with a damaged cord or plug, or after the appliance malfunctions, or has been damaged in any manner. Return the appliance to the nearest authorized service facility for examination, repair or adjustment.
- The use of accessory attachments or spare parts not recommended by the appliance manufacturer may result in fire, electrical shock or personal injury.
- Do not use outdoors.
- Do not use the appliance for other than the intended use.
- Do not place any strain on the power cord. Avoid twisting and/or tangling.
- Ensure that outlet vent of exhaust hose is kept debris-clear and obstruction free.
- Ensure that ventilation holes on the rear of the machine and front louvers are not blocked.
- The Pinguino should not be installed where the atmosphere could contain combustible gases.
- Avoid using Pinguino in oily or sulphurous atmospheres or near sources of heat.
- Before moving the air-conditioner, empty water from collection tray.
- Do not place hot or heavy objects on the appliance.
- Clean air filter every week (see instructions at page 13).
- Unplug from outlet when not in use and before cleaning.
- To disconnect, turn any controll to "OFF" then remove plug from wall outlet.
- **Important:** If you need to use an extension cord, please be sure to use a **heavy duty** extension cord (minimum 14 gauge).

SAVE THESE INSTRUCTIONS

Dear user,

We thank you for purchasing the Pinguino air-conditioner and congratulate you on your wise choice.

For optimal results please read this manual carefully before installing or operating.

We know that the Pinguino will maintain your environment pleasingly comfortable at all times.

With best wishes

De Longhi S.p.A.

If you have any questions about the operation or service of your Pinguino, please call our toll-free service number 1-800-322-3848.

*or visit our internet site **www.delonghiusa.com***

*for general overlook of De'Longhi group visit **www.delonghi.com***

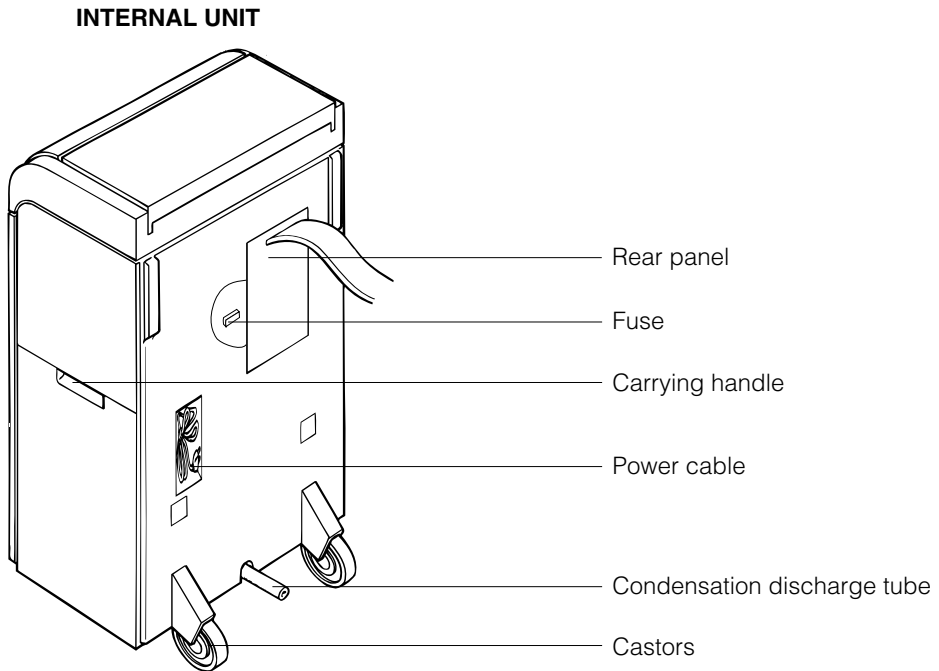
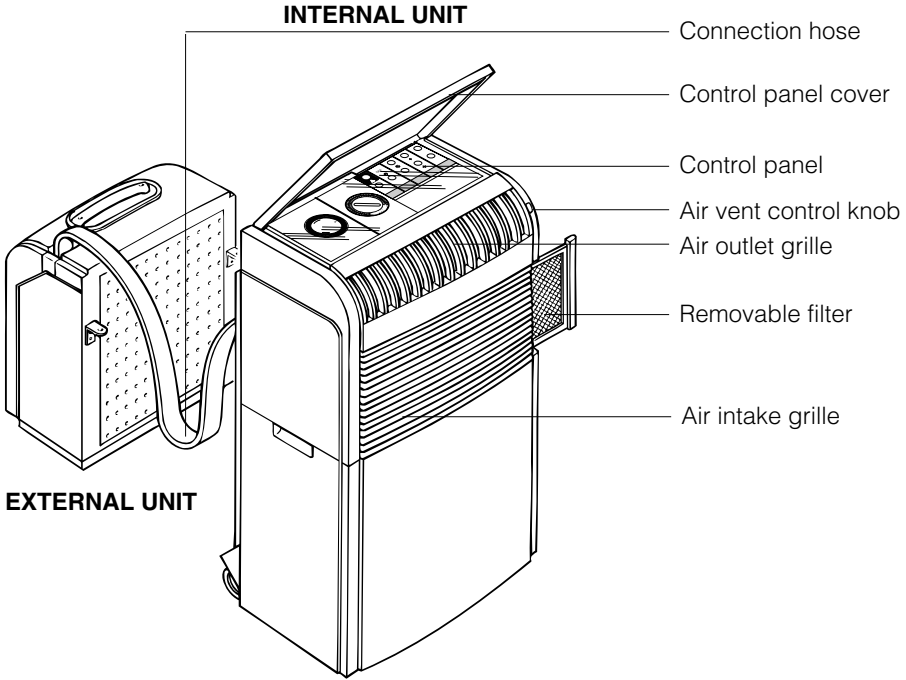
SPECIFICATIONS

Power supply voltage	V	110-120
Frequency	Hz	60
Cooling capacity:		see rating label
Current consumption		see rating label
Air flow capacity		520 m ³ /h
Dehumidification capacity*		1,8l/h
Length of hose	feet/m	11/3.3
Dimensions (internal unit):		
width	in.(mm)	18.03 (458)
height	in.(mm)	33.46 (850)
depth	in.(mm)	15.74 (400)
weight	lb./kg	44 (97)
Dimensions (external unit):		
width	in.(mm)	17.71 (450)
height	in.(mm)	18.50 (470)
depth	in.(mm)	8.26 (210)
weight	lb./kg	30.87 (14)
*Average figures which may vary according to the ambient humidity and the temperature.		

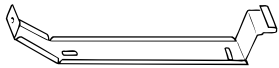
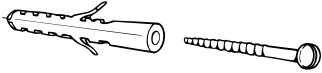
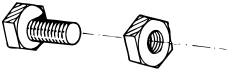

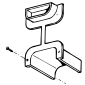
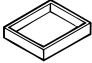
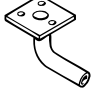
OPTIMUM OPERATING RANGE

OUTSIDE TEMPERATURE	69.8 - 95°F (21 - 35°C)
INSIDE TEMPERATURE	69.8 - 109°F (21 - 43°C)

ILLUSTRATED MAIN FEATURES LIST



ILLUSTRATED ACCESSORY LIST

	DESCRIPTION	SUPPLIED
	Wall bracket	2
	Screws + wall plugs (ø 6mm)	4
	Nut and bolt (ø 5mm)	4
	Support belt with hook	2
	Frame with connector hose	1
	Castor stop	2
	Condensation drainage coupling	1

INSTALLATION

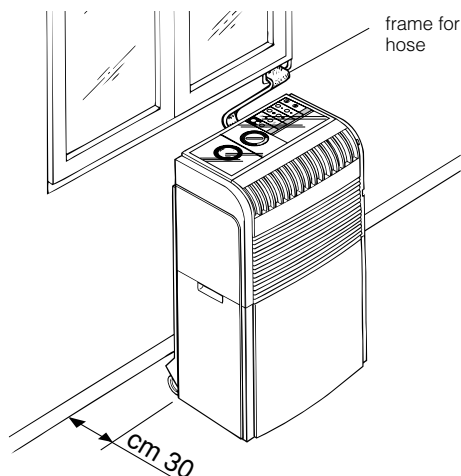
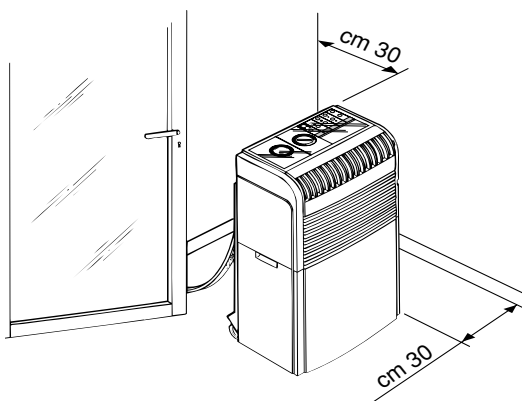
Models without special couplings

The hose which connects the internal unit to the external unit can be positioned in two ways:

a) Through a slightly-open window or door.

The appliance must be fitted at least 30 cm. from the surrounding walls.

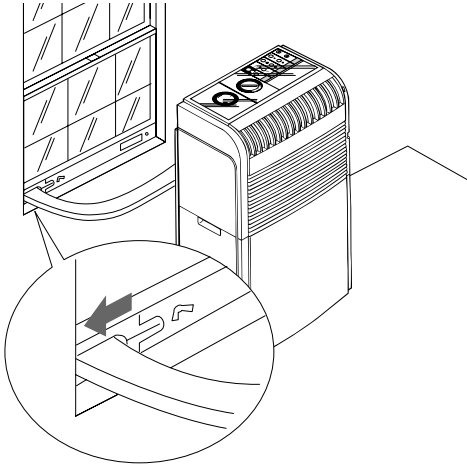
b) Through a small hole (5.5 x 2.5 cm.) in the lower part of the door or window frame. In this case, it is necessary to use the special frame for the connection hose.



ADJUSTABLE WINDOW BRACKET

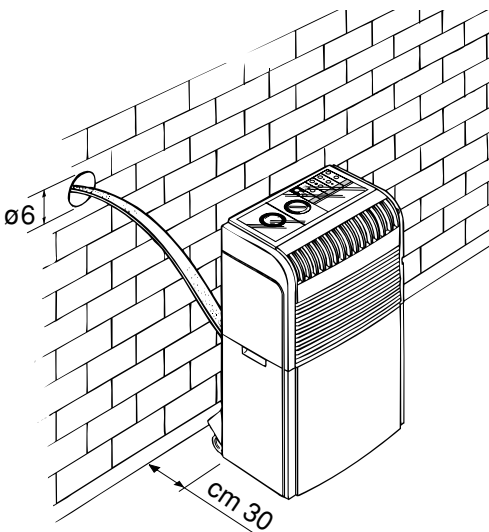
Pinguino is equipped with an adjustable window bracket. If you have a sash window, position the external unit outside the window, place the bracket on the window sill, extend the bracket fully within the window frame, making the hose passing through the slot and lower the window onto the bracket.

Thanks to the wing nut, it's possible to use the window bracket also for sliding windows.



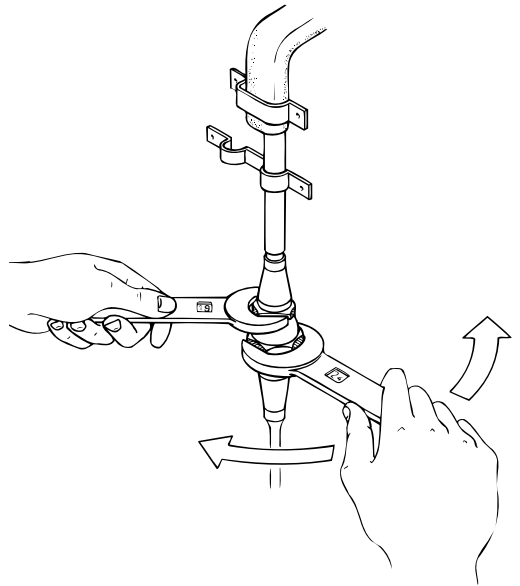
MODELS WITH SPECIAL COUPLINGS

If your air-conditioner is fitted with the special rapid-fit coupling, the hose which connects the internal unit to the external unit can also be passed through a round hole in an external wall (diameter: 6 cm. approx.).

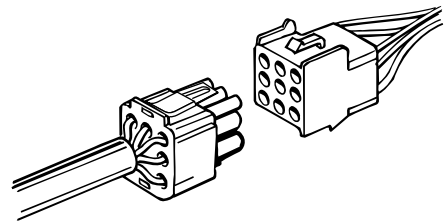


In this case, it is necessary to disconnect the internal unit as follows:

- 1) Remove the plug from the wall socket.
- 2) Remove the rear panel (on the back of the appliance) by unscrewing the two retaining screws.
- 3) Remove the metal brackets which fasten the hose to the appliance.
- 4) Using a 24mm spanner, unscrew the union on the coupling. When doing this, use a 19mm. spanner to block the extremity of the hose in position. Repeat this operation for the second union.



- 5) Detach the condensation hose from its coupling.
- 6) Disconnect the electrical connector socket by pressing the two retainer tabs.



The path of the connector hose should be as straight as possible, without sharp curves or kinks.

To re-connect the ends of the connector hose to the internal unit, repeat steps 1 to 6 in reverse order. The following precautions should be observed:

- Before passing the connector hose through the hole in the wall, the threaded ends of the rapid couplings should be protected using insulating tape or similar.
- Fit the two upper refrigerant couplings to the two lower couplings and tighten by hand, ensuring that they are correctly connected. Then use the spanner to tighten fully.
- After connecting the two refrigerant couplings, fasten the brackets.
- Check that the refrigerant couplings are sealed perfectly by wetting the couplings with a little soapy water. No soap bubbles should form.

Attention

Connection and disconnection of the refrigerant couplings should be carried out by qualified personnel.

INTERNAL UNIT

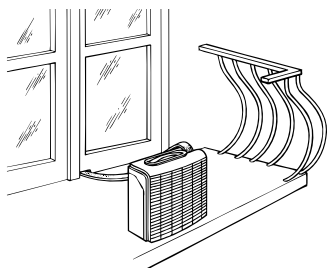
The internal unit should be installed in the room to be conditioned. Generally, the ideal position for the internal unit is under a window. In any case, it should be positioned near an external wall.

The internal unit must be perfectly leveled. If necessary, use the castor stops supplied with the machine.

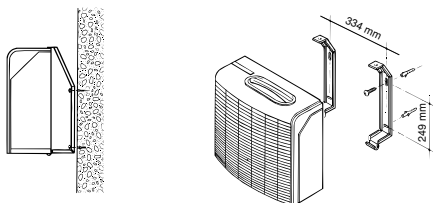
The air intake and outlet grilles should not be obstructed in any way.

EXTERNAL UNIT

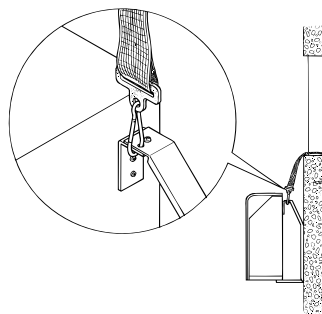
The external unit can be positioned on a terrace or balcony. In this case, it is not



necessary to use the fixing brackets. The external unit can also be mounted on a wall.



In this case, use the special wall-mount brackets. Alternatively, for temporary installation, the external unit can be hung as shown in the figure. In this case, use the special support belts (supplied with the appliance).



The external unit can be installed above or at the same level as the internal unit, provided that the difference in height between the two units does not exceed 1.5 m.

The intake and outlet vents must not be obstructed.

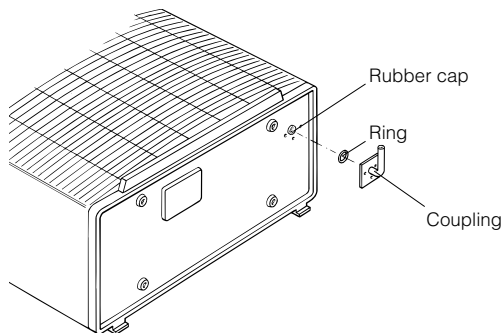
Leave a space of at least 6 cm. between the rear of the unit and the wall.

CONDENSATION DRAINAGE

The condensation which forms when the unit is used for air-conditioning (i.e. in summer) evaporates from the external unit.

If the humidity is particularly high, it may be necessary to fit the condensation discharge tube (supplied with the machine). In this case, fit the hose to the coupling on the bottom section of the external unit (remove the rubber cap from the coupling).

When specific applications require it, the condensation drainage can be done directly from the discharge pipe on the back of the unit. Should this happen, water will be collected into a tank and automatically removed through a pump system. Such a pump has to be installed separately and is available at any air conditioning contractors in your area.



ELECTRICAL CONNECTIONS

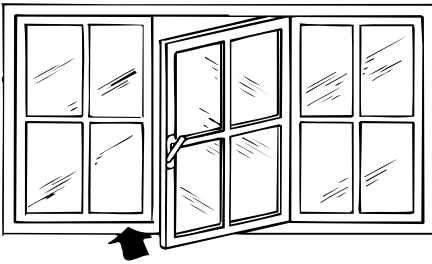
Before plugging the unit into the power supply, check the following:

- the power supply voltage must be the same as the voltage shown on the rating plate
- the power socket and the voltage circuit must be suitable for the power requirements of the unit
- the socket must be suitable for the plug; if not, have the socket replaced.

FINAL CHECK

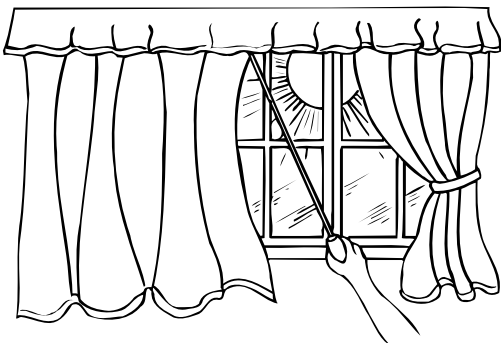
In order to ensure that your air-conditioner operates with the maximum efficiency, make sure that:

- all doors and windows in the room to be air-conditioned are closed (except for temporary installation, in which case a window must be left partially open).



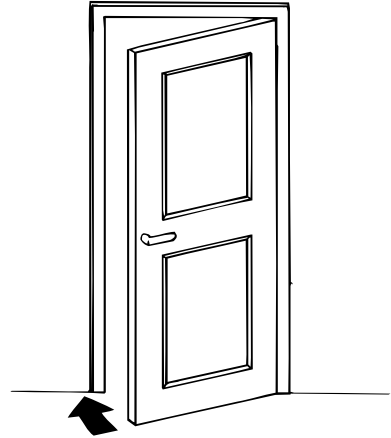
Close the windows

- Draw the curtains and/or partially close the blinds to protect the room against direct sunlight. This will increase the efficiency and economy of the air-conditioner.

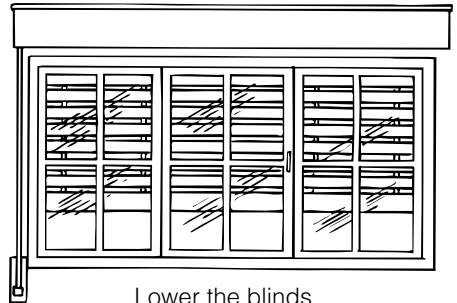


Draw the curtains

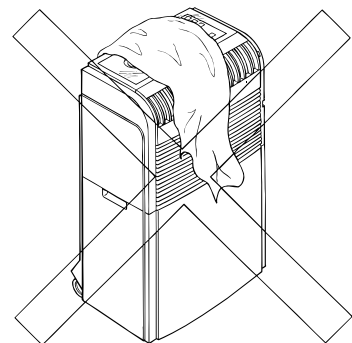
- Do not place objects of any kind on the air-conditioner.
- Ensure that the air intake and discharge vents are not obstructed.
- Make sure that there are no sources of heat in the room.



Close the door



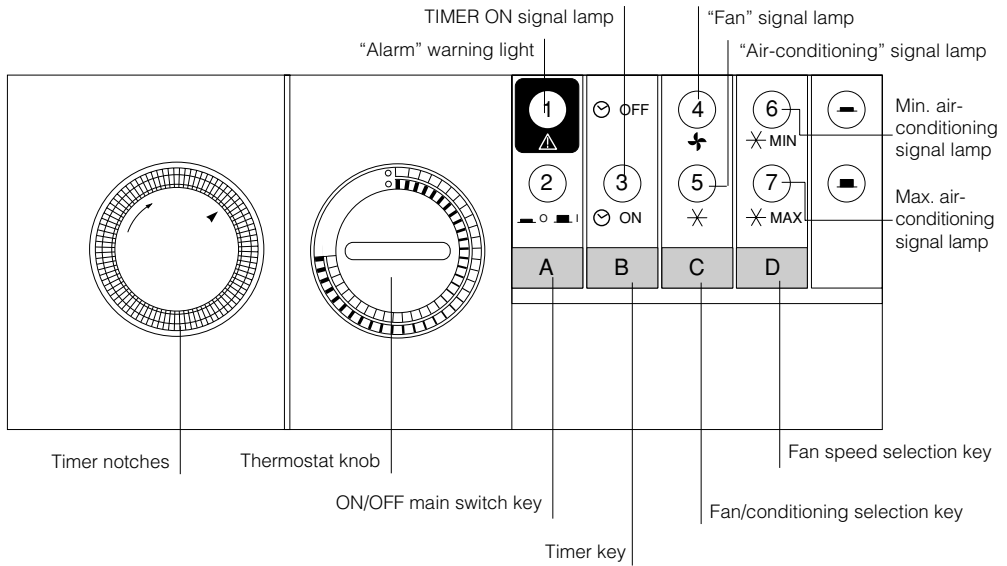
Lower the blinds



Do not cover

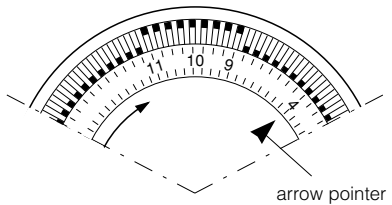
YOUR AIR-CONDITIONER IS NOW READY FOR USE

CONTROL PANEL



SETTING THE TIMER

The programmer/timer, like all clocks, must be set to the exact time. If for example it is 4:00 p.m., turn the dial in a clockwise direction (following the direction of the arrow) until the number 4 (4 p.m.) is lined up with the arrow pointer (the arrows indicates 4:00 p.m. approximately).



N.B.: Never turn the dial in an anti-clockwise direction!

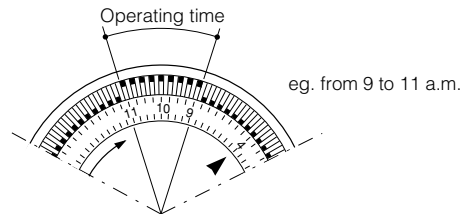
The timer is in effect, an electric clock and works only if the plug is connected to the power supply. Whenever the plug is disconnected or there is a power failure, the programmer stops (the clock is then "slow") and must be re-set.

The unit can be used in either **programmed** or

non-programmed mode.

PROGRAMMED MODE

- 1) Release timer button B
- 2) Set the operating times by pushing out the notches on the dial corresponding to the period required (each notch represents 15 mins.).
- 3) Check that the timer indicates the correct time (see instructions on setting).



- 4) Select the desired function as shown in the chart overleaf.

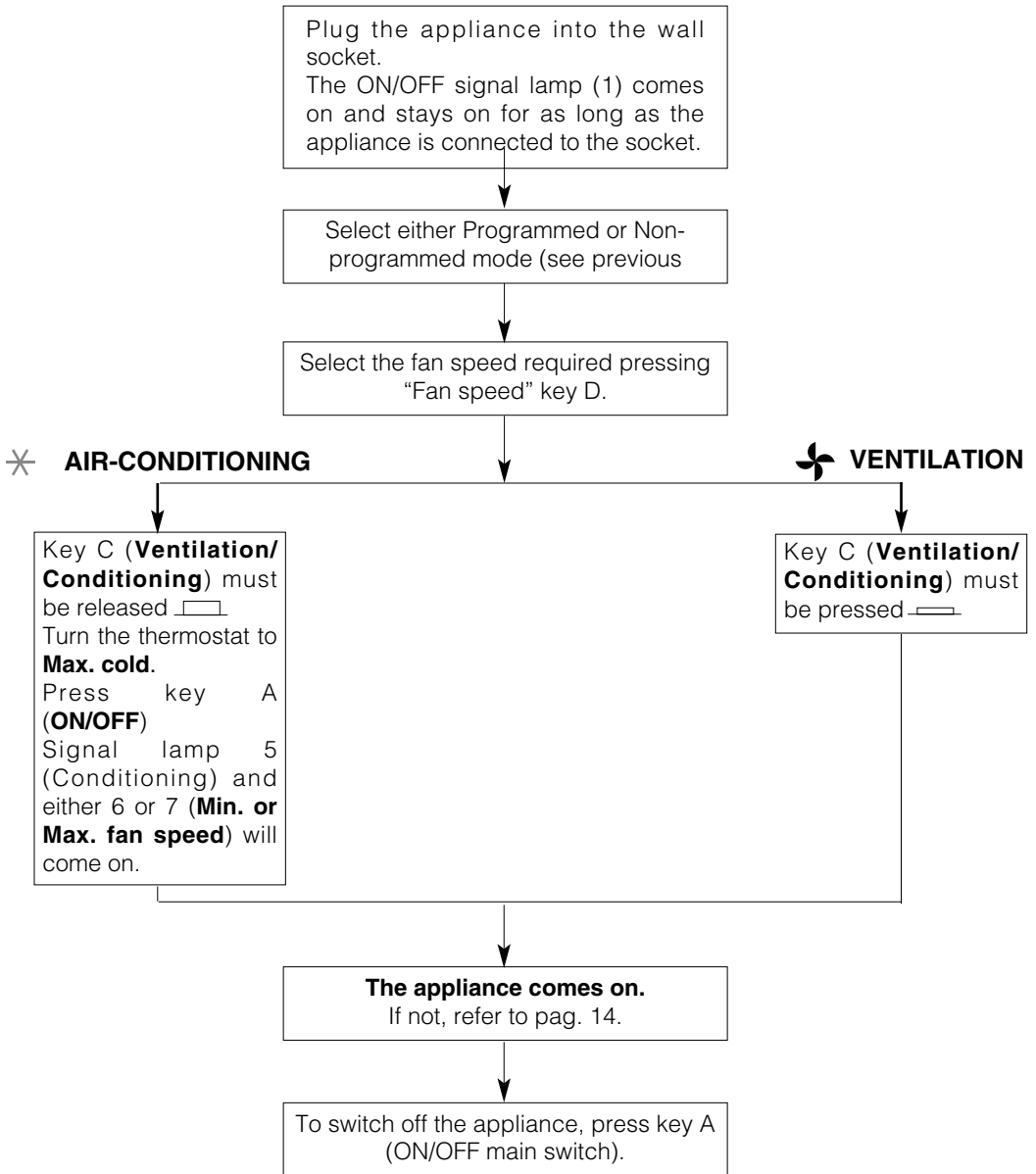
The unit will now switch on and off each day at the selected times.

N.B.: To override the programmed operating times, simply press the ON/OFF timer key.

NON-PROGRAMMED MODE

- 1) B TIMER button must be pressed
- 2) Select the desired function as shown in the chart on the following page.

HOW TO START UP THE CONDITIONER



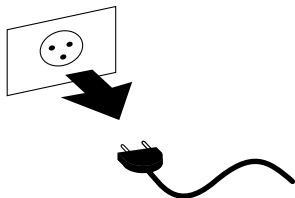
N.B: the "TIMER ON" signal lamp will only come on with "Programmed" mode.

N.B: For technical reasons, the temperature is not shown in degrees, but is represented by two lines which vary in thickness according to the temperature. It is advisable to begin by turning the thermostat to the maximum setting (thick green line = maximum cooling). When the room temperature is comfortable, turn the thermostat slowly away from the maximum heating or cooling position until the air-conditioner switches off. Leave the thermostat in this position. The air-conditioner is now programmed to maintain the exact temperature at all Times.

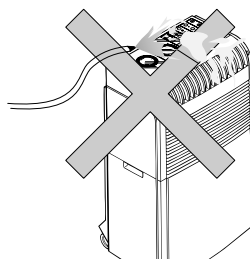
This appliance is fitted with a special safety circuit. When the compressor switches off, this circuit prevents it from switching on again for at least 3 minutes.

MAINTENANCE

PRECAUTIONS

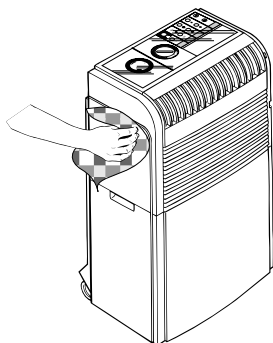


During cleaning and normal maintenance operations remember to disconnect plug.



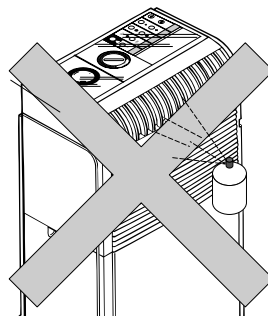
Under no circumstances should appliance be washed with running water. Damage could be caused to the electrical circuit.

CLEANING OF EXTERNAL HOUSING



Clean with a damp cloth and dry thoroughly with a clean dry cloth.

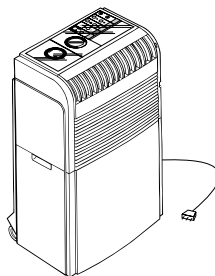
Never use petrol, gas, alcohol or solvents for cleaning. Never spray insecticides or similar products on the appliance, as these may seriously damage the paintwork and plastic.



CONTROLS AT THE BEGINNING OF THE SEASON



Carefully follow installation procedure.

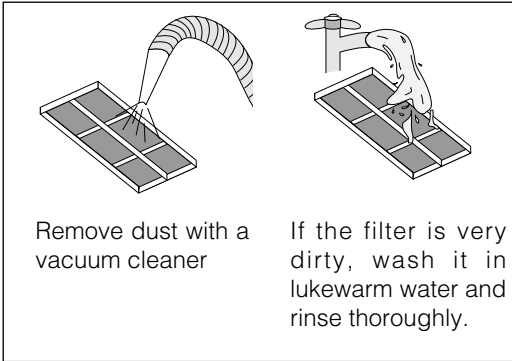


Check for any defects in power cord and plug.

AIR FILTER CLEANING

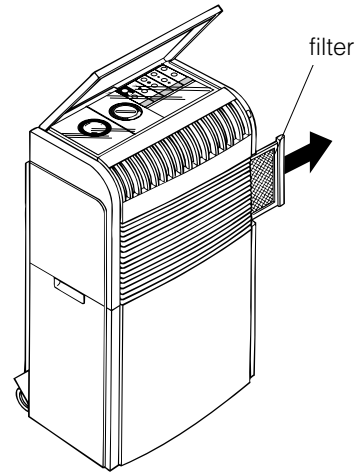
Maintenance of air filter

A clogged air filter reduces the quantity of circulating air and the efficiency of the appliance. It is therefore recommended to clean the filter at weekly intervals.



Removal and replacement of air filter

Gently pull filter upwards (as shown in figure). Push to replace.



Cleaning procedure

To remove dust deposited on filter, use a vacuum cleaner. If it is very dirty, soak in lukewarm water and rinse thoroughly. The temperature of the water must be kept below 40°C (104F). After washing, leave filter to dry before replacing.

END OF SEASON OPERATIONS

- 1) Disconnect the ON/OFF switch, removing the plug from the power socket.
- 2) Remove the plug from the drainage tube and empty the water from the internal condensation tray.
- 3) Clean the filter and dry it carefully before replacing.
- 4) Cover the appliance with a plastic bag to protect it from dust.

TROUBLESHOOTING

Most malfunctions are caused by a very minor and easily solved problem. Before contacting your nearest authorized Service Center for assistance, consult the troubleshooting chart below.

SYMPTOMS	CAUSE	SOLUTION
The Pinguino does not function:	<ul style="list-style-type: none">- power failure- the appliance is not plugged in- the notches on TIMER dial have not been set- switch is off- the alarm warning light is on: the safety float has been enabled because the collecting tray inside the unit is too full	<ul style="list-style-type: none">- wait- connect plug- either push notches out or disable timer- turn main switch on- drain water using the drainage tube supplied, see page 5. If problem persist, contact Service Center
The air-conditioner functions for a brief period only	<ul style="list-style-type: none">- thermostat has been activated- exhaust hose to outside blocked- fan blocked	<ul style="list-style-type: none">- turn knob anti-clockwise- remove obstacle- contact Service Center
The appliance switches on and off constantly		<ul style="list-style-type: none">- switch off and contact Service Center
The air-conditioner functions but the room is not cooled	<ul style="list-style-type: none">- window open- source of heat in room (heater, lamp, etc.) or room is overcrowded- thermostat regulated too high- air filter clogged- the capacity of the conditioner is not adequate for the size of the room	<ul style="list-style-type: none">- close window- remove heat source- lower thermostat setting- clean filter

FOR UNITED STATES ONLY:



DeLonghi

LIMITED WARRANTY

We warrant each DE'LONGHI AIR-CONDITIONER to be free from defects in material and workmanship. Our obligation under this warranty is to provide one year parts and labor free from purchase date, with an additional four (4) years on any part of the sealed system consisting of the compressor, evaporator, condenser and factory connected refrigerant tubing. This warranty shall apply only if the AIR-CONDITIONER is used in accordance with the factory directions which accompany it, and on Alternating Current (AC) circuit. This warranty is in lieu of all other warranties and representations, expressed or implied, and all other obligations or liabilities on our part. We do not authorize any other person or company to assume for us any liability in connection with the sale or use of our AIR-CONDITIONER. This warranty shall not apply to assume for us any liability in connection with the sale or use of our AIR-CONDITIONER. This warranty shall not apply to any AIR-CONDITIONER which shall have been repaired or altered outside our factory nor shall it apply to any AIR-CONDITIONER which has been subjected to misuse, negligence or accidents.

If repairs become necessary or spare parts are needed, please write to:

SERVICE
PH. N° 1-800-322-3848

DE'LONGHI AMERICA INC.
Park 80 West Plaza One, 4th floor



DeLonghi

GARANTIE

Nous garantissons que tous les appareils électriques DE'LONGHI sont exempts de tout défaut de matériaux et de manufacture. Notre obligation sous cette garantie est limitée au remplacement ou à la réparation, gratuit en notre usine, de toutes les pièces défectueuses autres que les pièces endommagées durant le transport, qui nous seront retournées - transport payé d'avance - endéans un an après la livraison à l'acheteur-utilisateur. Cette garantie ne sera applicable que si l'appareil a été utilisé selon les instructions du fabricant qui accompagnent l'appareil, et sur courant alternatif (AC). Cette garantie remplace toutes autres garanties et représentations, exprimées ou implicites, et toutes autres obligations ou responsabilités de notre part. Nous n'autorisons aucune autre personne ou compagnie à assumer pour nous une quelconque responsabilité en relation avec la vente ou l'utilisation de nos appareils. Cette garantie ne s'appliquera ni aux appareils qui seront réparés ou endommagés hors de notre usine, ni aux appareils qui auront été sujets à une mauvaise utilisation, à une négligence ou à un accident.

Si des réparations ou des pièces de rechange sont nécessaires, vous êtes priés d'écrire à:

SERVICE
PH. N° 1-800-322-3848

DE'LONGHI AMERICA INC.
Park 80 West Plaza One, 4th floor
SADDLE BROOK NJ 07663

Free Manuals Download Website

<http://myh66.com>

<http://usermanuals.us>

<http://www.somanuals.com>

<http://www.4manuals.cc>

<http://www.manual-lib.com>

<http://www.404manual.com>

<http://www.luxmanual.com>

<http://aubethermostatmanual.com>

Golf course search by state

<http://golfingnear.com>

Email search by domain

<http://emailbydomain.com>

Auto manuals search

<http://auto.somanuals.com>

TV manuals search

<http://tv.somanuals.com>