

**Instruction Manual**  
**7-Quart Stand Mixer**  
**5-Quart Stand Mixer**



**Mode D'emploi**  
**Batteur sur socle de 6,62 litres**  
**Batteur sur socle de 4,73 litres**



Read and Save These Instructions

Lisez et Conservez Ces Instructions

**DSM800 and DSM700 Series**  
**DSM800 et DSM700 Sériés**

# IMPORTANT SAFEGUARDS

When using electrical appliances, basic safety precautions should always be followed to reduce the risk of fire, electrical shock and/or personal injury.

- 1) Read all instructions.
- 2) Close supervision is necessary when any appliance is used by or near children.
- 3) To protect against fire, electric shock and/or personal injury, do not place cord, plugs, or appliance in water or any other liquid.
- 4) Turn the unit off and unplug it from the outlet when not in use, before cleaning and before installing or removing attachments.
- 5) Do not operate any appliance with a damaged cord or plug or after the appliance malfunctions, or has been damaged in any manner. Return appliance to an authorized DeLonghi service center for examination, repair or adjustment.
- 6) To disconnect, remove plug from wall outlet. Always hold the plug, but never pull the cord.
- 7) Do not use outdoors.
- 8) Do not let cord hang over edge of table or counter, or touch hot surfaces.
- 9) Do not use appliance for other than intended use.
- 10) Keep fingers away from moving parts and fitted attachments.
- 11) Do not leave machine unattended.
- 12) Do not use unauthorized attachments.
- 13) Do not exceed the maximum capacity. (See "Overload Protection Device")
- 14) When using an attachment, be sure to read the safety instructions.
- 15) For household use only

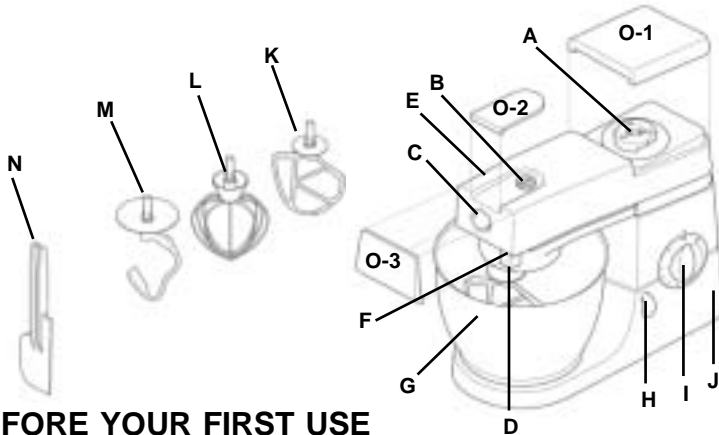
## SAVE THESE INSTRUCTIONS

### SHORT CORD INSTRUCTIONS

A short power cord is provided to reduce the risk resulting from entanglement or tripping over a longer cord. Longer detachable power supply cords are available and may be used if care is exercised in their use. If a longer detachable power cord or extension cord is used (1) the marked electrical rating of the extension cord should be at least as great as the electrical rating of the appliance, and (2) the longer cord should be arranged so that it will not drape over the countertop or table top where it can be pulled on by children or tripped over unintentionally. The electrical rating of the appliance is listed on the bottom of the unit. If the appliance is of the grounded type, the extension cord should be a grounded type 3 wire cord. This appliance has a polarized plug. One blade is wider than the other. As a safety feature this plug will fit in a polarized outlet only one way. If the plug does not fit, contact a qualified electrician. Do not attempt to defeat this safety feature.

## KNOW YOUR STAND MIXER

- |                         |   |                            |
|-------------------------|---|----------------------------|
| A) High-Speed Outlet    | F) Outlet Catch                         | K) Non-Stick Flat Beater   |
| B) Citrus Juicer Outlet | G) Stainless Steel Bowl                 | L) Stainless Steel Whisk   |
| C) Low-Speed Outlet     | H) Head-Lift Lever                      | M) Non-Stick Dough Hook    |
| D) Attachment Outlet    | I) On/Off, Pulse and Speed Control Dial | N) Spatula                 |
| E) Mixer Head           | J) Body                                 | O) Outlet Covers (1, 2, 3) |



## BEFORE YOUR FIRST USE

Carefully unpack your stand mixer and remove all packaging material. Remove any labels or stickers from the stand mixer. To remove any dust that may have accumulated during packaging, wash the stand mixer and its included attachments thoroughly before using for the first time. (See "Cleaning Your Stand Mixer and Parts") section of this manual). *Note:* You may find a small amount of grease on the outlets. This is normal and it will not affect the performance of your machine. Just wipe the grease off with a paper towel.

## OVERLOAD PROTECTION DEVICE

Your stand mixer is equipped with an Overload Protection Device that will automatically terminate operation if overloaded. If the Overload Protection Device is activated, turn the On/Off, Pulse and Speed Control Dial to the "O" position and then unplug the stand mixer. Remove some of the ingredients to reduce the load, then allow the unit to stand for a few minutes. Plug the unit back in, select a speed with the On/Off, Pulse and Speed Control Dial, and the stand mixer should resume operation. If the unit does not start immediately, allow it to stand for a longer period of time. If the stand mixer fails to restart after 20 minutes please refer to the LIMITED WARRANTY section of your instruction manual to obtain servicing information.

## STAND MIXER INCLUDED ATTACHMENTS

### SUGGESTIONS FOR USES

- **Non-Stick Flat Beater:** For making cakes, biscuits, pastry, icing, fillings and mashed potatoes.
- **Stainless Steel Whisk:** For eggs, cream batters, meringues, cheesecakes, mousses and souffles. To avoid damaging the machine, do not use the whisk for heavy mixtures.
- **Non-Stick Dough Hook:** For yeast mixtures.

## OPERATING YOUR STAND MIXER

- 1) Turn the head-lift lever counterclockwise and the mixer head (E) will pop up. Raise the mixer head until it locks into place. *See Figure 1.*
- 2) To insert an attachment, place it in the Attachment Outlet (D) and push in until it locks into place. *See Figure 2.*
- 3) Place the stainless steel bowl (G) on the base and align the two grooves on the base of the bowl with two the notches on the base of the stand mixer. Once in position, turn the bowl clockwise until it locks into place. *See Figure 3.*
- 4) Turn the head-lift lever counterclockwise to unlock the mixer head. Once unlocked, lower the mixer head until it locks into position. If the mixer head fails to lock into place, check the bowl to make sure that it is properly positioned.

FIGURE 1



FIGURE 2



FIGURE 3



## OPERATING YOUR STAND MIXER (continued)

- 5) Plug the unit into a 120V/60Hz AC only outlet.
- 6) To turn the stand mixer ON, turn the On/Off, Pulse and Speed Control Dial (I) clockwise, then adjust the speed accordingly by continuing to turn the control clockwise. Turn the On/Off, Pulse and Speed Control Dial counterclockwise to pulse for short bursts (pulse is indicated by the letter "P").  
*See Figure 4.*
- 7) When finished mixing, turn the On/Off, Pulse and Speed Control Dial to the "O" position for OFF.
- 8) To remove an attachment, repeat step 1 and remove the attachment by turning it counterclockwise.
- 9) Scrap the bowl with the spatula (N) provided to remove contents.

FIGURE 4



## FOOD TIPS

### GENERAL:

- 1) Eggs that are at room temperature are best for whisking.
- 2) Before using the whisk for egg whites, make sure there is no grease or egg yolk on the whisk or bowl.
- 3) Use cold ingredients for pastries unless your recipe indicates otherwise.

### BREADMAKING:

- 1) **IMPORTANT:** Never exceed the maximum capacities listed below.
- 2) If you hear the machine laboring, switch the unit OFF and remove half the dough and do each separately.
- 3) The ingredients mix best if you add the liquid first.

## MAXIMUM CAPACITIES

### DSM800 Series

Food Type	Weight Type	Amount
Pastry Dough	Flour Weight	2 lbs.
Yeast Dough	Flour Weight	3 lbs. 5 oz.
Cake Mix	Total Weight	10 lbs.
Eggs		16

### DSM700 Series

Food Type	Weight Type	Amount
Pastry Dough	Flour Weight	1 lb. 8 oz.
Yeast Dough	Flour Weight	3 lbs.
Cake Mix	Total Weight	6 lbs.
Eggs		12

## SPEED SUGGESTIONS FOR ATTACHMENTS

### NON-STICK FLAT BEATER:

- 1) *Creaming fat and sugar*: Start on MIN and gradually increase to 5.
- 2) *Beating eggs into creamed mixture*: 4 to MAX
- 3) *Adding flour or fruit*: Min to 1
- 4) *Cake Mix*: Start on MIN speed and gradually increase to MAX.
- 5) *Mixing fat into flour*: MIN to 2.

### STAINLESS STEEL WHISK:

- 1) Gradually increase to MAX.

### NON-STICK DOUGH HOOK:

- 1) Start on MIN and gradually increase to 1.

## USING YOUR SPLASH GUARD

- 1) Follow direction 1 under the "Operating Your Stand Mixer" section of the manual.
- 2) Fit the Splash Guard onto the Attachment Outlet (D) by firmly pushing up. The hinged section should be positioned as shown in Figure 1.
- 3) Insert required attachment tool and follow direction 2 under the "Operating Your Stand Mixer" section of the manual.
- 4) During mixing, ingredients can be added directly to the bowl by simply lifting the hinged section of the Splash Guard. *See Figure 1.*
- 5) You do not need to remove the Splash Guard to change attachment tools.
- 6) To remove the Splash Guard, raise the mixer head according to direction (1) in the "Operating Your Stand Mixer" section of the manual. Once the mixer head has been raised and is locked into place, slide the Splash Guard down.

FIGURE 1



## TROUBLESHOOTING

### PROBLEM:

The whisk or flat beater knocks against the bottom of the bowl or is not reaching the ingredients towards the bottom.

### SOLUTION:

Adjust the height. Here's how:

- 1) Unplug the unit and raise the mixer head. Insert the stainless steel whisk or non-stick flat beater.
- 2) Hold the attachment and then loosen nut. *See Figure 1.*
- 3) Lower the mixer head and adjust the height by turning the shaft.
- 4) Ideally, the stainless steel whisk or non-stick flat beater should be almost touching the bottom of the bowl. *See Figure 2.*
- 5) Raise the head, hold the stainless steel whisk or non-stick flat beater and tighten the nut.

FIGURE 1

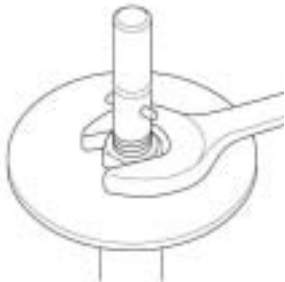
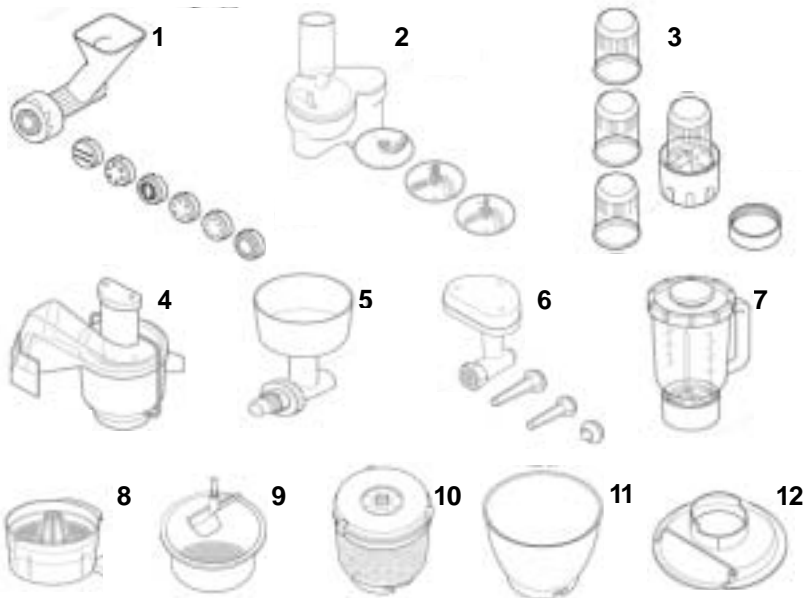


FIGURE 2



## OPTIONAL ATTACHMENTS (SOLD SEPARATELY)\*

- 1) PASTA MAKER WITH SIX SCREENS (MODEL A936)
- 2) HIGH-SPEED SLICER / SHREDDER (MODEL A998)
- 3) MINI FOOD PROCESSOR AND CHOPPER (MODEL A938)
- 4) CONTINUOUS JUICE EXTRACTOR (MODEL A935)
- 5) GRAIN MILL (MODEL A941)
- 6) PROFESSIONAL-QUALITY FOOD GRINDER (MODEL A950)
- 7) 1.2-LITER (40-OUNCE) GLASS BLENDER (MODEL A994)
- 8) CITRUS JUICER (MODEL A995)
- 9) FRUIT AND VEGETABLE STRAINER (A930: 7-QUART; MODEL A992: 5-QUART)
- 10) POTATO PEELER (MODEL A952: 7-QUART; MODEL A934: 5-QUART)
- 11) STAINLESS STEEL BOWL (MODEL 34655: 7-QUART; MODEL 34654: 5-QUART)
- 12) SPLASH GUARD (MODEL 31227)



**\*To purchase an additional included attachment or an attachment sold separately either contact the DeLonghi Customer Service Department at 1-800-322-3848 to buy direct, or ask a DeLonghi Customer Service Representative for the nearest retailer.**



## CLEANING YOUR STAND MIXER AND PARTS

1) **CAUTION:** Be sure to switch off and unplug this appliance before cleaning the body and its attachments. To protect against electrical shock, do not immerse cord, plug or unit in water or liquid. After each use, always make sure plug is first removed from wall outlet.

2) A small amount of grease may appear on the outlets when you first use them. This is normal and it will not affect the performance of your machine. Just wipe the grease off with a paper towel.

•**BODY:** Wipe the body of the stand mixer with a damp cloth and then dry with a towel. Do not use harsh or abrasive cleansers on the exterior of the unit. Do not immerse the body in water.

•**STAINLESS STEEL BOWL:** Never use a wire brush, steel wool or bleach to clean the stainless steel bowl. The bowl can be placed in the top rack of the dishwasher. The bowl can also be washed by hand with mild detergent.

•**ACCESSORY ATTACHMENTS:** Wash the accessory attachments by hand with mild detergent, and then dry thoroughly. The stainless steel whisk may be placed in the top rack of your dishwasher.

•**SPLASH GUARD:** Wash by hand with mild detergent, and then dry thoroughly.

## RECIPES

### **SUGAR COOKIES (Using Non-Stick Flat Beater)**

#### INGREDIENTS:

- 3/4 cup butter or margarine, softened
- 3/4 cup sugar
- 1 egg
- 1 teaspoon vanilla extract
- 1 1/2 cups all-purpose flour
- 1 teaspoon baking powder
- 1/2 teaspoon salt

#### DIRECTIONS:

- 1) Attach flat beater to mixer head.
- 2) Add butter and sugar to mixing bowl and blend thoroughly using speed 3.
- 3) Gradually increase speed to 6 and continue mixing until light and fluffy.
- 4) Turn stand mixer OFF, and add egg and vanilla extract.
- 5) Mix together using speed 3 until well blended.
- 6) Turn down to speed 1 and slowly add flour, baking powder and salt.
- 7) Gradually increase speed to 3 until well blended.
- 8) Turn stand mixer OFF, and shape dough into a ball and wrap in wax paper.
- 9) Refrigerate for about 2 hours and then preheat oven to 375°F.
- 10) Divide dough in half. On lightly floured surface roll dough 1/4-inch thick
- 11) Using a floured cookie cutter, cut dough and place cookies on greased sheet.
- 12) Sprinkle with sugar, if desired. Bake for 7 to 8 minutes or until lightly browned.

*Makes about 5 dozen cookies.*

### **POUND CAKE (Using Non-Stick Flat Beater)**

#### INGREDIENTS:

- 1 cup butter or margarine, softened
- 1 1/2 cups sugar
- 4 eggs
- 2 teaspoons vanilla extract
- 2 cups cake flour
- 1 teaspoon baking powder
- 1/2 teaspoon salt
- 1/4 cup milk

#### DIRECTIONS:

- 1) Preheat oven to 325°F. Grease a 9 x 5 x 2 3/4-inch loaf pan.
- 2) Attach flat beater to the mixer head.
- 3) Add butter and sugar to mixing bowl.
- 4) Blend thoroughly using speed 3.
- 5) Gradually increase speed to 6 and continue mixing until light and fluffy.
- 6) Turn OFF mixer. Add eggs, one at a time, blending thoroughly using speed 3.

## RECIPES (CONTINUED)

### *POUND CAKE (Using Non-Stick Flat Beater) - continued*

- 7) Blend in vanilla extract, and then turn mixer down to speed 1.
- 8) Add flour, baking powder, salt and milk. Scrape side of bowl if necessary.
- 9) Gradually increase to speed 3 until well blended.
- 10) Pour batter into prepared baking pan.
- 11) Bake for 55 minutes to 1 hour, or until toothpick inserted in the center comes out clean.

*Makes 1 loaf.*

### *WHITE BREAD (Using Non-Stick Dough Hook)*

#### INGREDIENTS:

- 1 cup milk
- 1/4 cup butter or margarine
- 2 teaspoons salt
- 2 packages active dry yeast
- 1/4 cup sugar
- 1 cup warm water (105° - 115° F)
- 5 1/2 cups all-purpose flour

#### DIRECTIONS:

- 1) In a 1-quart saucepan add milk, butter and salt. Heat over low heat until very warm and butter melts. Set aside to cool.
- 2) Attach dough hook to mixer head.
- 3) Dissolve yeast and sugar in warm water in mixing bowl.
- 4) Allow mixture to stand for 5 minutes or until mixture looks foamy.
- 5) Add cooled milk mixture and 2 cups of flour. Blend thoroughly using speed 2.
- 6) Kneading on speed 1, gradually add additional flour until mixture leaves the side of the bowl.
- 7) Increase speed to 2 and knead for about 3 minutes or until dough becomes smooth and elastic. Add additional flour if necessary.
- 8) Coat dough lightly with oil. Cover bowl tightly; allow dough to rise in a warm draft-free location for 1 hour or until doubled in size.
- 9) Remove dough from bowl and punch down. Divide dough in half.
- 10) Roll out each half to a rectangle; roll up tightly.
- 11) Place in two greased 8 1/2 x 4 1/2 x 3-inch loaf pans.
- 12) Brush top of loaves with oil. Cover and let rise for 1 hour or until doubled in size.
- 13) Preheat oven to 350° F. Bake for 35 to 40 minutes or until loaves sound hollow when tapped.

*Makes 2 loaves.*

## **RECIPES (CONTINUED)**

### ***PIZZA DOUGH (Using Non-Stick Dough Hook)***

#### **INGREDIENTS:**

- 1 package active dry yeast
- 1 teaspoon sugar
- 3/4 cup warm water (105° - 115° F)
- 1/2 teaspoon salt
- 1 tablespoon olive oil
- 2 1/4 cups all-purpose flour

#### **DIRECTIONS:**

- 1) Attach dough hook to mixer.
- 2) Dissolve yeast and sugar in warm water in mixing bowl.
- 3) Allow mixture to stand for 5 minutes or until mixture looks foamy.
- 4) Add remaining ingredients and blend thoroughly using speed 2.
- 5) Kneading on speed 2 blend until smooth. Dough will be sticky.
- 6) Scrape dough from side of bowl. Cover with plastic wrap; allow dough to rise in a warm (90° F) draft-free location for 1 hour or until doubled in size.
- 7) Use as directed in pizza recipe.

*Makes about 1 pound pizza dough.*

### ***CREAMY ITALIAN DRESSING (Using Stainless Steel Whisk)***

#### **INGREDIENTS:**

- 1 cup mayonnaise
- 1/4 cup red wine vinegar
- 1 teaspoon oregano
- 1 teaspoon basil
- 1/2 teaspoon parsley
- 1/2 teaspoon garlic powder
- 1/2 teaspoon salt
- 1/4 teaspoon black pepper

#### **DIRECTIONS:**

- 1) Attach whisk to mixer.
- 2) Add all ingredients to mixing bowl.
- 3) Blend thoroughly on maximum speed.
- 4) Place in airtight container and refrigerate.

*Makes 1 2/3 cups dressing.*

## **RECIPES (CONTINUED)**

### ***SWEETENED WHIPPED CREAM (Using Stainless Steel Whisk)***

#### **INGREDIENTS:**

- 1 cup heavy cream
- 2 tablespoons sugar
- 1/2 teaspoon vanilla extract

#### **DIRECTIONS:**

- 1) Attach whisk to mixer. Add cream to mixing bowl.
- 2) Beat cream using speed 3 until foamy. Gradually increase speed to maximum, adding remaining ingredients.
- 3) Whip until soft peaks form.

*Makes about 2 cups.*

## **ADDITIONAL PRODUCT INFORMATION**

Made in U.K.

Power Requirement: 120 Volts / 60 Hz

Power Consumption: 800 Watts (DSM800)

Power Consumption: 705 Watts (DSM700)

Website: [www.delonghi.com](http://www.delonghi.com)

10-Year Warranty on Stand Mixer Motor

The maximum rating is based on the attachment that draws the greatest load. Other attachments may draw significantly less power.

© 2002 DeLonghi

**••Limited Warranty••**

WHAT DOES THE WARRANTY COVER?

We warrant each appliance to be free from defects in material and workmanship. Our obligation under this warranty is limited to replacement or repair, free of charge at our factory or authorized service centers of any defective part or parts thereof other than parts damaged in transit, which shall be returned to us, transportation prepaid. This warranty shall apply only if the appliance is used in accordance with the factory directions which accompany it, and on an Alternating Current (AC) circuit.

HOW LONG DOES THE COVERAGE LAST?

This warranty runs for one year from the date of delivery and applies only to the original purchaser for use.

WHAT IS NOT COVERED BY THE WARRANTY?

The warranty does not cover defects or damage of the appliance which result from repairs or alterations to the appliance outside our factory or authorized service centers, nor shall it apply to any appliance which has been subject to abuse, misuse, negligence or accidents. Also, consequential and incidental damage resulting from the use of this product or arising out of any breach of contract or breach of this warranty are not recoverable under this warranty. Some states do not allow the exclusion or limitation of incidental or consequential damage, so the above limitation may not apply to you.

HOW DO YOU GET SERVICE?

If repairs become necessary or spare parts are needed, please contact:

DeLonghi America, Inc.  
Park 80 West, Plaza One  
Saddle Brook, NJ 07663  
Or call us at: 1-800-322-3848

The above warranty is in lieu of all other express warranties and representations. All implied warranties are limited to the applicable warranty period set forth above. This limitation does not apply if you enter into an extended warranty with DeLonghi. Some states do not allow limitations on how long an implied warranty lasts, so the above exclusions may not apply to you. DeLonghi does not authorize any other person or company to assume for it any liability in connection with the sale or use of its appliance.

HOW DOES STATE LAW APPLY?

This warranty gives you specific legal rights, and you may also have other rights which vary from state to state.

# PRÉCAUTIONS IMPORTANTES

Lorsque vous utilisez des appareils électriques, respectez toujours des précautions élémentaires, y compris les précautions suivantes :

- 1) Lisez toutes les instructions.
- 2) Une surveillance constante est nécessaire lorsqu'un appareil est utilisé en présence d'enfants.
- 3) Pour éviter les risques d'incendie, d'électrocution ou de blessures, ne plongez pas le cordon, la fiche ou l'appareil dans l'eau ou dans un autre liquide.
- 4) Éteignez et débranchez l'appareil de la prise électrique lorsqu'il n'est pas en service, avant de le nettoyer ou avant d'y installer ou d'en retirer des accessoires.
- 5) N'utilisez aucun appareil qui a été endommagé, dont la fiche ou le cordon électrique est abîmé ou dont le fonctionnement est anormal. Retournez l'appareil à un centre de réparation DeLonghi autorisé pour y être examiné, réparé ou réglé.
- 6) Débranchez l'appareil en retirant la fiche de la prise électrique. Pour le faire, tirez uniquement sur la fiche et jamais sur le cordon électrique.
- 7) Ne l'utilisez pas à en plein air.
- 8) Ne laissez pas le cordon électrique pendre sur le côté d'une table ou d'un comptoir et ne le laissez pas toucher des surfaces chaudes.
- 9) N'utilisez pas l'appareil à des fins autres que celle pour laquelle il est prévu.
- 10) Éloignez vos doigts des pièces mobiles et des accessoires installés.
- 11) Ne laissez pas l'appareil sans surveillance.
- 12) N'utilisez pas d'accessoires non autorisés.
- 13) N'en dépassez jamais la capacité maximale. (Consultez « Dispositif protecteur contre les surintensités »)
- 14) Lorsque vous utilisez un accessoire, veillez à en lire les précautions d'utilisation.
- 15) Cette machine est uniquement destinée à une utilisation domestique.

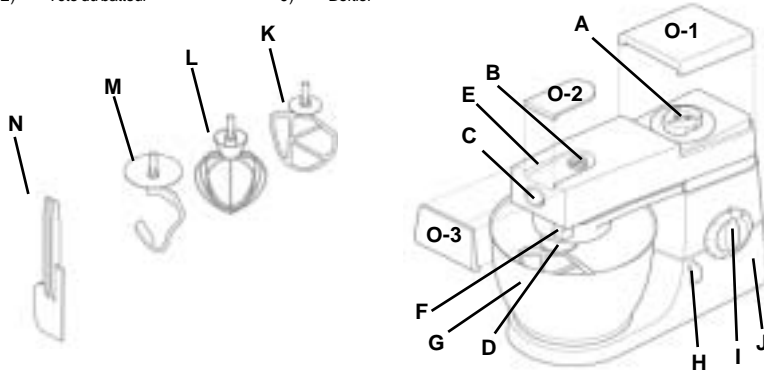
# CONSERVEZ LES INSTRUCTIONS

## PRÉCAUTIONS POUR LE CORDON COURT

Un cordon électrique court est fourni pour réduire les risques d'entortillement et de trébuchement associés à un cordon électrique plus long. N'utilisez pas de prolongateurs. Un prolongateur pourrait surchauffer et poser des risques d'incendie. Néanmoins, si l'utilisation d'un prolongateur s'avère nécessaire, (1) son calibre minimal doit être au moins égal à celui de l'appareil et (2) il doit être placé afin de ne pas pendre d'un comptoir ou d'une table là où il pourrait être tiré par des enfants ou faire trébucher quelqu'un par accident. Les caractéristiques électriques de cet appareil sont indiquées sur son socle. Si l'appareil est conçu pour être mis à la terre, le prolongateur devrait être composé de trois fils et mis à la terre. Cet appareil est équipé d'une fiche polarisée. Une branche est plus large que l'autre. À titre de sécurité, cette fiche ne peut être insérée que d'une seule façon dans la prise de courant murale. Si elle ne s'insère pas complètement dans la prise murale, contactez un électricien qualifié. N'essayez en aucun cas de modifier ce dispositif de sécurité.

## VOTRE BATTEUR SUR SOCLE

- |                                |  |                                      |
|--------------------------------|--|--------------------------------------|
| A) Raccord à grande vitesse    | F) Fermeture du raccord  | K) Fouet plat antiadhésif            |
| B) Raccord pour presse-agrumes | G) Bol en acier inoxydable   | L) Fouet en acier inoxydable         |
| C) Raccord à basse vitesse     | H) Levier de basculement de la tête  | M) Crochet pétrisseur antiadhésif    |
| D) Raccord pour accessoire     | I) Commande de Marche/Arrêt (On/Off), Impulsion (Pulse) et Vitesse (Speed) | N) Spatule                           |
| E) Tête du batteur             | J) Boîtier   | O) Couvercles des raccords (1, 2, 3) |



## AVANT LA PREMIÈRE UTILISATION

Déballer soigneusement votre batteur sur socle et retirez-en tous les matériaux d'emballage. Retirez toutes les étiquettes et tous les autocollants du batteur. Pour retirer la poussière qui aurait pu s'accumuler pendant l'emballage, lavez bien le batteur et ses accessoires inclus avant de l'utiliser pour la première fois. (Consultez la section « Nettoyage du batteur sur socle et de ses accessoires » dans ce manuel.)

## DISPOSITIF PROTECTEUR CONTRE LES SURINTENSITÉS

Votre batteur sur socle est équipé d'un dispositif protecteur contre les surintensités qui l'éteint automatiquement si la capacité dépasse la valeur recommandée. Si le dispositif protecteur contre les surintensités se déclenche, placez la commande Marche/Arrêt (On/Off), Impulsion (Pulse) et Vitesse (Speed) en position éteinte (Off) puis débranchez l'appareil. Retirez une partie des ingrédients pour réduire la charge puis laissez l'appareil se reposer pendant quelques minutes. Rebranchez l'appareil, choisissez une vitesse avec la commandes Marche/Arrêt (On/Off), Impulsion (Pulse) et Vitesse (Speed) et le batteur sur socle devrait de nouveau fonctionner. Si l'appareil ne démarre pas immédiatement, laissez-le se reposer plus longtemps. Si le batteur ne redémarre pas après vingt minutes, veuillez consulter la section GARANTIE LIMITÉE de votre mode d'emploi pour plus de renseignements sur le service de réparation.



## ACCESSOIRES INCLUS AVEC LE BATTEUR SUR SOCLE

### RECOMMANDATIONS D'UTILISATION

- **Fouet plat antiadhésif** : pour préparer des gâteaux, des biscuits, des pâtisseries, du glaçage, des garnitures et de la purée de pommes de terre.
- **Fouet en acier inoxydable** : pour battre des œufs, des crèmes, des meringues, des gâteaux au fromage, des mousses et des soufflés. Pour éviter d'endommager l'appareil, n'utilisez pas le fouet pour des mélanges lourds.
- **Crochet pétrisseur antiadhésif** : Pour les mélanges de levure.

### UTILISATION DU BATTEUR SUR SOCLE

- 1) Tournez le levier de verrouillage dans le sens inverse des aiguilles d'une montre pour libérer la tête du batteur (E). Soulevez-la jusqu'à ce qu'elle se verrouille en position ouverte. *Consultez la figure 1.*
- 2) Pour insérer un accessoire, placez-le dans le raccord pour accessoire (D) et enfoncez-le jusqu'à ce qu'il soit solidement en place. *Consultez la figure 2.*
- 3) Placez le bol en acier inoxydable (G) sur le socle et alignez les deux rainures de la base du bol avec les deux encoches du socle du batteur. Une fois en position, tournez le bol dans le sens des aiguilles d'une montre jusqu'à ce qu'il soit solidement en place. *Consultez la figure 3.*
- 4) Tournez le levier de verrouillage de le sens des aiguilles d'une montre pour libérer la tête du batteur. Une fois qu'elle est déverrouillée, abaissez-la jusqu'à ce qu'elle se verrouille en position d'utilisation. Si vous ne parvenez pas à la verrouiller, vérifiez la position du bol.
- 5) Branchez l'appareil dans une prise de courant de 120 V/60 Hz c.a. uniquement.

FIGURE 1



FIGURE 2



FIGURE 3



## UTILISATION DU BATTEUR SUR SOCLE (suite)

- 6) Pour allumer le batteur, tournez la commande Marche/Arrêt (On/Off), Impulsion (Pulse) et Vitesse (Speed) (I) dans le sens des aiguilles d'une montre puis réglez la vitesse en conséquence pour continuer de la tourner dans ce sens. Tournez la commande Marche/Arrêt (On/Off), Impulsion (Pulse) et Vitesse (Speed) dans le sens inverse des aiguilles d'une montre pour lancer le fouet pendant un court instant (le mode Impulsion est indiqué par la lettre « P »). Consultez la figure 4.
- 7) Une fois que vous avez terminé, tournez la commande Marche/Arrêt (On/Off), Impulsion (Pulse) et Vitesse (Speed) en position « O » (Off) pour éteindre l'appareil.
- 8) Pour retirer un accessoire, répétez l'étape 1 et retirez l'accessoire en le tournant dans le sens inverse des aiguilles d'une montre.
- 9) Raclez le bol avec la spatule (N) fournie pour retirer le contenu.

FIGURE 4



## CONSEILS DE PRÉPARATION

### GÉNÉRALITÉS :

- 1) Les œufs à la température ambiante donnent de meilleurs résultats pour le fouettement.
- 2) Avant d'utiliser le fouet pour les blancs d'œuf, veillez à ce qu'il n'y ait aucune graisse ni jaune d'œuf sur le fouet ou dans le bol.
- 3) Utilisez des ingrédients froids pour les pâtisseries, à moins que votre recette indique le contraire.

### PRÉPARATION D'UNE PÂTE À PAIN :

- 1) **IMPORTANT** : Ne dépassez jamais les capacités maximales indiquées ci-dessous.
- 2) Si vous sentez que l'appareil a du mal à pétrir les ingrédients, éteignez-la et retirez la moitié de la pâte et pétrissez séparément les deux moitiés.
- 3) Les ingrédients sont plus faciles à mélanger si vous ajoutez le liquide en premier.

## CAPACITÉS MAXIMALES

### Série DSM800

Type de pâte	Type de poids	Quantité
Pâte à pâtisserie	Poids de la farine	910 grammes
Pâte levée	Poids de la farine	1,5 kg
Préparation pour gâteau	Poids total	4,55 kg
Œufs		16

### Série DSM700

Type de pâte	Type de poids	Quantité
Pâte à pâtisserie	Poids de la farine	680 grammes
Pâte levée	Poids de la farine	1,36 kg
Préparation pour gâteau	Poids total	2,72 kg
Œufs		12

## VITESSES RECOMMANDÉES POUR LES ACCESSOIRES

### FOUET PLAT ANTIADHÉSIF :

- 1) *Pour faire mousse de la graisse et du sucre:* Commencez à MIN et augmentez progressivement jusqu'à 5.
- 2) *Pour battre des œufs en crème:* de 4 à MAX.
- 3) *Pour ajouter de la farine ou des fruits:* de MIN à 1.
- 4) *Pour les préparations à gâteau:* Commencez à MIN et augmentez progressivement jusqu'à MAX.
- 5) *Pour mélanger de la graisse à de la farine:* de MIN à 2.

### FOUET EN ACIER INOXYDABLE :

- 1) Augmentez progressivement jusqu'à MAX.

### CROCHET PÉTRISSEUR ANTIADHÉSIF :

- 1) Commencez à MIN et augmentez progressivement jusqu'à 1.

## UTILISATION DU PARE-ÉCLABOUSSURES

- 1) Suivez l'instruction 1 dans la section « Utilisation du batteur sur socle » du manuel.
- 2) Installez le pare-éclaboussures sur le raccord pour accessoire (D) en poussant fermement. La section à charnière devrait être positionnée comme l'illustre la figure 1.

FIGURE 1



## UTILISATION DU PARE-ÉCLABOUSSURES (suite)

- 3) Insérez l'accessoire désiré et suivez l'instruction 2 dans la section « Utilisation du batteur sur socle » du manuel.
- 4) Pendant le fouettement, il est possible d'ajouter directement des ingrédients dans le bol en soulevant simplement la section à charnière du pare-éclaboussures. *Consultez la figure 1.*
- 5) Il n'est pas nécessaire de retirer le pare-éclaboussures pour changer d'accessoire.
- 6) Pour retirer le pare-éclaboussures, soulevez la tête du batteur comme l'explique l'instruction 1 dans la section « Utilisation du batteur sur socle » du manuel. Une fois que la tête du batteur a été soulevée et s'est verrouillée en position ouverte, faites coulisser le pare-éclaboussures vers le bas.

## DÉPANNAGE

### PROBLÈME :

Le fouet frappe contre le fond du bol ou n'atteint pas les ingrédients au fond du bol.

### SOLUTION :

Réglez la hauteur de la tête du batteur de la manière suivante :

- 1) Débranchez l'appareil et soulevez-en la tête. Installez le fouet en acier inoxydable ou le fouet plat antiadhésif.
- 2) Tenez l'accessoire et desserrez l'écrou. *Consultez la figure 1.*
- 3) Abaissez la tête du batteur et réglez-en la hauteur en tournant l'arbre.
- 4) Idéalement, le fouet en acier inoxydable ou le fouet plat antiadhésif devrait presque toucher le fond du bol. *Consultez la figure 2.*
- 5) Soulevez la tête du batteur, tenez le fouet en acier inoxydable ou le fouet plat antiadhésif et serrez l'écrou.

FIGURE 1

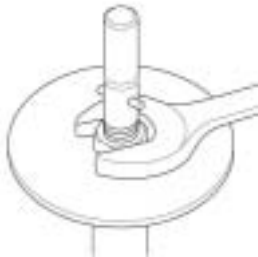
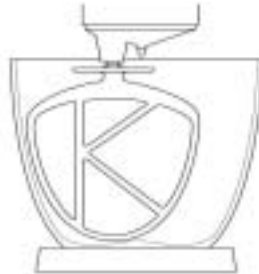
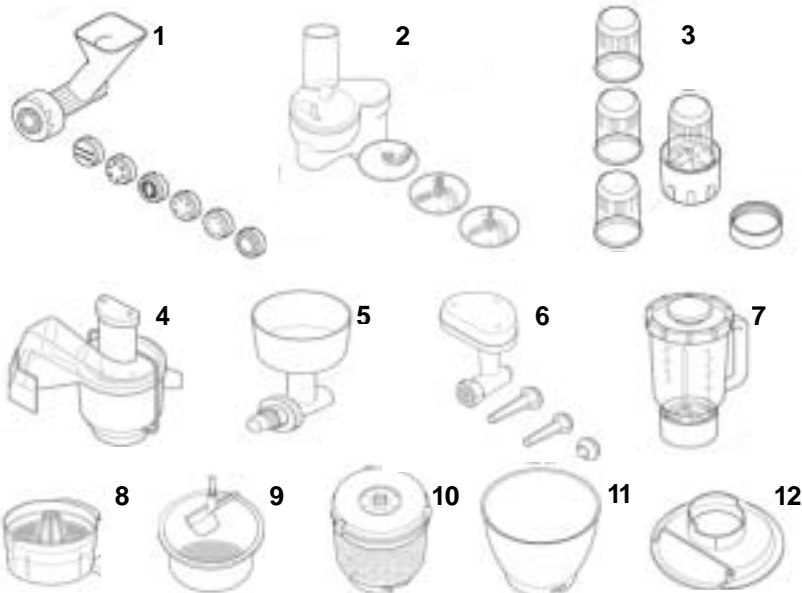


FIGURE 2



## ACCESSOIRES EN OPTION (VENDUS SÉPARÉMENT)\*

- 1) MACHINE À PÂTES AVEC SIX GRILLES (MODÈLE A936)
- 2) TRANCHEUSE/DÉCHIQUETEUSE À GRANDE VITESSE (MODÈLE A998)
- 3) MINI ROBOT DE CUISINE ET HACHOIR (MODÈLE A938)
- 4) CENTRIFUGEUSE CONTINUE (MODÈLE A935)
- 5) MOULIN À GRAINS (MODÈLE A941)
- 6) BROYEUSE À ALIMENTS DE QUALITÉ PROFESSIONNELLE (MODÈLE A950)
- 7) MÉLANGEUR EN VERRE DE 1,2 LITRE (40 ONCES) (MODÈLE A994)
- 8) PRESSE-AGRUMES (MODÈLE A995)
- 9) BROYEUSE POUR FRUITS ET LÉGUMES (MODÈLE A992: 6,62 litres; MODÈLE A930: 4,73 litres)
- 10) ÉPLUCHEUSE DE POMMES DE TERRE (MODÈLE A952: 6,62 litres; MODÈLE A934: 4,73 litres)
- 11) BOL EN ACIER INOXYDABLE (MODÈLE 34655: 6,62 litres; MODÈLE 34654: 4,73 litres)
- 12) PARE-ÉCLABOUSSURES (MODÈLE 31227)



\*Pour acheter un accessoire inclus supplémentaire ou un accessoire vendu séparément, contactez le service à la clientèle de DçLonghi au 1-800-322-3848 pour l'acheter directement ou demandez à un représentant du service à la clientèle de DçLonghi l'adresse du revendeur le plus proche de chez vous.

## NETTOYAGE DU BATTEUR SUR SOCLE ET DE SES ACCESSOIRES

- 1) **MISE EN GARDE** : Veillez à éteindre et à débrancher l'appareil avec d'en nettoyer le boîtier et les accessoires. Pour éviter les électrocutions, ne plongez pas le cordon, la fiche ou l'appareil dans l'eau ou dans un autre liquide. Après chaque utilisation, assurez-vous toujours que la fiche est d'abord débranchée de la prise murale.
- 2) Une petite quantité de graisse peut apparaître sur les raccords lorsque vous les utilisez pour la première fois. Cela est normal et n'aura pas d'effet sur le rendement de l'appareil. Essayez simplement la graisse avec une serviette en papier.

- **BOÎTIER**: Essayez le boîtier du batteur sur socle avec un chiffon humide puis séchez-le avec une serviette. N'utilisez pas de produits de nettoyage forts ou abrasifs sur l'extérieur de l'appareil. Ne plongez pas le boîtier dans l'eau.
- **BOL EN ACIER INOXYDABLE**: N'utilisez jamais une brosse métallique, de la laine d'acier ou de l'eau de Javel pour nettoyer le bol en acier inoxydable. Ne le mettez pas au lave-vaisselle. Lavez le bol à la main avec un détergent doux et utilisez du vinaigre pour retirer le calcaire et le tartre.
- **ACCESSOIRES**: Lavez les accessoires à la main avec un détergent doux et séchez-les bien. Une décoloration du fouet plat antiadhésif, du fouet en acier inoxydable ou du crochet pétrisseur antiadhésif peut se produire s'ils sont lavés au lave-vaisselle.
- **PARE-ÉCLABOUSSURE**: Lavez-le à la main avec un détergent doux puis séchez-le bien.

## RECETTES

### **BISCUITS AU SUCRE (en utilisant le fouet plat antiadhésif)**

#### INGRÉDIENTS :

- ¾ de tasse de beurre ou de margarine, ramolli
- ¾ de tasse de sucre
- 1 œuf
- 1 c. à thé d'extrait de vanille
- 1,5 tasse de farine tout-usage
- 1 c. à thé de levure chimique
- ½ c. à thé de sel

#### PRÉPARATION :

- 1) Attachez le fouet plat à la tête du batteur.
- 2) Mettez le beurre et le sucre dans le bol mélangeur et mélangez bien à la vitesse 3.
- 3) Augmentez progressivement la vitesse jusqu'à 6 et continuez à mélanger jusqu'à ce que le mélange soit léger et aéré.
- 4) Éteignez le batteur et ajoutez l'œuf et l'extrait de vanille.
- 5) Mélangez le tout à la vitesse 3 jusqu'à ce que le mélange soit homogène.
- 6) Réduisez la vitesse à 1 et ajoutez lentement la farine, la levure chimique et le sel.
- 7) Augmentez progressivement la vitesse jusqu'à 3 jusqu'à ce que le mélange soit homogène.
- 8) Éteignez le batteur, pétrissez la pâte pour former une boule et enveloppez-la dans un papier ciré.
- 9) Réfrigérez pendant 2 heures environ puis préchauffez le four à 375 °F.
- 10) Séparez la pâte en deux moitiés. Sur une surface légèrement farinée, roulez la pâte pour obtenir une épaisseur de ¼ de pouce.
- 11) En utilisant un emporte-pièce fariné, découpez la pâte et placez les abaisses sur une feuille graissée.
- 12) Saupoudrez de sucre, si vous le désirez. Faites cuire pendant 7 à 8 minutes ou jusqu'à ce qu'ils soient légèrement dorés.

*Donne 5 douzaines de biscuits environ.*

### **QUATRE-QUART (en utilisant le fouet plat antiadhésif)**

#### INGRÉDIENTS :

- 1 tasse de beurre ou de margarine, ramolli
- 1,5 de tasse de sucre
- 4 œufs
- 2 c. à thé d'extrait de vanille
- 2 tasses de farine à gâteau
- 1 c. à thé de levure chimique
- ½ c. à thé de sel
- ¼ de tasse de lait

## **RECETTES (suite)**

### **QUATRE-QUART (en utilisant le fouet plat antiadhésif) - suite**

#### **PRÉPARATION :**

- 1) Préchauffez le four à 325 °F. Graissez un moule à pain de 9 x 5 x 2,75 pouces.
- 2) Attachez le fouet plat à la tête du batteur.
- 3) Mettez le beurre et le sucre dans le bol mélangeur.
- 4) Mélangez bien à la vitesse 3.
- 5) Augmentez progressivement la vitesse jusqu'à 6 et continuez à mélanger jusqu'à ce que le mélange soit léger et aéré.
- 6) Éteignez le batteur. Ajoutez les œufs, un par un, en mélangeant bien à la vitesse 3.
- 7) Ajoutez et mélangez l'extrait de vanille puis réduisez la vitesse du batteur à 1.
- 8) Ajoutez la farine, la levure chimique et le sel. Raclez les côtés du bol, si nécessaire.
- 9) Augmentez progressivement la vitesse jusqu'à 3 jusqu'à ce que le mélange soit homogène.
- 10) Versez la pâte dans le moule préparé.
- 11) Faites cuire pendant 55 minutes à 1 heure ou jusqu'à ce qu'un cure-dents enfoncé au centre ressorte propre.

*Donne 1 gâteau.*

### **PAIN BLANC (en utilisant le crochet pétrisseur antiadhésif)**

#### **INGRÉDIENTS :**

- 1 tasse de lait
- ¼ de tasse de beurre ou de margarine
- 2 c. à thé de sel
- 2 paquets de levure sèche active
- ¼ de tasse de sucre
- 1 tasse d'eau tiède (de 105 à 115 °F)
- 5,5 tasses de farine tout-usage

#### **PRÉPARATION :**

- 1) Dans une casserole d'un litre, ajoutez le lait, le beurre et le sel. Faites chauffer à basse température jusqu'à ce que le lait soit très chaud et le beurre fondu. Mettez la préparation de lait de côté pour qu'elle refroidisse.
- 2) Attachez le crochet pétrisseur à la tête du batteur.
- 3) Dissolvez la levure et le sucre dans de l'eau tiède dans le bol mélangeur.
- 4) Laissez reposer le mélange pendant 5 minutes ou jusqu'à ce qu'il apparaisse mousseux.
- 5) Ajoutez la préparation de lait refroidie et 2 tasses de farine. Mélangez bien à la vitesse 2.
- 6) En pétrissant le mélange à la vitesse 1, ajoutez progressivement le reste de la farine jusqu'à ce que la pâte se détache de la paroi du bol.



## RECETTES (suite)

### **PAIN BLANC (en utilisant le crochet pétrisseur antiadhésif) - suite**

- 7) Augmentez la vitesse jusqu'à 2 et pétrissez la pâte pendant 3 minutes environ ou jusqu'à ce qu'elle devienne lisse et élastique. Ajoutez de la farine si cela est nécessaire.
- 8) Enduisez légèrement la pâte d'une couche d'huile. Couvrez bien le bol. Laissez monter la pâte dans un endroit tiède sans courant d'air pendant 1 heure ou jusqu'à ce que sa taille ait doublé.
- 9) Retirez la pâte du bol et dégonflez-la en y enfonçant fermement le poing. Séparez la pâte en deux moitiés.
- 10) Roulez chaque moitié pour former un rectangle. Roulez-la pour qu'elle soit compacte.
- 11) Placez les deux moitiés dans deux moules à pain graissés de 8,5 x 4,5 x 3 pouces.
- 12) Brossez d'huile le dessus des pains. Couvrez et laissez monter pendant 1 heure ou jusqu'à ce que leur taille ait doublé.
- 13) Préchauffez le four à 350 °F. Faites cuire pendant 35 à 40 minutes ou jusqu'à ce que le pain sonne creux au tapotage.

*Donne 2 pains.*

### **PÂTE À PIZZA (en utilisant le crochet pétrisseur antiadhésif)**

#### INGRÉDIENTS :

- 1 paquet de levure sèche active
- 1 tasse de sucre
- $\frac{3}{4}$  de tasse d'eau tiède (de 105 à 115 °F)
- $\frac{1}{2}$  tasse de sel
- 1 c. à table d'huile d'olive
- 2,25 tasses de farine tout-usage

#### PRÉPARATION :

- 1) Attachez le crochet pétrisseur à la tête du batteur.
- 2) Dissolvez la levure et le sucre dans de l'eau tiède dans le bol mélangeur.
- 3) Laissez reposer le mélange pendant 5 minutes ou jusqu'à ce qu'il apparaisse mousseux.
- 4) Ajoutez les ingrédients restants et mélangez bien le tout à la vitesse 2.
- 5) Pétrissez la pâte à la vitesse 2 jusqu'à ce qu'elle soit lisse.
- 6) Raclez la pâte pour la détacher de la paroi du bol. Couvrez-la d'un film de plastique. Laissez monter la pâte dans un endroit tiède (90 °F) sans courant d'air pendant 1 heure ou jusqu'à ce que sa taille ait doublé.
- 7) Utilisez la pâte conformément à la recette de la pizza.

*Donne une pâte à pizza de 1 livre environ.*

## RECETTES (suite)

### VINAIGRETTE ITALIENNE CRÉMEUSE (en utilisant le fouet en acier inoxydable)

#### INGRÉDIENTS :

- 1 tasse de mayonnaise
- ¼ de tasse de vinaigre de vin rouge
- 1 c. à thé d'origan
- 1 c. à thé de basilic
- ½ c. à thé de persil
- ½ c. à thé d'ail en poudre
- ½ tasse de sel
- ¼ de tasse de poivre noir

#### PRÉPARATION :

- 1) Attachez le fouet en acier inoxydable à la tête du batteur.
- 2) Ajoutez tous les ingrédients dans le bol mélangeur.
- 3) Mélangez bien le tout à la vitesse maximale.
- 4) Placez la vinaigrette dans un récipient hermétique et placez au réfrigérateur.

*Donne 1,67 tasse de vinaigrette.*

### CRÈME FOUETTÉE SUCRÉE (en utilisant le fouet en acier inoxydable)

#### INGRÉDIENTS :

- 1 tasse de crème épaisse
- 2 c. à table de sucre
- ½ c. à thé d'extrait de vanille

#### PRÉPARATION :

- 1) Attachez le fouet à la tête du batteur. Ajoutez la crème dans le bol mélangeur.
- 2) Fouettez la crème à la vitesse 3 jusqu'à ce qu'elle mousse. Augmentez progressivement la vitesse jusqu'au maximum, en ajoutant les ingrédients restants.
- 3) Fouettez la crème jusqu'à ce que des pointes se forment.

*Donne 2 tasses de crème fouettée environ.*

Fabriqué au R.-U.

Caractéristiques électriques : 120 volts/60 Hz

Puissance consommée : 800 watts (DSM800)

Puissance consommée : 705 watts (DSM700)

Site Web : [www.delonghi.com](http://www.delonghi.com)

Garantie de dix (10) ans sur le moteur du batteur sur socle

La valeur nominale maximum vient de l'accessoire qui tire le plus grand facteur d'utilisation. Autres accessoires peuvent tirer considérablement moins de puissance.

**••Garantie Limitée••**

QU'EST-CE QUE CETTE GARANTIE COUVRE?

Nous garantissons que chaque appareil sera exempt de tout vice de matériau ou de main-d'œuvre. Notre obligation selon cette garantie est limitée au remplacement ou la réparation sans frais à notre usine ou aux centres de réparation autorisés de toutes les pièces défectueuses, autres que celles endommagées pendant le transport, qui nous seront retournées, port payé. Cette garantie n'entre en vigueur que si l'appareil est utilisé conformément aux instructions de l'usine qui l'accompagnent et sur un circuit électrique à courant alternatif (c.a.).

COMBIEN DE TEMPS DURE LA GARANTIE?

Cette garantie dure une année à partir de la date de livraison et s'applique uniquement à l'acheteur et utilisateur initial.

QU'EST-CE QUE CETTE GARANTIE NE COUVRE PAS?

Cette garantie ne couvre pas les défauts ou les dégâts de l'appareil résultant de travaux de réparation ou de modifications effectués en dehors de notre usine ou de nos centres de réparation autorisés. Elle ne couvre pas non plus les appareils qui ont fait l'objet d'une utilisation abusive, incorrecte ou négligente ou d'accidents. En outre, les dommages indirects ou consécutifs résultant de l'utilisation de ce produit ou d'une rupture de contrat ou de la violation de cette garantie ne sont pas remboursables par cette garantie. Certains états ou provinces n'autorisent pas l'exclusion ou la limitation des dommages indirects ou consécutifs; les restrictions ci-dessus peuvent ne pas s'appliquer à votre cas.

COMMENT OBTENIR DU SERVICE?

S'il faut réparer l'appareil ou obtenir des pièces de rechange, veuillez contacter :

DeLonghi Canada, Inc.  
1040 Ronsa Court  
Mississauga, Ontario L4W 3Y4 Canada  
Ou appelez-nous au : 1-888-335-6644

La garantie ci-dessus remplace toute autre garantie et représentation expresse. Toute garantie implicite est limitée à la période de garantie applicable établie ci-dessus. Cette limitation ne s'applique pas si vous concluez un contrat de garantie prolongée avec DeLonghi. Certains états ou provinces n'autorisent pas les limitations sur la durée d'une garantie implicite; les restrictions ci-dessus peuvent ne pas s'appliquer à votre cas. DeLonghi n'autorise aucune personne ou société à assumer en son nom une responsabilité liée à la vente ou à l'utilisation de ses appareils.

COMMENT S'APPLIQUE LA LOI DE L'ÉTAT OU DE LA PROVINCE?

Cette garantie vous donne des droits juridiques précis et vous pouvez aussi avoir d'autres droits qui peuvent varier d'un état ou province à un autre.

CUT ALONG DOTTED LINE

**PROTECT YOUR INVESTMENT WITH DELONGHI'S EXTENDED SERVICE PLAN**

For your convenience and protection an optional extended service plan is available!

For a small price you can be sure that your appliance is protected. If your product needs repair two years beyond the manufacturer's limited warranty, we will fix it at no cost to you. Note: The motors for the stand mixers and food processors are not covered under this extended service plan.

If you choose to enroll, please detach and fill out this form and mail with payment (check or money order only). Your Extended Service Plan certificate will be sent to you by return mail.

PLEASE PRINT

Name: \_\_\_\_\_

Address: \_\_\_\_\_

City, State and Zip Code: \_\_\_\_\_

**TWO-YEAR EXTENDED SERVICE PLAN**

Stand Mixers .....	\$90.00
Food Processors .....	\$70.00
Mini Food Processor and Chopper .....	\$20.00
Electric Citrus Juicer .....	\$15.00
Electric Food and Cheese Grater .....	\$15.00

MAIL TO:

DeLonghi America, Inc.  
Park 80 West, Plaza One  
Saddle Brook, NJ 07663  
Attn: Consumer Service Dept.

PROTÉGEZ VOTRE INVESTISSEMENT AVEC LE PROGRAMME DE GARANTIE PROLONGÉE

Pour votre tranquillité d'esprit et votre protection, vous pouvez acheter un programme de garantie prolongée!

Pour un coût minime, vous pouvez veiller à ce que votre appareil soit protégé. Si votre produit doit être réparé dans un délai de deux années après la garantie limitée du fabricant, nous le réparerons sans frais pour vous. Remarque : Les moteurs des batteurs sur socle et des robots de cuisine ne sont pas couverts par ce programme de garantie prolongée.

Si vous décidez de l'acheter, détachez et remplissez ce formulaire et envoyez-le avec votre paiement (chèque ou mandat uniquement) par la poste. Votre certificat de programme de garantie prolongée vous sera envoyé par retour du courrier.

EN CARACTÈRES D'IMPRIMERIE, S.V.P.

Nom: \_\_\_\_\_

Adresse: \_\_\_\_\_

Ville, Province et Code postal: \_\_\_\_\_

PROGRAMME DE GARANTIE PROLONGÉE DE DEUX ANS

Batteurs sur socle .....	\$90.00 USD
Robots de cuisine .....	\$70.00 USD
Mini robot de cuisine et hachoir .....	\$20.00 USD
Presse-agrumes électrique .....	\$15.00 USD
Râpe électrique .....	\$15.00 USD

ENVOYEZ À:

DeLonghi America, Inc.  
Park 80 West, Plaza One  
Saddle Brook, NJ 07663  
États-Unis

À l'attention du service à la clientèle



## Free Manuals Download Website

<http://myh66.com>

<http://usermanuals.us>

<http://www.somanuals.com>

<http://www.4manuals.cc>

<http://www.manual-lib.com>

<http://www.404manual.com>

<http://www.luxmanual.com>

<http://aubethermostatmanual.com>

Golf course search by state

<http://golfingnear.com>

Email search by domain

<http://emailbydomain.com>

Auto manuals search

<http://auto.somanuals.com>

TV manuals search

<http://tv.somanuals.com>