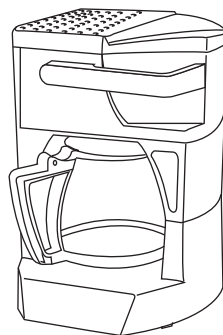


**MACCHINA DA CAFFÉ
COFFEE MAKER
MACHINE À CAFÉ
KAFFEEMASCHINE
KOFFIEZETAPPARAAT
CAFETERA
MÁQUINA DE CAFÉ
ΜΗΧΑΝΗ ΤΟΥ ΚΑΦΕ
ΚΟΦΕΒΑΡΚΑ
ΚÁVÉFŐZŐ GÉP
KÁVOVAR
EKSPRES DO KAWY**



Istruzioni per l'uso

Instructions

Mode d'emploi

Bedienungsanleitung

Gebbruiksaanwijzingen

Instrucciones para el uso

Instruções de utilização

Οδηγίες χρήσης

Инструкции по эксплуатации

Használati utasítás

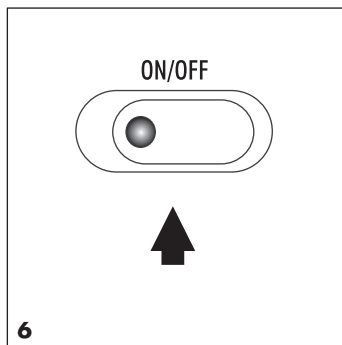
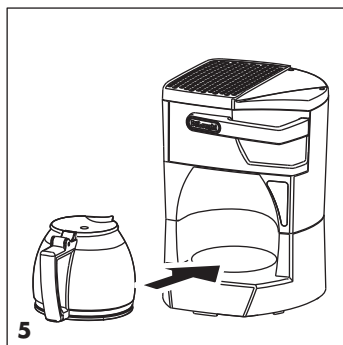
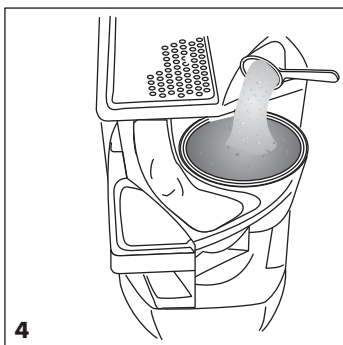
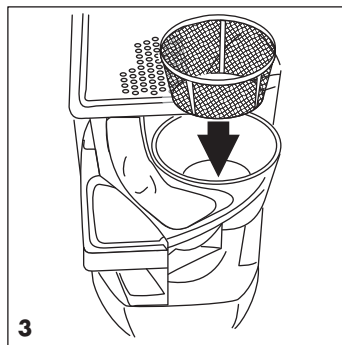
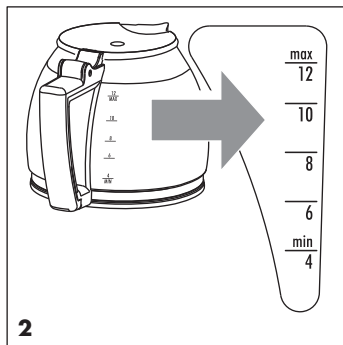
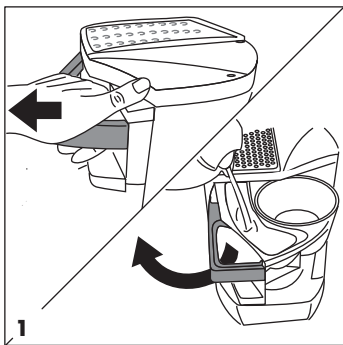
Návod k použití

Instrukcja obsługi

De'Longhi

De'Longhi Appliances
via Seitz, 47
31100 Treviso Italia

PG
ME 10



ELECTRICAL CONNECTION (UK ONLY)

A) If your appliance comes fitted with a plug, it will incorporate a 13 Amp fuse. If it does not fit your socket, the plug should be cut off from the mains lead, and an appropriate plug fitted, as below.

WARNING: Very carefully dispose of the cut off plug after removing the fuse: do not insert in a 13 Amp socket elsewhere in the house as this could cause a shock hazard.

With alternative plugs not incorporating a fuse, the circuit must be protected by a 15 Amp fuse.

WARNING - THIS APPLIANCE MUST BE EARTHED **IMPORTANT**

The wires in the mains lead are coloured in accordance with the following code:

Green and yellow:	Earth
Blue:	Neutral
Brown:	Live



If the plug is a moulded-on type, the fuse cover must be re-fitted when changing the fuse using a 13 Amp Asta approved fuse to BS 1362. In the event of losing the fuse cover, the plug must NOT be used until a replacement fuse cover can be obtained from your nearest electrical dealer. The colour of the correct replacement fuse cover is that as marked on the base of the plug.

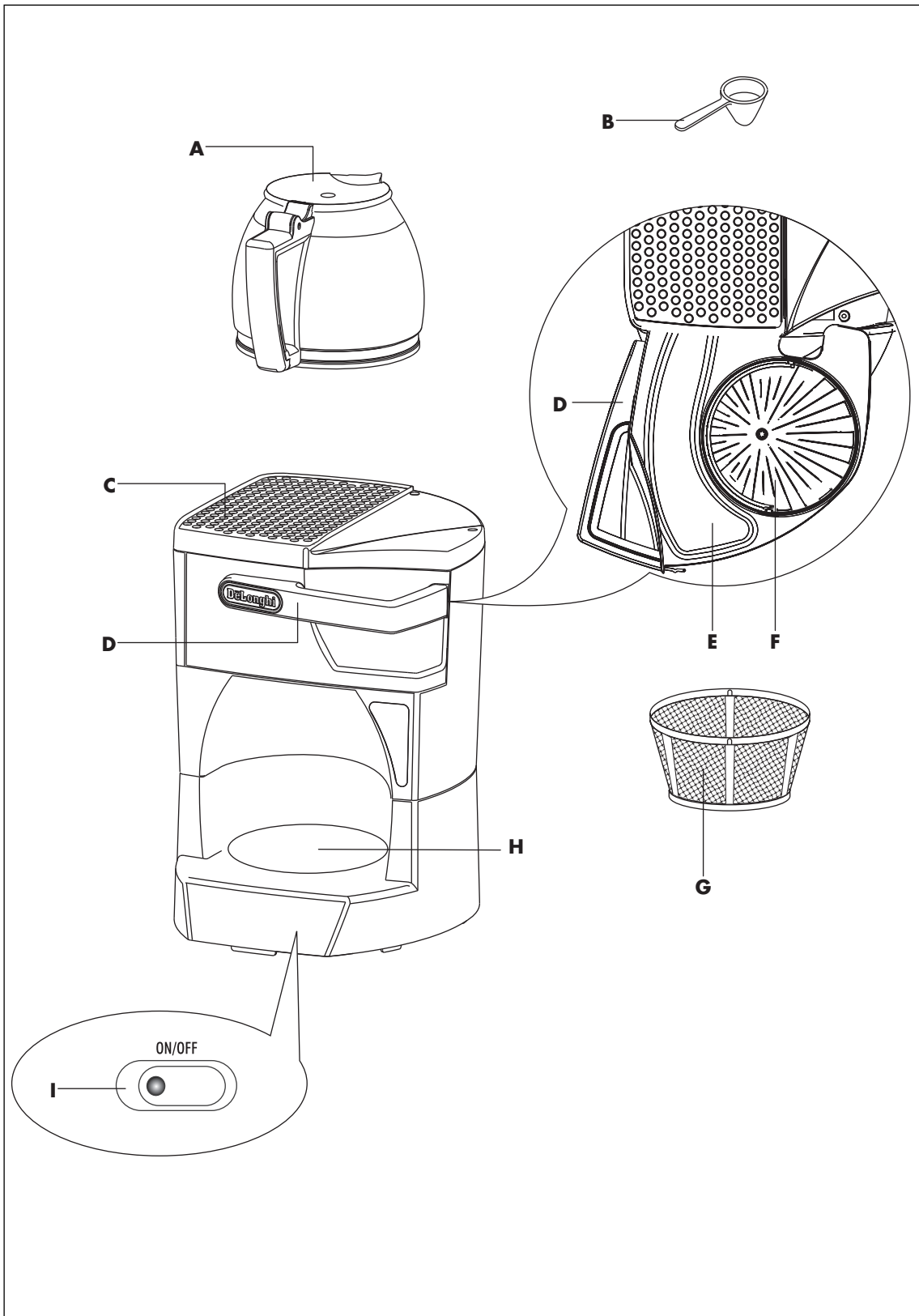
B) If your appliance is not fitted with a plug, please follow the instructions provided below:

As the colours of the wires in the mains lead may not correspond with the coloured markings identifying the terminals in your plug, proceed as follows:

The green and yellow wire must be connected to the terminal in the plug marked with the letter E or the earth symbol \perp or coloured green or yellow.

The blue wire must be connected to the terminal marked with the letter N or coloured black.

The brown wire must be connected to the terminal marked with the letter L or coloured red.



Free Manuals Download Website

<http://myh66.com>

<http://usermanuals.us>

<http://www.somanuals.com>

<http://www.4manuals.cc>

<http://www.manual-lib.com>

<http://www.404manual.com>

<http://www.luxmanual.com>

<http://aubethermostatmanual.com>

Golf course search by state

<http://golfingnear.com>

Email search by domain

<http://emailbydomain.com>

Auto manuals search

<http://auto.somanuals.com>

TV manuals search

<http://tv.somanuals.com>