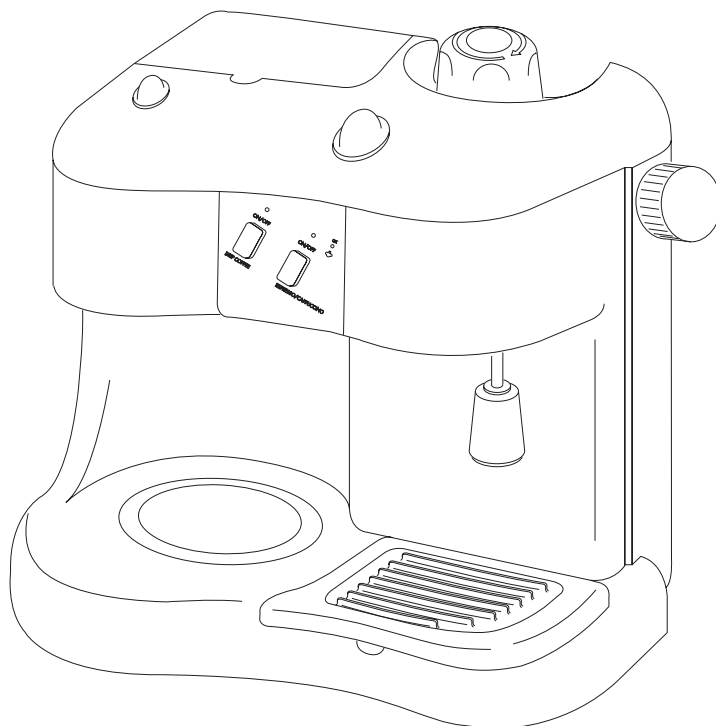
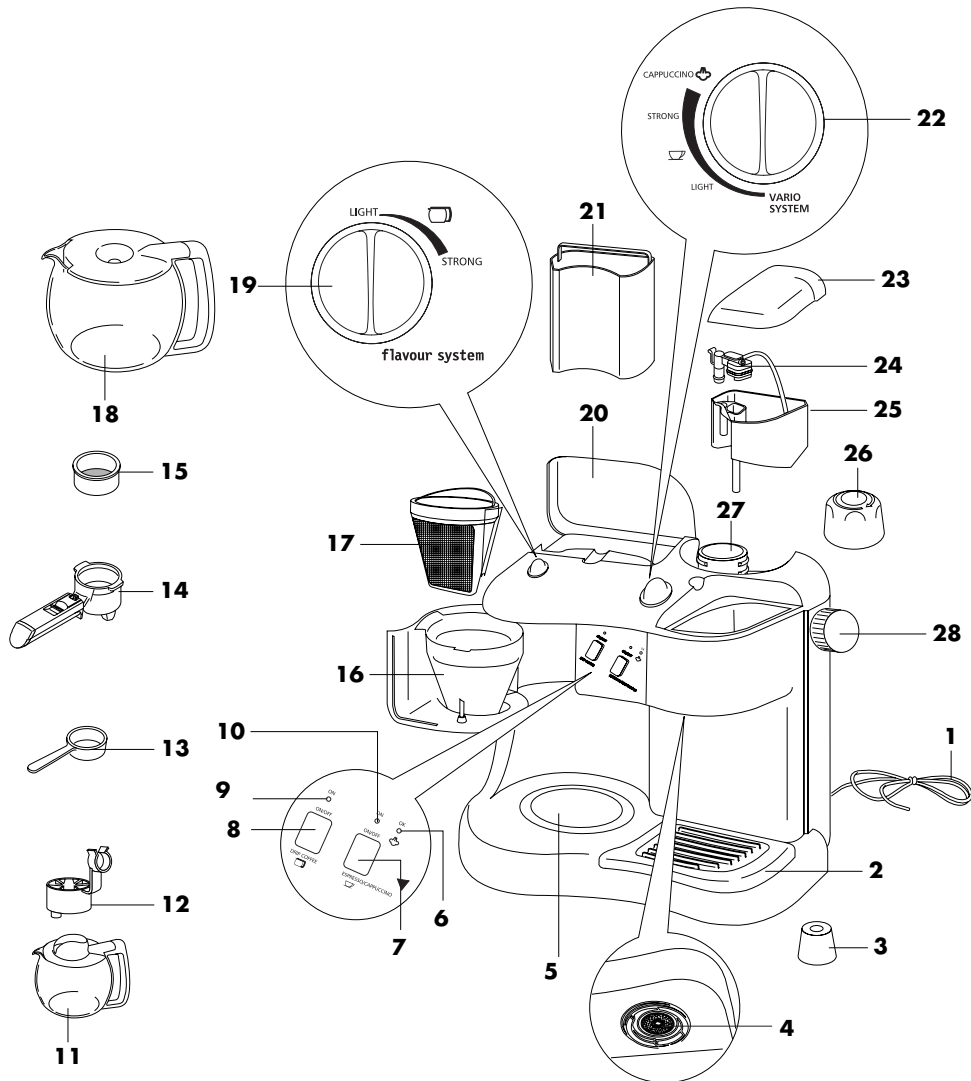


COFFEE MACHINE



INSTRUCTIONS FOR USE



ELECTRICAL CONNECTION

- A) If your appliance comes fitted with a plug, it will incorporate a 13 Amp fuse. If it does not fit your socket, the plug should be cut off from the mains lead, and an appropriate plug fitted, as below.
 WARNING: Very carefully dispose of the cut off plug after removing the fuse: do not insert in a 13 Amp socket elsewhere in the house as this could cause a shock hazard.
 With alternative plugs not incorporating a fuse, the circuit must be protected by a 15 Amp fuse.

- If the plug is a moulded-on type, the fuse cover must be re-fitted when changing the fuse using a 13 Amp Asta approved fuse to BS 1362. In the event of losing the fuse cover, the plug must NOT be used until a replacement fuse cover can be obtained from your nearest electrical dealer. The colour of the correct replacement fuse cover is that as marked on the base of the plug.
 B) If your appliance is not fitted with a plug, please follow the instructions provided below:

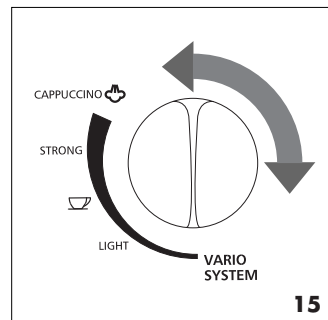
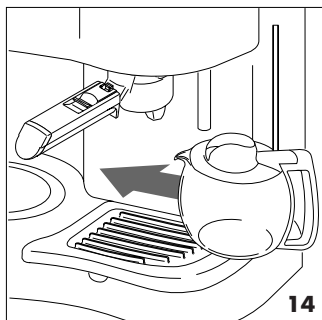
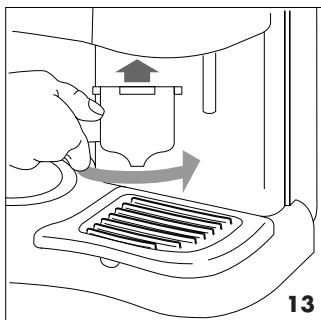
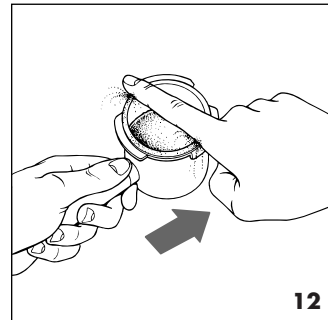
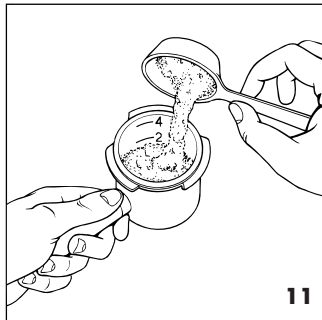
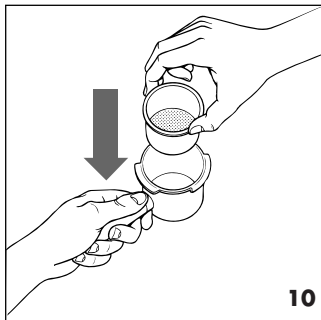
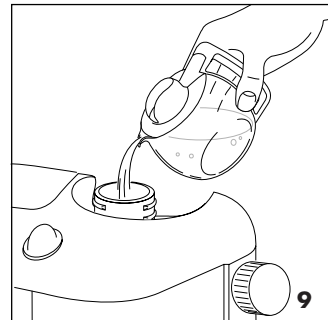
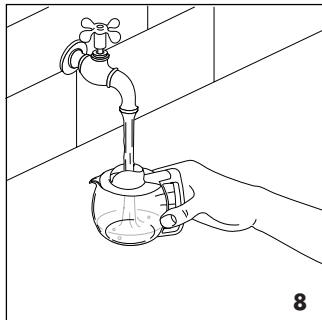
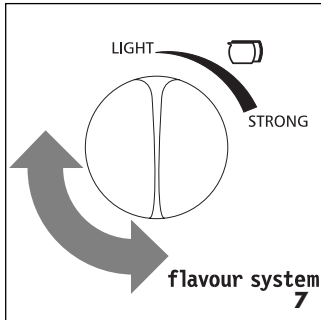
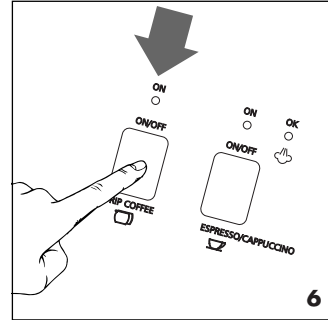
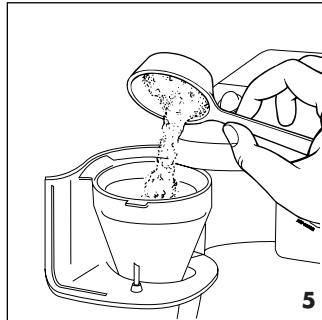
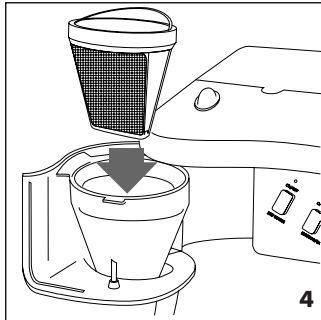
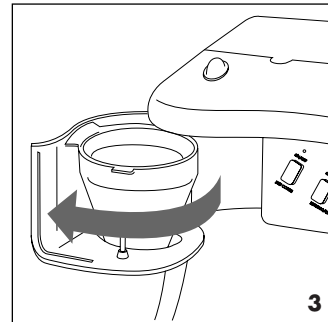
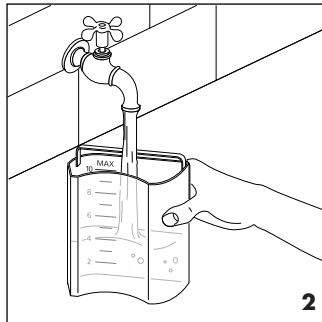
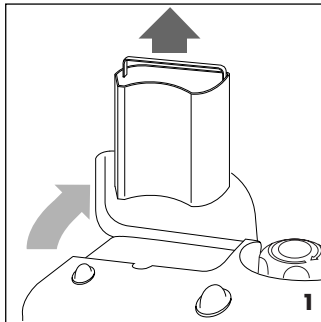
WARNING - THIS APPLIANCE MUST BE EARTHED
IMPORTANT

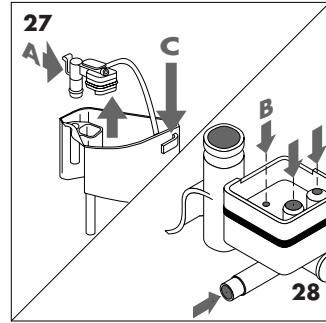
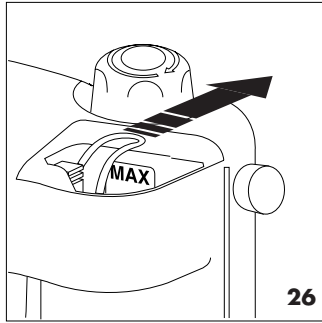
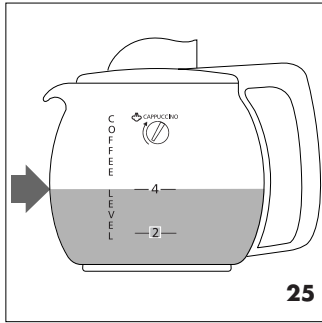
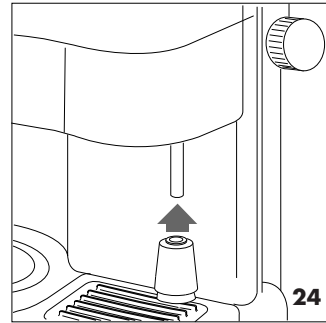
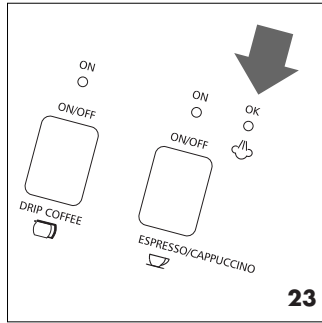
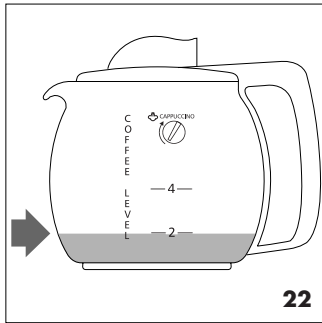
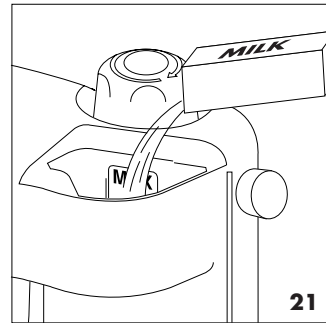
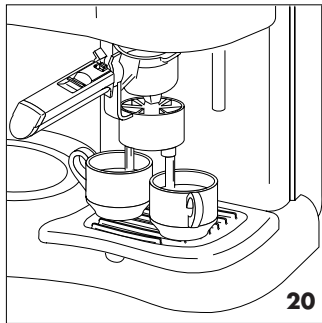
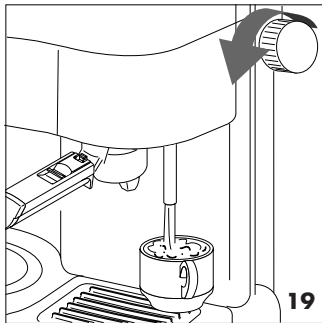
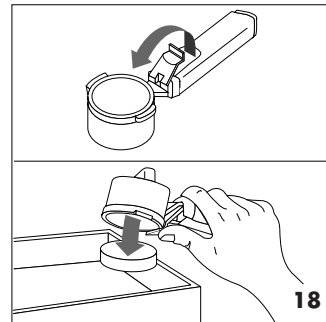
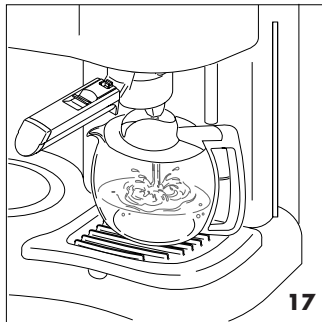
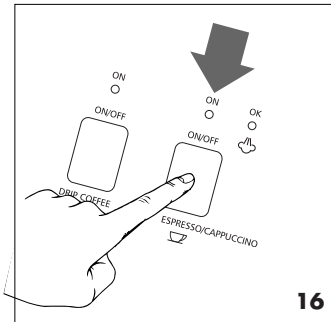
The wires in the mains lead are coloured in accordance with the following code:

- Green and yellow: Earth
- Blue: Neutral
- Brown: Live



As the colours of the wires in the mains lead may not correspond with the coloured markings identifying the terminals in your plug, proceed as follows:
 The green and yellow wire must be connected to the terminal in the plug marked with the letter E or the earth symbol \perp or coloured green or green and yellow.
 The blue wire must be connected to the terminal marked with the letter N or coloured black.
 The brown wire must be connected to the terminal marked with the letter L or coloured red.





ENGLISH

Thank you for choosing this De'Longhi coffee machine. To get the very best out of your new coffee machine it is advisable to read these instructions before installing and using the appliance. This is the only way to ensure optimum results and maximum safety.

DESCRIPTION OF THE APPLIANCE

The following terms are used throughout the instruction manual.

1. Power supply cable
2. Removable drip tray
3. Anti spray nozzle
4. Boiler outlet
5. Warming plate
6. Steam ready OK light
7. ON/OFF espresso/cappuccino switch
8. ON/OFF drip coffee switch
9. ON drip coffee light
10. ON espresso/cappuccino light
11. Small carafe for espresso/cappuccino
12. Two cup attachment for espresso coffee
13. Measuring spoon
14. Filter holder for espresso coffee
15. Filter for espresso coffee
16. Filter holder for drip coffee
17. Permanent gold tone filter
18. Large carafe for filter coffee
19. "Flavour system" filter strength selector knob
20. Lid for the water reservoir
21. Removable water reservoir
22. "Vario system" espresso coffee strength selector knob
23. Lid for milk tank
24. Emulsifier
25. Milk tank
26. Steam boiler cap
27. Steam boiler
28. Steam release knob

SAFETY WARNINGS

- This machine has been built to "make coffee" and to "reheat beverages"; please be careful to avoid burns from the sprays of hot water or steam and avoid any improper use.
- When the appliance is in use, do not touch any of the machine's hot surfaces.
- After unpacking, make sure that the machine is complete and undamaged. If in doubt, do not use the appliance and seek the advice of a qualified service professional.
- This appliance is to be utilised for domestic use only. Any other use is to be considered improper and therefore, dangerous.
- The manufacturer takes no responsibility for damage derived from improper use.
- Never touch the appliance with wet or damp hands.
- Never allow the appliance to be used by children or unfit persons.
- In case of breakdown or malfunctioning, turn the appliance off immediately and do not touch it. For repairs, please contact a Service Centre authorised by the manufacturer. The lack of respect for this point may compromise the safe use of the appliance.
- The user must never replace the power supply cable of this appliance. If the cable should become damaged, or in case it needs to be replaced, please contact a Service Centre authorised by the manufacturer.
- When the appliance is not in use, turn OFF and disconnect the plug from the socket.
- As with any electrical appliance, whilst the instructions aim to cover as many eventualities as possible, caution and common sense should be applied when operating your coffee machine, particularly in the vicinity of young children.

INSTALLATION

- Place the appliance on a flat work surface at a safe distance from taps and sinks.
- Check that the voltage corresponds to that indicated on the appliance rating plate. The appliance must always be connected to a well-earthed socket rated at 10 A minimum. The manufacturer is not liable for damage caused by inadequate earthing of the appliance.
- In the event of incompatibility between the plug on the appliance and the socket, have the plug replaced by a qualified professional. If the cable is damaged or requires replacing, contact a service centre authorised by the manufacturer only.
- Never install the machine in an environment which can reach a temperature of less than or equal to 0°C (if the water inside the machine freezes, the machine might be damaged):

INTRODUCTION TO COFFEE PREPARATION

The coffee machine is designed to make filter coffee, espresso coffee and cappuccino. Filter (drip) coffee is a "long" relatively mild coffee, which can be enjoyed throughout the day. Espresso is a strong dark coffee with a distinctive caramel-coloured froth, known as the "crema". Espresso coffee is best served in small "demi-tasse" cups. Cappuccino is a creamy, smooth coffee which can be enjoyed at any time. The perfect cappuccino is 1/3 espresso, 1/3 hot milk and 1/3 frothed milk.

USING THE FIRST TIME

Before making coffee for the first time it is necessary to wash all of the accessories and the internal circuits of the machine as follows:

- **for the filter coffee** - make at least two carafes of coffee, without using the ground coffee in the filter (follow the instructions in the paragraph "How to prepare filter coffee").
- **For the espresso coffee** - make at least four cups of espresso coffee without using ground coffee in the filter (follow the instructions in the paragraph "How to prepare espresso coffee").

HOW TO PREPARE FILTER (DRIP) COFFEE

- Raise the lid and remove the water reservoir (fig. 1).
- Fill the tank with cold, clean water, up to the level indicated on the tank corresponding to the number of cups of coffee that are desired (fig. 2).
- Replace the tank into the machine by pressing down firmly. *If desired, the tank can be left in the machine and the large carafe can be used to fill it with water. The carafe also has water level indicators on it.*
- Open the filter holder by turning it towards the left (fig 3) using the plastic tab under "open".
- Place the permanent filter, into the filter holder (fig. 4).
- Put the ground coffee into the filter by using the measuring spoon included with the machine and level off the grounds evenly (fig. 5). As a general rule, use one level measuring spoonful of coffee (about 7 grams) for each cup of coffee (for example, use 10 measures to make 10 cups of coffee). In any case, the quantity of ground coffee to use can vary according to the strength desired and personal taste. Use high quality ground coffee, with a medium grind produced for filter coffee makers.
- Close the filter holder and place the large carafe complete with lid onto the warming plate.
- Select the filter coffee strength by turning the "Flavour system" knob (fig 7). The coffee can be programmed for a strong aftertaste (STRONG position) or a weaker flavour (LIGHT position). The "Flavour system" feature changes the aftertaste of the coffee, while the true taste of the coffee remains unchanged.
- Press the "ON/OFF" switch for drip coffee (fig. 6). The ON/OFF indicator light for drip coffee above the switch itself indicates that the filter machine is functioning properly.
- The brewed coffee will begin to drip out after a few seconds. **It is completely normal that during the percolation of the coffee, some steam may escape from the machine.**
- If the "ON/OFF" switch for drip coffee is pressed after the percolation, and the carafe is

on the warming plate, the coffee will be maintained at an ideal drinking temperature.

HOW TO PREPARE ESPRESSO COFFEE

1. Unscrew the boiler cap by turning it in an anti-clockwise direction.
2. Using the water level indicators printed on the small carafe (fig. 8) fill with water according to the number of cups of espresso coffee that are required (see the chart page 10).
3. Pour the water into the steam boiler (fig. 9).
4. Replace the boiler cap by turning firmly in a clockwise direction.
5. Insert the filter for espresso coffee into the filter holder (fig. 10).
6. Fill the filter with the ground coffee, using the measures indicated in the chart page 10 and pack it evenly in the filter (fig. 11). It is important to use high quality ground coffee with a **medium** grind in order to avoid blocking the filter during the brewing. Remove any excess coffee from around the edges of the filter (fig. 12).
7. To attach the filter holder to the appliance, position it under the boiler outlet with the handle towards the left (fig 13). Push upwards, and at the same time, turn the handle as far right as possible. It does not matter if the filter holder is not centrally aligned with the machine. It is important that the filter holder is firmly attached to the appliance.
8. Place the small carafe under the filter holder, the filter will slot inside the carafe lid (14).
9. Position the "Vario System" selector knob according to the type of espresso coffee desired: "LIGHT" for a weaker coffee and "STRONG" for a stronger tasting brew (fig. 15).
10. Make sure that the steam release knob on the side of the machine is closed. (eg to close turn in a clockwise direction until tightened)
11. Push the ON/OFF switch for espresso/cappuccino. The ON indicator light for espresso/cappuccino will turn on (fig. 16).
12. After approximately two minutes, the espresso coffee will begin to flow out (fig. 17).

ATTENTION: to avoid spraying, do not detach the filter holder while the machine is brewing coffee.

13. When the coffee no longer flows out from the filter holder, push the espresso/cappuccino ON/OFF switch to turn off the steam boiler (fig. 16). The coffee can then be served into cups.
14. To remove the used coffee in the filter, detach the filter holder, from the machine hold the filter in place with the special lever incorporated on the handle and let the coffee fall out by turning the filter holder upside down and knocking gently. (fig. 18).

NOTE:

Before removing the filter holder, it is important to eliminate all of the residual steam from inside the steam boiler. Allow the steam to blow out completely by rotating the steam release knob in an anti-clockwise direction (fig 19).

NOTE:

For safety reasons, when the steam boiler is hot, it is not possible to remove the steam boiler cap this is a safety feature. If for any reason it is necessary to remove it, it is important always to release the steam in the steam boiler by turning the steam release knob.

HOW TO USE THE TWO CUP ATTACHMENT

The attachment must be used every time coffee is dispensed directly into a cup. To mount it, simply insert the attachment into the lower part of the filter holder (fig 20).

HOW TO PREPARE CAPPUCCINO

- Prepare the espresso coffee as described in the paragraph "How to prepare espresso coffee" from points 1 to 12; using the quantity of water required to obtain 2 cappuccinos as indicated in the chart page 10. Note that the quantity of water required for making cappuccinos is greater than the amount necessary for making espresso coffee: the extra water is used for producing steam for frothing the milk.
- Pour cold milk into the milk tank (fig. 21). For a really good froth try using semi-skimmed milk at refrigerator temperature. With the tank filled to the MAX line, there will be enough milk to make 2 or 3 cappuccinos. Never fill beyond the MAX line otherwise once the cappuccino

has been made, the milk may continue to drip out of the tube.

- Brew the coffee into the small espresso carafe as paragraph "How to prepare espresso coffee". When the coffee reaches level 2 on the side of the small espresso carafe (fig. 22), turn the Vario System selector to "cappuccino" (fig. 15). If you allow too much coffee to come through at this point there will not be enough steam left to make the steam for frothing the milk.
- Pour the coffee into 2 large cups.
- Place the cup containing the coffee under the tube of the milk tank, wait for the "ok" light (fig. 24) to come on, this indicates that the ideal temperature has been reached for frothing the milk, then turn the steam release knob in an anti-clockwise direction. The frothed milk will come out the tube of the milk tank (fig. 19). To keep the milk from spraying it is necessary to attach the anti-spray nozzle (fig. 24) onto the tube of the milk tank. This is also useful when the cups used for the cappuccino are quite small.
- Fill the cup with the desired quantity of frothed milk. **To ensure that the milk froths properly, always wait for the "OK" warning light to come on before frothing milk for each cappuccino.**
- Attention: after the last cappuccino has been prepared, before turning the coffee maker off, lift the suction tube of the milk tank above the level of any remaining milk (as indicated in Fig. 26) and allow the steam to come out for a few seconds. With the tube out of the milk close the steam knob. **For hygiene reasons, it is recommended that this operation is carried out to prevent any milk from going sour in the internal circuits of the coffee maker.**
- Press the ON/OFF switch for espresso/cappuccino to turn off the appliance.
- In order to make 4 cappuccinos, it is necessary to repeat the previous operation, paying attention to the quantity of ground coffee and water, indicated in the chart on page 10.
- To make the perfect cappuccino, we recommend the following proportions: 1/3 espresso, 1/3 hot milk and 1/3 frothed milk.

TIPS

When making a number of cappuccinos, to obtain a higher temperature you should prepare one cup at a time and then fill it immediately with the frothed milk rather than prepare all the cups of coffee at once then fill them with the frothed milk.

CLEANING AND MAINTENANCE

- Before beginning any cleaning or maintenance, turn the machine off, remove the plug from the electrical socket and allow the machine to cool down.

CLEANING THE MILK FROTHER (EMULSIFIER)

The cleaning operation for the milk frother must be done after each use. Proceed as follows:

- Remove the milk tank by pressing lever C and pulling upwards (fig 27). Wash it in hot, soapy water.
 - Remove the emulsifier by pressing down on lever A and at the same time, pulling upwards (fig 27). Remove the rubber mixer, rinse it and clean it thoroughly with hot water. Ensure that the small holes in the upper part of the emulsifier are not blocked. If this procedure is not followed the milk will be poorly frothed or not drawn out of the tank.
- Make sure that the hole marked with the arrow B has not been clogged (fig 28) (clean with a needle).
- Once clean, all of the pieces must be reassembled in the correct order. In particular, make sure that the rubber mixer has been inserted properly all the way down and that the milk tank and the emulsifier have been inserted all the way until a click is heard.

OTHER CLEANING PROCEDURES

- To clean the machine, do not use solvents or abrasive detergents. A soft damp cloth should be used to clean the surfaces.
- Regularly clean the filter holder, the removable drip tray, the boiler outlet, and the carafe. Do not wash the filter holder in the dish washer.
- Never immerse the machine in water: it is an electrical appliance.
- From time to time check that the holes in the fil-

ter for espresso coffee are not obstructed. If necessary, carefully clean the filter with hot water, scrubbing with an abrasive pad.

- To rinse the appliance, operate the machine with plain water and without using ground coffee at least 3 times (3 full tanks of water).

DESCALING

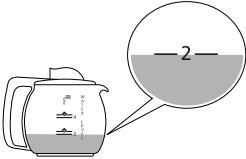
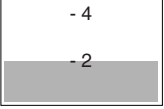
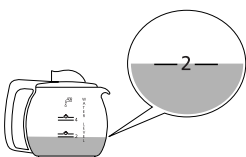

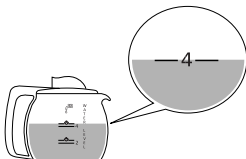
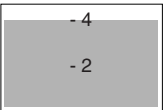
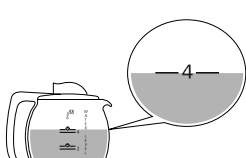
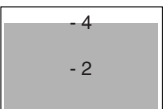
If the water in your area is quite hard, the calcium from this water can accumulate and reduce the machine's efficiency.

The **espresso coffee machine** must be decalcified every 1-3 months (depending on the hardness of the water and the frequency of use) using white wine vinegar. Proceed as follows:

- Fill the carafe for espresso coffee with vinegar to level 4 of the 'water level' side.
- Pour the vinegar into the steam boiler and replace the cap.
- Attach the filter holder.
- Place the small carafe under the filter holder;
- Turn the machine on and position the Vario System selector to the "LIGHT" position.
- After a few minutes, the hot vinegar will begin to flow, through the filter holder, into the carafe. Release some steam every so often by turning the steam release knob.
- When all of the solution has gone through the machine, turn off the appliance and let it cool down.
- Repeat these operations at least two times using clean water instead of vinegar to remove every trace of vinegar left in the circuits.

The filter **coffee machine** must be decalcified every 40 cycles. Descaling can be done by using special lime scale solvents made for filter coffee machines. Alternatively, white wine vinegar can be used, following this procedure:

- Pour two cups of white wine vinegar and three cups of water into the tank.
- Place the large carafe onto the hot plate but leave the filter empty.
- Press the ON/OFF drip coffee switch, filter the equivalent of a cup of the solution and then turn off the appliance.
- Allow the vinegar to sit in the machine for an hour.
- Turn the machine back on and allow the rest of the solution to filter through the circuits.

To make	Water required for espresso/cappuccino (small carafe)	The quantity of ground coffee to put into the filter
Two espressos		
Two cappuccinos		
Four espressos		
Four cappuccinos		

PROBLEM SOLVING

Problem	Cause	Solution
Espresso coffee no longer drips out	The coffee has been ground too finely The hole in the spout of the filter holder is clogged The filter is obstructed	Use coffee with a medium grind or the kind made for espresso coffee Clean the hole in the filter holder Clean the filter with hot water, scrubbing with an abrasive pad
The milk froth does not form properly when making cappuccinos	The milk is not cold enough The steam nozzle is dirty	Always use milk cold from the refrigerator Carefully clean the holes of the steam nozzle.
The filter time of the coffee is longer than expected	The filter is plugged with limescale	Proceed with the decalcification operation as described in the paragraph "Descaling"
The coffee has an vinegary aftertaste	The machine has not been rinsed adequately	Thoroughly rinse the appliance as described in the chapter "Descaling"

Free Manuals Download Website

<http://myh66.com>

<http://usermanuals.us>

<http://www.somanuals.com>

<http://www.4manuals.cc>

<http://www.manual-lib.com>

<http://www.404manual.com>

<http://www.luxmanual.com>

<http://aubethermostatmanual.com>

Golf course search by state

<http://golfingnear.com>

Email search by domain

<http://emailbydomain.com>

Auto manuals search

<http://auto.somanuals.com>

TV manuals search

<http://tv.somanuals.com>