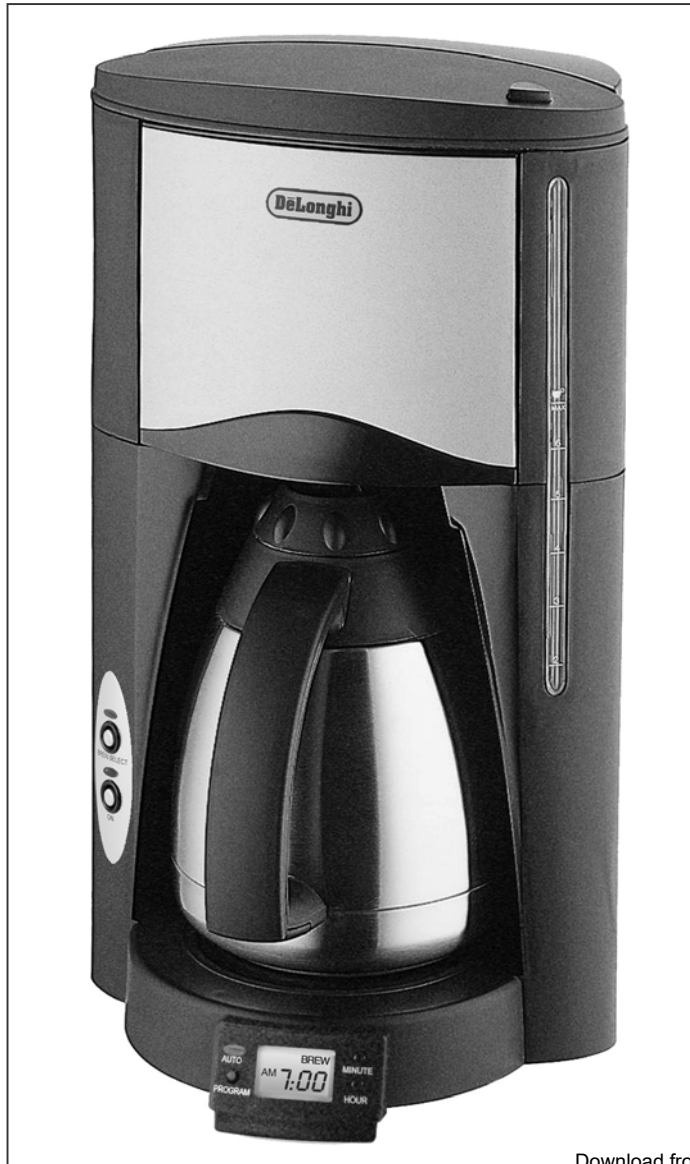




DC 78 TC

DeLonghi thermal carafe 8 cup coffee maker with digital timer and auto shut-off



IMPORTANT SAFEGUARDS

When using electrical appliances, to reduce the risk of fire, electric shock, and/or injury to persons basic safety precautions should always be followed, including the following:

1. Read all instructions carefully.
2. Do not touch hot surfaces. Use handle or knobs.
3. To protect against electric shock, do not place cord, plug or coffee maker in water or other liquid.
4. Close supervision is necessary when any appliance is used by or near children.
5. Unplug from outlet when not in use and before cleaning. Allow to cool before putting on or taking off parts, and before cleaning the appliance.
6. Do not operate any appliance with a damaged cord or plug or after the appliance malfunctions or has been damaged in any manner. Return appliance to authorized service facility for examination, repair or adjustment.
7. The use of accessory attachments not recommended by manufacturer may cause injuries.
8. Do not use outdoors.
9. Do not let cord hang over edge of table or counter, or touch hot surfaces.
10. Do not place on or near hot gas or electric burner, or in a heated oven.
11. Always plug cord into the wall outlet before turning on any controls. To disconnect turn power control to OFF, then remove plug from wall outlet.
12. Always use cold water to make coffee. Warm water or other liquids could cause damage to the coffee maker.
13. Scalding may occur if the cover is lifted or removed during the brewing cycle.
14. Do not use this appliance for other than intended use.

WARNING – To avoid damage of, or injury from carafe follow these precautions:

- Never use the carafe on a range top or in a microwave oven.
- Do not allow liquid to evaporate from carafe. Do not heat carafe.
- Discard carafe if damaged in any manner, or a carafe having a loose or weakened handle. A chip or crack could result in breakage or

- contaminate liquid contents with particles.
- ❑ Do not clean carafe with scouring powders, steel wool pads or other abrasive materials.
- ❑ This carafe is designed for use with this coffee maker only.

**SAVE THESE INSTRUCTIONS
NO USER MAINTENANCE
RETURN TO SERVICE STATION
HOUSEHOLD USE ONLY**

SAFETY FEATURES

1. A short power supply cord is provided to reduce the hazards resulting from entanglement or tripping over a longer cord.
2. An extension cord may be used if care is exercised in its use.
3. If an extension cord is used, the marked electrical rating of the extension cord should be at least as great as the electrical rating of the appliance. The extension cord should be arranged so that it does not drape over the counter or table-top where it can be pulled on by children or tripped over accidentally. The electrical rating of the coffee maker is listed on the bottom panel of the unit.
4. This appliance has a polarized alternating current plug (one blade is wider than the other). To reduce the risk of electric shock, as a safety feature, this plug will fit in a polarized outlet only one way. If the plug does not insert fully in the outlet, reverse the plug. If it still fails to fit, contact a qualified electrician to replace the obsolete outlet. **DO NOT ATTEMPT TO DEFEAT THIS SAFETY FEATURE.**

COFFEE MAKER FEATURES

Electrical Type



FEATURES

❑ 2 Hour Automatic Shut-Off

For safety, this coffee maker has been designed with an auto shut-off feature. The coffee maker shuts off automatically 2 hours after the brewing cycle is completed, in both the regular and auto-start modes. To restart simply press the Power Button until "On" Light illuminates.

❑ Pause & Serve

Allows you to interrupt the brewing cycle and pour a cup of coffee before the entire carafe is finished brewing. To restart the brewing process, return carafe to carafe plate and coffee will automatically begin flowing through filter basket. Make sure carafe is placed all way on the carafe plate.

CAUTION: DO NOT REMOVE CARAFE FOR LONGER THAN 30 SECONDS OR THE FILTER BASKET MAY OVERFLOW.

❑ Clock/Timer Digital Display

The 24 hour digital clock built into the face of the coffee maker will keep the correct time, even after the unit has been shut off. Timer can be programmed up to 24 hours in advance to automatically start brewing fresh, hot coffee. (see section "Delaying the brewing cycle")

❑ Water Window

Large easy-to-read numbers indicate how many cups of water have been poured into the coffee maker.

❑ On Light

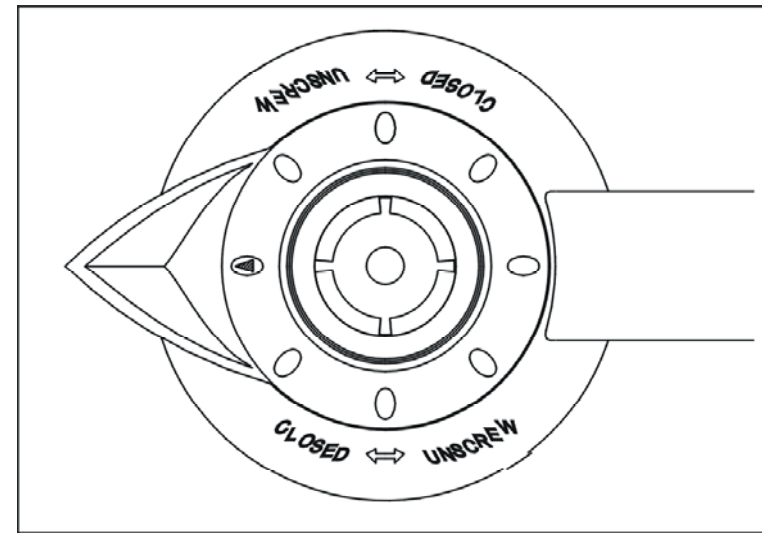
On Light lets you know when the coffee maker is on for safe operation.

❑ Brew Select - Switch can make coffee more delicious. This option works especially well when making less than a full carafe of coffee.

❑ Thermal carafe

There are three lid positions on the thermal carafe. You will see the markings on the edge of the lid.

1. For brewing, the arrow should point to the "closed" position. Even after brewing is finished, it is recommended that you keep the lid in the closed



position to retain heat of the coffee.

2. When the arrow points toward the center of the spout, the lid is in pouring position.
3. To remove the lid, move the arrow towards the "unscrew" position.

❑ Cord Storage

Hidden cord storage allows you to hide excess cord for neat appearance.

❑ Swing Away Basket

Filter door swings for convenient filling with the push of a button.

❑ Black Lined Cone Filter Basket

Cone shaped filter basket enriches flavor and prevents bitter taste. This coffee maker includes a permanent nylon filter. Alternatively, a standard #4 cone shaped paper filter can be used.

USING YOUR COFFEE MAKER'S CONTROLS

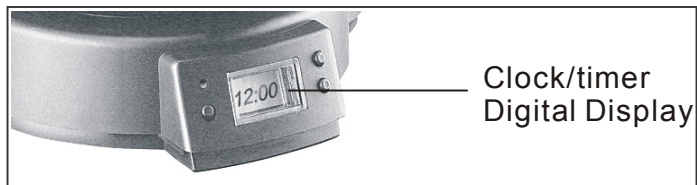
- ❑ **Clock/Timer Digital Display** - Clock with AM/PM indicator.
- ❑ **Hour Advance** - This button advance the hour display for the clock and timer. See the section on "How to set the Clock" for proper use.
- ❑ **Minute Advance** - This button advances the minute display for the clock and timer. See the section on "How to set the Clock" for proper use.

- ❑ **Program** - This button allows you to program the coffee maker up to 24 hours before the desired brewing time. See the section on “Delaying the Brewing Cycle” for proper use.
- ❑ **“On” Light** - This button indicates that power is going to the coffee maker, and the coffee maker is in normal operating stage.
- ❑ **Auto Start Light** - This button indicates the coffee maker is in delayed brewing cycle stage, awaiting preset brew time.
- ❑ **“On” Button** - This button controls three power modes: ON/OFF /AUTO. The OFF mode does not have a light indicator. Press once for AUTO setting, twice for ON, and a third time shuts the unit off.

HOW TO SET THE CLOCK

To set the correct time of day, first press the Hour Advance Button until the correct hour has been reached. Then, press the Minute Advance Button until the correct minutes have been reached. Use the AM/PM indicator on the left side of the digital read out when setting the time.

NOTE: Unplugging the unit will reset the clock to 12:00.



DELAYING THE BREWING CYCLE

To preset your coffee maker to brew at a later time first verify that the clock is set to the correct time. See section on “How to Set the Clock”.

Press and hold the Program Button. While continuing to hold the Program Button, press the Hour Advance Button until the desired brew time hour is reached. Then press the Minute Advance Button until the desired minute has been reached. The AM and PM indicators are on the left side of the digital clock readout. Release the Brew Preset Button.

Press the Power Select Button once. The Auto Start Light will illuminate, indicating that the coffee maker is waiting for the preset brew time to be reached before it will begin the brewing cycle.

Note: If the “ON” Button is pressed once for AUTO before presetting time with the PROGRAM button, brew select feature will NOT activate.



HOW TO USE YOUR COFFEE MAKER

PREPARING YOUR COFFEE MAKER FOR USE

- ❑ Carefully unpack the coffee maker and remove all packaging materials.
- ❑ Before making coffee in your coffee maker, thoroughly clean the carafe, carafe lid and filter basket with warm, soapy water. Rinse and dry. Do not use harsh or abrasive cleaners.
- ❑ You may wipe the carafe plate with a clean, damp cloth. However, do not immerse the coffee maker in water or other liquid.
- ❑ Prior to brewing your first pot of coffee, operate coffee maker once or twice with water but without ground coffee or a paper filter. This will remove any dust that may have settled inside the coffee maker, which might affect the flavor of coffee.

IMPORTANT: Use cold water for best results.

PREPARING COFFEE MAKER FOR BREWING COFFEE

- ❑ Place your coffee maker on a flat, level surface away from any edge.
- ❑ Plug the unit into a 120 volt 60 Hz AC only outlet.

- The lid of the carafe must be placed properly on the carafe during the brewing process and the carafe must be set on the carafe plate.
- The filter basket door must be properly closed during brewing process.

CAUTION: If the filter basket door is not completely closed, the Pause & Serve feature will not function properly. It could cause hot water or hot coffee to overflow.

Filling the water reservoir

- Open the hinged water reservoir cover located at the top of the coffee maker. Fill the carafe with the desired amount of cold water (Fig. 1). Empty the water from the carafe into the water reservoir. The water window indicates how much water is in the container. Close the hinged lid. Place the carafe with the lid in place on the carafe plate.

NOTE: The amount of brewed coffee after the brewing process will always be slightly less than the amount of water placed into the coffee maker, since some water is absorbed by the coffee ground and filter. Add a little extra water at the beginning so that you have the exact number of cups desired.

PUTTING IN THE COFFEE

- Swing the filter basket door outward to your left. Lift out removable filter basket. Place permanent filter or a #4 cone-shaped paper filter into the filter basket. Fill the filter with the required amount of coffee (Fig. 2). After brewing cycle, empty the grounds and rinse thoroughly with water.
- Place the desired amount of ground coffee into the filter. According to coffee industry standards, use one standard coffee measure (2 level tablespoons) of grounds for each six ounces of water. After using your coffee maker several times, the amount of coffee may be adjusted to suit your particular taste by decreasing or increasing the amount of coffee used.

NOTE: Be sure to use coffee grounds prepared specifically for

automatic drip coffee makers.

- Return the filter basket with the filled filter to the door. Be sure the filter basket is seated properly in the door. Swing the door closed and snap into place.

CAUTION: Do not operate your coffee maker if the door does not close completely. If the door does not close completely, check to see that the filter basket is properly sealed, and snap door into place.

- Press the Power Select Button. Auto Start Light will go on. Press the Power Button again, then the On Light will go on indicating that the coffee maker has begun the brewing cycle.
- In a few minutes the coffee maker will complete the brewing cycle and then shut off. The thermal carafe will keep the coffee hot.

HINTS FOR GREAT TASTING COFFEE

- A clean coffee maker is essential for making great tasting coffee. Regular cleaning, as specified in "Cleaning your Coffee Maker" is highly recommended.
- Always use fresh, cold water in your coffee maker.
- Fine grind coffee promotes fuller extraction and provides rich, full-tasting coffee. Regular grind will require slightly more coffee grounds per cup to provide the strength of a finer grind.
- Store coffee in a cool, dry place. Once coffee has been opened, keep it tightly sealed in the refrigerator to maintain freshness.
- For optimum coffee, buy whole beans and grind them just before brewing.
- Do not re-use coffee grounds since this will greatly impair coffee flavor.
- Reheating coffee is not recommended. Coffee is at its peak flavor immediately after brewing.
- Small oil droplets on the surface of brewed black coffee is due to the extraction of oil from the coffee grounds. Oiliness may occur more frequently if heavily roasted coffees are used. Over extraction may also cause oiliness, indicating a need to clean your coffee maker.

CLEANING YOUR COFFEE MAKER

CAUTION: Always make sure coffee maker is unplugged before attempting to clean. To protect against electric shock, do not immerse cord, plug or unit in water or other liquid.

- The outside of your coffee maker can be cleaned by wiping the surface with a damp, soft cloth.

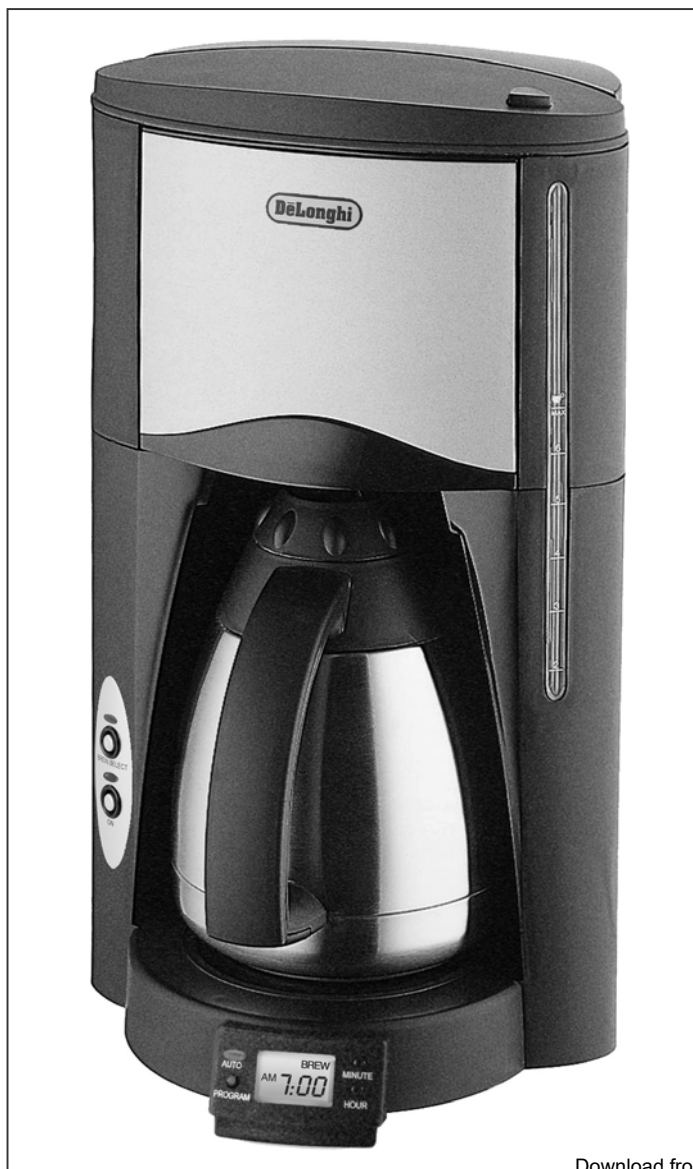
IMPORTANT: Never immerse the coffee maker in water or other liquid.

- Carafe can be cleaned with a wash cloth and mild soap. Do not use harsh abrasives or scouring pads.
- Carafe lid and removable filter basket may be washed with warm, soapy water or placed in the top rack of the dishwasher. Do not place any other parts of the coffee maker in the dishwasher.
- To clean the permanent filter, empty the grounds and rinse thoroughly.
- Do not clean the inside of the water reservoir with a cloth as the cloth may have a lint residue that could clog the coffee maker.
- For stubborn stains, use a nylon or plastic pad with a non-abrasive cleaner. Do not use metal scouring pads or abrasive cleansers.
- Calcium deposits may build up in the coffee maker as a result of minerals commonly found in drinking water. The build-up is normal and may result in a slow down of the coffee maker's brewing time. The slow down can be eliminated by periodically decalcifying the coffee maker.
- To decalcify, fill the carafe with cold water and two tablespoons of white vinegar. Pour the solution into the water reservoir, then close the lid. Place the carafe on the carafe plate and allow the coffee maker to brew the vinegar solution. While decalcifying, do not use a filter in the filter basket. When the vinegar solution has finished brewing, empty the carafe and rinse it out with cold water. Refill the water reservoir with cold water only and run another brew cycle to remove any remaining vinegar solution. Repeat if necessary.



DC 78 TC

Cafetière DeLonghi à verseuse isolante de 8 tasses, à minuteur numérique et à arrêt automatique



PRÉCAUTIONS IMPORTANTES

Pour réduire les risques d'incendie, d'électrocution et/ou de blessures lorsque vous utilisez des appareils électriques, respectez toujours des précautions élémentaires, y compris les précautions suivantes :

1. Lisez soigneusement toutes les instructions.
2. Ne touchez pas les surfaces chaudes. Utilisez les poignées ou les boutons.
3. Pour vous protéger des électrocutions, ne plongez pas le cordon, la fiche ou la cafetière dans l'eau ou dans un autre liquide.
4. Une surveillance attentive est nécessaire lorsque l'appareil est utilisé en présence d'enfants.
5. Débranchez la cafetière de la prise électrique lorsqu'elle n'est pas en service ou avant de la nettoyer. Laissez-la refroidir avant d'y replacer ou d'en retirer des pièces et avant de la nettoyer.
6. N'utilisez aucun appareil qui a été endommagé, dont la fiche ou le cordon électrique est abîmé ou dont le fonctionnement est anormal. Retournez l'appareil à un centre de réparation autorisé pour y être examiné, réparé ou réglé.
7. L'utilisation d'accessoires non recommandés par le fabricant peut entraîner des blessures.
8. Ne l'utilisez pas à l'extérieur.
9. Ne laissez pas le cordon électrique pendre sur le côté d'une table ou d'un comptoir et ne le laissez pas toucher des surfaces chaudes.
10. Ne la placez pas à proximité d'un brûleur électrique ou à gaz chaud ou dans un four chaud.
11. Branchez toujours le cordon dans la prise électrique murale avant d'allumer les commandes. Pour débrancher la cafetière, éteignez-la d'abord (en position OFF) puis débranchez la fiche de la prise murale.
12. Utilisez toujours de l'eau froide pour faire du café. De l'eau tiède ou d'autres liquides pourraient endommager la cafetière.
13. Vous risquez de vous ébouillanter si le couvercle est soulevé ou retiré pendant le cycle d'infusion.
14. N'utilisez pas cet appareil à des fins autres que son utilisation prévue.

MISE EN GARDE – Observez ces précautions pour éviter

de vous blesser avec la verseuse ou de la casser.

- ❑ N'utilisez jamais la verseuse sur une cuisinière ou dans un four à micro-ondes.
- ❑ Ne permettez pas au liquide de s'évaporer de la verseuse. Ne chauffez pas la verseuse lorsqu'elle est vide.
- ❑ Jetez la verseuse si elle est endommagée ou si sa poignée est lâche ou abîmée. Une verseuse ébréchée ou fissurée pourrait se casser ou contaminer son contenu liquide.
- ❑ Ne nettoyez pas la verseuse avec des poudres à récurer, des tampons métalliques ou d'autres matériaux abrasifs.
- ❑ Cette verseuse est conçue exclusivement pour cette cafetière.

**CONSERVEZ CES INSTRUCTIONS.
AUCUN ENTRETIEN NÉCESSAIRE PAR L'UTILISATEUR
RETOURNEZ AU CENTRE DE RÉPARATION.
RÉSERVÉE À L'UTILISATION MÉNAGÈRE.**

DISPOSITIFS DE SÉCURITÉ

1. Le cordon électrique est court pour réduire les risques d'entortillement et de trébuchement associés à un cordon électrique plus long.
2. Un prolongateur peut être utilisé s'il est utilisé avec soin.
3. En cas d'utilisation d'un prolongateur, son régime électrique devrait être au moins aussi grand que celui de l'appareil. Le prolongateur devrait être disposé afin qu'il ne pende pas du comptoir ou de la table là où il pourrait être tiré par des enfants ou faire trébucher quelqu'un par accident. Le régime électrique de la cafetière est inscrit sur le panneau inférieur de l'appareil.
4. Cet appareil possède une fiche polarisée pour courant alternatif (une branche est plus large que l'autre). Pour réduire les risques d'électrocution et à titre de sécurité, cette fiche ne peut être insérée que d'une seule façon dans une prise murale. Si elle ne s'insère pas complètement dans la prise murale, inversez la fiche. Si elle ne s'insère toujours pas, contactez un électricien qualifié pour faire remplacer la prise obsolète. **N'ESSAYEZ EN AUCUN CAS DE MODIFIER LES BRANCHES.**

CARACTÉRISTIQUES DE LA CAFETIÈRE

Commande manuelle



FONCTIONS

❑ Arrêt automatique après 2 heures

Pour votre sécurité, cette cafetière a été conçue avec une fonction d'arrêt automatique. La cafetière s'éteint automatiquement 2 heures après la fin du cycle de préparation, en mode normal et en mode à démarrage automatique.

Pour la rallumer, appuyez sur l'interrupteur jusqu'à ce que le voyant de fonctionnement s'allume.

❑ Pauser et Servir

Vous permet d'interrompre le cycle d'infusion et de verser une tasse de café avant que la verseuse soit remplie. Pour redémarrer le cycle d'infusion, replacez la verseuse sur la plaque de la verseuse et le café commencera automatiquement à couler au travers du panier à filtre.

Veillez à placer la verseuse complètement sur la plaque de la verseuse.

ATTENTION : SI VOUS RETIREZ LA VERSEUSE DE LA PLAQUE DE LA VERSEUSE PENDANT PLUS DE 30 SECONDES, LE PANIER À FILTRE POURRAIT DÉBORDER.

❑ Affichage numérique horloge/minuteur

L'horloge numérique de 24 heures intégrée sur le devant de la cafetière indiquera l'heure correcte même après que l'appareil a été éteint. Le minuteur peut être programmé jusqu'à 24 heures à l'avance pour commencer à préparer automatiquement du café frais et chaud. (Consultez la section « Délai du cycle de préparation ».)

❑ Regard de niveau d'eau

De gros chiffres faciles à lire indiquent combien de tasses d'eau ont été versées dans la cafetière.

❑ Voyant de fonctionnement

Le voyant de fonctionnement vous permet de savoir quand la cafetière est allumée pour votre sécurité.

❑ Sélecteur de force du café

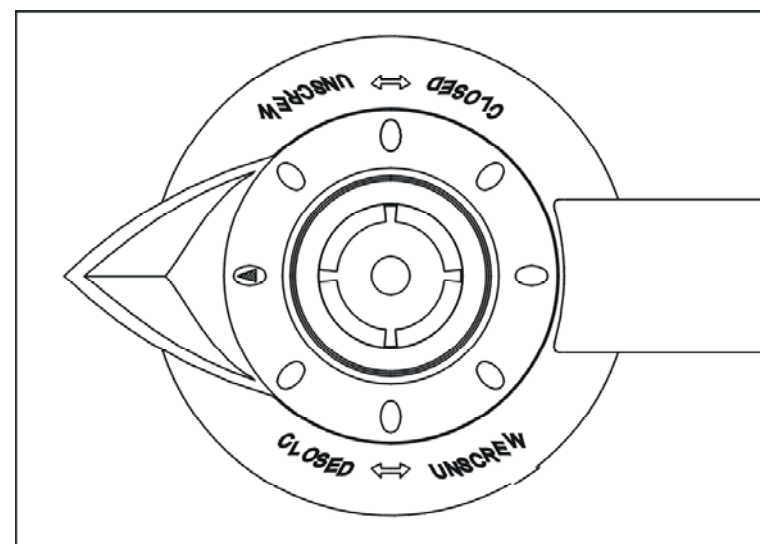
Ce sélecteur peut rendre le café plus délicieux. Cette option est particulièrement utile lorsque vous préparez moins d'une verseuse entière de café.

❑ Verseuse isolante

Le couvercle de la verseuse isolante possède trois positions. Vous pouvez voir les repères sur le bord du couvercle.

1. Pendant la préparation, la flèche devrait toujours être dirigée vers la position fermée (Close). Même après la préparation du café, il est recommandé de laisser le couvercle en position fermée pour maintenir la température du café.

2. Lorsque la flèche est dirigée vers le centre du bec verseur, le couvercle est en position de versement.



3. Pour retirer le couvercle, placez la flèche vers la position dévissée (Unscrew).

❑ Rangement du cordon

Le cordon peut être rangé hors de vue et donner à la cafetière une apparence soignée.

❑ Panier escamotable

La porte du filtre s'ouvre en poussant un bouton pour faciliter le remplissage du filtre.

☐ **Panier noir doublé à cornet-filtre**

Le panier à filtre conique enrichit l'arôme et empêche l'amertume. Cette cafetière possède un filtre permanent en nylon. Un cornet-filtre en papier ordinaire n° 4 peut également être utilisé.

UTILISATION DES COMMANDES DE VOTRE CAFETIÈRE

- ☐ **Affichage numérique horloge/minuteur** - Horloge avec indicateur AM/PM.
- ☐ **Avancée des heures** - Ce bouton fait avancer l'affichage des heures pour l'horloge et le minuteur. Consultez la section « Réglage de l'horloge » pour son utilisation.
- ☐ **Avancée des minutes** - Ce bouton fait avancer l'affichage des minutes pour l'horloge et le minuteur. Consultez la section « Réglage de l'horloge » pour son utilisation.
- ☐ **Programmation** - Ce bouton vous permet de programmer la cafetière jusqu'à 24 heures avant l'heure désirée de préparation. Consultez la section « Délai du cycle de préparation » pour son utilisation.
- ☐ **Voyant de fonctionnement** - Ce bouton indique que la cafetière est sous tension et qu'elle se trouve dans une phase de fonctionnement normal.
- ☐ **Voyant de démarrage automatique** - Ce bouton indique que la cafetière est en phase de délai du cycle de préparation et attend l'heure réglée de préparation.
- ☐ **Bouton de fonctionnement** - Ce bouton commande trois modes de fonctionnement : MARCHE/ARRÊT/AUTO. Le mode ARRÊT n'a pas de voyant lumineux. Appuyez une fois pour le mode AUTO, deux fois pour le mode MARCHE et une troisième fois pour éteindre l'appareil.

RÉGLAGE DE L'HORLOGE

Pour régler l'heure, enfoncez d'abord le bouton d'avancée des heures jusqu'à ce que l'affichage correct des heures soit obtenu. Puis, enfoncez le bouton d'avancée des minutes jusqu'à ce que l'affichage correct des minutes soit obtenu. Utilisez l'indicateur AM/PM dans le coin gauche de l'affichage numérique pour régler correctement l'heure.

REMARQUE : L'horloge affichera 12:00 après le débranchement de la



cafetière.

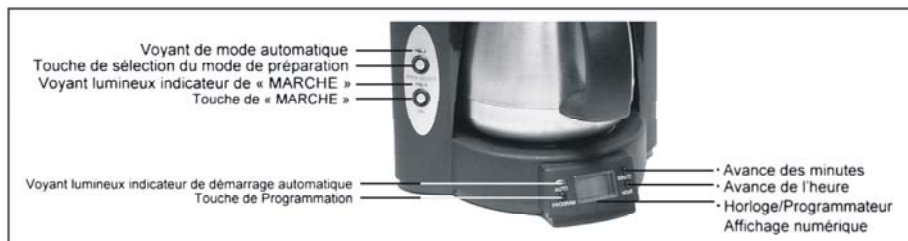
DÉLAI DU CYCLE DE PRÉPARATION

Pour régler votre cafetière pour qu'elle prépare plus tard du café, vérifiez d'abord que l'heure correcte est affichée. Consultez la section « Réglage de l'heure ».

Enfoncez le bouton de programmation (Program) tout en enfonceant le bouton d'avancée des heures jusqu'à ce que l'affichage des heures désiré pour la préparation du café soit obtenu. Puis, sans relâcher le bouton de programmation, enfoncez le bouton d'avancée des minutes jusqu'à ce que l'affichage des minutes désiré soit obtenu. Les indicateurs AM et PM se trouvent dans le coin gauche de l'affichage numérique. Relâchez le bouton de sélection de la force du café.

Enfoncez une fois le bouton de sélection de la force du café. Le voyant de démarrage automatique s'allume, indiquant que la cafetière attend l'heure programmée de préparation du café pour commencer le cycle de préparation.

Remarque : Si le bouton de fonctionnement (ON) est enfoncé une fois pour le mode AUTO avec la programmation de l'heure avec le bouton de programmation, la fonction de sélection de la force du café NE SERA PAS enclenchée.



UTILISATION DE VOTRE CAFETIÈRE

PRÉPARATION DE VOTRE CAFETIÈRE POUR L'UTILISER

- ❑ Déballez soigneusement la cafetière et retirez-en tous les matériaux d'emballage.
- ❑ Avant de faire du café dans votre cafetière, lavez bien à l'eau tiède savonneuse la verseuse, son couvercle et le panier à filtre. Rincez et séchez. N'utilisez pas de produits de nettoyage rêches ou abrasifs.
- ❑ Vous pouvez essuyer la plaque de la verseuse avec un chiffon propre et humide, mais ne plongez pas la cafetière dans l'eau ou dans un autre liquide.
- ❑ Avant de préparer votre première tasse de café, faites fonctionner une ou deux fois la cafetière avec de l'eau mais sans café moulu ni filtre en papier. Cela éliminera toute la poussière qui aurait pu s'accumuler dans la cafetière et qui pourrait nuire à l'arôme du café.

IMPORTANT : Pour de meilleurs résultats, utilisez de l'eau froide.

PRÉPARATION DE LA CAFETIÈRE POUR FAIRE DU CAFÉ

- ❑ Placez votre cafetière sur une surface horizontale et plate, loin d'un rebord.
- ❑ Branchez l'appareil dans une prise de courant alternatif de 120 V et 60 Hz uniquement.

- ❑ Le couvercle de la verseuse doit être placé correctement sur la verseuse pendant la préparation du café et la verseuse doit reposer sur la plaque de la verseuse.
- ❑ La porte du panier à filtre doit être bien fermée pendant la préparation du café.

ATTENTION : Si la porte du panier à filtre n'est pas complètement fermée, la fonction Pauser et Servir ne fonctionnera pas bien et l'eau chaude ou le café chaud pourrait déborder.

Remplissage du réservoir d'eau

- ❑ Ouvrez le couvercle articulé du réservoir d'eau sur le dessus de la cafetière. Remplissez la verseuse en verre du volume voulu d'eau froide (Fig. 1). Versez l'eau de la verseuse dans le réservoir d'eau. Le regard de niveau d'eau indique la quantité d'eau dans le réservoir. Fermez le couvercle articulé. Placez la verseuse avec son couvercle en place sur la plaque de la verseuse.

REMARQUE : La quantité de café préparé sera toujours légèrement inférieure à la quantité d'eau versée dans la cafetière car le café moulu et le filtre absorbent un peu d'eau. Ajoutez un peu d'eau supplémentaire au début pour obtenir le nombre exact désiré de tasses.

MISE EN PLACE DU CAFÉ MOULU

- ❑ Ouvrez la porte du panier à filtre vers la droite. Retirez le panier à filtre en le soulevant. Le filtre permanent fourni peut être utilisé avec ou sans filtre en papier. Avec un filtre en papier, placez un cornet-filtre n° 4 dans le panier à filtre avant de le remplir de café moulu. Remplissez le filtre de la quantité nécessaire de café moulu (Fig. 2). Après la préparation, videz le filtre du café moulu et rincez bien à l'eau.

- Remplissez le filtre de la quantité désirée de café moulu. Selon les normes de l'industrie du café, utilisez une mesure nominale de café (2 cuillerées à soupe rases) de café moulu pour six onces d'eau. Après plusieurs utilisations de votre cafetière, vous pouvez augmenter ou diminuer la quantité de café moulu selon votre goût.

REMARQUE : Veillez à utiliser du café moulu préparé spécialement pour les cafetières automatiques goutte-à-goutte.

- Remplacez le panier à filtre avec le filtre rempli dans la porte. Veillez à ce que le panier à filtre soit bien inséré dans la porte. Refermez bien la porte.

ATTENTION : N'utilisez pas votre cafetière si la porte n'est pas bien fermée. Si la porte ne ferme pas bien, vérifiez-la pour voir si le panier à filtre est bien inséré et refermez la porte.

- Appuyez sur l'interrupteur. Le voyant de fonctionnement s'allume pour indiquer que la cafetière commence le cycle de préparation.
- Dans quelques minutes, la cafetière aura terminé le cycle de préparation puis s'éteindra. La verseuse isolante maintiendra la température du café.

CONSEILS POUR UN BON CAFÉ

- La propreté de la cafetière est essentielle au goût du café. Un nettoyage régulier, comme le décrit « Nettoyage de votre cafetière », est fortement recommandé.
- Utilisez toujours de l'eau douce froide dans votre cafetière.
- Un café à mouture fine permet une extraction plus poussée et donne un café riche en goût. Une mouture ordinaire exigera légèrement plus de café moulu par tasse pour donner la force d'une mouture plus fine.
- Rangez le café moulu dans un endroit sec et frais. Une fois ouvert, conservez le café dans un récipient fermé et étanche pour en préserver la fraîcheur.
- Pour un café optimal, achetez des grains de café et moulez-les juste avant de préparer le café.
- Ne réutilisez le café moulu car cela nuira considérablement au goût du

café.

- Il n'est pas recommandé de réchauffer le café. Le goût du café est meilleur immédiatement après sa préparation.
- De petites gouttes d'huile sur la surface du café noir sont dues à l'extraction de l'huile des grains de café. Les cafés plus fortement torréfiés peuvent produire plus d'huile. Une extraction excessive peut également donner de l'huile, indiquant alors le besoin de nettoyer votre cafetière.

NETTOYAGE DE VOTRE CAFETIÈRE

ATTENTION : Veillez toujours à ce que la cafetière soit débranchée avant d'essayer de la nettoyer. Pour vous protéger des électrocutions, ne plongez pas le cordon, la fiche ou la cafetière dans l'eau ou dans un autre liquide.

- L'extérieur de votre cafetière peut être nettoyé en essuyant la surface avec un chiffon doux et humide.

IMPORTANT : Ne plongez jamais la cafetière dans l'eau ou dans un autre liquide.

- Nettoyez l'intérieur de la verseuse avec une débarbouillette et de l'eau savonneuse. N'utilisez pas de produits abrasifs ni de tampons à récurer sur la verseuse.
- Le couvercle de la verseuse et le panier à filtre amovible peuvent être lavés à l'eau tiède et savonneuse ou au lave-vaisselle dans le panier supérieur. Ne placez aucune autre pièce de la cafetière dans le lave-vaisselle.
- Pour laver le filtre permanent, videz-en le café moulu et rincez-le bien.
- Ne nettoyez pas l'intérieur du réservoir d'eau avec un chiffon car le chiffon peut avoir des peluches qui pourraient boucher la cafetière.
- Pour les tâches coriaces, utilisez un tampon en nylon ou en plastique avec un produit de nettoyage non abrasif. N'utilisez pas de tampons métalliques ni de produits de nettoyage abrasifs.

- Des dépôts de calcium peuvent s'accumuler dans la cafetière en raison des minéraux qui se trouvent généralement dans l'eau potable.
L'accumulation est normale et la préparation du café peut en être ralenti.
Ce problème peut être corrigé en décalcifiant régulièrement la cafetière.
- Pour décalcifier la cafetière, remplissez la verseuse d'eau froide et de deux cuillerées à soupe de vinaigre blanc. Versez la solution dans le réservoir d'eau, puis fermez le couvercle. Placez la verseuse sur la plaque de la verseuse et faites fonctionner la cafetière avec la solution de vinaigre. N'utilisez pas de filtre dans le panier filtre pendant la décalcification. Lorsque toute la solution de vinaigre se trouve dans la verseuse, videz-la et rincez-la à l'eau froide. Remplissez d'eau froide le réservoir d'eau et faites fonctionner de nouveau la cafetière pour éliminer toute trace de la solution de vinaigre. Répétez la dernière procédure si nécessaire.

Free Manuals Download Website

<http://myh66.com>

<http://usermanuals.us>

<http://www.somanuals.com>

<http://www.4manuals.cc>

<http://www.manual-lib.com>

<http://www.404manual.com>

<http://www.luxmanual.com>

<http://aubethermostatmanual.com>

Golf course search by state

<http://golfingnear.com>

Email search by domain

<http://emailbydomain.com>

Auto manuals search

<http://auto.somanuals.com>

TV manuals search

<http://tv.somanuals.com>